

Body

450 Compartments

BATTERY

With: STD. _____ 1

HEAVY DUTY

With: OPTION 0156 _____ 2

SLIDING

*With: OPTION 0153
From BSN 10082595 8/8/05* _____ 3

LUGGAGE

DOUBLE

*With: OPTION 0168, 0169, 0174, 0175
From BSN 001549 185594 265588 365714* _____ 4

LIGHTS

With: OPTION 0165-01, 02 _____ 5

PASS-THRU

With: OPTION 0180-01,180-02, 180-03, 0180-04, 0180-05 _____ 6

With: OPTION 0183 _____ 7

_____ 8

SINGLE

With: OPTION 0184 _____ 9

OVERHEAD EMERGENCY EQUIPMENT COMPARTMENT

LOCKING

With: OPTION 0162 _____ 10

NON-LOCKING

With: OPTION 0161 _____ 11

TIRE

COMPARTMENT

With: OPTION 0185, 0187 _____ 12

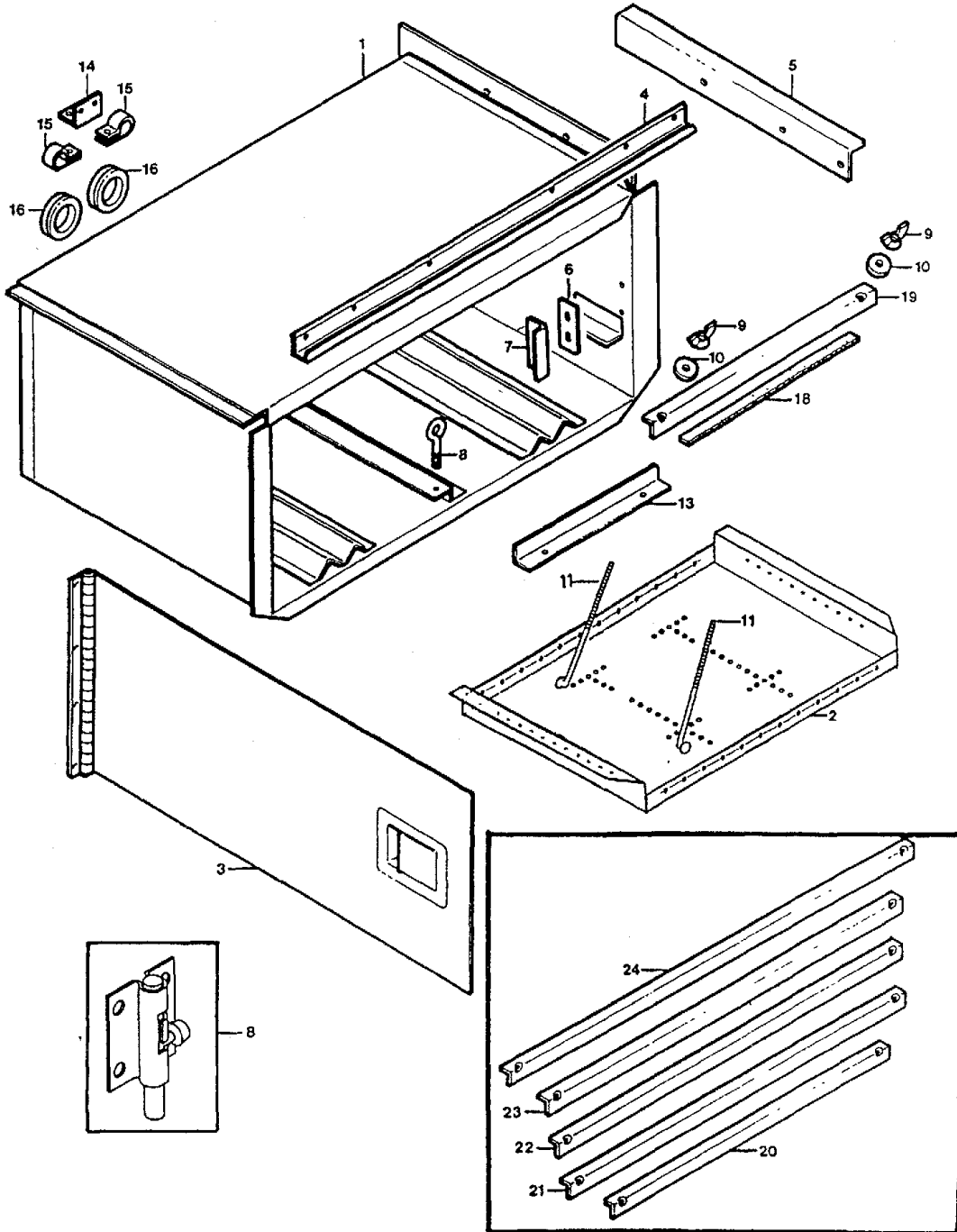
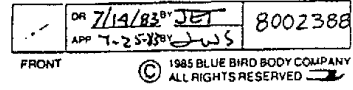
TOOL

*With: OPTION 0194, 195
From BSN 011286 361175 GMCV 011438* _____ 13

BOX, LOCKING, UNDER SEAT
With: OPTION 3205

Models: AAFE, A3FE, A3RE, C1FE, C3FE, CSFE, TCFE, TCRE, TSFE
 With Features: BATTERY STD.

| Key | PartNumber | Qty | Description | Comment |
|-----|------------|-----|-------------|---------|
|-----|------------|-----|-------------|---------|



Models: AAFE, A3FE, A3RE, C1FE, C3FE, CSFE, TCFE, TCRE, TSFE
With Features: BATTERY STD.

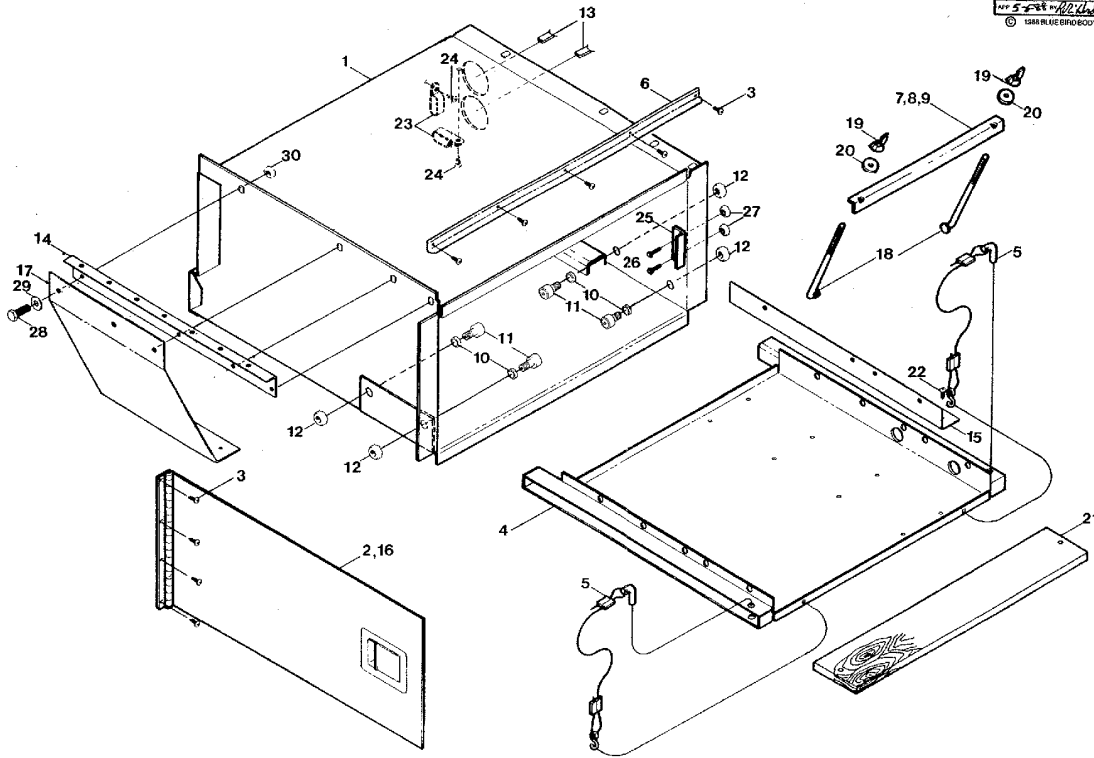
| Key | PartNumber | Qty | Description | Comment |
|-----|------------|-----|---|---|
| 1 | 0008856 | | BOX ASSY,SLIDING BATTERY,26 WIDTH, | |
| 1 | 0008857 | | BOX ASSY,SLIDING BATTERY,LH,FRONT,CV | ENDING WITH BSN FE 30061805, RE 10061810 |
| 2 | 1162023 | | TRAY,BATTERY BOX | |
| 3 | 1651777 | | PANEL ASSY,DOOR,SLIDING BAT BOX CMPT, | ENDING WITH BSN 0018804, 188870, 256957, 369411 LOCK NOT INCLUDED |
| 3 | 1651777 | | PANEL ASSY,DOOR,SLIDING BAT BOX CMPT, | ENDING WITH BSN 0018804, 188870, 256957, 369411 LOCK NOT INCLUDED |
| 3 | 1839885 | | PANEL,DOOR,SLIDING BATTERY BOX,E-COAT | BEGIN WITH BSN 0018805, 188871, 256958, 369412 |
| NI | 1842228 | 2 | HINGE GUIDE | BEGIN WITH BSN 0018805, 188871, 256958, 369412 |
| NI | 1842582 | 2 | PIN HINGE | BEGIN WITH BSN 0018805, 188871, 256958, 369412 |
| NI | 1842541 | 4 | SCREW,12-14 X 1,AB,PH1,PAN HD,YELLOW | BEGIN WITH BSN 0018805, 188871, 256958, 369412 |
| NI | 1651868 | | LATCH,BATTERY BOX,PUNCHED,PRIMED | 3 5/8 X 4 11/16 |
| NI | 1651835 | | LATCH,LOCK,W/SPLIT GASKET,PUNCHED, | WITH DUST SHUTTER & KEYS OPTION 0198 WITH KEYS |
| NI | 0848747 | | KEY,LL-25,LOCKING COMPARTMENTS | KEY |
| 4 | 0879676 | | MOLDING,DRIP,26,SLIDING BAT CMPT,PRIMED | |
| 5 | 0307017 | | ANGLE,MTG,26IN WIDTH SLIDING BATTERY | |
| 6 | 0525618 | | SPACER,STRIKER,LUGGAGE & TIRE | |
| 7 | 0332544 | | PLATE,STRIKER,TIRE COMPARTMENT | |
| 8 | 2000388 | | BOLT,EYE,BATTERY BOX TRAY,1/4 X 2" | |
| 8 | 1422500 | | LATCH,BOLT,BARREL,SOUTH CAROLINA | OPTION 7365 |
| N | 1458843 | | BOLT & CABLE ASSY,RETAINER,BATTERY TRAY | OPTION 157 |
| 9 | 2001444 | 2 | NUT,WING,5/16-18,YEL ZN DICH | |
| 10 | 2001055 | 2 | WASHER,FLAT,11/32 X 1 1/4 X 5/32,YEL ZN | |
| 11 | 0885236 | 2 | BOLT,BATTERY TIE DOWN | |
| 12 | | | NOT APPLICABLE | |
| 13 | 0233387 | | ANGLE,LWR,BATTERY STOP | |
| 14 | 0970269 | | ANGLE,CABLE CLAMP,SLIDING BATTERY CMPT | |
| 15 | 0557710 | | CLAMP,LOOP,.812 | |
| 16 | 0421792 | 2 | GROMMET,1 3/4 X 1/16 X 1 1/2 | |
| 17 | | | NOT APPLICABLE | |
| 18 | 2003101 | | RUBBER,SPONGE,3/16 X 1/2 WITH PSA | |

Models: AAFE, A3FE, A3RE, C1FE, C3FE, CSFE, TCFE, TCRE, TSFE
With Features: BATTERY
 STD.

| Key | PartNumber | Qty | Description | Comment |
|-----|------------|-----|-------------------------------------|----------------------|
| 19 | 1141779 | | ANGLE,BAT CLAMPING,FINISHED,15 3/4, | |
| 20 | 1142199 | | ANGLE,BAT CLAMPING,FINISHED,19 1/2 | |
| 21 | 1142173 | | ANGLE,BAT CLAMPING,FINISHED,23 1/2 | |
| 22 | 1142165 | | ANGLE,BAT CLAMPING,FINISHED,24 1/4 | |
| 23 | 1142165 | | ANGLE,BAT CLAMPING,FINISHED,24 1/4 | <i>SAME AS ABOVE</i> |
| 24 | 1142181 | | ANGLE,BAT CLAMPING,FINISHED,28 1/4 | |
| NI | 1162015 | | ANGLE,BAT CLAMPING,FINISHED,15 3/4 | |

Models: AAFE, A3FE, A3RE, BBCV, C1FE, C3FE, CSFE, CSRE, SBCV, T2RE, TCFE, TSFE
BATTERY
HEAVY DUTY
With Features: OPTION 0156

| Key | PartNumber | Qty | Description | Comment |
|-----|------------|-----|-------------|---------|
|-----|------------|-----|-------------|---------|



Models: **AAFE, A3FE, A3RE, BBCV, C1FE, C3FE, CSFE, CSRE, SBCV, T2RE, TCFE, TSFE**

With Features: **BATTERY
HEAVY DUTY
OPTION 0156**

| Key | PartNumber | Qty | Description | Comment |
|-----|------------|-----|--|---|
| 1 | 0035824 | | BOX ASSY,BATTERY,HEAVY DUTY | <i>ALL EXCEPT 8.1 A3 AND CV</i> |
| 1 | 0035826 | | BOX ASSY,BATTERY,HEAVY DUTY,8.1, A3 | |
| 1 | 0035827 | | BOX ASSY,BATTERY,HEAVY DUTY,CV | |
| 2 | | | DOOR ASSY., NON-LOCKING, HEAVY DUTY BOX | <i>LOCK NOT INCLUDED</i> |
| NI | 1651710 | | PANEL ASSY,DOOR,BATTERY BOX | <i>ENDING WITH BSN 0018804, 188870, 256958, 369411</i> |
| NI | | | PANEL ASSY,DOOR,BATTERY BOX | <i>BEGIN WITH BSN 0018805, 188871, 256959, 369412 NO LONGER AN ASSEMBLY</i> |
| NI | 1839851 | | PANEL,DOOR,BATTERY BOX,HEAVY DUTY,E- | |
| NI | 1842228 | | HINGE GUIDE | |
| NI | 1842582 | | PIN HINGE | |
| NI | 1842541 | | SCREW,12-14 X 1,AB,PH1,PAN HD,YELLOW | |
| NI | 1651884 | | LATCH,BATTERY BOX,PUNCHED E-COAT | |
| 3 | 2000024 | 9 | SCREW,1/4-14 X 3/4,B,HEX HD,YEL ZN DICH | |
| 4 | 0022924 | | TRAY ASSY,BATTERY BOX,HEAVY DUTY | <i>STANDARD</i> |
| 4 | 0049206 | | TRAY ASSY,BATTERY BOX,HEAVY DUTY,SS, | |
| 5 | 1159532 | 2 | PIN & CABLE ASSY,RETAINER BATTERY TRAY | |
| 6 | 1647908 | | MOLDING,DRIP,BATTERY COMPARTMENT,26,E- | |
| 7 | 1582683 | | ANGLE,BATTERY CLAMPING,FINISHED,24.50 | |
| 8 | 1374545 | | ANGLE,BAT CLAMPING,FINISHED,16.33 | |
| 10 | 1071992 | 4 | BUSHING,SMALL CAM FOLLOWER,WLFC | |
| 11 | 1072263 | 4 | BEARING,CAM FOLLOWER,RBC H-32 L | |
| 12 | 2001501 | 4 | NUT,HEX HD,FINISH,5/8-18,YEL ZN DICH | |
| 13 | 1489434 | 18 | TRIM,VINYL,BLACK,DOUBLE LIP | |
| 14 | 1357227 | | ANGLE,MTG,TOOL BOX,LH | |
| NI | 0079064 | | BRACE,BOX,BATTERY,HD,35 SECT,PAINTED, CV | |
| 15 | 1374487 | | ANGLE,SUPPORT,BATTERY,HEAVY DUTY | |
| 16 | 1465624 | | DOOR ASSY,LOCKING,BATTERY CMPT,AARE | |
| NI | 1055284 | | LATCH,LOCK,W/DUST SHUTTER | <i>OPTION 0198 WITH KEYS. INCLUDED WITH ITEM 16</i> |
| NI | 0848747 | | KEY,LL-25,LOCKING COMPARTMENTS | <i>KEY</i> |
| 17 | 1378330 | | BRACE,BATTERY BOX,HEAVY DUTY,35 SECTION | |
| 18 | 1091248 | 2 | BOLT,BATTERY TIE DOWN,5/16-18 X 8 ZINC | |
| 18 | 0885236 | 2 | BOLT,BATTERY TIE DOWN | |
| 19 | 2001444 | 2 | NUT,WING,5/16-18,YEL ZN DICH | |

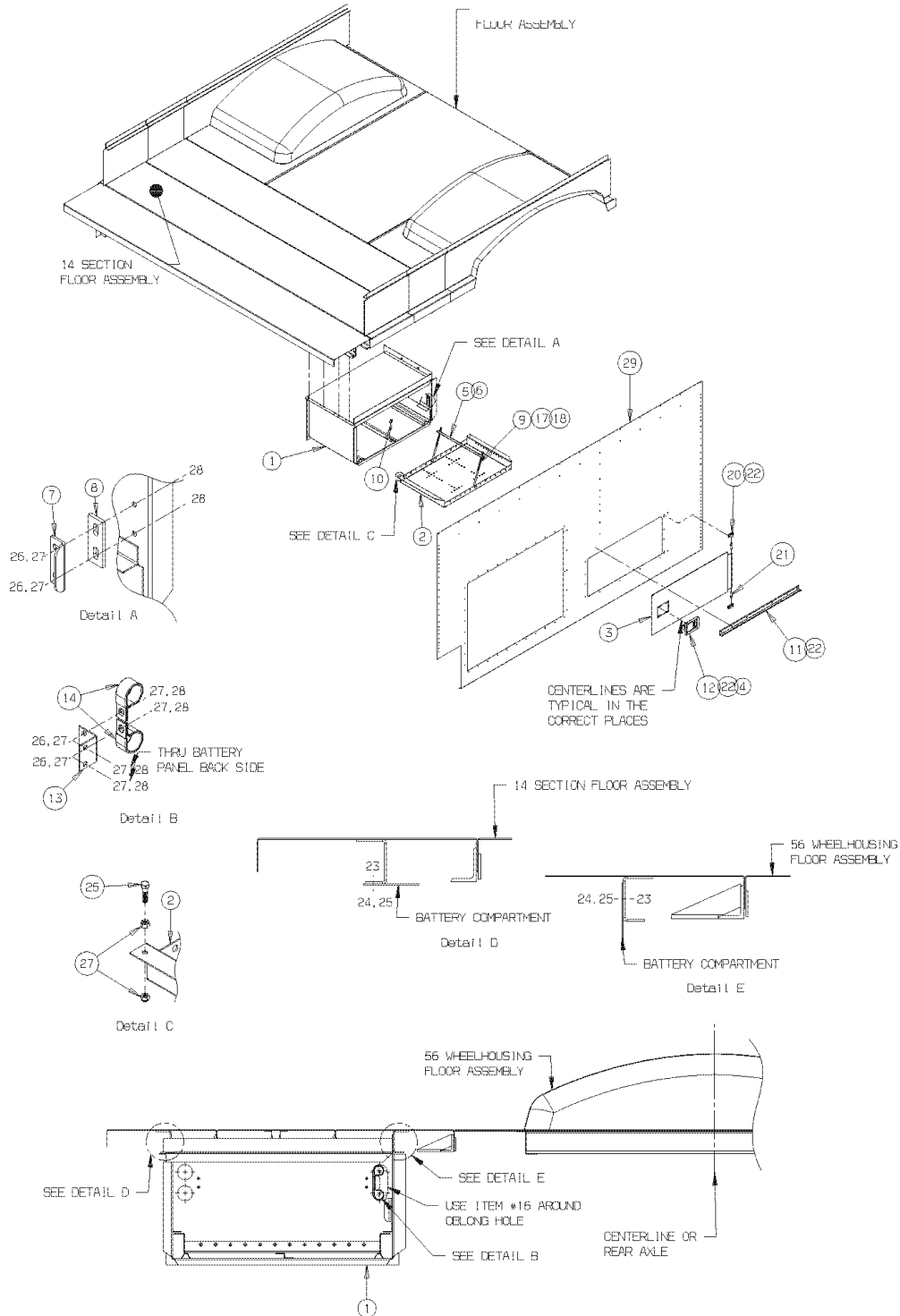
Models: AAFE, A3FE, A3RE, BBCV, C1FE, C3FE, CSFE, CSRE, SBCV, T2RE, TCFE, TSFE

With Features: BATTERY
HEAVY DUTY
OPTION 0156

| Key | PartNumber | Qty | Description | Comment |
|-----|------------|-----|---|---------|
| 20 | 2001055 | 2 | WASHER,FLAT,11/32 X 1 1/4 X 5/32,YEL ZN | |
| 21 | 1146778 | | PANEL,SPACER,BATTERY,ROLL OUT | |
| 22 | 2000669 | 4 | SCREW,1/4-14 X 3/4,TYP1,PH1,OVAL CNSK,YEL | |
| 23 | 2021541 | 2 | CLAMP,LOOP,.687 X 1.374 | |
| 24 | 1268119 | 2 | SCREW,1/4-20X1/2,F,PH1,PAN HD,YEL ZN DICH | |
| 25 | 1418201 | | PLATE,STRIKER,BATTERY CMPT,BAT DISC SW | |
| 26 | 0962753 | 2 | CAPSCREW,HEX HD,1/4-28,X,1,,GR5,YELDICH | |
| 27 | 1039262 | 2 | NUT,HEX HD,1/4-20,LOCK,ZINC | |
| 28 | 0610725 | 8 | CAPSCREW,HEX HD,5/16-18X1 1/4,GR8, | |
| 29 | 2001048 | 8 | WASHER,FLAT,11/32 X 11/16 X 1/16,YEL | |
| 30 | 1465954 | 8 | NUT,HEX HD,5/16-18,LK,NYLON INSERT,YEL | |

Models: **A3RE
BATTERY
SLIDING**
With Features: **OPTION 0153**
BSN: **From BSN 10082595 8/8/05**

| Key | PartNumber | Qty | Description | Comment |
|-----|------------|-----|-------------|---------|
|-----|------------|-----|-------------|---------|



Models: A3RE
BATTERY
SLIDING
With Features: OPTION 0153
BSN: From BSN 10082595 8/8/05

| Key | PartNumber | Qty | Description | Comment |
|-----|------------|-----|---|----------------------------------|
| 1 | 0008857 | | BOX ASSY,SLIDING BATTERY,LH,FRONT,CV | |
| 2 | 1162023 | | TRAY,BATTERY BOX | |
| 3 | 1839885 | | PANEL,DOOR,SLIDING BATTERY BOX,E-COAT | |
| 4 | 0848747 | | KEY,LL-25,LOCKING COMPARTMENTS | KEY, LL-25, LOCKING COMPARTMENTS |
| 5 | 1162015 | | ANGLE,BAT CLAMPING,FINISHED,15 3/4 | |
| 6 | 2003101 | | RUBBER,SPONGE,3/16 X 1/2 WITH PSA | |
| 7 | 1418201 | | PLATE,STRIKER,BATTERY CMPT,BAT DISC SW | BATTERY DISC SW OPTION |
| 8 | 0525618 | | SPACER,STRIKER,LUGGAGE & TIRE | |
| 9 | 0885236 | 2 | BOLT,BATTERY TIE DOWN | |
| 10 | 2000388 | | BOLT,EYE,BATTERY BOX TRAY,1/4 X 2" | |
| 11 | 1647700 | | MOLDING,DRIP,26,SLIDING BAT CMPT,E-COAT | |
| 12 | 1651884 | | LATCH,BATTERY BOX,PUNCHED E-COAT | |
| 12 | 1651850 | | LATCH,LOCK,W/SPLIT GASKET,PUNCHED,E- | |
| 13 | 0970269 | | ANGLE,CABLE CLAMP,SLIDING BATTERY CMPT | |
| 14 | 0557710 | 2 | CLAMP,LOOP,.812 | |
| 15 | 1244128 | 2 | CAP,PLUG,1 3/4,DIA HOLE | |
| 16 | 1489434 | | TRIM,VINYL,BLACK,DOUBLE LIP | |
| 17 | 2001055 | 2 | WASHER,FLAT,11/32 X 1 1/4 X 5/32,YEL ZN | |
| 18 | 2001444 | 2 | NUT,WING,5/16-18,YEL ZN DICH | |
| 19 | 1465954 | 7 | NUT,HEX HD,5/16-18,LK,NYLON INSERT,YEL | |
| 20 | 1842228 | 2 | HINGE GUIDE | |
| 21 | 1842582 | 2 | PIN HINGE | |
| 22 | 1842541 | 14 | SCREW,12-14 X 1,AB,PH1,PAN HD,YELLOW | |
| 23 | 0069811 | 4 | INSERT,THREAD,BLIND,5/16-18 | |
| 24 | 2001048 | 18 | WASHER,FLAT,11/32 X 11/16 X 1/16,YEL | |
| 25 | 0610725 | 11 | CAPSCREW,HEX HD,5/16-18X1 1/4,GR8, | |
| 26 | 0977132 | 8 | CAPSCREW,HEX HD,1/4-20 X 3/4,GR 5,YEL | |
| 27 | 1247709 | 10 | WASHER,FLAT,17/64 ID X,5/8,YEL ZN DICH | |
| 28 | 0659979 | 10 | NUT,HEX,FLANGE SER,1/4-20,BLACK ZINC | |
| 29 | 0094886 | | PANEL,O/SS,RR,25.75 SK,16GA,RH,S/O BOX, | |
| 29 | 0094887 | | PANEL,O/SS,RR,25.75SK,16GA,RH,SED,S/BX, | |
| 29 | 0094888 | | PANEL,O/SS,RR,19.75 SK,16GA,RH,S/O BOX, | |
| 29 | 0094889 | | PANEL,O/SS,RR,19.75SK,16GA,RH,SED,S/BX, | |

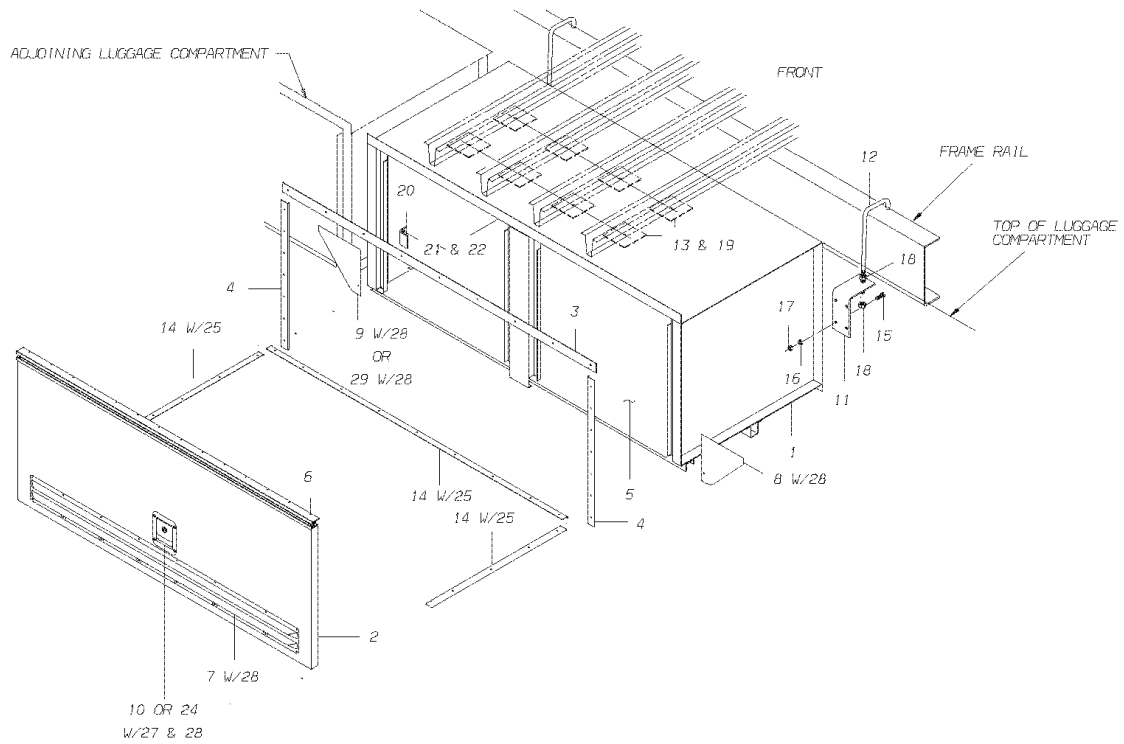
Models: AAFE, AARE, A3FE, A3RE, BBCV, GMCV, GPWB, MBWB, SBCV, TCPE, TCRE

LUGGAGE
DOUBLE

With Features: OPTION 0168, 0169, 0174, 0175

BSN: From BSN 001549 185594 265588 365714

| Key | PartNumber | Qty | Description | Comment |
|-----|------------|-----|-------------|---------|
|-----|------------|-----|-------------|---------|



Models: AAFE, AARE, A3FE, A3RE, BBCV, GMCV, GPWB, MBWB, SBCV, TCPE, TCRE
LUGGAGE
DOUBLE
With Features: OPTION 0168, 0169, 0174, 0175
BSN: From BSN 001549 185594 265588 365714

| Key | PartNumber | Qty | Description | Comment |
|-----|------------|-----|---|---|
| 1 | 1822998 | | COMPARTMENT ASSY,LUG,DBL,19 H X 74 L, 28 | OPTION 0168. ENDING 12-5-04 |
| 1 | 1822980 | | COMPARTMENT ASSY,LUG,DBL,19 H X 74 L, 25 | OPTION 0168 |
| 1 | 1808609 | | COMPARTMENT ASSY,LUG,DBL,22 H X 97 L X 28 | OPTION 0169. ENDING 12-5-04 |
| 1 | 1808591 | | COMPARTMENT ASSY,LUG,DBL,22 H X 97 L X 25 | OPTION 0169 |
| 1 | 1808583 | | COMPARTMENT ASSY,LUG,DBL,22 H X 82 L X 28 | OPTION 0174. ENDING 12-5-04 |
| 1 | 1808575 | | COMPARTMENT ASSY,LUG,DBL,22 H X 82 L X 25 | OPTION 0174 |
| 1 | 1808542 | | COMPARTMENT ASSY,LUG,DBL,16 H X 82 L X 28 | OPTION 0175. ENDING 12-5-04 |
| 1 | 1808534 | | COMPARTMENT ASSY,LUG,DBL,16 H X 82 L X 25 | OPTION 0175 |
| 2 | 1826486 | 2 | DOOR & HINGE ASSY,LUG,19HX35,16.25&19.75 | OPTION 0168 WITHOUT OPTION 2383 OR 2385 |
| 2 | 1826502 | 2 | DOOR & HINGE ASSY,LUG,19HX35,23.25 SKIRT | OPTION 0168 WITHOUT OPTION 2383 OR 2385 |
| 2 | 1809136 | 2 | DOOR & HINGE ASSY,LUG,22HX46,16.25 SKIRT | OPTION 0169 |
| 2 | 1809169 | 2 | DOOR & HINGE ASSY,LUG,22HX46,19.75 SKIRT | OPTION 0169 |
| 2 | 1809433 | 2 | DOOR & HINGE ASSY,LUG,22HX46,25.75 SKIRT | OPTION 0169 |
| 2 | 1920792 | 2 | DOOR & HINGE ASSY,LUG,22H X 46,25.75 | OPTION 0169. CS UNITS ONLY |
| 2 | 1809128 | 2 | DOOR & HINGE ASSY,LUG,22HX38,16.25 SKIRT | OPTION 0174 |
| 2 | 1809425 | 2 | DOOR & HINGE ASSY,LUG,22HX38,25.75 SKIRT | OPTION 0174 |
| 2 | 1809151 | 2 | DOOR & HINGE ASSY,LUG,22HX38,19.75 SKIRT | OPTION 0174 |
| 2 | 1920784 | 2 | DOOR & HINGE ASSY,LUG,22H X 38,25.75 | OPTION 0174 CS UNITS ONLY |
| 2 | 1809086 | 2 | DOOR & HINGE ASSY,LUG,16HX38,16.25&19.75 | OPTION 0175 |
| 3 | 1796051 | | TRIM,OUTER SKIN,HORIZONTAL,LUG | 76.88, WITH OPTION 0168 |
| 3 | 1796069 | | TRIM,OUTER SKIN,HORIZONTAL,LUG | 99.75, WITH OPTION 0169 |
| 3 | 1796077 | | TRIM,OUTER SKIN,HORIZONTAL,LUG | 84.26, WITH OPTION 0174 & 0175 |
| 4 | 1764430 | 2 | TRIM,OUTER SKIN,VERTICAL,LUG CMPT,20.00 | FROM BSN 185594, 265584, 365697 TO BSN 257160, 189131, 0019074, 369721 WITH OPTION 0168 |
| 4 | 1823061 | 2 | TRIM,OUTER SKIN,VERTICAL,LUG CMPT,20.50 | BEGIN WITH BSN 257161, 189132, 0019075, 369722 |
| 4 | 1764448 | 2 | TRIM,OUTER SKIN,VERTICAL,LUG CMPT,23.00 | 23" WITH OPTION 0169 & 0174 |
| 4 | 1764422 | | TRIM,OUTER SKIN,VERTICAL,LUG CMPT,17.00 | 17" WITH OPTION 0175 |
| 5 | 0854307 | AR | FLOOR COVERING,SMTH,BLK,RUBBER,.125 X | |
| 6 | 1200799 | AR | SCREW,10-24 X 3/8,T,PH1,PAN HD, YEL ZN | |
| 7 | 0309963 | 2 | RUB RAIL,NO 04, 28 3/4 IN | NUMBER 4, 28 3/4" WITH OPTION 0168 |
| 7 | 0309989 | 2 | RUB RAIL,NO 06, 42 3/4 IN | |

Models: AAFE, AARE, A3FE, A3RE, BBCV, GMCV, GPWB, MBWB, SBCV, TCPE, TCRE
LUGGAGE
DOUBLE
With Features: OPTION 0168, 0169, 0174, 0175
BSN: From BSN 001549 185594 265588 365714

| Key | PartNumber | Qty | Description | Comment |
|-----|------------|-----|--|--|
| 7 | 1809060 | 2 | RUB RAIL,LUG CMPT,38.50 | WITH OPTION 0174 & 0175 |
| 8 | 1544956 | | TRIM,SKIRT,LUG CMPT,19 HT,RH,16.25 SKIRT | FROM BSN 185594, 265584, 36569 TO BSN 257160, 189131, 0019074, 369721 WITH OTPION 0168 |
| 8 | 1826569 | | TRIM,SKIRT,LUG CMPT,19 HT,LH,16.25 SKIRT | BEGIN WITH BSN 257161, 189132, 0019075, 369722 |
| 8 | 1826585 | | TRIM,SKIRT,LUG CMPT,19 HT,RH,19.75 SKIRT | WITH OPTION 0168 |
| 8 | 1544279 | | TRIM,SKIRT,LUG CMPT,22 HT,RH,16.25 SKIRT | WITH OPTION 0169 & 0174 |
| 8 | 1325224 | | TRIM,SKIRT,22 HIGH LUGGAGE CMPT,RH | WITH OPTION 0169 & 0174 |
| 8 | 0325985 | | TRIM,SKIRT,16 1/4IN,LUG CMPT,FRONT | WITH OPTION 0175 |
| 9 | 1544949 | | TRIM,SKIRT,LUG CMPT,19 HT,LH,16.25 SKIRT | FROM BSN 185594, 265584, 365697 TO 257160, 189131, 0019074, 369721 WITH OPTION 0168 |
| 9 | 1826577 | | TRIM,SKIRT,LUG CMPT,19 HT,RH,16.25 SKIRT | BEGIN WITH BSN 257161, 189132, 0019075, 369722 WITH OPTION 0168 |
| 9 | 1325257 | | TRIM,SKIRT,19 HIGH LUGGAGE CMPT,LH | FROM BSN 185594, 265584, 365697 TO 257160, 189131, 0019074, 369721 WITH OPTION 0168 |
| 9 | 1826593 | | TRIM,SKIRT,LUG CMPT,19 HT,LH,19.75 SKIRT | BEGIN WITH BSN 257161, 189132, 0019075, 369722 WITH OPTION 0168 |
| 9 | 1544261 | | TRIM,SKIRT,LUG CMPT,22 HT,LH,16.25 SKIRT | WITH OPTION 0169 |
| 9 | 1325232 | | TRIM,SKIRT,22 HIGH LUGGAGE CMPT,LH | WITH OPTION 0169 & 0174 |
| 9 | 1544261 | | TRIM,SKIRT,LUG CMPT,22 HT,LH,16.25 SKIRT | WITH OPTION 0174 |
| 9 | 0325993 | | TRIM,SKIRT,16 1/4IN,LUG CMPT,REAR | WITH OPTION 0175 |
| 10 | 0058405 | 2 | LOCK,PADDLE HANDLE,LOCKING,E-COAT | |
| 10 | 2134468 | 2 | CYLINDER,PADDLE LOCK,KEYED LL-25 | KEYED, LL-25 |
| 10 | 4298956 | 2 | SEAL,RUBBER,LOCK CYLINDER,LUGG COMPT | |
| 10 | 4298964 | 2 | RETAINER,SPRING CLIP,LOCK CYL,LUGG | |
| 11 | 1677509 | 2 | ANGLE ASSY,SUPPORT,25 IN DEEP LUGGAGE | |
| 11 | 0524397 | 2 | ANGLE,SUPPORT,TIRE COMPARTMENT | |
| 12 | 0085877 | 2 | HANGER,FRAME,J-BOLT,LUGGAGE | |
| 13 | 1063114 | 8 | PLATE,SUPT,PUSH THROUGH | |
| 14 | 0802330 | 2 | TRIM,DRIVERS FLOOR | |
| 15 | 2028330 | 4 | CAPSCREW,HEX HD,3/8-24 X 1,GR5,YEL ZN | |

Models: AAFE, AARE, A3FE, A3RE, BBCV, GMCV, GPWB, MBWB, SBCV, TCPE, TCRE
LUGGAGE
DOUBLE
With Features: OPTION 0168, 0169, 0174, 0175
BSN: From BSN 001549 185594 265588 365714

| Key | PartNumber | Qty | Description | Comment |
|-----|------------|-----|--|---|
| 16 | 0882795 | 4 | LOCKWASHER,SPLIT RING,3/8,MED,YELLOW | |
| 17 | 2028223 | 4 | NUT,HEXHD,3/8-24,STD LGT,SEMI-FIN, | <i>STANDARD, LIGHT, SEMI-FIN.</i> |
| 18 | 2001485 | 4 | NUT,HEX HD,1/2-20,ZINC | |
| 19 | 2000073 | 8 | SCREW,1/4-20 X 1,D,HEX HD,YEL ZN DICH | |
| 20 | 0325910 | 4 | PLATE,STRIKER,LUGGAGE COMPARTMENT | |
| 20 | 0525618 | 4 | SPACER,STRIKER,LUGGAGE & TIRE | <i>REQUIRED TO ADJUST DOOR OPEN & SHUT FOR DOUBLE COMPARTMENT</i> |
| 21 | 0829317 | 8 | CAPSCREW,HEX FLG,5/16-18X1.25,GR5,SER, | |
| 22 | 0829390 | 8 | NUT,HEX HD,5/16-18,SER WASHER,YEL ZN | |
| 24 | 0948596 | 5 | LOCK ASSY,LUG&TIRE,NON-LOCKING | |
| 25 | 2000511 | 8 | SCREW,10-16 X 1/2,AB,PH1,TRUSS HD, | |
| 27 | 2051902 | | SEALANT,SILICONE,BLACK,CARTRIDGE | |
| 28 | 0948521 | | RIVET,.187 X .375,WAGON BX,SOLID,STL,ZN-NI | |
| 29 | 1802073 | | TRIM,SKIRT,DIVIDER,LUG CMPT | |
| NI | 1068501 | | SEAL,RUBBER,A/C HOOD TRIM | |
| 30 | 1167808 | | SCREW,1/4-14 X 3/4,AB,PH1,PAN HD,BLK ZN | |

Models: AAFE, AARE, A3FE, A3RE, BBCV, GMCV, GPWB, MBWB, SBCV, TCPE, TCRL

LUGGAGE

LIGHTS

With Features: OPTION 0165-01, 02

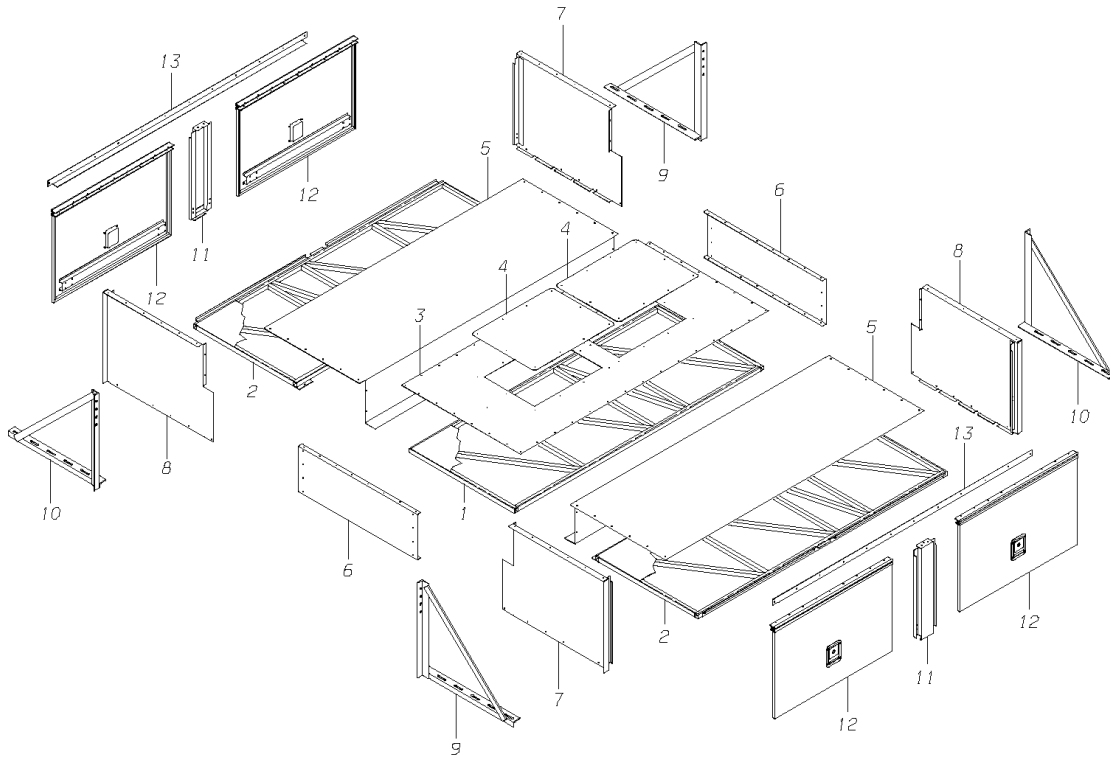
| Key | PartNumber | Qty | Description | Comment |
|-----|------------|-----|---------------------------------------|----------------------------------|
| | 1452952 | | LIGHT ASSY,LUGGAGE COMPARTMENT | <i>CONSISTS OF THE FOLLOWING</i> |
| | 0198374 | | BRACKET,ENG CMPT LIGHT | |
| | 1370048 | | LIGHT,STEPWELL,ENGINE COMPARTMENT | |
| | 1120765 | | SWITCH,2 POSN,ACCESSORY | |
| | 2007573 | | BULB,TS-93,15CP | |
| | 1073311 | 2 | NUT,PANEL,HEX HD,1/2-20,YEL ZN DICH | |
| | 1960186 | 3 | SCREW,10X1/2,AB,PH1,FLT CNSK,YEL,W/LK | |

Models: AARE, A3RE, T2RE, TCRE

LUGGAGE
PASS-THRU

With Features: OPTION 0180-01, 180-02, 180-03, 0180-04, 0180-05

| Key | PartNumber | Qty | Description | Comment |
|-----|------------|-----|-------------|---------|
|-----|------------|-----|-------------|---------|



Models: AARE, A3RE, T2RE, TCRE

**LUGGAGE
PASS-THRU**

With Features: OPTION 0180-01,180-02, 180-03, 0180-04, 0180-05

| Key | PartNumber | Qty | Description | Comment |
|-----|------------|-----|---|--------------------------------|
| 1 | 1486620 | | FRAME ASSY,FLR,CTR,P/THRU L/CMPT,74, AARE | 74". OPTION 0180-01 |
| 1 | 1486638 | | FRAME ASSY,FLR,CTR,P/THRU L/CMPT,113, | 113". OPTION 0180-02 |
| 1 | 1486646 | | FRAME ASSY,FLR,CTR,P/THRU L/CMPT,134, | 134" WHEELBASE, OPTION 0180-03 |
| 1 | 0019323 | | FRAME ASSY,FLOOR,CTR,PASS THRU | 106". OPTION 0180-04 |
| 1 | 0000168 | | FRAME ASSY,FLOOR,CENTER,PASS THRU | 78". OPTION 0180-05 |
| 2 | 1486596 | | FRAME ASSY,FLR,PASS THRU L/CMPT,74, AARE | 74". OPTION 0180-01 |
| 2 | 1486604 | | FRAME ASSY,FLR,PASS THRU L/CMPT,113, AARE | 113". OPTION 0180-02 |
| 2 | 1876002 | | FRAME ASSY,FLOOR,P/THRU L/CMPT,134 | 134" WHEELBASE. OPTION 0180-03 |
| 2 | 0019315 | | FRAME ASSY,FLOOR,PASS THRU L/CMPT,106 | 106". OPTION 0180-04 |
| 2 | 0000162 | | FRAME ASSY,FLOOR,PASS THRU L/CMPT,78 | 78". OPTION 0180-05 |
| 3 | 1379288 | | PANEL,TOP,CTR,P/THRU LUG,74, AARE | 74". OPTION 0180-01 |
| 3 | 1379296 | | PANEL,TOP,CTR,P/THRU LUG,113, AARE | 113". OPTION 0180-02 |
| 3 | 1379304 | | PANEL,TOP,CTR,P/THRU LUG,134,AARE | 134" WHEELBASE. OPTION 0180-03 |
| 3 | 0019364 | | PANEL,TOP,CENTER,PASS THRU L/CMPT,106 | 106". OPTION 0180-04 |
| 3 | 0000161 | | PANEL,TOP,CENTER,PASS THRU L/CMPT,78 | 78". OPTION 0180-05 |
| 4 | 1061852 | | PANEL,ACCESS,PUSH THRU CMPT | OPTION 0180-01,02,03,04,05 |
| 5 | | | PANEL TOP & BACK | |
| 5 | 1378744 | | PANEL,TOP & BACK,P/THRU L/CMPT,74, AARE | 74". OPTION 0180-01 |
| 5 | 1378728 | | PANEL,TOP & BACK,P/THRU L/CMPT,113, AARE | 113". OPTION 0180-02 |
| 5 | 1378736 | | PANEL,TOP & BACK,P/THRU L/CMPT,134, AARE | 134" WHEELBASE. OPTION 0180-03 |
| 5 | 0019356 | | PANEL,TOP,BACK,PASS THRU L/CMPT,106 | 106". OPTION 0180-04 |
| 5 | 0000160 | | PANEL,TOP-BACK,PASS THRU L/CMPT,78 | 78". OPT, 0180-05 |
| 6 | 1057348 | | PANEL,END,CTR,PUSH THRU LUGGAGE | OPTION 0180-01,02,03,04,05 |
| 7 | 1487792 | | PANEL ASSY,END,P/THRU LUG,LH,AARE | OPTION 0180-01,02,03,04,05 |
| 8 | 1487784 | | PANEL ASSY,END,P/THRU LUG,RH,AARE | OPTION 0180-01,02,03,04,05 |
| 9 | 1258706 | | BRACKET ASSY,MTG,PTLC,LH,A3RE | OPTION 0180-01,02,03,04,05 |
| 10 | 1258714 | | BRACKET ASSY,MTG,PTLC,RH,A3RE | OPTION 0180-01,02,03,04,05 |
| 11 | 1585959 | | PANEL ASSY,DOOR DIVIDER,P/THRU L/CMPT | OPTION 0180-01,02,03 |
| 12 | 1485697 | | DOOR & HINGE ASSY,34.81,P/THRU L/CMPT, | 34.81". OPTION 0180-01 |
| 12 | 1485705 | | DOOR & HINGE ASSY,54.31,P/THRU L/CMPT | 54.31". OPTION 0180-02 |
| 12 | 1485713 | | DOOR & HINGE ASSY,64.81,P/THRU L/CMPT, | 64.81". OPTION 0180-03 |
| 12 | 0019398 | | DOOR ASSY,FINAL,50.81,PASS THRU L/CMPT | 50.81". OPTION 0180-04 |

Models: AARE, A3RE, T2RE, TCRE

LUGGAGE
PASS-THRU

With Features: OPTION 0180-01,180-02, 180-03, 0180-04, 0180-05


| Key | PartNumber | Qty | Description | Comment |
|-----|------------|-----|--|--------------------------------|
| 12 | 0000004 | | DOOR ASSY,FINAL,36.81,PASS THRU L/CMPT | 36.81". OPTION 0180-05 |
| 13 | 1379262 | | ANGLE,PASS THRU LUGGAGE CMPT,77, AARE | 77". OPTION 0180-01 |
| 13 | 1379254 | | ANGLE,PASS THRU LUGGAGE CMPT,116,AARE | 116". OPTION 0180-02 |
| 13 | 1379247 | | ANGLE,HORIZONTAL,PTLC,137,AARE | 137" WHEELBASE. OPTION 0180-03 |
| 13 | 0020180 | | ANGLE,50.81 DOOR,LUGGAGE CMPT | 50.81". OPTION 0180-04 |
| 13 | 0000159 | | ANGLE,36.81 DOOR,LUGGAGE CMPT | 36.81". OPT0810-05 |
| NI | 1068501 | AR | SEAL,RUBBER,A/C HOOD TRIM | |
| NI | 1264969 | 2 | TRIM,SKIRT,8 1/8,PASS-THRU L/CMPT,RH | |
| NI | 1264977 | 2 | TRIM,SKIRT,8 1/8,PASS-THRU L/CMPT,LH | |
| NI | 1066968 | AR | FLOOR COVERING,SMTH,TAN,RUBBER,.125 X | |
| NI | 1253533 | 4 | CABLE & HOOK ASSY,CMPT DOOR,25 3/4 | |
| NI | 0602029 | 4 | BRACKET,O/S CHAIN HOOK | |
| NI | 0754606 | 3 | MOLDING,COVE,WALL TO FLOOR | |
| NI | 0758292 | AR | TAPE,FOAM,PCV,3/16 X 3/8 WIDTH,W/ADH | |
| NI | 0994673 | 4 | SLEEVE,OVAL CABLE LOCK | |
| NI | 0994665 | 4 | CABLE ASSY,LOCK,54IN | |
| NI | 0994657 | 8 | LATCH,CABLE LOCK | |
| NI | 1263839 | 4 | STRIKER PLATE,1 7/16 X 2 | |
| NI | 0203323 | AR | SEAL,SPONGE RUBBER,RUBATEX | |
| NI | 0948588 | 4 | LOCK,PADDLE HANDLE,LOCKING,PRIMED | OPTION 0197 |
| NI | 2134468 | 4 | CYLINDER,PADDLE LOCK,KEYED LL-25 | KEYED, LL-25 |
| NI | 4298956 | 4 | SEAL,RUBBER,LOCK CYLINDER,LUGG COMPT | |
| NI | 4298964 | 4 | RETAINER,SPRING CLIP,LOCK CYL,LUGG | |
| NI | 0848747 | | KEY,LL-25,LOCKING COMPARTMENTS | KEY, LL 25 |

Models: AARE, A3RE, T2RE, TCRE

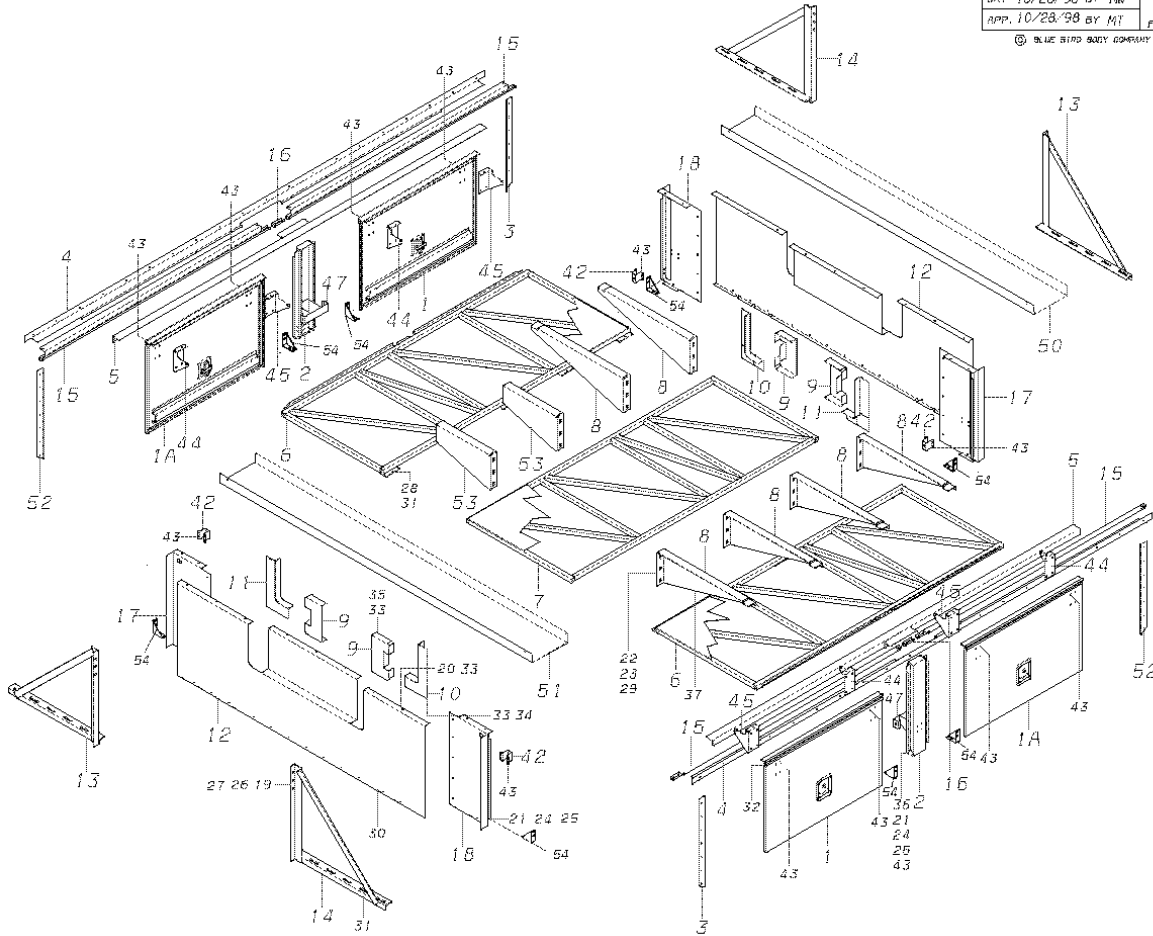
**LUGGAGE
PASS-THRU**

**With Features:
OPTION 0183**

| Key | PartNumber | Qty | Description | Comment |
|-----|------------|-----|-------------|---------|
|-----|------------|-----|-------------|---------|

| | | | |
|---------------------|---------|-----|---|
| DR. 10/28/98 BY NW | 1861665 | K |  |
| APP. 10/28/98 BY MT | FRT | REV | |

© BLUE BIRD BODY COMPANY ALL RIGHTS RESERVED



Models: AARE, A3RE, T2RE, TCRE

LUGGAGE

PASS-THRU

With Features: OPTION 0183

| Key | PartNumber | Qty | Description | Comment |
|-----|------------|-----|---|---------|
| 1 | 1861699 | 4 | DOOR & HINGE ASSY,64.81,P/THRU L/CMPT,INT | |
| 1 | 1861681 | | DOOR ASSY,64.81,P/THRU L/CMPT,INT CONST | |
| 1 | 1388685 | | HINGE,TOP,LUGGAGE COMPARTMENT,65.18, | |
| 1 | 1388727 | | HINGE,BTM,LUGGAGE COMPARTMENT,64.93, | |
| 1 | 1857994 | | DOOR ASSY,FINAL,68.31,P/THRU L/CMPT | |
| 1 | 1857960 | | DOOR ASSY,68.31,P/THRU L/CMPT, TCRE | |
| 1 | 1778190 | | HINGE,TOP,LUGGAGE COMPARTMENT 68.68, | |
| 1 | 1778174 | | HINGE,BTM,LUGGAGE COMPARTMENT,68.43, | |
| 1 | 1857986 | | DOOR ASSY,FINAL,61.31,P/THRU L/CMPT, AARE | |
| 1 | 1857952 | | DOOR ASSY,61.31,P/THRU L/CMPT, AARE | |
| 1 | 1778208 | | HINGE,TOP,LUGGAGE COMPARTMENT 61.68, | |
| 1 | 1778182 | | HINGE,BTM,LUGGAGE COMPARTMENT 61.43, | |
| NI | 1200807 | | RUBBER,HINGE,STORAGE COMPARTMENT | |
| NI | 1200799 | | SCREW,10-24 X 3/8,T,PH1,PAN HD, YEL ZN | |
| NI | 2186419 | | SCREW,SM,PH,PN/HD,6-20 X 1/2,TYPE AB,ZN3 | |
| 2 | 1861715 | 2 | PANEL ASSY,DOOR DIV,P/THRU L/CMPT,INT | |
| 3 | 1896976 | 2 | TRIM,OUTER,VERT,LH,PASS THRU L/CMPT,AARE | |
| 4 | 1490614 | 2 | TRIM,DOOR,UPPER,PASS THRU LUGGAGE CMPT, | |
| 5 | 1490663 | 2 | ANGLE ASSY,INTEG CONST,P/THRU L/CMPT | |
| 6 | 1876002 | 2 | FRAME ASSY,FLOOR,P/THRU L/CMPT,134 | |
| 7 | 1486646 | 2 | FRAME ASSY,FLR,CTR,P/THRU L/CMPT,134, | |
| 8 | 1777754 | 6 | OUTRIGGER,INTEG CONSTR,PASS THRU L/CMPT | |
| 9 | 1901388 | | PANEL,CAP,FRAME RAIL,INNER,FRT LH | |
| 9 | 1901396 | | PANEL,CAP,FRAME RAIL,INNER,FRT RH, | |
| 9 | 1901404 | | PANEL,CAP,FRAME RAIL,INNER,REAR,LH | |
| 9 | 1903343 | | PANEL,CAP,FRAME RAIL,INNER,REAR,RH, | |
| 9 | 0004191 | | PANEL,CAP,FRAME RAIL,INNER,FRT,RH, | |
| 9 | 0004190 | | PANEL,CAP,FRAME RAIL,INNER,REAR,RH, | |
| 10 | 1781442 | 2 | TRIM ASSY,CLOSEOUT,LH,FRAME RAIL | |
| 11 | 1781434 | 2 | TRIM ASSY,CLOSEOUT,RH,FRAME RAIL | |
| 12 | 1897446 | 2 | PANEL,END,PASS THRU L/CMPT | |
| 13 | 1777721 | 2 | BRACKET ASSY,MTG,PASS THRU L/CMPT,RH | |
| 14 | 1777747 | 2 | BRACKET ASSY,MTG,PASS THRU L/CMPT,LH | |

Models: AARE, A3RE, T2RE, TCRE

LUGGAGE

PASS-THRU

With Features: OPTION 0183

| Key | PartNumber | Qty | Description | Comment |
|-----|------------|-----|---|---------|
| 15 | 1503093 | 4 | MOLDING,DRIP,INNER,PASS THRU L/CMPT, | |
| 16 | 1504216 | 2 | MOLDING,DRIP,BRIDGE,PASS THRU L/CMPT, | |
| 17 | 1857903 | 2 | PANEL ASSY,END,RH,P/THRU L/CMPT,TC-AARE | |
| 18 | 1857911 | 2 | PANEL ASSY,END,LH,P/THRU L/CMPT,TC-AARE | |
| 19 | 2028454 | 12 | CAPSCREW,HEX HD,1/2-20 X1 1/2,GR5, | |
| 20 | 0621953 | 16 | TAPE,FOAM,1/8X3/4X50FT,CLSD.CELL NEOP. | |
| 21 | 0659979 | 16 | NUT,HEX,FLANGE SER,1/4-20,BLACK ZINC | |
| 22 | 0803148 | 24 | CAPSCREW,HEX HD,1/2-13 X 1 3/4,GR8, | |
| 23 | 0850800 | 24 | NUT,HEX HD,1/2-13,LOCKING,GR 8,CAD WAX | |
| 24 | 0977132 | 16 | CAPSCREW,HEX HD,1/4-20 X 3/4,GR 5,YEL | |
| 25 | 1263839 | 8 | STRIKER PLATE,1 7/16 X 2 | |
| 26 | 0990655 | 12 | LOCKWASHER,SPLIT RING, 1/2 ,MED,YEL ZN | |
| 27 | 2001485 | 12 | NUT,HEX HD,1/2-20,ZINC | |
| 28 | 2001048 | 16 | WASHER,FLAT,11/32 X 11/16 X 1/16,YEL | |
| 29 | 1003045 | 24 | WASHER,FLAT,17/32 X 1 1/16 X 7/64,HDN, | |
| 30 | 1589522 | 30 | SCREW,10-16 X 3/4,AB,PH1,PAN HD,YEL ZN | |
| 31 | 0527366 | 36 | SCREW,5/16-12 X 3/4,B,HEX HD,YEL ZN | |
| 32 | 2083095 | 68 | SCREW,10-16 X 3/4,AB,PH1,PANHD,YELZN, | |
| 33 | 1143676 | 86 | SCREW,10-16 X 3/4, AB,PH1,PAN HD,BLK ZN, | |
| 34 | 1490630 | | FOAM,ADHESIVE BACK,CLOSE | |
| 35 | 1490622 | | FOAM,ADHESIVE BACK,CLOSE | |
| 36 | 2000073 | 8 | SCREW,1/4-20 X 1,D,HEX HD,YEL ZN DICH | |
| 37 | 1489434 | 19 | TRIM,VINYL,BLACK,DOUBLE LIP COMPONENTS FOR GAS SPRINGS | |
| 38 | 0892604 | 8 | GAS SPRING,FBN128,50 LB | |
| 39 | 0899096 | 16 | WIRE,SAFETY,A9002,GAS SPRING | |
| 40 | 3758810 | 16 | STUD,BALL,O/H CABINET 10MM,WL | |
| 41 | 0829390 | 16 | NUT,HEX HD,5/16-18,SER WASHER,YEL ZN | |
| 42 | 1857820 | 4 | BRACKET,MTG,GAS SPR-END PNL,P/THRU LUG | |
| 43 | 1449909 | 56 | RIVET,.250 X .375,WAGON BX,SOLID,STL,ZN-NI | |
| 44 | 1906452 | 4 | BRACKET,MTG,GAS SPR-DOOR,RH,P/THRU LUG | |
| 45 | 1906460 | 4 | BRACKET,MTG,GAS SPR-DOOR,LH,P/THRU LUG | |
| 46 | 1858000 | | DECAL,DOOR,LUGGAGE COMPARTMENT | |

Models: AARE, A3RE, T2RE, TCRE

LUGGAGE


PASS-THRU

With Features: OPTION 0183

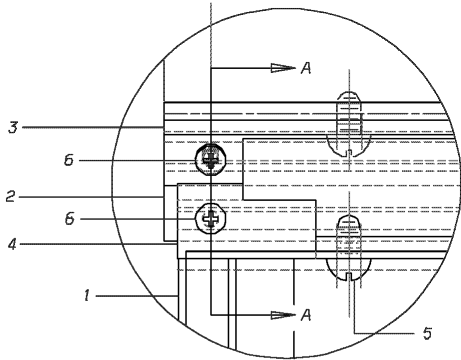
| Key | PartNumber | Qty | Description | Comment |
|-----|------------|-----|---|---------|
| 47 | 1857879 | 2 | BRACKET ASSY,MTG,GAS SPR-DR DIV,P/THRU | |
| 50 | 1490671 | | CAP,REINFORCEMENT,9.88,P/THRU L/CMPT, | |
| 51 | 1490689 | | CAP,REINFORCEMENT,10.50,P/THRU L/CMPT, | |
| 52 | 1894666 | 2 | TRIM,OUTER,VERT,RH,PASS THRU L/CMPT | |
| 53 | 1906445 | 2 | OUTRIGGER,INTEG CONSTR,L/CMPT,SED | |
| 54 | 1911130 | 8 | BRACKET,STRIKER,LUGGAGE COMPARTMENT | |
| NI | 1407139 | 2 | PANEL,REINF,GUSSET,LUG CMPT,4.50,RH | |
| NI | 1419480 | 2 | PANEL,REINF,GUSSET,LUG CMPT,4.50,LH | |
| NI | 1264969 | 2 | TRIM,SKIRT,8 1/8,PASS-THRU L/CMPT,RH | |
| NI | 1264977 | 2 | TRIM,SKIRT,8 1/8,PASS-THRU L/CMPT,LH | |
| NI | 1992833 | 10 | FLOOR COVERING,SMTH,GRY,RBR,.125X 38.12 | |
| NI | 0994657 | 8 | LATCH,CABLE LOCK | |
| NI | 1896117 | 4 | CABLE ASSY,LOCK,74 IN | |
| NI | 0994673 | 4 | SLEEVE,OVAL CABLE LOCK | |
| NI | 1068501 | 37 | SEAL,RUBBER,A/C HOOD TRIM | |
| NI | 2051902 | 2 | SEALANT,SILICONE,BLACK,CARTRIDGE | |

Models: AARE, A3RE, TCRE
LUGGAGE
PASS-THRU

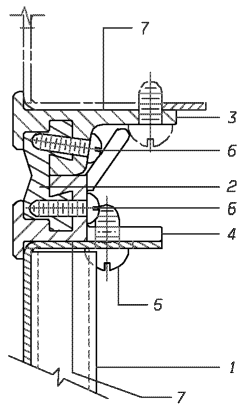
| Key | PartNumber | Qty | Description | Comment |
|-----|------------|-----|-------------|---------|
|-----|------------|-----|-------------|---------|

| | | | | |
|---------------------|-----|---------|-----|---|
| DR. 11/18/00 BY JL | --- | 1857978 | J |  |
| APP. 11/18/00 BY FF | FRT | | REV | |

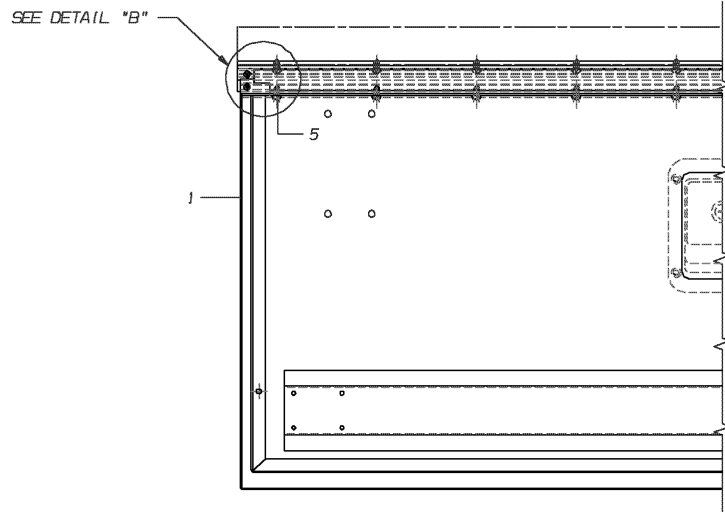
© BLUE BIRD BODY COMPANY. ALL RIGHTS RESERVED



DETAIL B



SECTION A-A



Models: AARE, A3RE, TCRE
LUGGAGE
PASS-THRU

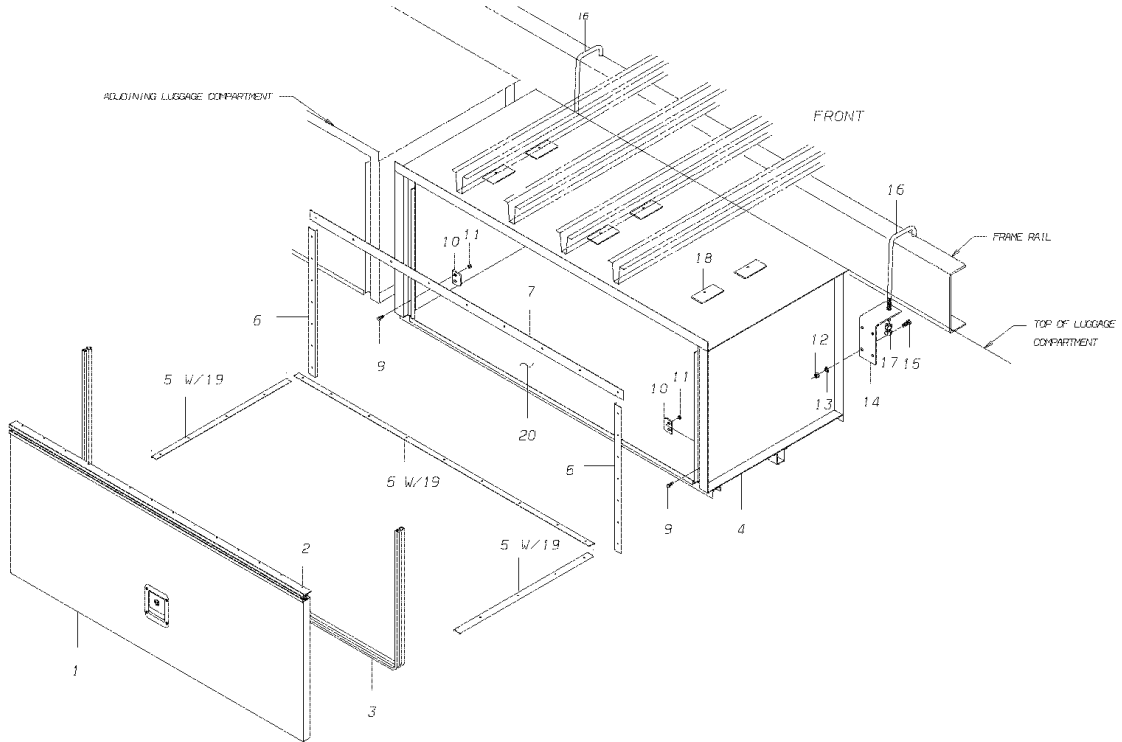
| Key | PartNumber | Qty | Description | Comment |
|-----|------------|-----|--|----------------------|
| | 1485713 | | DOOR & HINGE ASSY,64.81,P/THRU L/CMPT, | OPTION 0180-03 |
| 1 | 1485689 | | DOOR ASSY,64.81,PASS THRU LUGGAGE CMPT, | |
| 2 | 1200807 | | RUBBER,HINGE,STORAGE COMPARTMENT | |
| 3 | 1388685 | | HINGE,TOP,LUGGAGE COMPARTMENT,65.18, | |
| 4 | 1388727 | | HINGE,BTM,LUGGAGE COMPARTMENT,64.93, | |
| | 1485705 | | DOOR & HINGE ASSY,54.31,P/THRU L/CMPT | OPTION 0180-02, 0184 |
| 1 | 1485671 | | DOOR ASSY,54.31,PASS THRU LUGGAGE CMPT, | |
| 2 | 1200807 | | RUBBER,HINGE,STORAGE COMPARTMENT | |
| 3 | 1388677 | | HINGE,TOP,LUGGAGE COMPARTMENT,54.68 | |
| 4 | 1388719 | | HINGE,BTM,LUGGAGE COMPARTMENT,54.43, | |
| | 0019398 | | DOOR ASSY,FINAL,50.81,PASS THRU L/CMPT | OPTION 0180-04 |
| 1 | 0019406 | | DOOR ASSY,50.81,PASS THRU L/CMPT | |
| 2 | 1200807 | | RUBBER,HINGE,STORAGE COMPARTMENT | |
| 3 | 0019414 | | HINGE,TOP,LUGGAGE COMPARTMENT,51.18 | |
| 4 | 0019422 | | HINGE,BOTTOM,LUGGAGE | |
| | 1872035 | | DOOR ASSY,FINAL,77.00 L/CMPT,TCRE/CEC | OPTION 0158-01, 02 |
| 1 | 1871995 | | DOOR ASSY,77.00 L/CMPT | |
| 2 | 1200807 | | RUBBER,HINGE,STORAGE COMPARTMENT | |
| 3 | 1872050 | | HINGE,TOP,77.00 L/CMPT,TCRE/CEC | |
| 4 | 1872043 | | HINGE,BOTTOM,77.00 L/CMPT,TCRE/CEC | |
| | 0000004 | | DOOR ASSY,FINAL,36.81,PASS THRU L/CMPT | OPTION 0180-05 |
| 1 | 0000005 | | DOOR ASSY,36.81,PASS THRU LUGGAGE CMPT | |
| 2 | 1200807 | | RUBBER,HINGE,STORAGE COMPARTMENT | |
| 3 | 0000154 | | HINGE,TOP,LUGGAGE COMPARTMENT,37.18 | |
| 4 | 0000155 | | HINGE,BOTTOM,LUGGAGE | |
| | 0003504 | | DOOR ASSY,FINAL,49.00 L/CMPT, DRRE | OPTION 158-02, 03 |
| 1 | 0003329 | | DOOR ASSY,49.00,L/CMPT, DRRE | |
| 2 | 1200807 | | RUBBER,HINGE,STORAGE COMPARTMENT | |
| 3 | 0003336 | | HINGE,TOP,49.00 L/CMPT, DRRE | |
| 4 | 0003334 | | HINGE,BOTTOM,49.00 L/CMPT, DRRE | |
| 5 | 1200799 | 16 | SCREW,10-24 X 3/8,T,PH1,PAN HD, YEL ZN | |
| 6 | 2186419 | 4 | SCREW,SM,PH,PN/HD,6-20 X 1/2,TYPE AB,ZN3 | |
| 7 | 0862953 | | SEALANT,SCHNEE-MOREHEAD 5522,VINYL | |

Models: **AARE, A3RE, TCRE**
LUGGAGE
PASS-THRU

| Key | PartNumber | Qty | Description | Comment |
|-----|------------|-----|--|---------|
| NI | 0994657 | 2 | LATCH,CABLE LOCK | |
| NI | 1214956 | | CABLE & HOOK ASSY,CMPT DOOR,14 11/16 | |
| NI | 1215557 | | CHAIN,SASH,SIZE NO 35,ZINC PLATED | |
| NI | 0602029 | | BRACKET,O/S CHAIN HOOK | |
| NI | 1415769 | | RIVET,POP,.18 X .45,CHERRY SSPS-6-4 | |
| NI | 2000511 | 9 | SCREW,10-16 X 1/2,AB,PH1,TRUSS HD, | |
| NI | 1896117 | | CABLE ASSY,LOCK,74 IN | |
| NI | 0994673 | | SLEEVE,OVAL CABLE LOCK | |
| NI | 0527317 | 2 | SCREW,8-18 X 5/8,AB,PH1,OVAL CNSK HD,YEL | |
| NI | 1068501 | AR | SEAL,RUBBER,A/C HOOD TRIM | |
| NI | 0994657 | 2 | LATCH,CABLE LOCK | |
| NI | 2000511 | 9 | SCREW,10-16 X 1/2,AB,PH1,TRUSS HD, | |

Models: AAFE, AARE, A3RE, T2RE, TCFE, TCRE
LUGGAGE
SINGLE
With Features: OPTION 0184

| Key | PartNumber | Qty | Description | Comment |
|-----|------------|-----|-------------|---------|
|-----|------------|-----|-------------|---------|



Models: AAFE, AARE, A3RE, T2RE, TCFE, TCRE

LUGGAGE

SINGLE

With Features: OPTION 0184

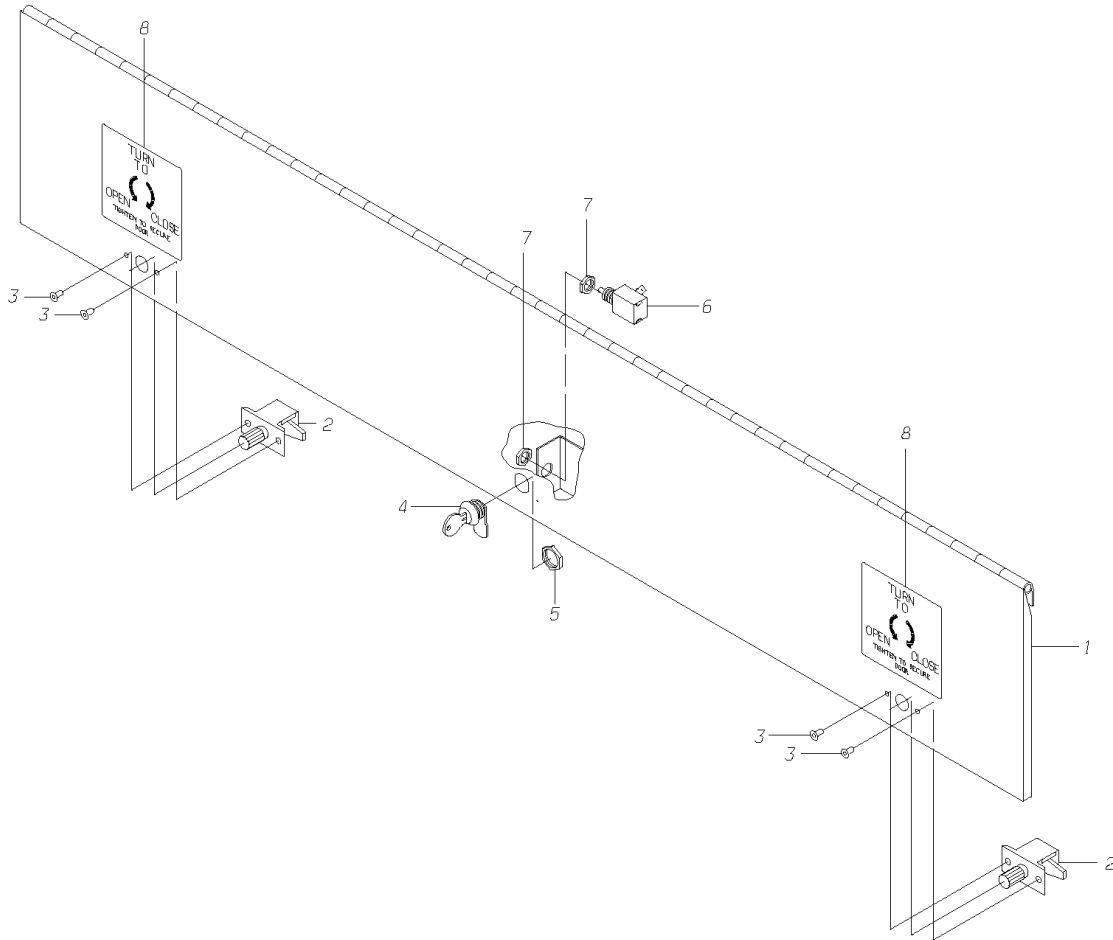
| Key | PartNumber | Qty | Description | Comment |
|-----|------------|-----|--|---------------------------------|
| 1 | 1485705 | | DOOR & HINGE ASSY,54.31,P/THRU L/CMPT | |
| 1 | 1485671 | | DOOR ASSY,54.31,PASS THRU LUGGAGE CMPT, | PART OF ITEM 1 |
| 1 | 1200807 | 54 | RUBBER,HINGE,STORAGE COMPARTMENT | PART OF ITEM 1 |
| 1 | 1388677 | | HINGE,TOP,LUGGAGE COMPARTMENT,54.68 | PART OF ITEM 1 |
| 1 | 1388719 | | HINGE,BTM,LUGGAGE COMPARTMENT,54.43, | PART OF ITEM 1 |
| 1 | 1200799 | 14 | SCREW,10-24 X 3/8,T,PH1,PAN HD, YEL ZN | PART OF ITEM 1 |
| 1 | 2186419 | 4 | SCREW,SM,PH,PN/HD,6-20 X 1/2,TYPE AB,ZN3 | PART OF ITEM 1 |
| 1 | 0862953 | | SEALANT,SCHNEE-MOREHEAD 5522,VINYL | PART OF ITEM 1 |
| 2 | 1200799 | 14 | SCREW,10-24 X 3/8,T,PH1,PAN HD, YEL ZN | |
| 3 | 1068501 | 98 | SEAL,RUBBER,A/C HOOD TRIM | |
| 4 | 1611607 | | COMPARTMENT ASSY,LUG,22 X 25 X 58 | |
| 5 | 0802330 | AR | TRIM,DRIVERS FLOOR | |
| 6 | 1265438 | 2 | TRIM,OUTER SKIN,VERTICAL,LUGGAGE CMPT | |
| 7 | 1796044 | | TRIM,OUTER SKIN,HORIZONTAL,LUG | |
| 9 | 1542372 | 4 | CAPSCREW,HEX FLG,1/4-20X.75,GRD5,BLACK | |
| 10 | 1263839 | 2 | STRIKER PLATE,1 7/16 X 2 | |
| 11 | 0659979 | 4 | NUT,HEX,FLANGE SER,1/4-20,BLACK ZINC | |
| 12 | 2028223 | 4 | NUT,HEXHD,3/8-24,STD LGT,SEMI-FIN, | STANDARD, LIGHT, SEMI-FIN, ZINC |
| 13 | 0882795 | 4 | LOCKWASHER,SPLIT RING,3/8,MED,YELLOW | |
| 14 | 1611565 | 2 | BRACKET ASSY,MTG,EXTENSION,LUGGAGE | |
| 15 | 2028330 | 4 | CAPSCREW,HEX HD,3/8-24 X 1,GR5,YEL ZN | |
| 16 | 0085877 | 2 | HANGER,FRAME,J-BOLT,LUGGAGE | |
| 17 | 2001485 | 4 | NUT,HEX HD,1/2-20,ZINC | |
| 18 | 1257955 | 6 | PLATE,11 GA,2 X 4 | |
| NI | 2000511 | 19 | SCREW,10-16 X 1/2,AB,PH1,TRUSS HD, | |
| NI | 1992833 | 2 | FLOOR COVERING,SMTH,GRY,RBR,.125X 38.12 | A3RE |
| NI | 0854307 | 2 | FLOOR COVERING,SMTH,BLK,RUBBER,.125 X | CSFE /RE, SCFE/ RE |
| NI | 2000073 | 6 | SCREW,1/4-20 X 1,D,HEX HD,YEL ZN DICH | |

Models: AAFE, AARE, A3FE, A3RE, BBCV, GMCV, SBCV, TCFE, TCRE, TSFE

**OVERHEAD EMERGENCY EQUIPMENT COMPARTMENT
LOCKING**

With Features: OPTION 0162

| Key | PartNumber | Qty | Description | Comment |
|-----|------------|-----|-------------|---------|
|-----|------------|-----|-------------|---------|



Models: AAFE, AARE, A3FE, A3RE, BBCV, GMCV, SBCV, TCFE, TCRE, TSFE

With Features: OVERHEAD EMERGENCY EQUIPMENT COMPARTMENT
LOCKING
OPTION 0162

| Key | PartNumber | Qty | Description | Comment |
|-----|------------|-----|--|--|
| NI | 0910240 | | PANEL,ACCESS,FRT UPR INR,W/SIGN | ENDING WITH BSN 0015500, 185594, 254184, 365582, FOR ALL PRODUCTS EXCEPT TSFE. |
| NI | 1762319 | | PANEL,ACCESS,FRT UPR INR,74HR,W/CMPT | BEGIN WITH BSN 0015501, 185595, 254185, 365583, FOR ALL PRODUCTS EXCEPT TSFE. |
| NI | 1911155 | | PANEL ASSY,ACCESS,FRT UPR INR,W/EM CMPT, | FOR TSFE ONLY |
| NI | 1765437 | | PANEL,ACS,FRT UPR INR,RAISED FL,W/EM | OPTION 3515, RAISED FLOOR, USED ON TCFE ONLY. |
| NI | 0005102 | | PANEL,ACCESS,FRT UPR INR W/EM EQUIP | RIGHT HAND DRIVE |
| NI | 0759142 | | PANEL,C/OUT,EMERGENCY EQUIPMENT CMPT | ENDING WITH BSN 0015500, 185594, 254184, 365582, FOR ALL PRODUCTS EXCEPT TSFE. |
| NI | 1762335 | | PANEL,C/OUT,EMERGENCY EQUIP CMPT | BEGIN WITH BSN 0015501, 185595, 254185, 365583, FOR ALL PRODUCTS EXCEPT TSFE. |
| NI | 1913755 | | PANEL,C/OUT,EMERGENCY EQUIP CMPT, TSFE | FOR TSFE ONLY |
| 1 | 1420918 | | DOOR ASSY,EMER EQPT CMPT | ENDING WITH BSN 0015500, 185594, 254184, 365582 |
| 1 | 1762285 | | DOOR ASSY,EMERGENCY EQUIP CMPT,LOCKING | BEGIN WITH BSN 0015501, 185595, 254185, 365583 |
| NI | 1762244 | | SUPPORT,DOOR,SPRING,EMERGENCY EQUIP | BEGIN WITH BSN 0018805, 188871, 256959, 369412 |
| 2 | 0533737 | 2 | LATCH,MOVING PAWL | ENDING WITH BSN 0015500, 185594, 254184, 365582 |
| 2 | 1766021 | 2 | LATCH,DOOR,EMERGENCY EQUIPMENT | BEGIN WITH BSN 0015501, 185595, 254185, 365583 |
| 3 | 0422915 | 4 | RIVET,1/8 DIA,ALUMINUM,W/ST STEM | |
| 3 | 1415769 | 4 | RIVET,POP,.18 X .45,CHERRY SSPS-6-4 | |
| 4 | 1060755 | | LOCK ASSY,DOOR,EMERGENCY EQUIPMENT | WITH KEY |
| 4 | 1060748 | | LOCK ASSY,DOOR,F/TANK & GLOVE CMPT,W/O | WITHOUT KEY |
| NI | 0848747 | | KEY,LL-25,LOCKING COMPARTMENTS | KEY, LL-25 |
| 5 | 1062108 | | NUT,PANEL,HEX HD,3/4-24,YEL ZN DICH | |
| 6 | 1126176 | | SWITCH,MOMENTARY,SPST NC | |
| 7 | 1073311 | 2 | NUT,PANEL,HEX HD,1/2-20,YEL ZN DICH | |
| 8 | 1360593 | 2 | DECAL,TURN TO OPEN,CLOSE 4 X 4 | |
| NI | 1278316 | 10 | TRIM,VINYL,BROWN,DOUBLE LIP,75000327 | |

Models: AAFE, AARE, A3FE, A3RE, BBCV, GMCV, SBCV, TCFE, TCRE, TSFE

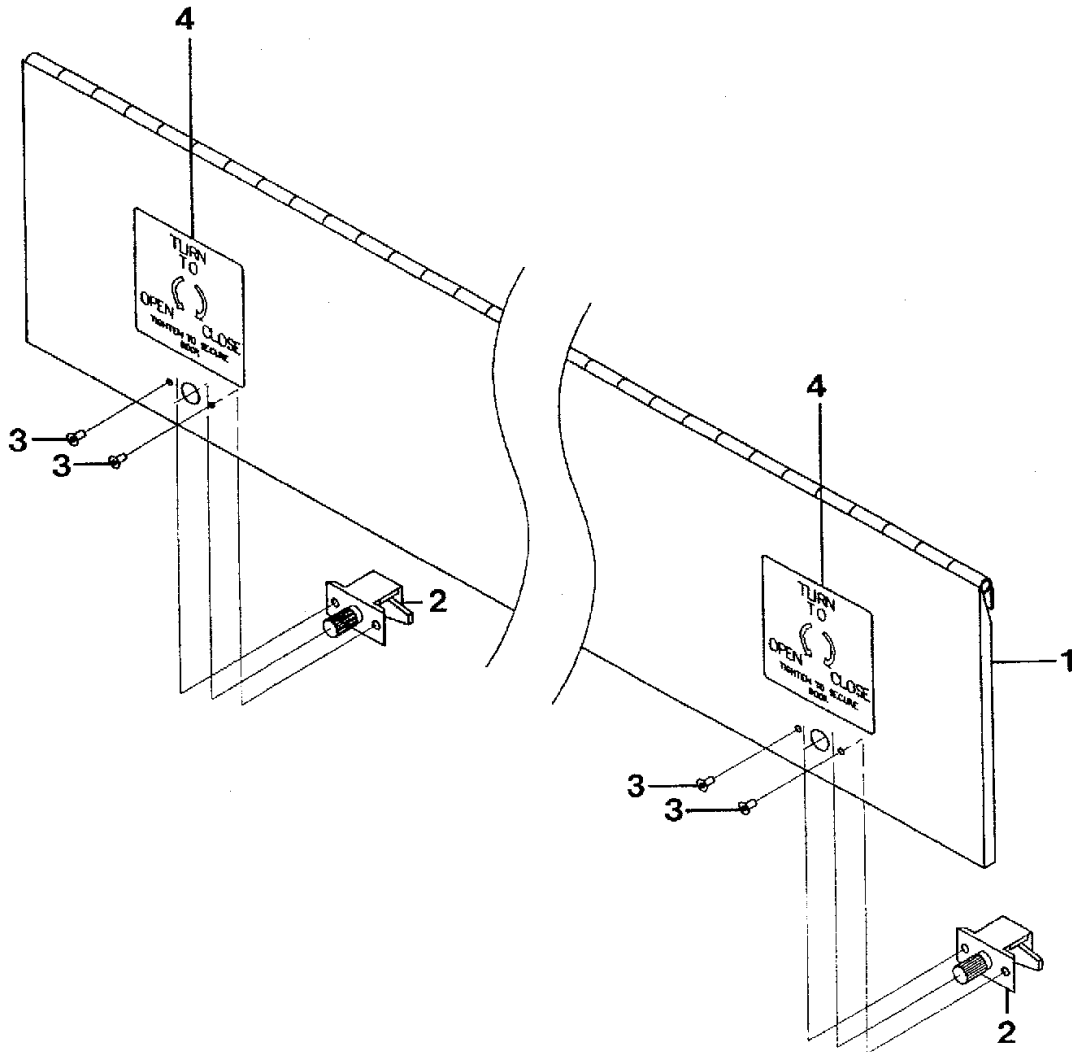
OVERHEAD EMERGENCY EQUIPMENT COMPARTMENT
NON-LOCKING
OPTION 0161

With Features:

| Key | PartNumber | Qty | Description | Comment |
|-----|------------|-----|-------------|---------|
|-----|------------|-----|-------------|---------|

EMERGENCY EQUIPMENT COMPARTMENT DOOR
NON-LOCKING, OPT.-0161

8008948 REV
ALL RIGHTS RESERVED



Models: AAFE, AARE, A3FE, A3RE, BBCV, GMCV, SBCV, TCFE, TCRE, TSFE

With Features: OVERHEAD EMERGENCY EQUIPMENT COMPARTMENT
NON-LOCKING
OPTION 0161

| Key | PartNumber | Qty | Description | Comment |
|-----|------------|-----|--|--|
| NI | | | PANEL, ACCESS, FRONT UPPER INNER | |
| NI | | | ALL EXCEPT TSFE | |
| NI | 0910240 | | PANEL,ACCESS,FRT UPR INR,W/SIGN | ENDING WITH BSN 0015500, 185594, 254184, 365582 |
| NI | 1762319 | | PANEL,ACCESS,FRT UPR INR,74HR,W/CMPT | BEGIN WITH BSN 0015501, 185595, 254185, 365583 |
| NI | 1911155 | | PANEL ASSY,ACCESS,FRT UPR INR,W/EM CMPT, | TSFE ONLY |
| NI | 1765437 | | PANEL,ACS,FRT UPR INR,RAISED FL,W/EM | OPTION 3515, RAISED FLOOR. USED ON TCFE ONLY |
| NI | 0005102 | | PANEL,ACCESS,FRT UPR INR W/EM EQUIP | |
| 1 | 1443142 | | DOOR ASSY,EMER EQPT CMPT,NON-LOCKING | ENDING WITH BSN 0015500, 185594, 254184, 365582 |
| 1 | 1762277 | | DOOR ASSY,EMERGENCY EQUIP CMPT | BEGIN WITH BSN 0015501, 185595, 254185, 365583 |
| 2 | 0533737 | 2 | LATCH,MOVING PAWL | ENDING WITH BSN 0015500, 185594, 254184, 365582 |
| 2 | 1766021 | 2 | LATCH,DOOR,EMERGENCY EQUIPMENT | BEGIN WITH BSN 0015501, 185595, 254185, 365583 |
| NI | 1762244 | | SUPPORT,DOOR,SPRING,EMERGENCY EQUIP | BEGIN WITH BSN 0018805, 188871, 256959, 369412 |
| 3 | 0422915 | 4 | RIVET,1/8 DIA,ALUMINUM,W/ST STEM | |
| 3 | 1415769 | 4 | RIVET,POP,.18 X .45,CHERRY SSPS-6-4 | |
| 4 | 1360593 | 2 | DECAL,TURN TO OPEN,CLOSE 4 X 4 | |
| NI | 0759159 | | DECAL,EMERGENCY EQUIPMENT,2IN RED | |

Models: AAFE, AARE, A3RE, TCFE, TCRE

TIRE
COMPARTMENT

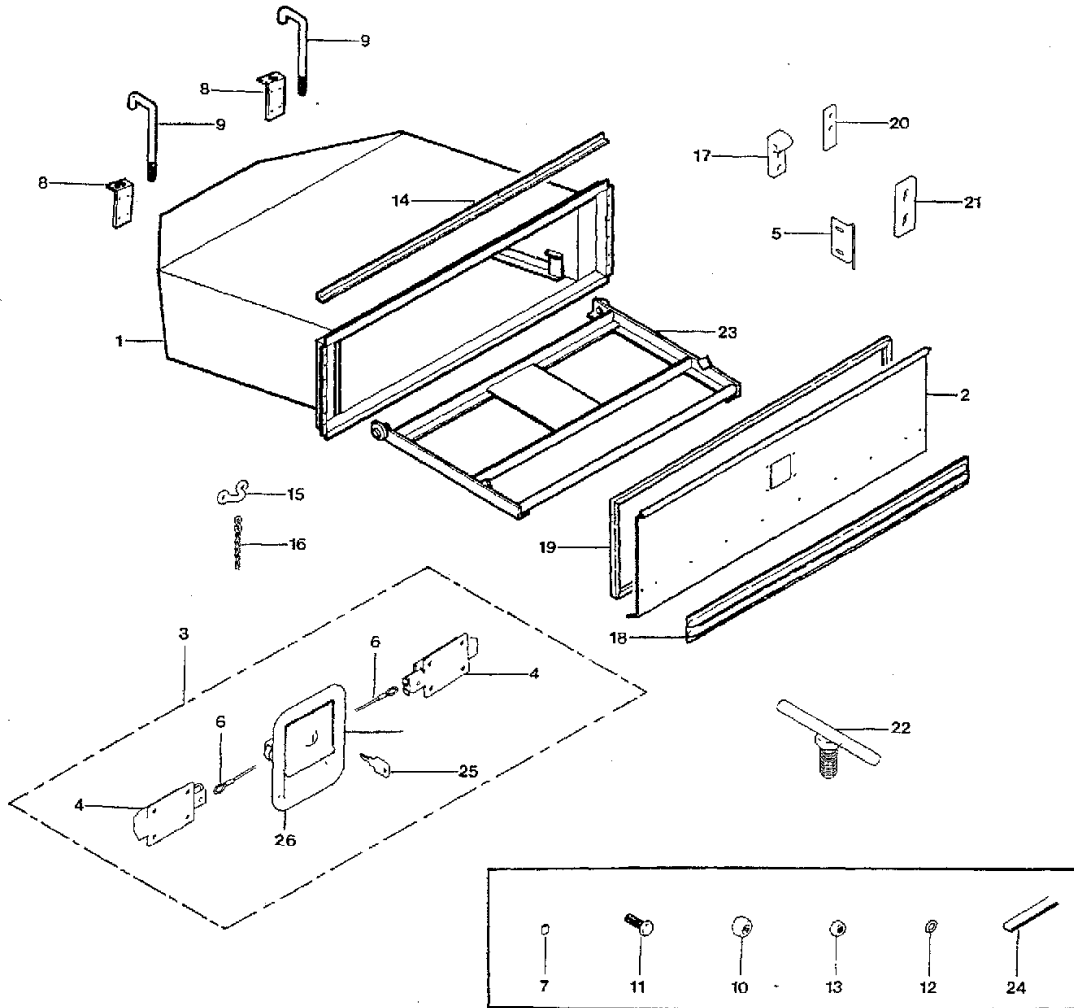
With Features: OPTION 0185, 0187

| Key | PartNumber | Qty | Description | Comment |
|-----|------------|-----|-------------|---------|
|-----|------------|-----|-------------|---------|

450 11

OPT. 0185, TIRE COMPARTMENT

DR 6-27-85 BY JLR
APP 7-1-85 BY JRS
FRONT
8003928
© 1985 BLUE BIRD BODY COMPANY
ALL RIGHTS RESERVED



Models: AAFE, AARE, A3RE, TCFE, TCRE

TIRE
COMPARTMENT

With Features: OPTION 0185, 0187

| Key | PartNumber | Qty | Description | Comment |
|-----|------------|-----|---------------------------------------|---|
| 1 | 0523282 | | COMPARTMENT ASSY,TIRE | |
| 2 | 0932061 | | DOOR ASSY,SINGLE LUG & TIRE CMPT (NO | |
| 3 | 0913178 | | LOCK ASSY,LUG&TIRE,NON-LOCKING | STANDARD, WITH OPTION 0185 NON/LOCKING |
| 3 | 0913160 | | LOCK ASSY,LUG&TIRE,LKG,W/2 LL25 KEYS | OPTION 0185 WITH OPTION 0196 LOCKING. SHOWN. WITH KEYS |
| 4 | 0994657 | 2 | LATCH,CABLE LOCK | |
| 5 | 0816231 | 2 | PLATE,STRIKER,TIRE COMPARTMENT | |
| 6 | 0994665 | | CABLE ASSY,LOCK,54IN | |
| 7 | 0994673 | 2 | SLEEVE,OVAL CABLE LOCK | |
| 8 | 0524397 | 2 | ANGLE,SUPPORT,TIRE COMPARTMENT | |
| 9 | 0952846 | 2 | BRACKET,HANGER,STORAGE CMPT | |
| 10 | 2001485 | 4 | NUT,HEX HD,1/2-20,ZINC | |
| 11 | 2028330 | 4 | CAPSCREW,HEX HD,3/8-24 X 1,GR5,YEL ZN | |
| 12 | 2028579 | 8 | LOCKWASHER,SPLIT RING, 3/8 ,MED,ZINC | |
| 13 | 2028223 | 4 | NUT,HEXHD,3/8-24,STD LGT,SEMI-FIN, | |
| 14 | 0321570 | | MOLDING,DRIP,DOOR,SINGLE | |
| 15 | 0602029 | | BRACKET,O/S CHAIN HOOK | |
| 16 | 1214931 | | CABLE & HOOK ASSY,CMPT DOOR,10 13/16 | |
| NI | 1215557 | | CHAIN,SASH,SIZE NO 35,ZINC PLATED | |
| 17 | 0757427 | 2 | MOUNT,HINGE PIN,ALODINED | |
| 18 | 0818922 | | RUB RAIL,SINGLE LUGGAGE COMPARTMENT | |
| 19 | 1040393 | 12 | WEATHERSTRIP,CMPT SEAL,RUBATEX SCE-41 | SPECIFY LENGTH IN FEET |
| 20 | 0346304 | 2 | SPACER,HINGE,PIN MOUNT | |
| 21 | 0525618 | | SPACER,STRIKER,LUGGAGE & TIRE | |
| 22 | 0994392 | | BOLT ASSY,TIRE CLAMP | |
| 23 | 0999250 | | RACK ASSY,TIRE COMPARTMENT | |
| 24 | 2003101 | 8 | RUBBER,SPONGE,3/16 X 1/2 WITH PSA | SPECIFY LENGTH IN FEET |
| 25 | 0848747 | | KEY,LL-25,LOCKING COMPARTMENTS | KEY, COMPARTMENT LOCK LL-25 |
| 26 | | | LOCK, PADDLE, HANDLE, LOCKING W/O KEY | SHOWN |
| 26 | 0948588 | | LOCK,PADDLE HANDLE,LOCKING,PRIMED | WITHOUT KEY, SHOWN |
| 26 | 2134468 | 4 | CYLINDER,PADDLE LOCK,KEYED LL-25 | KEYED, LL-25 |
| 26 | 4298956 | 4 | SEAL,RUBBER,LOCK CYLINDER,LUGG COMPT | |
| 26 | 4298964 | 4 | RETAINER,SPRING CLIP,LOCK CYL,LUGG | |
| 26 | 0948596 | | LOCK ASSY,LUG&TIRE,NON-LOCKING | |

Models: AAFE, AARE, A3RE, TCFE, TCRE

**TIRE
COMPARTMENT**

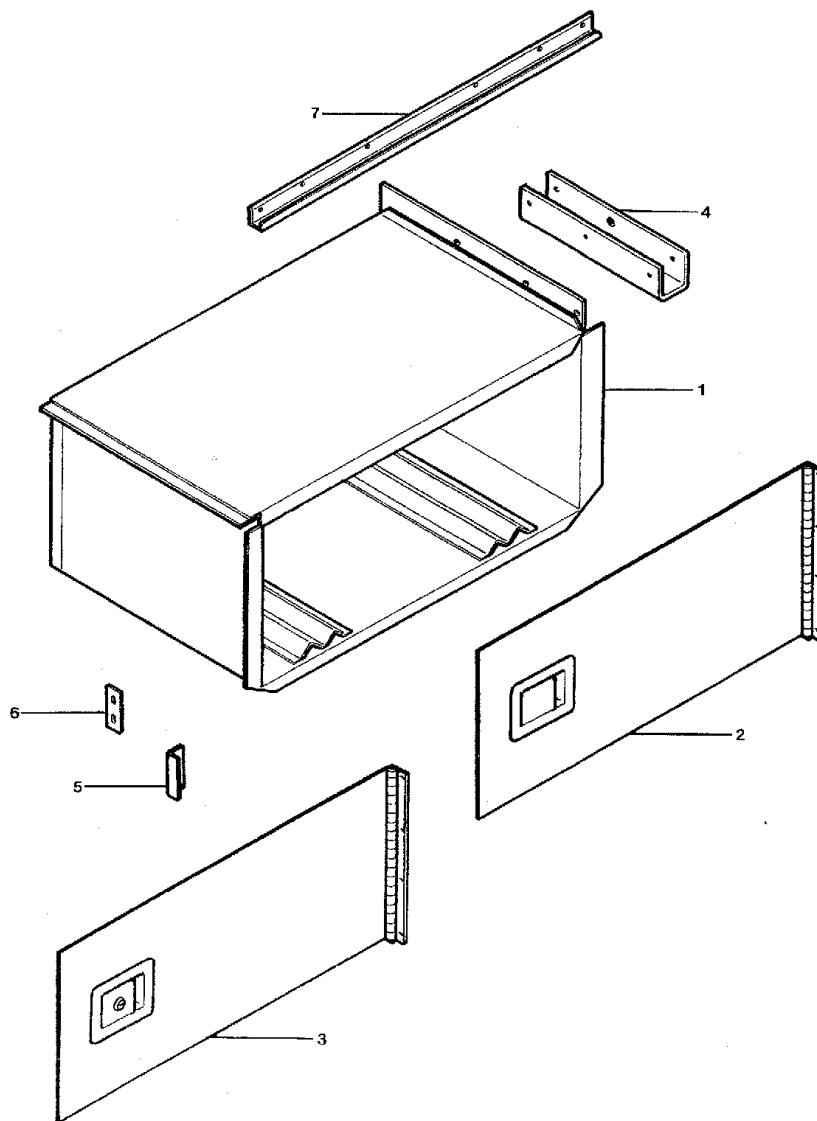
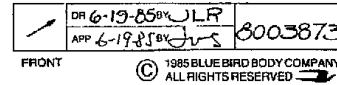
With Features: OPTION 0185, 0187

| Key | PartNumber | Qty | Description | Comment |
|-----|------------|-----|---------------------------------------|-------------|
| NI | 0994384 | | PLATE,SPARE TIRE RETAINER,DISC WHEEL | OPTION 0185 |
| NI | 0994400 | | PLATE,SPARE TIRE RETAINER,SPOKE WHEEL | OPTION 0185 |

Models: AAFE, AARE, A3FE, A3RE, BBCV, CSFE, CSRE, MBWB, SBCV, TCPE, TCRE, TSFE
 TOOL
 With Features: OPTION 0194, 195
 BSN: From BSN 011286 361175 GMCV 011438

| Key | PartNumber | Qty | Description | Comment |
|-----|------------|-----|-------------|---------|
|-----|------------|-----|-------------|---------|

OPT. 0195, TOOL COMPARTMENT



REVISED 10-2-89

20600

Models: AAFE, AARE, A3FE, A3RE, BBCV, CSFE, CSRE, MBWB, SBCV, TCPE, TCRE, TSFE
TOOL
With Features: OPTION 0194, 195
BSN: From BSN 011286 361175 GMCV 011438

| Key | PartNumber | Qty | Description | Comment |
|-----|------------|-----|---|---|
| 1 | 1442318 | | BOX ASSY,TOOL,LH | |
| 2 | | | N/A | |
| 3 | | | DOOR ASSY, LOCKING | <i>WITH OUT KEYS, ENDING WITH BSN 0018804. 256958. 369411</i> |
| 3 | 1651710 | | PANEL ASSY,DOOR,BATTERY BOX | <i>STANDARD WITH OUT KEYS ENDING WITH BSN 0018804. 256958. 369411</i> |
| 3 | 1651736 | | PANEL ASSY,DOOR,BATTERY BOX,HD,E-COAT | <i>E-COAT, OPTION 2309 WITH OUT KEYS BEGIN WITH BSN 0018805, 256959, 369412</i> |
| NI | 1839836 | AR | PANEL,DOOR,BATTERY BOX,HEAVY DUTY, | <i>STANDARD</i> |
| NI | 1839851 | AR | PANEL,DOOR,BATTERY BOX,HEAVY DUTY,E- | <i>OPTION 2309. E-COAT</i> |
| NI | 1842228 | 2 | HINGE GUIDE | |
| NI | 1842582 | 2 | PIN HINGE | |
| NI | 1842541 | 4 | SCREW,12-14 X 1,AB,PH1,PAN HD,YELLOW | |
| NI | 1651835 | | LATCH,LOCK,W/SPLIT GASKET,PUNCHED, | <i>WITH OUT KEYS</i> |
| NI | 1651850 | | LATCH,LOCK,W/SPLIT GASKET,PUNCHED,E- | <i>WITH OUT KEYS</i> |
| NI | 0848747 | | KEY,LL-25,LOCKING COMPARTMENTS | <i>KEY</i> |
| 4 | 1492859 | | CHANNEL,MTG,HEAVY DUTY BATTERY BOX | <i>35" SECTION ONLY</i> |
| 5 | 0332544 | | PLATE,STRIKER,TIRE COMPARTMENT | |
| 6 | 0525618 | | SPACER,STRIKER,LUGGAGE & TIRE | |
| 7 | 1124833 | | MOLDING,DRIP,BATTERY CMPT,26,PRIMED, | |
| NI | 1244128 | | CAP,PLUG,1 3/4,DIA HOLE | |
| NI | 0610725 | | CAPSCREW,HEX HD,5/16-18X1 1/4,GR8, | |
| NI | 0984369 | | NUT,HEX HD,5/16-18,GR 8,ZINC | |
| NI | 2001188 | | LOCKWASHER,SPLIT RING, 5/16,MED,YEL ZN | |
| NI | 2000024 | | SCREW,1/4-14 X 3/4,B,HEX HD,YEL ZN DICH | |
| NI | 2000057 | | CAPSCREW,HEX HD,1/4-20 X 1,GR 5,YEL ZN | |
| NI | 2001345 | | NUT,HEX HD,1/4-20,LOCKING,YELLOW | |
| NI | 2001170 | | LOCKWASHER,SPLIT RING, 1/4 ,MED,YEL ZN | |

VCTA

Models: AAFE, AARE, A3FE, A3RE, BBCV, CSFE, CSRE, MBWB, T2RE, TCPE, TCRE, TSFE,

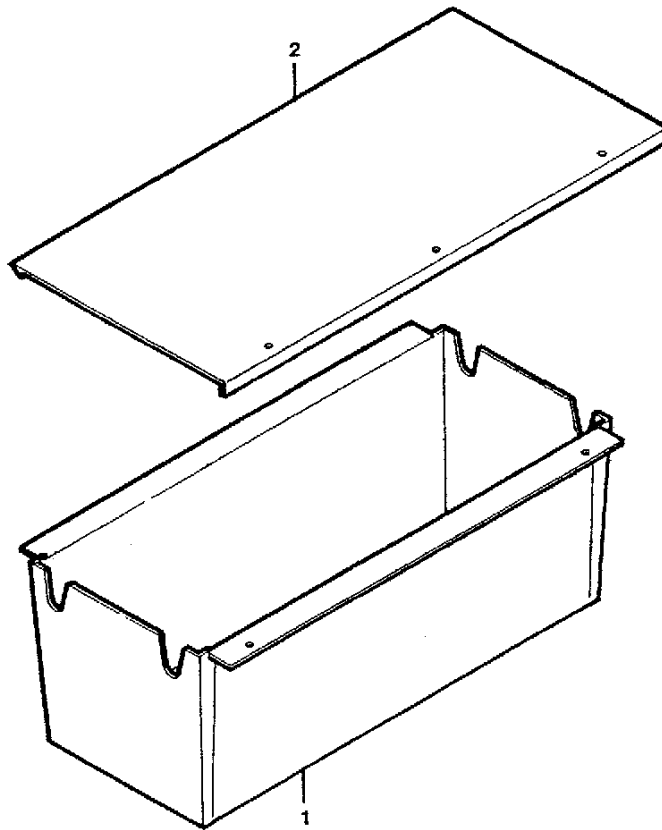
With Features: TOOL BOX, LOCKING, UNDER SEAT OPTION 3205

| Key | PartNumber | Qty | Description | Comment |
|-----|------------|-----|-------------|---------|
|-----|------------|-----|-------------|---------|

OPT. 3205, LOCKING UNDERSEAT TOOL BOX

| | |
|--------------------|---------|
| DR 7/14/83 BY JET | 8002396 |
| APP 7-25-83 BY JLS | |

© 1983 BLUE BIRD BODY COMPANY
ALL RIGHTS RESERVED



VCTA

Models: AAFE, AARE, A3FE, A3RE, BBCV, CSFE, CSRE, MBWB, T2RE, TCPE, TCRE, TSFE,

With Features:

**TOOL
BOX, LOCKING, UNDER SEAT
OPTION 3205**

| Key | PartNumber | Qty | Description | Comment |
|-----|------------|-----|-------------------------------------|---------|
| 1 | 0185850 | | TOOL BOX ASSY,UNDERSEAT | |
| 1 | 0004978 | | BOX ASSEMBLY,TOOL,UNDERSEAT,PAINTED | |
| 2 | 0193011 | | LID,UNDERSEAT TOOL BOX | |
| 2 | 0004986 | | LID,UNDERSEAT TOOL BOX,PAINTED | |