

**Body**

**460 Accessories**

AUXILIARY FAN  
6 INCH

*With: OPTION 0525, 0531, 0532, 0535, 0540, 0541, 0542, 0546, 0548* \_\_\_\_\_ 1

BLOWER, SQUIRREL CAGE

*With: FEATURE 30026-08* \_\_\_\_\_ 2

CHART, ADD ON OPTIONS

\_\_\_\_\_ 3

\_\_\_\_\_ 4

\_\_\_\_\_ 5

CHIME

*With: OPTION 3040* \_\_\_\_\_ 6

GRIP HANDLES

*With: OPTION 3110* \_\_\_\_\_ 7

GROMMET CHART

\_\_\_\_\_ 8

HOLDER ASSY, CERTIFICATE

*With: OPTION 2605, 2610 or FEATURE 30756 -01, -02* \_\_\_\_\_ 9

HORN ASSY, HIGH & LOW NOTE

\_\_\_\_\_ 10

HORN INSTALLATION, SLEEPING CHILD CHECK

*With: FEATURE 30195-11* \_\_\_\_\_ 11

HORN, AIR

FOOT CONTROL

*With: OPTION 4449* \_\_\_\_\_ 12

ROOF MOUNTED

*With: OPTION 4427* \_\_\_\_\_ 13

HORN, BACKING SAFETY

*With: FEATURE 30310* \_\_\_\_\_ 14

MAP & DOCUMENT COMPARTMENT

\_\_\_\_\_ 15

U.K. UNITS ONLY

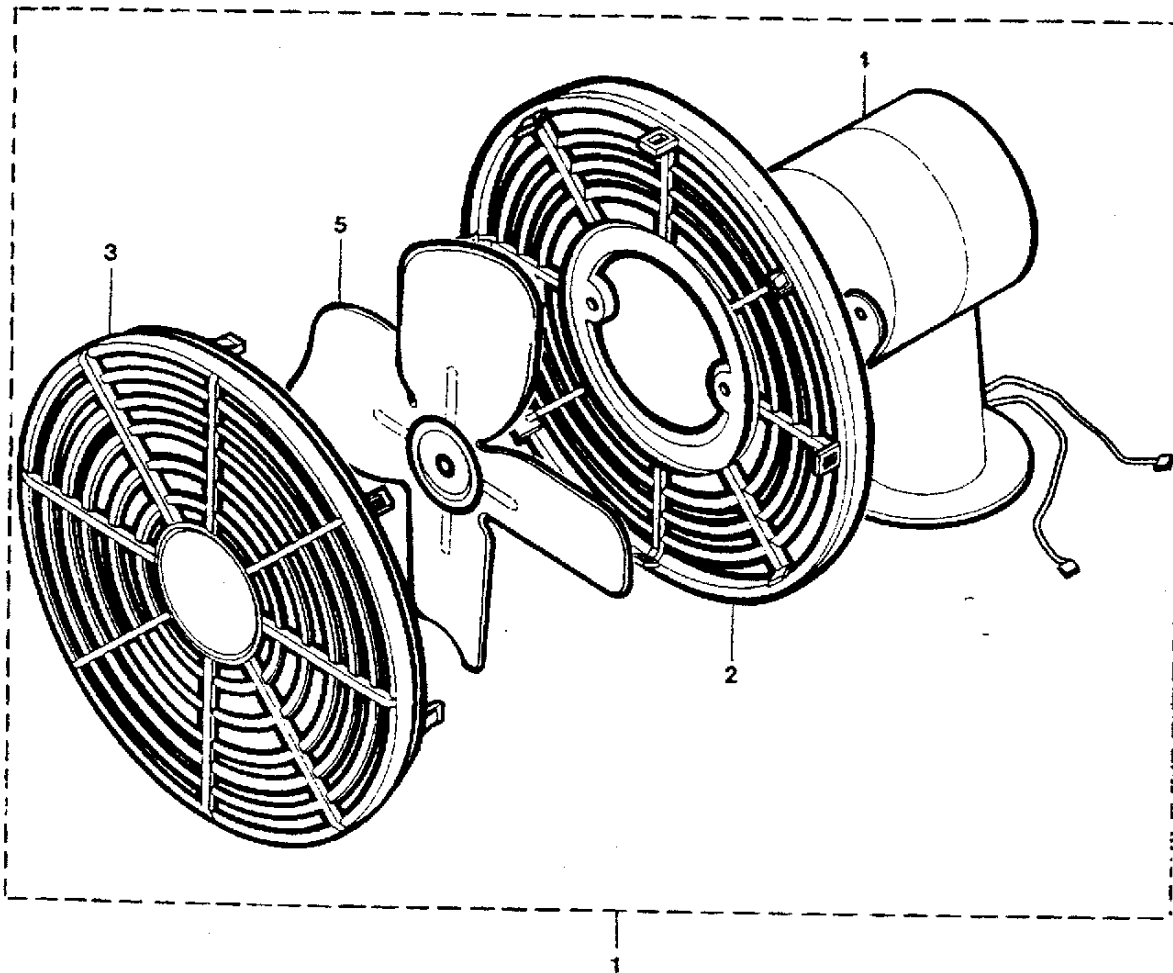
	16
MUDFLAPS	
<i>With: STD</i>	
<i>From BSN 0022484 0191751 0260162 0373871 997469</i>	17
<i>With: OPTION 0581, 0582, 0584</i>	
<i>From BSN 0022484 0191751 0260162 0373871 997469</i>	18
BRACKET, ANTI-SAIL	
<i>With: FEATURE 30513-01</i>	19
FULL WIDTH	
<i>With: OPTION 0602-03</i>	20
MUDFLAPS & RUBBER FENDERS	
<i>With: OPTION 0580, 0586, 0600, 0605</i>	21
ROOF EXHAUST	
<i>With: OPTION 0550, 0551</i>	22
ROOF LUGGAGE RACK	
<i>With: OPTION 2629</i>	23
SUN VISOR ASSY	
<i>With: OPTION 3180, 3182; FEATURE 30767 -01, -02, -03, -04</i>	24
U.K. UNITS ONLY	
<i>With: OPTION 3180</i>	25
TOOLS	
	26
WIG-WAG, AIR, PRESSURE INDICATOR	
<i>With: OPTION 1462</i>	27

**Models:** AAFE, AARE, A3FE, A3RE, B1VC, B2VC, C1FE, CSFE, CSRE, GMCV, MBWB, SBCV, T2RE, TCFE, TCRE, TSFE, VCTA  
**AUXILIARY FAN**  
**6 INCH**  
**With Features:** OPTION 0525, 0531, 0532, 0535, 0540, 0541, 0542, 0546, 0548

Key	PartNumber	Qty	Description	Comment
-----	------------	-----	-------------	---------

DR 6-26-85 BY LAD	80039 15
APP 6-27-85 BY [Signature]	

FRONT  
 © 1985 BLUE BIRD BODY COMPANY  
 ALL RIGHTS RESERVED

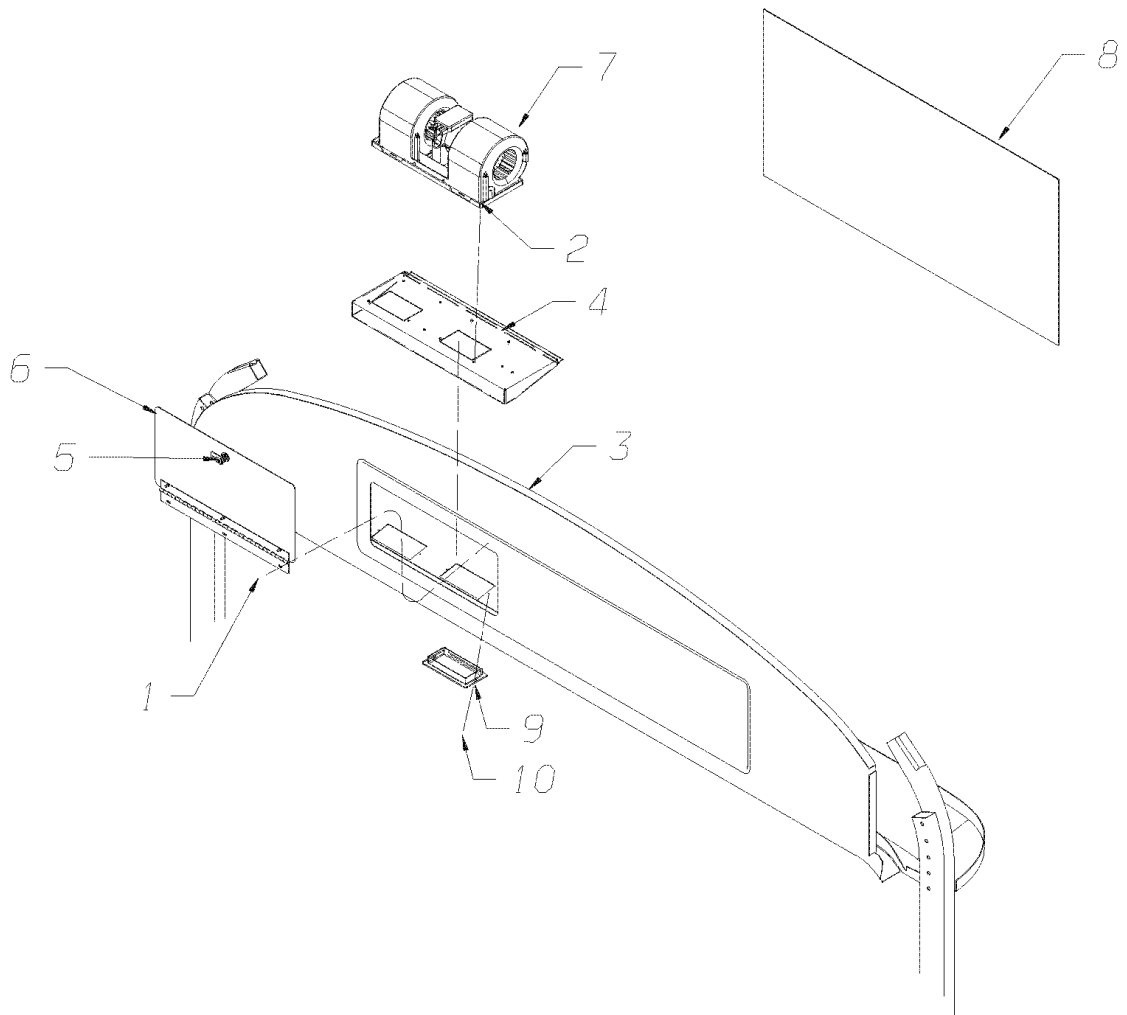


**Models:** AAFE, AARE, A3FE, A3RE, B1VC, B2VC, C1FE, CSFE, CSRE, GMCV, MBWB, SBCV, T2RE, TCFE, TCRE, TSFE, VCTA  
**AUXILIARY FAN  
 6 INCH**  
**With Features:** OPTION 0525, 0531, 0532, 0535, 0540, 0541, 0542, 0546, 0548

Key	PartNumber	Qty	Description	Comment
1	0666719		FAN,AUXILIARY,2 SPEED,6IN	
2	2146694		GUARD,FRONT, 6" AUXILLIARY FAN	<i>INCLUDES. AVAILABLE ONLY IN KIT</i>
2			FRONT & REAR GUARD	
3	2146694		GUARD,FRONT, 6" AUXILLIARY FAN	<i>INCLUDES. AVAILABLE ONLY IN KIT</i>
3			FRONT & REAR GUARD	
4	0935494		MOTOR,DEFROSTER FAN	
5	2115483		BLADE,FAN,DEFROSTER,6IN,ELECTROHOME	
NI	2105013		BASE ASSY,6IN DEFROSTER FAN	
NI	1077643		PLATE,MTG,AUXILIARY FAN	<i>OPTION 0535</i>
NI	1073311		NUT,PANEL,HEX HD,1/2-20,YEL ZN DICH	
NI	1499094		SWITCH,3 POSN,HEATER	
NI	0890277		PLATE ASSY,MTG,AUXILIARY FAN, AA	<i>OPTION 0525</i>
NI	1434562		BRACKET,AUXILIARY FAN MOUNT, TCFC	
NI	1170869		BREAKER,CIRCUIT,8AMP	
NI	0004036		BRACKET,MTG,FAN,UPPER LEFT	<i>TSFE ONLY</i>

**Models:** A3FE, A3RE, BBCV  
**With Features:** BLOWER, SQUIRREL CAGE  
FEATURE 30026-08

Key	PartNumber	Qty	Description	Comment
-----	------------	-----	-------------	---------



**Models:** A3FE, A3RE, BBCV  
**With Features:** BLOWER, SQUIRREL CAGE  
 FEATURE 30026-08

Key	PartNumber	Qty	Description	Comment
1	2000511		SCREW,10-16 X 1/2,AB,PH1,TRUSS HD,	
2	1268119		SCREW,1/4-20X1/2,F,PH1,PAN HD,YEL ZN DICH	
3	0098397		PANEL,ACCESS,FRT UPPER INR,W/BLOWER,	
4	0098396		BRACKET,MTG,BLOWER ASSY,SQUIRREL CAGE,	
5	0098401		LATCH,DOOR,ACCESS,BLOWER,SQUIRREL	
6	0098392		DOOR,ASSY,ACCESS,BLOWER,SQUIRREL CAGE,	
7	0098407		BLOWER,ASSY,SQUIRREL CAGE,BERGSTROM	
8	0098470		FLOOR COVERING,CLOSEOUT,SQUIRREL CAGE	
9	3733003		LOUVRE,RECTANGULAR,ADJUSTABLE	
10	3750734		SCREW,SM,PH,PN/HD,6-20 X 3/4,TYPE AB,A3R	

**Models: A3FE, A3RE, AAFE, AARE, B1VC, B2VC, C1FE, CSFE, CSRE, GMCV, MBWB, QBRE, SBCV, T2RE, TCEV, TCFE, TCRE, TSFE, VCTA CHART, ADD ON OPTIONS**

Key	PartNumber	Qty	Description	Comment
1	2130649		OPT 0122 AIR CONDITIONER ASSY AM-M4	OPTION 0122, AIR CONDITIONER ASSEMBLY ,AM-M45.5
2	2133080		OPT 0153 BATTERY BOX,COMPLETE NON-	OPTION 0153, BATTERY BOX, COMPLETE NON-LOCKING
3	2126548		OPT 0153 BATTERY BOX,W/OPT 0198-02	OPTION 0153, BATTERY BOX, WITH OPTION 0198-02, LOCKING
4	4280004		OPT 0156 BATT BOX,LGE ENCLOSED,OLD STYLE	OPTION 0156, BATTERY BOX, LARGE ENCLOSED, OLD STYLE
5	4305538		OPT 0156 BATT BOX,LGE ENCLOSED,NEW	OPTION 0156, BATTERY BOX, LARGE ENCLOSED, NEW STYLE
6	4311890		OPT 0156,BATTERY BOX,LRGE CLOSED LKG	OPTION 0156, BATTERY BOX, LARGE CLOSED LOCKING
7	4327268		OPT 166 SING LUG CMPT,NON/LKG,16 1/4 SKT	OPTION 0166, SINGLE LUGGAGE COMPARTMENT, NON-LOCKING, 16 1/4 SKIRT
8	4327250		OPT 166 SINGLE LUG CMPT,LKG,16 1/4 SKT	OPTION 0166, SINGLE LUGGAGE COMPARTMENT, LOCKING, 16 1/4 SKIRT
9	4319000		OPT 166 SINGLE LUG CMPT,LKG,19 3/4 SKT	OPTION 0166, SINGLE LUGGAGE COMPARTMENT, LOCKING, 19 3/4 SKIRT
10	4319018		OPT 166 SINGLE LUG CMPT,NON/LKG,19 3/4	OPTION 0166, SINGLE LUGGAGE COMPARTMENT, NON-LOCKING, 19 3/4 SKIRT
11	4301669		OPT.166,LUGGAGE COMPT,22HT CONV	OPTION 0166, SINGLE LUGGAGE COMPARTMENT, 22" CONV
12	4285326		OPT 0167 SNGL LUG CMPT,NON LKNG,16 & 19	OPTION 0167, SINGLE LUGGAGE COMPARTMENT, NON-LOCKING, 16 & 19 SKIRT
13	4284782		OPT 0168 DBL LUG CMPT LKG 16 & 19 SKIRT	OPTION 0168,DOUBLE LUGGAGE COMPARTMENT, LOCKING, 16 & 19 SKIRT
14	2152247		OPT 0168 DOUBLE LUGGAGE	OPTION 0168, DOUBLE LUGGAGE
15	4284790		OPT 0169-01&02,DBL LUG CMPT,RH/LH,16 & 19	OPTION 0169-01 & 02, DOUBLE LUGGAGE COMPARTMENT, RH/LH, 16 & 19 SKIRT
16	4322533		OPT 0169-09 & 02 LH OR RH DBLE LUG CMPT	OPTION 0169-09 & 02, LH OR RH DOUBLE LUGGAGE COMPARTMENT, LOCKING
17	2123354		OPT 0170 LUG CMPT W/OPT196 LK 16 & 19	OPTION 0170, LUGGAGE COMPARTMENT, WITH OPTION 196 LK, 16 & 19 SKIRT
18	2129484		OPT 0170 SNGL LUG NON-LOCKING, 16 & 19	OPTION 0170, SINGLE LUGGAGE COMPARTMENT, NON-LOCKING, 16 & 19 SKIRT
19	4297131		OPT 0174 DOUBLE LUGGAGE COMPT NEW LOOK	OPTION 0174, DOUBLE LUGGAGE COMPARTMENT, NEW LOOK
20	2123362		OPT 0175 DBL LUG CMPT W/OPT 197 LKG	OPTION 0175, DOUBLE LUGGAGE COMPARTMENT, WITH OPTION

**Models: A3FE, A3RE, AAFE, AARE, B1VC, B2VC, C1FE, CSFE, CSRE, GMCV, MBWB, QBRE, SBCV, T2RE, TCEV, TCFE, TCRE, TSFE, VCTA CHART, ADD ON OPTIONS**

Key	PartNumber	Qty	Description	Comment
				<i>197, LOCKING HANDLE</i>
21	4328522		OPT 0175 DBL LUG CMPT,W/OPT 197 & 4581	<i>OPTION 0175, DOUBLE LUGGAGE COMPARTMENT, WITH OPTION 197 &amp; 4581 LOCKING LE</i>
22	2149474		OPT 0175 LUGGAGE COMPARTMENT	<i>OPTION 0175 LUGGAGE COMPARTMENT, NON-LOCKING</i>
23	2127868		OPT 0176-01 & 0197-01 DBL CMPT W/LOCK	<i>OPTION 0176-01 &amp; 0197-01, DOUBLE COMPARTMENT WITH LOCK</i>
24	2133957		OPT 0179-03 PUSH THRU LUGGAGE	<i>OPTION 0179-03, PUSH THRU LUGGAGE COMPARTMENT</i>
25	4295366		OPT 0182-01 LUGGAGE RACK RR/DRIVER-	<i>OPTION 0182-01, LUGGAGE RACK, REAR/ DRIVER-BLACK</i>
26	2123388		OPT 0185 & 187 TIRE CMPT,W/LKG HANDLE	<i>OPTION 0185 &amp; 0187, TIRE COMPARTMENT, WITH LOCKING HANDLE</i>
27	2149466		OPT 0185 TIRE COMPARTMENT NON/LOCKING	<i>OPTION 0185, TIRE COMPARTMENT, NON-LOCKING</i>
28	4283719		OPT 0193 TOOL COMPT RH	<i>OPTION 0193, TOOL COMPARTMENT, RH</i>
29	4282323		OPT 0195-01,TOOL COMPARTMENT,RH 28IN	<i>OPTION 0195-01, TOOL COMPARTMENT, RH 28"</i>
30	2126126		OPT 1330 U S HEATER 50,000 BTU	<i>OPTION 1330, UNDERSEAT HEATER, 50,000 BTU</i>
31	4297420		OPT 2553-03,BOOK RACK,2-28,1-35	<i>OPTION 2553-03, BOOK RACK, 2-28, 1-35</i>
32	2130425		OPT 2553-04 BOOK RACK 2-35,2-28 74 HR DOT	<i>OPTION 2553-04, BOOK RACK, 2-35, 2-28, 74" HR, DOT</i>
33	2133734		OPT 2553-04 BOOK RACK 74HR 4-28IN SECT	<i>OPTION 2553-04, BOOK RACK, 74" HR, 4-28" SECTIONS</i>
34	2129708		OPT 2553-07 BOOK RACK 6-28&1-35 FOR 2304	<i>OPTION 2553-07, BOOK RACK, 6-28 &amp; 1-35" SECTION FOR 2304</i>
35	2131829		OPT 2553-07 BOOK RACK 7-28'S 74 HR NON-SB	<i>OPTION 2553-07, BOOK RACK, 7-28" SECTIONS, 74" HR, NON-SCHOOL BUS</i>
36	2133866		OPT 2553-08 BOOK RACK ALUMINIZED	<i>OPTION 2553-08, BOOK RACK, ALUMINIZED</i>
37	2130367		OPT 2553-09 BOOK RACK 5-28,3-35,2	<i>OPTION 2553-09, BOOK RACK, 5-28, 3-35, 2</i>
38	4280384		OPT 2553-09 BOOK RACK 9-28	<i>OPTION 2553-09, BOOK RACK, 9-28</i>
39	2130383		OPT 2553-09 BOOK RCK 6-28,3-35 74HR NON-	<i>OPTION 2553-09, BOOK RACK, 6-28, 3-35, 74" HR NON-DOT</i>
40	2130839		OPT 2553-10 BOOK RACK CV 2909	<i>OPTION 2553-10, BOOK RACK, CV 2909</i>
41	4280095		OPT 2553-10 BOOK RACK 2-35 8-28	<i>OPTION 2553-10, BOOK RACK, 2-35, 8-28</i>
42	2127769		OPT 2553-10 BOOK RACK 7-28-3-35	



**Models:** A3FE, A3RE, AAFE, AARE, B1VC, B2VC, C1FE, CSFE, CSRE, GMCV, MBWB, QBRE, SBCV, T2RE, TCEV, TCFE, TCRE, TSFE, VCTA  
**CHART, ADD ON OPTIONS**

Key	PartNumber	Qty	Description	Comment
				-28, 3-35
43	4299160		OPT 2553-11 BOOK RACK,11-28 SECTIONS	OPTION 2553-11, BOOK RACK, 11-28 SECTIONS
44	2149722		OPT 2555-11 BOOK RACK 10-28IN-2-35IN	OPTION 2555-11, BOOK RACK, 10-28, 2-35
45	2127157		OPT 2553-12 BOOK RACK 11-28&1-35 NON SB	OPTION 2553-12, BOOK RACK, 11-28 & 1-35, NON SCHOOL BUS
46	2123370		OPT 2553-14 BOOK RACK 74HR BODY	OPTION 2553-14, BOOK RACK, 74" HR, BODY MODEL 3903
47	4305132		OPT. 2615-11,PARCEL RACK,74 HR,W A/C	OPTION 2615-11, PARCEL RACK, 74" HR, WITH A/C
48	2127777		OPT 2615-03 DELUXE PARCEL RACK, MBCC	OPTION 2615-03, DELUXE PARCEL RACK MBCC

**Models: A3FE, A3RE, AAFE, AARE, B1VC, B2VC, C1FE, CSFE, CSRE, GMCV, MBWB, QBRE, SBCV, T2RE, TCEV, TCFE, TCRE, TSFE, VCTA CHART, ADD ON OPTIONS**

Key	PartNumber	Qty	Description	Comment
49	8301087		OPT. 2615-03 PARCEL RACK	OPTION 2615-03, PARCEL RACK
50	2133940		OPT 2615-04 PARCEL RACK FOR, MBCC	OPTION 2615-04, PARCEL RACK FOR MBCC
51	2157832		OPT 2615-05 PARCEL RACK	OPTION 2615-05, PARCEL RACK
52	4300083		OPT 02615-05 PARCEL RACK,MBWB	OPTION 2615-05, PARCEL RACK, MBWB
53	2141059		OPT 2615-06 PARCEL RACK	OPTION 2615-06, PARCEL RACK
54	2149995		OPT 2615-07 PARCEL RACK	OPTION 2615-07, PARCEL RACK
55	2127223		OPT 2615-08 DELUXE PARCEL RACK	OPTION 2615-08, DELUXE PARCEL RACK
56	2140663		OPT 2615-09 DELUXE PARCEL RACK	OPTION 2615-09, DELUXE PARCEL RACK
57	4282414		OPT 2615-09 PARCEL RACK 28" SECT	OPTION 2615-09, PARCEL RACK, 28" SECTION
58	4297677		OPT 2615-09 PARCEL RACK 77" 12" OPEN	OPTION 2615-09, PARCEL RACK, 77" 12" OPENING
59	2126761		OPT 2615-10 PARCEL RACK 74HR BODY 3303	OPTION 2615-10, PARCEL RACK, 74" HR BODY 3303
60	2123446		OPT 2615-10 PARCEL RACK 74HR 28 SECT	OPTION 2615-10, PARCEL RACK, 74" HR 28 SECT
61	4322608		OPT 2615-10 PARCEL RACK,77 HR	OPTION 2615-10, PARCEL RACK, 77" HR
62	2127082		OPT 2615-11 DELUXE PARCEL RACK 11 28IN	OPTION 2615-11, DELUXE PARCEL RACK, 11 28" SECTIONS
63	4296919		OPT 2615-11 PARCEL RACK,5-35,6-28,77HR	OPTION 2615-11, PARCEL RACK, 5-35, 6-28, 77" HR
64	4282448		OPT 2615-11 PARCEL RACK,7-28 4-35	OPTION 2615-11, PARCEL RACK, 7- 28, 4-35
65	4278354		OPT 2615-11 SPECIAL FOR F-57823	OPTION 2615-11, SPECIAL FOR F -57823
66	2126902		OPT 2615-12 PARCEL RACK 74" HR	OPTION 2615-12, PARCEL RACK,74" HR
67	2147189		OPT 2615-13 PARCEL RACK	OPTION 2615-13, PARCEL RACK
68	4304002		OPT 2615-13 PARCEL RACK,74 HR,W/A/C	OPTION 2615-13, PARCEL RACK, 74" HR, WITH A/C
69	4313235		OPT 2615-13,DELUXE PARCEL RACK,77HR	OPTION 2615-13, DELUXE PARCEL RACK, 77" HR
70	2123792		OPT 2615-14 DEL PARCEL RACK 74" HR	OPTION 2615-14, DELUXE PARCEL RACK, 74" HR
71	4297065		OPT 2615-14 DELUXE PARCEL RACK 77HR	OPTION 2615-14, DELUXE PARCEL RACK, 77" HR
72	4297875		OPT 2615-14 PARCEL RACK,77",12" OPEN	OPTION 2615-14, PARCEL RACK, 77" HR, 12" OPENING
73	4319240		OPT 2615-14 W/58997-09,DEL PARCEL RACK,	OPTION 2615-14, WITH 58997 -09, DELUXE PARCEL RACK, OXEN
74	4312203		OPT 2629-03 ROOF RACK 3-28 SECT.	

**Models: A3FE, A3RE, AAFE, AARE, B1VC, B2VC, C1FE, CSFE, CSRE, GMCV, MBWB, QBRE, SBCV, T2RE, TCEV, TCFE, TCRE, TSFE, VCTA CHART, ADD ON OPTIONS**

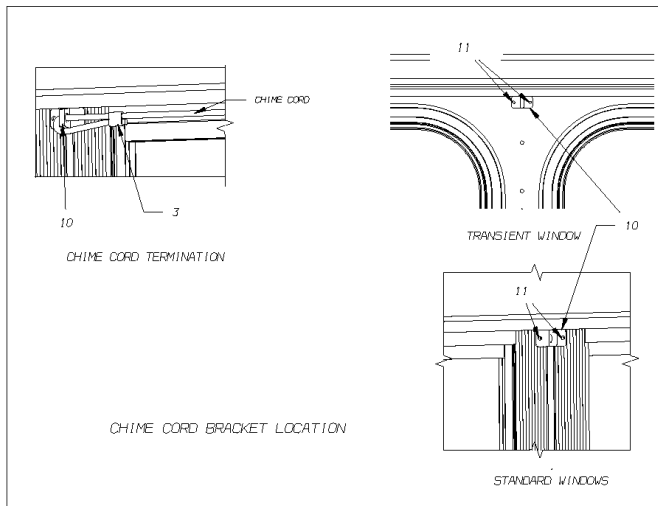
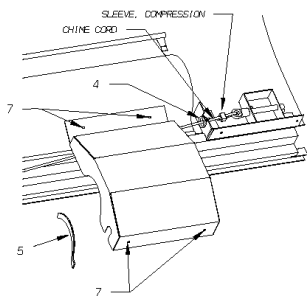
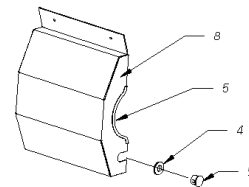
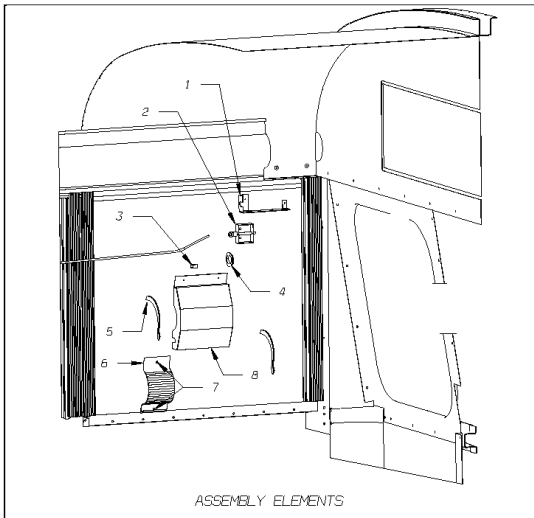
Key	PartNumber	Qty	Description	Comment
				-28 SECTIONS
75	2126860		OPT 2629-04 ROOF RACK 4-28 SECT	OPTION 2629-04, ROOF RACK, 4-28 SECTIONS
76	2151561		OPT 2629-05 ROOF RACK	OPTION 2629-05, ROOF RACK
77	2153377		OPT 2629-06 ROOF RACK, (6-28)	OPTION 2629-06, ROOF RACK. 6-28
78	4280368		OPT 2629-07 ROOF RACK	OPTION 2629-07, ROOF RACK
79	2127256		OPT 2629-08 ROOF LUGGAGE	OPTION 2629-08, ROOF LUGGAGE
80	2151223		OPT 2629-09 ROOF RACK	OPTION 2629-09, ROOF RACK
81	2126308		OPT 2630-04 ROOF LUGGAGE W/LADDER	OPTION 2630-04, ROOF LUGGAGE WITH LADDER
82	2127090		OPT 2630-06 ROOF LUGGAGE RACK 6-28 SECT	OPTION 2630-06, ROOF LUGGAGE RACK, 6-28 SECTIONS
83	2131894		OPT 2630-07 ROOF LUGGAGE RACK 7-28S	OPTION 2630-07, ROOF LUGGAGE RACK, 7-28 SECTIONS
84	2123347		OPT 2631-05 ROOF LUGGAGE RACK W/AC	OPTION 2631-05, ROOF LUGGAGE RACK WITH AC
85	2127702		OPT 2631-10 LUGGAGE ROOF RACK W/AC	OPTION 2631-10, LUGGAGE ROOF RACK WITH AC
86	2129252		OPT 2755-02 RESTRAINING BELT 39 SEAT	OPTION 2755-02, RESTRAINING BELT, 39 SEAT
87	2126407		OPT 2802-01 PADDED SEATING CMPT IND CMPT	OPTION 2802-01, PADDED SEATING COMPARTMENT, IND COMPARTMENT
88	2126415		OPT 2802-02 PADDED SEAT CMPT-ADD-ON	OPTION 2802-02, PADDED SEAT COMPARTMENT, ADD-ON
89	2126423		OPT 2802-03 PADDED SEATING CPT PLASTIC	OPTION 2802-03, PADDED SEATING COMPARTMENT, PLASTIC SHI
90	4296927		OPT 3051 DEST SIGN,FRONT OR REAR	OPTION 3051, DESTINATION SIGN, FRONT OR REAR
91	2126985		OPT 3078-10 DELUXE STANDEE RAIL	OPTION 3078-10, DELUXE, STANDEE RAIL
92	4301842		OPT. 3078-13,DELUXE STANDEE RAIL	OPTION 3078-13, DELUXE, STANDEE RAIL
93	2148682		OPT 3128 CROSSING CONTROL ARM,VAC	OPTION 3128, CROSSING CONTROL ARM, VAC A AFC & AARE
94	2141075		OPT 3128 FORD VAC,CROSSING ARM	OPTION 3128, FORD VAC, CROSSING ARM

**Models: A3FE, A3RE, AAFE, AARE, B1VC, B2VC, C1FE, CSFE, CSRE, GMCV, MBWB, QBRE, SBCV, T2RE, TCEV, TCFE, TCRE, TSFE, VCTA CHART, ADD ON OPTIONS**

Key	PartNumber	Qty	Description	Comment
95	2141083		OPT 3128 GMC VAC CROSSING ARM	<i>OPTION 3128, GMC</i>
96	2141067		OPT 3128 IHC VAC,CROSSING ARM	<i>OPTION 3128, IHC VAC, CROSSING ARM</i>
97	4298816		OPT 3128-02 CROSSING CTRL ARM W/LIGHT	<i>OPTION 3128-02, CROSSING CONTROL ARM WITH LIGHT, VAC</i>
98	2148690		OPT 3129 CROSSING CONTROL ARM,AIR	<i>OPTION 3129, CROSSING CONTROL ARM, AIR AAFC &amp; AARE</i>
99	2141091		OPT 3129 FORD AIR, CROSSING ARM	<i>OPTION 3129, FORD AIR, CROSSING ARM</i>
10	2141109		OPT 3129 GMC AIR CROSSING ARM	<i>OPTION 3129, GMC</i>
10	2141117		OPT 3129 IHC AIR CROSSING ARM	<i>OPTION 3129, IHC AIR CROSSING ARM</i>
10	4311130		OPT 3129-01,GMCV 200,AIR CROSSING ARM,	<i>OPTION 3129-01, GMCV</i>
10	2150985		OPT 3131 CONTROL ARM ELECTRIC,FORD	<i>OPTION 3131, CONTROL ARM ELECTRIC, FORD</i>
10	2150969		OPT 3131 CROSSING CTRL ARM ELEC GMC	<i>OPTION 3131, GMC</i>
10	2150993		OPT 3131 CROSSING CTRL ARM ELEC FLAT BPR	<i>OPTION 3131, CROSSING CONTROL ARM, ELECTRIC FLAT BUMPER</i>
10	2150977		OPT 3131 CROSSING CTRL ARM ELEC IHC	<i>OPTION 3131, CROSSING CONTROL ARM, ELECTRIC IHC</i>
10	2160901		OPT 3131-02 CROSSING CONTROL ARM,	<i>OPTION 3131-02, CROSSING CONTROL ARM, ELECTRIC</i>
10	2161560		OPT 3131-02 CROSSING CONTROL ARM,	<i>OPTION 3131-02, CROSSING CONTROL ARM, ELECTRIC</i>
10	2131100		OPT 6214 56 LIFT COMPLETE	<i>OPTION 6214, 56 LIFT COMPLETE</i>
11	2126118		OPT 6885 BOOK RACK PADDED,7-28 & 1-35	<i>OPTION 6885, BOOK RACK PADDED, 7-28 &amp; 1-35</i>
11	2127322		OPT 6885-08 PADDED BOOK RACK	<i>OPTION 6885-08, PADDED BOOK RACK</i>

**Models:** A3FE, A3RE, BBCV, SBCV  
**CHIME**  
**With Features:** OPTION 3040

Key	PartNumber	Qty	Description	Comment
-----	------------	-----	-------------	---------



**Models:** A3FE, A3RE, BBCV, SBCV  
**CHIME**  
**With Features:** OPTION 3040

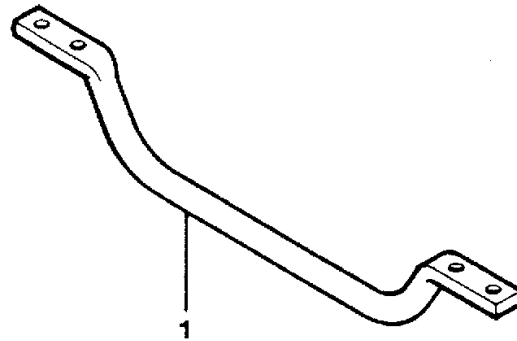
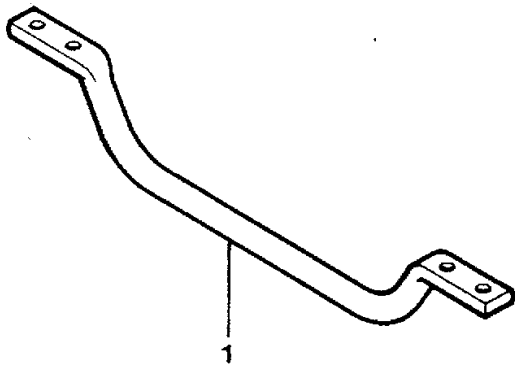
Key	PartNumber	Qty	Description	Comment
1			BRACKET, CHIME COVER	
1			74 HR	
1	0056437		BRACKET,COVER,CHIME,74,RH,OPT 03040	
1	0056908		BRACKET,COVER,CHIME,74,LH,OPT 03040	
1			77 HR	
1	0056438		BRACKET,COVER,CHIME,77,RH,OPT 03040	
1	0056909		BRACKET,COVER,CHIME,77,LH,OPT 03040	
2	2006179		SWITCH,PASSENGER SIGNAL	
3	0839886		SLEEVE,COMPRESSION,3/16,THIN WALL	
4	2003226		GROMMET,RUBBER,W/S WIPER	
5	2004547		TRIM,INSTRUMENT HOOD,VINYL EDGE,BLACK	
6	0052730		COVER,WIRE MOLDING JOINT	
7	0054228		SCREW,10-16 X 3/4,AB,PHI,PN/HD,ZINC,WHITE	
8			COVER ASSY, CHIME	
8	0057358		COVER ASSY,CHIME,74HR,OPT 03040	
8	0057359		COVER ASSY,CHIME,77HR,OPT 03040	
9	1351063		PLUG,BUTTON,BLACK,DP-500,HEYCO 2643	
10			BRACKET, CHIME CORD	
10	1024280		BRACKET,CHIME CORD	STANDARD
10	0602029		BRACKET,O/S CHAIN HOOK	WITH PARCEL RACKS OR BOOK RACKS
11	0527267		SCREW,6-20 X 1/2,AB,PH1,PAN HD,YEL ZN	
NI	2006161		CHIME,PASSENGER	
NI	1334689		SCREW,10-32 X 3/8,F,PH1,PAN HD,YEL ZN DICH	
NI	2006153		CABLE,AIRCRAFT,GALV 6 VINYL	

Models: AAFE, AARE, A3FE, A3RE, CSFE, CSRE, T2RE, TCFE, TCRE, TSFE  
GRIP HANDLES  
With Features: OPTION 3110

Key	PartNumber	Qty	Description	Comment
-----	------------	-----	-------------	---------

DR 12-3-87	BY JB	8007148
APP	BY	

FRONT © 1988 BLUE BIRD BODY COMPANY ALL RIGHTS RESERVED



**Models:** AAFE, AARE, A3FE, A3RE, CSFE, CSRE, T2RE, TCFE, TCRE, TSFE  
**With Features:** GRIP HANDLES  
OPTION 3110

Key	PartNumber	Qty	Description	Comment
1	1651496		HANDLE,GRAB,.50 DIA X 2.00 X 7.00,BLACK	
NI	1731017		SCREW,12-24 X 7/8,F,PH1,FLT CNSK HD,BLK	



**Models: A1VC, A3FE, A3RE, B1VC, B2VC, B4RE, BBCV, BCCV, C1FE, C3FE, C4RE, CSEV, CSFE, CSRE, GMCV, GPWB, AARE, AAFE, H4RE, HDFE, L3RE, L4RE, M4RE, MBWB, Q4RE, QBEV, QBRE, SBCV, T2RE, TCEV, TCFE, TCRE, TSFE, VCTA, W4RE, WLWB**  
**GROMMET CHART**

Key	PartNumber	Qty	Description	Comment
	2003150		GROMMET,CHASSIS,COWL WIRING	.16 ID
	1619477		GROMMET,RUBBER,.25 ID X .38 OD	
	2003168		GROMMET,RUBBER	.31 ID
	0890566		GROMMET,RUBBER,ATLANTIC INDIA,NO 2758	.38 ID
	2003218		GROMMET,RUBBER,3/8 ID	.38 ID
	2003226		GROMMET,RUBBER,W/S WIPER	.44 ID
	1508613		GROMMET,RUBBER,ATLANTIC INDIA #2426	.50 ID
	2003192		GROMMET,RUBBER,FC	.75 ID
	2003234		GROMMET,RUBBER,CHASSIS COWL WIRES,3/4	
	1894187		GROMMET,RUBBER,.75 ID W/1.00 X .09	
	2003200		GROMMET,RUBBER,1 IN. ID	
	2003184		GROMMET,RUBBER,HEATER PANEL,1-1/4 IN. ID	
	1610450		GROMMET,RUBBER,1.38 ID X 1.718 OD	
	1652379		GROMMET,RUBBER,1.25 ID W/1.50 X .25	
	0421792		GROMMET,1 3/4 X 1/16 X 1 1/2	
	2003176		GROMMET,HEATER HOSE,1 1/2IN ID	
	0026853		GROMMET,RUBBER,2.125 I.D.	
	0053652		GROMMET,RUBBER,1/4IDX.0625WALL"	
	0063731		GROMMET,RUBBER,1.00 ID	
	0066468		GROMMET,RUBBER,13/32 ID,3/8 GW,5/8 GD	
	0112325		GROMMET,RUBBER,1.75ID W/2.00 X .25	

**Models:** AAFE, AARE, A3FE, A3RE, B1VC, B2VC, CSFE, CSRE, GMCV, MBWB, SBCV, T2RE, TCEV, TCFE, TCRE, TSFE, VCTA  
**With Features:** **HOLDER ASSY, CERTIFICATE**  
**OPTION 2605, 2610 or FEATURE 30756 -01, -02**

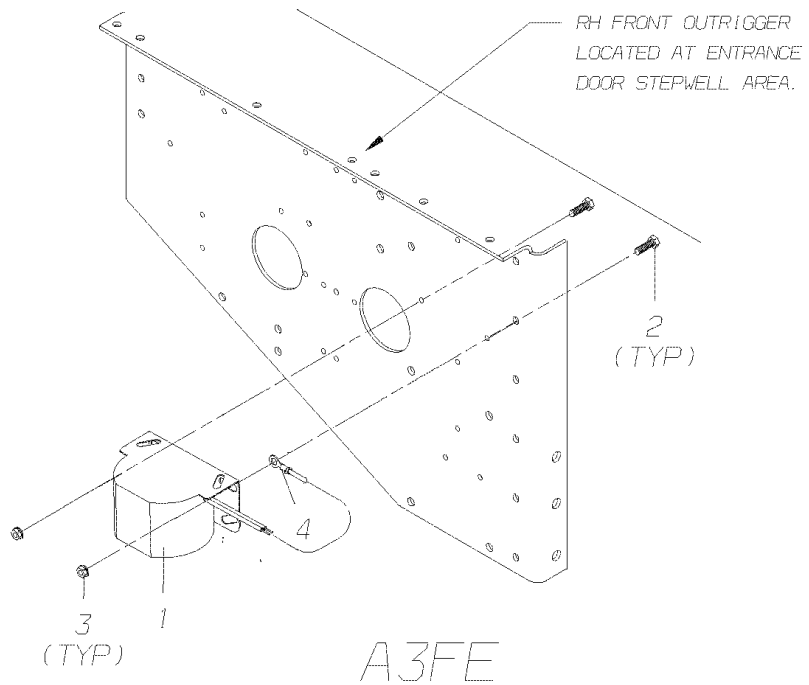
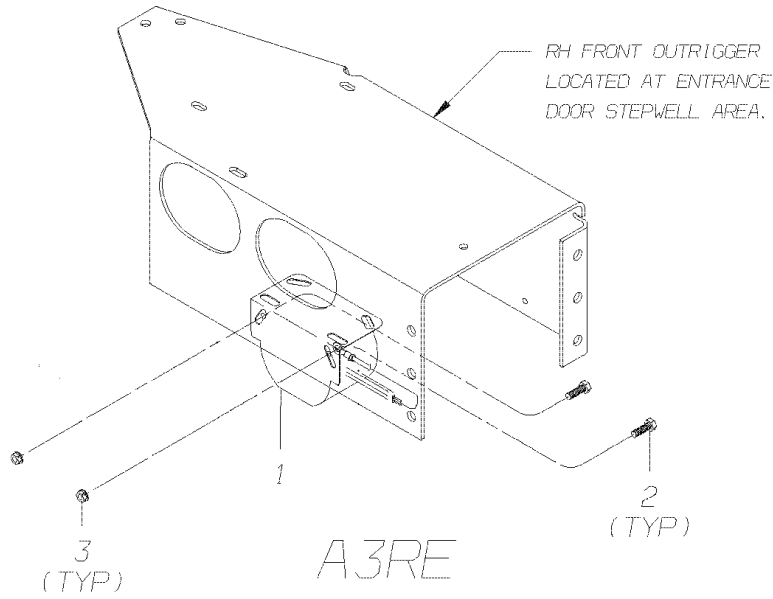
Key	PartNumber	Qty	Description	Comment
				<i>OPTION 2605 OR FEATURE 30756 -01</i>
NI	0960047		CERTIFICATE HOLDER ASSY,7.62 X 9.25	
NI	1560747	4	SCREW,6-20 X 1/2,AB,PH1,PAN HD,BLK	
NI	2001253	2	NUT,HEX HD,8-32,YELLOW DICHROMATE	
				<i>OPTION 2610 OR FEATURE 30756 -02</i>
NI	0960039		CERTIFICATE HOLDER ASSY,4X6	
NI	1560747	4	SCREW,6-20 X 1/2,AB,PH1,PAN HD,BLK	
NI	2001253	2	NUT,HEX HD,8-32,YELLOW DICHROMATE	

**Models:** A3FE, A3RE, C1FE, CSFE, CSRE, QBRE, TCFE, TCRE, TSFE  
HORN ASSY, HIGH & LOW NOTE

Key	PartNumber	Qty	Description	Comment
NI	1985456		HORN ASSY,HIGH & LOW NOTE W/HORN	
NI	1985464		HORN ASSY,HIGH NOTE,DUAL	
NI	1985472		HORN ASSY,LOW NOTE,DUAL	
NI	1985480		HARNESS,WRG,HORN JUMPER	

**Models:** A3FE, A3RE  
**With Features:** HORN INSTALLATION, SLEEPING CHILD CHECK  
 FEATURE 30195-11

Key	PartNumber	Qty	Description	Comment
-----	------------	-----	-------------	---------

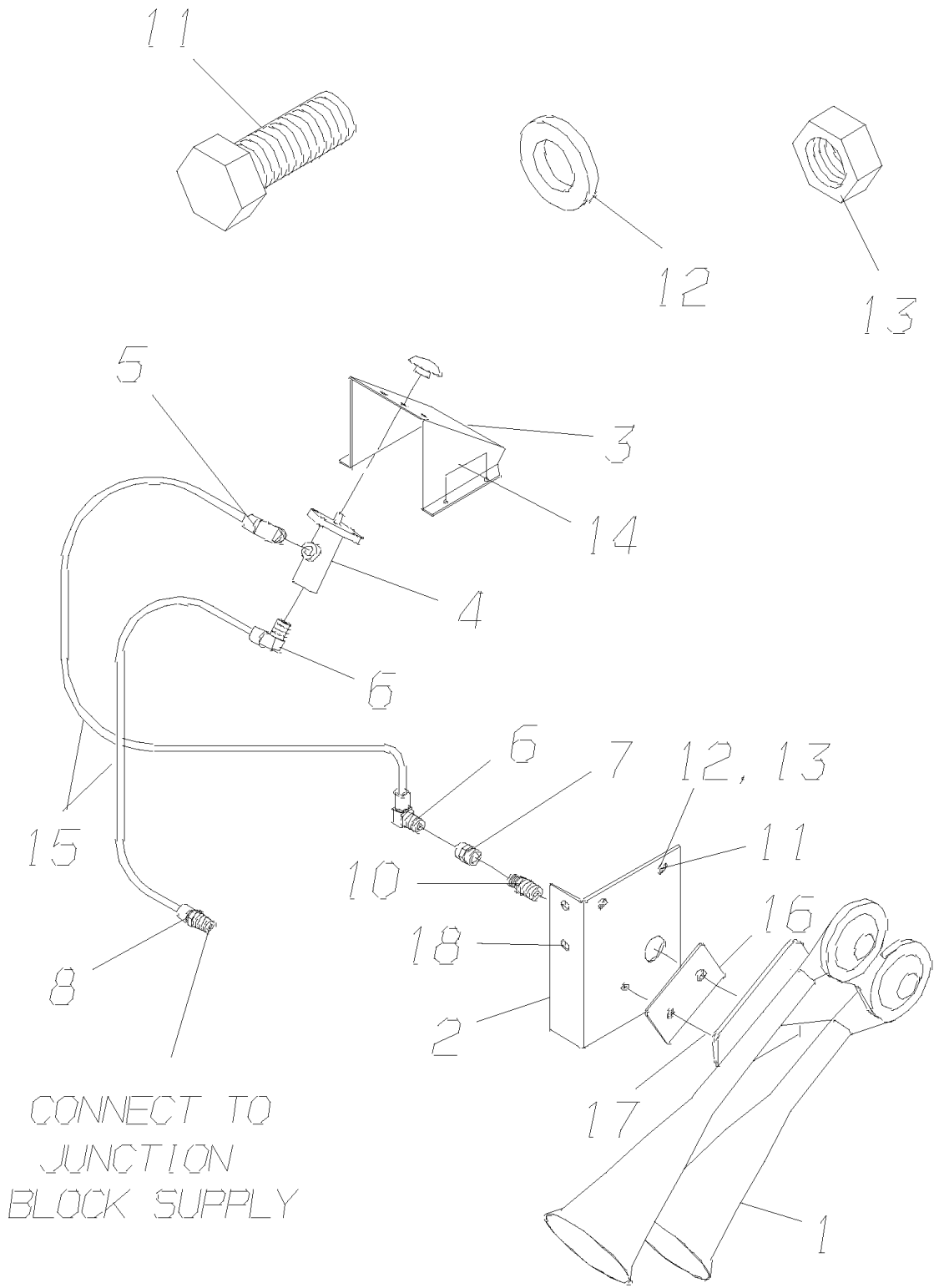


**Models:** A3FE, A3RE  
**With Features:** HORN INSTALLATION, SLEEPING CHILD CHECK  
 FEATURE 30195-11

Key	PartNumber	Qty	Description	Comment
1	0003312		HORN,BACKING ALARM,112 DB	
2	1435023		CAPSCREW,HEX HD,5/16-18, X, 3/4,GR5,	
3	0829390		NUT,HEX HD,5/16-18,SER WASHER,YEL ZN	
4	1404383		TERMINAL,EYELET,5/16,14-16 GA,INSULATED"	

**Models:** A3RE  
**HORN, AIR**  
**FOOT CONTROL**  
**With Features:** OPTION 4449

Key	PartNumber	Qty	Description	Comment
-----	------------	-----	-------------	---------



**Models:** A3RE  
**HORN, AIR**  
**FOOT CONTROL**  
**With Features:** OPTION 4449

Key	PartNumber	Qty	Description	Comment
1	0006315		HORN,AIR,DUAL TRUMPET,BLK	
2	1337054		BRACKET,MTG,UNDERFLOOR AIR HORN, AA	
3	1507359		BRACKET,MTG,AIR HORN VALVE	
4	1337104		VALVE,FOOT CONTROL,AIR HORN,228672	
5	0009903		ELBOW,90 DEG,MALE1869X4-Z,.13MPT X .25T	
6	0009912	2	ELBOW,90 DEG,MALE1869X4X4-Z,.25MPT	
7	2027175		COUPLING,PIPE,1/4	
8	0009922		CONNECTOR,MALE,1868X4X4-Z,.25MPT X .25T"	
10	2023224		CONNECTOR,1/4 MPT X 1/4 TUBE,205183	
11	2028322	2	CAPSCREW,HEX HD,3/8-16, X, 1, ,GR 5,ZINC	
12	0882795	2	LOCKWASHER,SPLIT RING,3/8,MED,YELLOW	
13	2001451	2	NUT,HEX HD,3/8-16,YELLOW DICHROMATE	
14	1164821	4	SCREW,10-16 X 3/4,AB,PH1,TRUSS HD, YEL ZN	
15	0654962	3	TUBING,PLASTIC,1/4 OD,BLACK,SAE J844 TYPE	
16	0006314		GASKET,AIR HORN,HADLEY,DUAL	
17	0854406		CAPSCREW,HEX HD,5/16-18 X 1,GR8,YEL ZN	
18	0829390		NUT,HEX HD,5/16-18,SER WASHER,YEL ZN	

**Models:** AAFE, AARE, A3FE, A3RE, CSFE, CSRE, QBRE, TCFE, TCRE  
**With Features:** HORN, AIR ROOF MOUNTED OPTION 4427

Key	PartNumber	Qty	Description	Comment
	0557983		VALVE,AIR HORN,AV-1	
	0557991		WASHER,AIR HORN SPRING	
	0558007		HORN,DUAL TRUMPET,AIR	
	0602029		BRACKET,O/S CHAIN HOOK	
	0839886		SLEEVE,COMPRESSION,3/16,THIN WALL	
	0003392		PLATE,AIR HORN INSPECTON	
	2006153	3	CABLE,AIRCRAFT,GALV 6 VINYL	<i>SOLD BY FOOT</i>
	2008050		BUSHING,PIPE,1/8 TO 1/4,BRASS	
	2008233		ELBOW,BRASS,69 X 4,1/8 X 1/4	
	2008431	11	TUBING,COPPER,1/4	<i>SOLD BY FOOT</i>

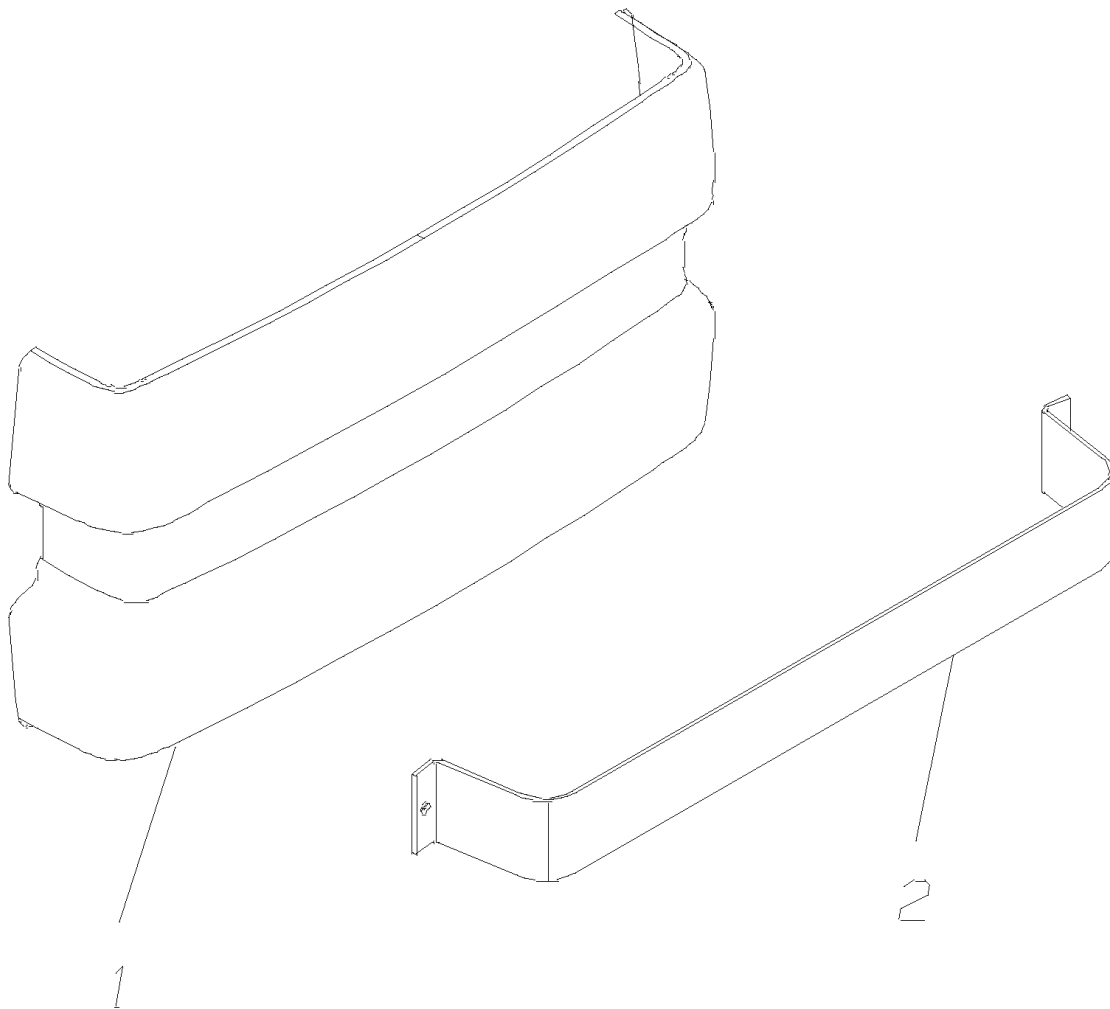


**Models:** A3RE, CSRE, Q4RE, QBRE  
**With Features:** HORN, BACKING SAFETY  
 FEATURE 30310

Key	PartNumber	Qty	Description	Comment
NI				<i>FEATURE 30310 -01</i>
NI	0003311		HORN,BACKING ALARM,107 DB	
NI	0072272		CLIP,WIRING	
NI	1589530		SCREW,1/4-14 X 3/4,AB,PH1,PAN HD,YEL ZN	
NI	1684141		DECAL,BACK-UP ALARM	
NI	2001121		WASHER,FLAT,5/16 X 3/4,X 5/64,YEL ZN DICH	
NI				<i>FEATURE 30310 -02</i>
NI	0003312		HORN,BACKING ALARM,112 DB	
NI	0072272		CLIP,WIRING	
NI	1589530		SCREW,1/4-14 X 3/4,AB,PH1,PAN HD,YEL ZN	
NI	1684141		DECAL,BACK-UP ALARM	
NI	2001121		WASHER,FLAT,5/16 X 3/4,X 5/64,YEL ZN DICH	
NI				<i>FEATURE 30310-03</i>
NI	0052521		HORN,BACK ALARM,VARIABLE VOL,87-112 DBA	
NI	1589530	2	SCREW,1/4-14 X 3/4,AB,PH1,PAN HD,YEL ZN	
	2001121	2	WASHER,FLAT,5/16 X 3/4,X 5/64,YEL ZN DICH	
	1510775	2	LOOM,CORRUGATED,BLACK NYLON,1/4 ID,SS	
	0072272	5	CLIP,WIRING	
	1684141		DECAL,BACK-UP ALARM	
	1170083		CLAMP,LOOP,.375	

Models: A3FE, A3RE, C1FE, CSFE, CSRE, TCFE  
MAP & DOCUMENT COMPARTMENT

Key	PartNumber	Qty	Description	Comment
-----	------------	-----	-------------	---------

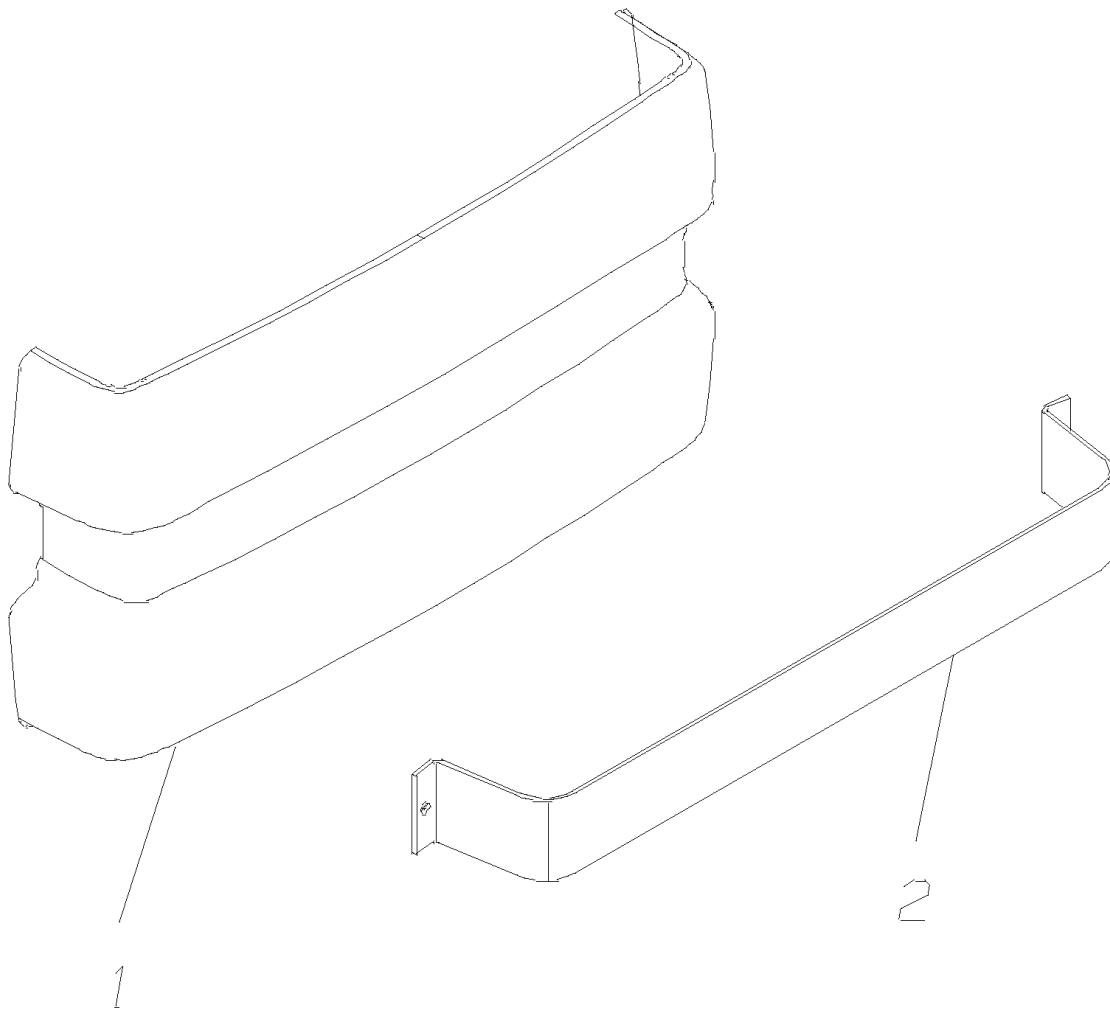


**Models:** A3FE, A3RE, C1FE, CSFE, CSRE, TCFE  
MAP & DOCUMENT COMPARTMENT

Key	PartNumber	Qty	Description	Comment
1	1330554		COMPARTMENT,UTILITY,DRIVERS AREA,AARE	
2	1331891		STRAP,UTILITY COMPARTMENT MOUNT,AARE	
3	1415769	2	RIVET,POP,.18 X .45,CHERRY SSPS-6-4	

Models: A3RE  
MAP & DOCUMENT COMPARTMENT  
U.K. UNITS ONLY

Key	PartNumber	Qty	Description	Comment
-----	------------	-----	-------------	---------



**Models:** **A3RE**  
**MAP & DOCUMENT COMPARTMENT**  
**U.K. UNITS ONLY**

Key	PartNumber	Qty	Description	Comment
1	1330554		COMPARTMENT,UTILITY,DRIVERS AREA,AARE	
2	1331891		STRAP,UTILITY COMPARTMENT MOUNT,AARE	
3	1415769	2	RIVET,POP,.18 X .45,CHERRY SSPS-6-4	

**Models:** A3RE  
**MUDFLAPS**  
**With Features:** STD  
**BSN:** From BSN 0022484 0191751 0260162 0373871 997469

Key	PartNumber	Qty	Description	Comment
			REAR TIRE W/ REAR FLAP	
NI	1876713	2	RETAINER,MUDFLAP	
NI	1875962	2	MUDFLAP,23 X 30,BLUE BIRD LOGO	
NI	1914225	2	BRACKET,MUDFLAP,ANTI-SAIL,PAIR	
NI	0854406	8	CAPSCREW,HEX HD,5/16-18 X 1,GR8,YEL ZN	
NI	2001055	16	WASHER,FLAT,11/32 X 1 1/4 X 5/32,YEL ZN	
NI	2001410	8	NUT,HEX HD,5/16-18,YEL ZN DICH"	
NI	2001188	8	LOCKWASHER,SPLIT RING, 5/16,MED,YEL ZN	
NI			REAR TIRE W/ FRONT FLAP	
NI	1876713	2	RETAINER,MUDFLAP	
NI	1876697	AR	MUDFLAP,23 X 14	
NI	0854406	8	CAPSCREW,HEX HD,5/16-18 X 1,GR8,YEL ZN	
NI	2001055	16	WASHER,FLAT,11/32 X 1 1/4 X 5/32,YEL ZN	
NI	2001410	8	NUT,HEX HD,5/16-18,YEL ZN DICH"	
NI	2001188	8	LOCKWASHER,SPLIT RING, 5/16,MED,YEL ZN	
NI			LH FRONT TIRE W/ MUD GUARD	
NI	1340322		GUARD,MUD, FRONT OF LH FRONT WHEEL OR	
NI			FRONT TIRE W/ REAR FLAP	
NI	1876713	2	RETAINER,MUDFLAP	
NI	1876697	2	MUDFLAP,23 X 14	
NI	1876705	2	MUDFLAP,23 X 25.25	
NI	2001055	16	WASHER,FLAT,11/32 X 1 1/4 X 5/32,YEL ZN	
NI	2001410	8	NUT,HEX HD,5/16-18,YEL ZN DICH"	
NI	0854406	8	CAPSCREW,HEX HD,5/16-18 X 1,GR8,YEL ZN	
NI	2001188	8	LOCKWASHER,SPLIT RING, 5/16,MED,YEL ZN	

**Models:** A3RE  
**MUDFLAPS**  
**With Features:** OPTION 0581, 0582, 0584  
**BSN:** From BSN 0022484 0191751 0260162 0373871 997469

Key	PartNumber	Qty	Description	Comment
			MUDFLAP, REAR TIRE W/ REAR FLAP	OPTION 0581
NI	1875954		MUDFLAP,23 X 30	
			MUDFLAP, FULL LENGTH, FRONT TIRE W/ REAR	OPTION 0582
NI	1875954		MUDFLAP,23 X 30	
			MUDFLAPS	OPTION 0584-01
NI	0980383		MUDFLAP,BIRD LOGO,23.00 X 30.25	
	0953968		MUDFLAP,BLACK RUBBER,24 X 30	

**Models:** A3RE, AARE, CSRE, QBRE, T2RE, TCRE  
**With Features:** MUDFLAPS  
BRACKET, ANTI-SAIL  
FEATURE 30513-01

Key	PartNumber	Qty	Description	Comment
-----	------------	-----	-------------	---------

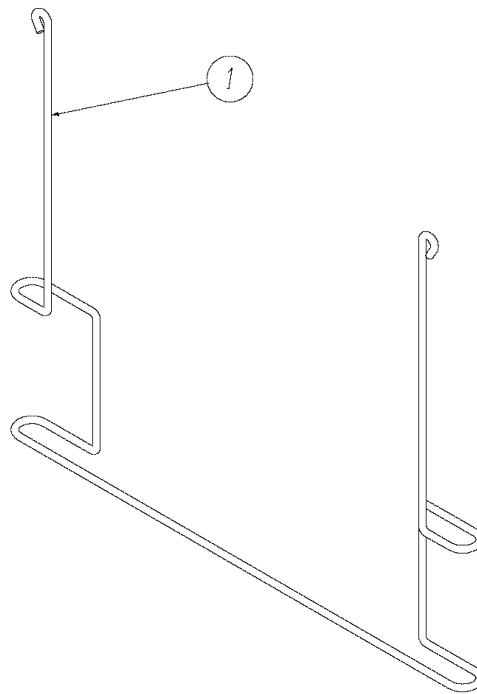
DR-4-29-00	BY	JB		
APP	BY		FRT	REV

1914225



© 2000 BLUE BIRD BODY COMPANY ALL RIGHTS RESERVED

BLUE BIRD



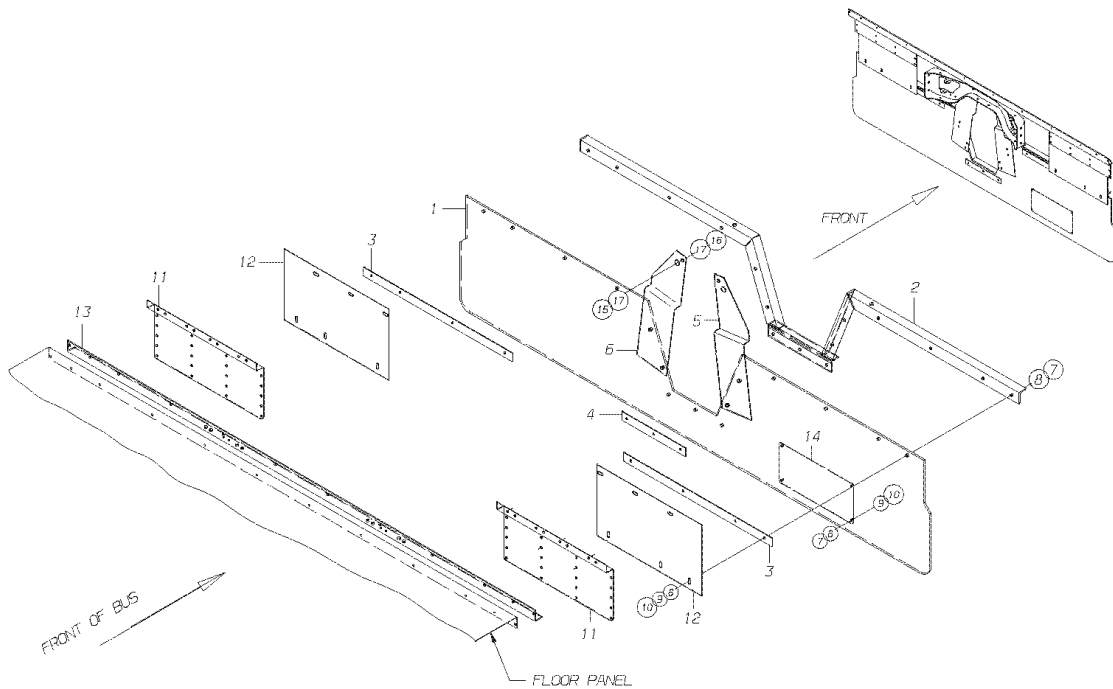


**Models:** A3RE, AARE, CSRE, QBRE, T2RE, TCRE  
MUDFLAPS  
**With Features:** BRACKET, ANTI-SAIL  
FEATURE 30513-01

Key	PartNumber	Qty	Description	Comment
1	1914225		BRACKET,MUDFLAP,ANTI-SAIL,PAIR	

**Models:** A3RE, T2RE  
**MUDFLAPS**  
**FULL WIDTH**  
**With Features:** OPTION 0602-03

Key	PartNumber	Qty	Description	Comment
-----	------------	-----	-------------	---------



**Models:** A3RE, T2RE  
**MUDFLAPS**  
**FULL WIDTH**  
**With Features:** OPTION 0602-03

Key	PartNumber	Qty	Description	Comment
1	1566934		MUDFLAP,FULL WIDTH,.31 X 20 X 94.5 RUBBER	
2	0017608		ANGLE ASSY,FULL WIDTH MUDFLAP SUPT,	
3	1878834	2	PLATE,BACKING,FULL WIDTH MUDFLAP,END,RE	
4	1878826		PLATE,BACKING,FULL WIDTH MUDFLAP,	
5	0017566		BRACKET,MTG,FULL WIDTH MUDFLAP,RH,HDRE	
6	0017574		BRACKET,MTG,FULL WIDTH MUDFLAP,LH, HDRE	
7	0610725		CAPSCREW,HEX HD,5/16-18X1 1/4,GR8,	
8	2001048		WASHER,FLAT,11/32 X 11/16 X 1/16,YEL	
9	2001188		LOCKWASHER,SPLIT RING, 5/16,MED,YEL ZN	
10	1480433		NUT,HEX HD,5/16-18,FLG PRVG TORQ,GR F,	
11		2	RETAINER, MUDFLAP	
11	1876713		RETAINER,MUDFLAP	ENDING WITH BSN F10065534
11	0075395		BRACKET,MTG,MUDFLAP	BEGIN WITH BSN F10065535
12	0017558	2	GUARD,SPLASH,FULL WIDTH MUDFLAP,TCRE	
13	0332825		CROSSMEMBER,BODY BAR ANGLE	
14	1955061		SHIELD,HEAT,FULL WIDTH MUDFLAP, TCRE	
15	1363456	4	CAPSCREW,HEX HD,1/2-20 X1 1/2,GR8,	
16	0952556	4	NUT,HEX HD,1/2-20,LOCKING,YELLOW	
17	1003045	8	WASHER,FLAT,17/32 X 1 1/16 X 7/64,HDN,	

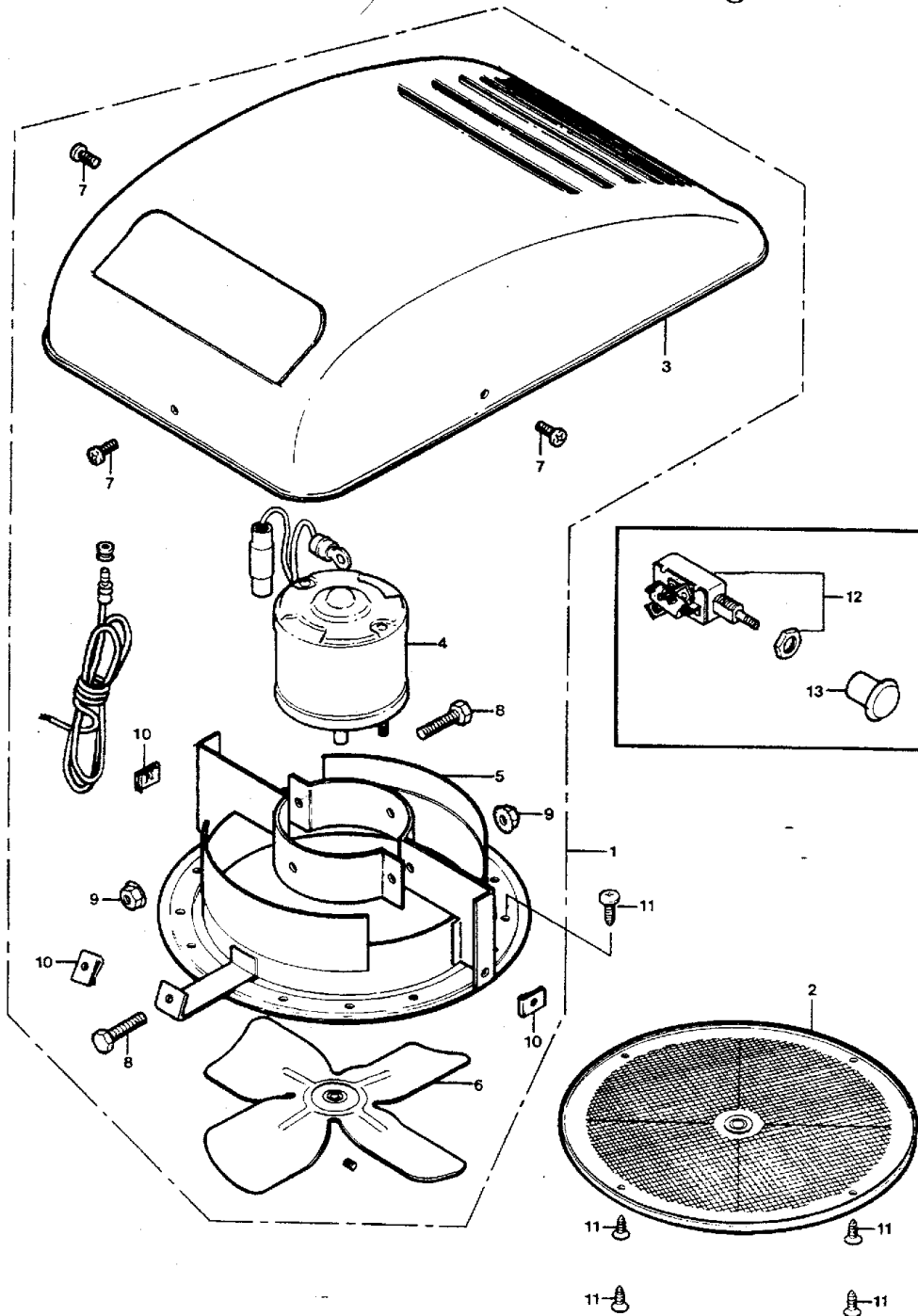
**Models:** A3FE, A3RE, CSFE, CSRE, TCFE, TCRE  
**MUDFLAPS & RUBBER FENDERS**  
**With Features:** OPTION 0580, 0586, 0600, 0605

Key	PartNumber	Qty	Description	Comment
			FRONT FLAPS	<i>OPTION 0580</i>
NI	0600718	2	PLATE,FRONT WHEEL,RUBBER MUD FLAP	
NI	0962753	6	CAPSCREW,HEX HD,1/4-28,X,1,,GR5,YELDICH	
NI	2003259	1	MUDFLAP,12IN X 24IN,BLACK,FRONT	<i>SOLD IN PAIRS</i>
			REAR FLAPS	<i>OPTION 0586</i>
NI		2	MUDFLAP, REAR	
NI	1591288		RETAINER,MUDFLAP,REAR, AARE/TCRE	<i>ENDING WITH BSN 19873, 189825, 257752, 370552</i>
NI	1876713		RETAINER,MUDFLAP	<i>BEGIN WITH BSN 19874, 189826, 257753, 370553</i>
NI		1	MUDFLAP, RR, 24X30, W/BIRD LOGO	<i>SOLD IN PAIRS</i>
NI	0980383		MUDFLAP,BIRD LOGO,23.00 X 30.25	<i>ENDING WITH BSN 19873, 189825, 257752, 370552</i>
NI	1875962		MUDFLAP,23 X 30,BLUE BIRD LOGO	<i>BEGIN WITH BSN 19874, 189826, 257753, 370553</i>
			RUBBER FENDERS	<i>OPTION 0600, 0605</i>
NI	0060400	2	FENDER,RUBBER	
NI	0193409	2	RETAINER,RUBBER FENDER	

Models: AAFE, AARE, A3FE, A3RE, CSFE, CSRE, GMCV, MBWB, SBCV, TCFE, TCRE  
 With Features: ROOF EXHAUST  
 OPTION 0550, 0551

Key	PartNumber	Qty	Description	Comment
-----	------------	-----	-------------	---------

DR. 2/19/83 BY JES  
 8001943  
 © 1982 BLUE BIRD BODY COMPANY  
 ALL RIGHTS RESERVED

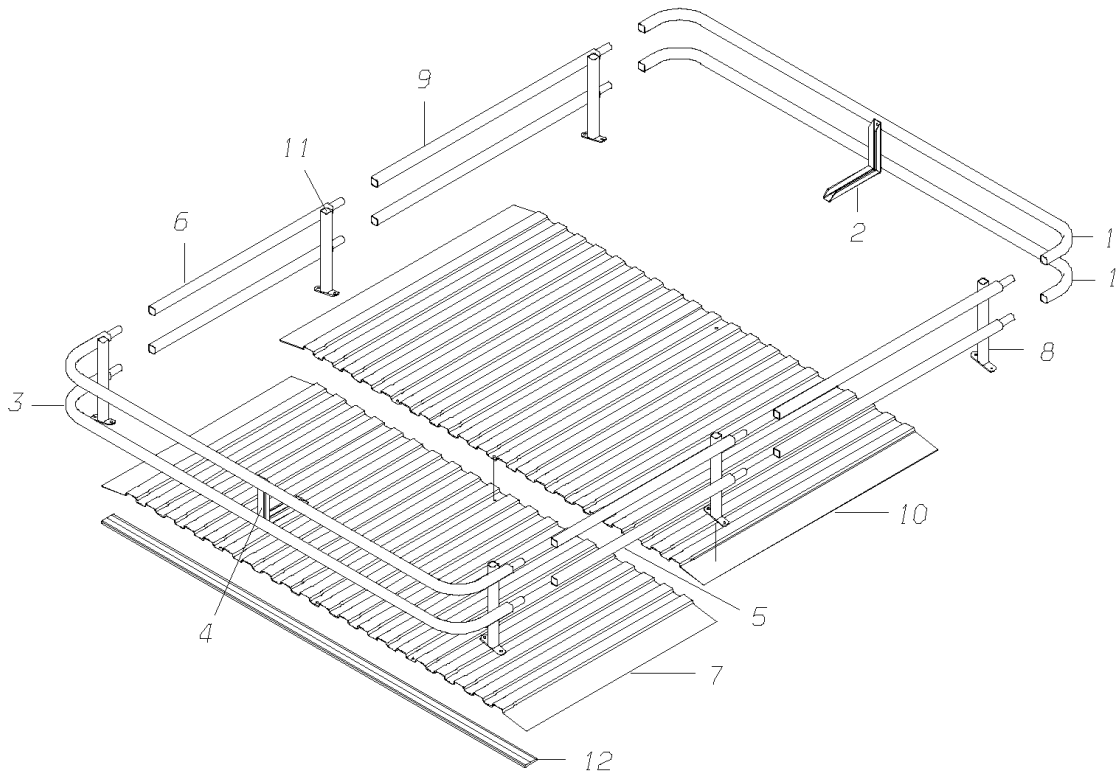


**Models:** AAFE, AARE, A3FE, A3RE, CSFE, CSRE, GMCV, MBWB, SBCV, TCFE, TCRE  
**With Features:** ROOF EXHAUST  
 OPTION 0550, 0551

Key	PartNumber	Qty	Description	Comment
1	1043157		FAN ASSY,VENT,COMPLETE KIT	
2	1043199		GRILLE,INTERIOR,EXHAUST FAN	
NI	1168020		PLATE,MTG,INTR GRILLE,ROOF MT EXH FAN	
3	1168103		HOOD,EXHAUST FAN,ROOF MOUNT,EVANS	
4	2128700		MOTOR,12V,ROOF EXH FANS,EVANS"	
5	2128718		RING ASSY,MTG,ROOF EXH FAN	
6	2104941		BLADE,FAN,BATHROOM VENT,WL	
7	2000750	3	SCREW,MACH,10-24 X 1/2,PH1,RD HD,YEL	
8	2000057	2	CAPSCREW,HEX HD,1/4-20 X 1,GR 5,YEL ZN	
9	0659979	2	NUT,HEX,FLANGE SER,1/4-20,BLACK ZINC	
10	2128726	3	NUT,SPEED,RETAINER,ROOF EXH FAN,EVANS	
11	0527333	4	SCREW,10-16 X 3/4,AB,PH1,OVAL CNSKHD,YEL	
12	1043207		SWITCH,2 SPEED,RESISTOR,HV 20089	<i>OPTION 0551, ONLY</i>
NI	1499102		SWITCH,2 POSN,ACCESSORY	<i>OPTION 0550, ONLY</i>
13	1045897		KNOB,VENT FAN SWITCH,HV 2067L	<i>OPTION 0551, ONLY</i>

**Models:** A3FE, A3RE, GMCV, SBCV, TCFE  
**With Features:** ROOF LUGGAGE RACK  
 OPTION 2629

Key	PartNumber	Qty	Description	Comment
-----	------------	-----	-------------	---------



**Models:** A3FE, A3RE, GMCV, SBCV, TCFE  
**With Features:** ROOF LUGGAGE RACK  
 OPTION 2629

Key	PartNumber	Qty	Description	Comment
1	0975201	2	RAIL,END,FRONT,ROOF RACK	
2	0975425		BRACE,FRONT,CENTER ROOF RACK	
3	0975227		RAIL ASSY,REAR,ROOF RACK	
4	0975417		BRACE,REAR CENTER,ROOF RACK	
5	0980029		RAIL ASSY,RH,28IN,ROOF RACK	
6	0980037		RAIL ASSY,LH,28IN,ROOF RACK	
7	0334425		PANEL,ROOF LUG,28IN	
8	0980045		RAIL ASSY,RH,35IN,ROOF RACK	
9	0980052		RAIL ASSY,LH,34IN,ROOF RACK	
10	0334433		PANEL,ROOF LUG,35IN	
11	0862490	6	CAPLUG,FOR 1IN SQ TUBE	
12	0356253		STRIP, MTG. CHASSIS 200 FT. ROLL	
NI			LADDER ASSY.	
NI	0974220		LADDER ASSY,9IN	
NI	0974238		LADDER ASSY,14IN	
NI			BRACKET, MTG, LADDER ASSY.	
NI	0974196		BRACKET,MTG,LADDER ASSY,9IN	
NI	0974204		BRACKET,MTG,LADDER ASSY,14IN	
NI	0974329		BRACKET,LADDER TO PLATFORM,14IN	
			ALSO SEE "CHART, ADD ON OPTIONS" IN	

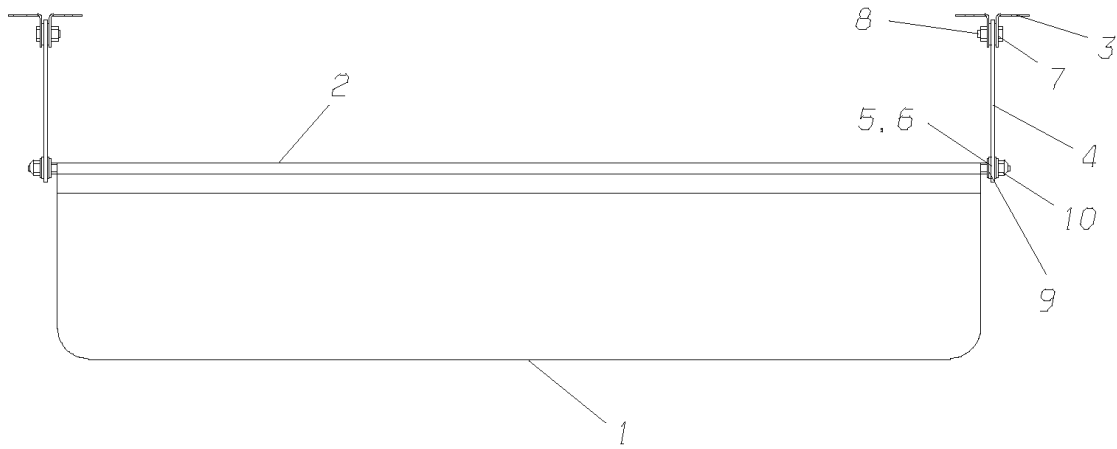


**TSFE**      **Models:**    **A3FE, A3RE, B1VC, B2VC, C1FE, CSFE, CSRE, GMCV, MBWB, SBCV, TCEV, TCFE,**  
**With Features:**    **SUN VISOR ASSY**  
**OPTION 3180, 3182; FEATURE 30767 -01, -02, -03, -04**

Key	PartNumber	Qty	Description	Comment
NI			SUN VISOR ASSY.	
	1468123		SUN VISOR ASSY,OPAQUE BLACK	
	1221167		SUN VISOR ASSY,30,PLEXIGLAS	
NI			SUN VISOR	
NI	1468115		SUN VISOR,OPAQUE BLACK	
NI	1221126		SUN VISOR,PLEXIGLAS,30I	
NI	1215383		EXTRUSION,SUN VISOR,30,PLEXIGLAS	
NI	1221142	4	BRACKET,MTG,SUN VISOR,PLEXIGLAS	
NI	1221159	2	SUPPORT,SUN VISOR,PLEXIGLAS	
NI	1247709	4	WASHER,FLAT,17/64 ID X,5/8,YEL ZN DICH	
NI	1047711	8	WASHER,1/4 X 11/16 X 1/16,NYLON	
NI	0977132	2	CAPSCREW,HEX HD,1/4-20 X 3/4,GR 5,YEL	
NI	2001345	2	NUT,HEX HD,1/4-20,LOCKING,YELLOW	
NI	1230614	2	SCREW,STUD,1/4 DIA W/HEX CENTER	
NI	1230622	2	NUT,HEX HD,1/4-28,NYLON INSERT,YEL ZN	
NI			TRIM, VINYL, DOUBLE LIP	
NI	1278316		TRIM,VINYL,BROWN,DOUBLE LIP,75000327	
NI	1702547		TRIM,VINYL,GRAY,DOUBLE LIP,75000321	
Par				

**Models:** A3RE  
SUN VISOR ASSY  
U.K. UNITS ONLY  
**With Features:** OPTION 3180

Key	PartNumber	Qty	Description	Comment
-----	------------	-----	-------------	---------



**Models:** A3RE  
**SUN VISOR ASSY**  
**U.K. UNITS ONLY**  
**With Features:** OPTION 3180

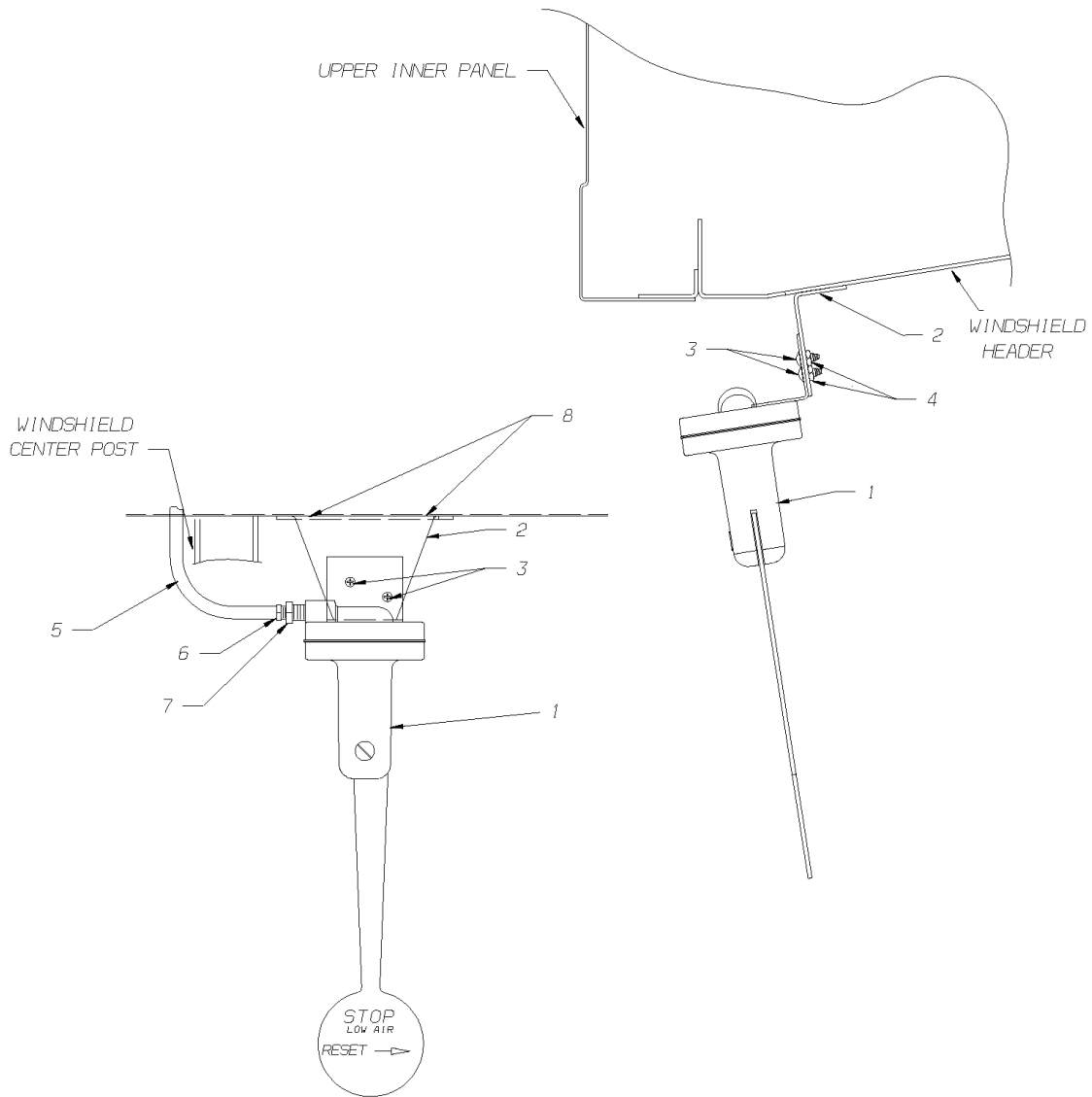
Key	PartNumber	Qty	Description	Comment
	1221167		SUN VISOR ASSY,30,PLEXIGLAS CONSISTS OF THE FOLLOWING:	
1	1221126		SUN VISOR,PLEXIGLAS,30I	
2	1215383		EXTRUSION,SUN VISOR,30,PLEXIGLAS	
3	1221142	4	BRACKET,MTG,SUN VISOR,PLEXIGLAS	
4	1221159	2	SUPPORT,SUN VISOR,PLEXIGLAS	
5	1247709	4	WASHER,FLAT,17/64 ID X,5/8,YEL ZN DICH	
6	1047711	8	WASHER,1/4 X 11/16 X 1/16,NYLON	
7	0977132	2	CAPSCREW,HEX HD,1/4-20 X 3/4,GR 5,YEL	
8	2001345	2	NUT,HEX HD,1/4-20,LOCKING,YELLOW	
9	1230614	2	SCREW,STUD,1/4 DIA W/HEX CENTER	
10	1230622	2	NUT,HEX HD,1/4-28,NYLON INSERT,YEL ZN	

**Models: AAFE, AARE, A3FE, A3RE, B1VC, B2VC, C1FE, CSFE, CSRE, GMCV, GPWB, MBWB, QBRE, SBCV, TCFE, TCRE, TSFE, VCTA TOOLS**

Key	PartNumber	Qty	Description	Comment
	2133650		GUN,CHERRY RIVET,W/HEAD HEAVY DUTY NOSE PIECE	<i>INTERCHANGEABLE ON PULLING HEAD</i>
	2103968		NOSE PIECE,CHERRY RIVET PULLING HEAD	
	2103976		NOSE PIECE,NAIL,RIVET,PULLING HEAD,3/16	
	2126894		RIVETER,MANUAL,W/INTEGRAL PULLING HEAD	<i>WITH PULLING HEAD. NAIL RIVET ONLY</i>
	2012441		TOOL,WRENCH TYPE RIVNUT,1/4 IN C 722	
	2011856		HANDLE,ONLY, GLASS FILLERSTRIP TOOL	
	2011849		HOOK,INSTALLATION,GLASS TOOL 756476	
	2011831		EYE INSTALLATION RUBBER TOOL 756461	
	2104008		WRENCH,ALLEN,1/8	
	2014207		SET,BRAZIER HD RIVET 1/4 IN	<i>FOR 3/16 RIVET</i>
	2014215		SET,BRAZIER HD RIVET P89215 5/16 IN	<i>FOR 1/4 RIVET</i>
	2104628		DETECTOR,SHORT CIRCUIT,CAL-VAN NO69	
	2605186		CHEST,PARTS AND TOOLS	

Models: **A3FE, A3RE, SBCV**  
**WIG-WAG, AIR, PRESSURE INDICATOR**  
 With Features: **OPTION 1462**

Key	PartNumber	Qty	Description	Comment
-----	------------	-----	-------------	---------



**Models:** A3FE, A3RE, SBCV  
**With Features:** WIG-WAG, AIR, PRESSURE INDICATOR  
 OPTION 1462

Key	PartNumber	Qty	Description	Comment
1	1339571		INDICATOR,LOW PRESS,AIR,WIG-WAG,RH	
2			BRACKET, SUR-VAC & WIG-WAG ATCH	
2	0007302		BRACKET,SUR-VAC&WIG-WAG ATCH,2FF2,4FF2,	<i>FEATURE 30400-01, ASTRO WHITE</i>
2	0075888		BRACKET,MTG,SUR-VAC & WIG-WAG,FLORIDA	<i>FEATURE 30400-02, FLORIDA GRAY</i>
2	0075925		BRACKET,MTG,SUR-VAC & WIG-WAG,KENTUCKY	<i>FEATURE 30400-03, KENTUCKY BLUE</i>
2	0086941		BRACKET,MTG,SUR-VAC & WIG-WAG,GREEN	<i>FEATURE 30400-04, SEA FOAM GREEN</i>
3	2000750		SCREW,MACH,10-24 X 1/2,PH1,RD HD,YEL	
4	2001279		NUT,HEX HD,10-24,YEL ZN DICH"	
5	0557652		TUBING,COPPER,1/8 OD	
6	0557660		NUT,THREADED,SLEEVE 1/8,TUBE 6100 X 2	
7	0557686		CONNECTOR,MALE,THRD SLVE 1/8 T 1/8 P	
8	1164821		SCREW,10-16 X 3/4,AB,PH1,TRUSS HD, YEL ZN	