

Chassis

040 Cooling

DEAERATION TANK

CUMMINS ISC

With: FEATURE 40184-03, -07 _____ 1

CUMMINS ISC 03, 05

With: FEATURE 40184-08, -09 _____ 2

JOHN DEERE 8.1, CAT 3126

With: FEATURE 40181, FEATURE 40187 _____ 3

ENGINE

CAT 3126

With: FEATURE 40187 _____ 4

CAT C7

With: FEATURE 40187 _____ 5

CUMMINS ISC

*With: FEATURE 40184
To CSN F0131999* _____ 6

*With: FEATURE 40184
To CSN F0131999* _____ 7

*With: FEATURE 40184
To CSN F0131999* _____ 8

*With: FEATURE 40184
From CSN F0132000* _____ 9

CUMMINS ISC 03, 05

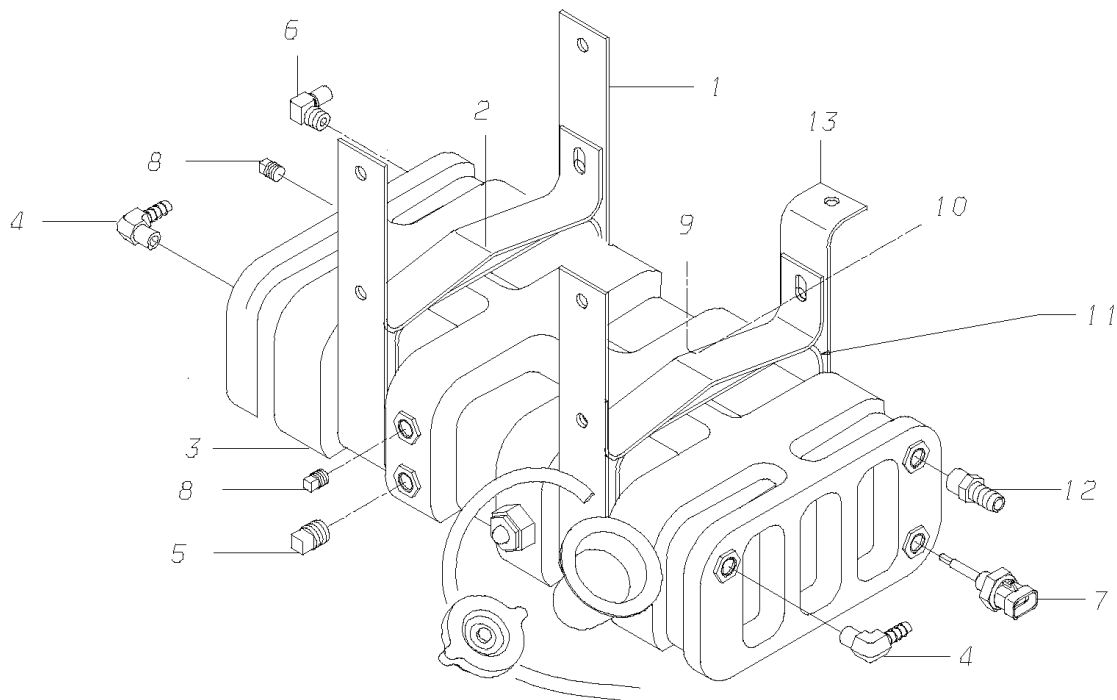
With: FEATURE 40184 _____ 10

JOHN DEERE 8.1

With: FEATURE 40181 _____ 11

Models: C4RE
DEAERATION TANK
CUMMINS ISC
With: FEATURE 40184-03, -07

Key	PartNumber	Qty	Description	Comment
-----	------------	-----	-------------	---------

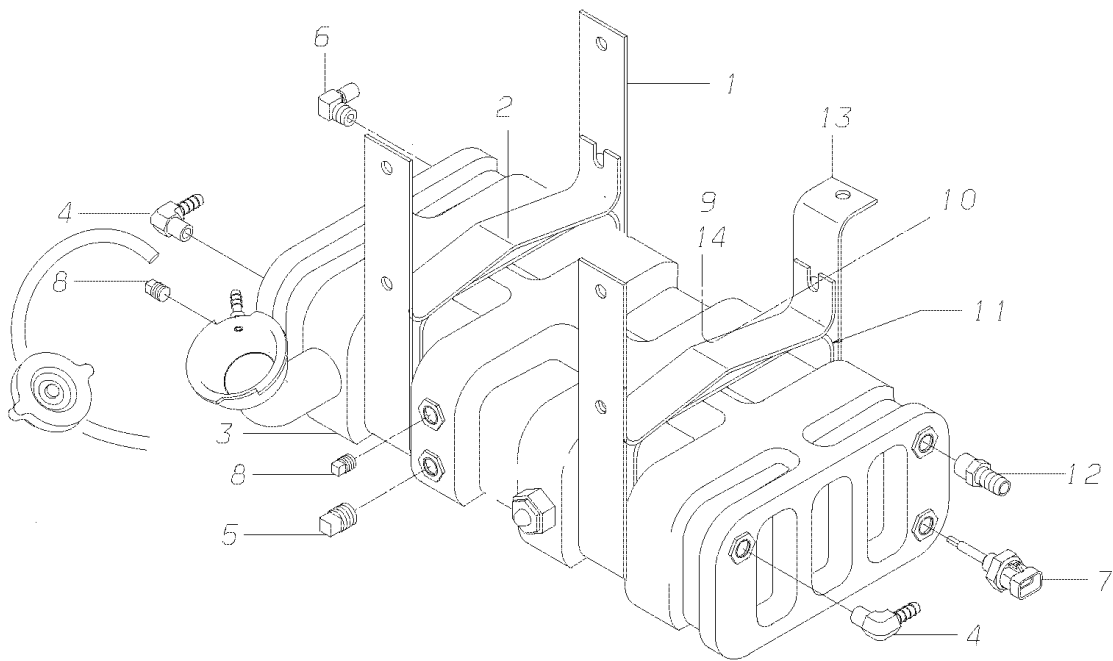


Models: C4RE
DEAERATION TANK
CUMMINS ISC
With: FEATURE 40184-03, -07

Key	PartNumber	Qty	Description	Comment
1	0040944		BRACKET,MTG,DEAERATION TANK,LOWER,LH	
2	0040943	2	BRACKET,MTG,DEAERATION TANK,UPPER	
3	1802370		TANK,DEAERATION,1143680,IHT,ALL RE	
4	1409093	2	ELBOW,BARBED INSERT,3/8 HOSE X 1/4 MPT	
5	3772159		PLUG,PIPE,0.375,BRASS W/SEALANT,HEX HD	
6	0009912		ELBOW,90 DEG,MALE1869X4X4-Z,.25MPT	
7	1644822		SENDER,LOW COOLANT LEVEL	
8	2023513	2	PLUG,PIPE,1/4,ALLEN HEX HD,BRASS	
9	0839027	4	NUT,HEX HD,3/8-16,GR G,SM FLG LK,YEL	
10	1339621	4	CAPSCREW,HEX FLG,3/8-16X1.25,GR5,YEL	
11	1816180	2	SPACER,SMOOTH,BLACK,.125 X 2 X 28.30	
12	1454008		INSERT,BARBED,3/8 ID HOSE X 1/4 MPT	
13	0041336		BRACKET,MTG,DEAERATION TANK,LOWER,RH	

Models: C4RE
DEAERATION TANK
CUMMINS ISC 03, 05
With: FEATURE 40184-08, -09

Key	PartNumber	Qty	Description	Comment
-----	------------	-----	-------------	---------

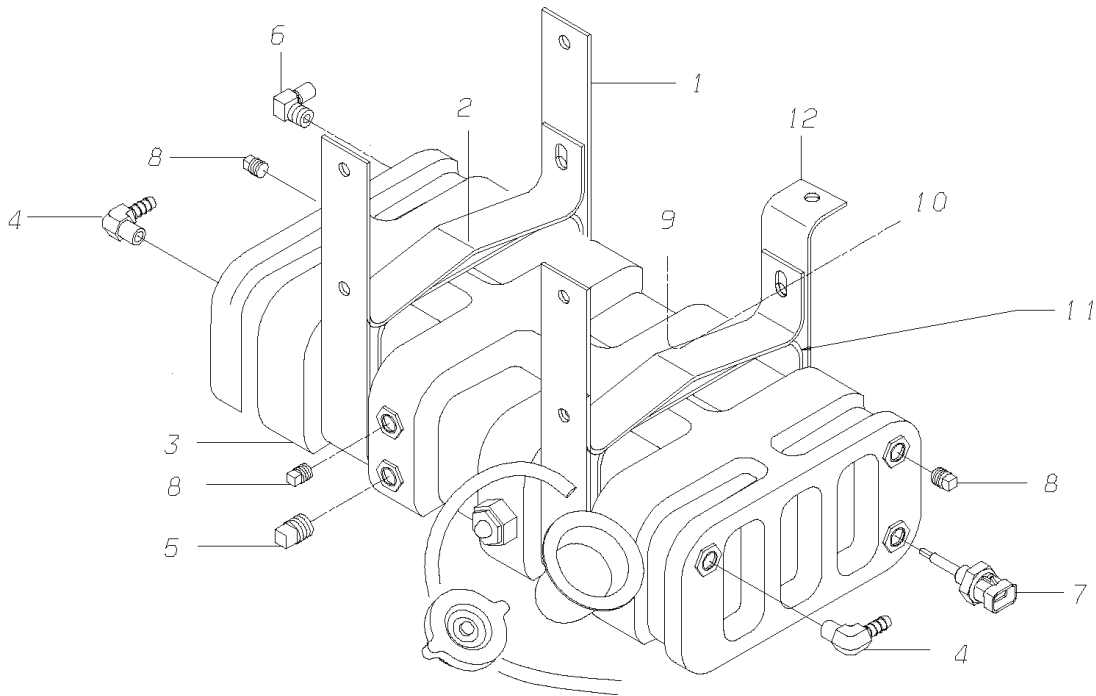


Models: C4RE
DEAERATION TANK
CUMMINS ISC 03, 05
With: FEATURE 40184-08, -09

Key	PartNumber	Qty	Description	Comment
1	0040944		BRACKET,MTG,DEAERATION TANK,LOWER,LH	
2	0040943	2	BRACKET,MTG,DEAERATION TANK,UPPER	
3	0069819		TANK,DEAERATION,LH FILL W/15 PSI CAP,	
4	1409093	2	ELBOW,BARBED INSERT,3/8 HOSE X 1/4 MPT	
5	3772159		PLUG,PIPE,0.375,BRASS W/SEALANT,HEX HD	
6	0009912		ELBOW,90 DEG,MALE1869X4X4-Z,.25MPT	
7	0069818		SENDER,LEVEL,LOW COOLANT, A3RE/C4RE	
8	2023513	2	PLUG,PIPE,1/4,ALLEN HEX HD,BRASS	
9	0839027	4	NUT,HEX HD,3/8-16,GR G,SM FLG LK,YEL	
10	1339621	4	CAPSCREW,HEX FLG,3/8-16X1.25,GR5,YEL	
11	1816180	2	SPACER,SMOOTH,BLACK,.125 X 2 X 28.30	
12	1454008		INSERT,BARBED,3/8 ID HOSE X 1/4 MPT	
13	0041336		BRACKET,MTG,DEAERATION TANK,LOWER,RH	
14	1107085		WASHER,FLAT,13/32 X 13/16 X 3/32,HDN,BLK	
NI	0059696		ADHESIVE,CONTACT,SILAPRENE M6230,ROYAL	

Models: C4RE
DEAERATION TANK
JOHN DEERE 8.1, CAT 3126
With: FEATURE 40181, FEATURE 40187

Key	PartNumber	Qty	Description	Comment
-----	------------	-----	-------------	---------

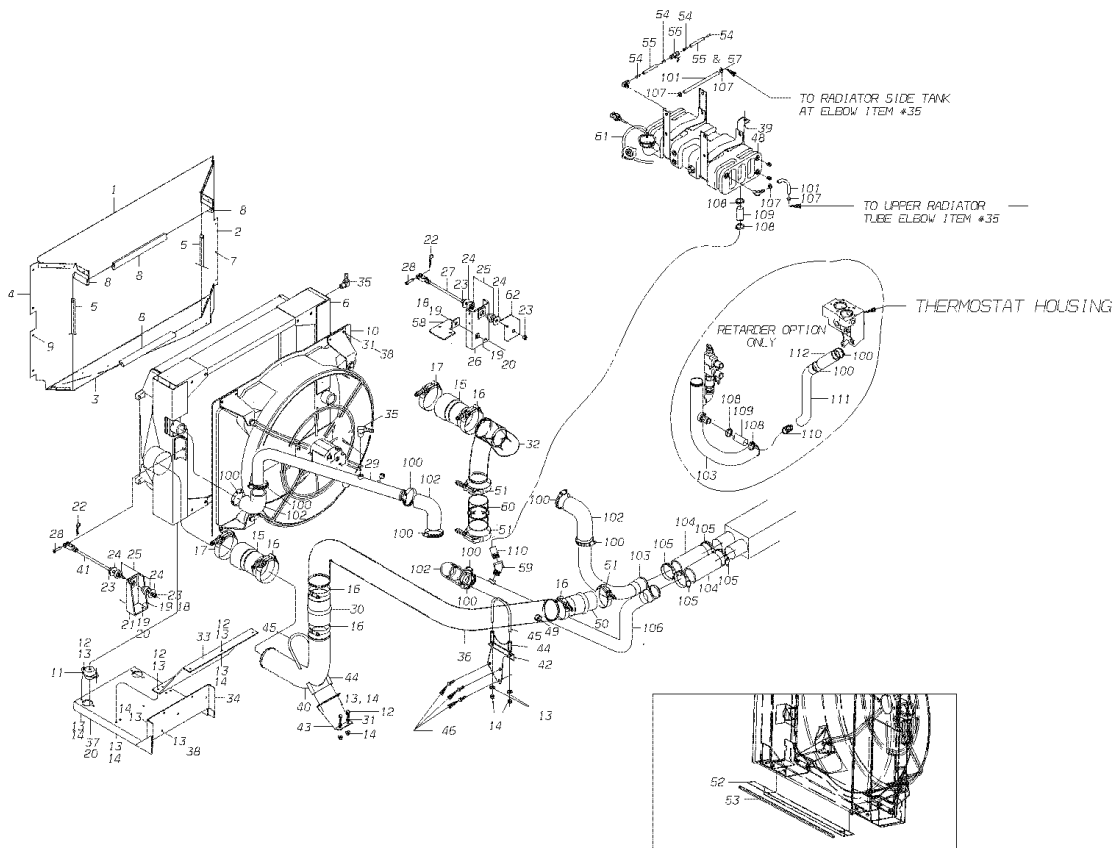


Models: C4RE
DEAERATION TANK
JOHN DEERE 8.1, CAT 3126
With: FEATURE 40181, FEATURE 40187

Key	PartNumber	Qty	Description	Comment
1	0040944		BRACKET,MTG,DEAERATION TANK,LOWER,LH	
2	0040943	2	BRACKET,MTG,DEAERATION TANK,UPPER	
3	1802370		TANK,DEAERATION,1143680,IHT,ALL RE	
4	1409093	2	ELBOW,BARBED INSERT,3/8 HOSE X 1/4 MPT	
5	3772159		PLUG,PIPE,0.375,BRASS W/SEALANT,HEX HD	
6	0009912		ELBOW,90 DEG,MALE1869X4X4-Z,.25MPT	
7	1644822		SENDER,LOW COOLANT LEVEL	
8	2023513	3	PLUG,PIPE,1/4,ALLEN HEX HD,BRASS	
9	0839027	4	NUT,HEX HD,3/8-16,GR G,SM FLG LK,YEL	
10	1339621	4	CAPSCREW,HEX FLG,3/8-16X1.25,GR5,YEL	
11	1816180	2	SPACER,SMOOTH,BLACK,.125 X 2 X 28.30	
12	0041336		BRACKET,MTG,DEAERATION TANK,LOWER,RH	
NI	1168152	AR	ADHESIVE,CONTACT,PARABOND M250,BRUSH	

Models: C4RE
ENGINE
CAT 3126
With: FEATURE 40187

Key	PartNumber	Qty	Description	Comment
-----	------------	-----	-------------	---------



Models: C4RE
ENGINE
CAT 3126
With: FEATURE 40187

Key	PartNumber	Qty	Description	Comment
1	0042517		BAFFLE,RADIATOR,UPPER, C4RE	
2	0042518		BAFFLE,RADIATOR,FRONT, C4RE	
3	0042516		BAFFLE,RADIATOR,LOWER, C4RE	
4	0042519		BAFFLE,RADIATOR,REAR, C4RE	
5	1149376		SEAL,RUBBER,ENGINE COVER FRT UNIGRIP SD	
6	1843184		RADIATOR AND CAC ASSY,VALEO 1040027	
7	1143676		SCREW,10-16 X 3/4, AB,PH1,PAN HD,BLK ZN,	
8	1068501		SEAL,RUBBER,A/C HOOD TRIM	
9	2000198		SCREW,5/16-18 X 1,D,HEX HD,YEL ZN DICH	
10	1997246		SHROUD & HYD MTR MNT ASSY,CAT3126B/ISC	
11	1305861		ISOLATOR,MOTOR MOUNT,BARRY	
12	0882803		CAPSCREW,HEX HD,3/8-16,X,1,,GR5,YELDICH	
13	1107085		WASHER,FLAT,13/32 X 13/16 X 3/32,HDN,BLK	
14	0826297		NUT,HEX HD,3/8-16 LOCK,YEL ZN DICH	
15	1868108		HOSE,HUMP,REINF,REDUCING,4.00 X 3.50 ID	
16	1450246		CLAMP,SPRING LOADED,3.75 ID,3.56-3.88	
17	1258599		CLAMP,SPRING LOADED,4.25 ID,4.06-4.38	
18	0803239		CAPSCREW,HEX HD,1/2-13 X1 1/2,GR8	
19	0850776		WASHER,FLAT,17/32 X 1 1/16 X 3/32,	
20	0850800		NUT,HEX HD,1/2-13,LOCKING,GR 8,CAD WAX	
21	1894849		BRACKET ASSY,MOUNTING,RAD BRACE,REAR,	
22	2008860		PIN,COTTER,3/32 X 1,YEL ZN DICH	
23	0959460		NUT,HEX HD,1/2-20,GR 8,YEL ZN DICH	

Models: C4RE
ENGINE
CAT 3126
With: FEATURE 40187

Key	PartNumber	Qty	Description	Comment
24	1306927		WASHER,FLAT, .531 X 2.250 X 11 GA,YEL	
25	1894773		ISOLATOR,BARRY	
26	1894872		BRACKET ASSY,MOUNTING,RAD BRACE,FRONT,	
27	1894906		BRACE ASSY,RADIATOR AND CAC,RE	
28	2008852		PIN,CLEVIS,1/2 DIA X 1 1/2, YEL ZN DICH	
29	0049970		TUBE,RADIATOR,UPPER,CAT 3126, C4RE	
30	1491612		HOSE,HUMP,REINF,3.50 ID X 5 FLX 7724-1	
31	0882795		LOCKWASHER,SPLIT RING,3/8,MED,YELLOW	
32	0006269		TUBE,TURBO TO CAC,CAT 3126,HDRE	
33	1868264		BRACE,MOUNTING,RAD BRACKET TO	
34	1905496		BRACKET ASSY,RADIATOR MOUNTING,RE	
35	1409093		ELBOW,BARBED INSERT,3/8 HOSE X 1/4 MPT	
36	0002636		TUBE,CAC TO INTAKE,CAT 3126,HDRE	
37	1896521		WASHER,FLAT, .531 X 2.00 X 11 GA,YEL ZN	
38	0803213		CAPSCREW,HEX HD,3/8-16X1 1/4,GR8,YEL	
39	0822817		SCREW,3/8-16 X 1,F,HEX WASH HD,YEL ZN	
40	1998939		TUBE,CHARGE AIR,CLR TO INTK,ISC 2 OF 2,RE	
41	0000945		BRACE ASSY,RADIATOR & CAC,REAR,RE	
42	0051522		BRACKET,SUPPORT,TUBE,CAC TO INTAKE,CAT,	
43	0000944		BRACKET,SUPT,CAC,LOWER,ISC,HDRE	
44	0805200		SADDLE,3 1/2IN,S-350 STD,EXHAUST	
45	0805192		U-BOLT,3 1/2,UB350 STD,EXHAUST	
46	0997742		CAPSCREW,HX HD,M10-1.5X25,CL10.9,	

Models: C4RE
ENGINE
CAT 3126
With: FEATURE 40187

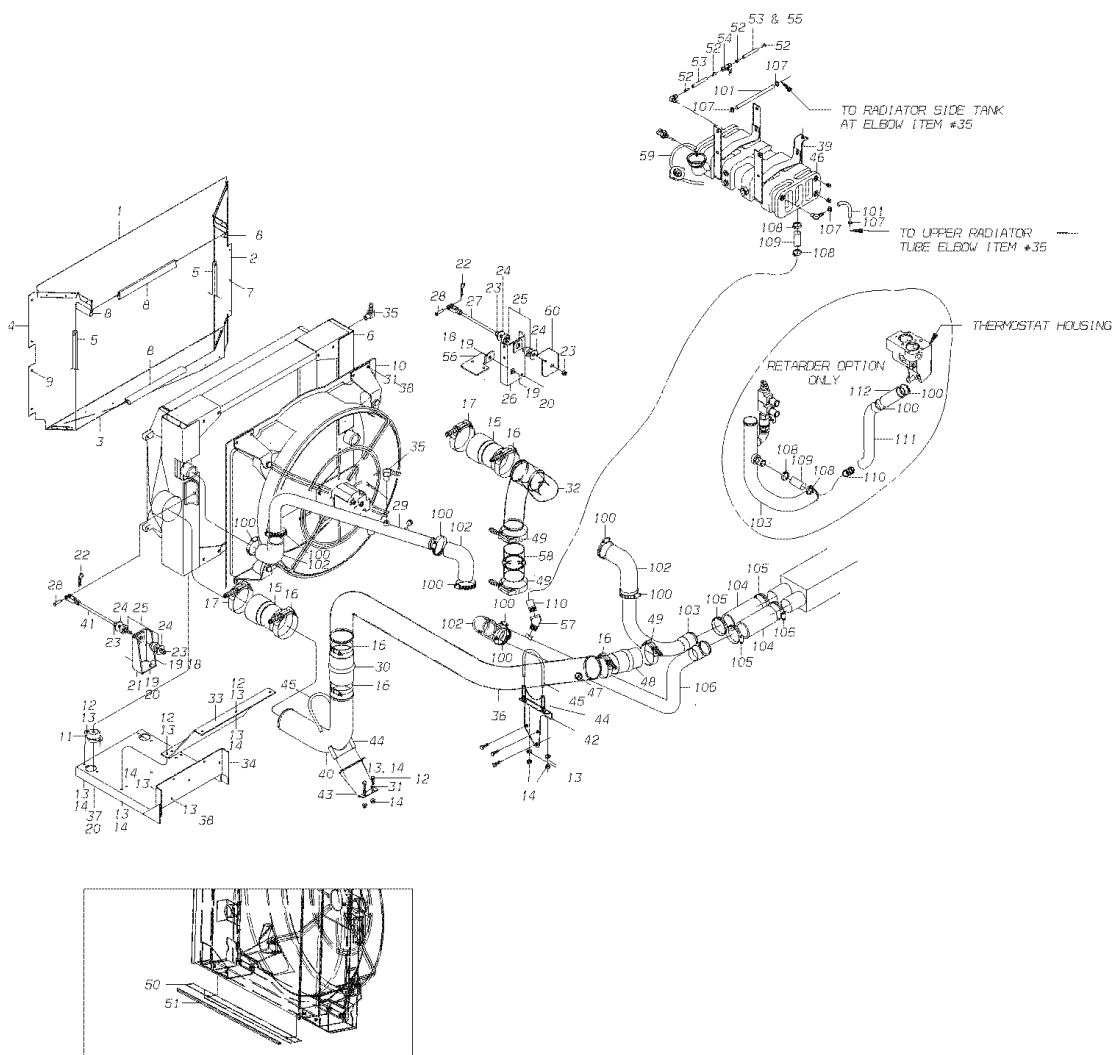
Key	PartNumber	Qty	Description	Comment
NI	1394675		LOCKWASHER,SPLIT RING,10 MM,MED,OLV DRB	
48	0040901		TANK ASSY,DEAERATION,JD 8.1,3126, C4RE	
49	1354877		PLUG,PIPE,1/2 ALLEN HEAD	
50	1487024		HOSE,HUMP,REINF,3.5 X 3 ID,FLX 7726	
51	1258581		CLAMP,SPRING LOADED,3.25 ID,3.06-3.38	
52	0035031		BAFFLE,CAC TO RADIATOR,BOTTOM, RE	
53	1149376		SEAL,RUBBER,ENGINE COVER FRT UNIGRIP SD	
54	0654970		INSERT,PLASTIC TUBING,1/4, 1484 X 4	
55	0654962		TUBING,PLASTIC,1/4 OD,BLACK,SAE J844 TYPE	
56	0878603		VALVE,COMPRESSION LINE SHUT OFF	
57	2005700		LOOM,ASPHALTUM,WIRE,1/4IN	
58	0049385		BRACKET,MTG,HEATER HOSES,ENG CMPT, C4RE	
59	2009272		ELBOW,STREET,3/4 45 DEG,GALV	
60	1487016		HOSE,HUMP,REINF,3 ID X 5 LG,FLX 7725	
61	0938548		HOSE,RUBBER,HO5705,5/16 ID X 9/16 OD	
62	0059165		BRACKET,SHIELD,TURBO,HEAT,CAT	
10	1894807		CLAMP,CONSTANT TORQUE,1-3/4 TO 2-5/8 DIA	
10	1361468		HOSE,SILICON,.37 ID PUROSIL 80	
10	1875244		ELBOW,SILICONE,90 DEG,2 IN ID	
10	0051531		TUBE ASSY,RAD TO COOLER W/ RET TRANS,	FEATURE 40187 WITH 40108-01 WITH 40423-02. B300R, 40424 -02. B400R
10	1885193		TUBE,RADIATOR,LOWER,RADIATOR TO	FEATURE 40187 WITH 40108-01
10	1875269		HOSE,SILICONE,2.25 ID X 6.00 LONG	
10	1905488		CLAMP,CONSTANT TORQUE,2 1/4 TO 3 1/8 DIA	

Models: C4RE
ENGINE
CAT 3126
With: **FEATURE 40187**

Key	PartNumber	Qty	Description	Comment
10	0011722		TUBE,RAD,LOWER,CLR TO ENG,CAT 3126,RE	<i>WITHOUT RETARDER</i>
10	0011723		TUBE,RAD,LOWER,CLR TO ENG,CAT 3126,	<i>WITH RETARDER. FEATURE 40423-06, 40424-06</i>
10	1363274		CLAMP,HOSE,SILICON,.62.00	
10	1894799		CLAMP,CONSTANT TORQUE,13/16 TO 1-1/2 DIA	
10	1143866		HOSE,HEATER,1 INCH ID,SILICONE	
11	0315200		ADAPTER,HTR,3/4 PIPE X 1 HOSE	
11	1889591		TUBE,RETARDER,BY-PASS COOLING,3126,	
11	0007122		HOSE,SILICONE,1.5 ID X 36, 3-PLY	

Models: C4RE
ENGINE
CAT C7
With: FEATURE 40187

Key	PartNumber	Qty	Description	Comment
-----	------------	-----	-------------	---------



Models: C4RE
ENGINE
CAT C7
With: FEATURE 40187

Key	PartNumber	Qty	Description	Comment
1	0042517		BAFFLE,RADIATOR,UPPER, C4RE	
2	0042518		BAFFLE,RADIATOR,FRONT, C4RE	
3	0042516		BAFFLE,RADIATOR,LOWER, C4RE	
4	0042519		BAFFLE,RADIATOR,REAR, C4RE	
5	1149376		SEAL,RUBBER,ENGINE COVER FRT UNIGRIP SD	
6	1843184		RADIATOR AND CAC ASSY,VALEO 1040027	
7	1143676		SCREW,10-16 X 3/4, AB,PH1,PAN HD,BLK ZN,	
8	1068501		SEAL,RUBBER,A/C HOOD TRIM	
9	2000198		SCREW,5/16-18 X 1,D,HEX HD,YEL ZN DICH	
10	1997246		SHROUD & HYD MTR MNT ASSY,CAT3126B/ISC	
11	1305861		ISOLATOR,MOTOR MOUNT,BARRY	
12	0882803		CAPSCREW,HEX HD,3/8-16,X,1,,GR5,YELDICH	
13	1107085		WASHER,FLAT,13/32 X 13/16 X 3/32,HDN,BLK	
14	0826297		NUT,HEX HD,3/8-16 LOCK,YEL ZN DICH	
15	1868108		HOSE,HUMP,REINF,REDUCING,4.00 X 3.50 ID	
16	1450246		CLAMP,SPRING LOADED,3.75 ID,3.56-3.88	
17	1258599		CLAMP,SPRING LOADED,4.25 ID,4.06-4.38	
18	0803239		CAPSCREW,HEX HD,1/2-13 X1 1/2,GR8	
19	0850776		WASHER,FLAT,17/32 X 1 1/16 X 3/32,	
20	0850800		NUT,HEX HD,1/2-13,LOCKING,GR 8,CAD WAX	
21	1894849		BRACKET ASSY,MOUNTING,RAD BRACE,REAR,	
22	2008860		PIN,COTTER,3/32 X 1,YEL ZN DICH	
23	0959460		NUT,HEX HD,1/2-20,GR 8,YEL ZN DICH	

Models: C4RE
ENGINE
CAT C7
With: FEATURE 40187

Key	PartNumber	Qty	Description	Comment
24	1306927		WASHER,FLAT, .531 X 2.250 X 11 GA,YEL	
25	1894773		ISOLATOR,BARRY	
26	1894872		BRACKET ASSY,MOUNTING,RAD BRACE,FRONT,	
27	1894906		BRACE ASSY,RADIATOR AND CAC,RE	
28	2008852		PIN,CLEVIS,1/2 DIA X 1 1/2, YEL ZN DICH	
29	0049970		TUBE,RADIATOR,UPPER,CAT 3126, C4RE	
30	1491612		HOSE,HUMP,REINF,3.50 ID X 5 FLX 7724-1	
31	0882795		LOCKWASHER,SPLIT RING,3/8,MED,YELLOW	
32	0006269		TUBE,TURBO TO CAC,CAT 3126,HDRE	
33	1868264		BRACE,MOUNTING,RAD BRACKET TO	
34	1905496		BRACKET ASSY,RADIATOR MOUNTING,RE	
35	1409093		ELBOW,BARBED INSERT,3/8 HOSE X 1/4 MPT	
36	0002636		TUBE,CAC TO INTAKE,CAT 3126,HDRE	
37	1896521		WASHER,FLAT, .531 X 2.00 X 11 GA,YEL ZN	
38	0803213		CAPSCREW,HEX HD,3/8-16X1 1/4,GR8,YEL	
39	0822817		SCREW,3/8-16 X 1,F,HEX WASH HD,YEL ZN	
40	1998939		TUBE,CHARGE AIR,CLR TO INTK,ISC 2 OF 2,RE	
41	0000945		BRACE ASSY,RADIATOR & CAC,REAR,RE	
42	0034335		BRACKET,SUPPORT,TUBE,CAC TO INTAKE,C7,	
43	0000944		BRACKET,SUPT,CAC,LOWER,ISC,HDRE	ENDING WITH CSN F0217729
43	0086253		BRACKET,SUPPORT,CHARGE AIR TUBE LOWER,	BEGIN WITH CSN F0217730
44	0805200		SADDLE,3 1/2IN,S-350 STD,EXHAUST	STANDARD EXHAUST
45	0805192		U-BOLT,3 1/2,UB350 STD,EXHAUST	STANDARD EXHAUST

Models: C4RE
ENGINE
CAT C7
With: FEATURE 40187

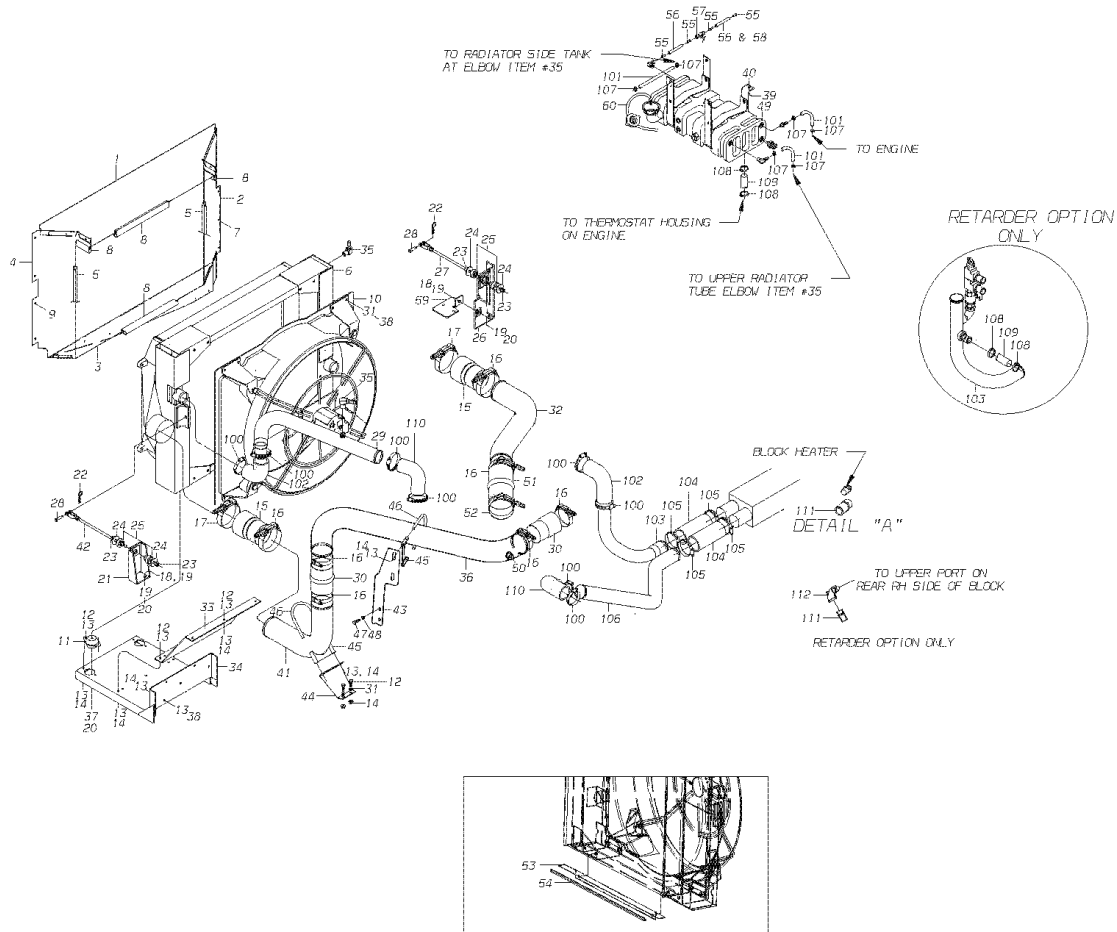
Key	PartNumber	Qty	Description	Comment
46	0040901		TANK ASSY,DEAERATION,JD 8.1,3126, C4RE	
47	1354877		PLUG,PIPE,1/2 ALLEN HEAD	
48	1487024		HOSE,HUMP,REINF,3.5 X 3 ID,FLX 7726	
49	1258581		CLAMP,SPRING LOADED,3.25 ID,3.06-3.38	
50	0035031		BAFFLE,CAC TO RADIATOR,BOTTOM, RE	
51	1149376		SEAL,RUBBER,ENGINE COVER FRT UNIGRIP SD	
52	0654970		INSERT,PLASTIC TUBING,1/4, 1484 X 4	
53	0654962		TUBING,PLASTIC,1/4 OD,BLACK,SAE J844 TYPE	
54	0878603		VALVE,COMPRESSION LINE SHUT OFF	
55	2005700		LOOM,ASPHALTUM,WIRE,1/4IN	
56	0049385		BRACKET,MTG,HEATER HOSES,ENG CMPT, C4RE	
57	2009272		ELBOW,STREET,3/4 45 DEG,GALV	
58	1487016		HOSE,HUMP,REINF,3 ID X 5 LG,FLX 7725	
59	0938548		HOSE,RUBBER,HO5705,5/16 ID X 9/16 OD	
60	0059165		BRACKET,SHIELD,TURBO,HEAT,CAT	
10	1894807		CLAMP,CONSTANT TORQUE,1-3/4 TO 2-5/8 DIA	
10	1361468		HOSE,SILICON,.37 ID PUROSIL 80	
10	1875244		ELBOW,SILICONE,90 DEG,2 IN ID	
10	0051531		TUBE ASSY,RAD TO COOLER W/ RET TRANS,	FEATURE 40187 WITH 40108-01 WITH 40423-06. B300R, 40424 -06. B400R
10	1885193		TUBE,RADIATOR,LOWER,RADIATOR TO	FEATURE 40187 WITH 40108-01
10	1875269		HOSE,SILICONE,2.25 ID X 6.00 LONG	
10	1905488		CLAMP,CONSTANT TORQUE,2 1/4 TO 3 1/8 DIA	
10	0011722		TUBE,RAD,LOWER,CLR TO ENG,CAT 3126,RE	WITHOUT RETARDER

Models: C4RE
ENGINE
CAT C7
With: **FEATURE 40187**

Key	PartNumber	Qty	Description	Comment
10	0011723		TUBE,RAD,LOWER,CLR TO ENG,CAT 3126,	<i>FEATURE 40423-06, 40424-06</i>
10	1363274		CLAMP,HOSE,SILICON,.62.00	
10	1894799		CLAMP,CONSTANT TORQUE,13/16 TO 1-1/2 DIA	
10	1143866		HOSE,HEATER,1 INCH ID,SILICONE	
11	0315200		ADAPTER,HTR,3/4 PIPE X 1 HOSE	
11	0064195		TUBE,RETARDER,BY-PASS COOLING,CAT C-7,	
11	0007122		HOSE,SILICONE,1.5 ID X 36, 3-PLY	

Models: C4RE
ENGINE
CUMMINS ISC
With: FEATURE 40184
To CSN F0131999

Key	PartNumber	Qty	Description	Comment
-----	------------	-----	-------------	---------



Models: C4RE
ENGINE
CUMMINS ISC
With: FEATURE 40184
 To CSN F0131999

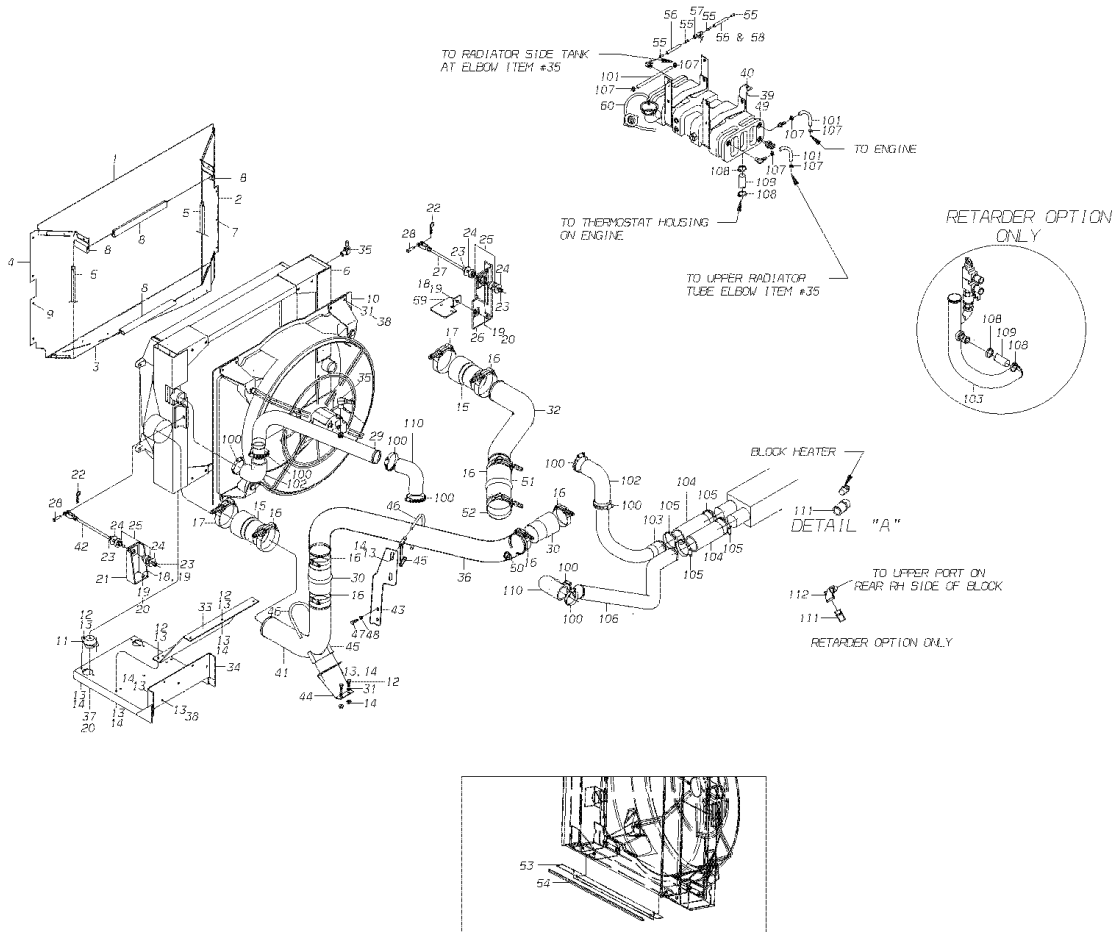
Key	PartNumber	Qty	Description	Comment
1	0042517		BAFFLE,RADIATOR,UPPER, C4RE	
2	0042518		BAFFLE,RADIATOR,FRONT, C4RE	
3	0042516		BAFFLE,RADIATOR,LOWER, C4RE	
4	0042519		BAFFLE,RADIATOR,REAR, C4RE	
5	1149376	5	SEAL,RUBBER,ENGINE COVER FRT UNIGRIP SD	
6	1843184		RADIATOR AND CAC ASSY,VALEO 1040027	
7	1143676	21	SCREW,10-16 X 3/4, AB,PH1,PAN HD,BLK ZN,	
8	1068501	53	SEAL,RUBBER,A/C HOOD TRIM	
9	2000198	4	SCREW,5/16-18 X 1,D,HEX HD,YEL ZN DICH	
10	1997246		SHROUD & HYD MTR MNT ASSY,CAT3126B/ISC	
11	1305861	2	ISOLATOR,MOTOR MOUNT,BARRY	
12	0882803	14	CAPSCREW,HEX HD,3/8-16,X,1,,GR5,YELDICH	
13	1107085	38	WASHER,FLAT,13/32 X 13/16 X 3/32,HDN,BLK	
14	0826297	23	NUT,HEX HD,3/8-16 LOCK,YEL ZN DICH	
15	1868108	2	HOSE,HUMP,REINF,REDUCING,4.00 X 3.50 ID	
16	1450246	7	CLAMP,SPRING LOADED,3.75 ID,3.56-3.88	
17	1258599	2	CLAMP,SPRING LOADED,4.25 ID,4.06-4.38	
18	0803239	4	CAPSCREW,HEX HD,1/2-13 X1 1/2,GR8	
19	0850776	10	WASHER,FLAT,17/32 X 1 1/16 X 3/32,	
20	0850800	6	NUT,HEX HD,1/2-13,LOCKING,GR 8,CAD WAX	
21	1894849		BRACKET ASSY,MOUNTING,RAD BRACE,REAR,	
22	2008860	2	PIN,COTTER,3/32 X 1,YEL ZN DICH	
23	0959460	4	NUT,HEX HD,1/2-20,GR 8,YEL ZN DICH	

Models: C4RE
ENGINE
CUMMINS ISC
With: FEATURE 40184
 To CSN F0131999

Key	PartNumber	Qty	Description	Comment
24	1306927	4	WASHER,FLAT, .531 X 2.250 X 11 GA,YEL	
25	1894773	2	ISOLATOR,BARRY	
26	0038789		BRACKET ASSY,RADIATOR BRACE,FRONT, C4RE	
27	1894906		BRACE ASSY,RADIATOR AND CAC,RE	
28	2008852	2	PIN,CLEVIS,1/2 DIA X 1 1/2, YEL ZN DICH	
29	0038787		TUBE,RADIATOR,UPPER,CUMMINS ISC, C4RE	
30	1491612	2	HOSE,HUMP,REINF,3.50 ID X 5 FLX 7724-1	
31	0882795	10	LOCKWASHER,SPLIT RING,3/8,MED,YELLOW	
32	1982354		TUBE,CHARGE AIR,CLR TO TURBO,ISC	
33	1868264		BRACE,MOUNTING,RAD BRACKET TO	
34	1905496		BRACKET ASSY,RADIATOR MOUNTING,RE	
35	1409093	2	ELBOW,BARBED INSERT,3/8 HOSE X 1/4 MPT	
36	0005999		TUBE,CAC TO INTAKE,UPPER,ISC,RE	
37	1896521	2	WASHER,FLAT, .531 X 2.00 X 11 GA,YEL ZN	
38	0803213	13	CAPSCREW,HEX HD,3/8-16X1 1/4,GR8,YEL	
39	1044650	4	CAPSCREW,HEX,FLANGE 1/4-20X7/8	
40	1339639	4	NUT,HEX HD,1/4-20,PRVLG TORQUE,FLG,YEL	
41	1998939		TUBE,CHARGE AIR,CLR TO INTK,ISC 2 OF 2,RE	
42	0000945		BRACE ASSY,RADIATOR & CAC,REAR,RE	
43	0006000		BRACKET,SUPPORT,TUBE,CAC TO INTK,UPR,ISC	
44	0000944		BRACKET,SUPT,CAC,LOWER,ISC,HDRE	ENDING WITH CSN F0217729
44	0086253		BRACKET,SUPPORT,CHARGE AIR TUBE LOWER,	BEGIN WITH CSN F0217730

Models: C4RE
ENGINE
CUMMINS ISC
With: FEATURE 40184
To CSN F0131999

Key	PartNumber	Qty	Description	Comment
-----	------------	-----	-------------	---------



Models: C4RE
ENGINE
CUMMINS ISC
With: FEATURE 40184
 To CSN F0131999

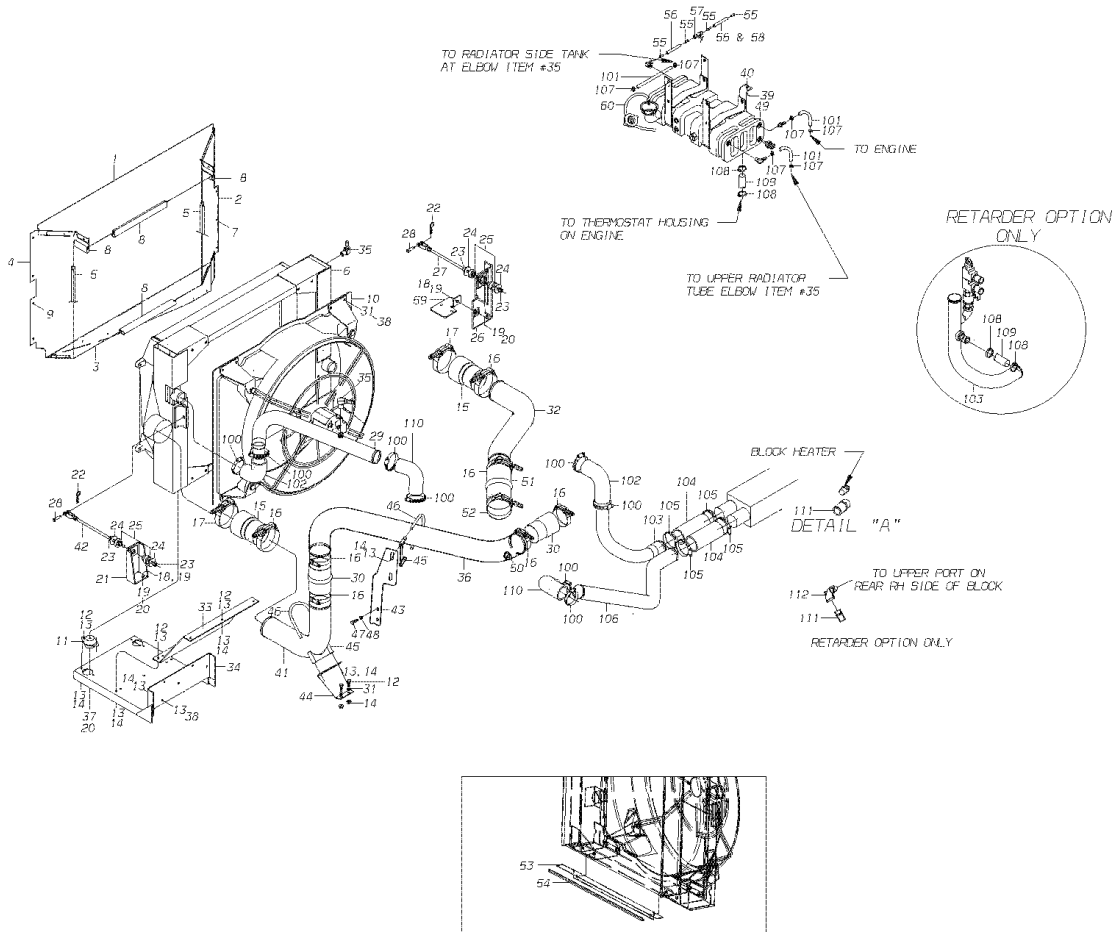
Key	PartNumber	Qty	Description	Comment
45	0805200	2	SADDLE,3 1/2IN,S-350 STD,EXHAUST	
46	0805192	2	U-BOLT,3 1/2,UB350 STD,EXHAUST	
47	1854173	2	BOLT,HEX HD,M10 X 15,ALLISON 23049056	
48	1394675	2	LOCKWASHER,SPLIT RING,10 MM,MED,OLV DRB	
49	0041065		TANK ASSY,DEAERATION,C4RE	
50	1354877		PLUG,PIPE,1/2 ALLEN HEAD	
51	1487024		HOSE,HUMP,REINF,3.5 X 3 ID,FLX 7726	
52	1258581		CLAMP,SPRING LOADED,3.25 ID,3.06-3.38	
53	0035031		BAFFLE,CAC TO RADIATOR,BOTTOM, RE	
54	1149376		SEAL,RUBBER,ENGINE COVER FRT UNIGRIP SD	
55	0654970	2.5	INSERT,PLASTIC TUBING,1/4, 1484 X 4	
56	0654962	68	TUBING,PLASTIC,1/4 OD,BLACK,SAE J844 TYPE	
57	0878603		VALVE,COMPRESSION LINE SHUT OFF	
10	1894807	8	CLAMP,CONSTANT TORQUE,1-3/4 TO 2-5/8 DIA	FEATURE 40184 WITH 40108-01 WITH 40423-06 (B300R) OR 40424-06 (B400R)
10	1361468	36	HOSE,SILICON,.37 ID PUROSIL 80	FEATURE 40184 WITH 40108-01 WITH 40423-06 (B300R) OR 40424-06 (B400R)
10	1875244		ELBOW,SILICONE,90 DEG,2 IN ID	FEATURE 40184 WITH 40108-01 WITH 40423-06 (B300R) OR 40424-06 (B400R)
10	1902972		TUBE ASSY,RAD,LWR,RAD TO CLR W/RETDR	FEATURE 40184 WITH 40108-01 WITH OR WITHOUT 40423-06 (B300R) OR 40424-06 (B400R). ENDING 03/03/02.
10	0051531		TUBE ASSY,RAD TO COOLER W/ RET TRANS,	FEATURE 40184 WITH 40108-01 WITH OR WITHOUT 40423-06 (B300R) OR 40424-06 (B400R). BEGIN 03/04/02.
10	1875269	2	HOSE,SILICONE,2.25 ID X 6.00 LONG	FEATURE 40184 WITH 40108-01 WITH OR WITHOUT 40423-06

Models: C4RE
ENGINE
CUMMINS ISC
With: FEATURE 40184
 To CSN F0131999

Key	PartNumber	Qty	Description	Comment
				(B300R) OR 40424-06 (B400R)
10	1905488	4	CLAMP,CONSTANT TORQUE,2 1/4 TO 3 1/8 DIA	FEATURE 40184 WITH 40108-01 WITH OR WITHOUT 40423-06 (B300R) OR 40424-06 (B400R)
10	1998962		TUBE,RAD,LWR,ENG TO CLR W/RETDR CUMN	FEATURE 40184 WITH 40108-01 WITH OR WITHOUT 40423-06 (B300R) OR 40424-06 (B400R)
10	1363274	6	CLAMP,HOSE,SILICON,-.62.00	FEATURE 40184 WITH 40108-01 WITH OR WITHOUT 40423-06 (B300R) OR 40424-06 (B400R)
10	1894799	2	CLAMP,CONSTANT TORQUE,13/16 TO 1-1/2 DIA	FEATURE 40184 WITH 40108-01 WITH OR WITHOUT 40423-06 (B300R) OR 40424-06 (B400R)
10	1143866	50	HOSE,HEATER,1 INCH ID,SILICONE	FEATURE 40184 WITH 40108-01 WITH OR WITHOUT 40423-06 (B300R) OR 40424-06 (B400R)
11	1534981	2	ELBOW,SILICONE,90 DEG 2.25 X 4.00 X 6.00	FEATURE 40184 WITH 40108-01 WITH OR WITHOUT 40423-06 (B300R) OR 40424-06 (B400R)
11	0315200	2	ADAPTER,HTR,3/4 PIPE X 1 HOSE	FEATURE 40184 WITH 40108-01 WITH OR WITHOUT 40423-06 (B300R) OR 40424-06 (B400R)
11	2009272		ELBOW,STREET,3/4 45 DEG,GALV	FEATURE 40184 WITH 40108-01 WITH OR WITHOUT 40423-06 (B300R) OR 40424-06 (B400R)
11	0760249		ELBOW,STREET,3/4,90 DEG,GALV	FEATURE 40184 WITH 40108-01 WITH OR WITHOUT 40423-06 (B300R) OR 40424-06 (B400R)
11	0001828		ADAPTER,FEM 37DEG TO FEM PIPE,WH-	FEATURE 40184 WITH 40108-01.
11	0001829		ELBOW,O-RING,37DEG TO METRIC,WH	FEATURE 40184 WITH 40108-01 WITH OR WITHOUT 40423-06 (B300R) OR 40424-06 (B400R)

Models: C4RE
ENGINE
CUMMINS ISC
With: FEATURE 40184
To CSN F0131999

Key	PartNumber	Qty	Description	Comment
-----	------------	-----	-------------	---------

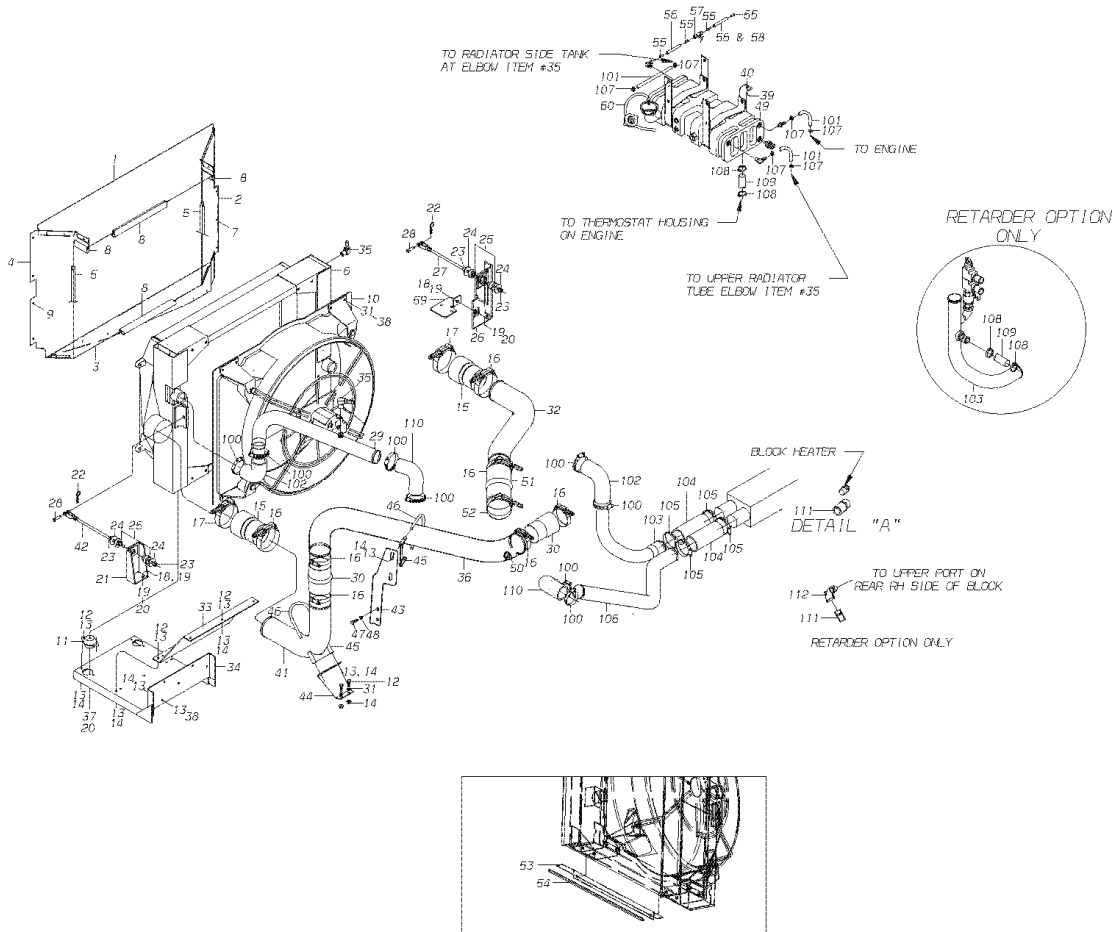


Models: C4RE
ENGINE
CUMMINS ISC
With: FEATURE 40184
 To CSN F0131999

Key	PartNumber	Qty	Description	Comment
			40184 WITH 40108-01 SILICONE HOSES AND	
10	1894807	8	CLAMP,CONSTANT TORQUE,1-3/4 TO 2-5/8 DIA	
10	1361468	36	HOSE,SILICON,.37 ID PUROSIL 80	
10	1875244	2	ELBOW,SILICONE,90 DEG,2 IN ID	
10	1885193		TUBE,RADIATOR,LOWER,RADIATOR TO	
10	1875269	2	HOSE,SILICONE,2.25 ID X 6.00 LONG	
10	1905488	4	CLAMP,CONSTANT TORQUE,2 1/4 TO 3 1/8 DIA	
10	1935634		TUBE,RADIATOR,LOWER,ENG TO CLR,ISC,HDRE	
10	1363274	6	CLAMP,HOSE,SILICON,.62.00	
10	1894799	2	CLAMP,CONSTANT TORQUE,13/16 TO 1-1/2 DIA	
10	1143866	26	HOSE,HEATER,1 INCH ID,SILICONE	
11	1534981	2	ELBOW,SILICONE,90 DEG 2.25 X 4.00 X 6.00	

Models: C4RE
ENGINE
CUMMINS ISC
With: FEATURE 40184
BSN: From CSN F0132000

Key	PartNumber	Qty	Description	Comment
-----	------------	-----	-------------	---------



Models: C4RE
ENGINE
CUMMINS ISC
With: FEATURE 40184
BSN: From CSN F0132000

Key	PartNumber	Qty	Description	Comment
1	0042517		BAFFLE,RADIATOR,UPPER, C4RE	
2	0042518		BAFFLE,RADIATOR,FRONT, C4RE	
3	0042516		BAFFLE,RADIATOR,LOWER, C4RE	
4	0042519		BAFFLE,RADIATOR,REAR, C4RE	
5	1149376	5	SEAL,RUBBER,ENGINE COVER FRT UNIGRIP SD	
6	1843184		RADIATOR AND CAC ASSY,VALEO 1040027	
7	1143676	21	SCREW,10-16 X 3/4, AB,PH1,PAN HD,BLK ZN,	
8	1068501	53	SEAL,RUBBER,A/C HOOD TRIM	
9	2000198	4	SCREW,5/16-18 X 1,D,HEX HD,YEL ZN DICH	
10	1997246		SHROUD & HYD MTR MNT ASSY,CAT3126B/ISC	
11	1305861	2	ISOLATOR,MOTOR MOUNT,BARRY	
12	0882803	14	CAPSCREW,HEX HD,3/8-16,X,1,,GR5,YELDICH	
13	1107085	38	WASHER,FLAT,13/32 X 13/16 X 3/32,HDN,BLK	
14	0826297	23	NUT,HEX HD,3/8-16 LOCK,YEL ZN DICH	
15	1868108	2	HOSE,HUMP,REINF,REDUCING,4.00 X 3.50 ID	
16	1450246	7	CLAMP,SPRING LOADED,3.75 ID,3.56-3.88	
17	1258599	2	CLAMP,SPRING LOADED,4.25 ID,4.06-4.38	
18	0803239	4	CAPSCREW,HEX HD,1/2-13 X1 1/2,GR8	
19	0850776	10	WASHER,FLAT,17/32 X 1 1/16 X 3/32,	
20	0850800	6	NUT,HEX HD,1/2-13,LOCKING,GR 8,CAD WAX	
21	1894849		BRACKET ASSY,MOUNTING,RAD BRACE,REAR,	
22	2008860	2	PIN,COTTER,3/32 X 1,YEL ZN DICH	
23	0959460	4	NUT,HEX HD,1/2-20,GR 8,YEL ZN DICH	

Models: C4RE
ENGINE
CUMMINS ISC
With: FEATURE 40184
BSN: From CSN F0132000

Key	PartNumber	Qty	Description	Comment
24	1306927	4	WASHER,FLAT, .531 X 2.250 X 11 GA,YEL	
25	1894773	2	ISOLATOR,BARRY	
26	0038789		BRACKET ASSY,RADIATOR BRACE,FRONT, C4RE	
27	1894906		BRACE ASSY,RADIATOR AND CAC,RE	
28	2008852	2	PIN,CLEVIS,1/2 DIA X 1 1/2, YEL ZN DICH	
29	0038787		TUBE,RADIATOR,UPPER,CUMMINS ISC, C4RE	
30	1491612	2	HOSE,HUMP,REINF,3.50 ID X 5 FLX 7724-1	
31	0882795	10	LOCKWASHER,SPLIT RING,3/8,MED,YELLOW	
32	1982354		TUBE,CHARGE AIR,CLR TO TURBO,ISC	
33	1868264		BRACE,MOUNTING,RAD BRACKET TO	
34	1905496		BRACKET ASSY,RADIATOR MOUNTING,RE	
35	1409093	2	ELBOW,BARBED INSERT,3/8 HOSE X 1/4 MPT	
36	0005999		TUBE,CAC TO INTAKE,UPPER,ISC,RE	
37	1896521	2	WASHER,FLAT, .531 X 2.00 X 11 GA,YEL ZN	
38	0803213	13	CAPSCREW,HEX HD,3/8-16X1 1/4,GR8,YEL	
39	1044650	4	CAPSCREW,HEX,FLANGE 1/4-20X7/8	
40	1339639	4	NUT,HEX HD,1/4-20,PRVLG TORQUE,FLG,YEL	
41	1998939		TUBE,CHARGE AIR,CLR TO INTK,ISC 2 OF 2,RE	
42	0000945		BRACE ASSY,RADIATOR & CAC,REAR,RE	
43	0006000		BRACKET,SUPPORT,TUBE,CAC TO INTK,UPR,ISC	
44	0000944		BRACKET,SUPT,CAC,LOWER,ISC,HDRE	ENDING WITH CSN F0217729
44	0086253		BRACKET,SUPPORT,CHARGE AIR TUBE LOWER,	BEGIN WITH CSN F0217730
45	0805200	2	SADDLE,3 1/2IN,S-350 STD,EXHAUST	

Models: C4RE
ENGINE
CUMMINS ISC
With: FEATURE 40184
BSN: From CSN F0132000

Key	PartNumber	Qty	Description	Comment
46	0805192	2	U-BOLT,3 1/2,UB350 STD,EXHAUST	
47	1854173	2	BOLT,HEX HD,M10 X 15,ALLISON 23049056	
48	1394675	2	LOCKWASHER,SPLIT RING,10 MM,MED,OLV DRB	
49	0041065		TANK ASSY,DEAERATION,C4RE	
50	1354877		PLUG,PIPE,1/2 ALLEN HEAD	
51	1487024		HOSE,HUMP,REINF,3.5 X 3 ID,FLX 7726	
52	1258581		CLAMP,SPRING LOADED,3.25 ID,3.06-3.38	
53	0035031		BAFFLE,CAC TO RADIATOR,BOTTOM, RE	
54	1149376		SEAL,RUBBER,ENGINE COVER FRT UNIGRIP SD	
55	0654970	2.5	INSERT,PLASTIC TUBING,1/4, 1484 X 4	
56	0654962	68	TUBING,PLASTIC,1/4 OD,BLACK,SAE J844 TYPE	
57	0878603		VALVE,COMPRESSION LINE SHUT OFF	
58	2005700	64	LOOM,ASPHALTUM,WIRE,1/4IN	
59	0049385		BRACKET,MTG,HEATER HOSES,ENG CMPT, C4RE	
60	0938548	4	HOSE,RUBBER,HO5705,5/16 ID X 9/16 OD	
10	1894807	8	CLAMP,CONSTANT TORQUE,1-3/4 TO 2-5/8 DIA	FEATURE 40184 WITH 40108-01 (SILICONE HOSES) WITH OR WITHOUT 40423-02 (B300R) OR 40424-06 (B400R) AND CONSTANT TORQUE CLAMPS
10	1361468	36I	HOSE,SILICON,.37 ID PUROSIL 80	FEATURE 40184 WITH 40108-01 (SILICONE HOSES) WITH OR WITHOUT 40423-02 (B300R) OR 40424-06 (B400R) AND CONSTANT TORQUE CLAMPS
10	1875244		ELBOW,SILICONE,90 DEG,2 IN ID	FEATURE 40184 WITH 40108-01 (SILICONE HOSES) WITH OR WITHOUT 40423-02 (B300R) OR 40424-06 (B400R) AND CONSTANT TORQUE CLAMPS
10	1902972		TUBE ASSY,RAD,LWR,RAD TO CLR W/RETDR	

Models: C4RE
ENGINE
CUMMINS ISC
With: FEATURE 40184
BSN: From CSN F0132000

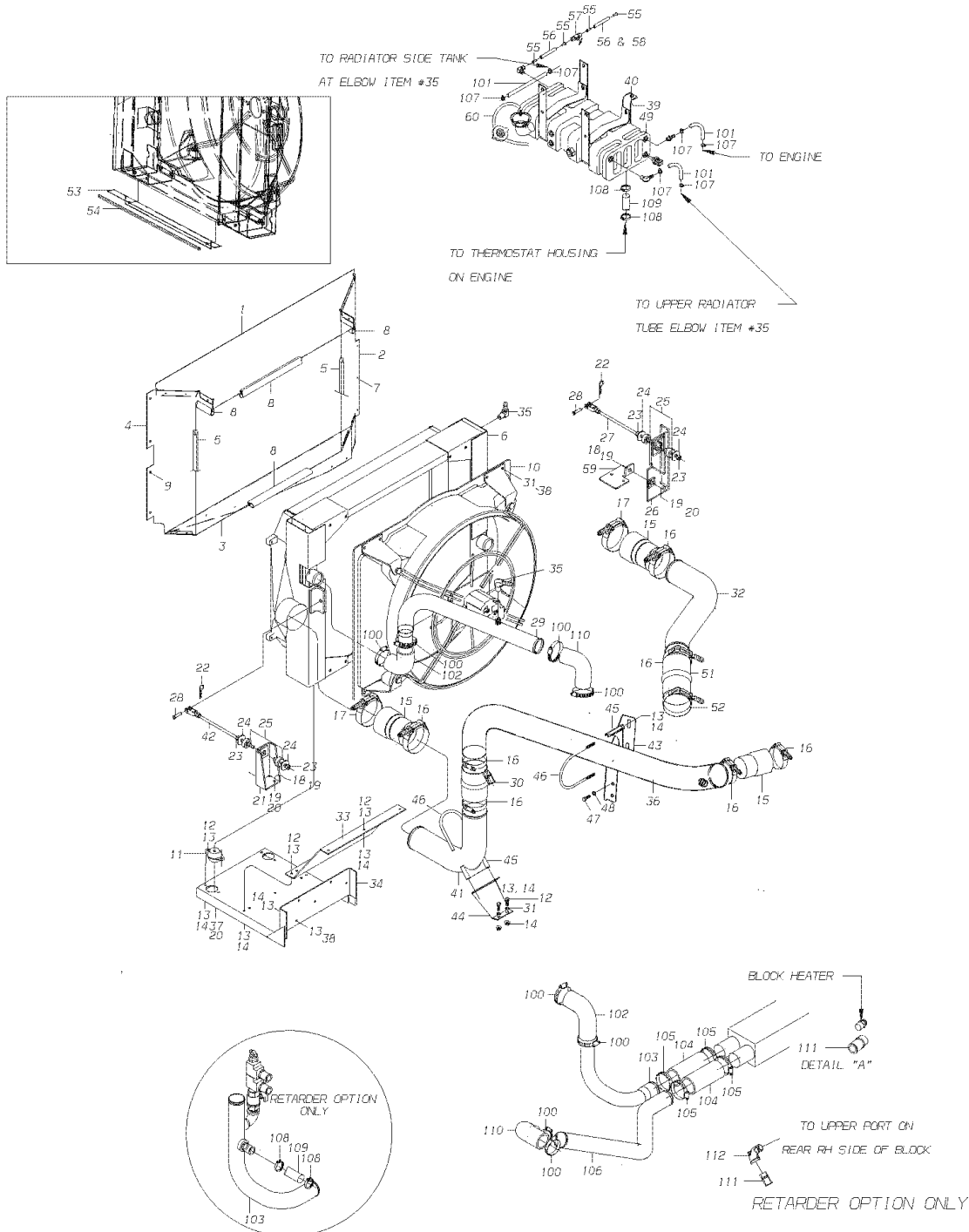
Key	PartNumber	Qty	Description	Comment
				WITH OR WITHOUT 40423-06 (B300R) OR 40424-06 (B400R). ENDING 03/03/02.
10	0051531		TUBE ASSY,RAD TO COOLER W/ RET TRANS,	FEATURE 40184 WITH 40108-01 WITH OR WITHOUT 40423-06 (B300R) OR 40424-06 (B400R). BEGIN 03/04/02.
10	1885193		TUBE,RADIATOR,LOWER,RADIATOR TO	FEATURE 40184 WITH 40108-01 (SILICONE HOSES AND CONSTANT TORQUE CLAMPS).
10	1875269	2	HOSE,SILICONE,2.25 ID X 6.00 LONG	FEATURE 40184 WITH 40108-01 (SILICONE HOSES) WITH OR WITHOUT 40423-02 (B300R) OR 40424-06 (B400R) AND CONSTANT TORQUE CLAMPS
10	1905488	4	CLAMP,CONSTANT TORQUE,2 1/4 TO 3 1/8 DIA	FEATURE 40184 WITH 40108-01 (SILICONE HOSES) WITH OR WITHOUT 40423-02 (B300R) OR 40424-06 (B400R) AND CONSTANT TORQUE CLAMPS
10	1998962		TUBE,RAD,LWR,ENG TO CLR W/RETDR CUMN	FEATURE 40184 WITH 40108-01 (SILICONE HOSES) WITH 40423-02,-06, (B300R) OR 40424-06 (B400R) AND CONSTANT TORQUE CLAMPS
10	1935634		TUBE,RADIATOR,LOWER,ENG TO CLR,ISC,HDRE	FEATURE 40184 WITH 40108-01
10	1363274	6	CLAMP,HOSE,SILICON, .62.00	FEATURE 40184 WITH 40108-01 (SILICONE HOSES) WITH OR WITHOUT 40423-02 (B300R) OR 40424-06 (B400R) AND CONSTANT TORQUE CLAMPS
10	1894799	2	CLAMP,CONSTANT TORQUE,13/16 TO 1-1/2 DIA	FEATURE 40184 WITH 40108-01 (SILICONE HOSES) WITH OR WITHOUT 40423-02 (B300R) OR 40424-06 (B400R) AND CONSTANT TORQUE CLAMPS
10	1143866	50	HOSE,HEATER,1 INCH ID,SILICONE	FEATURE 40184 WITH 40108-01 (SILICONE HOSES) WITH OR WITHOUT 40423-02 (B300R) OR 40424-06 (B400R) AND CONSTANT TORQUE CLAMPS
11	1534981	2	ELBOW,SILICONE,90 DEG 2.25 X 4.00 X 6.00	FEATURE 40184 WITH 40108-01 (SILICONE HOSES) WITH OR

Models: C4RE
ENGINE
CUMMINS ISC
With: FEATURE 40184
BSN: From CSN F0132000

Key	PartNumber	Qty	Description	Comment
				<i>WITHOUT 40423-02 (B300R) OR 40424-06 (B400R) AND CONSTANT TORQUE CLAMPS</i>
11	0315200	2	ADAPTER,HTR,3/4 PIPE X 1 HOSE	<i>FEATURE 40184 WITH 40108-01 (SILICONE HOSES) WITH 40423-02 (B300R) OR 40424-06 (B400R) AND CONSTANT TORQUE CLAMPS</i>
11	2009272		ELBOW,STREET,3/4 45 DEG,GALV	<i>FEATURE 40184 WITH 40108-01 (SILICONE HOSES) WITH 40423-02 (B300R) OR 40424-06 (B400R) AND CONSTANT TORQUE CLAMPS</i>
11	0760249		ELBOW,STREET,3/4,90 DEG,GALV	<i>FEATURE 40184 WITH 40108-01 (SILICONE HOSES) WITH 40423-02 (B300R) OR 40424-06 (B400R) AND CONSTANT TORQUE CLAMPS</i>

Models: C4RE
ENGINE
CUMMINS ISC 03, 05
With: FEATURE 40184

Key	PartNumber	Qty	Description	Comment
-----	------------	-----	-------------	---------



Models: C4RE
ENGINE
CUMMINS ISC 03, 05
With: FEATURE 40184

Key	PartNumber	Qty	Description	Comment
1	0042517		BAFFLE,RADIATOR,UPPER, C4RE	
2	0042518		BAFFLE,RADIATOR,FRONT, C4RE	
3	0042516		BAFFLE,RADIATOR,LOWER, C4RE	
4	0042519		BAFFLE,RADIATOR,REAR, C4RE	
5	1149376	5	SEAL,RUBBER,ENGINE COVER FRT UNIGRIP SD	
6	1843184		RADIATOR AND CAC ASSY,VALEO 1040027	
7	1143676	21	SCREW,10-16 X 3/4, AB,PH1,PAN HD,BLK ZN,	
8	1068501	53	SEAL,RUBBER,A/C HOOD TRIM	
9	2000198	4	SCREW,5/16-18 X 1,D,HEX HD,YEL ZN DICH	
10	1997246		SHROUD & HYD MTR MNT ASSY,CAT3126B/ISC	
11	1305861	2	ISOLATOR,MOTOR MOUNT,BARRY	
12	0882803	14	CAPSCREW,HEX HD,3/8-16,X,1,,GR5,YELDICH	
13	1107085	38	WASHER,FLAT,13/32 X 13/16 X 3/32,HDN,BLK	
14	0826297	23	NUT,HEX HD,3/8-16 LOCK,YEL ZN DICH	
15	1868108	2	HOSE,HUMP,REINF,REDUCING,4.00 X 3.50 ID	
16	1450246	7	CLAMP,SPRING LOADED,3.75 ID,3.56-3.88	
17	1258599	2	CLAMP,SPRING LOADED,4.25 ID,4.06-4.38	
18	0803239	4	CAPSCREW,HEX HD,1/2-13 X1 1/2,GR8	
19	0850776	10	WASHER,FLAT,17/32 X 1 1/16 X 3/32,	
20	0850800	6	NUT,HEX HD,1/2-13,LOCKING,GR 8,CAD WAX	
21	1894849		BRACKET ASSY,MOUNTING,RAD BRACE,REAR,	
22	2008860	2	PIN,COTTER,3/32 X 1,YEL ZN DICH	
23	0959460	4	NUT,HEX HD,1/2-20,GR 8,YEL ZN DICH	

Models: C4RE
ENGINE
CUMMINS ISC 03, 05
With: FEATURE 40184

Key	PartNumber	Qty	Description	Comment
24	1306927	4	WASHER,FLAT, .531 X 2.250 X 11 GA,YEL	
25	1894773	2	ISOLATOR,BARRY	
26	0038789		BRACKET ASSY,RADIATOR BRACE,FRONT, C4RE	
27	1894906		BRACE ASSY,RADIATOR AND CAC,RE	
28	2008852	2	PIN,CLEVIS,1/2 DIA X 1 1/2, YEL ZN DICH	
29	0038787		TUBE,RADIATOR,UPPER,CUMMINS ISC, C4RE	
30	1491612	2	HOSE,HUMP,REINF,3.50 ID X 5 FLX 7724-1	
31	0882795	10	LOCKWASHER,SPLIT RING,3/8,MED,YELLOW	
33	1868264		BRACE,MOUNTING,RAD BRACKET TO	
34	1905496		BRACKET ASSY,RADIATOR MOUNTING,RE	
35	1409093	2	ELBOW,BARBED INSERT,3/8 HOSE X 1/4 MPT	
37	1896521	2	WASHER,FLAT, .531 X 2.00 X 11 GA,YEL ZN	
38	0803213	13	CAPSCREW,HEX HD,3/8-16X1 1/4,GR8,YEL	
39	1044650	4	CAPSCREW,HEX,FLANGE 1/4-20X7/8	
40	1339639	4	NUT,HEX HD,1/4-20,PRVLG TORQUE,FLG,YEL	
41	1998939		TUBE,CHARGE AIR,CLR TO INTK,ISC 2 OF 2,RE	
42	0000945		BRACE ASSY,RADIATOR & CAC,REAR,RE	
43	0006000		BRACKET,SUPPORT,TUBE,CAC TO INTK,UPR,ISC	
44	0086253		BRACKET,SUPPORT,CHARGE AIR TUBE LOWER,	
45	0805200	2	SADDLE,3 1/2IN,S-350 STD,EXHAUST	
46	0805192	2	U-BOLT,3 1/2,UB350 STD,EXHAUST	
47	1854173	2	BOLT,HEX HD,M10 X 15,ALLISON 23049056	
49	0070576		TANK ASSY,DEAERATION,ISC05, C4RE	

Models: C4RE
ENGINE
CUMMINS ISC 03, 05
With: FEATURE 40184

Key	PartNumber	Qty	Description	Comment
50	1354877		PLUG,PIPE,1/2 ALLEN HEAD	
51	1487024		HOSE,HUMP,REINF,3.5 X 3 ID,FLX 7726	
52	1258581		CLAMP,SPRING LOADED,3.25 ID,3.06-3.38	
53	0035031		BAFFLE,CAC TO RADIATOR,BOTTOM, RE	
54	1149376		SEAL,RUBBER,ENGINE COVER FRT UNIGRIP SD	
55	0654970	AR	INSERT,PLASTIC TUBING,1/4, 1484 X 4	
56	0654962	68	TUBING,PLASTIC,1/4 OD,BLACK,SAE J844 TYPE	
57	0878603		VALVE,COMPRESSION LINE SHUT OFF	
58	2005700	64	LOOM,ASPHALTUM,WIRE,1/4IN	
59	0049385		BRACKET,MTG,HEATER HOSES,ENG CMPT, C4RE	
60	0938548		HOSE,RUBBER,HO5705,5/16 ID X 9/16 OD	
10	1894807		CLAMP,CONSTANT TORQUE,1-3/4 TO 2-5/8 DIA	FEATURE 40184 (ISC) WITH FEATURE 40108-01 (SILICONE HOSES) WITH OR WITHOUT FEATURE 40423-02,-06 (B300R) OR FEATURE 40424-02,-06 (B400R).
10	1361468		HOSE,SILICON,.37 ID PUROSIL 80	FEATURE 40184 (ISC) WITH FEATURE 40108-01 (SILICONE HOSES) WITH OR WITHOUT FEATURE 40423-02,-06 (B300R) OR FEATURE 40424-02,-06 (B400R).
10	1875244		ELBOW,SILICONE,90 DEG,2 IN ID	FEATURE 40184 (ISC) WITH FEATURE 40108-01 (SILICONE HOSES) WITH OR WITHOUT FEATURE 40423-02,-06 (B300R) OR FEATURE 40424-02,-06 (B400R).
10	0051531		TUBE ASSY,RAD TO COOLER W/ RET TRANS,	FEATURE 40184 (ISC) WITH FEATURE 40108-01 (SILICONE HOSES) AND WITH FEATURE 40423-02,-06 (B300R) OR FEATURE 40424-02,-06 (B400R).
10	1885193		TUBE,RADIATOR,LOWER,RADIATOR TO	FEATURE 40184 (ISC) WITH FEATURE 40108-01 (SILICONE

Models: C4RE
ENGINE
CUMMINS ISC 03, 05
With: FEATURE 40184

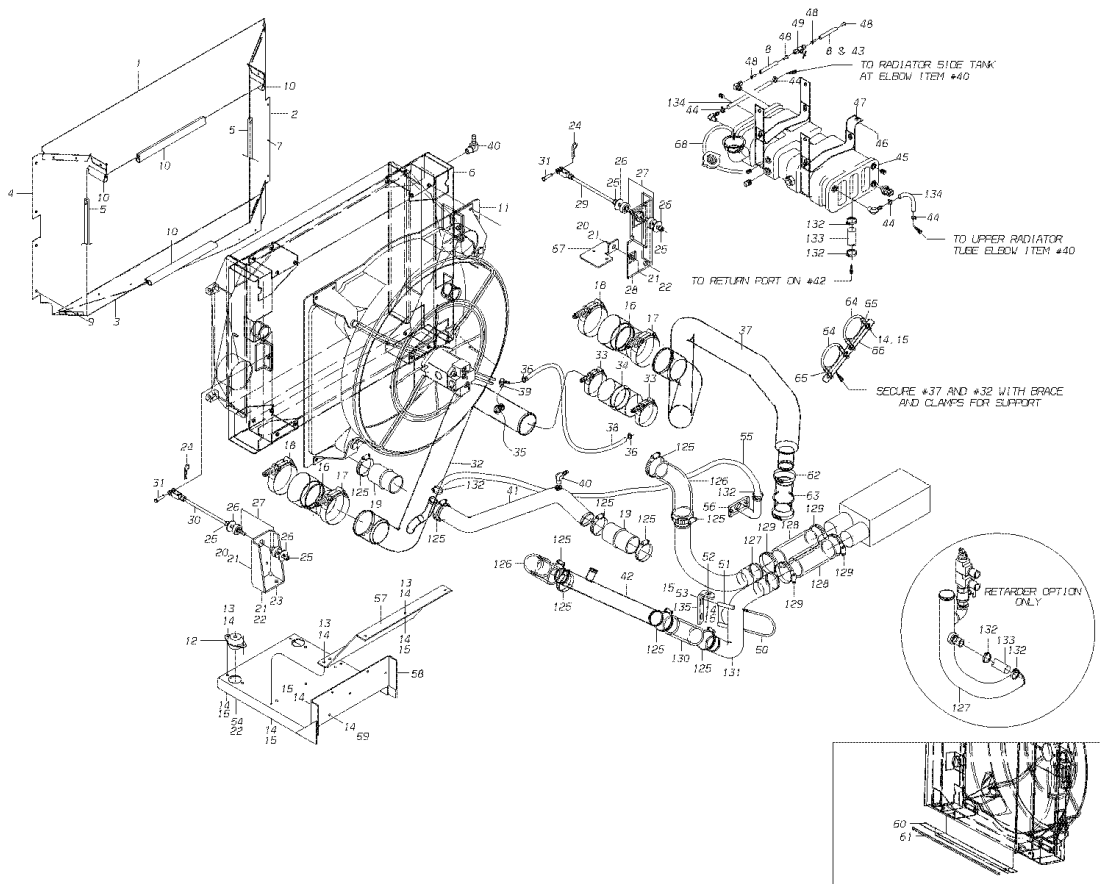
Key	PartNumber	Qty	Description	Comment
				HOSES) AND CONSTANT TORQUE CLAMPS.
10	1875269		HOSE,SILICONE,2.25 ID X 6.00 LONG	FEATURE 40184 (ISC) WITH FEATURE 40108-01 (SILICONE HOSES) WITH OR WITHOUT FEATURE 40423-02,-06 (B300R) OR FEATURE 40424-02,-06 (B400R).
10	1905488		CLAMP,CONSTANT TORQUE,2 1/4 TO 3 1/8 DIA	FEATURE 40184 (ISC) WITH FEATURE 40108-01 (SILICONE HOSES) WITH OR WITHOUT FEATURE 40423-02,-06 (B300R) OR FEATURE 40424-02,-06 (B400R).
10	1998962		TUBE,RAD,LWR,ENG TO CLR W/RETDR CUMN	FEATURE 40184 (ISC) WITH FEATURE 40108-01 (SILICONE HOSES) AND WITH FEATURE 40423-02,-06 (B300R) OR FEATURE 40424-02,-06 (B400R).
10	1935634		TUBE,RADIATOR,LOWER,ENG TO CLR,ISC,HDRE	FEATURE 40184 (ISC) WITH FEATURE 40108-01 (SILICONE HOSES) AND CONSTANT TORQUE CLAMPS.
10	1363274		CLAMP,HOSE,SILICON, .62.00	FEATURE 40184 (ISC) WITH FEATURE 40108-01 (SILICONE HOSES) WITH OR WITHOUT FEATURE 40423-02,-06 (B300R) OR FEATURE 40424-02,-06 (B400R).
10	1894799		CLAMP,CONSTANT TORQUE,13/16 TO 1-1/2 DIA	FEATURE 40184 (ISC) WITH FEATURE 40108-01 (SILICONE HOSES) WITH OR WITHOUT FEATURE 40423-02,-06 (B300R) OR FEATURE 40424-02,-06 (B400R).
10	1143866		HOSE,HEATER,1 INCH ID,SILICONE	FEATURE 40184 (ISC) WITH FEATURE 40108-01 (SILICONE HOSES) WITH OR WITHOUT FEATURE 40423-02,-06 (B300R) OR FEATURE 40424-02,-06 (B400R).
11	1534981		ELBOW,SILICONE,90 DEG 2.25 X 4.00 X 6.00	FEATURE 40184 (ISC) WITH FEATURE 40108-01 (SILICONE HOSES) WITH OR WITHOUT FEATURE 40423-02,-06 (B300R) OR FEATURE 40424-02,-06

Models: C4RE
ENGINE
CUMMINS ISC 03, 05
With: FEATURE 40184

Key	PartNumber	Qty	Description	Comment
				(B400R).
11	0315200		ADAPTER,HTR,3/4 PIPE X 1 HOSE	FEATURE 40184 (ISC) WITH FEATURE 40108-01 (SILICONE HOSES) AND WITH FEATURE 40423-02,-06 (B300R) OR FEATURE 40424-02,-06 (B400R).
11	0760249		ELBOW,STREET,3/4,90 DEG,GALV	FEATURE 40184 (ISC) WITH FEATURE 40108-01 (SILICONE HOSES) AND WITH FEATURE 40423-02,-06 (B300R) OR FEATURE 40424-02,-06 (B400R).

Models: C4RE
ENGINE
JOHN DEERE 8.1
With: FEATURE 40181

Key	PartNumber	Qty	Description	Comment
-----	------------	-----	-------------	---------



Models: C4RE
ENGINE
JOHN DEERE 8.1
With: FEATURE 40181

Key	PartNumber	Qty	Description	Comment
1	0042517		BAFFLE,RADIATOR,UPPER, C4RE	
2	0042518		BAFFLE,RADIATOR,FRONT, C4RE	
3	0042516		BAFFLE,RADIATOR,LOWER, C4RE	
4	0042519		BAFFLE,RADIATOR,REAR, C4RE	
5	1149376	58	SEAL,RUBBER,ENGINE COVER FRT UNIGRIP SD	
6	1843184		RADIATOR AND CAC ASSY,VALEO 1040027	
7	1143676	21	SCREW,10-16 X 3/4, AB,PH1,PAN HD,BLK ZN,	
8	0654962	68	TUBING,PLASTIC,1/4 OD,BLACK,SAE J844 TYPE	
9	2000198	4	SCREW,5/16-18 X 1,D,HEX HD,YEL ZN DICH	
10	1068501	53	SEAL,RUBBER,A/C HOOD TRIM	
11	1997238		SHROUD & HYD MTR MNT ASSY,CUMN ISB,JD	
12	1305861	2	ISOLATOR,MOTOR MOUNT,BARRY	
13	0882803	14	CAPSCREW,HEX HD,3/8-16,X,1,,GR5,YELDICH	
14	1107085	28	WASHER,FLAT,13/32 X 13/16 X 3/32,HDN,BLK	
15	0826297	26	NUT,HEX HD,3/8-16 LOCK,YEL ZN DICH	
16	1868108	2	HOSE,HUMP,REINF,REDUCING,4.00 X 3.50 ID	
17	1450246	2	CLAMP,SPRING LOADED,3.75 ID,3.56-3.88	
18	1258599	2	CLAMP,SPRING LOADED,4.25 ID,4.06-4.38	
19	1787985	2	HOSE,HUMP,RAD,2.00 X 5.00,SILICONE,	
20	0803239	4	CAPSCREW,HEX HD,1/2-13 X1 1/2,GR8	
21	0850776	8	WASHER,FLAT,17/32 X 1 1/16 X 3/32,	
22	0850800	6	NUT,HEX HD,1/2-13,LOCKING,GR 8,CAD WAX	
23	1894849		BRACKET ASSY,MOUNTING,RAD BRACE,REAR,	

Models: C4RE
ENGINE
JOHN DEERE 8.1
With: FEATURE 40181

Key	PartNumber	Qty	Description	Comment
24	2008860	2	PIN,COTTER,3/32 X 1,YEL ZN DICH	
25	0959460	4	NUT,HEX HD,1/2-20,GR 8,YEL ZN DICH	
26	1306927	6	WASHER,FLAT,.531 X 2.250 X 11 GA,YEL	
27	1894773	2	ISOLATOR,BARRY	
28	0038789		BRACKET ASSY,RADIATOR BRACE,FRONT, C4RE	
29	1894906		BRACE ASSY,RADIATOR AND CAC,RE	
30	0000945		BRACE ASSY,RADIATOR & CAC,REAR,RE	
31	2008852	2	PIN,CLEVIS,1/2 DIA X 1 1/2, YEL ZN DICH	
32	1994623		TUBE ASSY,CHARGE AIR COOLER,RE	
33	1258581	2	CLAMP,SPRING LOADED,3.25 ID,3.06-3.38	
34	1487016		HOSE,HUMP,REINF,3 ID X 5 LG,FLX 7725	
35	1354877		PLUG,PIPE,1/2 ALLEN HEAD	
36	1601921	2	CLAMP,HOSE,.524/.646,DOUBLE GRIP NYLON	
37	0041897		TUBE,TURBO COMPRESSOR OUTLET,JD 8.1,	
38	1886027		HOSE,.250 ID X 16 IN,2 PLY NOMEX	
39	1409085		ELBOW,BARBED INSERT,1/4 HOSE X 1/4 MPT	
40	1409093	2	ELBOW,BARBED INSERT,3/8 HOSE X 1/4 MPT	
41	0041891		TUBE,RADIATOR,UPPER,JD 8.1, C4RE	
42	1801950		TUBE,RAD,LWR ENGINE TO HUMP HOSE,JD 8.1	
43	2005700	64	LOOM,ASPHALTUM,WIRE,1/4IN	
44	2027571	4	CLAMP,HOSE,6203	
45	0040901		TANK ASSY,DEAERATION,JD 8.1,3126, C4RE	
46	1044650	4	CAPSCREW,HEX,FLANGE 1/4-20X7/8	

Models: C4RE
ENGINE
JOHN DEERE 8.1
With: FEATURE 40181

Key	PartNumber	Qty	Description	Comment
47	1339639	4	NUT,HEX HD,1/4-20,PRVLG TORQUE,FLG,YEL	
48	0654970	4	INSERT,PLASTIC TUBING,1/4, 1484 X 4	
49	0878603		VALVE,COMPRESSION LINE SHUT OFF	
50	0805218		U-BOLT,2 IN.,UB200	
51	0805226		SADDLE,2 IN.,S-200	
52	2028363		BOLT,HEX HD,3/8-16,1-1/4,GR 5,YEL ZN DICH	
53	0882795	2	LOCKWASHER,SPLIT RING,3/8,MED,YELLOW	
54	1896521	2	WASHER,FLAT,.531 X 2.00 X 11 GA,YEL ZN	
55	1008119	6	HOSE,SUCTION,1 ID 19B	
56	0000085		ADAPTER ASSY,AIR COMPRESSOR INLET,J/D	
57	1868264		BRACE,MOUNTING,RAD BRACKET TO	
58	1905496		BRACKET ASSY,RADIATOR MOUNTING,RE	
59	0803213	5	CAPSCREW,HEX HD,3/8-16X1 1/4,GR8,YEL	
60	0035031		BAFFLE,CAC TO RADIATOR,BOTTOM, RE	
61	1149376	2.5	SEAL,RUBBER,ENGINE COVER FRT UNIGRIP SD	
62	1894807	2	CLAMP,CONSTANT TORQUE,1-3/4 TO 2-5/8 DIA	
63	1450212		HOSE,HUMP,TURBOCHARGER,2.00 ID	
64	1060730	2	U-BOLT,3IN	
65	1060847	2	SADDLE,3IN	
66	0042578		BRACE,CAC PIPES,JD 8.1, C4RE	
67	0049385		BRACKET,MTG,HEATER HOSES,ENG CMPT, C4RE	
68	0938548		HOSE,RUBBER,HO5705,5/16 ID X 9/16 OD	
12	1894807	10	CLAMP,CONSTANT TORQUE,1-3/4 TO 2-5/8 DIA	

Models: C4RE
ENGINE
JOHN DEERE 8.1
With: FEATURE 40181

Key	PartNumber	Qty	Description	Comment
12	1875244	2	ELBOW,SILICONE,90 DEG,2 IN ID	
12	1885193		TUBE,RADIATOR,LOWER,RADIATOR TO	WITHOUT RETARDER
12	1902972		TUBE ASSY,RAD,LWR,RAD TO CLR W/RETDR	FEATURE 40423-04,-06
12	1875269	2	HOSE,SILICONE,2.25 ID X 6.00 LONG	
12	1905488	4	CLAMP,CONSTANT TORQUE,2 1/4 TO 3 1/8 DIA	
13	1876267		HOSE,SILICONE,200 ID X 6.00 LONG	
13	1868132		TUBE,RADIATOR,LOWER,COOLER TO ENG,RR,	WITHOUT RETARDER
13	1875087		TUBE,RAD,LWR,CLR TO ENG,RR,W/RETDR,JD	FEATURE 40423-04,-06
13	1894799	4	CLAMP,CONSTANT TORQUE,13/16 TO 1-1/2 DIA	
13	1143866	26	HOSE,HEATER,1 INCH ID,SILICONE	
13	1361468	24	HOSE,SILICON,.37 ID PUROSIL 80	
13	1905595		ANGLE,MOUNTING,LOWER RADIATOR TUBE, RE	WITHOUT RETARDER TRANSMISSION
13	1905603		ANGLE,MOUNTING,LOWER RAD TUBE WITH	FEATURE 40423-04,-06