

Chassis**050 Driveline**

1610 SERIES

CAT, CUMMINS, ISB, ISC, JD 6.8, MD3060, MD3060R, B300, B300R

With: FEATURE 40184-04, 40187-03, 04, 40177-04, 06, 40182-01

1

1710 SERIES

CAT, CUMMINS ISC, JD 8.1, MD3060, MD3060R, MD3066, MD3066R, B400, B400R

With: FEATURE 40184-04, 40187-03, 04, 40177-04, 06, 40182-01

2

CAT, CUMMINS, ISC, JD 8.1, B400, B400R

With: FEATURE 40184-07,-09, 40187-13, 40181-01

3

SPL 70 OR SPL 140

2500PTS, 3000PTS TRANSMISSION

With: FEATURE 40432

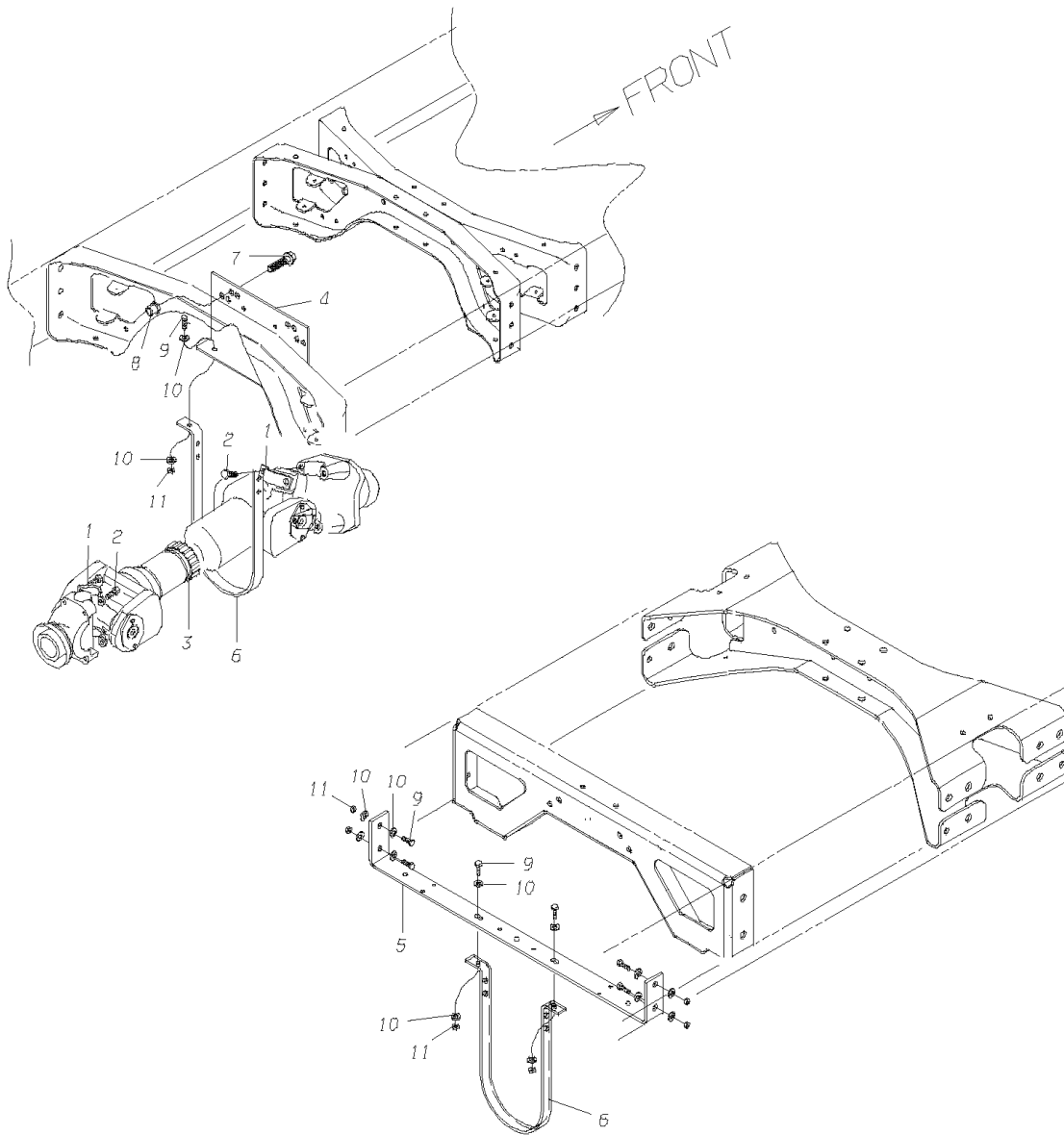
4

Models: A3RE, C4RE, CSRE, QBRE
1610 SERIES
With: CAT, CUMMINS, ISB, ISC, JD 6.8, MD3060, MD3060R, B300, B300R
FEATURE 40184-04, 40187-03, 04, 40177-04, 06, 40182-01

Key	PartNumber	Qty	Description	Comment
1	1567478	4	STRAP,BEARING RETAINER,1610,1/2 RND,END	
2	1567486	8	BOLT,3/8-24 X 3/4,SPICER 6-73-412	
3			SHAFT ASSEMBLY, 1610, SLIP TYPE	
3	1753250	1	SHAFT ASSY,1610,SLIP,L=22.75,PAINTED	WITH 19-21K AXLE
3	1567437	1	SHAFT ASSY,1610,SLIP,L=21.00,PAINTED	WITH 23K AXLE
4			ANGLE, MOUNTING DRIVELINE GUARD	
4	1529320	1	ANGLE,MTG,DRIVE LINE GUARD, TCRE	
4	1725589	1	ANGLE,MOUNTING,DRIVE LINE GUARD,	
5	1760628	1	BRACKET,SUPT,DRV SHF GUARD,RDWL,	RIDEWELL/HENDRICKSON
6			STRAP, PROP SHAFT GUARD	
6	1625052	1	STRAP,PROP SHAFT GUARD,RIDEWELL,AAFC	
6	1536069	1	STRAP,PROP SHAFT GUARD	
7	1636943	2	PIN,FLG HEAD,HUCKSPIN,.50X2.22,HSP8	SPRING SUSPENSION
8	1636968	2	COLLAR,HUCKSPIN,.50,HSCH-R16	SPRING SUSPENSION
9	0803171	2	CAPSCREW,HEXHD,3/8-16NCX1-1/2,GR8,	
10	1107085	4	WASHER,FLAT,13/32 X 13/16 X 3/32,HDN,BLK	
11	0826297	2	NUT,HEX HD,3/8-16 LOCK,YEL ZN DICH	

Models: A3RE, C4RE, CSRE, QBRE
1710 SERIES
With: CAT, CUMMINS ISC, JD 8.1, MD3060, MD3060R, MD3066, MD3066R, B400, B400R
FEATURE 40184-04, 40187-03, 04, 40177-04, 06, 40182-01

Key	PartNumber	Qty	Description	Comment
-----	------------	-----	-------------	---------

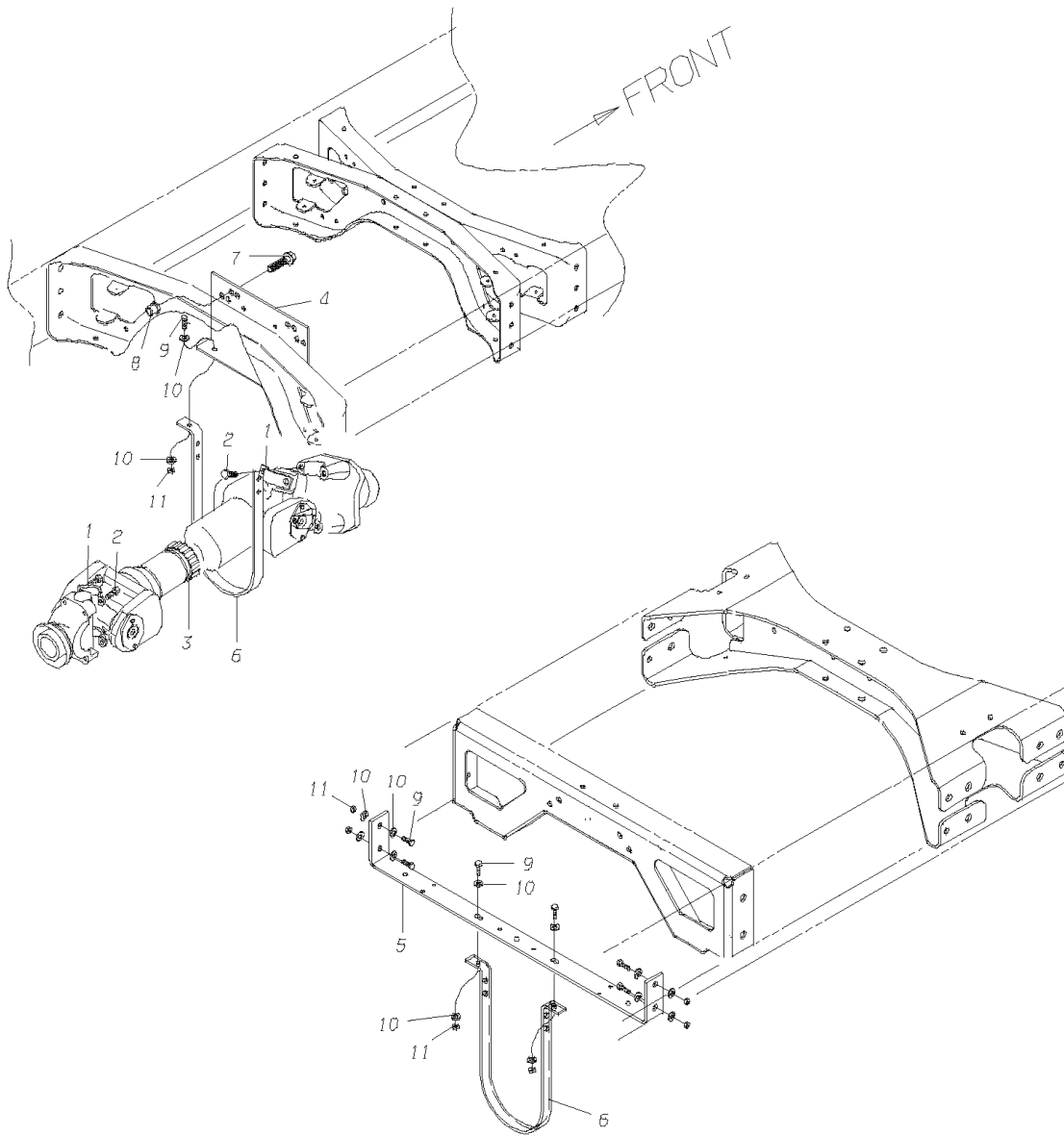


Models: A3RE, C4RE, CSRE, QBRE
1710 SERIES
With: CAT, CUMMINS ISC, JD 8.1, MD3060, MD3060R, MD3066, MD3066R, B400, B400R
FEATURE 40184-04, 40187-03, 04, 40177-04, 06, 40182-01

Key	PartNumber	Qty	Description	Comment
1	1631506	2	KIT,STRAP AND BOLT,6.5-70-18X	
2			INCLUDED IN KIT ABOVE	
3	1797752	1	SHAFT ASSY,1710,SLIP,HALF RND,COL-19.00	<i>ALL AXLES EXCEPT JD 8.1" CSRE WITH 23K</i>
3	0038988	1	SHAFT ASSY,1710,SLIP,SHORT CPLD,COL-16.97	<i>WITH 23K AXLE ONLY)</i>
4	1529320	1	ANGLE,MTG,DRIVE LINE GUARD, TCRE	
4	1725589	1	ANGLE,MOUNTING,DRIVE LINE GUARD,	
5	1760628	1	BRACKET,SUPT,DRV SHF GUARD,RDWL,	<i>RIDWELL/HENDRICKSON</i>
6	1625052	1	STRAP,PROP SHAFT GUARD,RIDEWELL,AAFC	
6	1536069	1	STRAP,PROP SHAFT GUARD	
7	1636943	2	PIN,FLG HEAD,HUCKSPIN,.50X2.22,HSP8	<i>SPRING SUSPENSION</i>
8	1636968	2	COLLAR,HUCKSPIN,.50,HSCH-R16	<i>COLLAR, HUCKSPIN, .50 HSCHR16. SPRING SUSPENSION</i>
9	0803171	2	CAPSCREW,HEXHD,3/8-16NCX1-1/2,GR8,	
10	1107085	4	WASHER,FLAT,13/32 X 13/16 X 3/32,HDN,BLK	
11	0826297	2	NUT,HEX HD,3/8-16 LOCK,YEL ZN DICH	

Models: A3RE, C4RE, CSRE, QBRE
1710 SERIES
CAT, CUMMINS, ISC, JD 8.1, B400, B400R
With: FEATURE 40184-07,-09, 40187-13, 40181-01

Key	PartNumber	Qty	Description	Comment
-----	------------	-----	-------------	---------

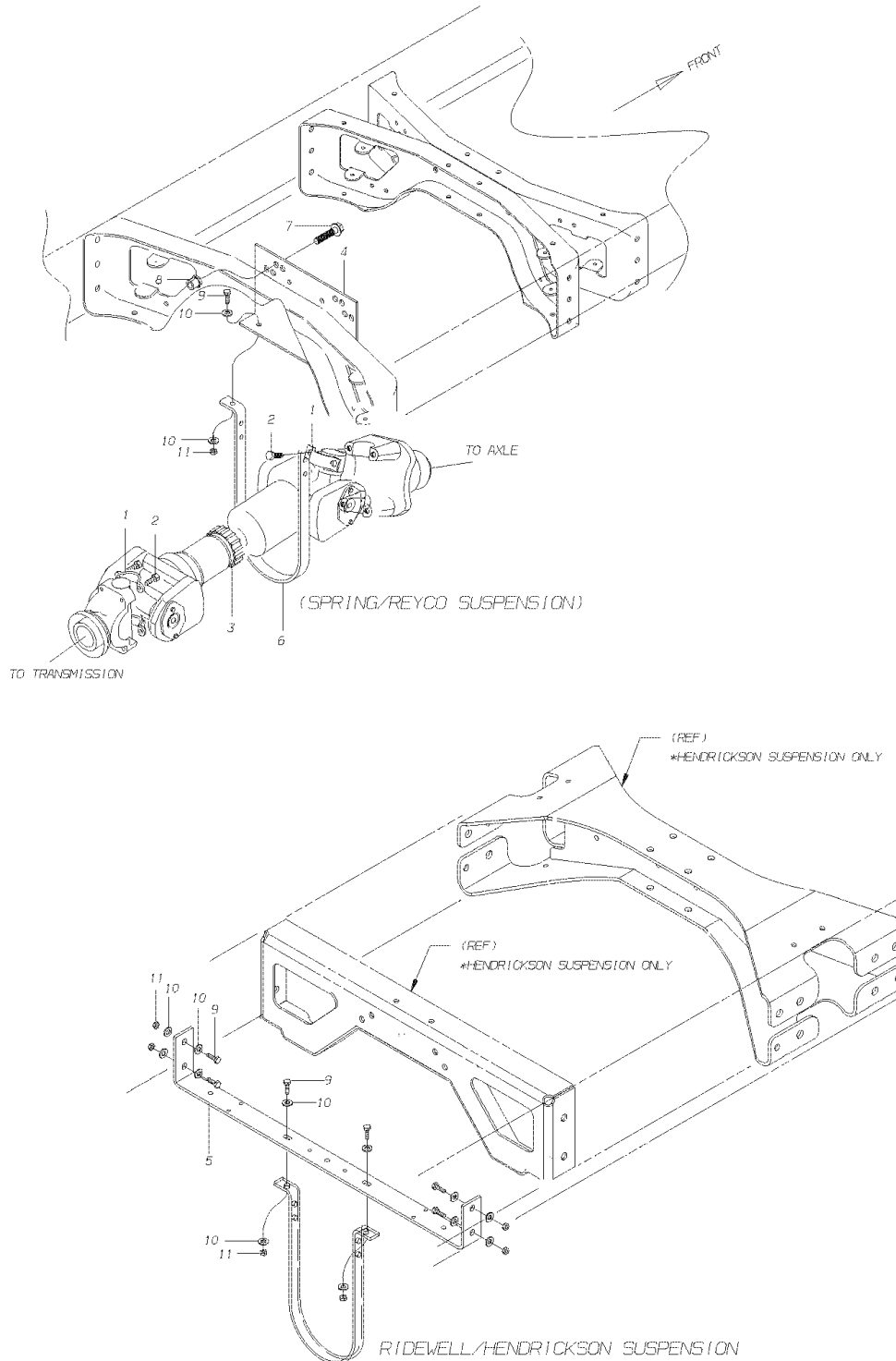


Models: A3RE, C4RE, CSRE, QBRE
1710 SERIES
CAT, CUMMINS, ISC, JD 8.1, B400, B400R
With: FEATURE 40184-07,-09, 40187-13, 40181-01

Key	PartNumber	Qty	Description	Comment
1	1631506		KIT,STRAP AND BOLT,6.5-70-18X	
2	1631506		KIT,STRAP AND BOLT,6.5-70-18X	
3	1797760		SHAFT ASSY,1710,SLIP,HALF RND,COL-19.00	ALL AXLES EXCEPT CSRE WITH JD 8.1 WITH 23K AXLE
3	0038988		SHAFT ASSY,1710,SLIP,SHORT CPLD,COL-16.97	WITH 23K AXLE ONLY)
4	1529320		ANGLE,MTG,DRIVE LINE GUARD, TCRE	
4	1725589		ANGLE,MOUNTING,DRIVE LINE GUARD,	
5	1760628		BRACKET,SUPT,DRV SHF GUARD,RDWL,	BRACKET, SUPT DRIVE SHAFT GUARD. RIDEWELL/HENDRICKSON
6	1625052		STRAP,PROP SHAFT GUARD,RIDEWELL,AAFC	
6	1536069		STRAP,PROP SHAFT GUARD	
7	1636943		PIN,FLG HEAD,HUCKSPIN,.50X2.22,HSP8	SPRING SUSPENSION
8	1636968		COLLAR,HUCKSPIN,.50,HSCH-R16	SPRING SUSPENSION
9	0803171		CAPSCREW,HEXHD,3/8-16NCX1-1/2,GR8,	
10	1107085		WASHER,FLAT,13/32 X 13/16 X 3/32,HDN,BLK	
11	0826297		NUT,HEX HD,3/8-16 LOCK,YEL ZN DICH	

Models: A3RE, C4RE
SPL 70 OR SPL 140
2500PTS, 3000PTS TRANSMISSION
With: FEATURE 40432

Key	PartNumber	Qty	Description	Comment
-----	------------	-----	-------------	---------



Models: A3RE, C4RE
SPL 70 OR SPL 140
2500PTS, 3000PTS TRANSMISSION
With: FEATURE 40432

Key	PartNumber	Qty	Description	Comment
1	1326610		STRAP,YOKE,SPICER 3-70-99	FOR SPL 70 DRIVELINE WITH FEATURE, 40432 0,-09 2500PTS TRANSMISSION
2	1567486		BOLT,3/8-24 X 3/4,SPICER 6-73-412	FOR SPL 70 DRIVELINE WITH FEATURE, 40432 0,-09 2500PTS TRANSMISSION
3	0076753		SHAFT ASSY,SPL70,SLIP W/O CTR BRG,23.32	FOR SPL 70 DRIVELINE WITH FEATURE, 40432 0,-09 2500PTS TRANSMISSION
4	1529320		ANGLE,MTG,DRIVE LINE GUARD, TCRE	FOR SPL 70 DRIVELINE WITH FEATURE, 40432 0,-09 2500PTS TRANSMISSION
4	1725589		ANGLE,MOUNTING,DRIVE LINE GUARD,	FOR SPL 70 DRIVELINE WITH FEATURE, 40432 0,-09 2500PTS TRANSMISSION
5	1760628		BRACKET,SUPT,DRV SHF GUARD,RDWL,	RIDEWELL/ HENDRICKSON FOR SPL 70 DRIVELINE WITH FEATURE, 40432 0,-09 2500PTS TRANSMISSION
6	1625052		STRAP,PROP SHAFT GUARD,RIDEWELL,AAFC	RIDEWELL/ HENDRICKSON FOR SPL 70 DRIVELINE WITH FEATURE, 40432 0,-09 2500PTS TRANSMISSION
6	1536069		STRAP,PROP SHAFT GUARD	FOR SPL 70 DRIVELINE WITH FEATURE, 40432 0,-09 2500PTS TRANSMISSION
7	1636943		PIN,FLG HEAD,HUCKSPIN,.50X2.22,HSP8	FOR SPL 70 DRIVELINE WITH FEATURE, 40432 0,-09 2500PTS TRANSMISSION
8	1636968		COLLAR,HUCKSPIN,.50,HSCH-R16	
9	0803171		CAPSCREW,HEXHD,3/8-16NCX1-1/2,GR8,	FOR SPL 70 DRIVELINE WITH FEATURE, 40432 0,-09 2500PTS TRANSMISSION
10	1107085		WASHER,FLAT,13/32 X 13/16 X 3/32,HDN,BLK	FOR SPL 70 DRIVELINE WITH FEATURE, 40432 0,-09 2500PTS TRANSMISSION
11	0826297		NUT,HEX HD,3/8-16 LOCK,YEL ZN DICH	FOR SPL 70 DRIVELINE WITH FEATURE, 40432 0,-09 2500PTS TRANSMISSION
1	0077110		KIT,STRAP,AND BOLT,140-70-18X	FOR SPL 140 DRIVELINE WITH FEATURE 40432- 04-05,-06,-07,

Models: A3RE, C4RE
SPL 70 OR SPL 140
2500PTS, 3000PTS TRANSMISSION
With: FEATURE 40432

Key	PartNumber	Qty	Description	Comment
				-10,-11,-12 OR -13 WITH FEATURE 40423-03,-04, 05, 06 OR 5 SPEED OR 6 SPEED OR B300/B400 TRANSMISSION, RETARDER
2	0077110		KIT,STRAP,AND BOLT,140-70-18X	FOR SPL 140 DRIVELINE WITH FEATURE 40432- 04-05,-06,-07,-10,-11,-12 OR -13 WITH FEATURE 40423-03,-04, 05, 06 OR 5 SPEED OR 6 SPEED OR B300/B400 TRANSMISSION, RETARDER
3	0076756		SHAFT ASSY,SPL140,SLIP,21.5,PUR	FOR SPL 140 DRIVELINE WITH FEATURE 40432- 04-05,-06,-07,-10,-11,-12 OR -13 WITH FEATURE 40423-03,-04, 05, 06 OR 5 SPEED OR 6 SPEED OR B300/B400 TRANSMISSION, RETARDER
4	1529320		ANGLE,MTG,DRIVE LINE GUARD, TCRE	FOR SPL 140 DRIVELINE WITH FEATURE 40432- 04-05,-06,-07,-10,-11,-12 OR -13 WITH FEATURE 40423-03,-04, 05, 06 OR 5 SPEED OR 6 SPEED OR B300/B400 TRANSMISSION, RETARDER
4	1725589		ANGLE,MOUNTING,DRIVE LINE GUARD,	FOR SPL 140 DRIVELINE WITH FEATURE 40432- 04-05,-06,-07,-10,-11,-12 OR -13 WITH FEATURE 40423-03,-04, 05, 06 OR 5 SPEED OR 6 SPEED OR B300/B400 TRANSMISSION, RETARDER
5	1760628		BRACKET,SUPT,DRV SHF GUARD,RDWL,	RIDEWELL/ HENDRICKSON FOR SPL 140 DRIVELINE WITH FEATURE 40432- 04-05,-06,-07,-10,-11,-12 OR -13 WITH FEATURE 40423-03,-04, 05, 06 OR 5 SPEED OR 6 SPEED OR B300/B400 TRANSMISSION, RETARDER
6	1625052		STRAP,PROP SHAFT GUARD,RIDEWELL,AAFC	FOR SPL 140 DRIVELINE WITH FEATURE 40432- 04-05,-06,-07,-10,-11,-12 OR -13 WITH FEATURE 40423-03,-04, 05, 06 OR 5 SPEED OR 6 SPEED OR B300/B400 TRANSMISSION, RETARDER

Models: A3RE, C4RE
SPL 70 OR SPL 140
2500PTS, 3000PTS TRANSMISSION
With: FEATURE 40432

Key	PartNumber	Qty	Description	Comment
6	1536069		STRAP,PROP SHAFT GUARD	FOR SPL 140 DRIVELINE WITH FEATURE 40432- 04-05,-06,-07,-10,-11,-12 OR -13 WITH FEATURE 40423-03,-04, 05, 06 OR 5 SPEED OR 6 SPEED OR B300/B400 TRANSMISSION, RETARDER
7	1636943		PIN,FLG HEAD,HUCKSPIN,.50X2.22,HSP8	FOR SPL 140 DRIVELINE WITH FEATURE 40432- 04-05,-06,-07,-10,-11,-12 OR -13 WITH FEATURE 40423-03,-04, 05, 06 OR 5 SPEED OR 6 SPEED OR B300/B400 TRANSMISSION, RETARDER
8	1636968		COLLAR,HUCKSPIN,.50,HSCH-R16	FOR SPL 140 DRIVELINE WITH FEATURE 40432- 04-05,-06,-07,-10,-11,-12 OR -13 WITH FEATURE 40423-03,-04, 05, 06 OR 5 SPEED OR 6 SPEED OR B300/B400 TRANSMISSION, RETARDER
9	0803171		CAPSCREW,HEXHD,3/8-16NCX1-1/2,GR8,	FOR SPL 140 DRIVELINE WITH FEATURE 40432- 04-05,-06,-07,-10,-11,-12 OR -13 WITH FEATURE 40423-03,-04, 05, 06 OR 5 SPEED OR 6 SPEED OR B300/B400 TRANSMISSION, RETARDER
10	1107085		WASHER,FLAT,13/32 X 13/16 X 3/32,HDN,BLK	FOR SPL 140 DRIVELINE WITH FEATURE 40432- 04-05,-06,-07,-10,-11,-12 OR -13 WITH FEATURE 40423-03,-04, 05, 06 OR 5 SPEED OR 6 SPEED OR B300/B400 TRANSMISSION, RETARDER
11	0826297		NUT,HEX HD,3/8-16 LOCK,YEL ZN DICH	FOR SPL 140 DRIVELINE WITH FEATURE 40432- 04-05,-06,-07,-10,-11,-12 OR -13 WITH FEATURE 40423-03,-04, 05, 06 OR 5 SPEED OR 6 SPEED OR B300/B400 TRANSMISSION, RETARDER