

Chassis

080 Electrical

DRIVER'S PANEL

ACCESS HANDLE

1

ELECTRICAL PANEL

CENTER, CHASSIS

To BSN F20053994

2

*From BSN F20053995
To BSN F20054894*

3

*From BSN 20054895
To BSN F20055494*

4

From BSN F20055495

5

FRONT, DOOR LIGHT INSTALLATION

To BSN F20047499

6

From BSN F20047500

7

HARNESSES

8

PANEL ASSEMBLIES

ELECTRICAL, OUTSIDE ACCESS, FRONT BODY

9

MTG, ELECTRICAL COMPONENTS

10

SWITCH, DRIVER SIDE

To BSN F20053994

11

From BSN F20053995

12

PDU, REAR

CAT 3126

INSTALLATION, BOX ASSY

13

MOUNTING, BOX ASSY

14

CUMMINS ISC

REAR PANEL ASSY

With: FEATURE 40184

15

| | |
|---|----|
| CUMMINS ISC (8.3) | |
| BOX ASSY | |
| <i>With: FEATURE 40184</i> | 16 |
| INSTALLATION, BOX ASSY | |
| <i>With: FEATURE 40184</i> | 17 |
| MOUNTING, BOX ASSY | |
| <i>With: FEATURE 40184</i> | 18 |
| CUMMINS ISC 03/05 | |
| PANEL ASSY INSTALLATION | |
| <i>With: FEATURE 40184</i> | 19 |
| PANEL ASSY INTERMEDIATE | |
| <i>With: FEATURE 40184-08, -09</i> | 20 |
| WITH BRAUN LIFT | |
| <i>With: FEATURE 40184-08, -09 WITH 30192-10</i> | 21 |
| WITH OUT LIFT | |
| <i>With: FEATURE 40184-08, -09</i> | 22 |
| WITH RICON LIFT | |
| <i>With: FEATURE 40184-08, -09, WITH 38120-01, 30192-11</i> | 23 |
| JOHN DEERE (8.1) | |
| BOX ASSY | |
| <i>With: FEATURE 40181</i> | 24 |
| INSTALLATION, BOX ASSY | |
| <i>With: FEATURE 40181</i> | 25 |
| MOUNTING, BOX ASSY | |
| <i>With: FEATURE 40181</i> | 26 |
| REAR PANEL ASSY | |
| <i>With: FEATURE 40181</i> | 27 |
| REAR CONTROL BOX | |
| <i>To BSN F20054794</i> | 28 |
| <i>From BSN F20054795</i> | 29 |

SWITCH PANEL

DASH

INSTALLATION

To BSN F20053994 _____ 30

From BSN F20053995 _____ 31

SWITCHES

DIRECTIONAL LIGHT, FOOT CONTROLLED

With: FEATURE 30177-01 & FEATURE 30260-11, -12, or -13 _____ 32

FUEL DOOR

JOHN DEERE 8.1

CNG FUEL SYSTEM

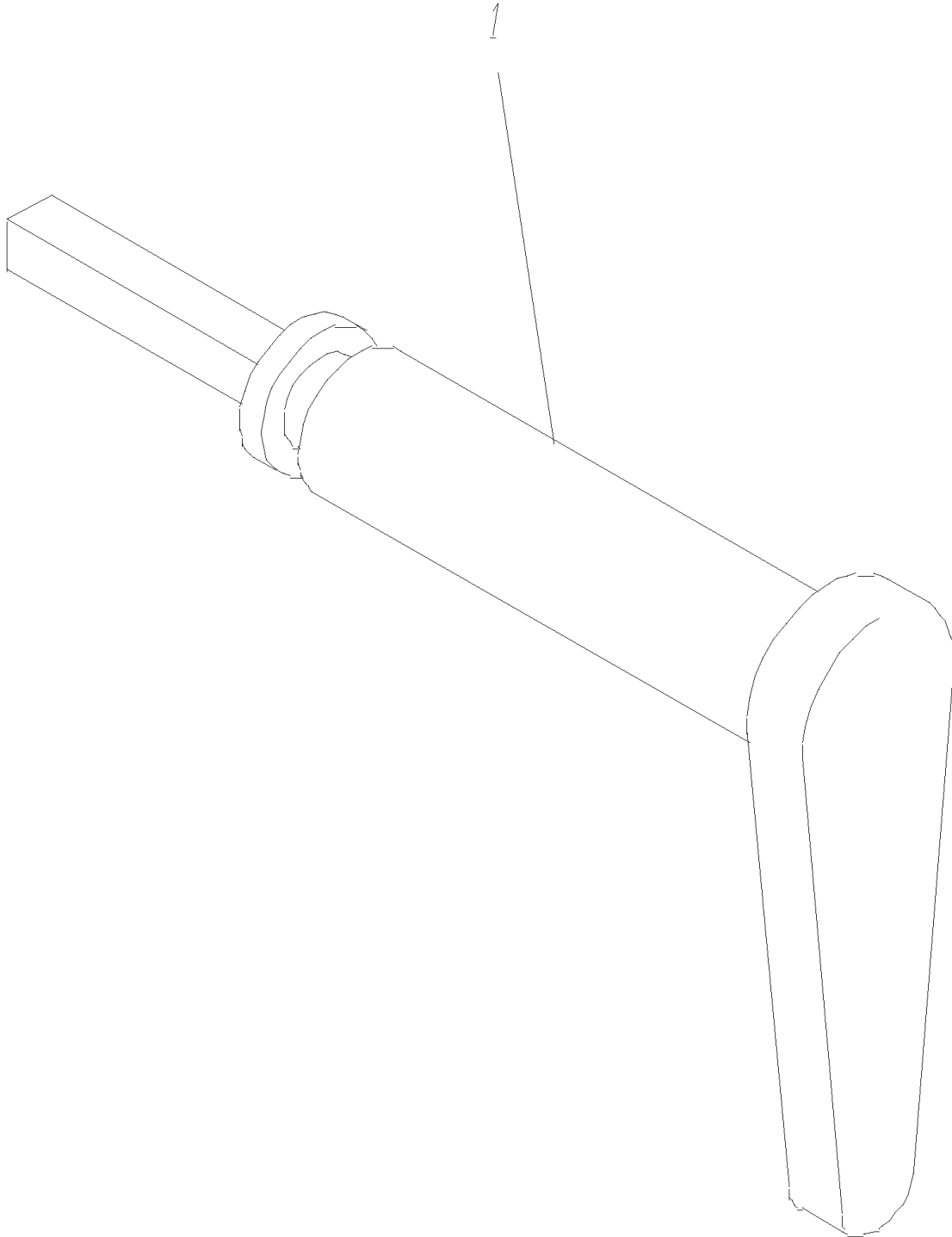
With: FEATURE 40245-01 _____ 33

WINDSHIELD WIPER

_____ 34

Models: C4RE
DRIVER'S PANEL
ACCESS HANDLE

| Key | PartNumber | Qty | Description | Comment |
|-----|------------|-----|-------------|---------|
|-----|------------|-----|-------------|---------|

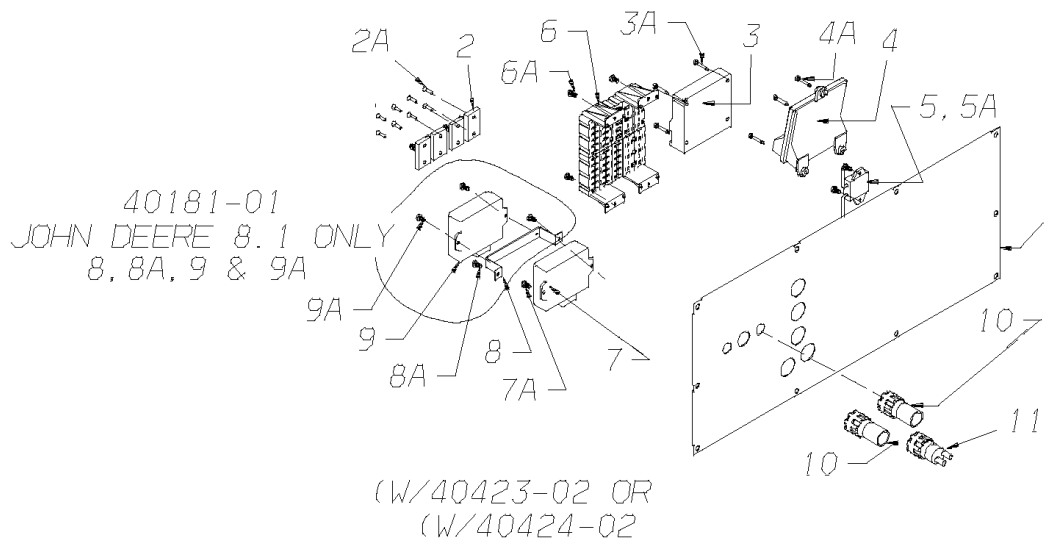
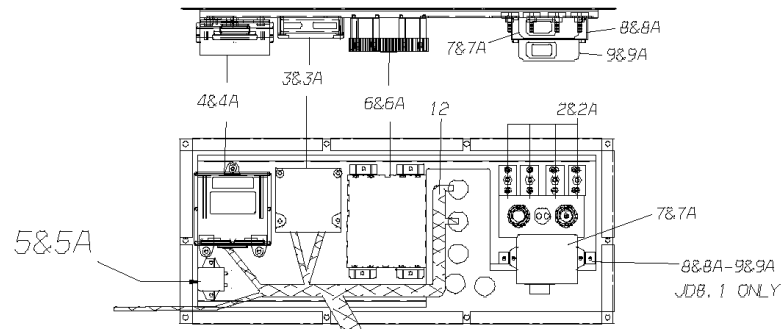


Models: C4RE
DRIVER'S PANEL
ACCESS HANDLE

| Key | PartNumber | Qty | Description | Comment |
|-----|------------|-----|---------------------------------------|---------|
| 1 | 0014422 | | HANDLE ASSY,ENT DOOR,VAPOR CORP, C4RE | |

Models: C4RE
ELECTRICAL PANEL
CENTER, CHASSIS
To BSN F20053994

| Key | PartNumber | Qty | Description | Comment |
|-----|------------|-----|-------------|---------|
|-----|------------|-----|-------------|---------|

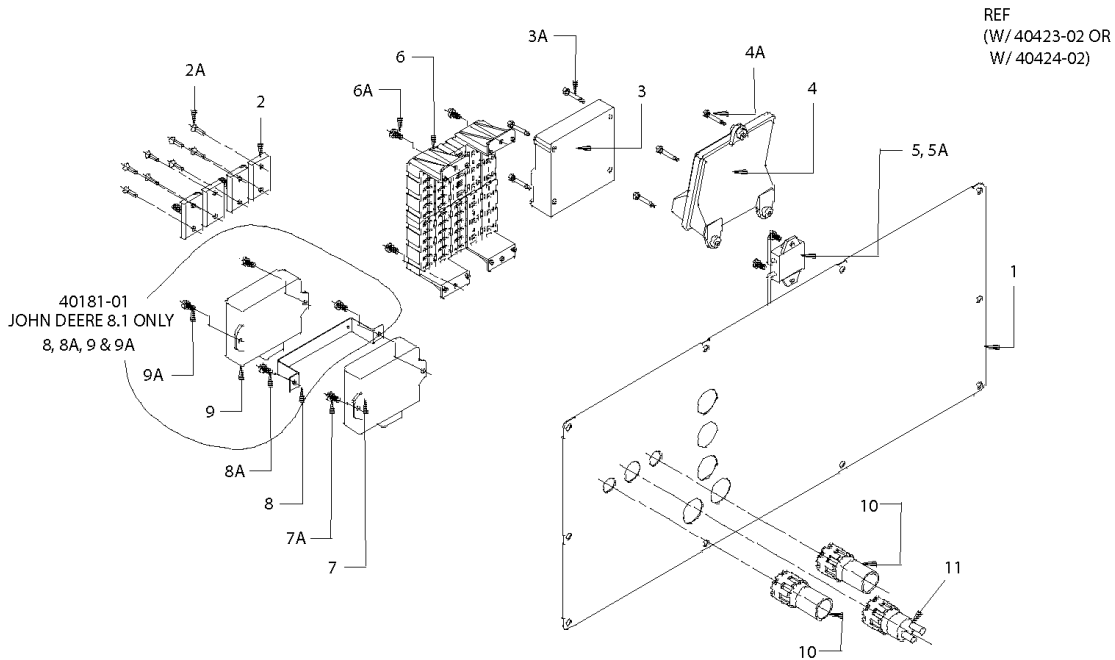
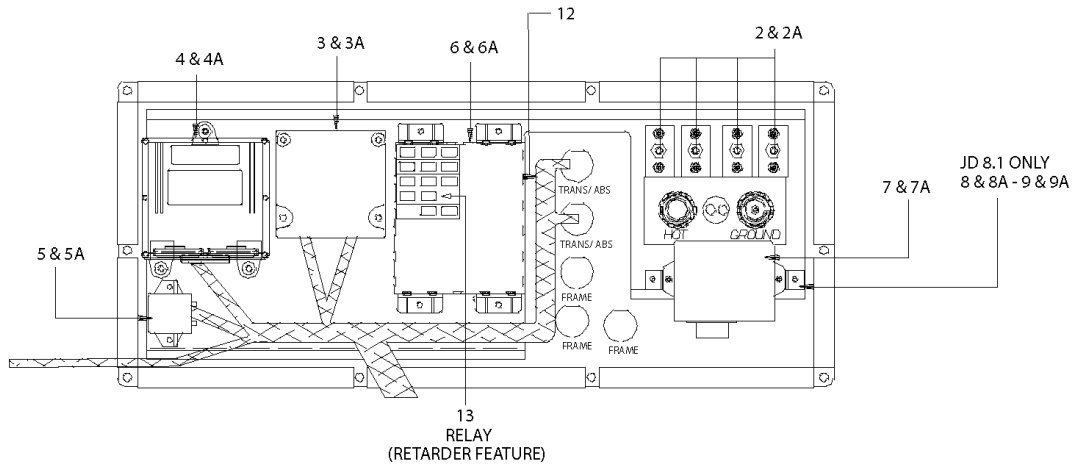


Models: C4RE
**ELECTRICAL PANEL
 CENTER, CHASSIS
 To BSN F20053994**

| Key | PartNumber | Qty | Description | Comment |
|-----|------------|-----|---|--|
| 1 | 0037148 | | PANEL ASSY,CLOSEOUT,ELECTRICAL,CENTER, | |
| 2 | 0553131 | 4 | STUD,TERMINAL,BAT CABLE JUNCTION,NO | |
| 2A | 1731017 | 8 | SCREW,12-24 X 7/8,F,PH1,FLT CNSK HD,BLK | |
| 3 | 0046009 | | ECU,ABS,BENDIX,EC-30 | |
| 3A | 1422948 | 4 | SCREW,1/4-20 X 1-1/4,D,HEX HD,YEL ZN DICH | |
| 4 | | | TRANS, ECU MODULE | |
| 4A | 1422948 | 3 | SCREW,1/4-20 X 1-1/4,D,HEX HD,YEL ZN DICH | |
| 5 | 0046633 | | MODULE,RETARDER CONTROL,INTERFACE | <i>WITH FEATURE 40423-02 or 40424-02</i> |
| 5A | 1812239 | | SCREW,10-32 X 3/4,F,PH1,PAN HD,ZN | <i>WITH FEATURE 40423-02 or 40424-02</i> |
| 6 | 0045522 | | HARNES,WRG,CHASSIS,ELECTRICAL CENTER, | |
| 6A | 1812239 | | SCREW,10-32 X 3/4,F,PH1,PAN HD,ZN | |
| 7 | 0036902 | | ECU,INSTRUMENTATION,1587,PI,PRX1,C4RE, | |
| 7A | 1812239 | 2 | SCREW,10-32 X 3/4,F,PH1,PAN HD,ZN | |
| 8 | 0042268 | | BRACKET,MTG,PRX2, C4RE | <i>WITH FEATURE 40181-01</i> |
| 8A | 0019061 | 2 | SCREW,10-32 X 1/2,F,PH1,PAN HD,BLACK ZINC | <i>WITH FEATURE 40181-01</i> |
| 9 | 0039174 | | ECU,INSTRUMENTATION,1939 TO 1587,PI,JD | <i>WITH FEATURE 40181-01</i> |
| 9A | 1812239 | 2 | SCREW,10-32 X 3/4,F,PH1,PAN HD,ZN | <i>WITH FEATURE 40181-01</i> |
| 10 | 0002212 | 2 | BOOT,HEAT SHRINKABLE,RAYCHEM CES-2 | |
| 11 | 0006105 | | BOOT,HEAT SHRINKABLE,RAYCHEM,CE3-3-D1 | |
| 12 | 0045195 | | HARNES,WRG,CEC-TRANS-ABS,C4RE | |

Models: C4RE
ELECTRICAL PANEL
CENTER, CHASSIS
BSN: From BSN F20053995
 To BSN F20054894

| Key | PartNumber | Qty | Description | Comment |
|-----|------------|-----|-------------|---------|
|-----|------------|-----|-------------|---------|

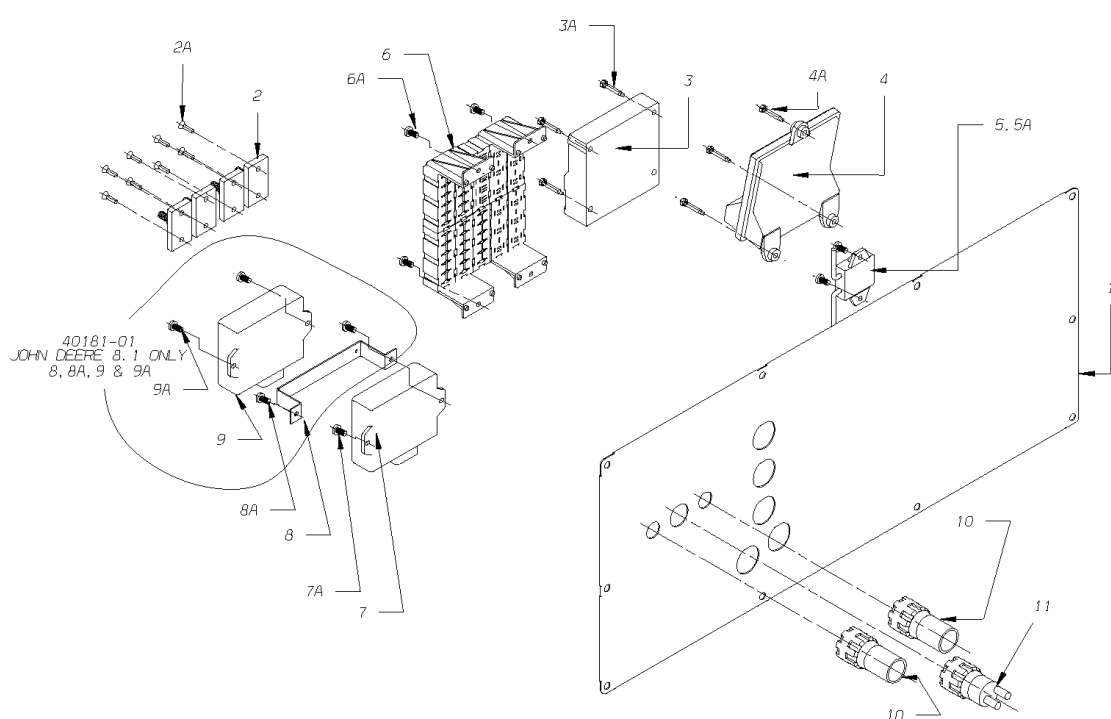
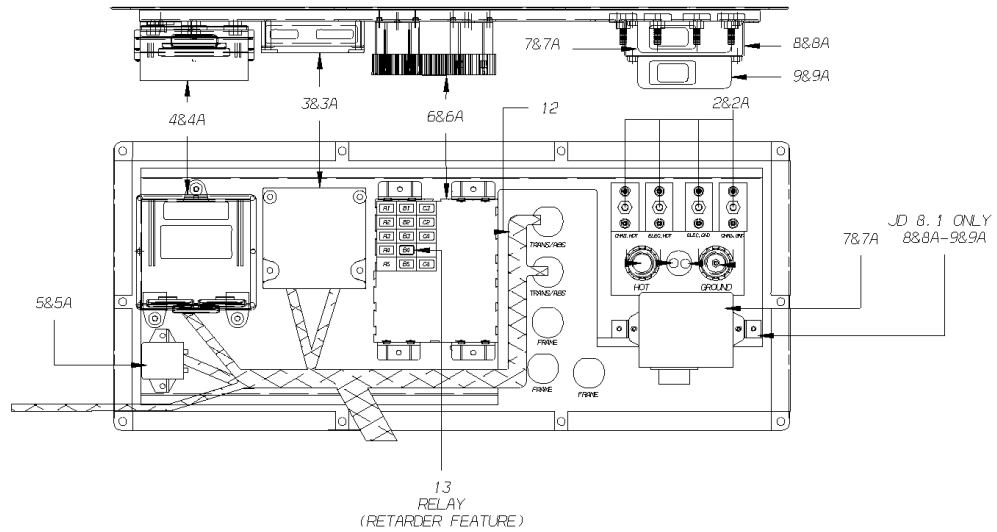


Models: C4RE
**ELECTRICAL PANEL
 CENTER, CHASSIS**
BSN: From BSN F20053995
 To BSN F20054894

| Key | PartNumber | Qty | Description | Comment |
|-----|------------|-----|---|------------------------------|
| 1 | 0037148 | | PANEL ASSY,CLOSEOUT,ELECTRICAL,CENTER, | |
| 2 | 0553131 | 4 | STUD,TERMINAL,BAT CABLE JUNCTION,NO | |
| 2A | 1731017 | 8 | SCREW,12-24 X 7/8,F,PH1,FLT CNSK HD,BLK | |
| 3 | 0046009 | | ECU,ABS,BENDIX,EC-30 | |
| 3A | 0050529 | 4 | SCREW,1/4-20 X 1-3/4,D,HEX HD,YEL ZN DICH | |
| 4 | | | TRANS, ECU MODULE | |
| 4A | 1422948 | 3 | SCREW,1/4-20 X 1-1/4,D,HEX HD,YEL ZN DICH | |
| 5 | 0046633 | | MODULE,RETARDER CONTROL,INTERFACE | FEATURE 40423-02 or 40424-02 |
| 5A | 1812239 | 2 | SCREW,10-32 X 3/4,F,PH1,PAN HD,ZN | |
| 6 | 0055680 | | HARNES,WRG,CHASSIS,ELECTRICAL CENTER, | |
| 6A | 1812239 | | SCREW,10-32 X 3/4,F,PH1,PAN HD,ZN | |
| 7 | 0036902 | | ECU,INSTRUMENTATION,1587,PI,PRX1,C4RE, | |
| 7A | 1812239 | 2 | SCREW,10-32 X 3/4,F,PH1,PAN HD,ZN | |
| 8 | 0042268 | | BRACKET,MTG,PRX2, C4RE | FEATURE 40181-01 |
| 8A | 0019061 | 2 | SCREW,10-32 X 1/2,F,PH1,PAN HD,BLACK ZINC | |
| 9 | 0039174 | | ECU,INSTRUMENTATION,1939 TO 1587,PI,JD | FEATURE 40181-01 |
| 9A | 1812239 | 2 | SCREW,10-32 X 3/4,F,PH1,PAN HD,ZN | |
| 10 | 0002212 | 2 | BOOT,HEAT SHRINKABLE,RAYCHEM CES-2 | |
| 11 | 0006105 | | BOOT,HEAT SHRINKABLE,RAYCHEM,CE3-3-D1 | |
| 12 | 0045195 | | HARNES,WRG,CEC-TRANS-ABS,C4RE | |
| 13 | 1746387 | | RELAY,MICRO | FEATURE 40423-02, 40424-02 |
| 14 | 0053505 | | HARNES,WRG,JUMPER,RETARDER, C4RE | FEATURE 40423-02, 40424-02 |

Models: C4RE
**ELECTRICAL PANEL
 CENTER, CHASSIS**
BSN: From BSN 20054895
 To BSN F2005494

| Key | PartNumber | Qty | Description | Comment |
|-----|------------|-----|-------------|---------|
|-----|------------|-----|-------------|---------|

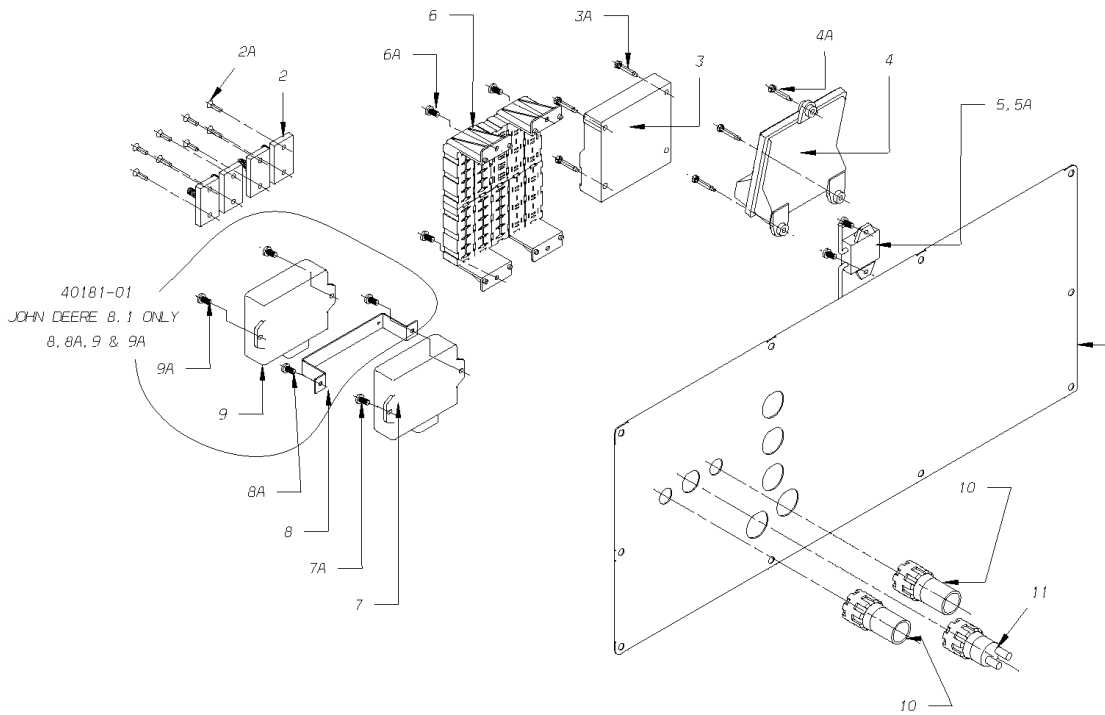
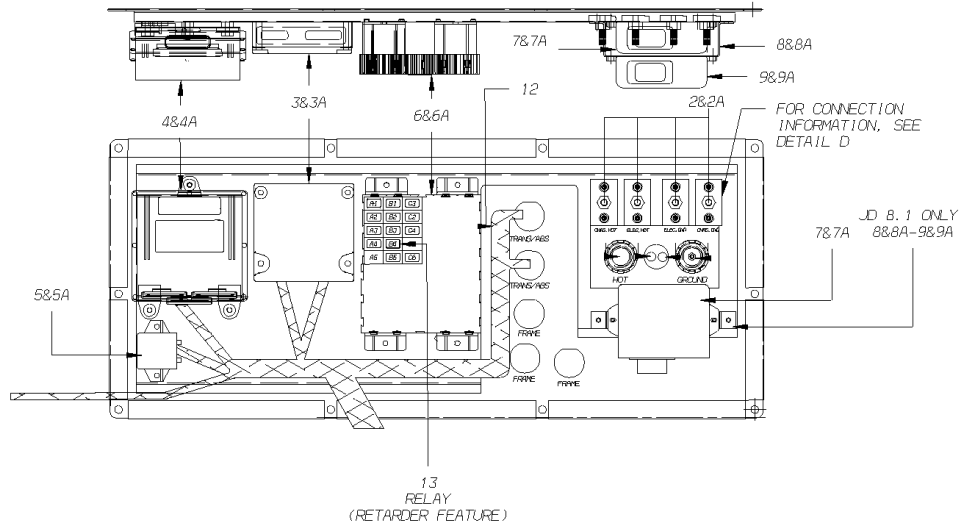


Models: C4RE
**ELECTRICAL PANEL
 CENTER, CHASSIS**
BSN: From BSN 20054895
 To BSN F20055494

| Key | PartNumber | Qty | Description | Comment |
|-----|------------|-----|---|-----------------------------------|
| 1 | 0037148 | | PANEL ASSY,CLOSEOUT,ELECTRICAL,CENTER, | |
| 2 | 0553131 | 4 | STUD,TERMINAL,BAT CABLE JUNCTION,NO | |
| 2A | 1731017 | 8 | SCREW,12-24 X 7/8,F,PH1,FLT CNSK HD,BLK | |
| 3 | 0046009 | | ECU,ABS,BENDIX,EC-30 | |
| 3A | 0050529 | 4 | SCREW,1/4-20 X 1-3/4,D,HEX HD,YEL ZN DICH | |
| 4 | | | TRANS, ECU MODULE | |
| 4A | 1422948 | 3 | SCREW,1/4-20 X 1-1/4,D,HEX HD,YEL ZN DICH | |
| 5 | 0046633 | | MODULE,RETARDER CONTROL,INTERFACE | WITH 40423-02 OR 0424-02 |
| 5A | 1812239 | 2 | SCREW,10-32 X 3/4,F,PH1,PAN HD,ZN | WITH 40423-02 OR 40424-02 |
| 6 | 0062520 | | HARNESS,WRG,CHASSIS,ELECTRICAL CTR, | |
| 6A | 1812239 | | SCREW,10-32 X 3/4,F,PH1,PAN HD,ZN | |
| 7 | 0061808 | | ECU,INST,1587,PI,PRX1-D,C4/H4 | |
| 7A | 1812239 | 2 | SCREW,10-32 X 3/4,F,PH1,PAN HD,ZN | |
| 8 | 0042268 | | BRACKET,MTG,PRX2, C4RE | FEATURE 40181-01 |
| 8A | 0019061 | | SCREW,10-32 X 1/2,F,PH1,PAN HD,BLACK ZINC | WITH FEATURE 40181-01 |
| 9 | 0039174 | | ECU,INSTRUMENTATION,1939 TO 1587,PI,JD | WITH FEATURE 40181-01 |
| 9A | 1812239 | 2 | SCREW,10-32 X 3/4,F,PH1,PAN HD,ZN | WITH FEATURE 40181-01 |
| 10 | 0002212 | 2 | BOOT,HEAT SHRINKABLE,RAYCHEM CES-2 | |
| 11 | 0006105 | | BOOT,HEAT SHRINKABLE,RAYCHEM,CE3-3-D1 | |
| 12 | 0045195 | | HARNESS,WRG,CEC-TRANS-ABS,C4RE | |
| 13 | 1746387 | | RELAY,MICRO | WITH FEATURE 40423-02 OR 40424-02 |
| 14 | 0053505 | | HARNESS,WRG,JUMPER,RETARDER, C4RE | WITH FEATURE 40423-02 OR 40424-02 |

Models: C4RE
ELECTRICAL PANEL
CENTER, CHASSIS
BSN: From BSN F20055495

| Key | PartNumber | Qty | Description | Comment |
|-----|------------|-----|-------------|---------|
|-----|------------|-----|-------------|---------|



Models: C4RE
**ELECTRICAL PANEL
 CENTER, CHASSIS**
BSN: From BSN F20055495

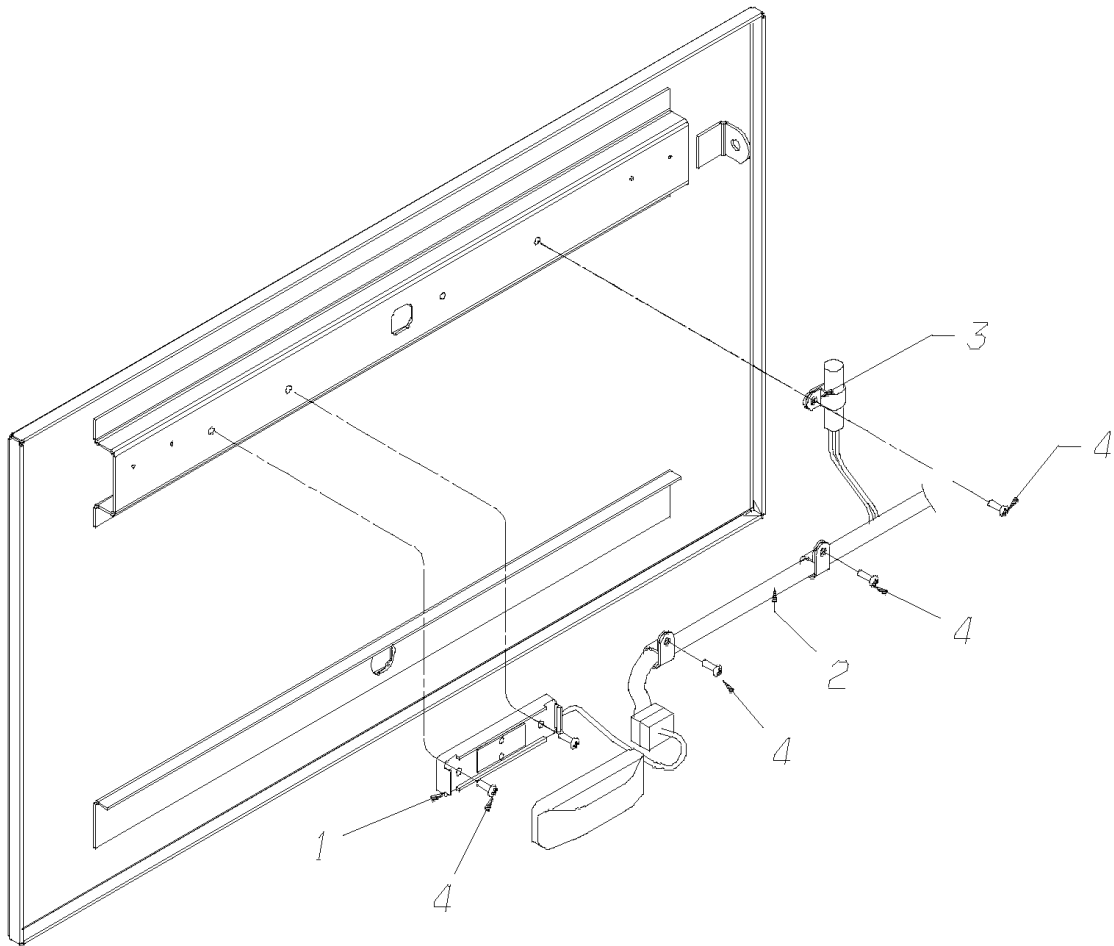
| Key | PartNumber | Qty | Description | Comment |
|-----|------------|-----|---|-----------------------------------|
| 1 | 0037148 | | PANEL ASSY,CLOSEOUT,ELECTRICAL,CENTER, | |
| 2 | 0553131 | 4 | STUD,TERMINAL,BAT CABLE JUNCTION,NO | |
| 2A | 1731017 | 8 | SCREW,12-24 X 7/8,F,PH1,FLT CNSK HD,BLK | |
| 3 | 0046009 | | ECU,ABS,BENDIX,EC-30 | |
| 3A | 0050529 | 4 | SCREW,1/4-20 X 1-3/4,D,HEX HD,YEL ZN DICH | |
| 4 | | | TRANS, ECU MODULE | |
| 4A | 1422948 | 3 | SCREW,1/4-20 X 1-1/4,D,HEX HD,YEL ZN DICH | |
| 5 | 0046633 | | MODULE,RETARDER CONTROL,INTERFACE | WITH 40423-02 OR 0424-02 |
| 5A | 1812239 | 2 | SCREW,10-32 X 3/4,F,PH1,PAN HD,ZN | WITH 40423-02 OR 40424-02 |
| 6 | 0062520 | | HARNESS,WRG,CHASSIS,ELECTRICAL CTR, | |
| 6A | 1812239 | | SCREW,10-32 X 3/4,F,PH1,PAN HD,ZN | |
| 7 | 0061808 | | ECU,INST,1587,PI,PRX1-D,C4/H4 | |
| 7A | 1812239 | 2 | SCREW,10-32 X 3/4,F,PH1,PAN HD,ZN | |
| 8 | 0042268 | | BRACKET,MTG,PRX2, C4RE | FEATURE 40181-01 |
| 8A | 0019061 | | SCREW,10-32 X 1/2,F,PH1,PAN HD,BLACK ZINC | WITH FEATURE 40181-01 |
| 9 | 0039174 | | ECU,INSTRUMENTATION,1939 TO 1587,PI,JD | WITH FEATURE 40181-01 |
| 9A | 1812239 | 2 | SCREW,10-32 X 3/4,F,PH1,PAN HD,ZN | WITH FEATURE 40181-01 |
| 10 | 0002212 | 2 | BOOT,HEAT SHRINKABLE,RAYCHEM CES-2 | |
| 11 | 0006105 | | BOOT,HEAT SHRINKABLE,RAYCHEM,CE3-3-D1 | |
| 12 | 0062524 | | HARNESS,WRG,CEC/TRANS/ABS, C4RE | |
| 13 | 1746387 | | RELAY,MICRO | WITH FEATURE 40423-04 OR 40424-04 |
| 14 | 0053505 | | HARNESS,WRG,JUMPER,RETARDER, C4RE | WITH FEATURE 40423-04 OR 40424-04 |
| 15 | 2001451 | 4 | NUT,HEX HD,3/8-16,YELLOW DICHROMATE | |

Models: C4RE
**ELECTRICAL PANEL
CENTER, CHASSIS**
BSN: From BSN F20055495

| Key | PartNumber | Qty | Description | Comment |
|-----|------------|-----|--------------------------------------|---------|
| 16 | 0882795 | 4 | LOCKWASHER,SPLIT RING,3/8,MED,YELLOW | |

Models: C4RE
ELECTRICAL PANEL
FRONT, DOOR LIGHT INSTALLATION
To BSN F20047499

| Key | PartNumber | Qty | Description | Comment |
|-----|------------|-----|-------------|---------|
|-----|------------|-----|-------------|---------|

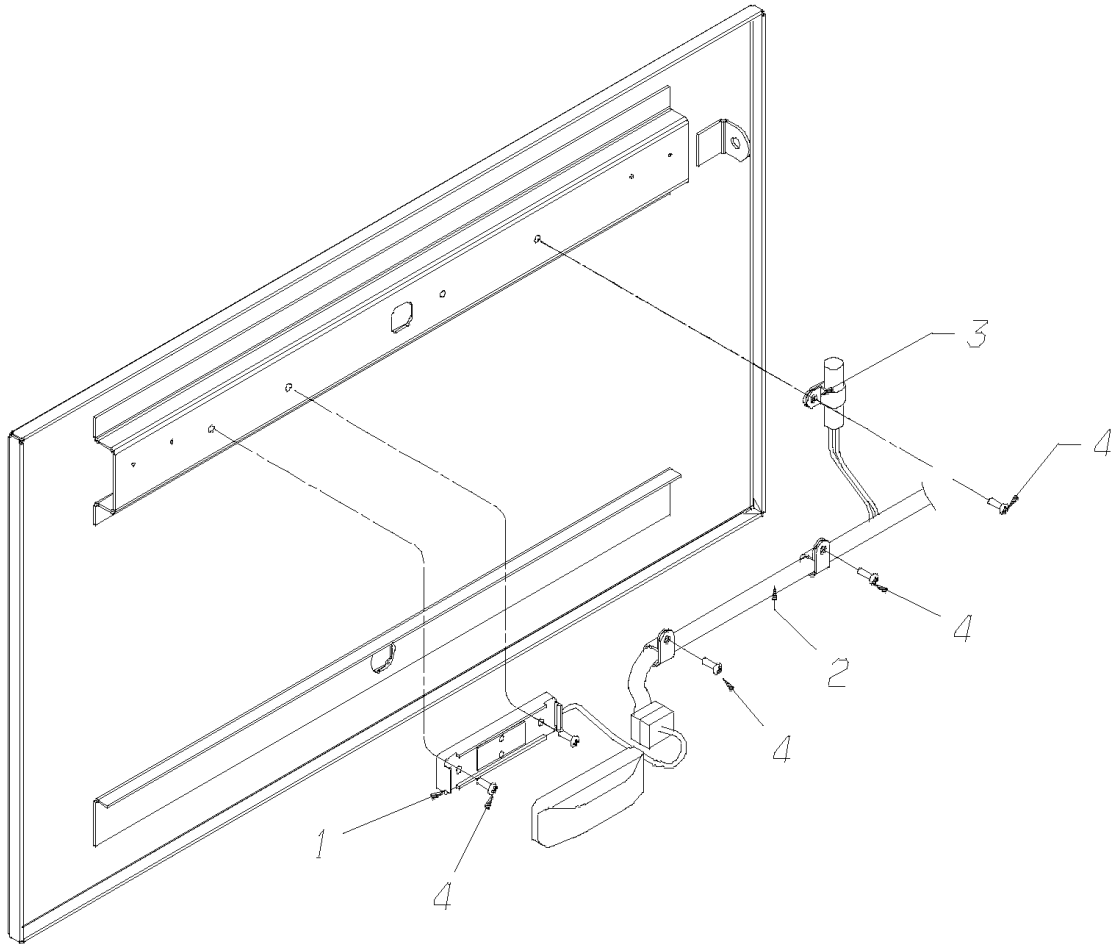


Models: C4RE
ELECTRICAL PANEL
FRONT, DOOR LIGHT INSTALLATION
To BSN F20047499

| Key | PartNumber | Qty | Description | Comment |
|-----|------------|-----|--|---------|
| 1 | 0042265 | | LIGHT ASSY,LICENSE PLATE,MODEL 19,RAIL M | |
| 2 | 3928017 | | SWITCH,MERCURY,METAL CASE,INSULATED | |
| 3 | 2258630 | | CLAMP,CABLE,NYLON,1/2 | |
| 4 | 1812239 | 3 | SCREW,10-32 X 3/4,F,PH1,PAN HD,ZN | |

Models: C4RE
ELECTRICAL PANEL
FRONT, DOOR LIGHT INSTALLATION
BSN: From BSN F20047500

| Key | PartNumber | Qty | Description | Comment |
|-----|------------|-----|-------------|---------|
|-----|------------|-----|-------------|---------|



Models: C4RE
ELECTRICAL PANEL
FRONT, DOOR LIGHT INSTALLATION
BSN: From BSN F20047500

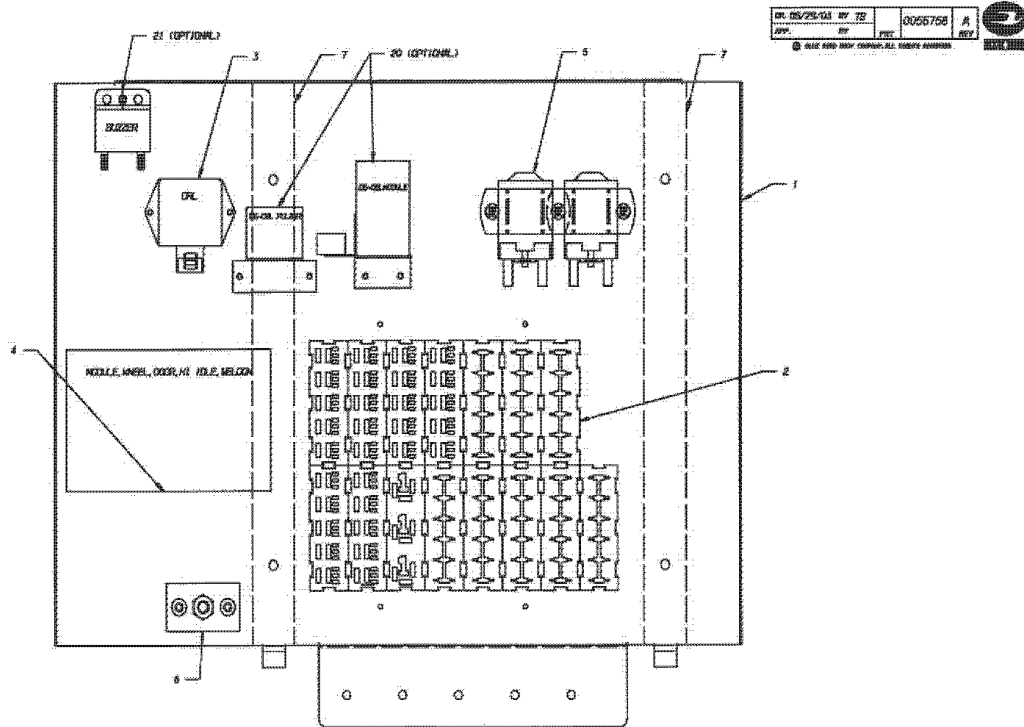
| Key | PartNumber | Qty | Description | Comment |
|-----|------------|-----|--|---------|
| 1 | 0053297 | 2 | LIGHT ASSY,ELECTRICAL PANEL,DOOR, C4RE | |
| 2 | 0053304 | | HARNESS,WRG,LGT,ASSY,ELEC,PANEL DOOR, | |
| 3 | 2258630 | 6 | CLAMP,CABLE,NYLON,1/2 | |
| 4 | 1812239 | 10 | SCREW,10-32 X 3/4,F,PH1,PAN HD,ZN | |

Models: **C4RE
HARNESSES**

| Key | PartNumber | Qty | Description | Comment |
|-----|------------|-----|--|------------------------------|
| | 0037411 | | HARNESS,WRG,ENG,JD 8.1, C4RE | <i>FEATURE 40181-01</i> |
| | 0042497 | | HARNESS,WRG,OVERLAY,JD 8.1, 150 WB, C4RE | |
| | 0041351 | | HARNESS,WRG,OVERLAY,JD 8.1, 217 WB, C4RE | |
| | 0042498 | | HARNESS,WRG,OVERLAY,JD 8.1, 273 WB, C4RE | |
| | 0039329 | | HARNESS,WRG,TRANS,WORLD,150 WB, C4RE | |
| | 0037412 | | HARNESS,WRG,TRANS,WORLD,217 WB,C4RE | |
| | 0042434 | | HARNESS,WRG,TRANS,WORLD,273 WB, C4RE | |
| | 0039327 | | HARNESS,WRG,FRAME,150 WB, C4RE | |
| | 0039328 | | HARNESS,WRG,FRAME,217 WB, C4RE | |
| | 0039925 | | HARNESS,WRG,FRAME,273 WB, C4RE | |
| | 0045195 | | HARNESS,WRG,CEC-TRANS-ABS,C4RE | |
| | 0045478 | | HARNESS,WRG,PDU,REAR,JD 8.1,C4RE | |
| | 0045522 | | HARNESS,WRG,CHASSIS,ELECTRICAL CENTER, | |
| | 0037409 | | HARNESS,WRG,ENGINE,ISC,ISL, C4RE,H4RE | <i>FEATURE 40184-03, -07</i> |
| | 0037417 | | HARNESS,WRG,PDU,REAR,CUMMINS,C4RE, | <i>FEATURE 40184-03, -07</i> |
| | 0042548 | | HARNESS,WRG,ENGINE COMPARTMENT, H4RE | |

Models: C4RE
PANEL ASSEMBLIES
ELECTRICAL, OUTSIDE ACCESS, FRONT BODY

| Key | PartNumber | Qty | Description | Comment |
|-----|------------|-----|-------------|---------|
|-----|------------|-----|-------------|---------|



**Models: C4RE
 PANEL ASSEMBLIES
 ELECTRICAL, OUTSIDE ACCESS, FRONT BODY**

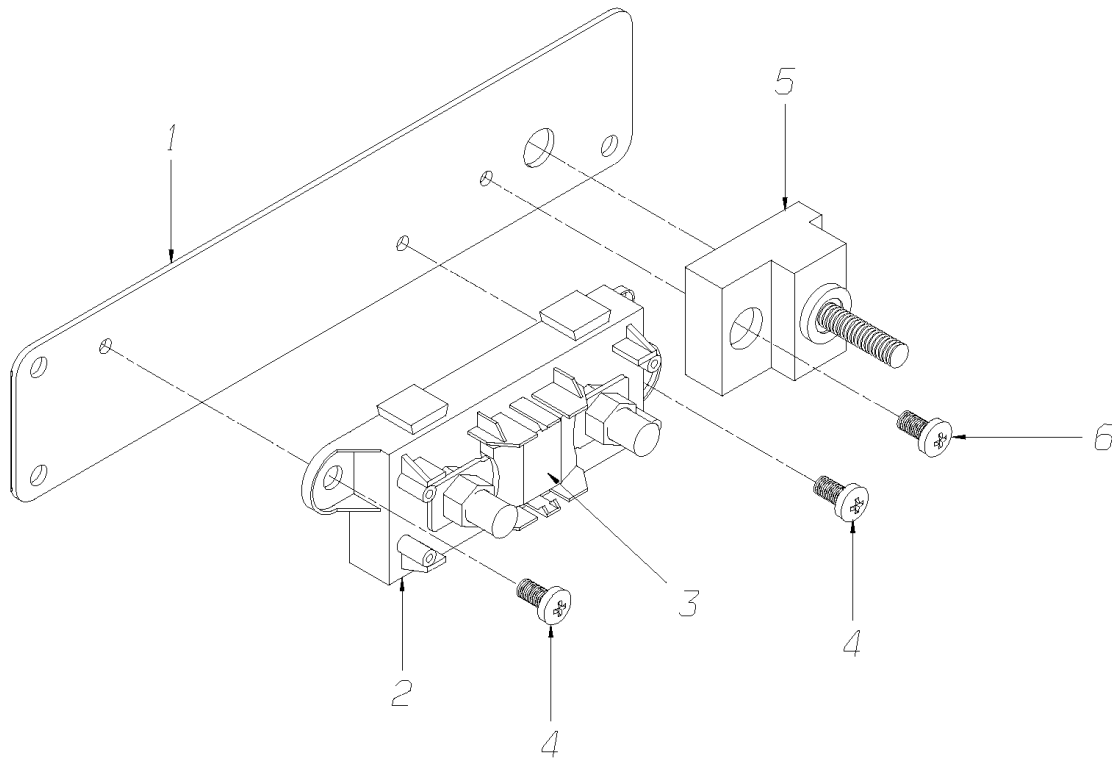
| Key | PartNumber | Qty | Description | Comment |
|-----|------------|-----|--|--------------------------------|
| 1 | 0038902 | | PANEL,ELECTRICAL,O/S ACCESS, C4RE | |
| | 1268119 | 4 | SCREW,1/4-20X1/2,F,PH1,PAN HD,YEL ZN DICH | |
| 2 | 0054261 | | HARNES,WRG,ELECTRICAL CENTER,BODY, | |
| | 1268119 | 4 | SCREW,1/4-20X1/2,F,PH1,PAN HD,YEL ZN DICH | |
| 3 | 0037141 | | MODULE,DRL,PWM,AFL | |
| | 0019061 | 2 | SCREW,10-32 X 1/2,F,PH1,PAN HD,BLACK ZINC | |
| 4 | 0037142 | | MODULE,KNEEL,DOOR,HI IDLE,WELDON C4RE, | |
| | 0041876 | 4 | SCREW,8-32 X 1/2,F,PH1,PAN HEAD,YL ZN | |
| | 2001105 | 4 | WASHER,FLAT,13/64 X,1/2 X 3/64,YEL ZN DICH | |
| | 0043025 | 2 | STANDOFF,ELECTRICAL BOX,3.00 H X 3.69 W | |
| 5 | 0932012 | 2 | SOLENOID,100-AMP | |
| | 0009671 | 2 | DIODE ASSY,SUPPRESSION,NOISE,BODY | |
| | 0039096 | | BUS BAR,SOLENOID,BODY | |
| | 1268119 | 3 | SCREW,1/4-20X1/2,F,PH1,PAN HD,YEL ZN DICH | |
| | 2001170 | 3 | LOCKWASHER,SPLIT RING, 1/4 ,MED,YEL ZN | |
| 6 | 0553131 | 2 | STUD,TERMINAL,BAT CABLE JUNCTION,NO | |
| | 0020713 | 4 | SCREW,1/4-20 X 3/4,F,PH1,PAN HD,YEL ZN | |
| 7 | 0040720 | 2 | BRACKET,HAT,FRT ELEC PNL, C4RE | |
| 20 | 0041885 | | KIT,DECELERATION ALERT SYSTEM | FEATURE 30742-01 |
| | 1334671 | 4 | SCREW,8-32 X 3/8,F,PH1,PAN HD,YEL ZN DICH | |
| 21 | 0021437 | | BUZZER, R.E.D / R.E.W / P.O.W | FEATURE 31201-07, 6178-01, -02 |
| | 1268119 | | SCREW,1/4-20X1/2,F,PH1,PAN HD,YEL ZN DICH | |
| NI | 1868017 | | RELAY,POTTER BRUMFIELD VF4-15F11-S01 | |

Models: C4RE
PANEL ASSEMBLIES
ELECTRICAL, OUTSIDE ACCESS, FRONT BODY

| Key | PartNumber | Qty | Description | Comment |
|-----|------------|-----|--------------------------------------|---------|
| NI | 1746387 | | RELAY,MICRO | |
| NI | 0042298 | | BREAKER,CIRC,BUSM-400,MAN RESET,7.5A | |
| NI | 0042300 | | BREAKER,CIRC,BUSM-400,MAN RESET,10A | |
| NI | 0042301 | | BREAKER,CIRC,BUSM-400,MAN RESET,15A | |
| NI | 0042302 | | BREAKER,CIRC,BUSM-400,MAN RESET,20A | |
| NI | 0042303 | | BREAKER,CIRC,BUSM-400,MAN RESET,25A | |
| NI | 0042367 | | BREAKER,CIRC,BUSM-400,MAN RESET,30A | |

Models: C4RE
 PANEL ASSEMBLIES
 MTG, ELECTRICAL COMPONENTS

| Key | PartNumber | Qty | Description | Comment |
|-----|------------|-----|-------------|---------|
|-----|------------|-----|-------------|---------|

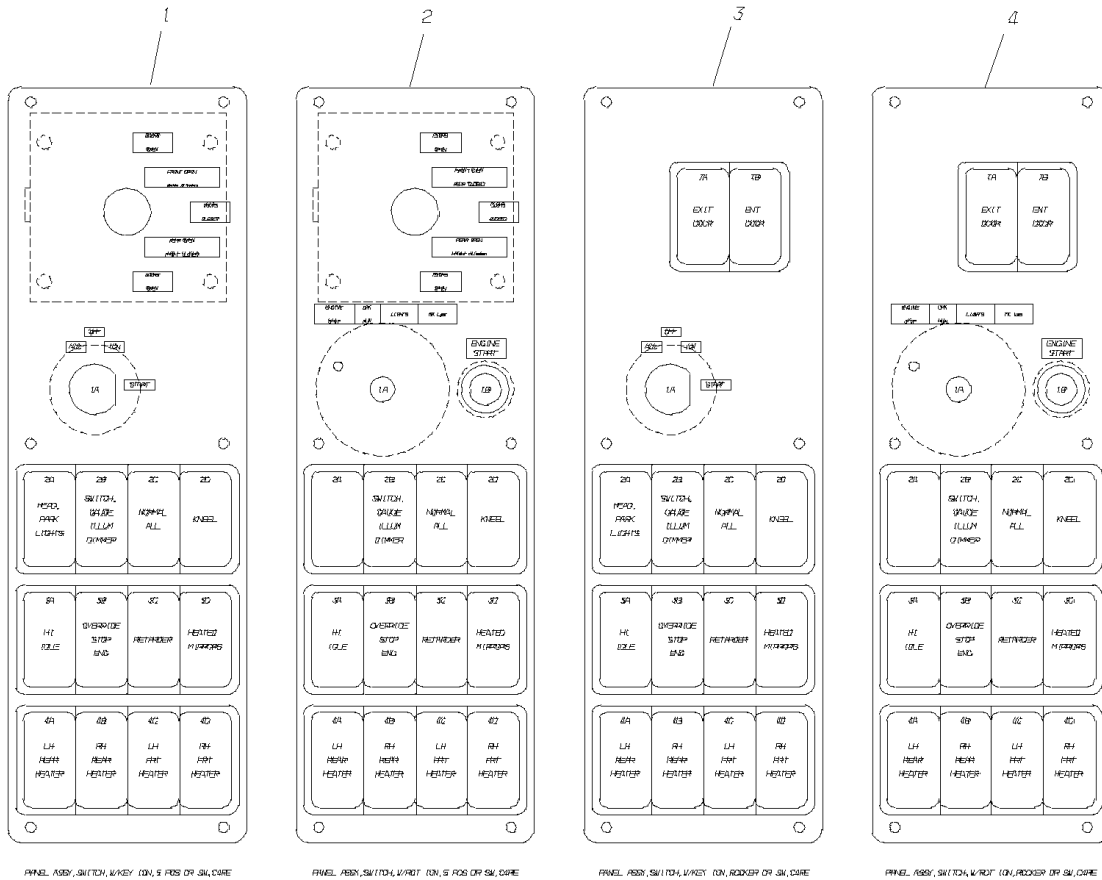


Models: C4RE
PANEL ASSEMBLIES
MTG, ELECTRICAL COMPONENTS

| Key | PartNumber | Qty | Description | Comment |
|-----|------------|-----|---|---------|
| 1 | 0041121 | | PANEL,MTG,ELEC COMPONENTS, C4RE,H4RE | |
| 2 | 0043235 | | HOLDER,FUSE,MEGA,BUSSMANN" | |
| 3 | 0041783 | | FUSE,MEGA,80 AMP | |
| 4 | 1334689 | 2 | SCREW,10-32 X 3/8,F,PH1,PAN HD,YEL ZN | |
| 5 | 0002809 | | JUNCTION BLOCK,COOPER,C5268-4 | |
| 6 | 1731017 | | SCREW,12-24 X 7/8,F,PH1,FLT CNSK HD,BLK | |

**Models: C4RE
PANEL ASSEMBLIES
SWITCH, DRIVER SIDE
To BSN F20053994**

| Key | PartNumber | Qty | Description | Comment |
|-----|------------|-----|-------------|---------|
|-----|------------|-----|-------------|---------|



Models: C4RE
PANEL ASSEMBLIES
SWITCH, DRIVER SIDE
To BSN F20053994

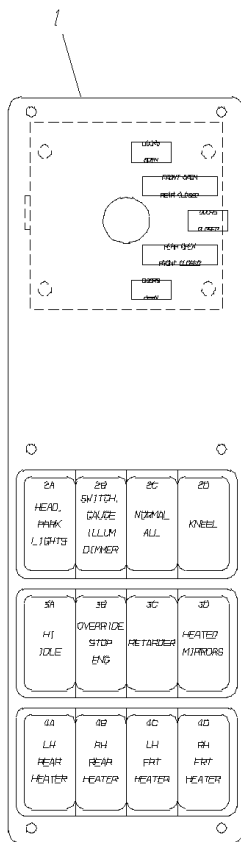
| Key | PartNumber | Qty | Description | Comment |
|-----|------------|-----|---|--|
| | 0046195 | | PANEL ASSY,SWITCH,DRIVER'S SIDE,FRONT, | |
| 1 | 0040708 | | PANEL,SWITCH,DRV SIDE,W/KEY IG,W/LEVER, | FEATURE 30978-08. WITH KEY IGNITION, WITH LEVER |
| 2 | 0040709 | | PANEL,SWITCH,DRV SIDE,W/ROTARY,W/LEVER, | FEATURE 30978-08 WITH FEATURE 30241-01. WITH ROTARY IGNITION, WITH LEVER |
| 3 | 0045629 | | PANEL,SWITCH,DRV SIDE,W/KEY IGN, C4RE | WITHOUT FEATURE 30978-08 WITHOUT FEATURE 30241-01. WITH KEY IGNITION |
| 4 | 0045630 | | PANEL,SWITCH,DRV SIDE,W/ROTARY IGN, | FEATURE 30241-01 WITHOUT FEATURE 30978-08. WITH ROTARY IGNITION |
| NI | 0027347 | | BEZEL,END,NGR,SWITCH PANEL | |
| NI | 0027348 | | BEZEL,CENTER,NGR,SWITCH PANEL | |
| NI | 0027349 | | BLANK,PLUG,SWITCH PANEL,NGR | |
| 1A | 0039953 | | SWITCH,MASTER ROTARY,4 POS,6 TERM | FEATURE 30241-01 |
| 1A | 1103373 | | KNOB,MASTER ROTARY SWITCH | FEATURE 30241-01 |
| 1A | 1010685 | | SWITCH,IGN | WITHOUT FEATURE 30241-01 |
| 1B | 0039438 | | SWITCH,PUSH BUTTON,START | FEATURE 30241-01 |
| 2A | 0014715 | | SWITCH,ROCKER,NGR,HEADLIGHT | WITHOUT FEATURE 30241-01 |
| 2B | 0027933 | | SWITCH,SLIDE,DIMMER,PANEL,GANG | STANDARD |
| 2C | 0040075 | | SWITCH,ROCKER,NGR,DOME,NORMAL,ALL | STANDARD |
| 2D | 0037143 | | SWITCH,ROCKER,NGR,KNEEL | FEATURE 04569 |
| 3A | 0014718 | | SWITCH,ROCKER,NGR,HIGH IDLE,OFF-ON | STANDARD |
| 3B | 0038327 | | SWITCH,ROCKER,NGR,OVERRIDE,STOP ENG | STANDARD |
| 3C | 0014724 | | SWITCH,ROCKER,NGR,TRANSMISSION | FEATURE 40423-02,40424-02 |
| 3D | 0038279 | | SWITCH,ROCKER,NGR,MIRROR,HEATED | FEATURE 30482-05 |
| 4A | 0039658 | | SWITCH,ROCKER,NGR,HEATER,REAR | FEATURE 30060-09, -11 |

**Models: C4RE
 PANEL ASSEMBLIES
 SWITCH, DRIVER SIDE
 To BSN F20053994**

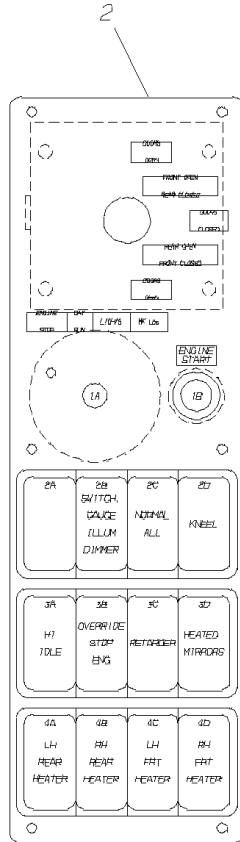
| Key | PartNumber | Qty | Description | Comment |
|-----|------------|-----|---------------------------------------|---|
| 4B | 0039658 | | SWITCH,ROCKER,NGR,HEATER,REAR | FEATURE 30060-15, -17 |
| 4B | 0027317 | | ROCKER,BUTTON,NGR,HEATER,REAR | |
| 4C | 0039657 | | SWITCH,ROCKER,NGR,HEATER,FRONT | FEATURE 30060-36 |
| 4D | 0039657 | | SWITCH,ROCKER,NGR,HEATER,FRONT | FEATURE 30060-35 |
| 4D | 0027316 | | ROCKER,BUTTON,NGR,HEATER,FRONT | |
| 5 | 0040714 | | PANEL ASSY,SWITCH,DRV SI,REAR,W/MISC, | |
| 5 | 0040715 | | PANEL,SWITCH,DRV SI,REAR, C4RE | |
| 5A | 0039660 | | SWITCH,ROCKER,NGR,LIFT | FEATURE 31061-02 |
| 5B | 0038917 | | SWITCH,ROCKER,NGR,SPKR,INT-EXT | FEATURE 31140-03 |
| 5B | 0050421 | | SWITCH,ROCKER,NGR,SPKR,INT-EXT,2 POS | FEATURE 30260-13 WITH 30269-10 |
| 5C | 0039659 | | SWITCH,ROCKER,NGR,CHIME | FEATURE 30299-01 |
| 5D | 0038934 | | SWITCH,ROCKER,NGR,TOUCH BAR,BYPASS | FOR FUTURE USE. |
| 6A | 0039661 | | SWITCH,ROCKER,NGR,BRAKE OVERRIDE | FEATURE 31061-02 |
| 6B | 0038918 | | SWITCH,ROCKER,NGR,VENT,ROOF | FEATURE 6178-01 |
| 6C | 0038918 | | SWITCH,ROCKER,NGR,VENT,ROOF | FEATURE 6178-02 |
| 6D | 0027285 | | SWITCH,BASE,NGR,SPST,ON-ON,HIGH | STANDARD |
| 6D | 0027314 | | ROCKER,BUTTON,NGR,DOME,DRIVERS | STANDARD |
| 7A | 0027329 | | ROCKER,BUTTON,NGR,DOOR,EXIT | FEATURE 31061-01, -02 WITHOUT 30978-08 |
| 7A | 0027287 | | SWITCH,BASE,NGR,SPST,IND,OFF-ON | FEATURE 31061-01, -02 WITHOUT 30978-08 |
| 7B | 0037729 | | ROCKER,BUTTON,NGR,ENT DOOR | WITHOUT FEATURE 30978-08 |
| 7B | 0027287 | | SWITCH,BASE,NGR,SPST,IND,OFF-ON | WITHOUT FEATURE 30978-08 |

Models: C4RE
PANEL ASSEMBLIES
SWITCH, DRIVER SIDE
BSN: From BSN F20053995

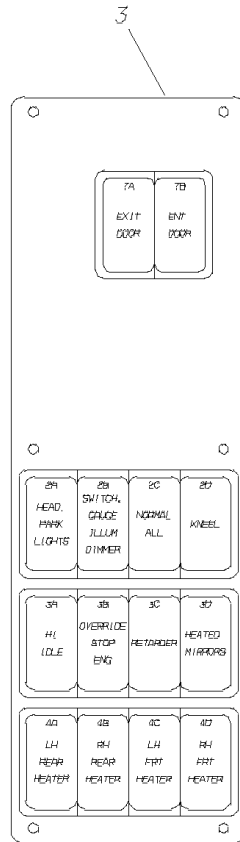
| Key | PartNumber | Qty | Description | Comment |
|-----|------------|-----|-------------|---------|
|-----|------------|-----|-------------|---------|



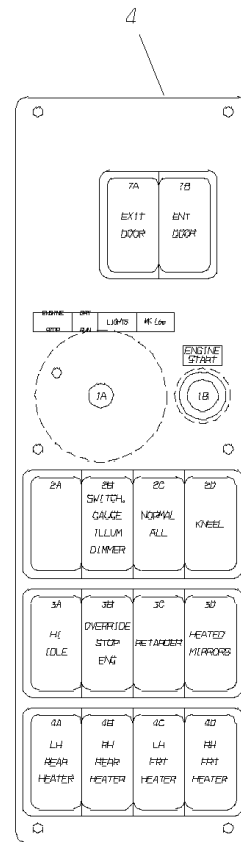
PANEL ASSY, SWITCH, 5 POS DR SW, CARE



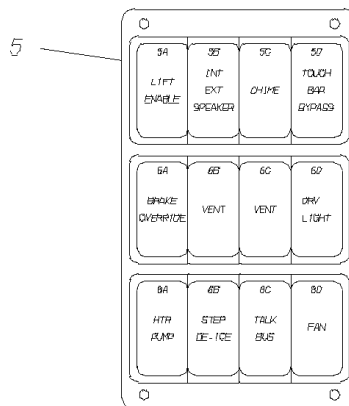
PANEL ASSY, SWITCH, 1QV, 5 POS DR SW, CARE



PANEL ASSY, SWITCH, ROCKER DR SW, CARE



PANEL ASSY, SWITCH, 1QV, ROCKER DR SW, CARE



Switches shown in order of dominance.

Models: C4RE
PANEL ASSEMBLIES
SWITCH, DRIVER SIDE
BSN: From BSN F20053995

| Key | PartNumber | Qty | Description | Comment |
|-----|------------|-----|---|--|
| | 0054343 | | PANEL ASSY,SWITCH,DRIVER'S SIDE,FRONT, | |
| 1 | 0054335 | | PANEL,SWITCH,DRV SIDE,W/LEVER,C4RE | FEATURE 30978-08 WITHOUT 30241-01. WITH LEVER |
| 2 | 0040709 | | PANEL,SWITCH,DRV SIDE,W/ROTARY,W/LEVER, | FEATURE 30978-08 WITH 30241-01. WITH ROTARY IGNITION, WITH LEVER |
| 3 | 0054334 | | PANEL,SWITCH,DRV SIDE, C4RE | WITHOUT FEATURE 30978-08 WITHOUT FEATURE 30241-01 |
| 4 | 0045630 | | PANEL,SWITCH,DRV SIDE,W/ROTARY IGN, | FEATURE 30241-01 WITHOUT 30978-08. WITH ROTARY IGNITION |
| NI | 0027347 | | BEZEL,END,NGR,SWITCH PANEL | |
| NI | 0027348 | | BEZEL,CENTER,NGR,SWITCH PANEL | |
| NI | 0027349 | | BLANK,PLUG,SWITCH PANEL,NGR | |
| 1A | 0039953 | | SWITCH,MASTER ROTARY,4 POS,6 TERM | FEATURE 30241-01 |
| 1A | 1103373 | | KNOB,MASTER ROTARY SWITCH | FEATURE 30241-01 |
| 1B | 0039438 | | SWITCH,PUSH BUTTON,START | FEATURE 30241-01 |
| 2A | 0014715 | | SWITCH,ROCKER,NGR,HEADLIGHT | |
| 2B | 0027933 | | SWITCH,SLIDE,DIMMER,PANEL,GANG | |
| 2C | 0040075 | | SWITCH,ROCKER,NGR,DOME,NORMAL,ALL | |
| 2D | 0037143 | | SWITCH,ROCKER,NGR,KNEEL | FEATURE 04569-00 |
| 3A | 0014718 | | SWITCH,ROCKER,NGR,HIGH IDLE,OFF-ON | |
| 3A | 0014717 | | SWITCH,ROCKER,NGR,HIGH IDLE,OFF-MOM | FEATURE 40187-03, -04, -06 |
| 3B | 0038327 | | SWITCH,ROCKER,NGR,OVERRIDE,STOP ENG | FEATURE 40184-03, -07 |
| 3C | 0014724 | | SWITCH,ROCKER,NGR,TRANSMISSION | FEATURE 40423-02,40424-02 |
| 3D | 0038279 | | SWITCH,ROCKER,NGR,MIRROR,HEATED | FEATURE 30482-05 |
| 4A | 0039658 | | SWITCH,ROCKER,NGR,HEATER,REAR | FEATURE 30060-09, -11 FEATURE 30060-15, -17 |

Models: C4RE
PANEL ASSEMBLIES
SWITCH, DRIVER SIDE
BSN: From BSN F20053995


| Key | PartNumber | Qty | Description | Comment |
|-----|------------|-----|---------------------------------------|---|
| 4B | 0039658 | | SWITCH,ROCKER,NGR,HEATER,REAR | |
| 4B | 0027317 | | ROCKER,BUTTON,NGR,HEATER,REAR | |
| 4C | 0039657 | | SWITCH,ROCKER,NGR,HEATER,FRONT | FEATURE 30060-36 |
| 4D | 0039657 | | SWITCH,ROCKER,NGR,HEATER,FRONT | FEATURE 30060-35 |
| 4D | 0027316 | | ROCKER,BUTTON,NGR,HEATER,FRONT | |
| 5 | 0054046 | | PANEL,SWITCH,DRV SI,REAR, C4RE | |
| 5A | 0039660 | | SWITCH,ROCKER,NGR,LIFT | FEATURE 31061-02, 30192-10, -11, 31060-02 |
| 5B | 0038917 | | SWITCH,ROCKER,NGR,SPKR,INT-EXT | FEATURE 31140-03, -11 |
| 5B | 0050421 | | SWITCH,ROCKER,NGR,SPKR,INT-EXT,2 POS | FEATURE 30260-13 WITH 30269-10 |
| 5C | 0039659 | | SWITCH,ROCKER,NGR,CHIME | FEATURE 30299-01 |
| 5D | 0038934 | | SWITCH,ROCKER,NGR,TOUCH BAR,BYPASS | FOR FUTURE USE |
| 6A | 0039661 | | SWITCH,ROCKER,NGR,BRAKE OVERRIDE | FEAT31061-02, 30192-10, -11, 31060-02 |
| 6B | 0038918 | | SWITCH,ROCKER,NGR,VENT,ROOF | FEATURE 06178-01 |
| 6C | 0038918 | | SWITCH,ROCKER,NGR,VENT,ROOF | FEATURE 06178-02 |
| 6D | 0027314 | | ROCKER,BUTTON,NGR,DOME,DRIVERS | |
| 6D | 0027285 | | SWITCH,BASE,NGR,SPST,ON-ON,HIGH | |
| 7A | 0027329 | | ROCKER,BUTTON,NGR,DOOR,EXIT | FEATURE 31061-01, -02 |
| 7A | 0027294 | | SWITCH,BASE,NGR,SPST,ON-ON,EXT IND | |
| 7B | 0037729 | | ROCKER,BUTTON,NGR,ENT DOOR | |
| 7B | 0027294 | | SWITCH,BASE,NGR,SPST,ON-ON,EXT IND | |
| 7B | 0054044 | | PANEL ASSY,SWITCH,DRV SI,REAR,W/MISC, | |
| 8A | 0027319 | | ROCKER,BUTTON,NGR,HEATER,PUMP | FEATURE 01345-02 |
| | | | | FEATURE 01345-02 |

Models: C4RE
PANEL ASSEMBLIES
SWITCH, DRIVER SIDE
BSN: From BSN F20053995

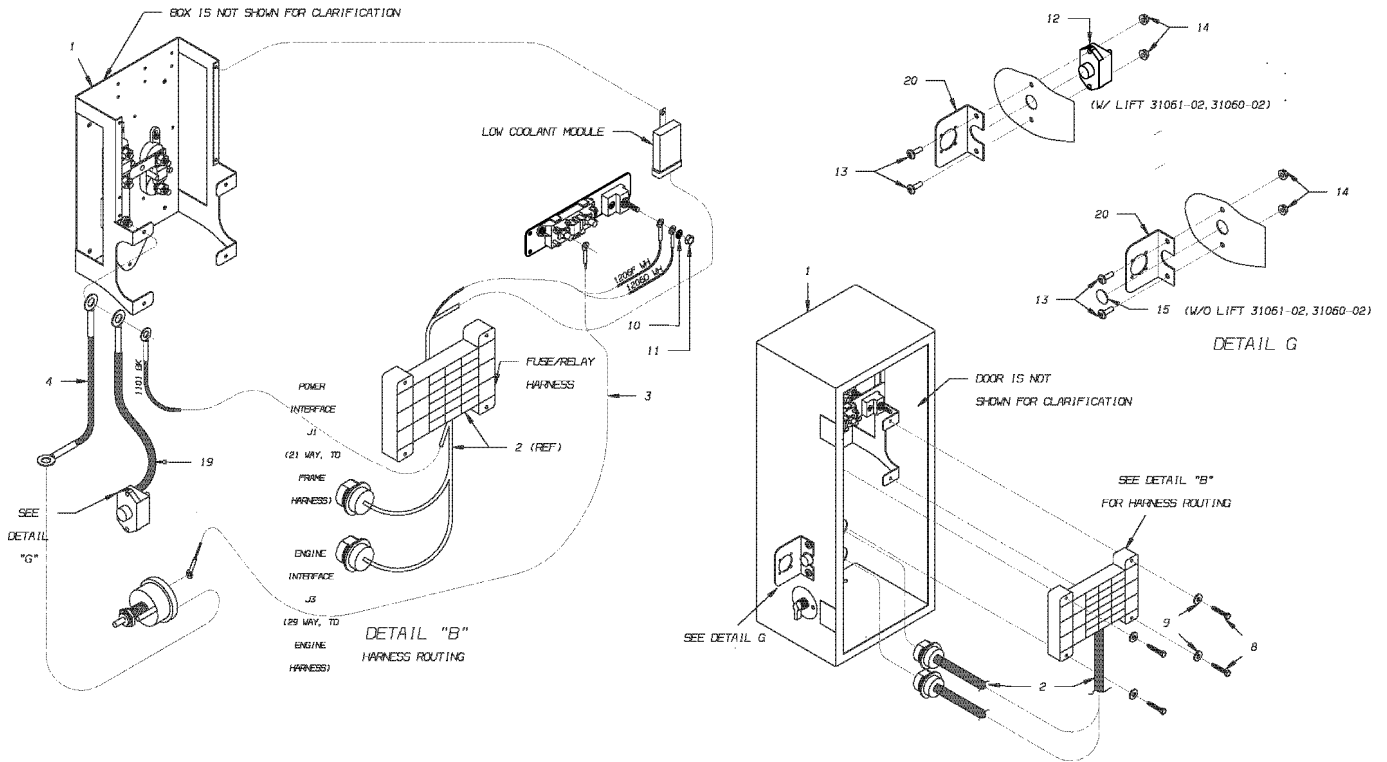
| Key | PartNumber | Qty | Description | Comment |
|-----|------------|-----|------------------------------------|------------------------------|
| 8B | 0027332 | | ROCKER,BUTTON,NGR,STEP DE-ICE | <i>FEATURE 01350-01, -02</i> |
| 8B | 0027294 | | SWITCH,BASE,NGR,SPST,ON-ON,EXT IND | <i>FEATURE 01350-01, -02</i> |
| 8C | 0055691 | | SWITCH,ROCKER,NGR,TALK BUS | <i>FEATURE 31140-11</i> |
| 8D | 0039858 | | SWITCH,ROCKER,NGR,FAN OVERRIDE | <i>FEATURE 30026</i> |

Models: C4RE
PDU, REAR
CAT 3126
INSTALLATION, BOX ASSY

| Key | PartNumber | Qty | Description | Comment |
|-----|------------|-----|-------------|---------|
|-----|------------|-----|-------------|---------|

| | | | | |
|--------------|--------|----------|-----|---|
| DR. 03/07/05 | BY TB | 00514261 | D |  |
| APP. | BY FRT | | REV | |

© BLUE BIRD BODY COMPANY. ALL RIGHTS RESERVED




Models: C4RE
 PDU, REAR
 CAT 3126
 INSTALLATION, BOX ASSY

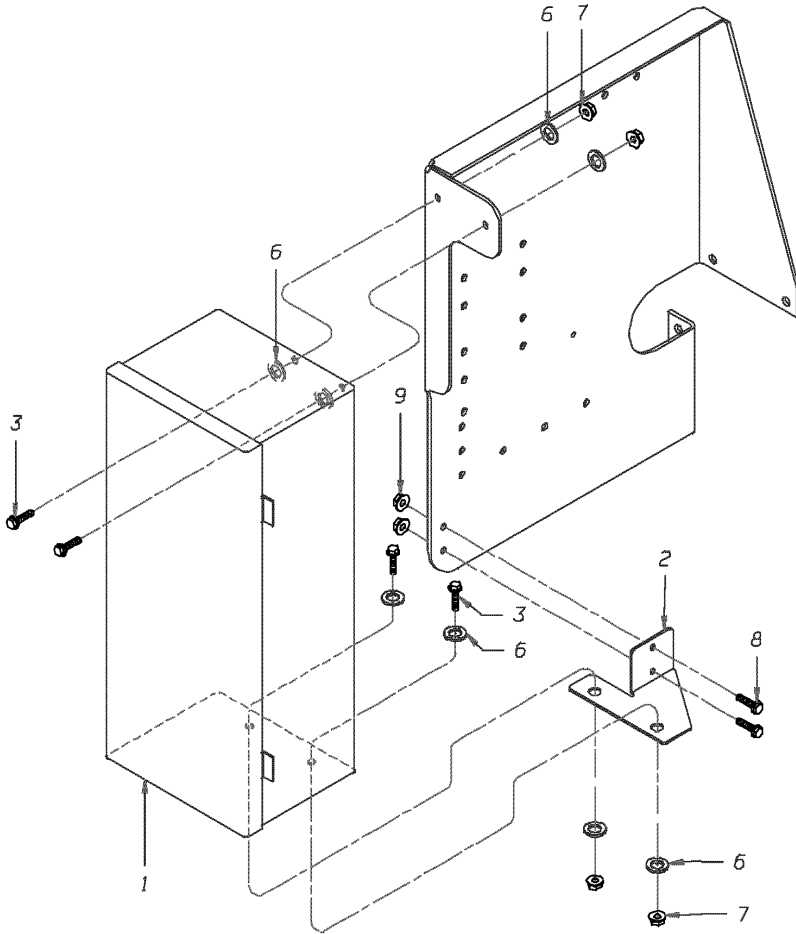
| Key | PartNumber | Qty | Description | Comment |
|-----|------------|-----|--|--|
| 1 | 0051428 | | PANEL ASSY,INTERMEDIATE,REAR,PDU,CAT, | |
| 2 | 0055676 | | HARNESS,WRG,PDU,CAT 3126 B, C4RE | |
| 3 | 0041123 | | CABLE ASSY,4 GA,.221 X .406 X 15 LONG | |
| 4 | 0041784 | | CABLE ASSY,3/0 ,.531 X .406 X 15 LONG | |
| NI | 0002220 | 4 | BOOT,HEAT SHRINKABLE,RAYCHEM CES-3 | |
| NI | 0002220 | | BOOT,HEAT SHRINKABLE,RAYCHEM CES-3 | |
| NI | 0006105 | | BOOT,HEAT SHRINKABLE,RAYCHEM,CE3-3-D1 | |
| 8 | 2000099 | 4 | SCREW,1/4-20 X 1-1/2,D,HEX HD,YEL ZN DICH" | |
| 9 | 1247709 | 4 | WASHER,FLAT,17/64 ID X,5/8,YEL ZN DICH | |
| 10 | 2001170 | | LOCKWASHER,SPLIT RING, 1/4 ,MED,YEL ZN | |
| 11 | 2001337 | | NUT,HEX HD,1/4-20,ZINC | |
| 12 | 0006422 | | BREAKER,CIR,MANUAL RESET,90 AMP | FEATURE 31061-02 OR 31060-02 WITHOUT 30192-10 |
| 12 | 0006423 | | BREAKER,CIR,MANUAL RESET,105 AMP | FEATURE 30192-10 |
| 13 | 1631613 | 2 | SCREW,MACH,1/4-20X1,PH1,TRUSS HD,YEL | |
| 14 | 0659979 | 2 | NUT,HEX,FLANGE SER,1/4-20,BLACK ZINC | |
| 15 | 0037406 | | CAP,PLUG,0.875 | |
| 16 | 2051902 | | SEALANT,SILICONE,BLACK,CARTRIDGE | |
| NI | 0002220 | | BOOT,HEAT SHRINKABLE,RAYCHEM CES-3 | FEATURE 31061-02, 38120-01, 30192-10, -11 |
| NI | 0041120 | | CAP,PLUG,1.375 | |
| 19 | 0007094 | | CABLE ASSY,1 GA,.406 X .281 X 18 | FEATURE 31061-02, 31060-02 |
| 20 | 0046498 | | BRACKET,MTG,DIAGNOSTIC, C4RE | |

Models: C4RE
 PDU, REAR
 CAT 3126
 MOUNTING, BOX ASSY

| Key | PartNumber | Qty | Description | Comment |
|-----|------------|-----|-------------|---------|
|-----|------------|-----|-------------|---------|

| | | | | |
|--------------|-------|----------|-----|---|
| DR. 03/10/03 | BY TB | 00514262 | D |  |
| APP. | BY | FRT | REV | |

© BLUE BIRD BODY COMPANY. ALL RIGHTS RESERVED

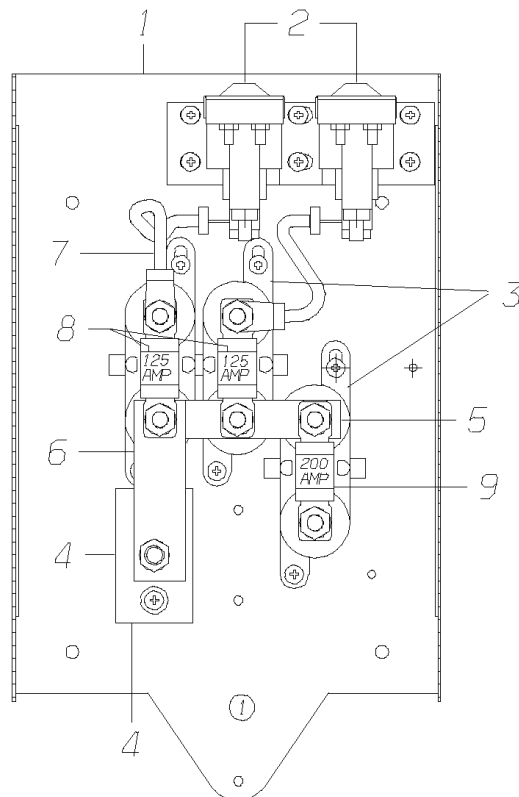
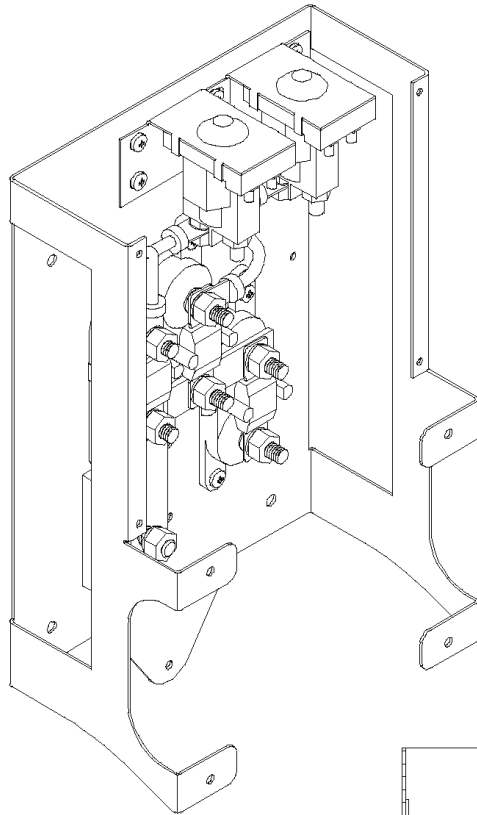


Models: C4RE
 PDU, REAR
 CAT 3126
 MOUNTING, BOX ASSY

| Key | PartNumber | Qty | Description | Comment |
|-----|------------|-----|--|---------|
| 1 | 0051428 | | PANEL ASSY,INTERMEDIATE,REAR,PDU,CAT, | |
| 2 | 0061319 | | BRACKET,MTG,LOWER,REAR PDU BOX, C4RE | |
| 3 | 1339621 | 4 | CAPSCREW,HEX FLG,3/8-16X1.25,GR5,YEL | |
| 6 | 1328632 | 8 | WASHER,FLAT,.06 X .406 ID X 1.125 OD,BLK | |
| 7 | 0839027 | 4 | NUT,HEX HD,3/8-16,GR G,SM FLG LK,YEL | |
| 8 | 1435023 | 2 | CAPSCREW,HEX HD,5/16-18, X, 3/4,GR5, | |
| 9 | 0829390 | 2 | NUT,HEX HD,5/16-18,SER WASHER,YEL ZN | |

Models: C4RE
 PDU, REAR
 CUMMINS ISC
 REAR PANEL ASSY
With: FEATURE 40184

| Key | PartNumber | Qty | Description | Comment |
|-----|------------|-----|-------------|---------|
|-----|------------|-----|-------------|---------|

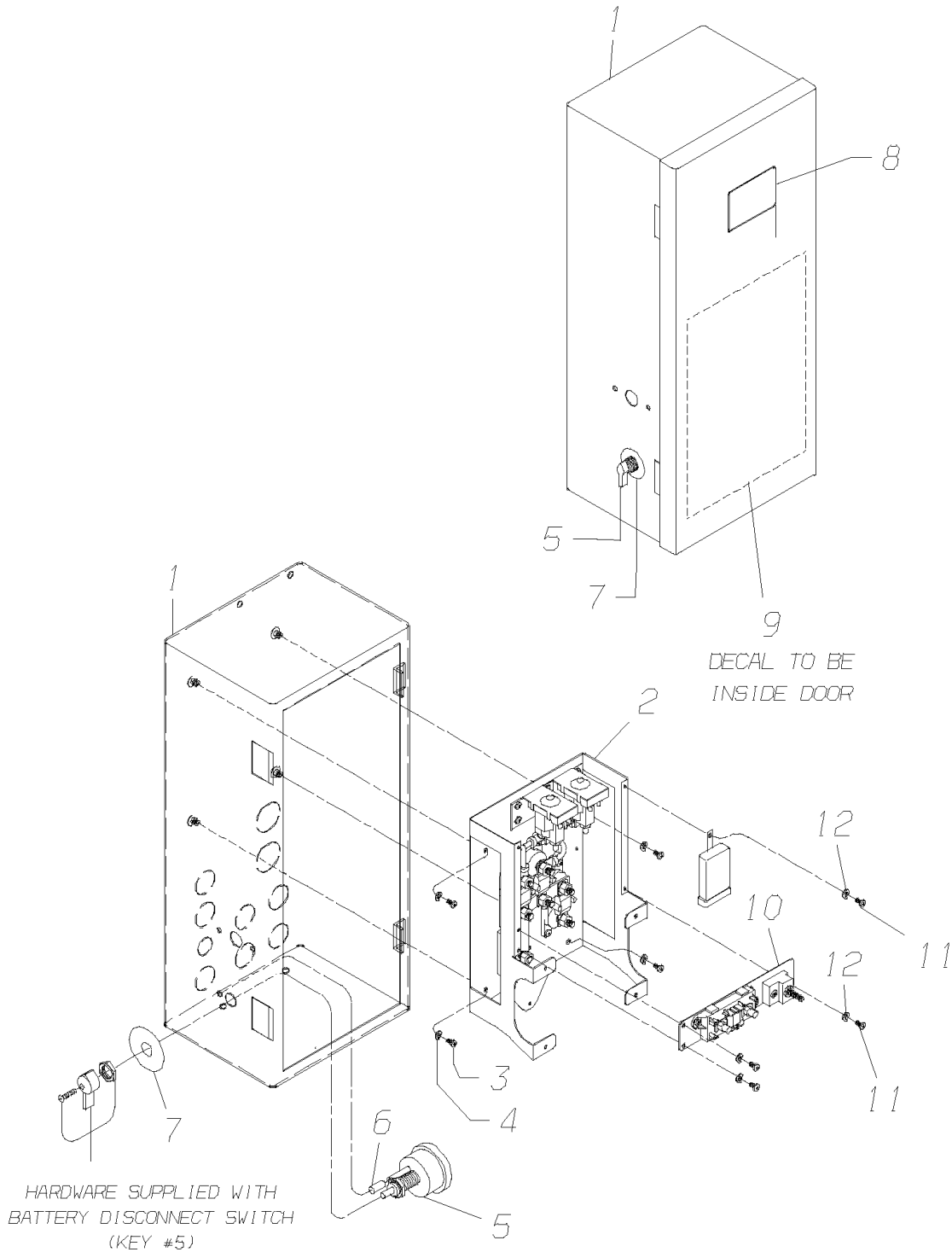


Models: C4RE
PDU, REAR
CUMMINS ISC
REAR PANEL ASSY
With: FEATURE 40184

| Key | PartNumber | Qty | Description | Comment |
|-----|------------|-----|---------------------------------------|---------|
| 1 | 0040963 | | PANEL,INNER REAR,PDU, C4RE,H4RE | |
| 2 | 1950559 | 2 | RELAY,POWER,GRID HEATER | |
| | 1334689 | 6 | SCREW,10-32 X 3/8,F,PH1,PAN HD,YEL ZN | |
| 3 | 0043235 | 3 | HOLDER,FUSE,MEGA,BUSSMANN" | |
| | 1334689 | 6 | SCREW,10-32 X 3/8,F,PH1,PAN HD,YEL ZN | |
| 4 | 0553131 | | STUD,TERMINAL,BAT CABLE JUNCTION,NO | |
| | 1812239 | 2 | SCREW,10-32 X 3/4,F,PH1,PAN HD,ZN | |
| | 0882795 | | LOCKWASHER,SPLIT RING,3/8,MED,YELLOW | |
| | 2001451 | | NUT,HEX HD,3/8-16,YELLOW DICHROMATE | |
| 5 | 0041125 | | BUSBAR,COPPER,.75 X 4.00 W/3 HOLES | |
| 6 | 0041126 | | BUS BAR,1.00 X 3.50 W/2 HOLES | |
| 7 | 0007363 | 2 | HARNESS,WRG,GRID HEATER,FUSED POWER | |
| 8 | 0006151 | 2 | FUSE,MEGA,125 AMP | |
| 9 | 1864362 | | FUSE,MEGA,200 AMP | |

Models: C4RE
PDU, REAR
CUMMINS ISC (8.3)
BOX ASSY
With: FEATURE 40184

| Key | PartNumber | Qty | Description | Comment |
|-----|------------|-----|-------------|---------|
|-----|------------|-----|-------------|---------|




Models: C4RE
PDU, REAR
CUMMINS ISC (8.3)
BOX ASSY
With: FEATURE 40184

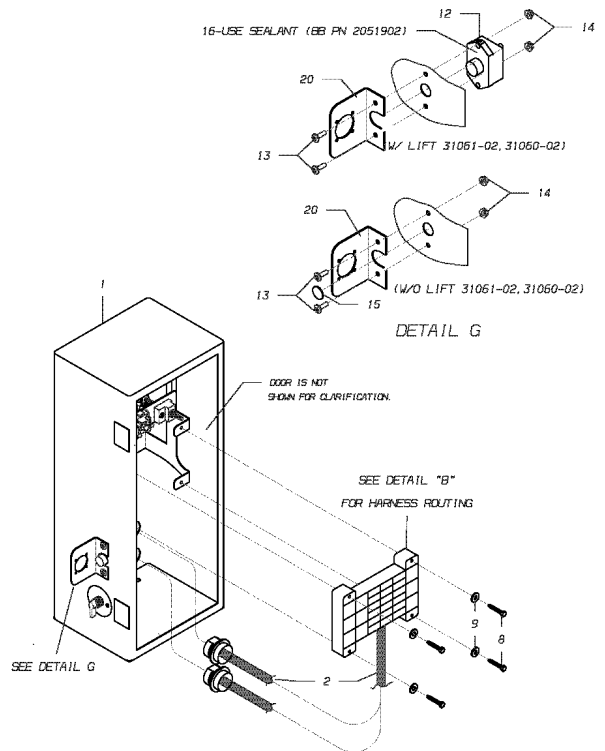
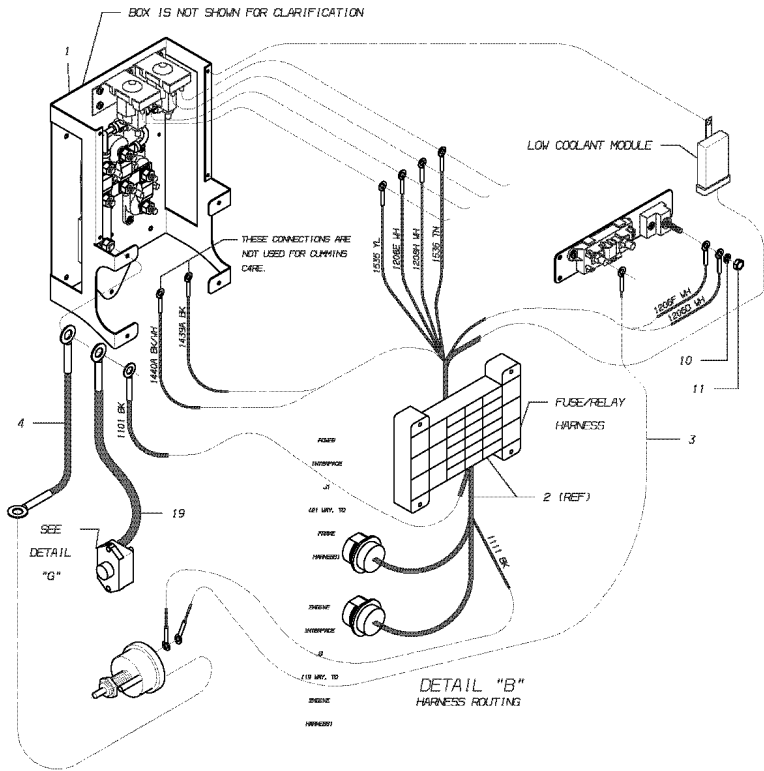
| Key | PartNumber | Qty | Description | Comment |
|-----|------------|-----|---|---------|
| 1 | 0039608 | | BOX,REAR PDU, C4RE,H4RE | |
| 2 | 0041150 | | PANEL ASSY,INNER REAR,PDU,CUMMINS, C4RE | |
| 3 | 3754728 | 4 | SCREW,MACH,10-32 X 3/8,PH1,PAN HD, | |
| 4 | 2001162 | 4 | LOCKWASHER,SPLIT RING, 3/16,MED,YEL ZN | |
| 5 | 1902337 | | SWITCH,DISCONNECT,BATTERY,DOUBLE POLE | |
| 6 | 1797802 | | HOSE,.25 ID X .50 OD,W-H H00904 | |
| 7 | 0006304 | | FACE PLATE,BATTERY SWITCH,DOUBLE POLE | |
| 8 | 0042939 | | DECAL,PDU BOX, C4RE/H4RE | |
| 9 | 0042170 | | DECAL,REAR,PDU,CUMMINS, C4RE | |
| 10 | 0041128 | | PANEL ASSY,MTG,ELEC COMPONENTS, C4RE | |
| 11 | 1334689 | 4 | SCREW,10-32 X 3/8,F,PH1,PAN HD,YEL ZN | |
| 12 | 2001162 | 4 | LOCKWASHER,SPLIT RING, 3/16,MED,YEL ZN | |
| 13 | 0026267 | | MODULE,COOLANT LEVEL | |

Models: C4RE
PDU, REAR
CUMMINS ISC (8.3)
INSTALLATION, BOX ASSY
With: FEATURE 40184

| Key | PartNumber | Qty | Description | Comment |
|-----|------------|-----|-------------|---------|
|-----|------------|-----|-------------|---------|

| | | | | |
|--------------|-------|----------|-----|---|
| DR. 03/07/05 | BY TB | 00425261 | E |  |
| APP. | BY PH | | REV | |

© BLUE BIRD BODY COMPANY. ALL RIGHTS RESERVED



Models: C4RE
PDU, REAR
CUMMINS ISC (8.3)
INSTALLATION, BOX ASSY
With: FEATURE 40184

| Key | PartNumber | Qty | Description | Comment |
|-----|------------|-----|--|------------------------------|
| 1 | 0041153 | | PANEL ASSY,INTERMEDIATE,REAR,PDU,CUMN, | |
| NI | 0042170 | | DECAL,REAR,PDU,CUMMINS, C4RE | |
| 2 | 0037417 | | HARNES,WRG,PDU,REAR,CUMMINS,C4RE, | |
| 3 | 0041123 | | CABLE ASSY,4 GA,.221 X .406 X 15 LONG | |
| 4 | 0041784 | | CABLE ASSY,3/0 ,.531 X .406 X 15 LONG | |
| NI | 0002220 | 3 | BOOT,HEAT SHRINKABLE,RAYCHEM CES-3 | |
| NI | 0006105 | 3 | BOOT,HEAT SHRINKABLE,RAYCHEM,CE3-3-D1 | |
| 8 | 2000099 | 4 | SCREW,1/4-20 X 1-1/2,D,HEX HD,YEL ZN DICH" | |
| 9 | 1247709 | 4 | WASHER,FLAT,17/64 ID X,5/8,YEL ZN DICH | |
| 10 | 2001170 | | LOCKWASHER,SPLIT RING, 1/4 ,MED,YEL ZN | |
| 11 | 2001337 | | NUT,HEX HD,1/4-20,ZINC | |
| 12 | 0006422 | | BREAKER,CIR,MANUAL RESET,90 AMP | FEATURE 31061-02 |
| 12 | 0006423 | | BREAKER,CIR,MANUAL RESET,105 AMP | FEATURE 30192-10 |
| 13 | 1631613 | 2 | SCREW,MACH,1/4-20X1,PH1,TRUSS HD,YEL | |
| 14 | 0659979 | 2 | NUT,HEX,FLANGE SER,1/4-20,BLACK ZINC | |
| 15 | 0037406 | | CAP,PLUG,0.875 | WITHOUT FEATURE 31061-02 |
| NI | 2051902 | | SEALANT,SILICONE,BLACK,CARTRIDGE | |
| NI | 0041120 | | CAP,PLUG,1.375 | |
| 19 | 0041123 | | CABLE ASSY,4 GA,.221 X .406 X 15 LONG | FEATURE 31061-02 |
| 19 | 0007094 | | CABLE ASSY,1 GA,.406 X .281 X 18 | FEATURE 31061-02 OR 31060-02 |
| 20 | 0046498 | | BRACKET,MTG,DIAGNOSTIC, C4RE | |

Models: C4RE
PDU, REAR
CUMMINS ISC (8.3)
MOUNTING, BOX ASSY
With: FEATURE 40184

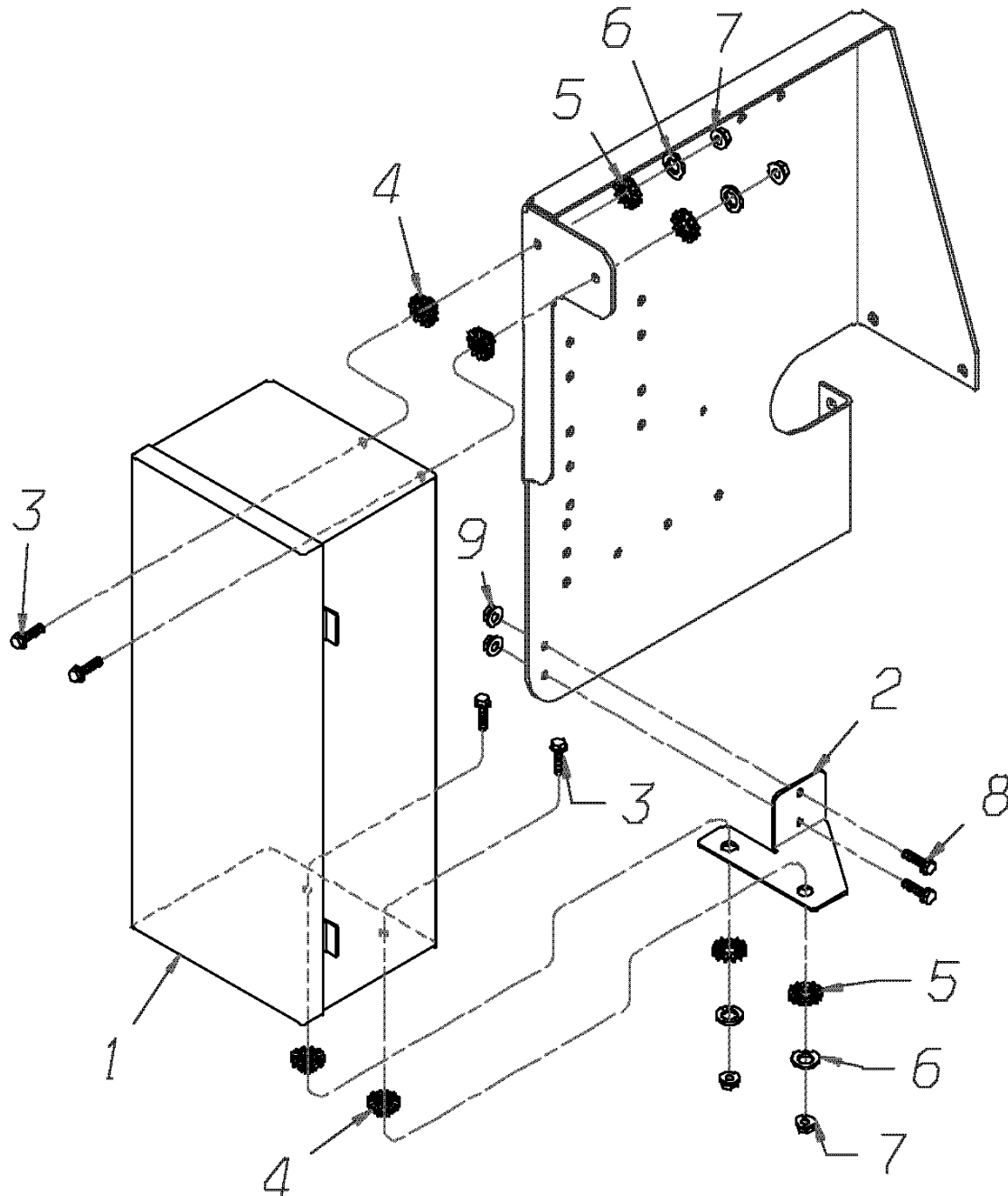
| Key | PartNumber | Qty | Description | Comment |
|-----|------------|-----|-------------|---------|
|-----|------------|-----|-------------|---------|

| | | | | |
|--------------|--------|-----|----------|-----|
| DR. 02/06/02 | BY TFM | | 00425262 | A |
| APP. | BY | FRT | | REV |



© BLUE BIRD BODY COMPANY. ALL RIGHTS RESERVED

BLUE BIRD

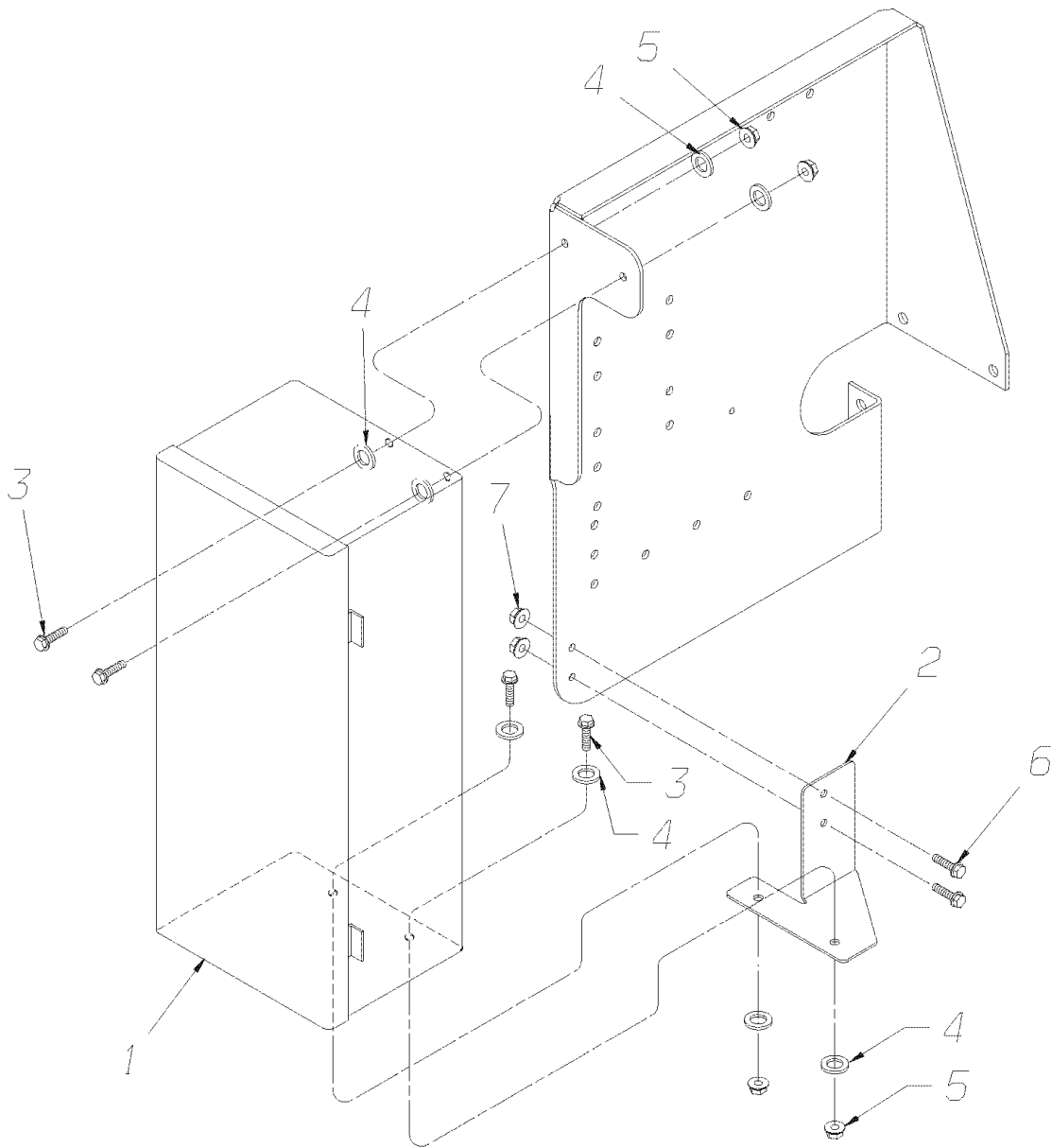


Models: C4RE
PDU, REAR
CUMMINS ISC (8.3)
MOUNTING, BOX ASSY
With: FEATURE 40184

| Key | PartNumber | Qty | Description | Comment |
|-----|------------|-----|--|----------------------------------|
| 1 | 0041153 | | PANEL ASSY,INTERMEDIATE,REAR,PDU,CUMN, | |
| NI | 0042170 | | DECAL,REAR,PDU,CUMMINS, C4RE | |
| 2 | 0039391 | | BRACKET,MTG,REAR BOX,LOWER, C4RE | <i>ENDING WITH BSN F20054694</i> |
| 2 | 0061319 | | BRACKET,MTG,LOWER,REAR PDU BOX, C4RE | <i>BEGIN WITH BSN F20054695</i> |
| 3 | 1339621 | 4 | CAPSCREW,HEX FLG,3/8-16X1.25,GR5,YEL | |
| 4 | 0041840 | 4 | BUSHING,MOUNT,WB-3 | <i>ENDING WITH BSN F20054694</i> |
| 5 | 0041839 | 4 | RING,MOUNT,WR-3 | <i>ENDING WITH BSN F20054694</i> |
| 6 | 1328632 | 4 | WASHER,FLAT,.06 X .406 ID X 1.125 OD,BLK | |
| 7 | 0839027 | 4 | NUT,HEX HD,3/8-16,GR G,SM FLG LK,YEL | |
| 8 | 1435023 | 2 | CAPSCREW,HEX HD,5/16-18, X, 3/4,GR5, | |
| 9 | 0829390 | 2 | NUT,HEX HD,5/16-18,SER WASHER,YEL ZN | |

Models: C4RE
PDU, REAR
CUMMINS ISC 03/05
With: PANEL ASSY INSTALLATION
FEATURE 40184

| Key | PartNumber | Qty | Description | Comment |
|-----|------------|-----|-------------|---------|
|-----|------------|-----|-------------|---------|

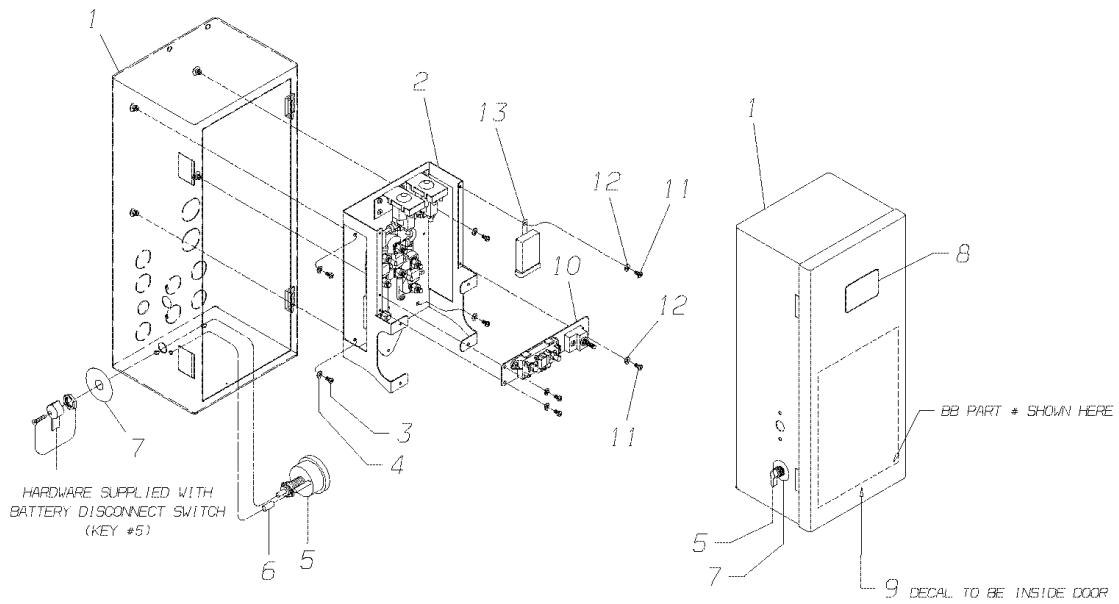


Models: C4RE
PDU, REAR
CUMMINS ISC 03/05
PANEL ASSY INSTALLATION
With: FEATURE 40184

| Key | PartNumber | Qty | Description | Comment |
|-----|------------|-----|--|---------|
| 1 | 0067603 | | PANEL ASSY,REAR,PDU,CUM ISCO5,W/RICON | |
| 1 | 0067602 | | PANEL ASSY,REAR,PDU,CUMMINS ISCO5,W/O | |
| 2 | 0061319 | | BRACKET,MTG,LOWER,REAR PDU BOX, C4RE | |
| 3 | 1339621 | 4 | CAPSCREW,HEX FLG,3/8-16X1.25,GR5,YEL | |
| 4 | 1328632 | 8 | WASHER,FLAT,.06 X .406 ID X 1.125 OD,BLK | |
| 5 | 0839027 | 4 | NUT,HEX HD,3/8-16,GR G,SM FLG LK,YEL | |
| 6 | 1435023 | 2 | CAPSCREW,HEX HD,5/16-18, X, 3/4,GR5, | |
| 7 | 0829390 | 2 | NUT,HEX HD,5/16-18,SER WASHER,YEL ZN | |

Models: C4RE
PDU, REAR
CUMMINS ISC 03/05
PANEL ASSY INTERMEDIATE
With: FEATURE 40184-08, -09

| Key | PartNumber | Qty | Description | Comment |
|-----|------------|-----|-------------|---------|
|-----|------------|-----|-------------|---------|

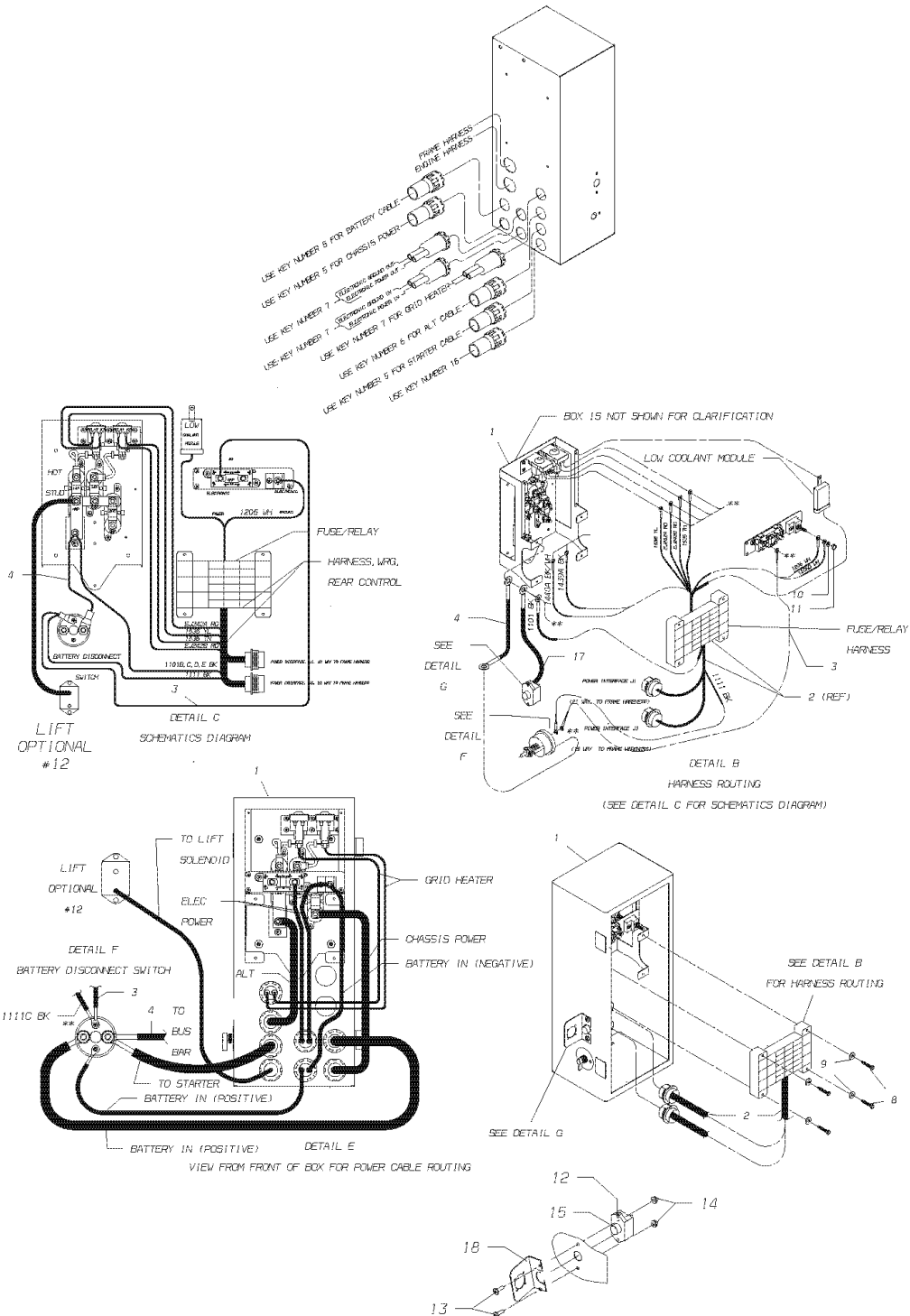


Models: C4RE
PDU, REAR
CUMMINS ISC 03/05
PANEL ASSY INTERMEDIATE
With: FEATURE 40184-08, -09

| Key | PartNumber | Qty | Description | Comment |
|-----|------------|-----|---|---------|
| 1 | 0039608 | | BOX,REAR PDU, C4RE,H4RE | |
| 2 | 0041150 | | PANEL ASSY,INNER REAR,PDU,CUMMINS, C4RE | |
| 3 | 3754728 | 4 | SCREW,MACH,10-32 X 3/8,PH1,PAN HD, | |
| 4 | 2001162 | 4 | LOCKWASHER,SPLIT RING, 3/16,MED,YEL ZN | |
| 5 | 1902337 | | SWITCH,DISCONNECT,BATTERY,DOUBLE POLE | |
| 6 | 1797802 | | HOSE,.25 ID X .50 OD,W-H H00904 | |
| 7 | 0006304 | | FACE PLATE,BATTERY SWITCH,DOUBLE POLE | |
| 8 | 0042939 | | DECAL,PDU BOX, C4RE/H4RE | |
| 9 | 0067606 | | DECAL,REAR,PDU,CUMMINS ISCO5, C4RE | |
| 9 | 0103425 | | DECAL,REAR,PDU,CUMMINS ISC05,DILL BLOX | |
| 10 | 0041128 | | PANEL ASSY,MTG,ELEC COMPONENTS, C4RE | |
| 11 | 1334689 | 4 | SCREW,10-32 X 3/8,F,PH1,PAN HD,YEL ZN | |
| 12 | 2001162 | 4 | LOCKWASHER,SPLIT RING, 3/16,MED,YEL ZN | |
| 13 | 0026267 | | MODULE,COOLANT LEVEL | |

Models: C4RE
PDU, REAR
CUMMINS ISC 03/05
WITH BRAUN LIFT
With: FEATURE 40184-08, -09 WITH 30192-10

| Key | PartNumber | Qty | Description | Comment |
|-----|------------|-----|-------------|---------|
|-----|------------|-----|-------------|---------|



Models: C4RE
PDU, REAR
CUMMINS ISC 03/05
WITH BRAUN LIFT
With: FEATURE 40184-08, -09 WITH 30192-10

| Key | PartNumber | Qty | Description | Comment |
|-----|------------|-----|--|---------|
| 1 | 0067605 | | PANEL ASSY,INTER,REAR,PDU,CUMMINS ISCO5 | |
| 2 | 0067607 | | HARNES,WRG,PDU,REAR,CUMMINS ISCO5, | |
| 3 | 0041123 | | CABLE ASSY,4 GA,.221 X .406 X 15 LONG | |
| 4 | 0041784 | | CABLE ASSY,3/0 ,.531 X .406 X 15 LONG | |
| 5 | 0002220 | 3 | BOOT,HEAT SHRINKABLE,RAYCHEM CES-3 | |
| 6 | 0002220 | | BOOT,HEAT SHRINKABLE,RAYCHEM CES-3 | |
| 7 | 0006105 | 3 | BOOT,HEAT SHRINKABLE,RAYCHEM,CE3-3-D1 | |
| 8 | 2000099 | 4 | SCREW,1/4-20 X 1-1/2,D,HEX HD,YEL ZN DICH" | |
| 9 | 1247709 | 4 | WASHER,FLAT,17/64 ID X,5/8,YEL ZN DICH | |
| 10 | 2001170 | | LOCKWASHER,SPLIT RING, 1/4 ,MED,YEL ZN | |
| 11 | 2001337 | | NUT,HEX HD,1/4-20,ZINC | |
| 12 | 0006423 | | BREAKER,CIR,MANUAL RESET,105 AMP | |
| 13 | 1631613 | 2 | SCREW,MACH,1/4-20X1,PH1,TRUSS HD,YEL | |
| 14 | 0659979 | 2 | NUT,HEX,FLANGE SER,1/4-20,BLACK ZINC | |
| 15 | 2051902 | AR | SEALANT,SILICONE,BLACK,CARTRIDGE | |
| 16 | 0002220 | | BOOT,HEAT SHRINKABLE,RAYCHEM CES-3 | |
| 17 | 0007094 | | CABLE ASSY,1 GA,.406 X .281 X 18 | |
| 18 | 0046498 | | BRACKET,MTG,DIAGNOSTIC, C4RE | |

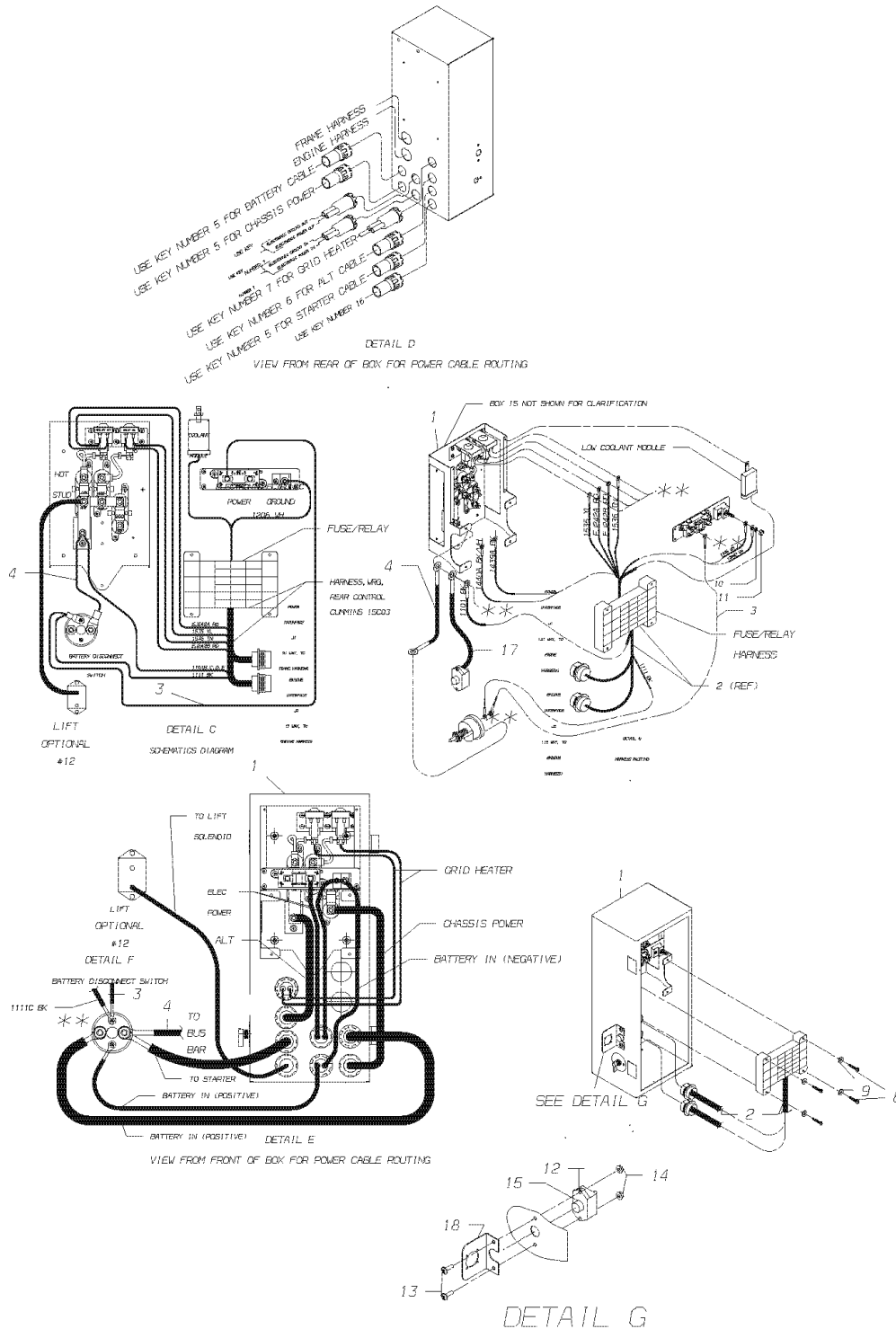
Models: C4RE
PDU, REAR
CUMMINS ISC 03/05
WITH OUT LIFT
With: FEATURE 40184-08, -09

| Key | PartNumber | Qty | Description | Comment |
|-----|------------|-----|--|---------|
| 1 | 0067605 | | PANEL ASSY,INTER,REAR,PDU,CUMMINS ISCO5 | |
| 2 | 0067607 | | HARNES,WRG,PDU,REAR,CUMMINS ISCO5, | |
| 3 | 0041123 | | CABLE ASSY,4 GA,.221 X .406 X 15 LONG | |
| 4 | 0041784 | | CABLE ASSY,3/0 ,.531 X .406 X 15 LONG | |
| 5 | 0002220 | 3 | BOOT,HEAT SHRINKABLE,RAYCHEM CES-3 | |
| 6 | 0002220 | | BOOT,HEAT SHRINKABLE,RAYCHEM CES-3 | |
| 7 | 0006105 | 3 | BOOT,HEAT SHRINKABLE,RAYCHEM,CE3-3-D1 | |
| 8 | 2000099 | 4 | SCREW,1/4-20 X 1-1/2,D,HEX HD,YEL ZN DICH" | |
| 9 | 1247709 | 4 | WASHER,FLAT,17/64 ID X,5/8,YEL ZN DICH | |
| 10 | 2001170 | | LOCKWASHER,SPLIT RING, 1/4 ,MED,YEL ZN | |
| 11 | 2001337 | | NUT,HEX HD,1/4-20,ZINC | |
| 12 | 1631613 | 2 | SCREW,MACH,1/4-20X1,PH1,TRUSS HD,YEL | |
| 13 | 0659979 | 2 | NUT,HEX,FLANGE SER,1/4-20,BLACK ZINC | |
| 14 | 0037406 | | CAP,PLUG,0.875 | |
| 15 | 0041120 | | CAP,PLUG,1.375 | |
| 16 | 0046498 | | BRACKET,MTG,DIAGNOSTIC, C4RE | |

**Models: C4RE
PDU, REAR
CUMMINS ISC 03/05
WITH RICON LIFT**

With: FEATURE 40184-08, -09, WITH 38120-01, 30192-11

| Key | PartNumber | Qty | Description | Comment |
|-----|------------|-----|-------------|---------|
|-----|------------|-----|-------------|---------|

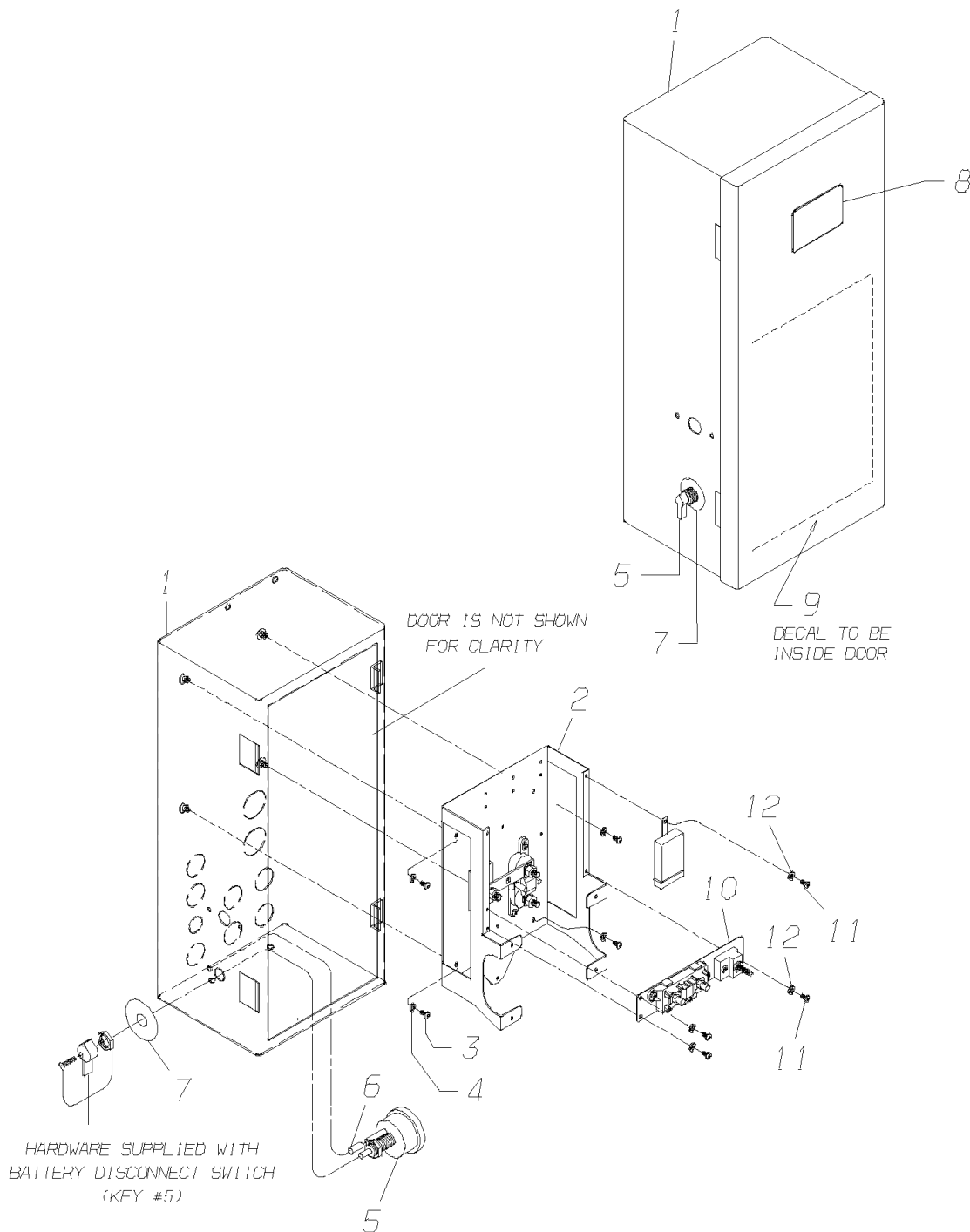


Models: C4RE
PDU, REAR
CUMMINS ISC 03/05
WITH RICON LIFT
With: FEATURE 40184-08, -09, WITH 38120-01, 30192-11

| Key | PartNumber | Qty | Description | Comment |
|-----|------------|-----|--|---------|
| 1 | 0067605 | | PANEL ASSY,INTER,REAR,PDU,CUMMINS ISCO5 | |
| 2 | 0067607 | | HARNES,WRG,PDU,REAR,CUMMINS ISCO5, | |
| 3 | 0041123 | | CABLE ASSY,4 GA,.221 X .406 X 15 LONG | |
| 4 | 0041784 | | CABLE ASSY,3/0 ,.531 X .406 X 15 LONG | |
| 5 | 0002220 | 3 | BOOT,HEAT SHRINKABLE,RAYCHEM CES-3 | |
| 6 | 0002220 | | BOOT,HEAT SHRINKABLE,RAYCHEM CES-3 | |
| 7 | 0006105 | 3 | BOOT,HEAT SHRINKABLE,RAYCHEM,CE3-3-D1 | |
| 8 | 2000099 | 4 | SCREW,1/4-20 X 1-1/2,D,HEX HD,YEL ZN DICH" | |
| 9 | 1247709 | 4 | WASHER,FLAT,17/64 ID X,5/8,YEL ZN DICH | |
| 10 | 2001170 | | LOCKWASHER,SPLIT RING, 1/4 ,MED,YEL ZN | |
| 11 | 2001337 | | NUT,HEX HD,1/4-20,ZINC | |
| 12 | 0006423 | | BREAKER,CIR,MANUAL RESET,105 AMP | |
| 13 | 1631613 | 2 | SCREW,MACH,1/4-20X1,PH1,TRUSS HD,YEL | |
| 14 | 0659979 | 2 | NUT,HEX,FLANGE SER,1/4-20,BLACK ZINC | |
| 15 | 2051902 | AR | SEALANT,SILICONE,BLACK,CARTRIDGE | |
| 16 | 0002220 | | BOOT,HEAT SHRINKABLE,RAYCHEM CES-3 | |
| 17 | 0007094 | | CABLE ASSY,1 GA,.406 X .281 X 18 | |
| 18 | 0046498 | | BRACKET,MTG,DIAGNOSTIC, C4RE | |

Models: C4RE
 PDU, REAR
 JOHN DEERE (8.1)
 BOX ASSY
With: FEATURE 40181

| Key | PartNumber | Qty | Description | Comment |
|-----|------------|-----|-------------|---------|
|-----|------------|-----|-------------|---------|

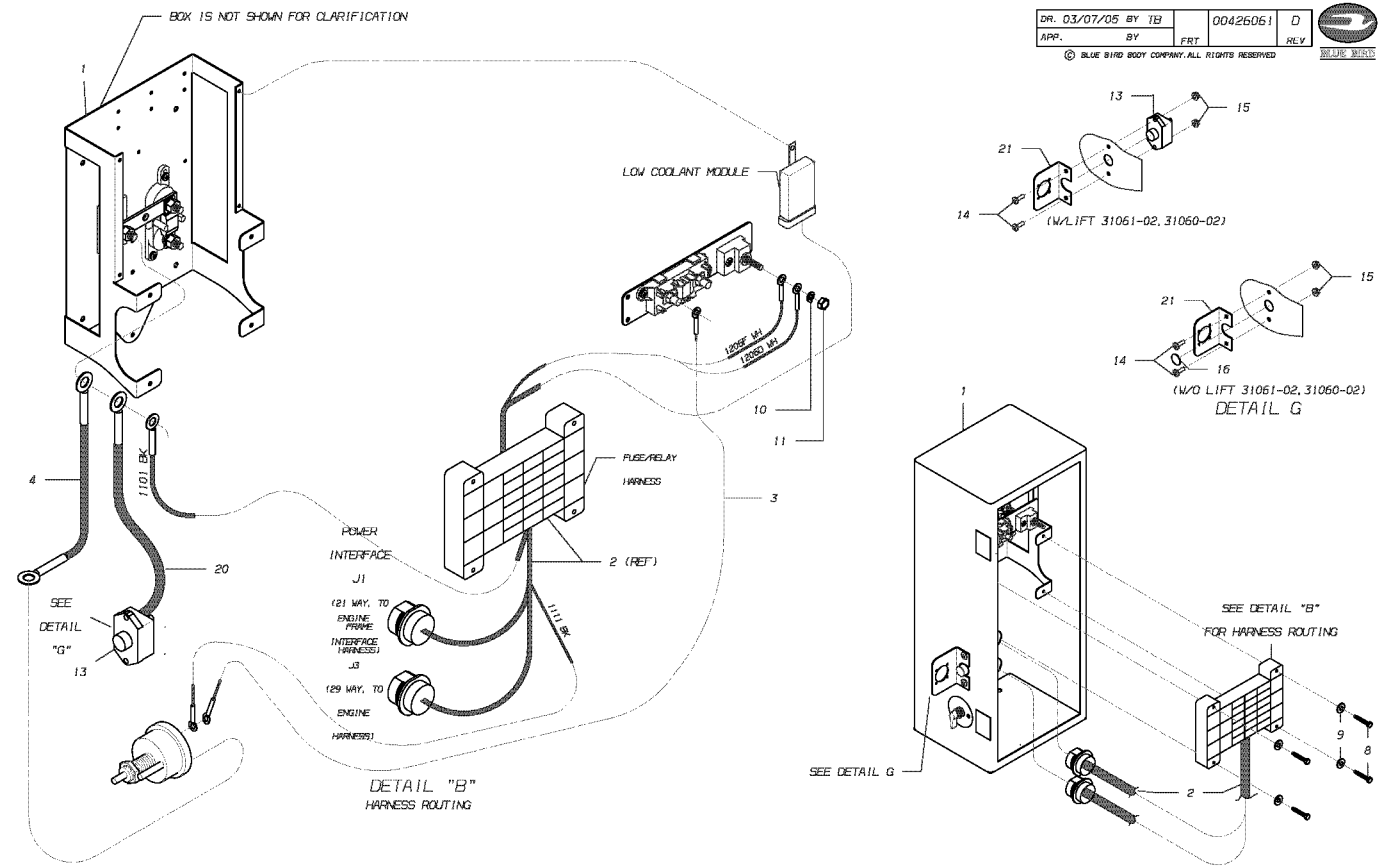


Models: C4RE
PDU, REAR
JOHN DEERE (8.1)
BOX ASSY
With: FEATURE 40181

| Key | PartNumber | Qty | Description | Comment |
|-----|------------|-----|--|---------|
| 1 | 0039608 | | BOX,REAR PDU, C4RE,H4RE | |
| 2 | 0041151 | | PANEL ASSY,INNER REAR,PDU,JD, C4RE | |
| 3 | 3754728 | 4 | SCREW,MACH,10-32 X 3/8,PH1,PAN HD, | |
| 4 | 2001162 | 4 | LOCKWASHER,SPLIT RING, 3/16,MED,YEL ZN | |
| 5 | 1902337 | | SWITCH,DISCONNECT,BATTERY,DOUBLE POLE | |
| 6 | 1797802 | | HOSE,.25 ID X .50 OD,W-H H00904 | |
| 7 | 0006304 | | FACE PLATE,BATTERY SWITCH,DOUBLE POLE | |
| 8 | 0042939 | | DECAL,PDU BOX, C4RE/H4RE | |
| 9 | 0042171 | | DECAL,REAR,PDU,JOHN DEERE, C4RE | |
| 10 | 0041128 | | PANEL ASSY,MTG,ELEC COMPONENTS, C4RE | |
| 11 | 1334689 | 4 | SCREW,10-32 X 3/8,F,PH1,PAN HD,YEL ZN | |
| 12 | 2001162 | 4 | LOCKWASHER,SPLIT RING, 3/16,MED,YEL ZN | |
| 13 | 0026267 | | MODULE,COOLANT LEVEL | |

Models: C4RE
PDU, REAR
JOHN DEERE (8.1)
INSTALLATION, BOX ASSY
With: FEATURE 40181

| Key | PartNumber | Qty | Description | Comment |
|-----|------------|-----|-------------|---------|
|-----|------------|-----|-------------|---------|



Models: C4RE
PDU, REAR
JOHN DEERE (8.1)
INSTALLATION, BOX ASSY
With: FEATURE 40181

| Key | PartNumber | Qty | Description | Comment |
|-----|------------|-----|--|--|
| 1 | 0041154 | | PANEL ASSY,INTERMEDIATE,REAR,PDU,JD, | |
| 2 | 0045478 | | HARNESS,WRG,PDU,REAR,JD 8.1,C4RE | |
| 3 | 0041123 | | CABLE ASSY,4 GA,.221 X .406 X 15 LONG | |
| 4 | 0041784 | | CABLE ASSY,3/0 ,.531 X .406 X 15 LONG | |
| NI | 0002220 | 3 | BOOT,HEAT SHRINKABLE,RAYCHEM CES-3 | |
| NI | 0006105 | | BOOT,HEAT SHRINKABLE,RAYCHEM,CE3-3-D1 | |
| 8 | 2000099 | 4 | SCREW,1/4-20 X 1-1/2,D,HEX HD,YEL ZN DICH" | |
| 9 | 1247709 | 4 | WASHER,FLAT,17/64 ID X,5/8,YEL ZN DICH | |
| 10 | 2001170 | | LOCKWASHER,SPLIT RING, 1/4 ,MED,YEL ZN | |
| 11 | 2001337 | | NUT,HEX HD,1/4-20,ZINC | |
| 12 | 0041120 | 2 | CAP,PLUG,1.375 | |
| 13 | 0006422 | | BREAKER,CIR,MANUAL RESET,90 AMP | WITH FEATURE 31061-02 |
| 13 | 0006423 | | BREAKER,CIR,MANUAL RESET,105 AMP | WITH FEATURE 30192-10 |
| 14 | 1631613 | 2 | SCREW,MACH,1/4-20X1,PH1,TRUSS HD,YEL | |
| 15 | 0659979 | 2 | NUT,HEX,FLANGE SER,1/4-20,BLACK ZINC | |
| 16 | 0037406 | | CAP,PLUG,0.875 | WITHOUT FEATURE 31061-02 or 31060-02 |
| NI | 2051902 | | SEALANT,SILICONE,BLACK,CARTRIDGE | |
| NI | 0002220 | | BOOT,HEAT SHRINKABLE,RAYCHEM CES-3 | WITH FEATURE 31061-02 |
| NI | 0041120 | | CAP,PLUG,1.375 | WITHOUT FEATURE 31061-02 or 38120-01 or 30192-10,-11 |
| 20 | 0041123 | | CABLE ASSY,4 GA,.221 X .406 X 15 LONG | WITH FEATURE 31061-02 |
| 20 | 0007094 | | CABLE ASSY,1 GA,.406 X .281 X 18 | WITH FEATURE 31061-02, 31060-02 |
| 21 | 0046498 | | BRACKET,MTG,DIAGNOSTIC, C4RE | |

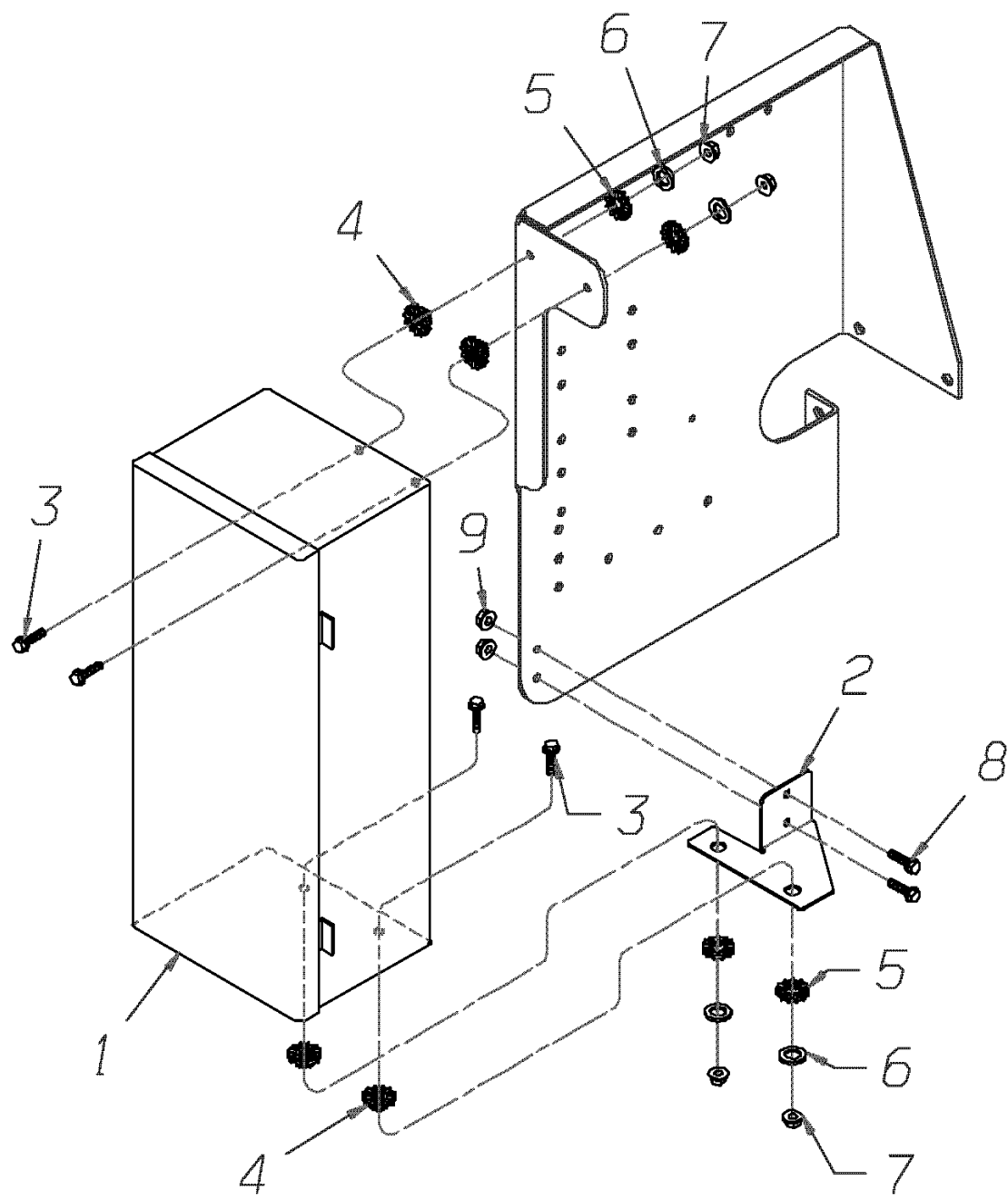
Models: C4RE
PDU, REAR
JOHN DEERE (8.1)
MOUNTING, BOX ASSY
With: FEATURE 40181

| Key | PartNumber | Qty | Description | Comment |
|-----|------------|-----|-------------|---------|
|-----|------------|-----|-------------|---------|

| | | | | |
|--------------|--------|-----|----------|-----|
| DR. 02/06/02 | BY TFM | | 00426062 | A |
| APP. | BY | FRT | | REV |



© BLUE BIRD BODY COMPANY. ALL RIGHTS RESERVED

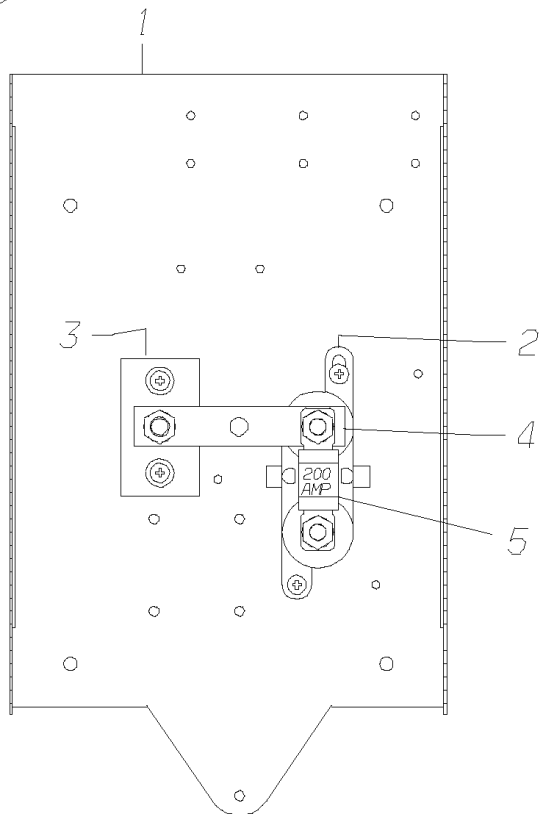
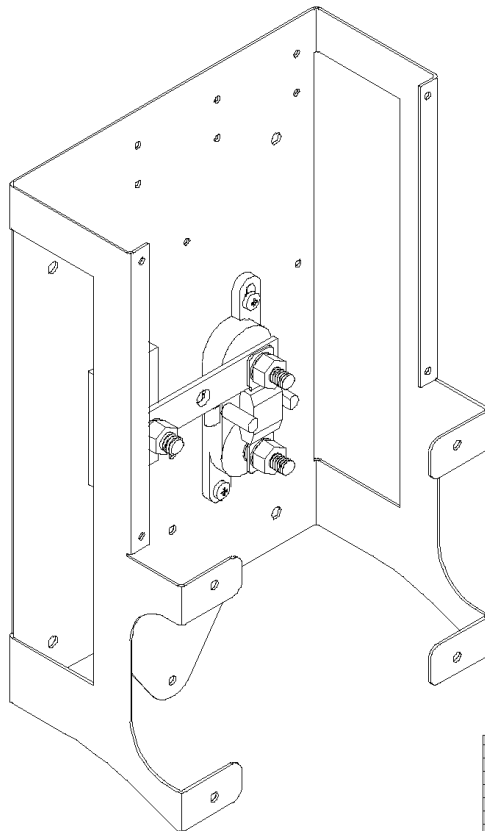


Models: C4RE
PDU, REAR
JOHN DEERE (8.1)
MOUNTING, BOX ASSY
With: FEATURE 40181

| Key | PartNumber | Qty | Description | Comment |
|-----|------------|-----|--|----------------------------------|
| 1 | 0041154 | | PANEL ASSY,INTERMEDIATE,REAR,PDU,JD, | |
| 2 | 0039391 | | BRACKET,MTG,REAR BOX,LOWER, C4RE | <i>ENDING WITH BSN F20054694</i> |
| 2 | 0061319 | | BRACKET,MTG,LOWER,REAR PDU BOX, C4RE | <i>BEGIN WITH BSN F20054695</i> |
| 3 | 1339621 | 4 | CAPSCREW,HEX FLG,3/8-16X1.25,GR5,YEL | |
| 4 | 0041840 | 4 | BUSHING,MOUNT,WB-3 | <i>ENDING WITH BSN F20054694</i> |
| 5 | 0041839 | 4 | RING,MOUNT,WR-3 | <i>ENDING WITH BSN F20054694</i> |
| 6 | 1328632 | 4 | WASHER,FLAT,.06 X .406 ID X 1.125 OD,BLK | |
| 7 | 0839027 | 4 | NUT,HEX HD,3/8-16,GR G,SM FLG LK,YEL | |
| 8 | 1435023 | 2 | CAPSCREW,HEX HD,5/16-18, X, 3/4,GR5, | |
| 9 | 0829390 | 2 | NUT,HEX HD,5/16-18,SER WASHER,YEL ZN | |

Models: C4RE
PDU, REAR
JOHN DEERE (8.1)
REAR PANEL ASSY
With: FEATURE 40181

| Key | PartNumber | Qty | Description | Comment |
|-----|------------|-----|-------------|---------|
|-----|------------|-----|-------------|---------|

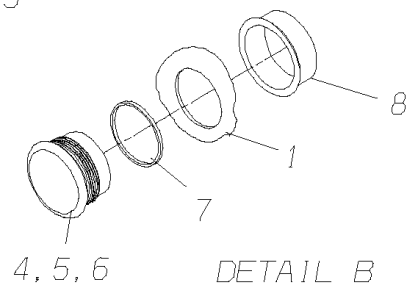
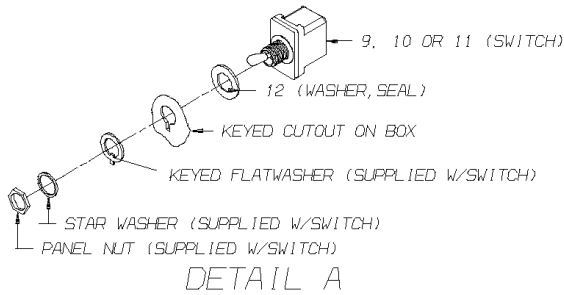
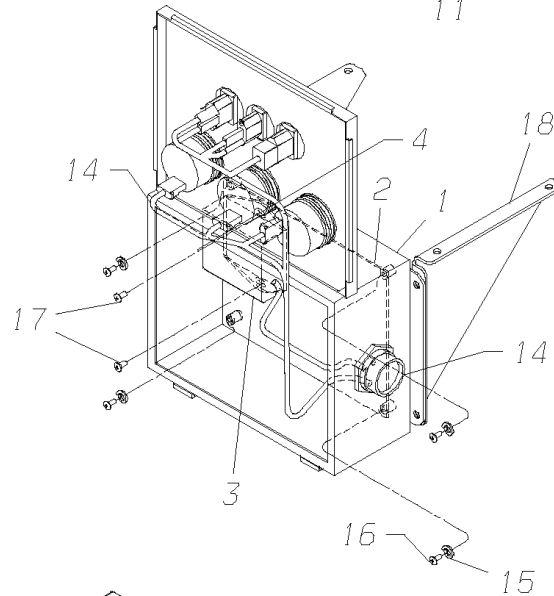
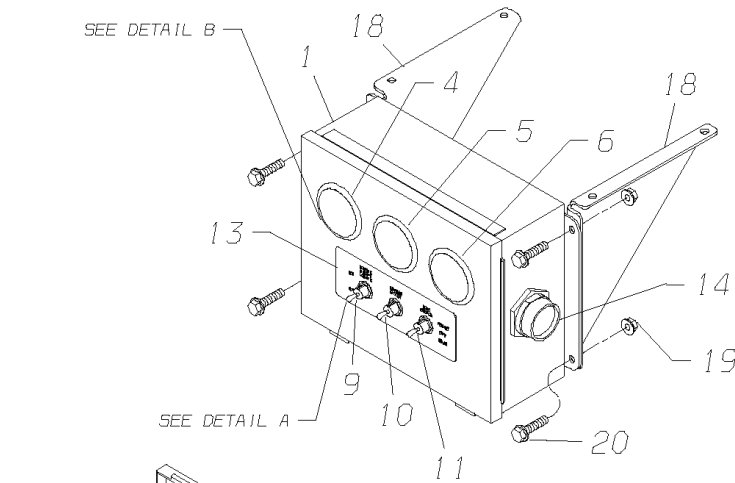


Models: C4RE
PDU, REAR
JOHN DEERE (8.1)
REAR PANEL ASSY
With: FEATURE 40181

| Key | PartNumber | Qty | Description | Comment |
|-----|------------|-----|---|---------|
| 1 | 0040963 | | PANEL,INNER REAR,PDU, C4RE,H4RE | |
| 2 | 0043235 | 2 | HOLDER,FUSE,MEGA,BUSSMANN" | |
| | 1334689 | 4 | SCREW,10-32 X 3/8,F,PH1,PAN HD,YEL ZN | |
| 3 | 0553131 | | STUD,TERMINAL,BAT CABLE JUNCTION,NO | |
| | 1731017 | 2 | SCREW,12-24 X 7/8,F,PH1,FLT CNSK HD,BLK | |
| | 0882795 | | LOCKWASHER,SPLIT RING,3/8,MED,YELLOW | |
| | 2001451 | | NUT,HEX HD,3/8-16,YELLOW DICHROMATE | |
| 4 | 0041125 | | BUSBAR,COPPER,.75 X 4.00 W/3 HOLES | |
| 5 | 1864362 | | FUSE,MEGA,200 AMP | |

Models: **C4RE**
REAR CONTROL BOX
To BSN F20054794

| Key | PartNumber | Qty | Description | Comment |
|-----|------------|-----|-------------|---------|
|-----|------------|-----|-------------|---------|

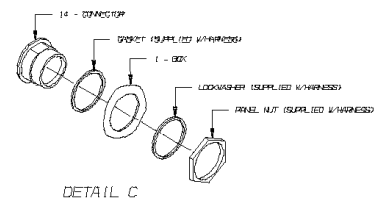
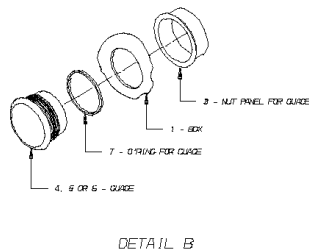
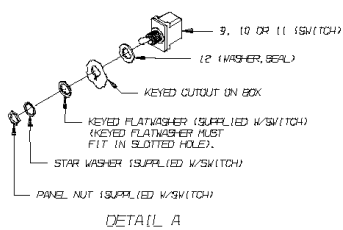
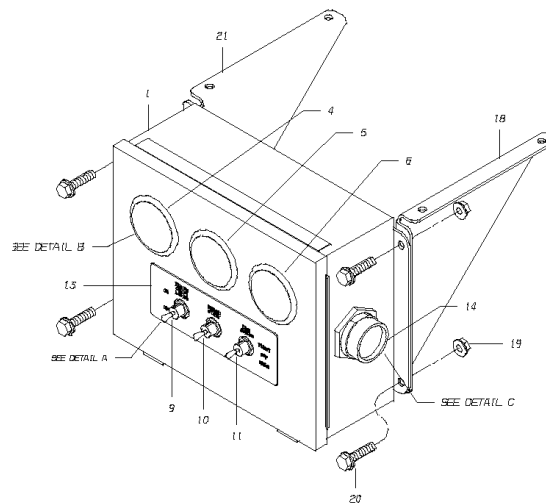
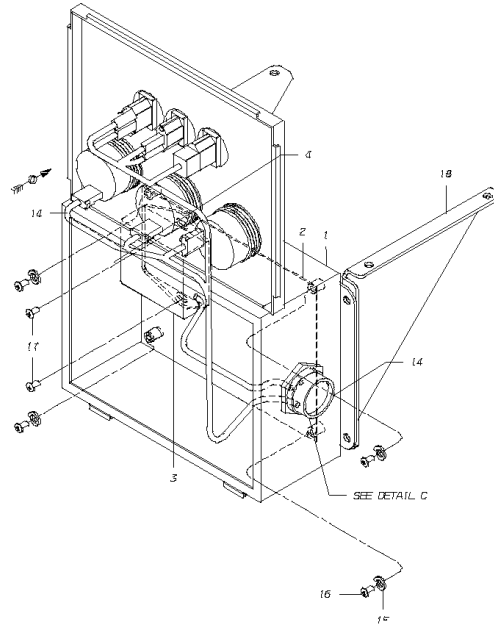


**Models: C4RE
REAR CONTROL BOX
To BSN F20054794**

| Key | PartNumber | Qty | Description | Comment |
|-----|------------|-----|---|--------------------|
| | 0042928 | | BOX ASSY,REAR,CONTROL, C4RE,H4RE | |
| 1 | 0042774 | | BOX,REAR,CONTROL, C4RE,H4RE | |
| 2 | 0042255 | | PLATE,MTG,ELEC,COMP,RR CONTROL BX,C4RE, | |
| 3 | 0041124 | | GAUGE,CONTROLLER MODULE | |
| 4 | 0036899 | | GAUGE,OIL PRESSURE,DATA LINK,PI | |
| 5 | 0036900 | | GAUGE,COOLANT TEMP,DATA LINK,PI | |
| 6 | 0036901 | | GUAGE,HOURMETER,DATA LINK,PI | |
| 7 | 2545325 | 3 | O-RING,136 | |
| 8 | 0042122 | 3 | RING,MTG,PI,2.375 | |
| 9 | 0004201 | | SWITCH,TOGGLE,DPST,MAINTAINED | |
| 10 | 0004199 | | SWITCH,TOGGLE,SPST,MOMENTARY | |
| 11 | 0044069 | | SWITCH,TOGGLE,DPDS,MAINTAINED,32NT91-1 | |
| 12 | 0039837 | 3 | SEAL,WASHER,.53 ID X 1.50 OD X .08 THK | |
| 13 | 0043086 | | DECAL,REAR,CONTROL,BOX, C4RE,H4RE | |
| 14 | 0043087 | | HARNES,WRG,REAR,CONTROL, C4RE,H4RE | |
| 15 | 2001162 | 4 | LOCKWASHER,SPLIT RING, 3/16,MED,YEL ZN | |
| 16 | 3754728 | 4 | SCREW,MACH,10-32 X 3/8,PH1,PAN HD, | |
| 17 | 0019061 | 2 | SCREW,10-32 X 1/2,F,PH1,PAN HD,BLACK ZINC | |
| 18 | 0043208 | 2 | BRACE,REAR,CONTROL, C4RE,H4RE | |
| NI | 1589530 | 4 | SCREW,1/4-14 X 3/4,AB,PH1,PAN HD,YEL ZN | MOUNTING SCREWS |
| 19 | | 4 | CAPSCREW, STAINLESS STEEL | SUPPLIED BY VENDOR |
| 20 | | 4 | NUT, STAINLESS STEEL | SUPPLIED BY VENDOR |

Models: C4RE
REAR CONTROL BOX
BSN: From BSN F20054795

| Key | PartNumber | Qty | Description | Comment |
|-----|------------|-----|-------------|---------|
|-----|------------|-----|-------------|---------|

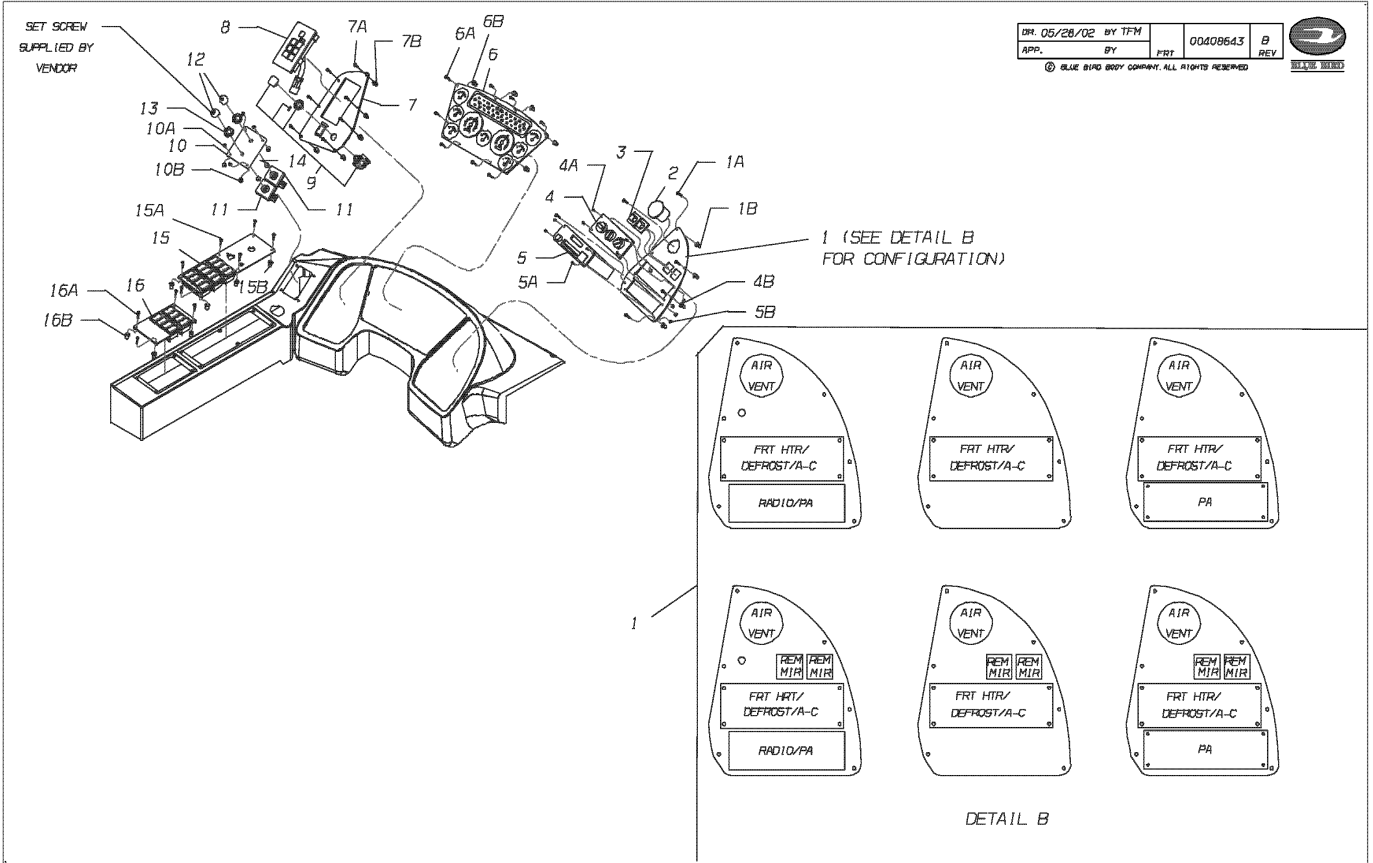


Models: C4RE
REAR CONTROL BOX
BSN: From BSN F20054795

| Key | PartNumber | Qty | Description | Comment |
|-----|------------|-----|---|-----------------|
| | 0060743 | | BOX,ASSY,REAR,CONTROL,JD,CAT, C4RE/H4RE | |
| 1 | 0042774 | | BOX,REAR,CONTROL, C4RE,H4RE | |
| 2 | 0042255 | | PLATE,MTG,ELEC,COMP,RR CONTROL BX,C4RE, | |
| 3 | 0041124 | | GAUGE,CONTROLLER MODULE | |
| 4 | 0036899 | | GAUGE,OIL PRESSURE,DATA LINK,PI | |
| 5 | 0036900 | | GAUGE,COOLANT TEMP,DATA LINK,PI | |
| 6 | 0036901 | | GUAGE,HOURMETER,DATA LINK,PI | |
| 7 | 2545325 | 3 | O-RING,136 | |
| 8 | 0042122 | 3 | RING,MTG,PI,2.375 | |
| 9 | 0004201 | | SWITCH,TOGGLE,DPST,MAINTAINED | |
| 10 | 0004199 | | SWITCH,TOGGLE,SPST,MOMENTARY | |
| 11 | 0044069 | | SWITCH,TOGGLE,DPDS,MAINTAINED,32NT91-1 | |
| 12 | 0039837 | 3 | SEAL,WASHER,.53 ID X 1.50 OD X .08 THK | |
| 13 | 0043086 | | DECAL,REAR,CONTROL,BOX, C4RE,H4RE | |
| 14 | 0059035 | | HARNESS,WRG,REAR,CONTROL, C4RE/H4RE | |
| 15 | 2001162 | 4 | LOCKWASHER,SPLIT RING, 3/16,MED,YEL ZN | |
| 16 | 3754728 | 4 | SCREW,MACH,10-32 X 3/8,PH1,PAN HD, | |
| 17 | 0019061 | 2 | SCREW,10-32 X 1/2,F,PH1,PAN HD,BLACK ZINC | |
| 18 | 0057296 | | BRACE,REAR,CONTROL BOX RIGHT HAND, C4RE | |
| 19 | | | CAPSCREW, STAINLESS STEEL | VENDOR SUPPLIED |
| 20 | | | NUT, STAINLESS STEEL | VENDOR SUPPLIED |
| 21 | 0057297 | | BRACE,REAR,CONTROL BOX LEFT HAND, C4RE | |

**Models: C4RE
SWITCH PANEL
DASH
INSTALLATION
To BSN F20053994**

| Key | PartNumber | Qty | Description | Comment |
|-----|------------|-----|-------------|---------|
|-----|------------|-----|-------------|---------|



Models: C4RE
SWITCH PANEL
DASH
INSTALLATION
To BSN F20053994

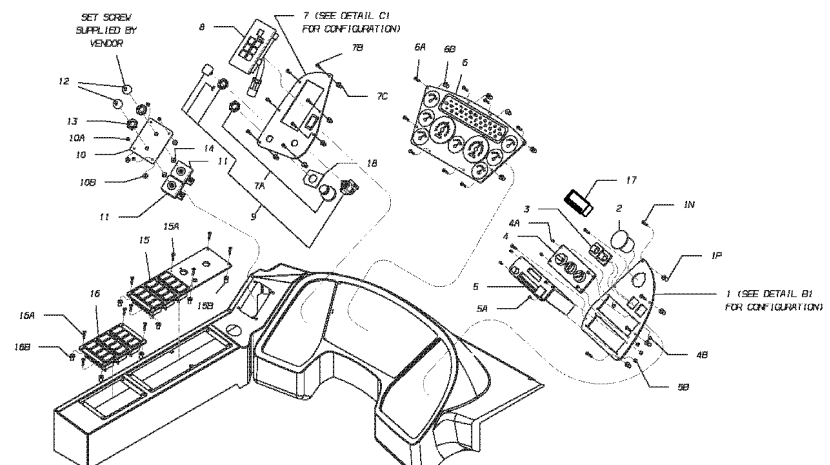
| Key | PartNumber | Qty | Description | Comment |
|-----|------------|-----|---|---|
| 1 | 0041264 | | PANEL,INSTRUMENT,RIGHT, C4RE | STANDARD WITHOUT FEATURE 30260 WITHOUT FEATURE 30482-05 |
| 1 | 0041265 | | PANEL,INSTRUMENT,RIGHT,W/RADIO-PA, C4RE | FEATURE 30260-13 WITHOUT 30482-05 |
| 1 | 0043933 | | PANEL,INSTRUMENT,RT,W/REMOTE MIRRORS, | FEATURE 30482-05 WITHOUT 30260 |
| 1 | 0043934 | | PANEL,INSTRUMENT,RT,W/RDO-PA,W/REM MIR, | FEATURE 30482-05 WITHOUT 30260 |
| 1 | 0044285 | | PANEL,INSTRUMENT,RIGHT,PA, C4RE | FEATURE 30260-12 WITHOUT 30482-05 |
| 1 | 0044286 | | PANEL,INSTRUMENT,RT,PA,W/REMOTE MIR, | FEATURE 30260-12 WITH 30482-05 |
| 1A | 1315100 | | SCREW,MACH,10-32X1,PHI,PAN HD,BLK | |
| 1B | 1315118 | | WELLNUT Q-1032,.377 X 5/8 | |
| 2 | 0042230 | | LOUVRE ASSY,GLOBAL,2.00,REVCOR 2385-A-2 | |
| 3 | | | KIT, MIRROR, HEATED/ REMOTE | |
| 4 | 4635736 | | PANEL,CONTROL,A/C,KYSOR WESTRAN 1998WL | PART OF BERGSTROM HEATER KIT |
| 4A | 1401587 | | SCREW,8-32 X 3/4, PH1, RD HD, BLK ZINC | |
| 4B | 2001253 | | NUT,HEX HD,8-32,YELLOW DICHROMATE | |
| 5 | 0042223 | | PA,PANEL MOUNT,W/DYN MIC,W/EXT SPKR SW, | FEATURE 30260-12 WITH FEATURE 30269-10 |
| 5 | 0042251 | | RADIO,PA W/DUAL MIC,W/EXT SPKR SWITCH, | FEATURE 30260-13 WITH FEATURE 30269-10 |
| 5 | 0047312 | | RADIO,PA W/DUAL MIC, W/O EXT SPEAKER SW | FEATURE 30260-13 WITHOUT FEATURE 30269-10 |
| 5 | 0047313 | | PA,PANEL MNT,W/DYN MIC,W/O EXT SPKR SW, | FEATURE 30260-12 WITHOUT FEATURE 30269-10 |
| 5A | 1667948 | | SCREW,MACH,6-32 X 1/2,PH1,RD HD,BLK ZN | |
| 5B | 1711191 | | NUT,HEX HD,6-32,YEL ZN DICH | |
| 6 | 0041317 | | PANEL ASSY,INSTRUMENT,CTR, C4RE | STANDARD WITHOUT FEATURE 40280-01 |

Models: C4RE
**SWITCH PANEL
 DASH
 INSTALLATION
 To BSN F20053994**

| Key | PartNumber | Qty | Description | Comment |
|-----|------------|-----|--|---|
| 6 | 0041318 | | PANEL ASSY,INSTRUMENT,CTR,W/TRAN TEMP, | FEATURE 40280-01 |
| 6A | 1315100 | | SCREW,MACH,10-32X1,PHI,PAN HD,BLK | |
| 6B | 1315118 | | WELLNUT Q-1032,.377 X 5/8 | |
| 7 | 0042186 | | PANEL ASSY,INST,LEFT,W/ HAZARD SWITCH, | |
| 7A | 1315100 | | SCREW,MACH,10-32X1,PHI,PAN HD,BLK | |
| 7B | 1315118 | | WELLNUT Q-1032,.377 X 5/8 | |
| 8 | | | | SEE "GROUP 160 - TRANSMISSION" FOR TRANSMISSION SELECTOR. |
| 9 | | | | SEE "GROUP 30 - AIR BRAKES" FOR PARKING BRAKE VALVE ASSY. |
| 10 | 0040717 | | PANEL,W/S WIPER, C4RE | |
| 10 | 1315100 | | SCREW,MACH,10-32X1,PHI,PAN HD,BLK | |
| 10 | 1315118 | | WELLNUT Q-1032,.377 X 5/8 | |
| 11 | 0030788 | | SWITCH ASSY,W/S WIPER,MOTOR, | |
| 12 | 1272590 | | KNOB,WINDSHIELD WIPER,INTERMITTENT | |
| 13 | 1354646 | | NUT,PANEL,HEX HD,7/16-28,YEL ZN DICH | |
| 14 | | | STAR WASHER | SUPPLIED WITH SWITCH. |
| 15 | 0046195 | | PANEL ASSY,SWITCH,DRIVER'S SIDE,FRONT, | |
| 15 | 1315100 | | SCREW,MACH,10-32X1,PHI,PAN HD,BLK | |
| 15 | 1315118 | | WELLNUT Q-1032,.377 X 5/8 | |
| 16 | 0040714 | | PANEL ASSY,SWITCH,DRV SI,REAR,W/MISC, | |
| 16 | 1315100 | | SCREW,MACH,10-32X1,PHI,PAN HD,BLK | |
| 16 | 1315118 | | WELLNUT Q-1032,.377 X 5/8 | |

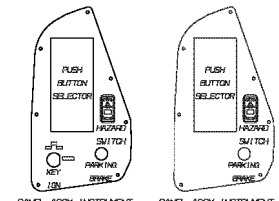
Models: C4RE
**SWITCH PANEL
 DASH
 INSTALLATION**
BSN: From BSN F20053995

| Key | PartNumber | Qty | Description | Comment |
|-----|------------|-----|-------------|---------|
|-----|------------|-----|-------------|---------|

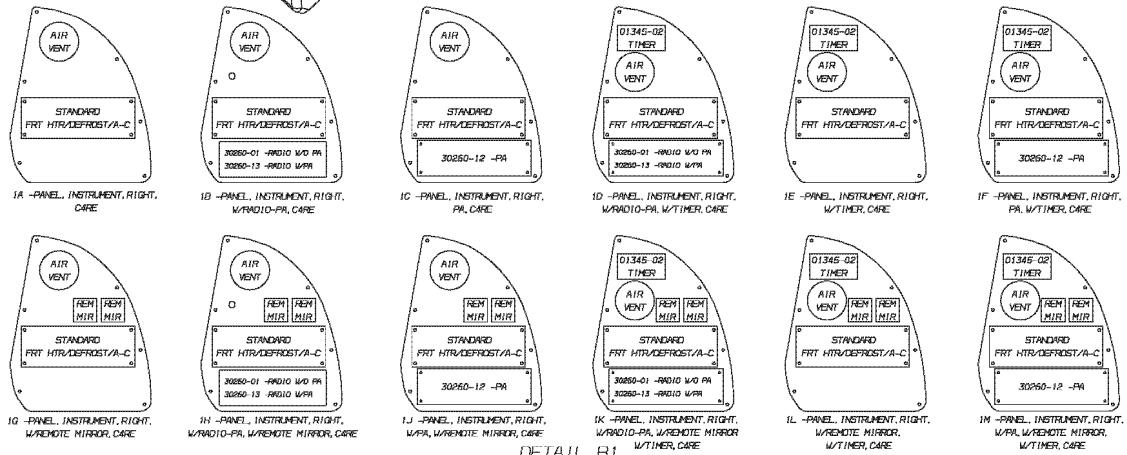


| | | | |
|--------------|-------|----------|-----|
| DR. 03/11/05 | BY TB | 00548223 | F |
| APP. | BY | FRT | REV |

© BLUE BIRD BODY COMPANY. ALL RIGHTS RESERVED



DETAIL C1



DETAIL B1

Models: C4RE
SWITCH PANEL
DASH
INSTALLATION
BSN: From BSN F20053995

| Key | PartNumber | Qty | Description | Comment |
|-----|------------|-----|---|---|
| 1A | 0053723 | | PANEL,INSTRUMENT,RIGHT, C4RE | STANDARD WITHOUT 01345-02, WITHOUT 30260-01,-12,-13, WITHOUT 30482-05 |
| 1B | 0053723 | | PANEL,INSTRUMENT,RIGHT, C4RE | FEATURE 30260-01 or 30260-13 WITHOUT 01345-02, WITHOUT 30260-12, WITHOUT 30482-05 |
| 1C | 0053723 | | PANEL,INSTRUMENT,RIGHT, C4RE | FEATURE 30260-12 WITHOUT 01345-02, WITHOUT 30260-01,-13, WITHOUT 30482-05 |
| 1D | 0053723 | | PANEL,INSTRUMENT,RIGHT, C4RE | FEATURE 30260-01 or 30260-13 WITH 01345-02, WITHOUT 30260-12, WITHOUT 30482-05 |
| 1E | 0053723 | | PANEL,INSTRUMENT,RIGHT, C4RE | FEATURE 01345-02 WITHOUT 30260-01,-12,-13, WITHOUT 30482-05 |
| 1F | 0053723 | | PANEL,INSTRUMENT,RIGHT, C4RE | FEATURE 01345-02 and 30260-12, WITHOUT 30260-01,-13, WITHOUT 30482-05 |
| 1G | 0053723 | | PANEL,INSTRUMENT,RIGHT, C4RE | FEATURE 30482-05 WITHOUT 30260-01,-12,-13, WITHOUT 01345-02 |
| 1H | 0053723 | | PANEL,INSTRUMENT,RIGHT, C4RE | FEATURE 30260-01 or 30260-13 WITH 30482-05, WITHOUT 30260-12, WITHOUT 01345-02 |
| 1J | 0053723 | | PANEL,INSTRUMENT,RIGHT, C4RE | FEATURE 30260-12 and 30482-05 WITHOUT 30260-01,-13, WITHOUT 01345-02 |
| 1K | 0053723 | | PANEL,INSTRUMENT,RIGHT, C4RE | FEATURE 30260-01 or 30260-13, WITH 30482-05, WITH 01345-02, WITHOUT 30260-12 |
| 1L | 0053723 | | PANEL,INSTRUMENT,RIGHT, C4RE | FEATURE 01345-02, WITH 30482-05, WITHOUT 30260-01,-12,-13 |
| 1M | 0053723 | | PANEL,INSTRUMENT,RIGHT, C4RE | FEATURE 01345-02, 30260-12, 30482-05 WITHOUT 30260-01,-13 |
| 1N | 1315100 | 6 | SCREW,MACH,10-32X1,PHI,PAN HD,BLK | |
| 1P | 1315118 | 6 | WELLNUT Q-1032,.377 X 5/8 | |
| 2 | 0042230 | | LOUVRE ASSY,GLOBAL,2.00,REVCOR 2385-A-2 | |

FEATURE 30482-05

Models: C4RE
SWITCH PANEL
DASH
INSTALLATION
BSN: From BSN F20053995

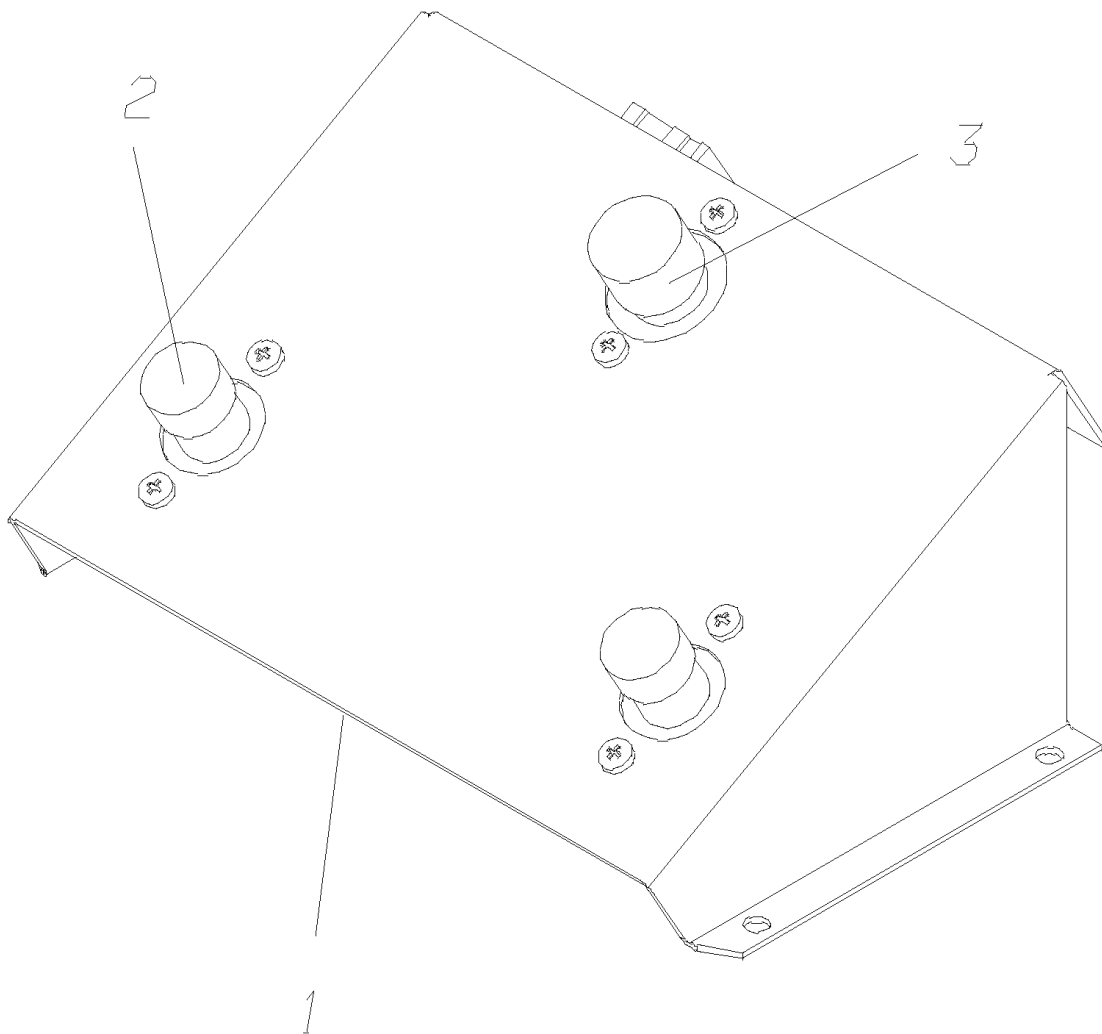
| Key | PartNumber | Qty | Description | Comment |
|-----|------------|-----|---|---|
| 3 | 4759872 | 2 | SWITCH,MIRROR,REMOTE,ROADSIDE | |
| 4 | 4635736 | | PANEL,CONTROL,A/C,KYSOR WESTRAN 1998WL | PART OF BERGSTROM HEATER KIT. |
| 4A | 1401587 | 4 | SCREW,8-32 X 3/4, PH1, RD HD, BLK ZINC | |
| 4B | 2001253 | 4 | NUT,HEX HD,8-32,YELLOW DICHROMATE | |
| 5 | 0042223 | | PA,PANEL MOUNT,W/DYN MIC,W/EXT SPKR SW, | FEATURE 30260-12 WITH 30269-10. PA, WITH DYN MIC, WITH EXTERNAL SPEAKER SWITCH |
| 5 | 0047312 | | RADIO,PA W/DUAL MIC, W/O EXT SPEAKER SW | FEATURE 30260-13 WITHOUT 30269-10. RADIO, PA WITH DUAL MIC, WITHOUT EXTERNAL SPEAKER. |
| 5 | 0054233 | | RADIO,AM/FM,W/O PA,REI 700823 | FEATURE 30260-01 WITHOUT 30269-10. RADIO, WITHOUT PA |
| 5A | 1667948 | 4 | SCREW,MACH,6-32 X 1/2,PH1,RD HD,BLK ZN | |
| 5B | 1711191 | 4 | NUT,HEX HD,6-32,YEL ZN DICH | |
| 6 | 0041317 | | PANEL ASSY,INSTRUMENT,CTR, C4RE | STANDARD WITHOUT 40280-01 |
| 6 | 0041318 | | PANEL ASSY,INSTRUMENT,CTR,W/TRAN TEMP, | FEATURE 40280-01 |
| 6 | 0054220 | | PANEL,INST,CTR,W/METRIC SPEEDO,JD,CAT, | FEATURE 40280-03 WITHOUT 40280-01 |
| 6 | 0054221 | | PANEL,INST,CTR,W/MET SPD,W/TRN TMP,JD, | FEATURE 40280-01, WITH 40280-03 |
| 6A | 1315100 | 8 | SCREW,MACH,10-32X1,PHI,PAN HD,BLK | |
| 6B | 1315118 | 8 | WELLNUT Q-1032,.377 X 5/8 | |
| 7 | 0054310 | | PANEL ASSY,INST,LEFT,W/ KEY SWITCH,C4RE | FEATURE 30241-01 |
| 7 | 0054545 | | PANEL ASSY,INST,LEFT,W/O KEY SW,C4RE | |
| 7A | 1010685 | | SWITCH,IGN | WITHOUT FEATURE 30241-01, WITHOUT 40097-03 |
| 7A | 1462993 | | SWITCH,IGN,POLLACK,NO 31-290 | WITHOUT FEATURE 30241-01 WITH FEATURE 40097-03 |
| 7B | 1315100 | 7 | SCREW,MACH,10-32X1,PHI,PAN HD,BLK | |

Models: C4RE
SWITCH PANEL
DASH
INSTALLATION
BSN: From BSN F20053995

| Key | PartNumber | Qty | Description | Comment |
|-----|------------|-----|---|-----------------------------|
| 7C | 1315118 | 7 | WELLNUT Q-1032,.377 X 5/8 | |
| 8 | 0031122 | | SELECTOR,SHIFT,PUSHBUTTON,3000 SRS, | |
| 9 | 0032239 | | VALVE ASSY,PARKING BRAKE,PP-1, RCDA | |
| 10 | 0040717 | | PANEL,W/S WIPER, C4RE | |
| 10 | 1315100 | 4 | SCREW,MACH,10-32X1,PHI,PAN HD,BLK | |
| 10 | 1315118 | | WELLNUT Q-1032,.377 X 5/8 | |
| 11 | 0030788 | 2 | SWITCH ASSY,W/S WIPER,MOTOR, | |
| 12 | 1272590 | 2 | KNOB,WINDSHIELD WIPER,INTERMITTENT | |
| 13 | 1354646 | 2 | NUT,PANEL,HEX HD,7/16-28,YEL ZN DICH | |
| 14 | | | STAR WASHER | <i>SUPPLIED WITH SWITCH</i> |
| 15 | 0054343 | | PANEL ASSY,SWITCH,DRIVER'S SIDE,FRONT, | |
| 15 | 1315100 | 6 | SCREW,MACH,10-32X1,PHI,PAN HD,BLK | |
| 15 | 1315118 | 6 | WELLNUT Q-1032,.377 X 5/8 | |
| 16 | 0054044 | | PANEL ASSY,SWITCH,DRV SI,REAR,W/MISC, | |
| 16 | 1315100 | 4 | SCREW,MACH,10-32X1,PHI,PAN HD,BLK | |
| 16 | 1315118 | 4 | WELLNUT Q-1032,.377 X 5/8 | |
| 17 | 0071075 | | CONTROL,ELEC,WEBASTO TIMER,7-DAY,82774A | <i>FEATURE 01345-02</i> |
| 18 | 1662162 | | PLATE,IGNITION SWITCH, TCFC/RE | |

Models: C4RE
SWITCHES
DIRECTIONAL LIGHT, FOOT CONTROLLED
With: FEATURE 30177-01 & FEATURE 30260-11, -12, or -13

| Key | PartNumber | Qty | Description | Comment |
|-----|------------|-----|-------------|---------|
|-----|------------|-----|-------------|---------|

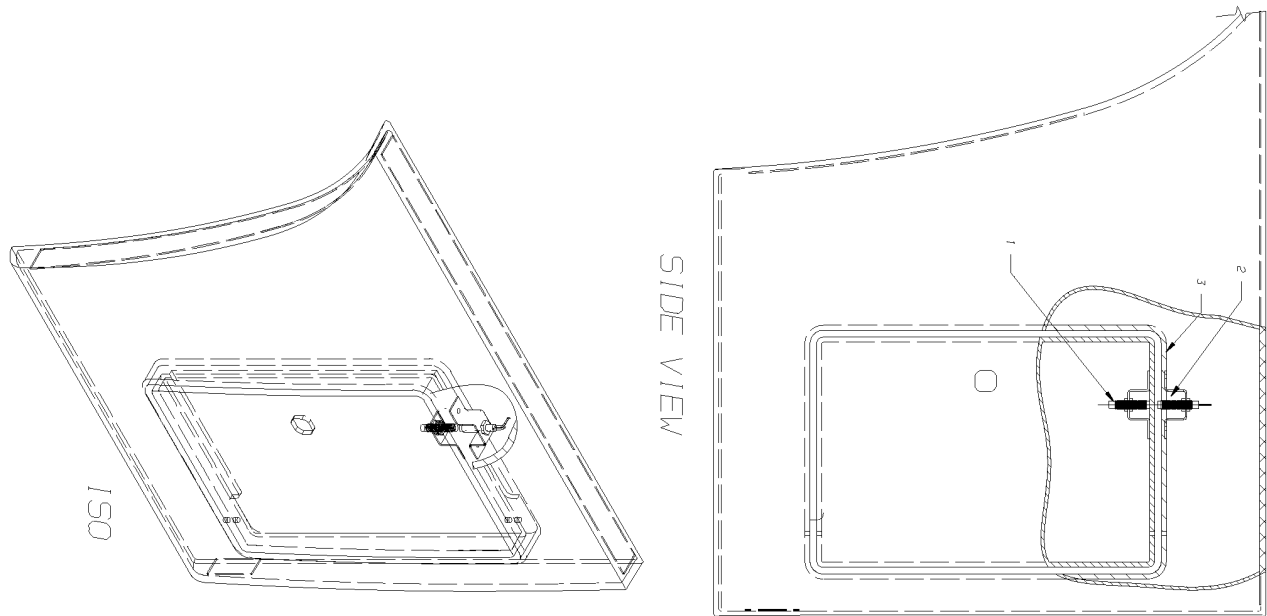


Models: C4RE
SWITCHES
DIRECTIONAL LIGHT, FOOT CONTROLLED
With: FEATURE 30177-01 & FEATURE 30260-11, -12, or -13

| Key | PartNumber | Qty | Description | Comment |
|-----|------------|-----|--------------------------------------|----------------------------|
| 1 | 0043582 | | BRACKET,MTG,FOOT CONTROL DIRECTIONAL | |
| 2 | 0043612 | 2 | SWITCH,FOOT,OPERATED,PRESTOLITE,SW | FEATURE 30177-01 |
| | 0043619 | | HARNESS,WRG,DIR,FOOT CONTROL,C4RE | FEATURE 30177-01 |
| | 2000826 | 4 | SCREW,MACH,1/4X20X3/4,PH1,TRUSSHD, | FEATURE 30177-01 |
| | 0659979 | 4 | NUT,HEX,FLANGE SER,1/4-20,BLACK ZINC | FEATURE 30177-01 |
| 3 | 0043612 | | SWITCH,FOOT,OPERATED,PRESTOLITE,SW | FEATURE 30260-11, -12, -13 |
| | 2000826 | | SCREW,MACH,1/4X20X3/4,PH1,TRUSSHD, | FEATURE 30260-11, -12, -13 |
| | 0659979 | | NUT,HEX,FLANGE SER,1/4-20,BLACK ZINC | FEATURE 30260-11, -12, -13 |

Models: C4RE
SWITCHES
FUEL DOOR
JOHN DEERE 8.1
CNG FUEL SYSTEM
With: FEATURE 40245-01

| Key | PartNumber | Qty | Description | Comment |
|-----|------------|-----|-------------|---------|
|-----|------------|-----|-------------|---------|

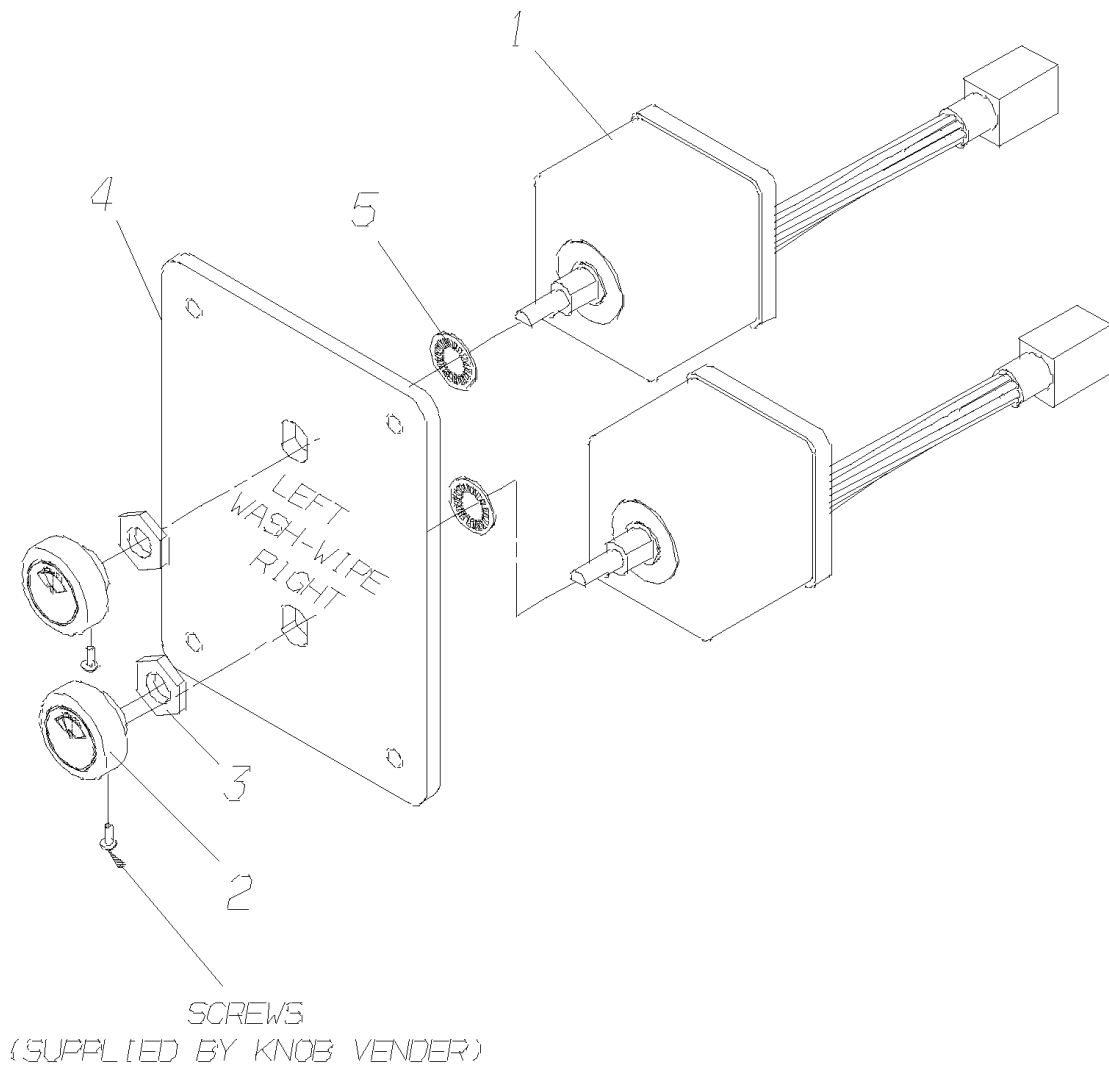


Models: C4RE
SWITCHES
FUEL DOOR
JOHN DEERE 8.1
CNG FUEL SYSTEM
With: FEATURE 40245-01

| Key | PartNumber | Qty | Description | Comment |
|-----|------------|-----|---|---------|
| 1 | 0056190 | | ACTUATOR, POSITION SENSOR, HAMLIN BREED | |
| 2 | 0064897 | | SENSOR,ASSY,FUEL FILL,DOOR JD 8.1,C4RE | |
| 3 | 0044883 | | PANEL ASSY,SKIRT,CNG FILL, C4RE | |

Models: C4RE
SWITCHES
WINDSHIELD WIPER

| Key | PartNumber | Qty | Description | Comment |
|-----|------------|-----|-------------|---------|
|-----|------------|-----|-------------|---------|



Models: C4RE
SWITCHES
WINDSHIELD WIPER

| Key | PartNumber | Qty | Description | Comment |
|-----|------------|-----|--------------------------------------|-----------------------------|
| 1 | 0030788 | 2 | SWITCH ASSY,W/S WIPER,MOTOR, | |
| 2 | 1272590 | 2 | KNOB,WINDSHIELD WIPER,INTERMITTENT | |
| 3 | 1354646 | 2 | NUT,PANEL,HEX HD,7/16-28,YEL ZN DICH | |
| 4 | 0040717 | | PANEL,W/S WIPER, C4RE | |
| 5 | | 2 | STAR WASHER | <i>SUPPLIED WITH SWITCH</i> |