

Chassis

110 Instruments

PANEL

CENTER

CUMMINS

_____ 1
CUMMINS, METRIC SPEEDO

_____ 2
JOHN DEERE AND CAT

_____ 3
JOHN DEERE AND CAT, METRIC SPEEDO

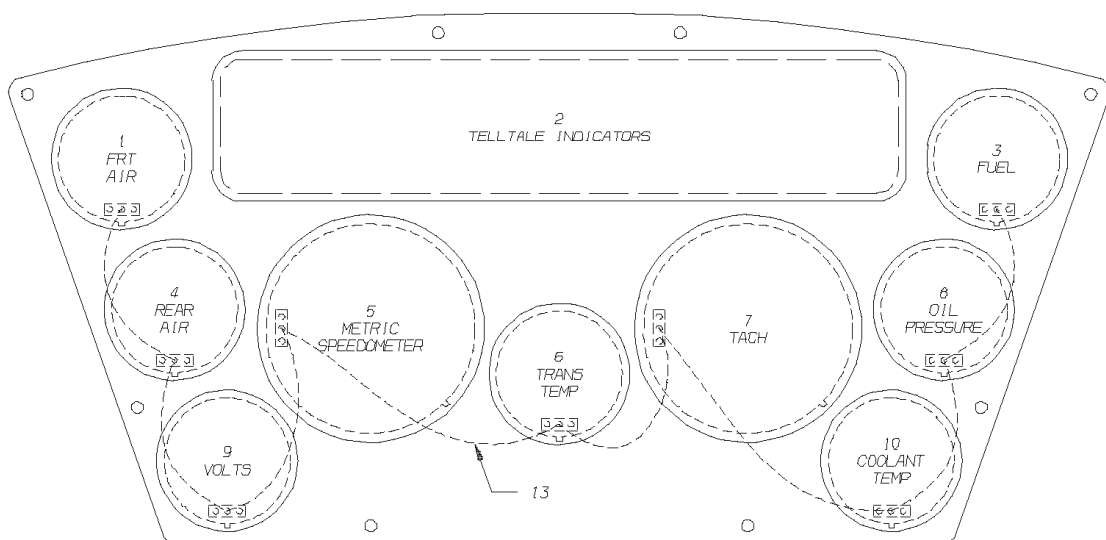
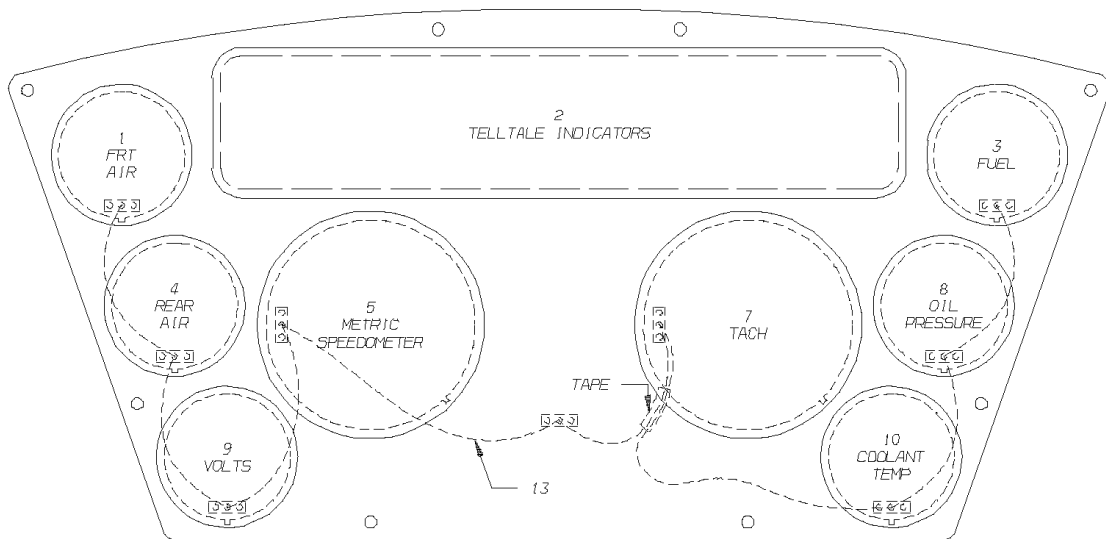
_____ 4
LEFT

_____ 5
RIGHT

_____ 6

Models: **C4RE
PANEL
CENTER
CUMMINS**

Key	PartNumber	Qty	Description	Comment
-----	------------	-----	-------------	---------



Models: C4RE
PANEL
CENTER
CUMMINS

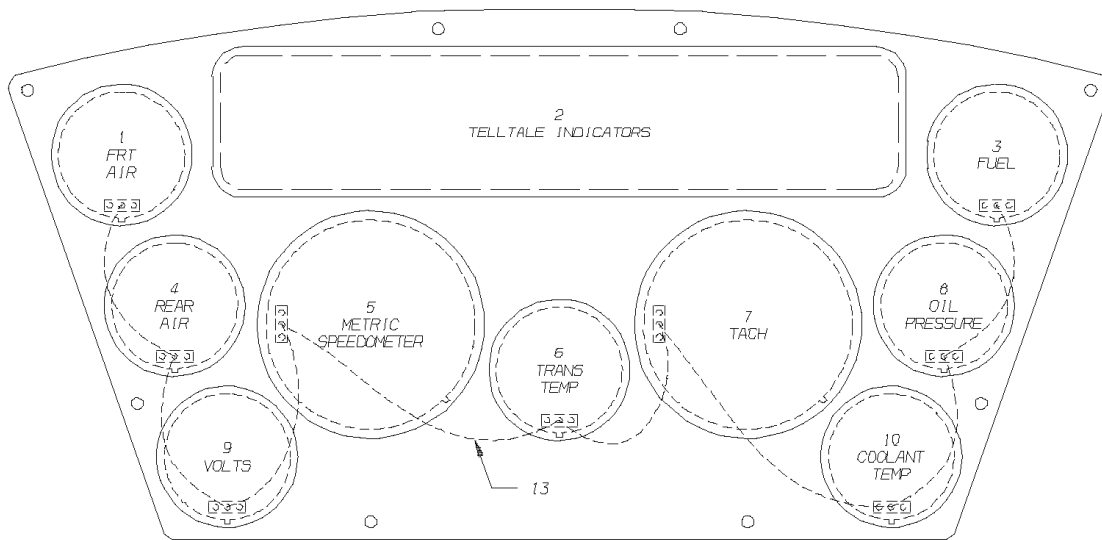
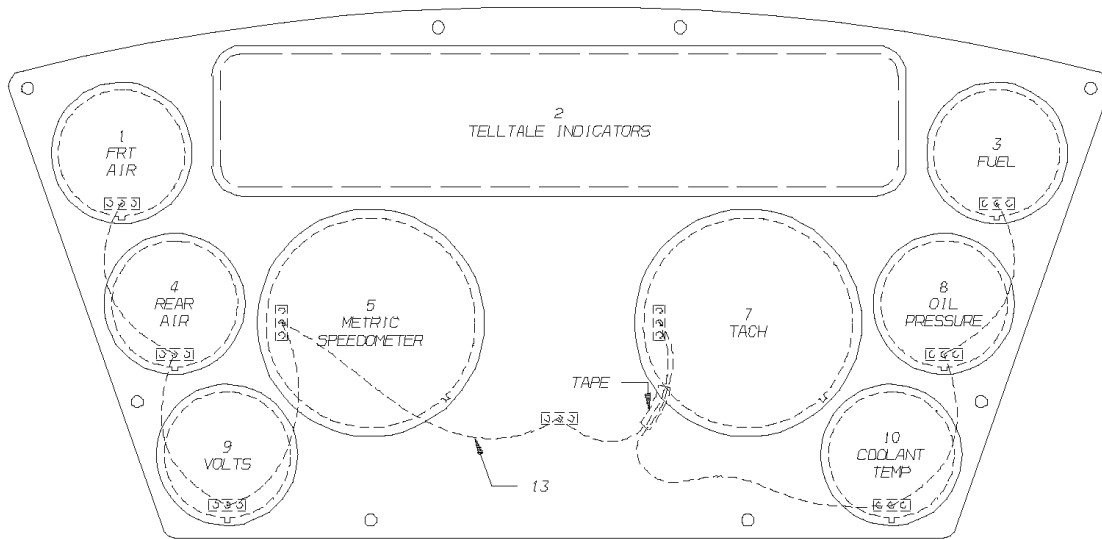
Key	PartNumber	Qty	Description	Comment
	0061943		PANEL,INST,CUM, C4	CONSIST OF THE FOLLOWING
	0041258		PANEL,INSTRUMENT,CENTER, C4RE	CONSIST OF THE FOLLOWING
1	0036896		GAUGE,AIR,FRONT,DATA LINK,PI	
2	0036905		INSTRUMENTATION,TELLTALE BAR,C4RE	
3	0036898		GAUGE,FUEL,DATA LINK,PI	
4	0036897		GAUGE,AIR,REAR,DATA LINK,PI	
5	0055307		GAUGE,SPEEDO,W/ODOMETER,BLACK BEZEL	
7	0036894		GAUGE,TACHOMETER,W/HOURMETER,DATA	
8	0061913		GAUGE,ASSY,OIL PRESS,DATA LK,PI,PRX	
9	0036895		GAUGE,VOLTMETER,DATA LINK,PI	
10	0036900		GAUGE,COOLANT TEMP,DATA LINK,PI	
11	0042122	6	RING,MTG,PI,2.375	
12	0042125	2	RING,MTG,PI,3.750	
13	0042383		HARNES,WRG,DATA LINK DAISY CHAIN,DASH,	
	0061944		PANEL,INST,W/TRAN TEMP,CUM, C4	CONSIST OF THE FOLLOWING
	0041259		PANEL,INSTRUMENT,CENTER,W/TRANS TEMP,	CONSIST OF THE FOLLOWING
1	0036896		GAUGE,AIR,FRONT,DATA LINK,PI	
2	0036905		INSTRUMENTATION,TELLTALE BAR,C4RE	
3	0036898		GAUGE,FUEL,DATA LINK,PI	
4	0036897		GAUGE,AIR,REAR,DATA LINK,PI	
5	0055307		GAUGE,SPEEDO,W/ODOMETER,BLACK BEZEL	
6	0036969		GAUGE,TRANSMISSION OIL TEMP,DATA LINK,PI	
7	0036894		GAUGE,TACHOMETER,W/HOURMETER,DATA	

Models: C4RE
PANEL
CENTER
CUMMINS

Key	PartNumber	Qty	Description	Comment
8	0061913		GAUGE,ASSY,OIL PRESS,DATA LK,PI,PRX	
9	0036895		GAUGE,VOLTMETER,DATA LINK,PI	
10	0036900		GAUGE,COOLANT TEMP,DATA LINK,PI	
11	0042122	7	RING,MTG,PI,2.375	
12	0042125	2	RING,MTG,PI,3.750	
13	0042383		HARNES,WRG,DATA LINK DAISY CHAIN,DASH,	
NI	0039787		GAUGE,BLUE BIRD LOGO,DATA LINK,PI	

Models: **C4RE
PANEL
CENTER
CUMMINS, METRIC SPEEDO**

Key	PartNumber	Qty	Description	Comment
-----	------------	-----	-------------	---------



Models: C4RE
PANEL
CENTER
CUMMINS, METRIC SPEEDO

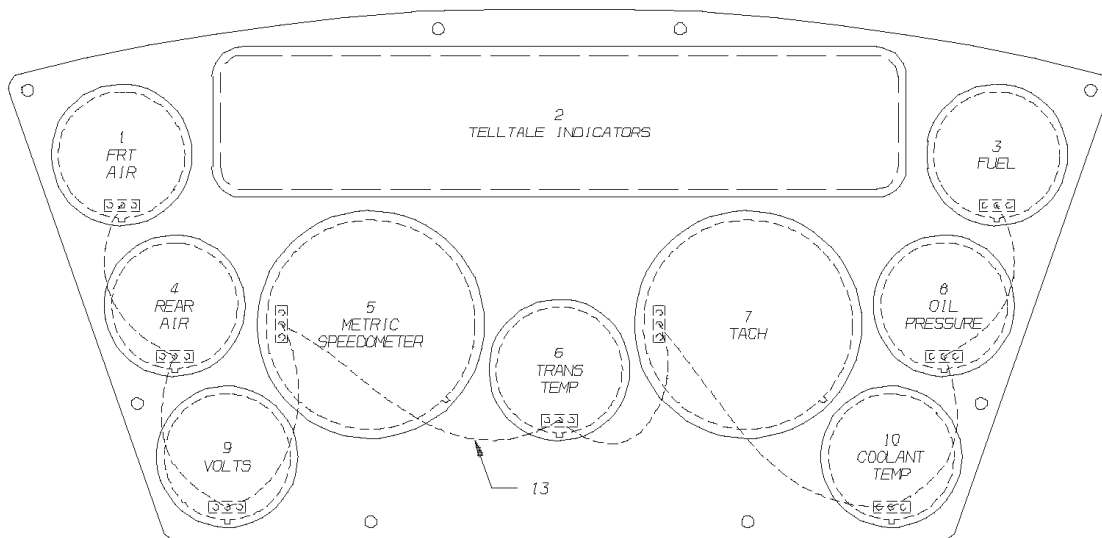
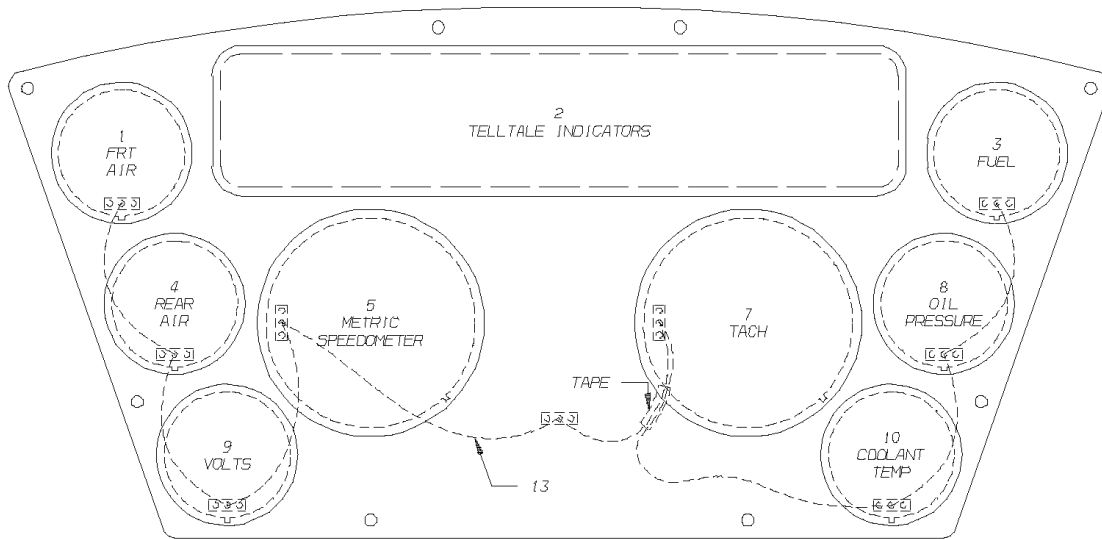
Key	PartNumber	Qty	Description	Comment
	0061941		PANEL,INST,W/MET SPED,CUM, C4	CONSIST OF THE FOLLOWING
	0041258		PANEL,INSTRUMENT,CENTER, C4RE	CONSIST OF THE FOLLOWING
1	0036896		GAUGE,AIR,FRONT,DATA LINK,PI	
2	0036905		INSTRUMENTATION,TELLTALE BAR,C4RE	
3	0036898		GAUGE,FUEL,DATA LINK,PI	
4	0036897		GAUGE,AIR,REAR,DATA LINK,PI	
5	0055309		GAUGE,SPEEDO,W/ODOMETER,BLACK	
7	0036894		GAUGE,TACHOMETER,W/HOURMETER,DATA	
8	0061913		GAUGE,ASSY,OIL PRESS,DATA LK,PI,PRX	
9	0036895		GAUGE,VOLTMETER,DATA LINK,PI	
10	0036900		GAUGE,COOLANT TEMP,DATA LINK,PI	
11	0042122	6	RING,MTG,PI,2.375	
12	0042125	2	RING,MTG,PI,3.750	
13	0042383		HARNES,WRG,DATA LINK DAISY CHAIN,DASH,	
	0061942		PANEL,INST,W/MET SPED/,W/TRAN TEMP,CUM,	CONSIST OF THE FOLLOWING
	0041259		PANEL,INSTRUMENT,CENTER,W/TRANS TEMP,	CONSIST OF THE FOLLOWING
1	0036896		GAUGE,AIR,FRONT,DATA LINK,PI	
2	0036905		INSTRUMENTATION,TELLTALE BAR,C4RE	
3	0036898		GAUGE,FUEL,DATA LINK,PI	
4	0036897		GAUGE,AIR,REAR,DATA LINK,PI	
5	0055309		GAUGE,SPEEDO,W/ODOMETER,BLACK	
6	0036969		GAUGE,TRANSMISSION OIL TEMP,DATA LINK,PI	
7	0036894		GAUGE,TACHOMETER,W/HOURMETER,DATA	

Models: C4RE
PANEL
CENTER
CUMMINS, METRIC SPEEDO

Key	PartNumber	Qty	Description	Comment
8	0061913		GAUGE,ASSY,OIL PRESS,DATA LK,PI,PRX	
9	0036895		GAUGE,VOLTMETER,DATA LINK,PI	
10	0036900		GAUGE,COOLANT TEMP,DATA LINK,PI	
11	0042122	7	RING,MTG,PI,2.375	
12	0042125	2	RING,MTG,PI,3.750	
13	0042383		HARNES,WRG,DATA LINK DAISY CHAIN,DASH,	

Models: **C4RE
PANEL
CENTER
JOHN DEERE AND CAT**

Key	PartNumber	Qty	Description	Comment
-----	------------	-----	-------------	---------



Models: C4RE
PANEL
CENTER
JOHN DEERE AND CAT

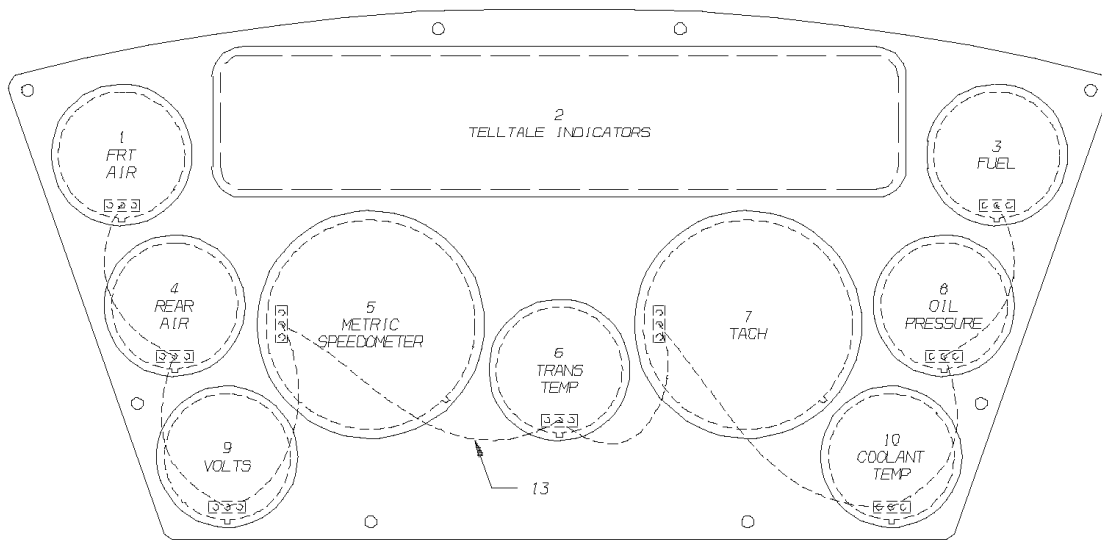
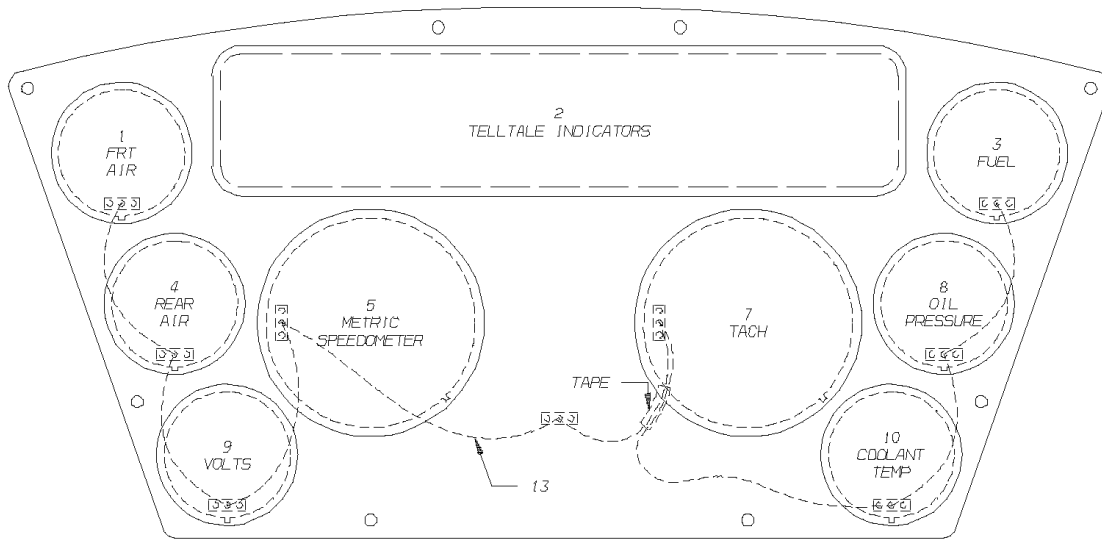
Key	PartNumber	Qty	Description	Comment
	0056378		PANEL,INST,CTR,W/COMP,JD,CAT, C4RE	CONSIST OF THE FOLLOIWNIG
	0041258		PANEL,INSTRUMENT,CENTER, C4RE	
1	0036896		GAUGE,AIR,FRONT,DATA LINK,PI	
2	0036905		INSTRUMENTATION,TELLTALE BAR,C4RE	
3	0036898		GAUGE,FUEL,DATA LINK,PI	
4	0036897		GAUGE,AIR,REAR,DATA LINK,PI	
5	0055307		GAUGE,SPEEDO,W/ODOMETER,BLACK BEZEL	
7	0036894		GAUGE,TACHOMETER,W/HOURMETER,DATA	
8	0036899		GAUGE,OIL PRESSURE,DATA LINK,PI	
9	0036895		GAUGE,VOLTMETER,DATA LINK,PI	
10	0036900		GAUGE,COOLANT TEMP,DATA LINK,PI	
11	0042122	6	RING,MTG,PI,2.375	
12	0042125	2	RING,MTG,PI,3.750	
13	0042383		HARNES,WRG,DATA LINK DAISY CHAIN,DASH,	
	0056379		PANEL,INST,CTR,W/TRAN TEMP,JD,CAT, C4RE	CONSIST OF THE FOLLOWING
	0041259		PANEL,INSTRUMENT,CENTER,W/TRANS TEMP,	
1	0036896		GAUGE,AIR,FRONT,DATA LINK,PI	
2	0036905		INSTRUMENTATION,TELLTALE BAR,C4RE	
3	0036898		GAUGE,FUEL,DATA LINK,PI	
4	0036897		GAUGE,AIR,REAR,DATA LINK,PI	
5	0055307		GAUGE,SPEEDO,W/ODOMETER,BLACK BEZEL	
6	0036969		GAUGE,TRANSMISSION OIL TEMP,DATA LINK,PI	
7	0036894		GAUGE,TACHOMETER,W/HOURMETER,DATA	

Models: C4RE
PANEL
CENTER
JOHN DEERE AND CAT

Key	PartNumber	Qty	Description	Comment
8	0036899		GAUGE,OIL PRESSURE,DATA LINK,PI	
9	0036895		GAUGE,VOLTMETER,DATA LINK,PI	
10	0036900		GAUGE,COOLANT TEMP,DATA LINK,PI	
11	0042122	7	RING,MTG,PI,2.375	
12	0042125	2	RING,MTG,PI,3.750	
13	0042383		HARNES,WRG,DATA LINK DAISY CHAIN,DASH,	
NI	0039787		GAUGE,BLUE BIRD LOGO,DATA LINK,PI	

Models: C4RE
PANEL
CENTER
JOHN DEERE AND CAT, METRIC SPEEDO

Key	PartNumber	Qty	Description	Comment
-----	------------	-----	-------------	---------



Models: C4RE
PANEL
CENTER
JOHN DEERE AND CAT, METRIC SPEEDO

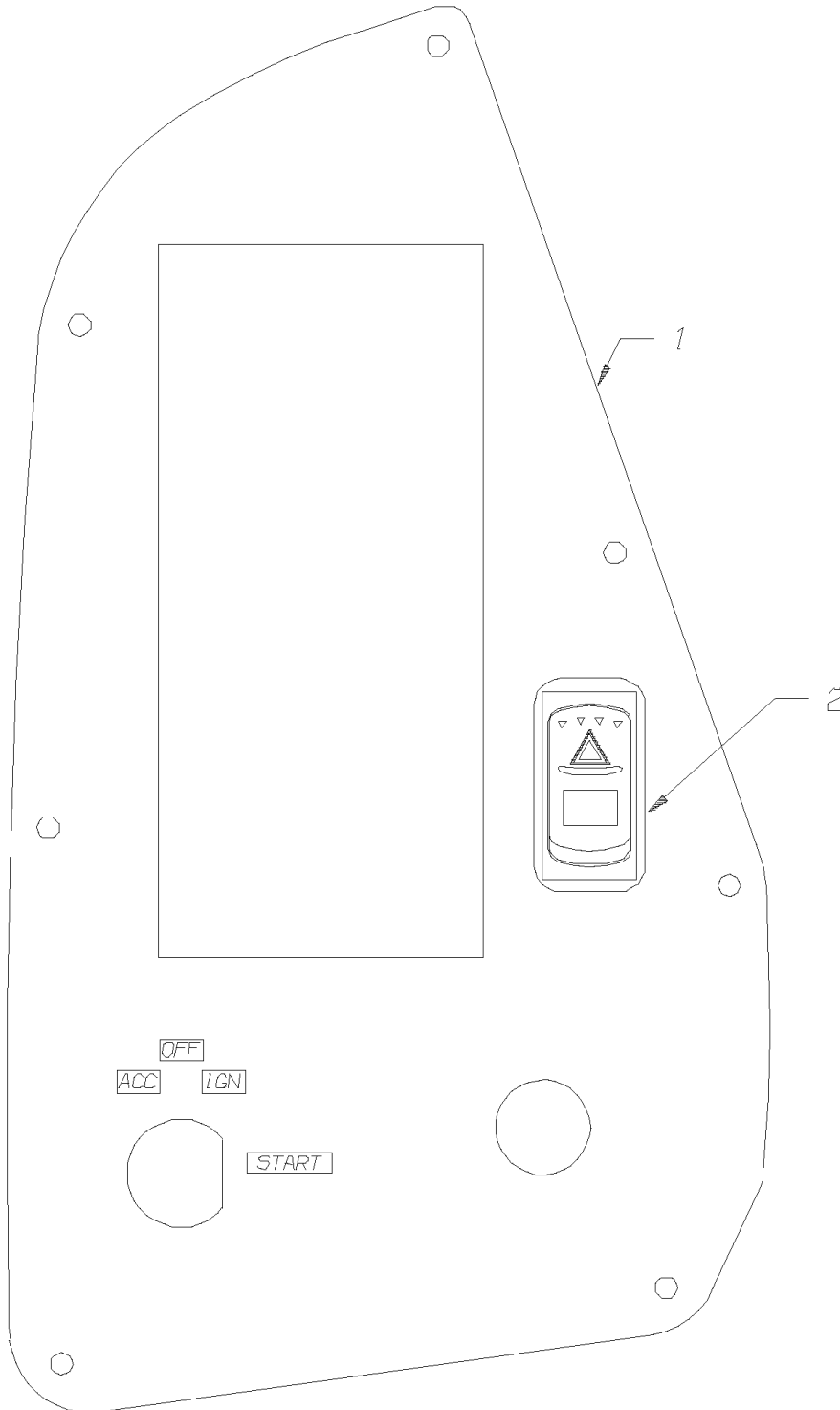
Key	PartNumber	Qty	Description	Comment
	0054220		PANEL,INST,CTR,W/METRIC SPEEDO,JD,CAT,	CONSIST OF THE FOLLOWING
	0041258		PANEL,INSTRUMENT,CENTER, C4RE	CONSIST OF THE FOLLOWING
1	0036896		GAUGE,AIR,FRONT,DATA LINK,PI	
2	0036905		INSTRUMENTATION,TELLTALE BAR,C4RE	
3	0036898		GAUGE,FUEL,DATA LINK,PI	
4	0036897		GAUGE,AIR,REAR,DATA LINK,PI	
5	0055309		GAUGE,SPEEDO,W/ODOMETER,BLACK	
7	0036894		GAUGE,TACHOMETER,W/HOURMETER,DATA	
8	0036899		GAUGE,OIL PRESSURE,DATA LINK,PI	
9	0036895		GAUGE,VOLTMETER,DATA LINK,PI	
10	0036900		GAUGE,COOLANT TEMP,DATA LINK,PI	
11	0042122	6	RING,MTG,PI,2.375	
12	0042125	2	RING,MTG,PI,3.750	
13	0042383		HARNES,WRG,DATA LINK DAISY CHAIN,DASH,	
	0054221		PANEL,INST,CTR,W/MET SPD,W/TRN TMP,JD,	CONSIST OF THE FOLLOWING
	0041259		PANEL,INSTRUMENT,CENTER,W/TRANS TEMP,	CONSIST OF THE FOLLOWING
1	0036896		GAUGE,AIR,FRONT,DATA LINK,PI	
2	0036905		INSTRUMENTATION,TELLTALE BAR,C4RE	
3	0036898		GAUGE,FUEL,DATA LINK,PI	
4	0036897		GAUGE,AIR,REAR,DATA LINK,PI	
5	0055309		GAUGE,SPEEDO,W/ODOMETER,BLACK	
6	0036969		GAUGE,TRANSMISSION OIL TEMP,DATA LINK,PI	
7	0036894		GAUGE,TACHOMETER,W/HOURMETER,DATA	

Models: C4RE
PANEL
CENTER
JOHN DEERE AND CAT, METRIC SPEEDO

Key	PartNumber	Qty	Description	Comment
8	0036899		GAUGE,OIL PRESSURE,DATA LINK,PI	
9	0036895		GAUGE,VOLTMETER,DATA LINK,PI	
10	0036900		GAUGE,COOLANT TEMP,DATA LINK,PI	
11	0042122	7	RING,MTG,PI,2.375	
12	0042125	2	RING,MTG,PI,3.750	
13	0042383		HARNES,WRG,DATA LINK DAISY CHAIN,DASH,	
NI	0039787		GAUGE,BLUE BIRD LOGO,DATA LINK,PI	

Models: C4RE
PANEL
LEFT

Key	PartNumber	Qty	Description	Comment
-----	------------	-----	-------------	---------

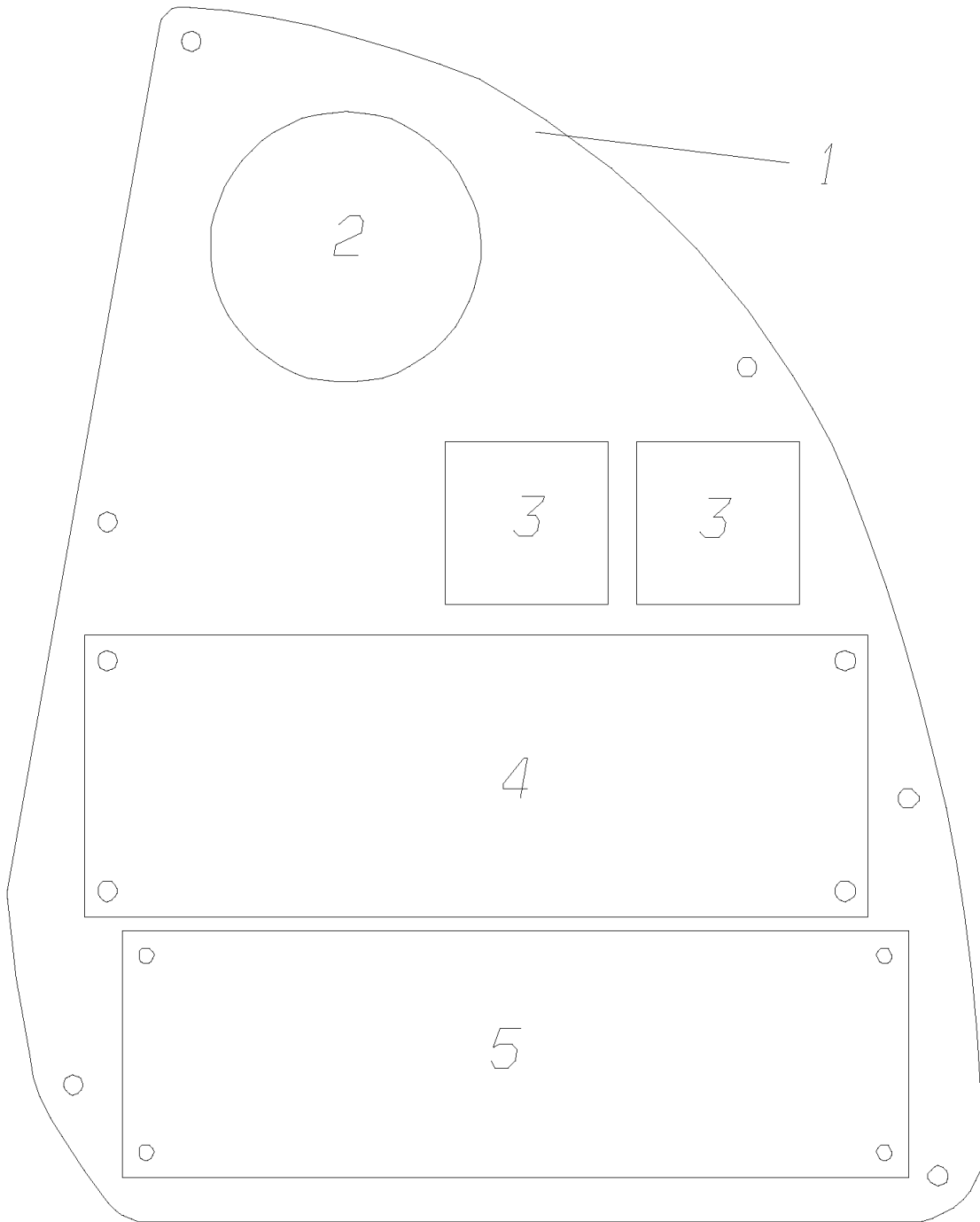


Models: C4RE
 PANEL
 LEFT

Key	PartNumber	Qty	Description	Comment
1	0054934		PANEL,INSTRUMENT,LEFT,W/O KEY SW, C4RE	
1	0054311		PANEL,INSTRUMENT,LEFT,W/ KEY SW, C4RE	<i>WITH IGNITION SWITCH</i>
NI	1010685		SWITCH,IGN	<i>STANDARD</i>
2	0040070		SWITCH,ROCKER,NGR,HAZARD	
NI	0031122		SELECTOR,SHIFT,PUSHBUTTON,3000 SRS,	
NI	0032239		VALVE ASSY,PARKING BRAKE,PP-1, RCDA	
NI	0032235		VALVE,PARKING BRAKE,PP-1	
NI	1315100	6	SCREW,MACH,10-32X1,PHI,PAN HD,BLK	
NI	1315118	6	WELLNUT Q-1032,.377 X 5/8	

Models: C4RE
PANEL
RIGHT

Key	PartNumber	Qty	Description	Comment
-----	------------	-----	-------------	---------



**Models: C4RE
PANEL
RIGHT**

Key	PartNumber	Qty	Description	Comment
1	0053723		PANEL,INSTRUMENT,RIGHT, C4RE	
2	0042230		LOUVRE ASSY,GLOBAL,2.00,REVCOR 2385-A-2	
3			INCLUDED WITH MIRROR	
4	4635736		PANEL,CONTROL,A/C,KYSOR WESTRAN 1998WL	
4	1401587	4	SCREW,8-32 X 3/4, PH1, RD HD, BLK ZINC	
4	2001253	4	NUT,HEX HD,8-32,YELLOW DICHROMATE	
5			PA - RADIO	
5	1667948	4	SCREW,MACH,6-32 X 1/2,PH1,RD HD,BLK ZN	
5	1711191	4	NUT,HEX HD,6-32,YEL ZN DICH	
NI	1315100	6	SCREW,MACH,10-32X1,PHI,PAN HD,BLK	
NI	1315118	6	WELLNUT Q-1032,.377 X 5/8	