

**Chassis**

**130 Suspension**

AIR

FRONT

HENDRICKSON PARASTEER

INSTALLATION

*With: FEATURE 40004-07  
From CSN 10096835 30096825*

1

KIT PARTS BREAKDOWN

*With: FEATURE 40004-07  
From CSN 10096835 30096825*

2

RIDEWELL

*With: FEATURE 40004-08*

3

INSTALLATION

*With: FEATURE 40004-08*

4

FRONT AND REAR

HENDRICKSON

AIR PIPING

*With: FEATURE 40004-05, -07, 40005-06*

5

HENDRICKSON AND RIDEWELL

AIR PIPING

*With: FEATURE 40004-07, -08  
To CSN 10150684*

6

*With: FEATURE 40004-07, -08  
From CSN 10150685*

7

HENDRICKSON WITH KNEELING FEATURE

AIR PIPING

*With: FEATURE 40004-07 WITH 4569*

8

KNEELING FEATURE

VALVE ASSEMBLIES

R12, CONTROL, PRES/REG, DOUBLE CHECK, RIDEWELL

*With: OPTION 4569*

9

WITH HENDRICKSON

*With: OPTION 4569 WITH OPTION 40004-07*

10

WITH RIDEWELL

*With: OPTION 4569 WITH OPTION 4558-02, or 40004-08*

11



### REAR

#### HENDRICKSON, COMFORT AIR AIR PIPING

*With: FEATURE 40005-03, -06* \_\_\_\_\_ 12

#### BREAKDOWN

*With: FEATURE 40005-05,-06* \_\_\_\_\_ 13

#### INSTALLATION

*With: FEATURE 40005-06* \_\_\_\_\_ 14

### RIDEWELL

#### INSTALLATION

*With: FEATURE 40005-07  
To CSN 10150684* \_\_\_\_\_ 15

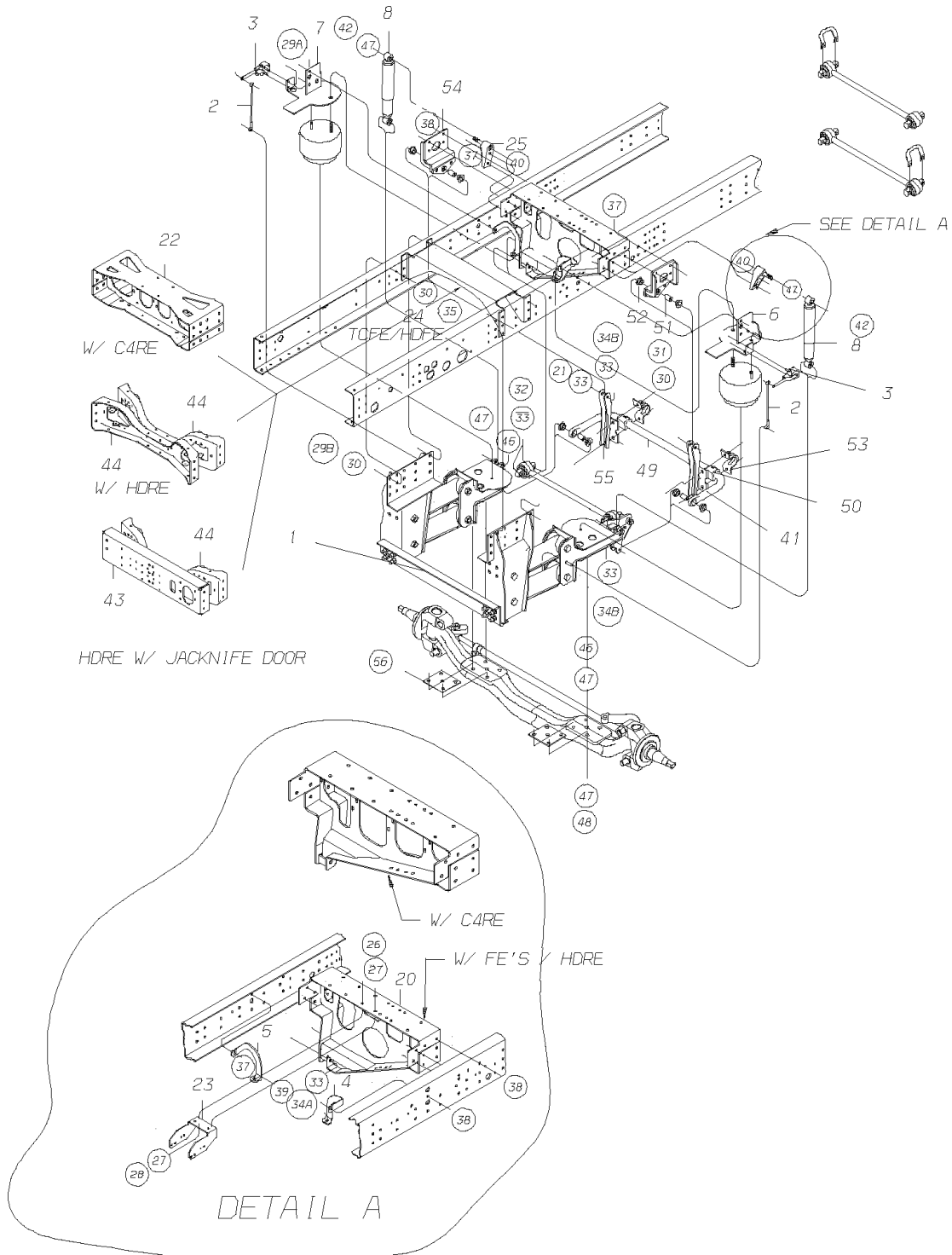
*With: FEATURE 40005-07  
From CSN 10150685* \_\_\_\_\_ 16

### RC23 AXLE

*With: FEATURE 40004-07* \_\_\_\_\_ 17

**Models:** A3FE, A3RE, C1FE, C3FE, C4RE, CSFE, TCFE, TSFE  
**AIR**  
**FRONT**  
**HENDRICKSON PARASTEER**  
**INSTALLATION**  
**With:** FEATURE 40004-07  
**BSN:** From CSN 10096835 30096825

Key PartNumber Qty Description Comment



**Models:** A3FE, A3RE, C1FE, C3FE, C4RE, CSFE, TCFE, TSFE  
**AIR FRONT HENDRICKSON PARASTEER INSTALLATION**  
**With: FEATURE 40004-07**  
**BSN: From CSN 10096835 30096825**

Key	PartNumber	Qty	Description	Comment
2	0015248	2	LINK ASSY,LVLG VLV,HENDRICKSON 58994-010	
3	0014860		VALVE ASSY,HT CONTROL,HENDRICKSON	
	0014415		KIT,FRM COMP,SUSP,FRT,HEND 59553-000	CONSISTS OF ITEMS 4 THRU 7
4	0006606		BRACKET,REINFORCEMENT,AIR SPRING 002130	
5	0006609		BRACKET,REINFORCEMENT, AIR SPRING	
6	0006624		PLATE,AIR SPRING,UPPER LH 002270-1	
7	0006622		PLATE,AIR SPRING,UPPER RH 002270-02	
8	0040015	2	SHOCK ABSORBER,FRT,HENDRICKSON 60998	
20	0023372		CROSSMEMBER ASSY,TRACK ROD,8.5 RIDE HT	8.5 RIDE HT. ALL EXCEPT C4RE
20	0033592		CROSSMEMBER ASSY,TRACK ROD,, RE	
21	0014348	4	CAPSCREW,HEX HEAD,5/8-11X3.75 GR8,YEL	
22	0032222		CROSSMEMBER ASSY,FRT,FRT SUSP	
23	0020089		BRACKET,MTG,MODULATOR VALVE,ABS	
24	1969716		CROSSMEMBER,TRANSMISSION CLEARANCE,	
24	1969815		CROSSMEMBER,TRANSMISSION CLEARANCE,	
25	0043465	2	BRACKET,MOUNTING,SHOCK TO FRAME,FRONT	
26	0801936	2	CAPSCREW,HEX HD,7/16-14X1 1/4,GR8,	
27	2028546	4	WASHER,FLAT,7/16,X 1 1/32 X 5/64,YL ZN	
28	0997080	2	NUT,HEX HD,7/16-14,LOCKING,GR 8,CADMIUM	
29	0850800	2	NUT,HEX HD,1/2-13,LOCKING,GR 8,CAD WAX	
29	0850800	46	NUT,HEX HD,1/2-13,LOCKING,GR 8,CAD WAX	
30	1003045	78	WASHER,FLAT,17/32 X 1 1/16 X 7/64,HDN,	
31	1942135	14	CAPSCREW,HEX HD 1/2-13X 1 1/4,GR8,	

**Models:** A3FE, A3RE, C1FE, C3FE, C4RE, CSFE, TCFE, TSFE  
**AIR**  
**FRONT**  
**HENDRICKSON PARASTEER**  
**INSTALLATION**  
**With: FEATURE 40004-07**  
**BSN: From CSN 10096835 30096825**

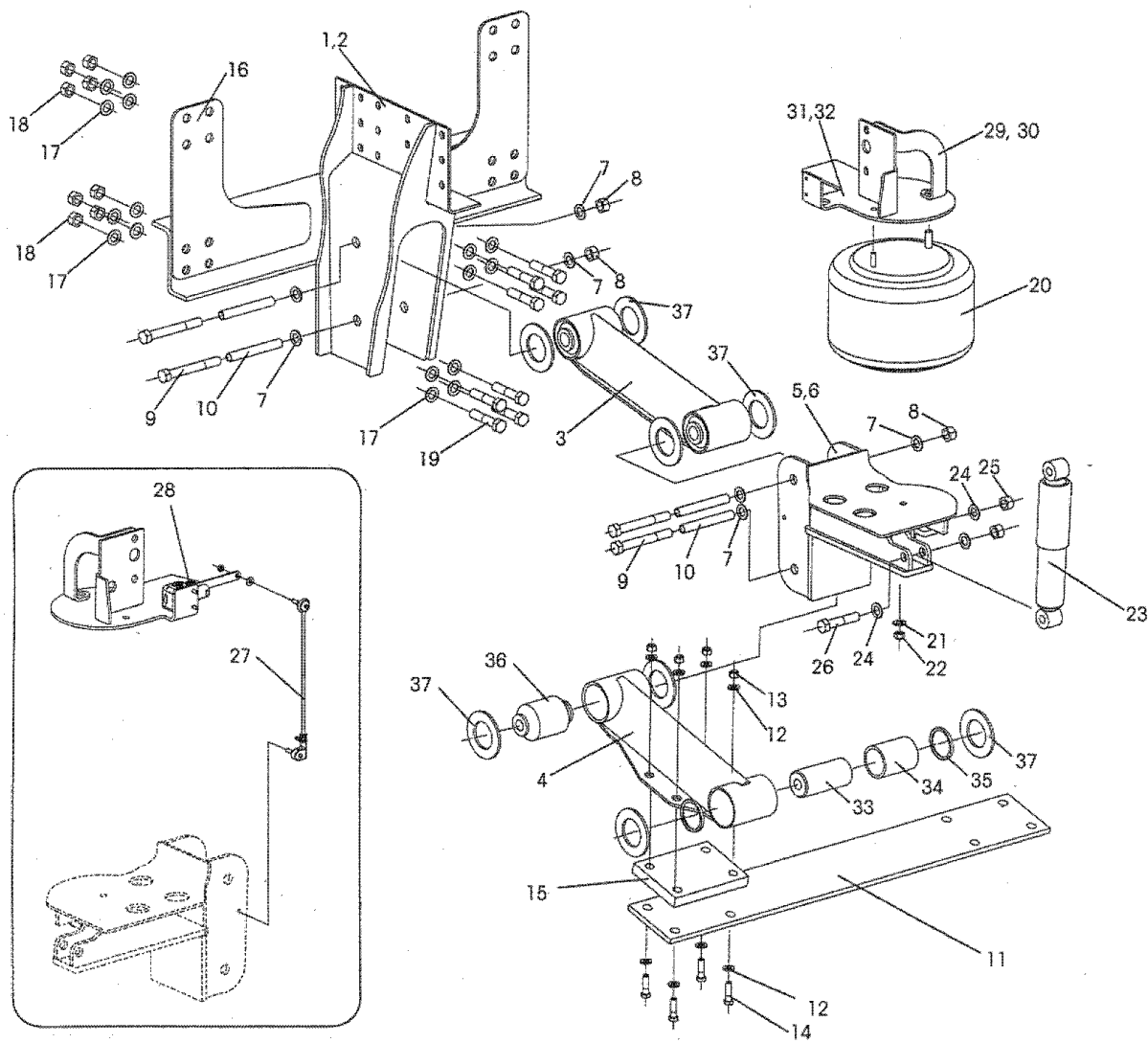
Key	PartNumber	Qty	Description	Comment
32	1022805	2	CAPSCREW,HEX HD,5/8-11 X 5,GR 8,YEL ZN	
33	0870907	4	WASHER,FLAT,11/16 X 1 3/16 X 1/8,BLK ZN	
34	0939827	2	NUT,HEX HD,5/8-11,GR 8,LOCK,CADMIUM WAX	
34	0939827	4	NUT,HEX HD,5/8-11,GR 8,LOCK,CADMIUM WAX	
35	0803239	28	CAPSCREW,HEX HD,1/2-13 X1 1/2,GR8	
36	4609871		GREASE,AQUALUBE,SWAY BAR	
39	0985549	2	NUT,HEX HD,3/4-16,NYLON LOCK,YEL ZN DICH	
40	1317783	2	CAPSCREW,HEX HD,3/4-10 X 5,GR 8,YEL ZN	
41	0020088	2	BRACKET,RETAINER,BUSHING,STAB BAR,2.12	
42	0933879	4	NUT,HEX HD,3/4-10,PRVLG TORQ,GR8,CAD	
43	1487826		CROSSMEMBER,FLAT,FRONT W/AIR SUSP,TCRE,	
44	1807577		CROSSMEMBER,STAMPED,34 INCH	
45	0870873	2	CAPSCREW,HEX HD,3/4-10 X 4,GR 8,YEL ZN	
46	0008068	8	CAPSCREW,HEX HD,3/4-10X3,GR8,YELZNDICH	
47	0607036		WASHER,FLAT,13/16 X 1 3/8 X 7/64 ZP,HRD	
48	1023464	8	NUT,HEX HD,3/4-10,HVY,NY INS,GR8,YEL	
49	0027286		BAR,TORSION,1.75 IN O.D.,FRONT SUSP,HEND	
50	0040030	2	BUSHING,MIDSECTION,1.75 ID,ADDCO	
51	0030668	4	BUSHING,LINK,STABILIZER BAR	
52	0030670	8	BUSHING,STABILIZER BAR,URETHANE,ADDCO	
53	0024706	2	BRACKET,MIDSECTION,ADDCO RH801	
54	0035459	2	BRACKET ASSY,MOUNTING,STAB BAR,FRONT,	
55	0043209	2	LINK,STABILIZER BAR"	

**Models:** A3FE, A3RE, C1FE, C3FE, C4RE, CSFE, TCFE, TSFE  
**AIR**  
**FRONT**  
**HENDRICKSON PARASTEER**  
**INSTALLATION**  
**With: FEATURE 40004-07**  
**BSN: From CSN 10096835 30096825**

Key	PartNumber	Qty	Description	Comment
56	0046585	2	PLATE,SPACER,,SUSPENSION,25TK	<i>C4RE ONLY</i>

**Models:** C4RE  
 AIR  
 FRONT  
 HENDRICKSON PARASTEER  
 KIT PARTS BREAKDOWN  
**With:** FEATURE 40004-07  
**BSN:** From CSN 10096835 30096825

Key	PartNumber	Qty	Description	Comment
-----	------------	-----	-------------	---------



**Models:** C4RE  
**AIR**  
**FRONT**  
**HENDRICKSON PARASTEER**  
**KIT PARTS BREAKDOWN**  
**With: FEATURE 40004-07**  
**BSN: From CSN 10096835 30096825**

Key	PartNumber	Qty	Description	Comment
	0042601		SUSPENSION ASSY,HEND 60300-012, C4RE	CONSISTS OF THE FOLLOWING
1	0006704		HANGER ASSEMBLY,LH	
2	0006710		HANGER ASSEMBLY,RH	
3	0006711	2	BEAM ASSEMBLY,UPPER 002571	
4	0006711	2	BEAM ASSEMBLY,UPPER 002571	
5	0039759		AXLE SEAT,HENDRICKSON	
6	0049050		AXLE SEAT WELDMENT, RH TS/C1/TC FLT FLR	
10	0023031		TUBE,PLASTIC LINER,HENDRICKSON,59504	
	0006729		KIT,BOLT,AIR SPRING 002276	INCLUDES KEY NUMBERS 20, 21, AND 22
20			AIR SPRING	
21			HARDENED FLAT WASHER	
22			NYLOCK NUT	
23	0040015		SHOCK ABSORBER,FRT,HENDRICKSON 60998	
27	0015248		LINK ASSY,LVLG VLV,HENDRICKSON 58994-010	
28	0014860		VALVE ASSY,HT CONTROL,HENDRICKSON	
	0014415		KIT,FRM COMP,SUSP,FRT,HEND 59553-000	INCLUDES KEY NUMBERS 29, 30, 31, AND 32
29	0066066		ARM ASSY,MIRROR,PASS,W/BRACE,SS,HTD,	
30	0006609		BRACKET,REINFORCEMENT, AIR SPRING	
31	0006624		PLATE,AIR SPRING,UPPER LH 002270-1	
32	0006622		PLATE,AIR SPRING,UPPER RH 002270-02	
	0035138		KIT,UPR & LWR TORQUE ARM FRT/REAR BUSH	INCLUDES KEY NUMBERS 33, 34, 35, 36, AND 37
33	0038925	2	BUSHING,INNER METAL,HENDRICKSON	

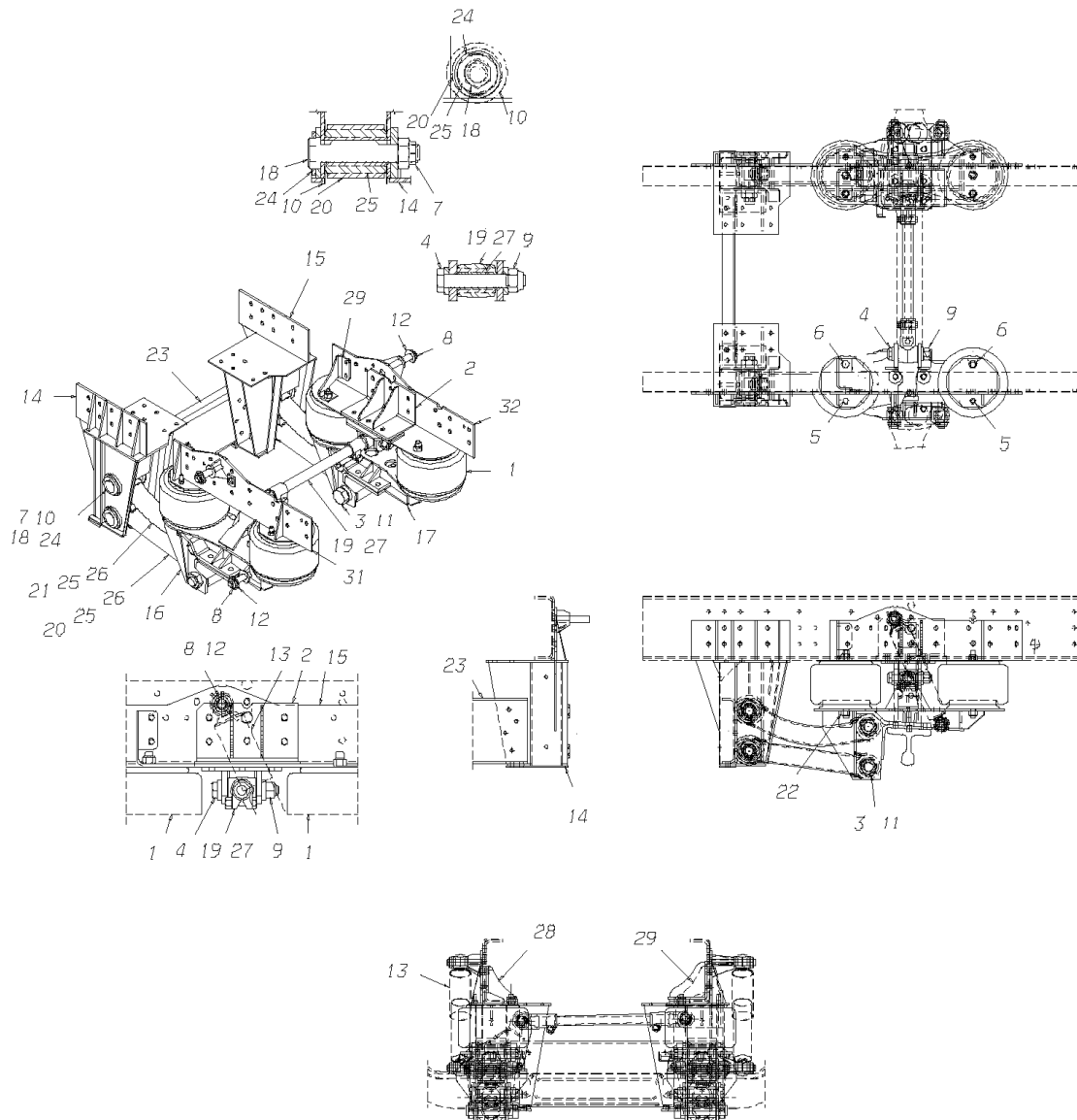


**Models:** C4RE  
 AIR  
 FRONT  
 HENDRICKSON PARASTEER  
 KIT PARTS BREAKDOWN  
**With:** FEATURE 40004-07  
**BSN:** From CSN 10096835 30096825

Key	PartNumber	Qty	Description	Comment
35	0029778	4	O-RING,SEAL,HENDRICKSON	
36	0029022	6	BUSHING,TORQUE ARM,	
37	0006722	16	WEAR PAD 002268	
	0025273	20	WASHER,3/4,HARDENED,STABILIZER SHOCK	
	0038339	16	WASHER,HARDENED,7/8",HENDRICKSON	
	0023033	4	WASHER,HENDRICKSON,22962-004	
	0023036		BOLT,HEX,5/8-11X7,HENDRICKSON,32043-007	
	0023035		BOLT,HEX,5/8-11 X 6.25	
	0023032	2	LOCKNUT,5/8-11,HENDRICKSON,47764-000	
	0025276		LOCKNUT,3/4",STABILIZER SHOCK KIT,	
	0034234		NUT,(ASSY 0011783), KEY #1	
	0023039		WASHER,THRUST,HENDRICKSON,59803-000"	
	0034244	8	BOLT,(ASSY 0011783),KEY #1	
	0020978		TRACK ROD,HENDRICKSON	
	0025275		HEX BOLT,3/4" X 2 1/4",STABILIZER SHOCK	

**Models:** C4RE  
**AIR**  
**FRONT**  
**RIDEWELL**  
**With:** FEATURE 40004-08

Key	PartNumber	Qty	Description	Comment
-----	------------	-----	-------------	---------



**Models:** C4RE  
**AIR**  
**FRONT**  
**RIDEWELL**  
**With:** FEATURE 40004-08

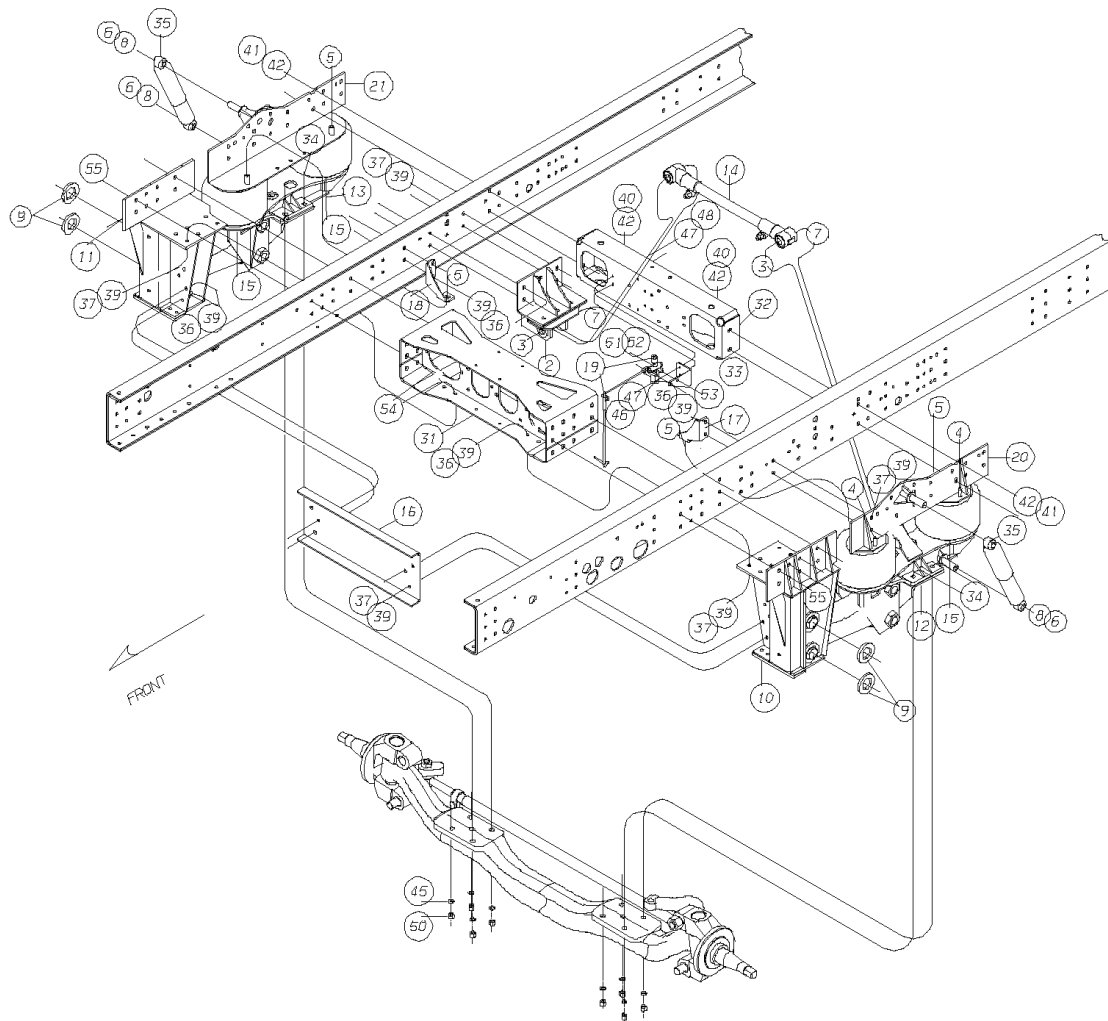
Key	PartNumber	Qty	Description	Comment
1	0059275	4	AIR SPRING,RDWL, C4	
2			SWAY BAR REINFORCEMENT, BRACKET - RH	
3	0961409	4	CAPSCREW,1 1/2-6 X 7 LONG PHOS & OIL	
4	0008803	2	HHCS 1" 8NC 6LG 1-1/4THR	
5	0961458	4	NUT,HEX HD,1/2-13,LOCKING,ZINC	
6		4	NUT 3/4 IN 16 NF STANDARD	
7	1077221	4	NUT,LOCK,1 1/4-7	
8	0008804	4	L'NUT 1 8NC THIN NYLON INSERT	
9	0008806	2	L'NUT 1" 8NC SPS FLEX LOCK	
10	1243807	8	WASHER,BEARING SLEEVE,RIDEWELL,.114	
11	0961417	4	WASHER,INT,TOOTH LOCK 1 1/2	
12		4	WASHER 1 SAE FLAT	
13	0036380	2	SHOCK ABSORBER,FRONT,KONI	
NI	0044792		BUSHING,SHOCK,KONI,0036380,Q4RE	
14			HANGER RAIL ASSEMBLY LH/BB	
15			HANGER RAIL ASSEMBLY RH/BB	
16			LBA RAS-227 LH	
17			LBA RAS-227 RH	
18	0039927	4	BOLT ASSY,ECCENTRIC,RIDEWELL,LTC	
19	4317202		SWAY BAR ASSY,RIDEWELL,5037264B335"	
20	1064385		TORQUE BEAM ASSY,LOWER,RIDWL,RR SUSP,	
21	4317319		TORQUE BEAM ASSY,UPPER,5065030B000"	
22		4	NUT, LOCK 3/4 IN 10NC-NYL INSERT WAS	

**Models:** C4RE  
 AIR  
 FRONT  
 RIDEWELL  
**With:** FEATURE 40004-08

Key	PartNumber	Qty	Description	Comment
23	1626605		CHANNEL,CROSSBRACE,GUSSETED,FRT,RIDWL,	
24		4	ANTI TURN WASHER	
25	4317285	10	BUSHING,TORQUE BEAM,7" OD,1110512B000"	
26	0961573	10	BUSHING,TORQUE BEAM,SOFT RUBBER	
27	2159879		BUSHING,SWAY BAR,RIDEWELL SUSPENSION"	
28			SPRING/FRAME MT BRACKET - LH	
29			SPRING/FRAME MT BRACKET - RH	
NI	0059276		KIT,HEIGHT CONTROL VALVE,RDWL,C4	

Models: C4RE  
 AIR  
 FRONT  
 RIDEWELL  
 INSTALLATION  
 With: FEATURE 40004-08

Key	PartNumber	Qty	Description	Comment
-----	------------	-----	-------------	---------



**Models:** C4RE  
 AIR  
 FRONT  
 RIDEWELL  
 INSTALLATION  
**With:** FEATURE 40004-08

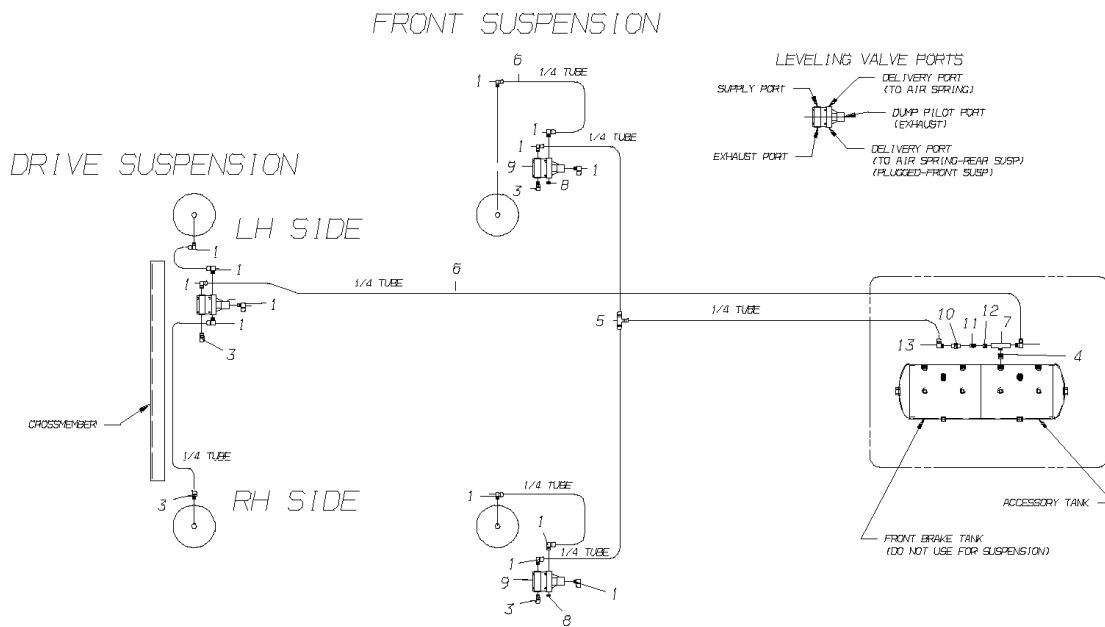
Key	PartNumber	Qty	Description	Comment
1	0059275	4	AIR SPRING,RDWL, C4	
2			SWAY BAR REINFORCEMENT BRACKET - RH	
3	0008803	2	HHCS 1" 8NC 6LG 1-1/4THR	
4	0961458	4	NUT,HEX HD,1/2-13,LOCKING,ZINC	
5		4	NUT, 3/4 IN 16 NF STANDARD	
6	0008804	4	L'NUT 1 8NC THIN NYLON INSERT	
7	0008806	2	L'NUT 1" 8NC SPS FLEX LOCK	
8		4	LOCKWASHER, 1.50 INT TOOTH	
9	0961375	4	WASHER,ANTI-TURN	
10			HANGER BEAN ASSEMBLY-LH	
11			HANGER BEAM ASSEMBLY-RH	
12			LOWER BEAM ASSEMBLY, RAS-227 LH	
13			LOWER BEAM ASSEMBLY, RAS-227 RH	
14	4317202		SWAY BAR ASSY,RIDEWELL,5037264B335"	
15	0961276	4	NUT,HEX HD,3/4-10,LOCKING,YEL ZN DICH	
16	1626605		CHANNEL,CROSSBRACE,GUSSETED,FRT,RIDWL,	
17			SPRING/FRAME MT BRACKET - LH	
18			SPRING/FRAME MT BRACKET - RH	
19	0059276		KIT,HEIGHT CONTROL VALVE,RDWL,C4	
20			AIR SPRING MTG ASSEMBLY, LH	
21			AIR SPRING MTG ASSEMBLY, RH	
31	0032213		CROSSMEMBER ASSY,FRT,RR SUSP	
32	0032080		CROSSMEMBER ASSY,RR,RR SUSP	

**Models:** C4RE  
**AIR**  
**FRONT**  
**RIDEWELL**  
**INSTALLATION**  
**With:** **FEATURE 40004-08**

Key	PartNumber	Qty	Description	Comment
33	0039455		BRACKET,MOUNTING,LEVELING VALVE	
34	0039465	8	PLATE,REINF,FRM,OUTSIDE,TRACK ROD,REAR,	
35	0036380	2	SHOCK ABSORBER,FRONT,KONI	
NI	0044792	2	BUSHING,SHOCK,KONI,0036380,Q4RE	
36	0803239	32	CAPSCREW,HEX HD,1/2-13 X1 1/2,GR8	
37	0850800	32	NUT,HEX HD,1/2-13,LOCKING,GR 8,CAD WAX	
38	0039436	2	ANGLE,TIE DOWN,BODY,REAR SUSP, RE	
39	1003045	64	WASHER,FLAT,17/32 X 1 1/16 X 7/64,HDN,	
40	1107895	4	CAPSCREW,HEX HD,5/8-11 X 2,GR8,YEL ZN	
42	0929018	24	WASHER,FLAT,21/32 X 1 1/8 X 3/32,HDN,YEL	
43	0939835	8	CAPSCREW,HEX HD,5/8-11 X2 1/2,GR8,	
46	0854406		CAPSCREW,HEX HD,5/16-18 X 1,GR8,YEL ZN	
47	2001048	4	WASHER,FLAT,11/32 X 11/16 X 1/16,YEL	
48	1142603	2	NUT,HEX HD,5/16-18,GR 8,YELLOW	
49	0607036	16	WASHER,FLAT,13/16 X 1 3/8 X 7/64 ZP,HRD	
50	1023464	8	NUT,HEX HD,3/4-10,HVY,NY INS,GR8,YEL	
51	1092337	2	CAPSCREW,HEX HD,1/4-20 X 2,GR 5,YEL ZN	
52	1247709	2	WASHER,FLAT,17/64 ID X,5/8,YEL ZN DICH	
53	1465947	2	NUT,HEX HD,1/4-20,LK,NYLON INSERT,YEL	
54			HUCK FASTENER	
55			HUCK FASTENER	

**Models:** A3RE, C4RE, CSRE, QBRE, TCRE  
**AIR FRONT AND REAR HENDRICKSON AIR PIPING**  
**With:** FEATURE 40004-05, -07, 40005-06

Key	PartNumber	Qty	Description	Comment
-----	------------	-----	-------------	---------



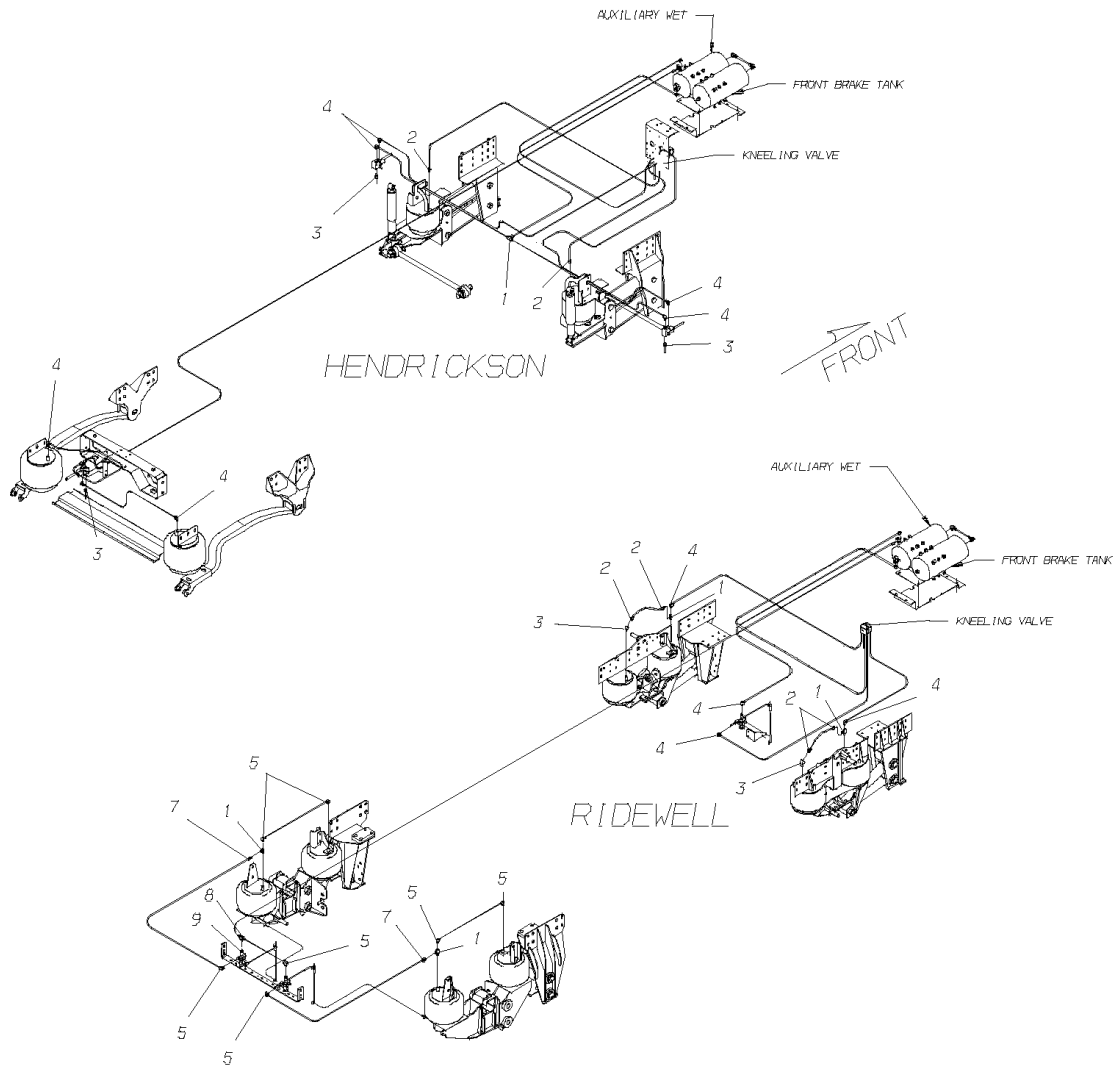


**Models:** A3RE, C4RE, CSRE, QBRE, TCRE  
**AIR**  
**FRONT AND REAR**  
**HENDRICKSON**  
**AIR PIPING**  
**With:** FEATURE 40004-05, -07, 40005-06

Key	PartNumber	Qty	Description	Comment
1	0009912	13	ELBOW,90 DEG,MALE1869X4X4-Z,.25MPT	
2	0009913		ELBOW,90 DEG,MALE1869X4X6-Z,.38MPT	
3	0009922	4	CONNECTOR,MALE,1868X4X4-Z,.25MPT X .25"	
4	2027134		BUSHING,PIPE,3/8 X 1/4,BRASS	
5	0009987		TEE,UNION,1864X4,.25T	
6	0654962	60	TUBING,PLASTIC,1/4 OD,BLACK,SAE J844 TYPE	
7	0559047		TEE,MALE,BRANCH,1/4 PIPE,3600X4	
8	2023513	2	PLUG,PIPE,1/4,ALLEN HEX HD,BRASS	
9	0014860	3	VALVE ASSY,HT CONTROL,HENDRICKSON	
10	1164870		VALVE,CHECK,1/8 PIPE,HUMPHREY C-125	
11	2051381		NIPPLE,BRASS,1/8 CLOSE 3326 X 2	
12	2008050		BUSHING,PIPE,1/8 TO 1/4,BRASS	
13	0009903		ELBOW,90 DEG,MALE1869X4-Z,.13MPT X .25T	

**Models:** C4RE  
 AIR  
 FRONT AND REAR  
 HENDRICKSON AND RIDEWELL  
 AIR PIPING  
**With:** FEATURE 40004-07, -08  
 To CSN 10150684

Key	PartNumber	Qty	Description	Comment
-----	------------	-----	-------------	---------



**Models:** C4RE  
 AIR  
 FRONT AND REAR  
 HENDRICKSON AND RIDEWELL  
 AIR PIPING  
**With:** FEATURE 40004-07, -08  
 To CSN 10150684

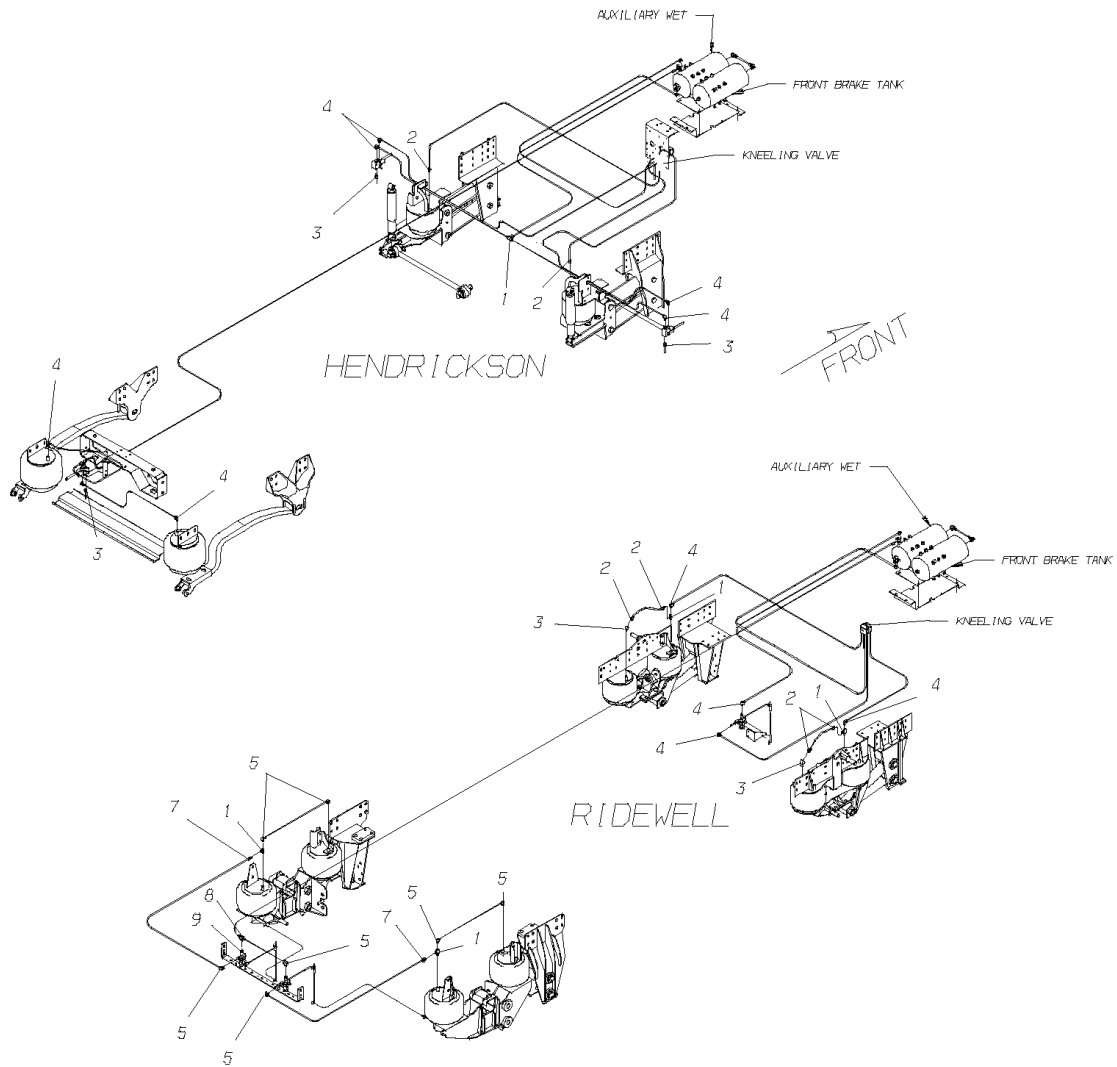
Key	PartNumber	Qty	Description	Comment
1	0009987		TEE,UNION,1864X4,.25T	HENDRICKSON
2	0009924	2	CONNECTOR,MALE,1868X6-Z,.25MPT X .38T"	HENDRICKSON
3	0009922	3	CONNECTOR,MALE,1868X4X4-Z,.25MPT X .25T"	HENDRICKSON
4	0009912	9	ELBOW,90 DEG,MALE1869X4X4-Z,.25MPT	HENDRICKSON
	0654962		TUBING,PLASTIC,1/4 OD,BLACK,SAE J844 TYPE	HENDRICKSON
	1346824		TUBING,PLASTIC,1/4 OD,BLUE,SAE J844 TYPE A	HENDRICKSON
	1220060		TUBING,PLASTIC,1/4 OD,GRAY,SAE J844 TYPE A	HENDRICKSON
	1346808		TUBING,PLASTIC,1/4 OD,ORANGE,SAE J844	HENDRICKSON
	0012450		TUBING,PLASTIC,3/8 OD,ORANGE,SAE J844	HENDRICKSON
	1197177		TUBING,PLASTIC,1/2 OD,SILVER,SAE J844 TYPE	HENDRICKSON
	0989319		TUBING,PLASTIC,3/8 OD,BLACK,SAE J844 TYPE	HENDRICKSON
1	0654277	4	TEE,STREET,1/4 PIPE,3750X4	RIDEWELL
2	0009924	4	CONNECTOR,MALE,1868X6-Z,.25MPT X .38T"	RIDEWELL
3	2027209	2	ELBOW,STREET,45 DEG,3350X4	RIDEWELL
4	0009914	4	ELBOW,90 DEG,MALE1869X6-Z,.25MPT X .38T"	RIDEWELL
5	0009912	7	ELBOW,90 DEG,MALE1869X4X4-Z,.25MPT	RIDEWELL
7	0009922	2	CONNECTOR,MALE,1868X4X4-Z,.25MPT X .25T"	RIDEWELL
8	0009929		TEE,MALE,BRANCH,1872X4-Z,.13MPT X .25T	RIDEWELL
9	2008050		BUSHING,PIPE,1/8 TO 1/4,BRASS	RIDEWELL
	0654962		TUBING,PLASTIC,1/4 OD,BLACK,SAE J844 TYPE	RIDEWELL
	1346824		TUBING,PLASTIC,1/4 OD,BLUE,SAE J844 TYPE A	RIDEWELL
	0012450		TUBING,PLASTIC,3/8 OD,ORANGE,SAE J844	RIDEWELL
	0013086		TUBING,PLASTIC,3/8 OD,GRAY,SAE J844 TYPE B	RIDEWELL

**Models:** C4RE  
 AIR  
 FRONT AND REAR  
 HENDRICKSON AND RIDEWELL  
 AIR PIPING  
**With:** FEATURE 40004-07, -08  
 To CSN 10150684

Key	PartNumber	Qty	Description	Comment
	1197177		TUBING,PLASTIC,1/2 OD,SILVER,SAE J844 TYPE	RIDEWELL
	0989319		TUBING,PLASTIC,3/8 OD,BLACK,SAE J844 TYPE	RIDEWELL

**Models:** C4RE  
 AIR  
 FRONT AND REAR  
 HENDRICKSON AND RIDEWELL  
 AIR PIPING  
**With:** FEATURE 40004-07, -08  
**BSN:** From CSN 10150685

Key	PartNumber	Qty	Description	Comment
-----	------------	-----	-------------	---------



**Models:** C4RE  
 AIR  
 FRONT AND REAR  
 HENDRICKSON AND RIDEWELL  
 AIR PIPING  
**With:** FEATURE 40004-07, -08  
**BSN:** From CSN 10150685

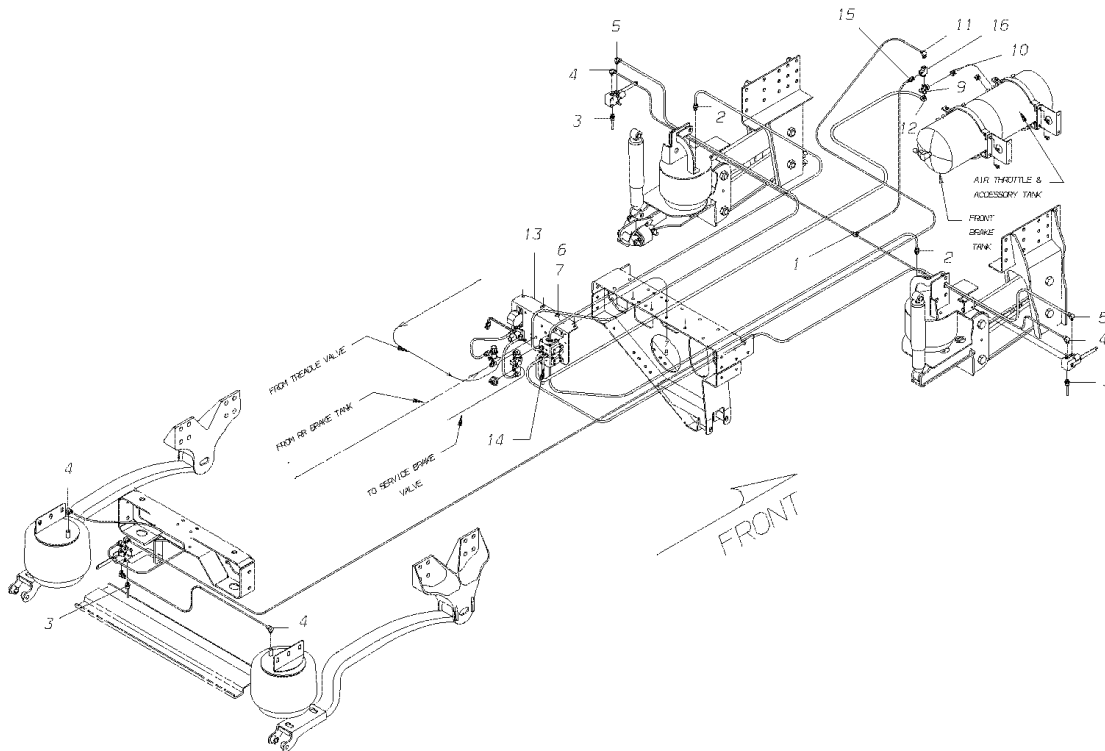
Key	PartNumber	Qty	Description	Comment
1	0009987		TEE,UNION,1864X4,.25T	HENDRICKSON PLUMBING COMPONENTS
2	0009924	2	CONNECTOR,MALE,1868X6-Z,.25MPT X .38T"	HENDRICKSON PLUMBING COMPONENTS
3	0009922	3	CONNECTOR,MALE,1868X4X4-Z,.25MPT X .25T"	HENDRICKSON PLUMBING COMPONENTS
4	0009912	7	ELBOW,90 DEG,MALE1869X4X4-Z,.25MPT	HENDRICKSON PLUMBING COMPONENTS
5	0009914	2	ELBOW,90 DEG,MALE1869X6-Z,.25MPT X .38T"	HENDRICKSON PLUMBING COMPONENTS
	0654962		TUBING,PLASTIC,1/4 OD,BLACK,SAE J844 TYPE	HENDRICKSON TUBING
	1346824		TUBING,PLASTIC,1/4 OD,BLUE,SAE J844 TYPE A	HENDRICKSON TUBING
	1220060		TUBING,PLASTIC,1/4 OD,GRAY,SAE J844 TYPE A	HENDRICKSON TUBING
	1346808		TUBING,PLASTIC,1/4 OD,ORANGE,SAE J844	HENDRICKSON TUBING
	0012450		TUBING,PLASTIC,3/8 OD,ORANGE,SAE J844	HENDRICKSON TUBING
	1197177		TUBING,PLASTIC,1/2 OD,SILVER,SAE J844 TYPE	HENDRICKSON TUBING
	0989319		TUBING,PLASTIC,3/8 OD,BLACK,SAE J844 TYPE	HENDRICKSON TUBING
1	0654277	4	TEE,STREET,1/4 PIPE,3750X4	RIDEWELL PLUMBING COMPONENTS
2	0009924	4	CONNECTOR,MALE,1868X6-Z,.25MPT X .38T"	RIDEWELL PLUMBING COMPONENTS
3	2027209	2	ELBOW,STREET,45 DEG,3350X4	RIDEWELL PLUMBING COMPONENTS
4	0009914	4	ELBOW,90 DEG,MALE1869X6-Z,.25MPT X .38T"	RIDEWELL PLUMBING COMPONENTS
5	0009912	7	ELBOW,90 DEG,MALE1869X4X4-Z,.25MPT	RIDEWELL PLUMBING COMPONENTS
6	4760380	2	FITTING PLUG M12	RIDEWELL PLUMBING COMPONENTS
7	0009922	2	CONNECTOR,MALE,1868X4X4-Z,.25MPT X .25T"	RIDEWELL PLUMBING COMPONENTS
8	0009929		TEE,MALE,BRANCH,1872X4-Z,.13MPT X .25T	RIDEWELL PLUMBING COMPONENTS

**Models:** C4RE  
 AIR  
 FRONT AND REAR  
 HENDRICKSON AND RIDEWELL  
 AIR PIPING  
**With:** FEATURE 40004-07, -08  
**BSN:** From CSN 10150685

Key	PartNumber	Qty	Description	Comment
9	4760375	2	FITTING ADAPTOR M12X1/4NPT	RIDEWELL PLUMBING COMPONENTS
10	4760378	2	FITTING CONN MALE M12X1/4OD	RIDEWELL PLUMBING COMPONENTS
11	4760379		FITTING UNION ELBOW 1/4OD	RIDEWELL PLUMBING COMPONENTS
	0654962		TUBING,PLASTIC,1/4 OD,BLACK,SAE J844 TYPE	RIDEWELL TUBING
	1346824		TUBING,PLASTIC,1/4 OD,BLUE,SAE J844 TYPE A	RIDEWELL TUBING
	0012450		TUBING,PLASTIC,3/8 OD,ORANGE,SAE J844	RIDEWELL TUBING
	0013086		TUBING,PLASTIC,3/8 OD,GRAY,SAE J844 TYPE B	RIDEWELL TUBING
	1197177		TUBING,PLASTIC,1/2 OD,SILVER,SAE J844 TYPE	RIDEWELL TUBING
	0989319		TUBING,PLASTIC,3/8 OD,BLACK,SAE J844 TYPE	RIDEWELL TUBING

**Models:** A3RE, C4RE, CSRE, QBRE, TCRE  
**AIR**  
**FRONT AND REAR**  
**HENDRICKSON WITH KNEELING FEATURE**  
**AIR PIPING**  
**With:** FEATURE 40004-07 WITH 4569

Key	PartNumber	Qty	Description	Comment
-----	------------	-----	-------------	---------





**Models:** A3RE, C4RE, CSRE, QBRE, TCRE  
**AIR**  
**FRONT AND REAR**  
**HENDRICKSON WITH KNEELING FEATURE**  
**AIR PIPING**  
**With:** FEATURE 40004-07 WITH 4569

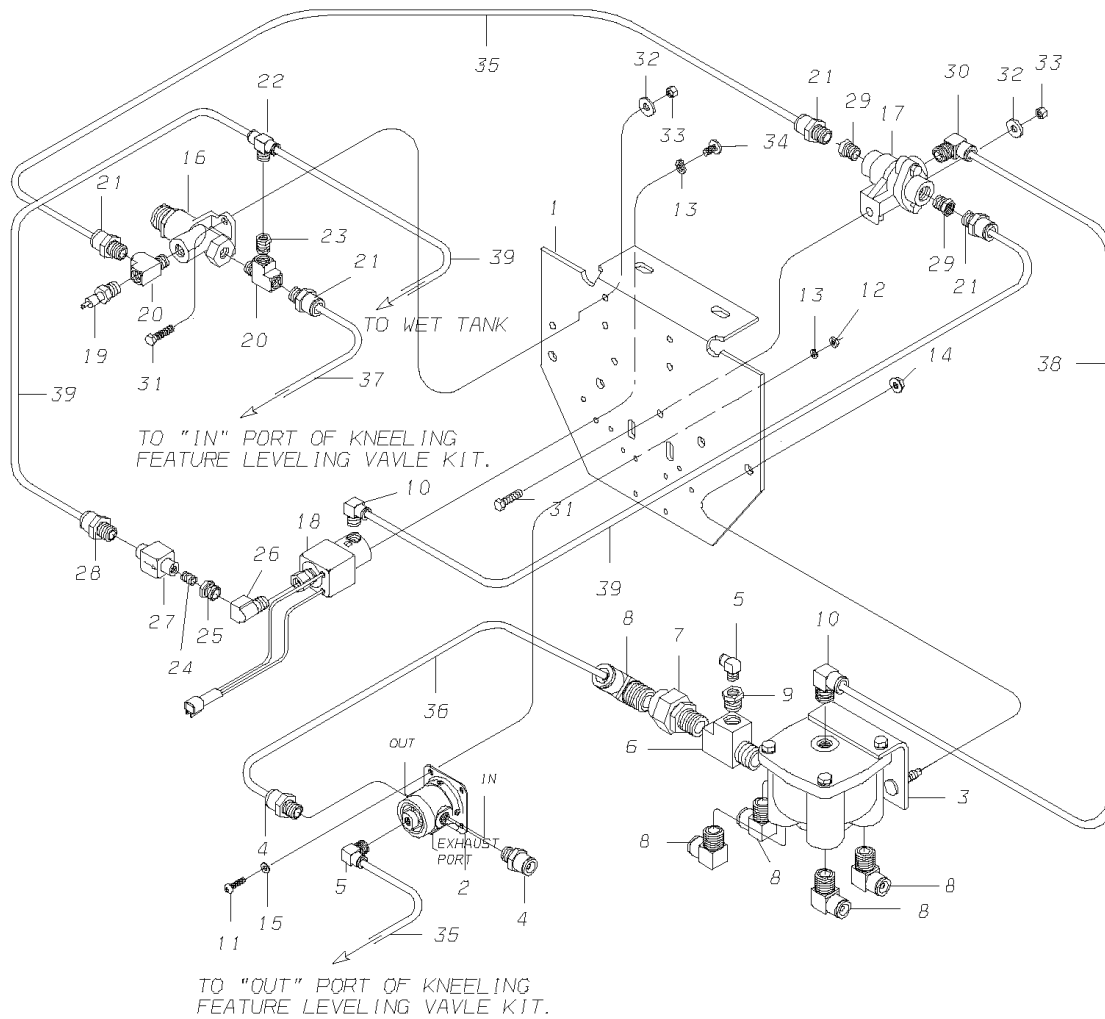
Key	PartNumber	Qty	Description	Comment
1	0009987		TEE,UNION,1864X4,.25T	
2	0009924	2	CONNECTOR,MALE,1868X6-Z,.25MPT X .38T"	
3	0009922	3	CONNECTOR,MALE,1868X4X4-Z,.25MPT X .25T"	
4	0009912	7	ELBOW,90 DEG,MALE1869X4X4-Z,.25MPT	
5	0009914	2	ELBOW,90 DEG,MALE1869X6-Z,.25MPT X .38T"	
6	0803213	4	CAPSCREW,HEX HD,3/8-16X1 1/4,GR8,YEL	
7	1107085	8	WASHER,FLAT,13/32 X 13/16 X 3/32,HDN,BLK	
8	0826297	4	NUT,HEX HD,3/8-16 LOCK,YEL ZN DICH	
9	1344183		VALVE,PRESS PROTECTION,66 PSI,GT	
10	2023539	2	BUSHING,PIPE,1/2MPT X 3/8FPT,3220X8X6Z,	
11	3772159		PLUG,PIPE,0.375,BRASS W/SEALANT,HEX HD	
12	0009906		ELBOW,90 DEG,MALE1869X8-Z,.38MPT X .50T	
13	0085108		VALVE ASSY,AIR,KNEELING,HEND SUSP, RE	
14	0012450	10	TUBING,PLASTIC,3/8 OD,ORANGE,SAE J844	
15	0023776		CONNECTOR,MALE,1868X4X6-Z,.38MPT X .25T	
16	1010065		TEE,STREET,3/8 PIPE 3750 X 6	
	0654962		TUBING,PLASTIC,1/4 OD,BLACK,SAE J844 TYPE	
	1346824		TUBING,PLASTIC,1/4 OD,BLUE,SAE J844 TYPE A	
	0012450		TUBING,PLASTIC,3/8 OD,ORANGE,SAE J844	
	1220060		TUBING,PLASTIC,1/4 OD,GRAY,SAE J844 TYPE A	
	1197177		TUBING,PLASTIC,1/2 OD,SILVER,SAE J844 TYPE	
	0012435		TUBING,PLASTIC,3/8 OD,BROWN,SAE J844	
	0012443		TUBING,PLASTIC,3/8 OD,GREEN,SAE J844 TYPE	

**Models:** A3RE, C4RE, CSRE, QBRE, TCRE  
AIR  
FRONT AND REAR  
HENDRICKSON WITH KNEELING FEATURE  
AIR PIPING  
**With:** FEATURE 40004-07 WITH 4569

Key	PartNumber	Qty	Description	Comment
	1220037		TUBING,PLASTIC,3/8 OD,RED,SAE J844 TYPE B	

**Models:** C4RE, QBRE  
**AIR**  
**KNEELING FEATURE**  
**VALVE ASSEMBLIES**  
**With:** R12, CONTROL, PRES/REG, DOUBLE CHECK, RIDEWELL  
**OPTION 4569**

Key	PartNumber	Qty	Description	Comment
-----	------------	-----	-------------	---------



**Models:** C4RE, QBRE  
**AIR**  
**KNEELING FEATURE**  
**VALVE ASSEMBLIES**  
**R12, CONTROL, PRES/REG, DOUBLE CHECK, RIDEWELL**  
**With:** **OPTION 4569**

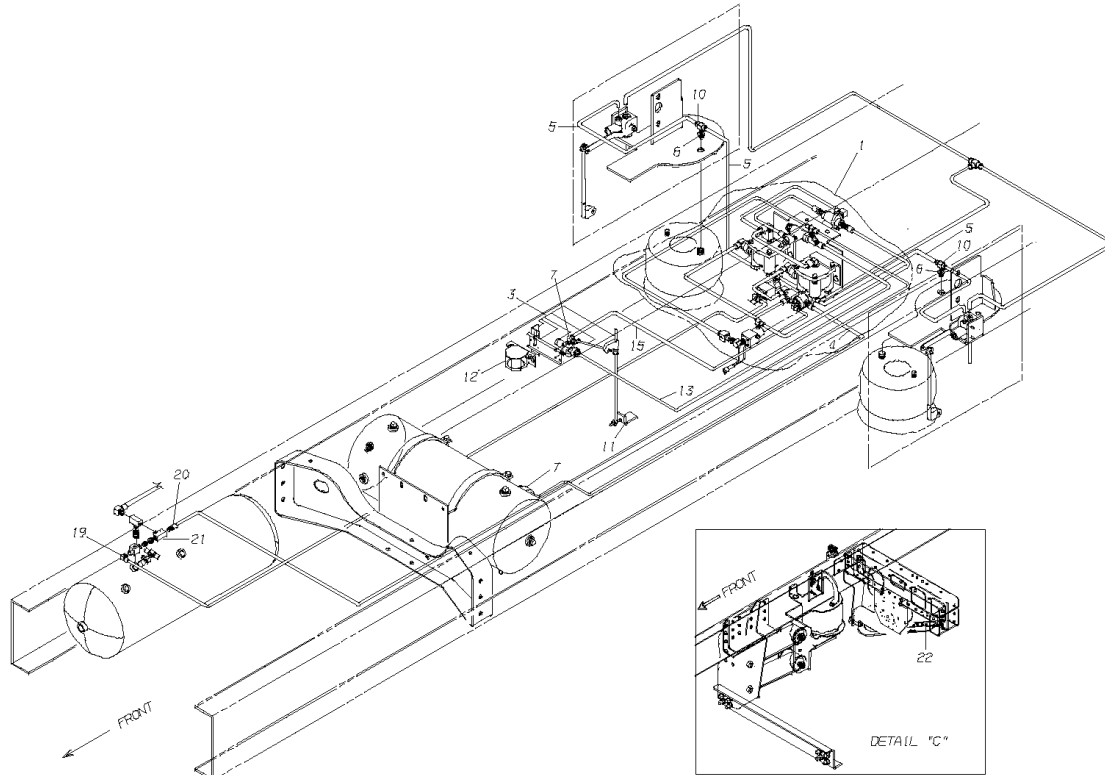
Key	PartNumber	Qty	Description	Comment
	0024158		VALVE ASSY,R12/CNTRL/PRESREG/DOUBCHEK,	<i>CONSISTS OF THE FOLLOWING</i>
1	1859891		BRACKET,MTG,R-12 & CONTROL VALVE,REYCO	
2	1045574		VALVE,CONTROL,HUMPHREY	
3	1066679		VALVE,SERVICE BRK RELAY,R12,W/LH SUP	
4	0009924	2	CONNECTOR,MALE,1868X6-Z,.25MPT X .38T"	
5	0009903	2	ELBOW,90 DEG,MALE1869X4-Z,.13MPT X .25T	
6	0654350		TEE,1/2 PIPE,STREET	
7	0001134		VALVE,SINGLE CHECK,1/2 PIPE,STRAIGHT	
8	0009909	5	ELBOW,90 DEG,MALE1869X6X8-Z,.50MPT	
9	2009025		BUSHING,PIPE,GALV,1/8 X 1/2	
10	0009912	2	ELBOW,90 DEG,MALE1869X4X4-Z,.25MPT	
11	2000776	4	SCREW,MACH, 10-32 X 3/4,PH1,RD HD,	
12	2001287	4	NUT,HEX HD,10-32,YEL ZN DICH	
13	2001162	6	LOCKWASHER,SPLIT RING, 3/16,MED,YEL ZN	
14	0829390	2	NUT,HEX HD,5/16-18,SER WASHER,YEL ZN	
15	2001105	4	WASHER,FLAT,13/64 X,1/2 X 3/64,YEL ZN DICH	
16	1164888		VALVE,PRESS REGULATOR,N-15817-A	
17	0654434		VALVE,DOUBLE CHECK,3/8 PIPE	
18	1686831		VALVE,SOLENOID,NO,ALLENAIR	
19	0818609		VALVE,SCHRADER,1/4 MPT	
20	0654277	2	TEE,STREET,1/4 PIPE,3750X4	
21	0009922	4	CONNECTOR,MALE,1868X4X4-Z,.25MPT X .25T"	
22	0009929		TEE,MALE,BRANCH,1872X4-Z,.13MPT X .25T	

**Models:** C4RE, QBRE  
**AIR**  
**KNEELING FEATURE**  
**VALVE ASSEMBLIES**  
**R12, CONTROL, PRES/REG, DOUBLE CHECK, RIDEWELL**  
**With:** **OPTION 4569**

Key	PartNumber	Qty	Description	Comment
23	2009009		BUSHING,PIPE,1/8 X 1/4	
24	2051381		NIPPLE,BRASS,1/8 CLOSE 3326 X 2	
25	2008050		BUSHING,PIPE,1/8 TO 1/4,BRASS	
26	2027233		ELBOW,STREET,1/4,3400X4Z	
27	1164870		VALVE,CHECK,1/8 PIPE,HUMPHREY C-125	
28	0009917		CONNECTOR,MALE,1868X4-Z,.13MP X .25T"	
29	2027134	2	BUSHING,PIPE,3/8 X 1/4,BRASS	
30	0009913		ELBOW,90 DEG,MALE1869X4X6-Z,.38MPT	
31	0870477	3	CAPSCREW,HEX HD,1/4-20 X 1,GR 8,YEL ZN	
32	1467000	3	WASHER,FLAT,.281 X.750X.078 HARDENED,BLK	
33	1039262	3	NUT,HEX HD,1/4-20,LOCK,ZINC	
34	1315092	2	SCREW,MACH,10-32X3/8,PH1,FLT CSNK,	
35	1346832	AR	TUBING,PLASTIC,1/4 OD,RED,SAE J844 TYPE A	
36	1346857	AR	TUBING,PLASTIC,3/8 OD,BLUE,SAE J844 TYPE B	
37	1346790	AR	TUBING,PLASTIC,1/4 OD,GREEN,SAE J844 TYPE	
38	1346824	AR	TUBING,PLASTIC,1/4 OD,BLUE,SAE J844 TYPE A	
39	0654962	AR	TUBING,PLASTIC,1/4 OD,BLACK,SAE J844 TYPE	

**Models:** C4RE, QBRE  
**AIR**  
**KNEELING FEATURE**  
**WITH HENDRICKSON**  
**With:** OPTION 4569 WITH OPTION 40004-07

Key	PartNumber	Qty	Description	Comment
-----	------------	-----	-------------	---------



**Models:** C4RE, QBRE  
**AIR**  
**KNEELING FEATURE**  
**WITH HENDRICKSON**  
**With:** OPTION 4569 WITH OPTION 40004-07

Key	PartNumber	Qty	Description	Comment
1	0025204		VALVE ASSY,R12/CNTRL/PRESREG/DOUBCHEK,	
3	1827625		KIT,VALVE ASSY,KNEELING FEATURE	<i>FEATURE INCLUDES LINKAGE &amp; BRACKETS</i>
NI	0009426		HEIGHT CONTROL VALVE	<i>INCLUDES LINKAGE &amp; BRACKET</i>
NI	0009427		BRACKET,HEIGHT ADJUSTMENT	<i>INCLUDED WITH KIT</i>
4	0989319	3	TUBING,PLASTIC,3/8 OD,BLACK,SAE J844 TYPE	
5	0654962	6	TUBING,PLASTIC,1/4 OD,BLACK,SAE J844 TYPE	
6	2008050	2	BUSHING,PIPE,1/8 TO 1/4,BRASS	
7	0009911		ELBOW,90 DEG,MALE1869X6X6-Z,.38MPT	
8	0803213	6	CAPSCREW,HEX HD,3/8-16X1 1/4,GR8,YEL	
9	1107085	6	WASHER,FLAT,13/32 X 13/16 X 3/32,HDN,BLK	
10	0009929	2	TEE,MALE,BRANCH,1872X4-Z,.13MPT X .25T	
11	1642701		BRACKET,MTG,LVLG VLV TO AXLE,FRT,RIDWL	
12	0003311		HORN,BACKING ALARM,107 DB	
13	1346832		TUBING,PLASTIC,1/4 OD,RED,SAE J844 TYPE A	
17	1013689	6	NUT,HEX HD,3/8-16,WASHER SER,YEL ZN DICH	
18	1594274		BRACKET,MTG,SHORT ANGLE,AIR DRYER	
19	0009903		ELBOW,90 DEG,MALE1869X4-Z,.13MPT X .25T	
20	0009922		CONNECTOR,MALE,1868X4X4-Z,.25MPT X .25T"	
21	0559047		TEE,MALE,BRANCH,1/4 PIPE,3600X4	
22	1760628		BRACKET,SUPT,DRV SHF GUARD,RDWL,	





**Models:** C4RE, QBRE  
**AIR**  
**KNEELING FEATURE**  
**WITH RIDEWELL**  
**With:** OPTION 4569 WITH OPTION 4558-02, or 40004-08

Key	PartNumber	Qty	Description	Comment
1	1845320		VALVE ASSY,PRESSURE REG/DOUBLE CHECK,	
2	1838507		VALVE ASSY,R12 & CNTRL VLV,KNEEL FEAT,	ENDING 01-07-96
2	1853795		VALVE ASSY,R12 & CNTRL VLV,KNEEL FEAT,	FROM 01-08-96 TO 04-02-00 WITH CSN 10055954
2	0024158		VALVE ASSY,R12/CNTRL/PRESREG/DOUBCHEK,	BEGIN 04-03-00 WITH CSN 10055955
3	1827625		KIT,VALVE ASSY,KNEELING FEATURE	INCLS LINKAGE & BRKTS
4	0989319	7	TUBING,PLASTIC,3/8 OD,BLACK,SAE J844 TYPE	
5	0654962	8	TUBING,PLASTIC,1/4 OD,BLACK,SAE J844 TYPE	
6	1344068		ELBOW,90 DEG,MALE,1469X6-Z,.25 MP X .38 T	ENDING 04-02-00 WITH CSN 10055954
6	0009911		ELBOW,90 DEG,MALE1869X6X6-Z,.38MPT	BEGIN 04-03-00 WITH CSN 10055955
7	1344043	4	ELBOW,90 DEG,MALE,1469X6X6-Z,.38MP X .38T	
8	0803213	4	CAPSCREW,HEX HD,3/8-16X1 1/4,GR8,YEL	
9	1107085		WASHER,FLAT,13/32 X 13/16 X 3/32,HDN,BLK	
10	1538909		TEE,MALE,BRANCH,1472X4-Z,1/8 MPT X 1/4 T	ENDING 04-02-00 ITH /CSN 10055954
10	0009929		TEE,MALE,BRANCH,1872X4-Z,.13MPT X .25T	BEGIN 04-03-00 WITH CSN 10055955
11	1642701		BRACKET,MTG,LVLG VLV TO AXLE,FRT,RIDWL	
12	1506336		HORN,BACKING ALARM 107 DB	ENDING 01-10-99 WITH CSN 10021229
12	0003311		HORN,BACKING ALARM,107 DB	BEGIN 01-11-99 WITH CSN 10021230
13	1346832	4	TUBING,PLASTIC,1/4 OD,RED,SAE J844 TYPE A	ENDING 04-02-00 WITH CSN 10055954
14	1220037	1	TUBING,PLASTIC,3/8 OD,RED,SAE J844 TYPE B	ENDING 04-02-00 WITH CSN 10055954
15	1346790	3	TUBING,PLASTIC,1/4 OD,GREEN,SAE J844 TYPE	ENDING 04-02-00 WITH CSN 10055954

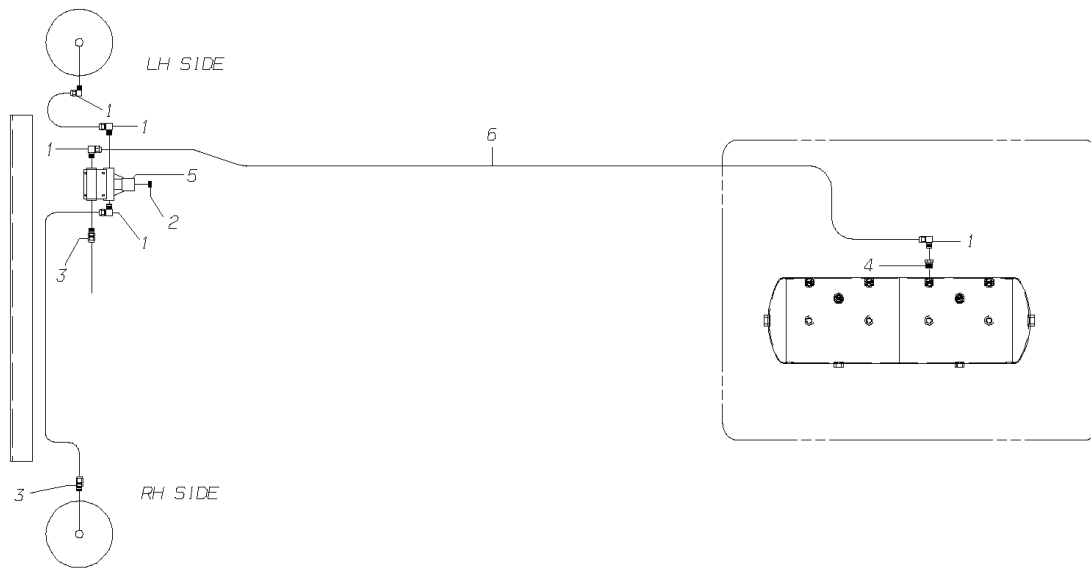
**Models:** C4RE, QBRE  
**AIR**  
**KNEELING FEATURE**  
**WITH RIDEWELL**  
**With:** **OPTION 4569 WITH OPTION 4558-02, or 40004-08**

Key	PartNumber	Qty	Description	Comment
16	1346824	1	TUBING,PLASTIC,1/4 OD,BLUE,SAE J844 TYPE A	10055954
17	1013689	4	NUT,HEX HD,3/8-16,WASHER SER,YEL ZN DICH	

**Models:** A3RE, C4RE, CSRE, QBRE, TCRE  
**AIR REAR HENDRICKSON, COMFORT AIR AIR PIPING**  
**With:** FEATURE 40005-03, -06

Key	PartNumber	Qty	Description	Comment
-----	------------	-----	-------------	---------

DRIVE SUSPENSION

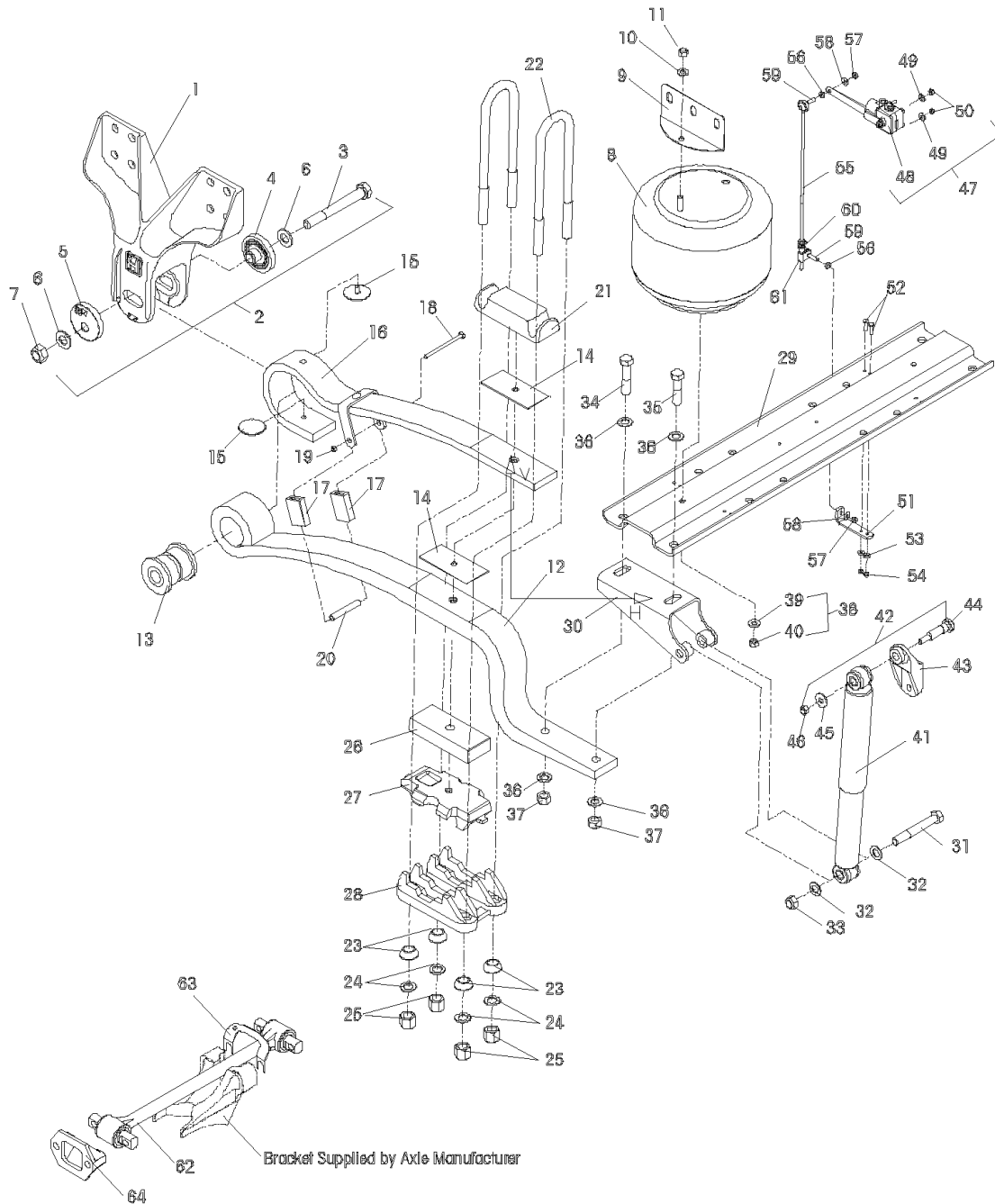


**Models:** A3RE, C4RE, CSRE, QBRE, TCRE  
**AIR**  
**REAR**  
**HENDRICKSON, COMFORT AIR**  
**AIR PIPING**  
**With:** FEATURE 40005-03, -06

Key	PartNumber	Qty	Description	Comment
1	0009912	5	ELBOW,90 DEG,MALE1869X4X4-Z,.25MPT	
2	2023513		PLUG,PIPE,1/4,ALLEN HEX HD,BRASS	
3	0009922	2	CONNECTOR,MALE,1868X4X4-Z,.25MPT X .25T"	
4	2027134		BUSHING,PIPE,3/8 X 1/4,BRASS	
5	0014860		VALVE ASSY,HT CONTROL,HENDRICKSON	
6	0654962	50	TUBING,PLASTIC,1/4 OD,BLACK,SAE J844 TYPE	

**Models:** A3FE, A3RE, BBCV, C1FE, C3FE, C4RE, CSFE, TCFE  
**AIR**  
**REAR**  
**HENDRICKSON, COMFORT AIR**  
**BREAKDOWN**  
**With: FEATURE 40005-05,-06**

Key	PartNumber	Qty	Description	Comment
-----	------------	-----	-------------	---------



**Models:** A3FE, A3RE, BBCV, C1FE, C3FE, C4RE, CSFE, TCFE  
**AIR REAR HENDRICKSON, COMFORT AIR BREAKDOWN**  
**With:** FEATURE 40005-05,-06

Key	PartNumber	Qty	Description	Comment
1	0058596		HANGER,FRAME,HEND COMFORT AIR"	
2	0063263	4	KIT,QUICK-ALIGN,HEND,COMFAIR	<i>KIT INCLUDES 3-7</i>
2	0058597		KIT,PIVOT BUSHING,SERVICE,COMFORT AIR	<i>INCLUDES 3,6,7,13, AND 15 1 SIDE ONLY</i>
3		2	1 IN 8 UNC 7.50 IN BOLT	
4		3	QUICK- ALIGN CONCENTRIC COLLAR	
5			QUICK- ALIGN ECCENTRIC COLLAR	
6		4	1 IN HARDENED WASHER	
7		2	1 IN 8 UNC LOCKNUT	
13	0058601	2	BUSHING,PIVOT,COMFORT AIR,HEND"	
15	0068246	4	PLATE,SUPPORT,MAIN MEMBER,HEND,(PUCK)	
	0058599	2	AIR SPRING ASSY,RE,COMFORT AIR,HEND"	<i>NCLUDES 8, 9, 10, 11</i>
	0058600	2	AIR SPRING ASSY,FE,COMFORT AIR,HEND"	<i>NCLUDES 8, 9, 10, 11</i>
8		2	AIR SPRING	
9		2	AIR SPRING HANGER	
10		2	WASHER	
11		2	1/2 IN 13 UNC NYLOCKNUT	
	0068268	2	LEAF,SUPPORT,MAIN,MEMBER,HENDRICKSON	<i>INCLUDES KEY NOS 12-20</i>
12		2	MAIN SUPPORT MEMBER	
14		4	LINER, SUPPORT, MAIN MEMBER,	<i>NOT SERVICED SEPARATELY</i>
16		4	SECONDARY LEAF	
17	0058602	4	SLEEVE,SPRING CLIP, COMFORT AIR,HEND	
18		2	7/16 IN 14 UNC BOLT	
NI			7/16 IN WASHER	

**Models:** A3FE, A3RE, BBCV, C1FE, C3FE, C4RE, CSFE, TCFE  
**AIR REAR HENDRICKSON, COMFORT AIR BREAKDOWN**  
**With:** FEATURE 40005-05,-06

Key	PartNumber	Qty	Description	Comment
19		2	7/16 IN 14 UNC NUT	
20		2	CLIP BOLT SPACER	
21	0006579	2	PAD,TOP,HAS 56805000	ALL EXCEPT C1FE
21	0006578	2	PAD,TOP,HAS 57224000	C1FE ONLY
	0058693		KIT,U-BOLT 3/4X16,C1FE HEND COMF AIR	INCLUDES 22, 23, 24, 25, C1FE ONLY
	0006562		KIT,U-BOLT HARDWARE 48718023	INCLUDES 22, 23, 24, 25, A3FE, BBCV, CSFE, TCFE, A3RE, C4RE
	0058694		KIT,U-BOLT 7/8X16.25, CS/TC W/FLT FLR	INCLUDES 22, 23, 24, 25, BBCV, CSFE, TCFE W/ FLAT FLOOR
22			U-BOLT	
23	0038336	8	WASHER,SPHERICAL,HENDRICKSON	
24	0038339	8	WASHER,HARDENED,7/8",HENDRICKSON	
24	0025273	8	WASHER,3/4,HARDENED,STABILIZER SHOCK	15,000 LB CAPACITY
25	0038340	8	NUT,7/8-14,HENDRICKSON	15,000 LB CAPACITY
26	0064386	AR	SEAT,SPRING,O PINION ANGLE,LH/RH,HEND,	
27	0060745	4	SPRING SEAT, 2.00 DEGREE	
27	0064387	4	SEAT,SPRING,SPACER,1.5 IN,HEND,COMFAIR	
28			AXLE BOTTOM CAP	
29			CROSS CHANNEL	
	0058603		ASSY,BRACKET,LOWER SHOCK,COMFORT AIR,	INCLUDED 30, 31, 32, 33
30		2	LOWER SHOCK BRACKET	
31		2	3/4 IN 10 UNC 5.50 IN BOLT	
32	0025273	4	WASHER,3/4,HARDENED,STABILIZER SHOCK	
33	0025276	2	LOCKNUT,3/4",STABILIZER SHOCK KIT,	

**Models:** A3FE, A3RE, BBCV, C1FE, C3FE, C4RE, CSFE, TCFE  
**AIR REAR HENDRICKSON, COMFORT AIR BREAKDOWN**  
**With:** FEATURE 40005-05,-06

Key	PartNumber	Qty	Description	Comment
35		2	3/4 IN 10 UNC 3.00 IN BOLT	
36	0025273	8	WASHER,3/4,HARDENED,STABILIZER SHOCK	
37	0025276	4	LOCKNUT,3/4",STABILIZER SHOCK KIT,	
38	0058604		KIT, AIR SPRING FASTENER,COMFORT AIR,	<i>INCLUDES 39 AND 40</i>
39		2	1/2 IN HARDENED WASHER	
40		2	1/2 IN 13 UNC NYLOCKNUT	
41	0085991	2	SHOCK ABSORBER,AIR SUSP,REAR,HEND	
42	0058605		ASSY,BRACKET,UPPER SHOCK FRAME,COMFORT	<i>INCLUDES 43, 44, 45, 46</i>
43		2	SHOCK FRAME HANGER	
44		2	1/2" 13 UNC SERRATED SHANK BOLT	
45		2	1/2 IN HARDENED WASHER	
46		2	1/2 IN 13 UNC LOCKNUT	
47	0058606		KIT,HEIGHT CONTROL VALVE,COMFORT AIR,	<i>INCLUDES 48, 49, 50</i>
48			HEIGHT CONTROL VALVE	
49		2	1/4 IN HARDENED WASHER	
50		2	1/4" 20 UNC LOCKNUT	
	0058608		KIT,BRKT,LOWER CONTROL VALVE LINK,FE	<i>INCLUDES 51, 52, 53, 54ALL EXCEPT REAR ENGINE</i>
	0058609		KIT,BRKT,LOWER CONTROL VALVE LINK,RE	<i>INCLUDES 51, 52, 53, 54REAR ENGINE ONLY</i>
51			CONTROL VALVE LINK BRACKET	
52		2	1/4 IN 20 UNC 1.00 IN BOLT	
53		4	1/4 IN HARDENED WASHER	
54		2	1/4 IN 20 UNC LOCKNUT	

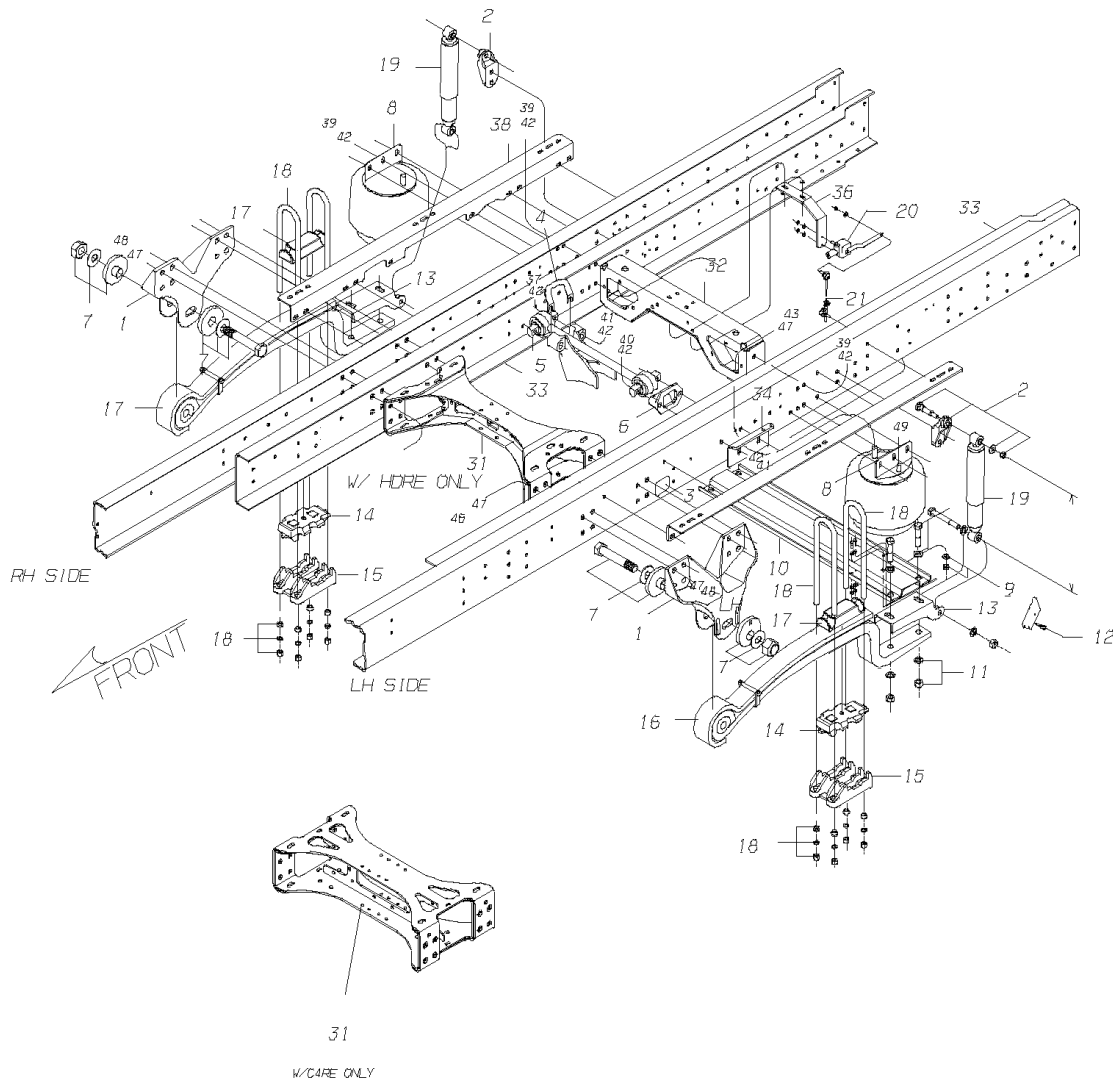


**Models:** A3FE, A3RE, BBCV, C1FE, C3FE, C4RE, CSFE, TCFE  
**AIR**  
**REAR**  
**HENDRICKSON, COMFORT AIR**  
**BREAKDOWN**  
**With:** FEATURE 40005-05,-06

Key	PartNumber	Qty	Description	Comment
	0014951		LINK ASSY,LVLG VLV,HENDRICKSON 58994-009	<i>INCLUDES 55, 56, 57, 58, 59, 60, 61, C1FE ONLY</i>
	0014902		LINK ASSY,LVLG VLV,HENDRICKSON 58994-008	<i>INCLUDES 55, 56, 57, 58, 59, 60, 61, ALL EXCEPT C1FE</i>
55			EXTENSION ROD	
56		2	5/16 IN 18 UNC JAM NUT	
57		2	5/16 IN 18 UNC LOCKNUT	
58		2	5/16 IN HARDENED WASHER	
59		2	5/16 IN 18 UNC STUD	
60			VALVE ARM CLAMP	
61			ADJUSTABLE VALVE ARM JOINT	
62	0058708		TORQUE ROD ASSY,TRNSVRS,HEND COMR AIR,	<i>C1FE ONLY</i>
62	0058707		TORQUE ROD ASSY,TRNSVRSE,HEND COMF	
62	0058706		TORQUE ROD ASSY,TRNVRSE,HEND COMF AIR	
62	0058710		TORQUE ROD ASSY,TRNSVRS,HEND RE W/10 IN	
63	0058726	AR	SHIM,TORQUE ROD,HEND COMF AIR	
64	0025981		BRACKET, TRANSVERSE ROD, FRAME	

**Models:** A3RE, C4RE  
**AIR**  
**REAR**  
**HENDRICKSON, COMFORT AIR**  
**INSTALLATION**  
**With:** FEATURE 40005-06

Key	PartNumber	Qty	Description	Comment
-----	------------	-----	-------------	---------



**Models:** A3RE, C4RE  
**AIR**  
**REAR**  
**HENDRICKSON, COMFORT AIR**  
**INSTALLATION**  
**With:** FEATURE 40005-06

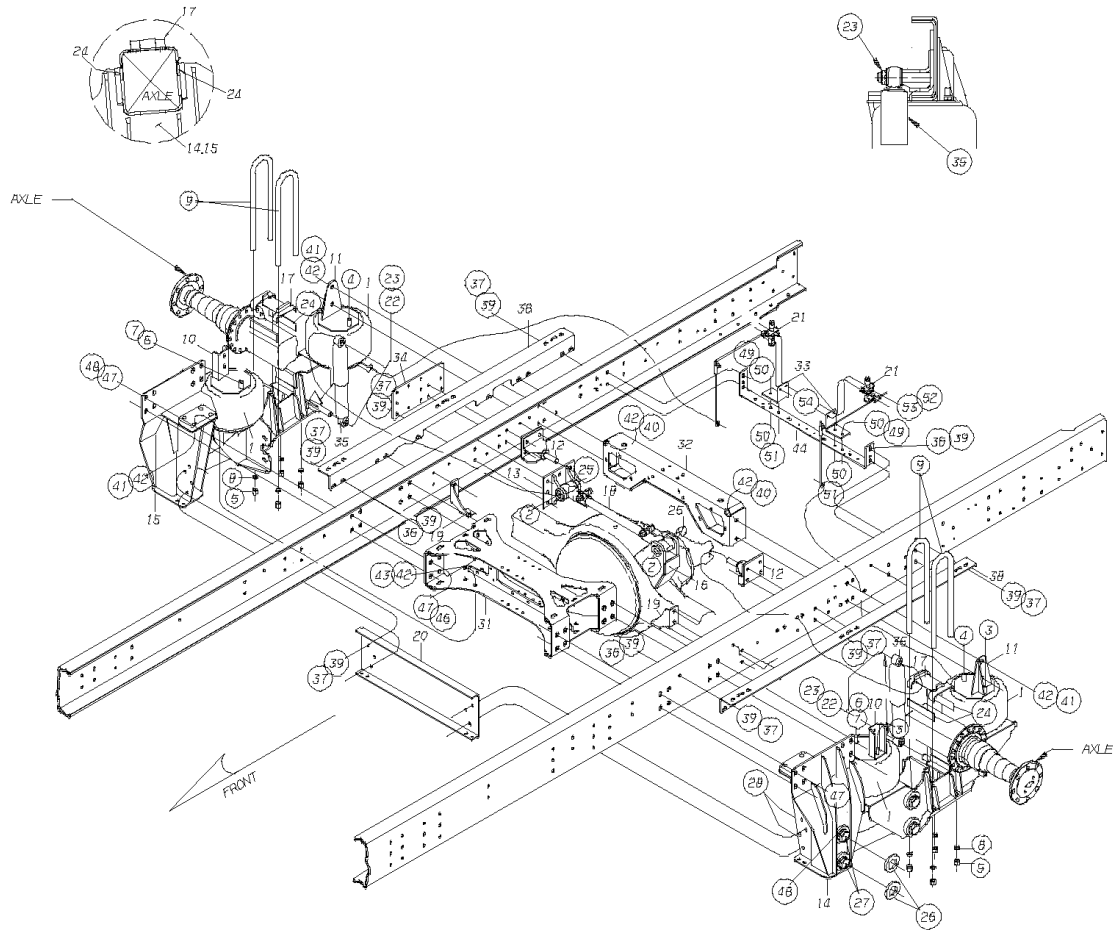
Key	PartNumber	Qty	Description	Comment
	0040016		KIT,CMP,FRM,SUSP,RR,HEND 48648-048,RSAXL	CONSIST OF ITEMS 1-6
	0040017		KIT,CMP,FRM,SUSP,RR,HEND 48648-046,RC23	CONSIST OF ITEMS 1-6
1	0058596	2	HANGER,FRAME,HEND COMFORT AIR"	
2	0058605	2	ASSY,BRACKET,UPPER SHOCK FRAME,COMFORT	
3		2	STICKER, TORQUE REQUIREMENTS	
4			SHIM, TORQUE ROD	
5	0058706		TORQUE ROD ASSY,TRNVRS,HEND COMF AIR	
6	0025981		BRACKET, TRANSVERSE ROD, FRAME	
7		2	QUICK-ALIGN KIT	
	0040021		KIT,CMP,R/AXL,HEND48646-703,RS19	CONSISTS OF ITEMS 8-19
8	0058599	2	AIR SPRING ASSY,RE,COMFORT AIR,HEND"	
9	0058604		KIT, AIR SPRING FASTENER,COMFORT AIR,	
10			CROSS CHANNEL	
11			CROSS CHANNEL T=FASTENER KIT	
12	0058609		KIT,BRKT,LOWER CONTROL VALVE LINK,RE	
13	0058603		ASSY,BRACKET,LOWER SHOCK,COMFORT AIR,	
14			SPRING SEAT	4.5 DEGREES
15			SPRING SEAT SPACER	
15			AXLE BOTTOM CAP	
16			MAIN SUPPORT MEMBER	
17	0066579		TUBE,BRACKET,BREATHER,CRANKCASE,CNG	
18	0006562		KIT,U-BOLT HARDWARE 48718023	
19	0085991		SHOCK ABSORBER,AIR SUSP,REAR,HEND	

**Models:** A3RE, C4RE  
**AIR**  
**REAR**  
**HENDRICKSON, COMFORT AIR**  
**INSTALLATION**  
**With:** FEATURE 40005-06

Key	PartNumber	Qty	Description	Comment
20	0014860		VALVE ASSY,HT CONTROL,HENDRICKSON	
21	0015529		LINK ASSY,LVLG VLV,HENDRICKSON 58994-007	
31	0026242		CROSSMEMBER ASSY,FRT,REAR SUSPN,	
31	0032213		CROSSMEMBER ASSY,FRT,RR SUSP	
32	0032080		CROSSMEMBER ASSY,RR,RR SUSP	
33			FRAME INSERT, COMES BUNDLED WITH FRAME	
34	0014845	2	ANGLE,REINFORCEMENT,FRAME RAIL,	
36	0015487		BRACKET,MTG,LEVELING VALVE	
37	1631068	2	CAPSCREW,HX HD,5/8-11 X 4 1/2,GR8,	
38	0039436	2	ANGLE,TIE DOWN,BODY,REAR SUSP, RE	
39	1107895	12	CAPSCREW,HEX HD,5/8-11 X 2,GR8,YEL ZN	
40	1022805	2	CAPSCREW,HEX HD,5/8-11 X 5,GR 8,YEL ZN	
41	0939827	12	NUT,HEX HD,5/8-11,GR 8,LOCK,CADMIUM WAX	
42	0929018	24	WASHER,FLAT,21/32 X 1 1/8 X 3/32,HDN,YEL	
43	0985549	2	NUT,HEX HD,3/4-16,NYLON LOCK,YEL ZN DICH	
46	0008068	12	CAPSCREW,HEX HD,3/4-10X3,GR8,YELZNDICH	
47	0870915	34	WASHER,FLAT,27/32 X 1 1/2 X 1/8,YEL ZN	
48	0933879	12	NUT,HEX HD,3/4-10,PRVLG TORQ,GR8,CAD	
49	0850800	2	NUT,HEX HD,1/2-13,LOCKING,GR 8,CAD WAX	

**Models:** C4RE  
AIR  
REAR  
RIDEWELL  
INSTALLATION  
**With:** FEATURE 40005-07  
To CSN 10150684

Key	PartNumber	Qty	Description	Comment
-----	------------	-----	-------------	---------



**Models:** C4RE  
 AIR  
 REAR  
 RIDEWELL  
 INSTALLATION  
**With:** FEATURE 40005-07  
 To CSN 10150684

Key	PartNumber	Qty	Description	Comment
1	8312969	4	AIR SPRING,RIDEWELL HD SUSPENSION	
2	0008803	2	HHCS 1" 8NC 6LG 1-1/4THR	
3	0961458	8	NUT,HEX HD,1/2-13,LOCKING,ZINC	
4	0985549	2	NUT,HEX HD,3/4-16,NYLON LOCK,YEL ZN DICH	
5		8	NUT, .875 X 14 NG TALL, GRADE 8, ZINC	
6		2	NUT, .75 X 16 NF, STANDARD GRADE 2	
7	0990663	2	WASHER,FLAT,3/4 RIDEWELL TAG SUSP, WLPP	
8	0961235	8	WASHER,FLAT,31/32 X 1 3/4 X 5/32,YEL	
9	1624410	4	U-BOLT,7/8-14 X 13 1/2 LONG,5 1/8	
10			AIR SPRING MOUNT BRACKET FRONT	
11			AIR SPRING MOUNT BRACKET REAR	
12	0080542		BRACKET ASSY,SHOCK,AT FRAME,RDWL	
13			PANHARD BRACKET AT FRAME	
14			HANGER/ BEAM ASSEMBLY 4.5 DEG LH	
15			HANGER/ BEAM ASSEMBLY 4.5 DEGREES RH	
16			SWAY BAR/AXLE MOUNTING BRACKET	
17		2	U-BOLT SPACER ASSEMBLY	
18	4317194		SWAY BAR ASSY,RIDEWELL,5037264B301"	
19		2	SPRING FRAME MOUNTING BRACKET - LH/RH	
20			CROSS-CHANNEL, X-30 IN	
21	0059276	2	KIT,HEIGHT CONTROL VALVE,RDWL,C4	
22	1029867	4	WASHER,FLAT,1 ID X 2 OD CAD PLATED	
23	0008804	4	L'NUT 1 8NC THIN NYLON INSERT	

**Models:** C4RE  
AIR  
REAR  
RIDEWELL  
INSTALLATION  
**With:** FEATURE 40005-07  
To CSN 10150684

Key	PartNumber	Qty	Description	Comment
24		4	PLATE, .187 X 1 X 4.75	
25		2	NUT, LOCKING, 1 X 8NC, SPS FLEX LOCK	
26	0961375	4	WASHER,ANTI-TURN	
27	0039927	4	BOLT ASSY,ECCENTRIC,RIDEWELL,LTC	
28	0039928	4	NUT,LOCK,1 1/4,7,NC,GR8,LTC	
31	0032213		CROSSMEMBER ASSY,FRT,RR SUSP	
32	0023080		CHANNEL,MTG,GENERATOR,LH, 2001 LXI	
33	0039802	2	BRACKET,MOUNTING,LEVELING VALVE	
34	0039465		PLATE,REINF,FRM,OUTSIDE,TRACK ROD,REAR,	
35	0036381	2	SHOCK ABSORBER,DRIVE,KONI	
36	0803239	36	CAPSCREW,HEX HD,1/2-13 X1 1/2,GR8	
37	0850800	36	NUT,HEX HD,1/2-13,LOCKING,GR 8,CAD WAX	
38	0039436	2	ANGLE,TIE DOWN,BODY,REAR SUSP, RE	
39	1003045	72	WASHER,FLAT,17/32 X 1 1/16 X 7/64,HDN,	
40	1107895	4	CAPSCREW,HEX HD,5/8-11 X 2,GR8,YEL ZN	
41	0939827	12	NUT,HEX HD,5/8-11,GR 8,LOCK,CADMIUM WAX	
42	0929018	24	WASHER,FLAT,21/32 X 1 1/8 X 3/32,HDN,YEL	
43	0939835	8	CAPSCREW,HEX HD,5/8-11 X2 1/2,GR8,	
44	1760628	RE	BRACKET,SUPT,DRV SHF GUARD,RDWL,	
46	0008068	16	CAPSCREW,HEX HD,3/4-10X3,GR8,YELZNDICH	
47	0870915	32	WASHER,FLAT,27/32 X 1 1/2 X 1/8,YEL ZN	
48	0933879	16	NUT,HEX HD,3/4-10,PRVLG TORQ,GR8,CAD	
49	0854406	4	CAPSCREW,HEX HD,5/16-18 X 1,GR8,YEL ZN	

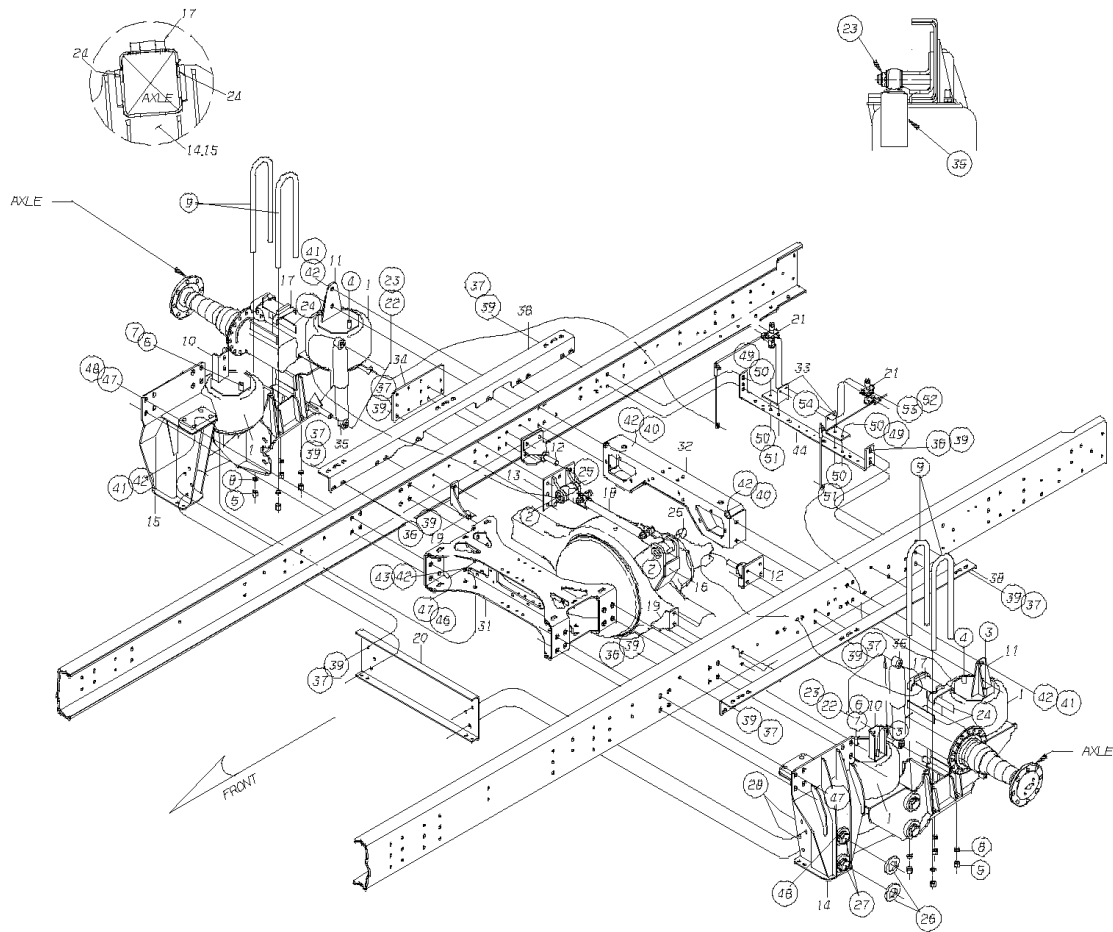
**Models:** C4RE  
 AIR  
 REAR  
 RIDEWELL  
 INSTALLATION  
**With:** FEATURE 40005-07  
 To CSN 10150684

Key	PartNumber	Qty	Description	Comment
50	2001048	8	WASHER,FLAT,11/32 X 11/16 X 1/16,YEL	
51	1142603	4	NUT,HEX HD,5/16-18,GR 8,YELLOW	
52	1092337	4	CAPSCREW,HEX HD,1/4-20 X 2,GR 5,YEL ZN	
53	1247709	4	WASHER,FLAT,17/64 ID X,5/8,YEL ZN DICH	
54	1465947	4	NUT,HEX HD,1/4-20,LK,NYLON INSERT,YEL	



**Models:** C4RE  
AIR  
REAR  
RIDEWELL  
INSTALLATION  
**With:** FEATURE 40005-07  
**BSN:** From CSN 10150685

Key	PartNumber	Qty	Description	Comment
-----	------------	-----	-------------	---------



**Models:** C4RE  
AIR  
REAR  
RIDEWELL  
INSTALLATION  
**With:** FEATURE 40005-07  
**BSN:** From CSN 10150685

Key	PartNumber	Qty	Description	Comment
1	8312969	4	AIR SPRING,RIDEWELL HD SUSPENSION	
2	0008803	2	HHCS 1" 8NC 6LG 1-1/4THR	
3	0961458	8	NUT,HEX HD,1/2-13,LOCKING,ZINC	
4		2	NUT, .75 X 16NF, HEX JAM THIN	
5		8	NUT, .875 X 14 NF TALL, GRADE 8, ZINC	
6		2	NUT, .75 X 16 NF, STANDARD	
7	0990663	2	WASHER,FLAT,3/4 RIDEWELL TAG SUSP, WLPP	
8		8	WASHER, .875 FLAT	
9	1624410	4	U-BOLT,7/8-14 X 13 1/2 LONG,5 1/8	
10			AIR SPRING MOUNT BRACKET FRONT	
11			AIR SPRING MOUNT BRACKET REAR	
12			SHOCK BRACKET ASSEMBLY AT FRAME	
13			PANHARD BRACKET AT FRAME	
14			HANGER/ BEAM ASSEMBLY 4.5 DEGREES LH	
15			HANGER/ BEAM ASSEMBLY 4.5 DEGREES RH	
16			SWAY BAR/ AXLE MOUNTING BRACKET	
17		2	U-BOLT SPACER ASSEMBLY	
18	4317194		SWAY BAR ASSY,RIDEWELL,5037264B301"	
19		2	SPRING FRAME MOUNTING BRACKET - LH/ RH	
20			CROSS-CHANNEL, X-30 IN	
22	1029867	4	WASHER,FLAT,1 ID X 2 OD CAD PLATED	
23	0008804	4	L'NUT 1 8NC THIN NYLON INSERT	
24	0058446	4	PLATE,.187 X 1.0 X 4.75,RIDEWELL	

**Models:** C4RE  
AIR  
REAR  
RIDEWELL  
INSTALLATION  
**With:** FEATURE 40005-07  
**BSN:** From CSN 10150685

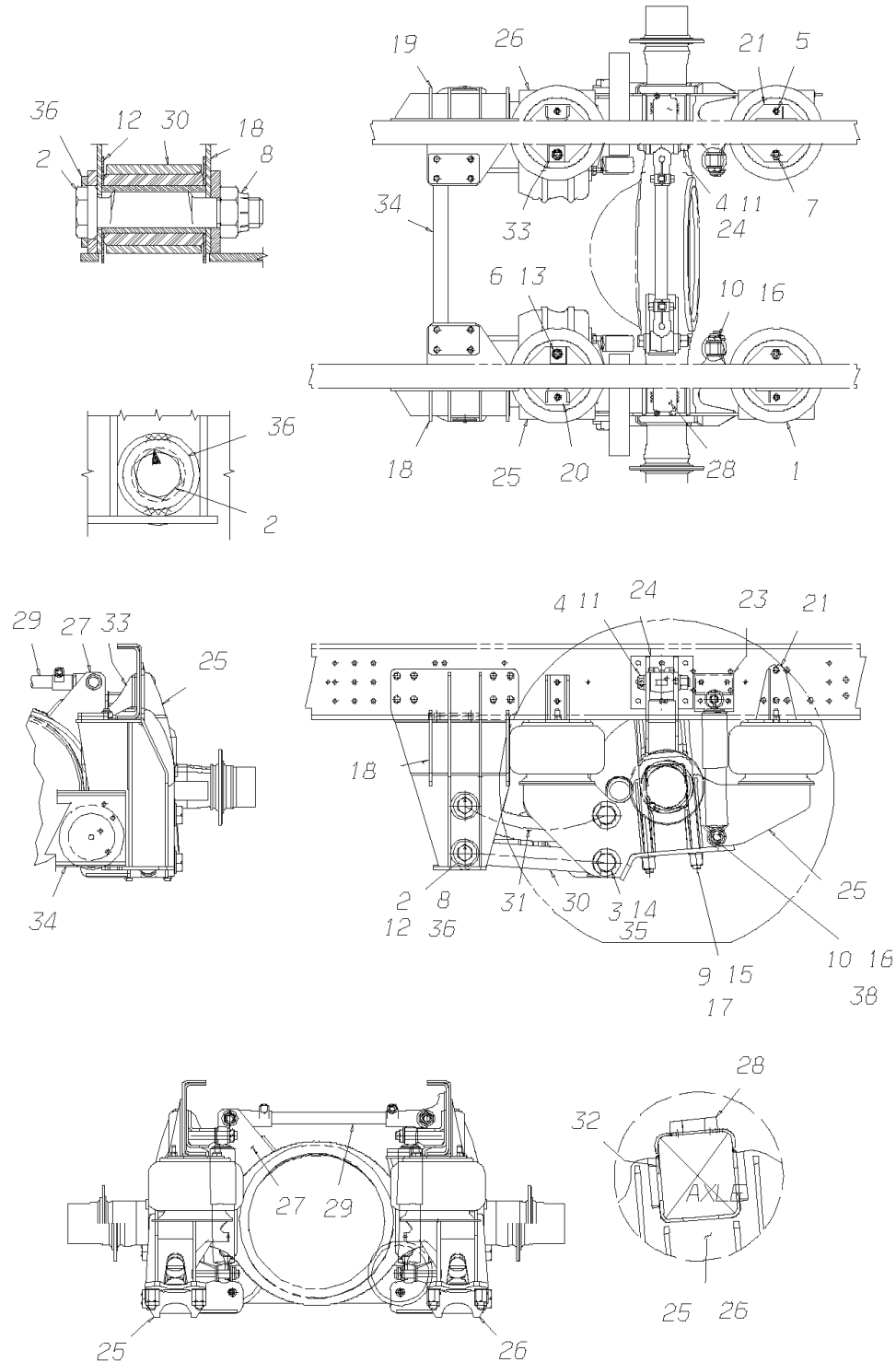
Key	PartNumber	Qty	Description	Comment
25	0008806	2	L'NUT 1" 8NC SPS FLEX LOCK	
26	0961375	4	WASHER,ANTI-TURN	
27	0039927	4	BOLT ASSY,ECCENTRIC,RIDEWELL,LTC	
28	0039928	4	NUT,LOCK,1 1/4,7,NC,GR8,LTC	
31	0032213		CROSSMEMBER ASSY,FRT,RR SUSP	
32	0032080		CROSSMEMBER ASSY,RR,RR SUSP	
33	0039802	2	BRACKET,MOUNTING,LEVELING VALVE	
34	0039465		PLATE,REINF,FRM,OUTSIDE,TRACK ROD,REAR,	
35	0036381	2	SHOCK ABSORBER,DRIVE,KONI	
36	0803239	36	CAPSCREW,HEX HD,1/2-13 X1 1/2,GR8	
37	0850800	36	NUT,HEX HD,1/2-13,LOCKING,GR 8,CAD WAX	
38	0039436	2	ANGLE,TIE DOWN,BODY,REAR SUSP, RE	
39	1003045	72	WASHER,FLAT,17/32 X 1 1/16 X 7/64,HDN,	
40	1107895	4	CAPSCREW,HEX HD,5/8-11 X 2,GR8,YEL ZN	
41	0939827	12	NUT,HEX HD,5/8-11,GR 8,LOCK,CADMIUM WAX	
42	0929018	24	WASHER,FLAT,21/32 X 1 1/8 X 3/32,HDN,YEL	
43	0939835	8	CAPSCREW,HEX HD,5/8-11 X2 1/2,GR8,	
44	1760628	RE	BRACKET,SUPT,DRV SHF GUARD,RDWL,	
45	0803163	8	CAPSCREW,HEX HD,1/2-13 X2 1/2,GR8,	
46	0008068	16	CAPSCREW,HEX HD,3/4-10X3,GR8,YELZNDICH	
47	0870915	32	WASHER,FLAT,27/32 X 1 1/2 X 1/8,YEL ZN	
48	0933879	16	NUT,HEX HD,3/4-10,PRVLG TORQ,GR8,CAD	
50	2001048	8	WASHER,FLAT,11/32 X 11/16 X 1/16,YEL	

**Models:** C4RE  
 AIR  
 REAR  
 RIDEWELL  
 INSTALLATION  
**With:** FEATURE 40005-07  
**BSN:** From CSN 10150685

Key	PartNumber	Qty	Description	Comment
51	1142603	4	NUT,HEX HD,5/16-18,GR 8,YELLOW	
52	0616748	4	CAPSCREW,HEX HD,5/16-18X2 1/4,GR5,	
53	2001188	4	LOCKWASHER,SPLIT RING, 5/16,MED,YEL ZN	
55	4760335	2	KIT,VALVE,LEVELING,FRONT"	
56	0078026	2	LEVER,VALVE,LEVELING,4.75, C4RE	

**Models:** C4RE  
 AIR  
 REAR  
 RIDEWELL  
 RC23 AXLE  
**With:** FEATURE 40004-07

Key	PartNumber	Qty	Description	Comment
-----	------------	-----	-------------	---------



**Models:** C4RE  
AIR  
REAR  
RIDEWELL  
RC23 AXLE  
**With:** FEATURE 40004-07

Key	PartNumber	Qty	Description	Comment
1	8312969	4	AIR SPRING,RIDEWELL HD SUSPENSION	
2	0039927	4	BOLT ASSY,ECCENTRIC,RIDEWELL,LTC	
3	0961409	4	CAPSCREW,1 1/2-6 X 7 LONG PHOS & OIL	
4	0008803	2	HHCS 1" 8NC 6LG 1-1/4THR	
5	0961458	8	NUT,HEX HD,1/2-13,LOCKING,ZINC	
6		2	NUT, 3/4 X 16 NF	
7	0985549	2	NUT,HEX HD,3/4-16,NYLON LOCK,YEL ZN DICH	
8	0039928	4	NUT,LOCK,1 1/4,7,NC,GR8,LTC	
9		8	NUT, .875 X 14 NF TALL, GR8	
10	0008804	2	L'NUT 1 8NC THIN NYLON INSERT	
11	0008806	2	L'NUT 1" 8NC SPS FLEX LOCK	
12	1243807	8	WASHER,BEARING SLEEVE,RIDEWELL,.114	
13	0990663	2	WASHER,FLAT,3/4 RIDEWELL TAG SUSP, WLPP	
14	0961417	4	WASHER,INT,TOOTH LOCK 1 1/2	
15	0961235	8	WASHER,FLAT,31/32 X 1 3/4 X 5/32,YEL	
16		4	WASHER, 1IN SAE FLAT	
17	1624410	4	U-BOLT,7/8-14 X 13 1/2 LONG,5 1/8	
18			HANGER RAIL ASSEMBLY-LH RAD-227	
19			HANGER RAIL ASSEMBLY-RH RAD-227	
20		2	AIR SPRING MOUNT BRACKET FRONT	
21		2	AIR SPRING MOUNT BRACKET REAR	
22			NOT USED	
23		2	SHOCK BRACKET ASSEMBLYAT FRAME	

**Models:** C4RE  
 AIR  
 REAR  
 RIDEWELL  
 RC23 AXLE  
**With:** FEATURE 40004-07

Key	PartNumber	Qty	Description	Comment
24			PANHARD BRACKET AT FRAME	
25			LOWER BEAM ASSEMBLY4.5	LH
26			LOWER BEAM ASSEMBLY 4.5	RH
27			SWAY BAR/AXLE MTG BRACKET	
28		2	U-BOLT SPACER ASSEMBLY	
29	4317194		SWAY BAR ASSY,RIDEWELL,5037264B301"	
30	1064385		TORQUE BEAM ASSY,LOWER,RIDWL,RR SUSP,	
31	4317319		TORQUE BEAM ASSY,UPPER,5065030B000"	
32		4	PLATE, .187 X 1 X 4.75	
33		2	SPRING/ FRAME MTG BRACKET - LH/RH	
34			CROSS-CHANNEL	
35		4	LOCKING PLATE	
36		4	ANTI-TURM WASHER	
37	0059276	2	KIT,HEIGHT CONTROL VALVE,RDWL,C4	
38	0036381	2	SHOCK ABSORBER,DRIVE,KONI	
39	4317285		BUSHING,TORQUE BEAM,7"" OD,1110512B000"	
40	2159879		BUSHING,SWAY BAR,RIDEWELL SUSPENSION"	