

Body

300 Exterior

CENTER

ELECTRICAL DOOR INSTALLATION, UPPER & LOWER

_____ 1

SIDE DOOR ASSY, ENGINE COMPARTMENT

_____ 2

SKIRT PANELS, HINGES & BRACES

2910 MODEL

_____ 3

3505 MODEL

_____ 4

4000 MODEL

_____ 5

FRONT

_____ 6

FRONT, CENTER, & REAR OUTSIDE PANELS

2910 MODEL

WITH FRONT & CENTER ENTRANCE DOORS

To BSN F20055504

_____ 7

From BSN F20055505

_____ 8

WITH FRONT ENTRANCE DOOR ONLY

To BSN F20055504

_____ 9

From BSN F20055505

_____ 10

3505 MODEL

WITH FRONT & CENTER ENTRANCE DOORS

To BSN F20055504

_____ 11

From BSN F20055505

_____ 12

WITH FRONT ENTRANCE DOOR ONLY

To BSN F20055504

_____ 13

From BSN F20055505

_____ 14

4000 MODEL

WITH FRONT & CENTER ENTRANCE DOOR

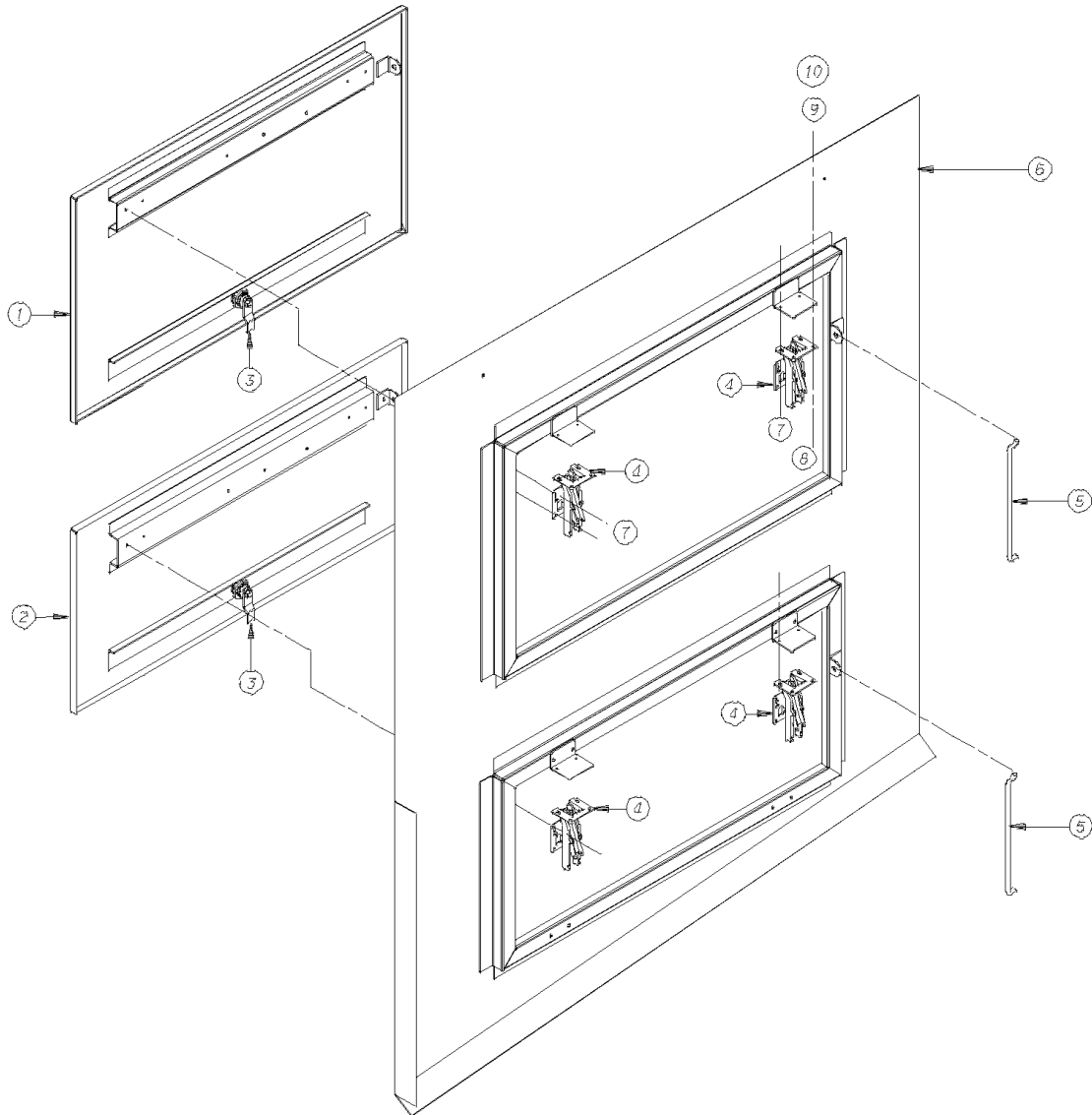
To BSN F20055504

_____ 15

	<i>From BSN F20055505</i>	16
<hr/>		
WITH FRONT ENTRANCE DOOR ONLY		
	<i>To BSN F20055504</i>	17
<hr/>		
	<i>From BSN F20055505</i>	18
<hr/>		
REAR		
<hr/>		
WITH EM17 CARRIER AIR CONDITIONER		
	<i>With: FEATURE 38102-10, -11</i>	
	<i>To BSN F20054360</i>	20
<hr/>		
	<i>With: FEATURE 38102-10, -11</i>	
	<i>From BSN F20054361</i>	21
<hr/>		
WITH RM35 CARRIER AIR CONDITIONER		
	<i>With: FEATURE 38102-08</i>	
	<i>To BSN F20054360</i>	22
<hr/>		
	<i>With: FEATURE 38102-08</i>	
	<i>From BSN F20054361</i>	23
<hr/>		

Models: C4RE
CENTER
ELECTRICAL DOOR INSTALLATION, UPPER & LOWER

Key	PartNumber	Qty	Description	Comment
-----	------------	-----	-------------	---------

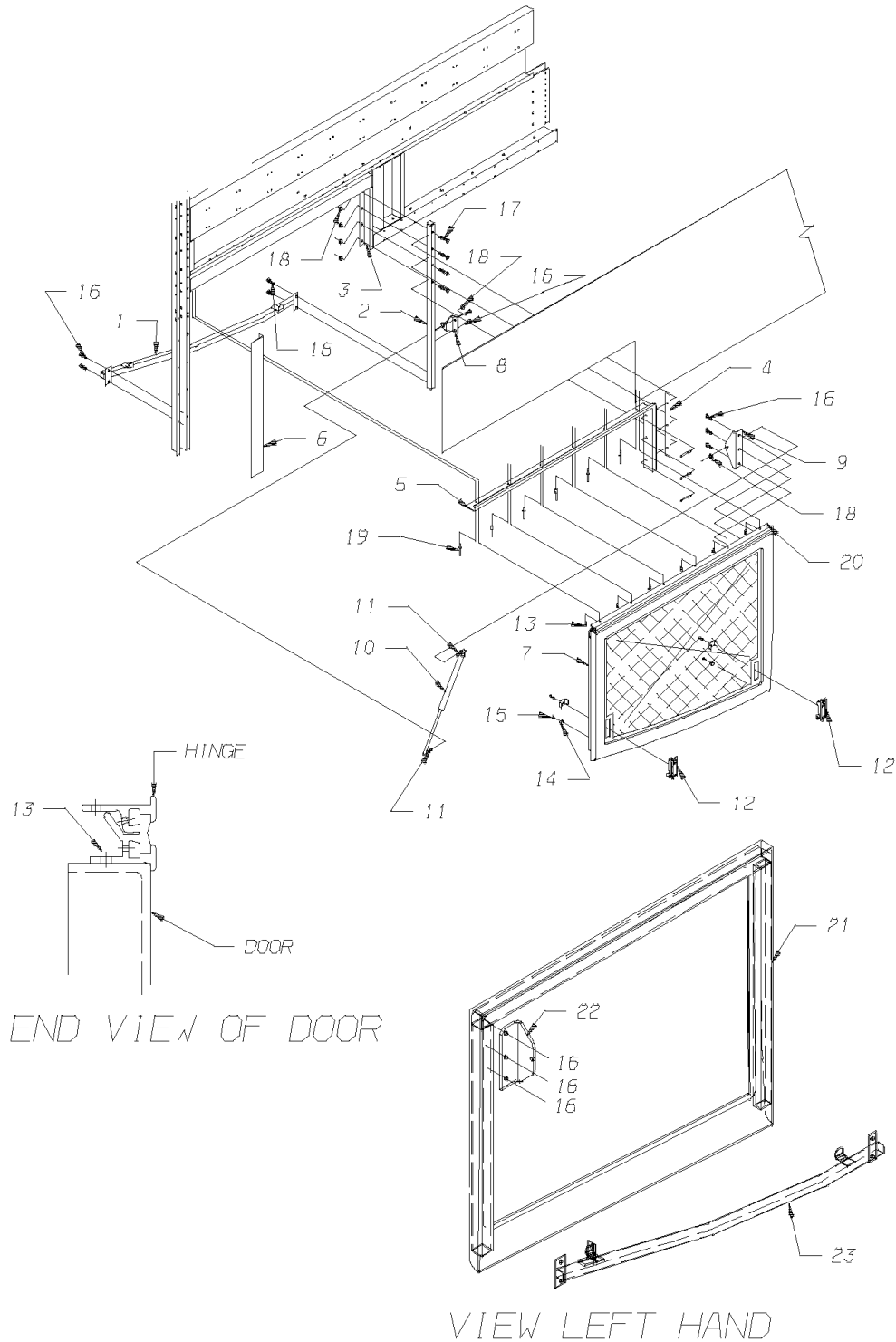


Models: C4RE
 CENTER
 ELECTRICAL DOOR INSTALLATION, UPPER & LOWER

Key	PartNumber	Qty	Description	Comment
1	0034684		PANEL ASSY,DOOR,ELECT ACCESS,UPPER, C4RE	
2	0034685		PANEL ASSY,DOOR,ELECT ACCESS,LOWER,	
3	0044715	2	LATCH,ELECTRICAL DOOR,SQUARE"	
4	4604047	4	HINGE,SELBY,SELF CLOSING,175 DEG,H	
5	1542034	2	PROP,DOOR,ELECTRICAL ACCESS,AA/TC	
6	0032101		PANEL ASSY,OS/S,DRIVERS WINDOW,LOWER,	
7	2186401	16	SCREW,10-16 X 1/2,AB,PH1,PAN HD,YEL ZN	
8	2001253	8	NUT,HEX HD,8-32,YELLOW DICHROMATE	
9	2001162	8	LOCKWASHER,SPLIT RING, 3/16,MED,YEL ZN	
10	0563916	8	SCREW,8-32 X 1/2,PH1,RD HD,YEL ZN DICH	
NI	0041287	15	EXTRUSION,RUBBER,ELECTRICAL DOOR,C4RE	

Models: **C4RE
CENTER
SIDE DOOR ASSY, ENGINE COMPARTMENT**

Key	PartNumber	Qty	Description	Comment
-----	------------	-----	-------------	---------



Models: C4RE
 CENTER
 SIDE DOOR ASSY, ENGINE COMPARTMENT

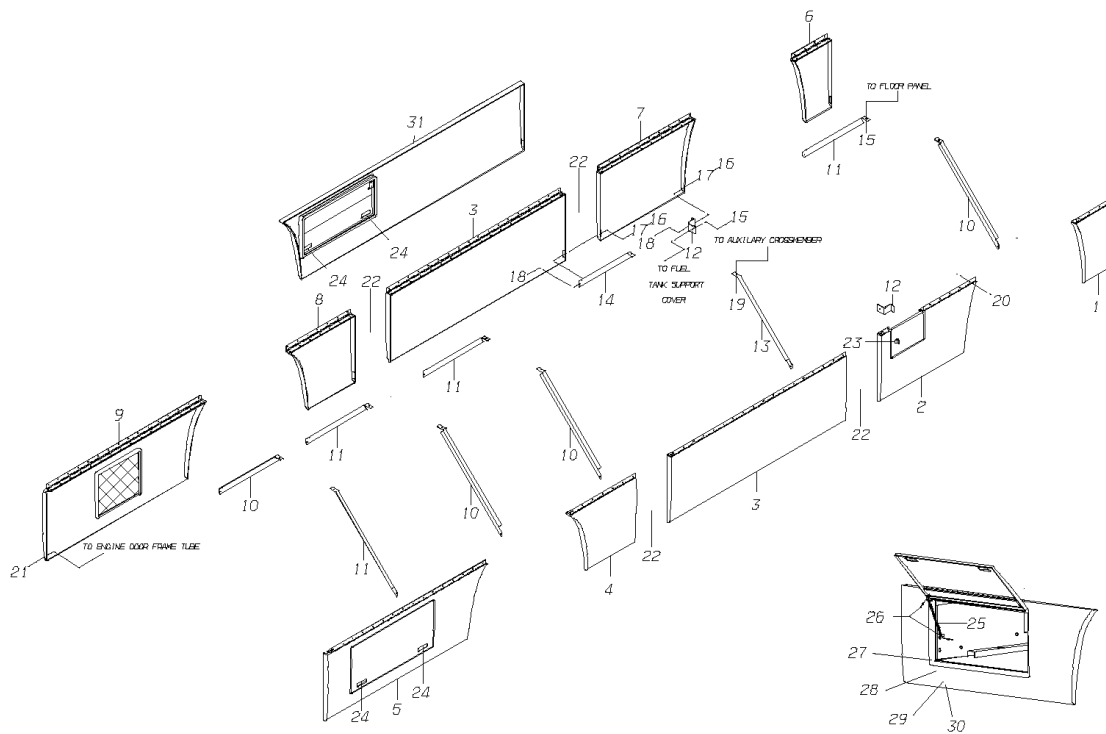
Key	PartNumber	Qty	Description	Comment
1	0041796		TUBE ASSY,LOWER,RH,SIDE ENG CMPT DOOR,	
2	0041800	2	TUBE,FORWARD,SIDE ENG CMPT DOOR, C4RE	
3	0041797		CHANNEL,FORWARD,RH,SIDE ENG CMPT DOOR,	
NI	0044396		CHANNEL,FORWARD,LH,SIDE ENG CMPT DOOR,	
4	0044366	2	SHIM,TRIM,OPENING,SIDE ENG CMPT DOOR,	
5	0042102		TRIM ASSY,OPENING,RH,SIDE ENG CMPT DR,	
NI	0042103		TRIM ASSY,OPENING,LH,SIDE ENG CMPT DR,	
6	0041837	2	TRIM,OPENING,REAR,SIDE ENG CMPT DR,C4RE	
7	0044170		DOOR ASSY,SIDE,ENGINE COMPARTMENT,RH,	
8	0044065		BRACKET,GAS SPRING,SD ENG CMPT DR,LWR,	
9	0044073		BRACKET,GAS STRUT,SD ENG CMPT DR,UPR,	
10	1919612	2	SPRING,GAS,FAN22A,63LB	
11	3758810	4	STUD,BALL,O/H CABINET 10MM,WL	
12	1814474	4	LATCH,ADJUSTABLE LEVER,THICK GRIP	
13	1589522	18	SCREW,10-16 X 3/4,AB,PH1,PAN HD,YEL ZN	
14	1486919	4	BUMPER,RUBBER RECESS,.469 X .719 DIA	
15	2186419	4	SCREW,SM,PH,PN/HD,6-20 X 1/2,TYPE AB,ZN3	
16	2000198	18	SCREW,5/16-18 X 1,D,HEX HD,YEL ZN DICH	
17	1085604	8	CAPSCREW,HEX HD,5/16-18X1 3/4,GR8,	
18	0829390	12	NUT,HEX HD,5/16-18,SER WASHER,YEL ZN	
19	1549211	18	RIVET,CHERRY,SSPVH-204-4	
20	0043970	2	HINGE ASSY,ALUMINUM,SIDE ENG CMPT DOOR,	
21	0044171		DOOR ASSY,SIDE,ENGINE COMPARTMENT,LH,	

Models: C4RE
CENTER
SIDE DOOR ASSY, ENGINE COMPARTMENT

Key	PartNumber	Qty	Description	Comment
22	0038387		BRACKET,GAS STRUT,SIDE ENG DOOR,UPPER,	
23	0042152		TUBE ASSY,LOWER,LH,SIDE ENG CMPT DOOR,	

Models: **C4RE
CENTER
SKIRT PANELS, HINGES & BRACES
2910 MODEL**

Key	PartNumber	Qty	Description	Comment
-----	------------	-----	-------------	---------



BATTERY BOX / AHD WERSTO HEATER BOX DOOR POOP DETAIL

Models: C4RE
**CENTER
 SKIRT PANELS, HINGES & BRACES
 2910 MODEL**

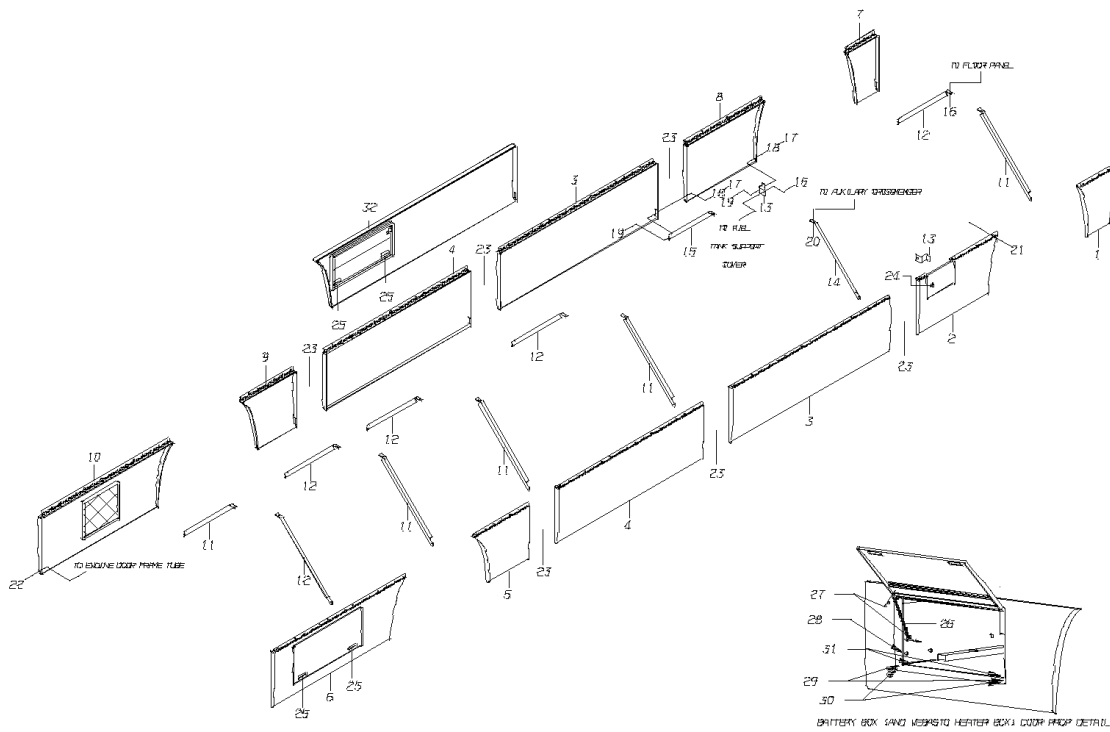
Key	PartNumber	Qty	Description	Comment
1	0038434		PANEL,SKIRT,FRT W/H,FORWARD,RIGHT HAND	
2	0041441		PANEL ASSY,SKIRT,DIESEL FILL,C4RE	STANDARD
2	0041974		PANEL,SKIRT,FRT W/H,REAR,RH,W/O DOOR,	FEATURE 40245-01. CNG FUEL SYSTEM
3	0039806		PANEL,SKIRT,61.49,C4RE	
4	0039763		PANEL,SKIRT,REAR W/H,FRONT,RIGHT HAND,	STANDARD
4	0044883		PANEL ASSY,SKIRT,CNG FILL, C4RE	FEATURE 40245-01. CNG FUEL SYSTEM
5	0049207		PANEL ASSY,SKIRT,BATTERY COMPARTMENT,	
6	0038435		PANEL,SKIRT,FRT W/H,FORWARD,LEFT HAND,	
7	0039762		PANEL,SKIRT,FRT W/H,REAR,LEFT HAND,C4RE	
8	0039764		PANEL,SKIRT,REAR W/H,FRONT,LEFT HAND,	
9	0039766		PANEL,SKIRT,REAR W/H,REAR,LEFT HAND,	
10	0043521		BRACE,SKIRT TO FLOOR,RIGHT HAND,C4RE	
11	0043522		BRACE,SKIRT TO FLOOR,LEFT HAND, C4RE	
12	0043584		BRACKET,MTG,SKIRT,DIESEL FUEL TANK, C4RE	
13	0043520		BRACE,SKIRT TO AUX CROSSMEMBER,LH, C4RE	
14	0043519		BRACE,SKIRT TO AUX CROSSMEMBER,RH,C4RE	
15	2083103		SCREW,1/4-14X3/4,AB,PH1,PANHD,YEL ZN,	
16	2000057		CAPSCREW,HEX HD,1/4-20 X 1,GR 5,YEL ZN	
17	1247709		WASHER,FLAT,17/64 ID X,5/8,YEL ZN DICH	
18	0659979		NUT,HEX,FLANGE SER,1/4-20,BLACK ZINC	
19	2000073		SCREW,1/4-20 X 1,D,HEX HD,YEL ZN DICH	
20	1854397		RIVET,BLIND,.25 DIA,.38 GRIP	
21	0016806		RIVET,CHERRY,SSCV-8-8	

Models: C4RE
 CENTER
 SKIRT PANELS, HINGES & BRACES
 2910 MODEL

Key	PartNumber	Qty	Description	Comment
22	3943925		SEAL,WINDOW,.50 X .375,QB	
23	0044714		LATCH,QD PNL,TALL WING,SOUTHCO E5-2-125	STANDARD
23	0049850		LATCH,QD PNL,TALL WING,SOUTHCO E5-2-125	FEATURE 40245-01. CNG FUEL SYSTEM
24	1814474		LATCH,ADJUSTABLE LEVER,THICK GRIP	
25	1762244		SUPPORT,DOOR,SPRING,EMERGENCY EQUIP	
26	1494160		RIVET,.12,CHERRY SSP-42	
27	0621953		TAPE,FOAM,1/8X3/4X50FT,CLSD.CELL NEOP.	
28	0042913	2	ANGLE,LATCH CATCH,BATTERY COMPARTMENT,	
29	3903200	2	BUMPER,RECESSED,0.50 DIA X 0.44 TALL,	
30	0527267	2	SCREW,6-20 X 1/2,AB,PH1,PAN HD,YEL ZN	
31	0055288		PANEL ASSY,SK,RR W/H,FRT,LH W/WEB HTR,	
NI	0063016		PANEL,SKIRT,BODE DEDICATED LIFT DOOR,	FEATURE 31060-02
NI	1792860	10	RIVET,.18,MONOBOLT,CHERRY,SSCV-66	
NI	0041109		HINGE,STNLS,.120 PIN X 2.50 OPEN,2.50, C4RE	
NI	0041110		HINGE,STNLS,.120 PIN X 2.50 OPEN,12.50	
NI	0041111		HINGE,STNLS,.120 PIN X 2.50 OPEN,18.00	
NI	0041112		HINGE,STNLS,.120 PIN X 2.50 OPEN,22.50	
NI	0041113		HINGE,STNLS,.120 PIN X 2.50 OPEN,32.50	
NI	0041114		HINGE,STNLS,.120 PIN X 2.50 OPEN,54.00	
NI	0041115		HINGE,STNLS,.120 PIN X 2.50 OPEN,60.75	
NI	0041116		HINGE,STNLS,.120 PIN X 2.50 OPEN,65.25	
NI	0977132		CAPSCREW,HEX HD,1/4-20 X 3/4,GR 5,YEL	
NI	0659979		NUT,HEX,FLANGE SER,1/4-20,BLACK ZINC	

Models: **C4RE
CENTER
SKIRT PANELS, HINGES & BRACES
3505 MODEL**

Key	PartNumber	Qty	Description	Comment
-----	------------	-----	-------------	---------



Models: C4RE
**CENTER
 SKIRT PANELS, HINGES & BRACES
 3505 MODEL**

Key	PartNumber	Qty	Description	Comment
1	0038434		PANEL,SKIRT,FRT W/H,FORWARD,RIGHT HAND	
2	0041441		PANEL ASSY,SKIRT,DIESEL FILL,C4RE	STANDARD
2	0041974		PANEL,SKIRT,FRT W/H,REAR,RH,W/O DOOR,	FEATURE 40245-01. CNG FUEL SYSTEM
3	0039770		PANEL,SKIRT,66.88,C4RE	
4	0039806		PANEL,SKIRT,61.49,C4RE	
5	0039763		PANEL,SKIRT,REAR W/H,FRONT,RIGHT HAND,	STANDARD
5	0044883		PANEL ASSY,SKIRT,CNG FILL, C4RE	FEATURE 40245-01. CNG FUEL SYSTEM
6	0049207		PANEL ASSY,SKIRT,BATTERY COMPARTMENT,	
7	0038435		PANEL,SKIRT,FRT W/H,FORWARD,LEFT HAND,	
8	0039762		PANEL,SKIRT,FRT W/H,REAR,LEFT HAND,C4RE	
9	0039764		PANEL,SKIRT,REAR W/H,FRONT,LEFT HAND,	
10	0039766		PANEL,SKIRT,REAR W/H,REAR,LEFT HAND,	
11	0043521		BRACE,SKIRT TO FLOOR,RIGHT HAND,C4RE	
12	0043522		BRACE,SKIRT TO FLOOR,LEFT HAND, C4RE	
13	0043584		BRACKET,MTG,SKIRT,DIESEL FUEL TANK, C4RE	
14	0043520		BRACE,SKIRT TO AUX CROSSMEMBER,LH, C4RE	
15	0043519		BRACE,SKIRT TO AUX CROSSMEMBER,RH,C4RE	
16	2083103		SCREW,1/4-14X3/4,AB,PH1,PANHD,YEL ZN,	
17	2000057		CAPSCREW,HEX HD,1/4-20 X 1,GR 5,YEL ZN	
18	1247709		WASHER,FLAT,17/64 ID X,5/8,YEL ZN DICH	
19	0659979		NUT,HEX,FLANGE SER,1/4-20,BLACK ZINC	
20	2000073		SCREW,1/4-20 X 1,D,HEX HD,YEL ZN DICH	
21	1854397		RIVET,BLIND,.25 DIA,.38 GRIP	

Models: C4RE
 CENTER
 SKIRT PANELS, HINGES & BRACES
 3505 MODEL

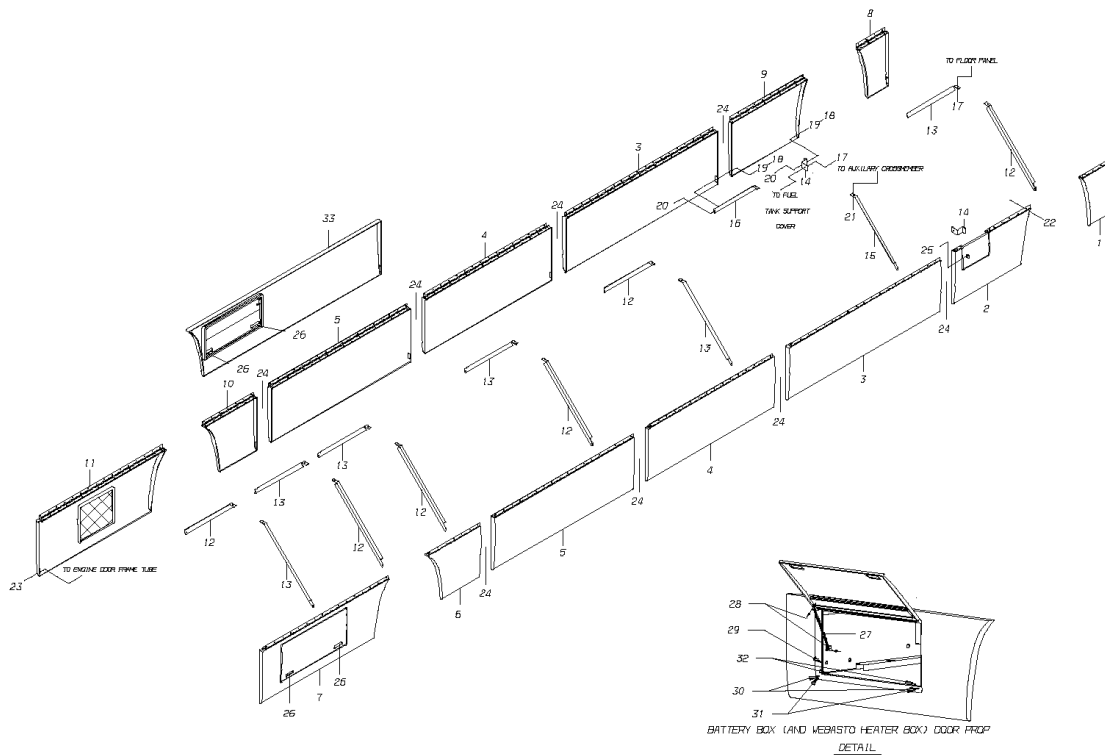
Key	PartNumber	Qty	Description	Comment
22	0016806		RIVET,CHERRY,SSCV-8-8	
23	3943925		SEAL,WINDOW,.50 X .375,QB	
24	0044714		LATCH,QD PNL,TALL WING,SOUTHCO E5-2-125	STANDARD
24	0049850		LATCH,QD PNL,TALL WING,SOUTHCO E5-2-125	FEATURE 40245-01. CNG FUEL SYSTEM
25	1814474		LATCH,ADJUSTABLE LEVER,THICK GRIP	
26	1762244		SUPPORT,DOOR,SPRING,EMERGENCY EQUIP	
27	1494160		RIVET,.12,CHERRY SSP-42	
28	0621953		TAPE,FOAM,1/8X3/4X50FT,CLSD.CELL NEOP.	
29	3903200	2	BUMPER,RECESSED,0.50 DIA X 0.44 TALL,	
30	0527267	2	SCREW,6-20 X 1/2,AB,PH1,PAN HD,YEL ZN	
31	0042913	2	ANGLE,LATCH CATCH,BATTERY COMPARTMENT,	
32	0055288		PANEL ASSY,SK,RR W/H,FRT,LH W/WEB HTR,	FEATURE 1345-02
33	0055245	4	WELL-NUT,E-51618,.620 X .725	FEATURE 40245-01 - CNG FUEL SYSTEM
34	0055246	4	BRACE,ROCK GUARD TO SKIRT,CNG, C4RE	FEATURE 40245-01 - CNG FUEL SYST
35	1078922	4	WASHER,FLAT,3/8 X 7/8 X 5/64,YEL ZN DICH	FEATURE 40245-01 - CNG FUEL SYSTEM
36	0854406	4	CAPSCREW,HEX HD,5/16-18 X 1,GR8,YEL ZN	FEATURE 40245-01 - CNG FUEL SYSTEM
NI	0063016		PANEL,SKIRT,BODE DEDICATED LIFT DOOR,	
NI	1792860	10	RIVET,.18,MONOBOLT,CHERRY,SSCV-66	
NI	0041109		HINGE,STNLS,.120 PIN X 2.50 OPEN,2.50, C4RE	
NI	0041110		HINGE,STNLS,.120 PIN X 2.50 OPEN,12.50	
NI	0041111		HINGE,STNLS,.120 PIN X 2.50 OPEN,18.00	
NI	0041112		HINGE,STNLS,.120 PIN X 2.50 OPEN,22.50	

Models: C4RE
 CENTER
 SKIRT PANELS, HINGES & BRACES
 3505 MODEL

Key	PartNumber	Qty	Description	Comment
NI	0041113		HINGE,STNLS,.120 PIN X 2.50 OPEN,32.50	
NI	0041114		HINGE,STNLS,.120 PIN X 2.50 OPEN,54.00	
NI	0041115		HINGE,STNLS,.120 PIN X 2.50 OPEN,60.75	
NI	0041116		HINGE,STNLS,.120 PIN X 2.50 OPEN,65.25	
NI	0977132		CAPSCREW,HEX HD,1/4-20 X 3/4,GR 5,YEL	
NI	0659979		NUT,HEX,FLANGE SER,1/4-20,BLACK ZINC	

Models: **C4RE
CENTER
SKIRT PANELS, HINGES & BRACES
4000 MODEL**

Key	PartNumber	Qty	Description	Comment
-----	------------	-----	-------------	---------



Models: C4RE
**CENTER
 SKIRT PANELS, HINGES & BRACES
 4000 MODEL**

Key	PartNumber	Qty	Description	Comment
1	0038434		PANEL,SKIRT,FRT W/H,FORWARD,RIGHT HAND	
2	0041441		PANEL ASSY,SKIRT,DIESEL FILL,C4RE	STANDARD
2	0041974		PANEL,SKIRT,FRT W/H,REAR,RH,W/O DOOR,	FEATURE 40245-01. CNG FUEL SYSTEM
3	0039770		PANEL,SKIRT,66.88,C4RE	
4	0039769		PANEL,SKIRT,55.88, C4RE	
5	0039806		PANEL,SKIRT,61.49,C4RE	
6	0039763		PANEL,SKIRT,REAR W/H,FRONT,RIGHT HAND,	STANDARD
6	0044883		PANEL ASSY,SKIRT,CNG FILL, C4RE	FEATURE 40245-01. CNG FUEL SYSTEM
7	0049207		PANEL ASSY,SKIRT,BATTERY COMPARTMENT,	
8	0038435		PANEL,SKIRT,FRT W/H,FORWARD,LEFT HAND,	
9	0039762		PANEL,SKIRT,FRT W/H,REAR,LEFT HAND,C4RE	
10	0039764		PANEL,SKIRT,REAR W/H,FRONT,LEFT HAND,	
11	0039766		PANEL,SKIRT,REAR W/H,REAR,LEFT HAND,	
12	0043521		BRACE,SKIRT TO FLOOR,RIGHT HAND,C4RE	
13	0043522		BRACE,SKIRT TO FLOOR,LEFT HAND, C4RE	
14	0043584		BRACKET,MTG,SKIRT,DIESEL FUEL TANK, C4RE	
15	0043520		BRACE,SKIRT TO AUX CROSSMEMBER,LH, C4RE	
16	0043519		BRACE,SKIRT TO AUX CROSSMEMBER,RH,C4RE	
17	2083103		SCREW,1/4-14X3/4,AB,PH1,PANHD,YEL ZN,	
18	2000057		CAPSCREW,HEX HD,1/4-20 X 1,GR 5,YEL ZN	
19	1247709		WASHER,FLAT,17/64 ID X,5/8,YEL ZN DICH	
20	0659979		NUT,HEX,FLANGE SER,1/4-20,BLACK ZINC	
21	2000073		SCREW,1/4-20 X 1,D,HEX HD,YEL ZN DICH	

Models: C4RE
 CENTER
 SKIRT PANELS, HINGES & BRACES
 4000 MODEL

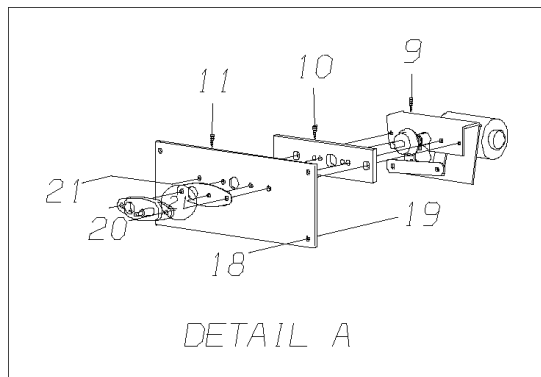
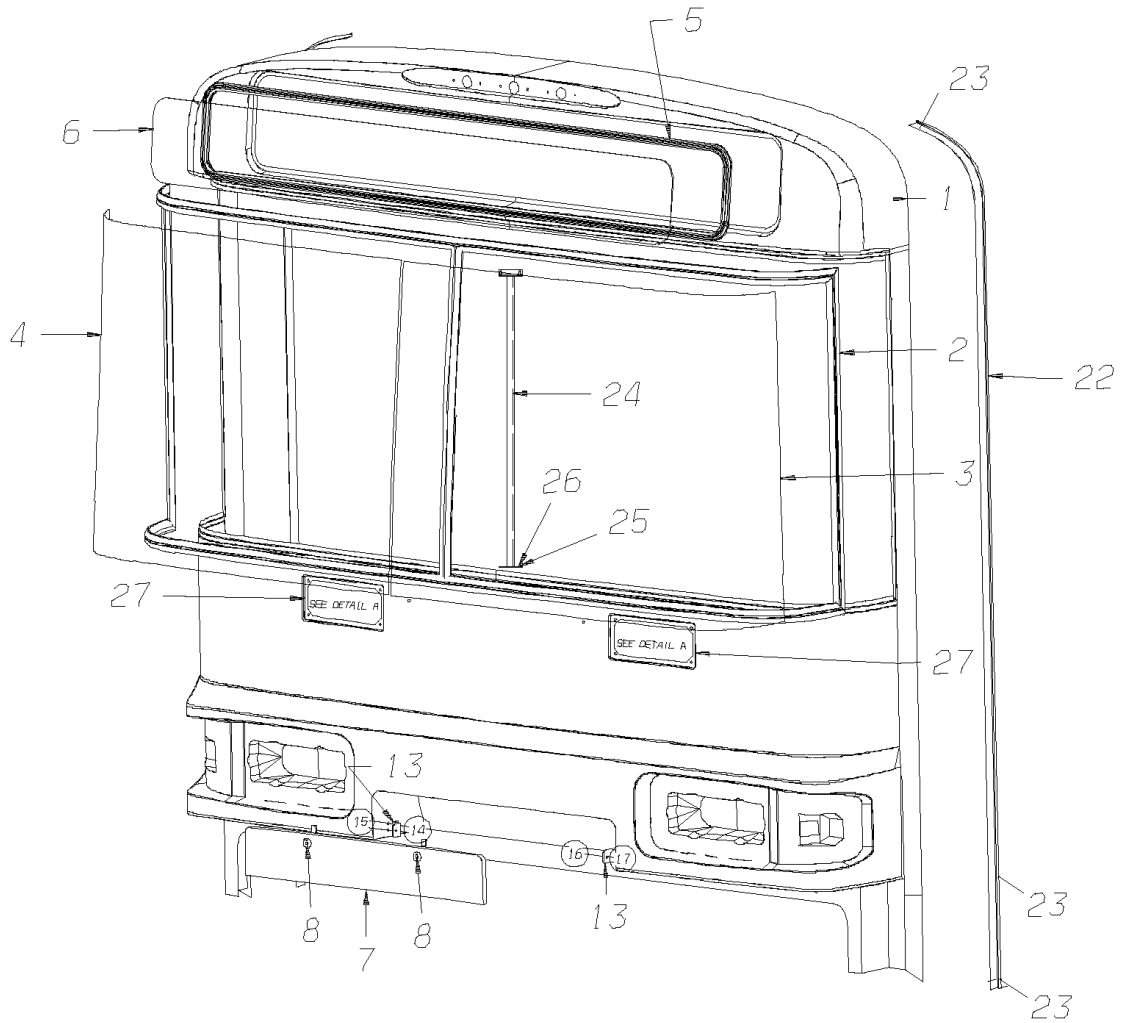
Key	PartNumber	Qty	Description	Comment
22	1854397		RIVET,BLIND,,.25 DIA, .38 GRIP	
23	0016806		RIVET,CHERRY,SSCV-8-8	
24	3943925		SEAL,WINDOW,.50 X .375,QB	
25	0044714		LATCH,QD PNL,TALL WING,SOUTHCO E5-2-125	STANDARD
25	0049850		LATCH,QD PNL,TALL WING,SOUTHCO E5-2-125	FEATURE 40245-01. CNG FUEL SYSTEM
26	1814474		LATCH,ADJUSTABLE LEVER,THICK GRIP	
27	1762244		SUPPORT,DOOR,SPRING,EMERGENCY EQUIP	
28	1494160		RIVET,.12,CHERRY SSP-42	
29	0621953		TAPE,FOAM,1/8X3/4X50FT,CLSD.CELL NEOP.	
30	3903200	2	BUMPER,RECESSED,0.50 DIA X 0.44 TALL,	
31	0527267	2	SCREW,6-20 X 1/2,AB,PH1,PAN HD,YEL ZN	
32	0042913	2	ANGLE,LATCH CATCH,BATTERY COMPARTMENT,	
33	0055288		PANEL ASSY,SK,RR W/H,FRT,LH W/WEB HTR,	FEATURE 1345-02
NI	0063016		PANEL,SKIRT,BODE DEDICATED LIFT DOOR,	
NI	1792860	10	RIVET,.18,MONOBOLT,CHERRY,SSCV-66	
NI	0041109		HINGE,STNLS,.120 PIN X 2.50 OPEN,2.50, C4RE	
NI	0041110		HINGE,STNLS,.120 PIN X 2.50 OPEN,12.50	
NI	0041111		HINGE,STNLS,.120 PIN X 2.50 OPEN,18.00	
NI	0041112		HINGE,STNLS,.120 PIN X 2.50 OPEN,22.50	
NI	0041113		HINGE,STNLS,.120 PIN X 2.50 OPEN,32.50	
NI	0041114		HINGE,STNLS,.120 PIN X 2.50 OPEN,54.00	
NI	0041115		HINGE,STNLS,.120 PIN X 2.50 OPEN,60.75	
NI	0041116		HINGE,STNLS,.120 PIN X 2.50 OPEN,65.25	

Models: C4RE
CENTER
SKIRT PANELS, HINGES & BRACES
4000 MODEL

Key	PartNumber	Qty	Description	Comment
NI	0977132		CAPSCREW,HEX HD,1/4-20 X 3/4,GR 5,YEL	
NI	0659979		NUT,HEX,FLANGE SER,1/4-20,BLACK ZINC	

Models: C4RE
FRONT

Key	PartNumber	Qty	Description	Comment
-----	------------	-----	-------------	---------



Models: C4RE
FRONT

Key	PartNumber	Qty	Description	Comment
1	0037996		CAP,FIBERGLASS,FRONT, C4RE	
2	0014444		RUBBER,WINDSHIELD SEAL, C4RE"	
3	0013729		GLASS,WINDSHIELD,LEFT HAND,C4RE	
4	0013728		GLASS,WINDSHIELD,RIGHT HAND,C4RE	
5	0042245		RUBBER,GLASS,FRONT DESTINATION SIGN,	
6	0038456		GLASS,CLEAR,FRONT DESTINATION SIGN, C4RE	
7	0043444		DOOR,ACCESS,TOW HOOK, C4RE	
8	0043443	2	LATCH,QUAD PNL,SQUARE,SOUTHCO E5-2-085	
9				SEE GROUP 400-WINDSHIELD WIPERS
10				SEE GROUP 400-WINDSHIELD WIPERS
11	1961101		PANEL,MTG,W/S WIPER MOTOR,RH,Q4RE	
11	1961119		PANEL,MTG,W/S WIPER MOTOR,LH,Q4RE	
12				SEE GROUP 400-WINDSHIELD WIPERS
13	0043290	2	BRACKET,MTG,ACCESS PANEL,TOW HOOK,	
14	2000768	4	SCREW,MACH,10-24 X 1, PH1,RD HD,YEL ZN	
15	1469287	4	NUT,HEX,10-24,ELASTIC LOCKNUT,YEL ZN DICH	
16	1338060	2	SCREW,SHLDR,ALLEN,.312 X .750	
17	1039262	2	NUT,HEX HD,1/4-20,LOCK,ZINC	
18				SEE GROUP 400-WINDSHIELD WIPERS
19				SEE GROUP 400-WINDSHIELD WIPERS
20				SEE GROUP 400-WINDSHIELD WIPERS
21				

Models: C4RE
FRONT

Key	PartNumber	Qty	Description	Comment
				<i>WIPERS</i>
22	0040152	2	EXTRUSION,EDGE,FIBERGLASS CAP, C4RE	
23	2217578	24	RIVET,BLIND,ALUM,1/8 DIA,W/ST M,251-312	
24	0067946		POST ASSY,SUPT,WINDSHIELD, C4RE	
25	2000198	4	SCREW,5/16-18 X 1,D,HEX HD,YEL ZN DICH	
26	2001121	4	WASHER,FLAT,5/16 X 3/4,X 5/64,YEL ZN DICH	
27	0898627		SEALANT,CARTRIDGE,SM5522,VINYL GRAY	<i>TUBE</i>
NI	2000511		SCREW,10-16 X 1/2,AB,PH1,TRUSS HD,	

**Models: C4RE
FRONT, CENTER, & REAR OUTSIDE PANELS
2910 MODEL
WITH FRONT & CENTER ENTRANCE DOORS
To BSN F20055504**

Key	PartNumber	Qty	Description	Comment
-----	------------	-----	-------------	---------

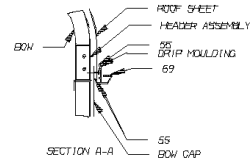
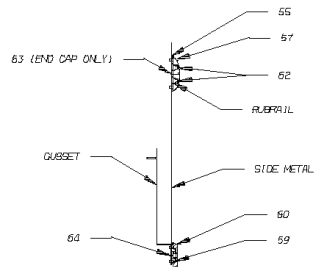
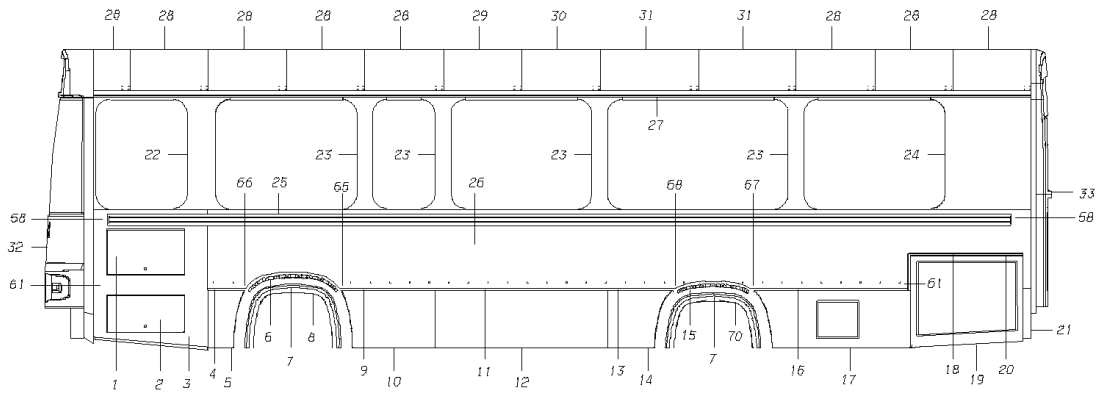
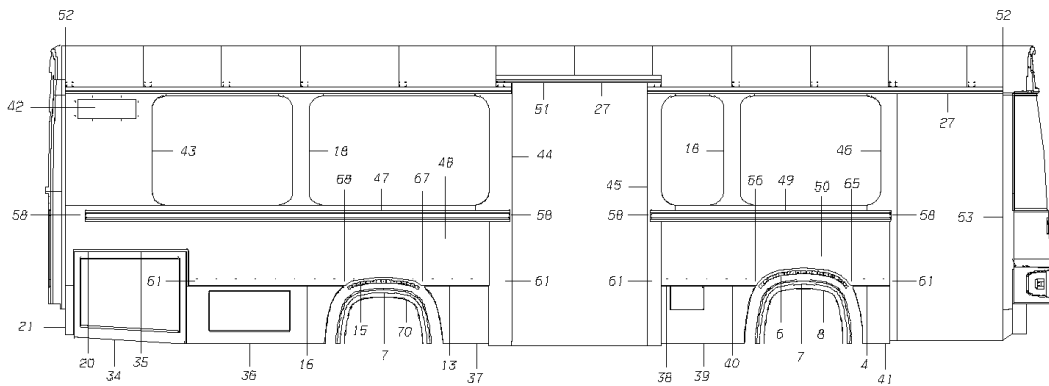


EXHIBIT 4314



Models: C4RE
FRONT, CENTER, & REAR OUTSIDE PANELS
2910 MODEL
WITH FRONT & CENTER ENTRANCE DOORS
To BSN F20055504

Key	PartNumber	Qty	Description	Comment
1	0034684		PANEL ASSY,DOOR,ELECT ACCESS,UPPER, C4RE	
2	0034685		PANEL ASSY,DOOR,ELECT ACCESS,LOWER,	
3	0032100		PANEL,OS/S,DRIVERS WINDOW,LOWER, C4RE	
4	0041110	2	HINGE,STNLS,.120 PIN X 2.50 OPEN,12.50	
5	0038435		PANEL,SKIRT,FRT W/H,FORWARD,LEFT HAND,	
6	0047078	2	RIM,WHEELHOUSE,FRONT, C4RE	
7	0038455	4	FENDER,RUBBER,C4RE	
8	1738533	4	RETAINER,RUBBER FENDER,REAR WHEELHOUSE	<i>ENDING WITH BSN F20050970</i>
8	0053534	2	RETAINER,RUBBER FENDER,FRONT	<i>BEGIN WITH BSN F20050971</i>
9	0041113		HINGE,STNLS,.120 PIN X 2.50 OPEN,32.50	
10	0039762		PANEL,SKIRT,FRT W/H,REAR,LEFT HAND,C4RE	
11	0041115	2	HINGE,STNLS,.120 PIN X 2.50 OPEN,60.75	
12	0039806		PANEL,SKIRT,61.49,C4RE	
13	0041112		HINGE,STNLS,.120 PIN X 2.50 OPEN,22.50	
14	0039764		PANEL,SKIRT,REAR W/H,FRONT,LEFT HAND,	
15	0047079	2	RIM,WHEELHOUSE,REAR,C4RE	
16	0041114	2	HINGE,STNLS,.120 PIN X 2.50 OPEN,54.00	
17	0039766		PANEL,SKIRT,REAR W/H,REAR,LEFT HAND,	
18	0042102		TRIM ASSY,OPENING,RH,SIDE ENG CMPT DR,	
19	0044170		DOOR ASSY,SIDE,ENGINE COMPARTMENT,RH,	
20	0043970	2	HINGE ASSY,ALUMINUM,SIDE ENG CMPT DOOR,	
21	0041837	2	TRIM,OPENING,REAR,SIDE ENG CMPT DR,C4RE	
22	0037491		PANEL,OS/S,DRIVERS WINDOW,UPPER, C4RE	

Models: C4RE
FRONT, CENTER, & REAR OUTSIDE PANELS
2910 MODEL
WITH FRONT & CENTER ENTRANCE DOORS
To BSN F20055504

Key	PartNumber	Qty	Description	Comment
23	0034921	6	BOW CAP,DOUBLE BOW, C4RE	
24	0038125		PANEL,OUTSIDE,REAR,UPPER,LEFT HAND, C4RE	
25	0310383		RUB RAIL,NO 46,322 3/4 IN"	
26	0037499		PANEL,OS/S,LEFT HAND, 2910C4RE	
27	0038670	3	EXTRUSION,DRIP MOLDING, C4RE	
28	0034023	8	PANEL,ROOF,O/S,28.00,81.00 HEADROOM,	
29	0034024	2	PANEL,ROOF,O/S,35.00,81.00 HEADROOM,	
30	0038596		PANEL,ROOF,OUTSIDE,28.00,FRONT,EXIT DR	
31	0038597		PANEL,ROOF,OUTSIDE,28.00,REAR,EXIT DR,	
32	0037996		CAP,FIBERGLASS,FRONT, C4RE	
33	0037997		CAP,FIBERGLASS,REAR, C4RE	
34	0044171		DOOR ASSY,SIDE,ENGINE COMPARTMENT,LH,	
35	0042103		TRIM ASSY,OPENING,LH,SIDE ENG CMPT DR,	
36	0049207		PANEL ASSY,SKIRT,BATTERY COMPARTMENT,	
	0039765		PANEL,SKIRT,REAR W/H,REAR,RIGHT HAND,	Part of item 36
	0039776		DOOR,BATTERY COMPARTMENT,C4RE	Part of item 36
	0041143		HINGE,STNLS,.120 PIN X 1.50 OPEN,27.50	Part of item 36
	0542019		RIVET,LONG CHERRY,7355-100-6-8	Part of item 36
37	0039763		PANEL,SKIRT,REAR W/H,FRONT,RIGHT HAND,	STANDARD
37	0044883		PANEL ASSY,SKIRT,CNG FILL, C4RE	FEATURE 40245-01. CNG
38	0041109		HINGE,STNLS,.120 PIN X 2.50 OPEN,2.50, C4RE	
39	0041441		PANEL ASSY,SKIRT,DIESEL FILL,C4RE	STANDARD
39	0041974		PANEL,SKIRT,FRT W/H,REAR,RH,W/O DOOR,	FEATURE 40245-01. CNG

**Models: C4RE
FRONT, CENTER, & REAR OUTSIDE PANELS
2910 MODEL
WITH FRONT & CENTER ENTRANCE DOORS
To BSN F20055504**

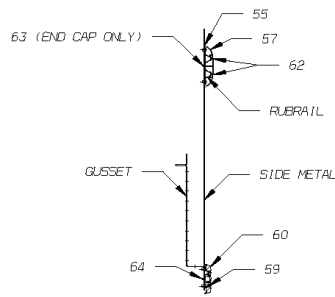
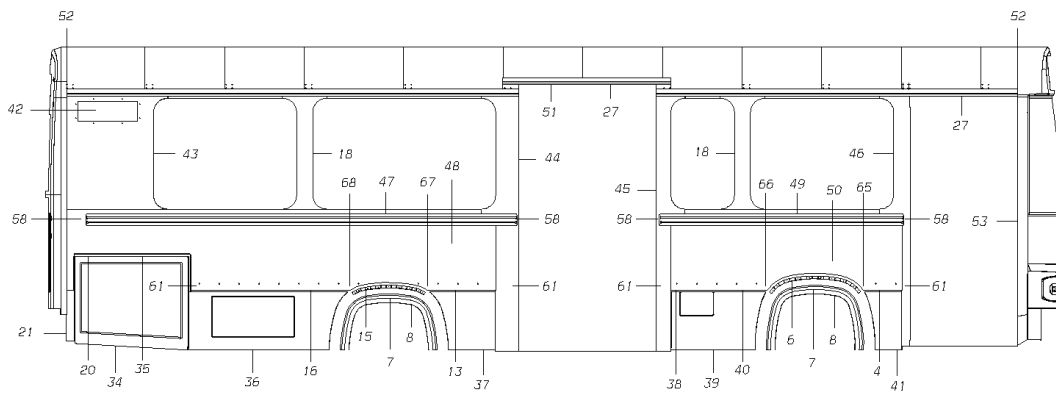
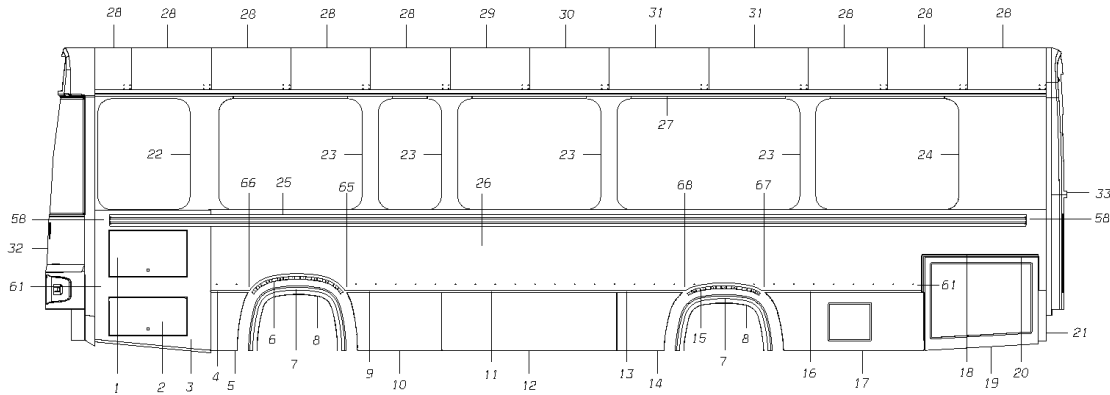
Key	PartNumber	Qty	Description	Comment
40	0041111		HINGE,STNLS,.120 PIN X 2.50 OPEN,18.00	
41	0038434		PANEL,SKIRT,FRT W/H,FORWARD,RIGHT HAND	
42	3917572		GRILLE ASSY,AIR INTAKE,89SP,PRIMED,001	
43	0038124		PANEL,OUTSIDE,REAR,UPPER,RIGHT HAND,	
44	0038950		BOW CAP,REAR,CENTER DOOR, C4RE	
45	0038951		BOW CAP,FRONT,REAR DOOR, C4RE	
46	0037464		BOW CAP,REAR,ENTRANCE DOOR, C4RE	
47	0041429		RUB RAIL,151.75,C4RE	
48	0037498		PANEL,OS/S,REAR,RIGHT HAND, C4RE	
49	0041427		RUB RAIL,86.00, C4RE	
50	0037495		PANEL,OS/S,FRONT,RIGHT HAND, 2910 C4RE	
51	0044695		TRIM,EXTERIOR,UPPER,EXIT DOOR, C4RE	
52	0040152	5	EXTRUSION,EDGE,FIBERGLASS CAP, C4RE	
53	0042208		TRIM,CORNER POST,FRONT,RIGHT HAND, C4RE	
NI	0621953		TAPE,FOAM,1/8X3/4X50FT,CLSD.CELL NEOP.	
55	0862953		SEALANT,SCHNEE-MOREHEAD 5522,VINYL	
NI	2002707		SEALANT,BEAD,1/8 IN,NO 5212	
57	1652890	3	EXTRUSION,RUBRAIL COVER,ALUMINUM,240"	
58	1653872	6	CAP,END,ALUMINUM RUBRAIL COVER	
59	1863109	3	EXTRUSION,SI PNL,LWR	
60	1863091		EXTRUSION,TRIM,SI PNL,LWR	
61	1863117		CAP,END,TRIM,SI PNL,LWR	
62	3979325	44	SCREW,PH,FT,8-32 X 5/8,TYPE C,ZN3	

**Models: C4RE
FRONT, CENTER, & REAR OUTSIDE PANELS
2910 MODEL
WITH FRONT & CENTER ENTRANCE DOORS
To BSN F20055504**

Key	PartNumber	Qty	Description	Comment
63	3979317	6	SCREW,PH,FT,8-32 X 1 5/16,TYPE C,ZN3	
64	0864579	44	SCREW,10-16 X 3/4,AB,PH1,PAN HD,SST	
65	0044099	2	END CAP ASSY,SIDE PANEL TRIM,FRONT,RH,	
66	0044100	2	END CAP ASSY,SIDE PANEL TRIM,FRONT,LH,	
67	0044101	2	END CAP ASSY,SIDE PANEL TRIM,REAR,RH,	
68	0044102	2	END CAP ASSY,SIDE PANEL TRIM,REAR,LH,	
69	1962505	44	SCREW,10-16X1-1/4,AB,PH1,PN/HD,YZND,	
70	0053535	2	RETAINER,RUBBER FENDER,REAR WHEELHOUSE	

Models: C4RE
FRONT, CENTER, & REAR OUTSIDE PANELS
2910 MODEL
WITH FRONT & CENTER ENTRANCE DOORS
BSN: From BSN F20055505

Key	PartNumber	Qty	Description	Comment
-----	------------	-----	-------------	---------



EXTERIOR TRIM

Models: C4RE
FRONT, CENTER, & REAR OUTSIDE PANELS
2910 MODEL
WITH FRONT & CENTER ENTRANCE DOORS
BSN: From BSN F20055505

Key	PartNumber	Qty	Description	Comment
1	0034684		PANEL ASSY,DOOR,ELECT ACCESS,UPPER, C4RE	
2	0034685		PANEL ASSY,DOOR,ELECT ACCESS,LOWER,	
3	0032100		PANEL,OS/S,DRIVERS WINDOW,LOWER, C4RE	
4	0041110	2	HINGE,STNLS,.120 PIN X 2.50 OPEN,12.50	
5	0038435		PANEL,SKIRT,FRT W/H,FORWARD,LEFT HAND,	
6	0047078	2	RIM,WHEELHOUSE,FRONT, C4RE	
7	0038455	4	FENDER,RUBBER,C4RE	
8	1738533	4	RETAINER,RUBBER FENDER,REAR WHEELHOUSE	
9	0041113		HINGE,STNLS,.120 PIN X 2.50 OPEN,32.50	
10	0039762		PANEL,SKIRT,FRT W/H,REAR,LEFT HAND,C4RE	
11	0041115	2	HINGE,STNLS,.120 PIN X 2.50 OPEN,60.75	
12	0039806		PANEL,SKIRT,61.49,C4RE	
13	0041112		HINGE,STNLS,.120 PIN X 2.50 OPEN,22.50	
14	0039764		PANEL,SKIRT,REAR W/H,FRONT,LEFT HAND,	
15	0047079	2	RIM,WHEELHOUSE,REAR,C4RE	
16	0041114	2	HINGE,STNLS,.120 PIN X 2.50 OPEN,54.00	
17	0039766		PANEL,SKIRT,REAR W/H,REAR,LEFT HAND,	
18	0042102		TRIM ASSY,OPENING,RH,SIDE ENG CMPT DR,	
19	0044170		DOOR ASSY,SIDE,ENGINE COMPARTMENT,RH,	
20	0043970	2	HINGE ASSY,ALUMINUM,SIDE ENG CMPT DOOR,	
21	0041837	2	TRIM,OPENING,REAR,SIDE ENG CMPT DR,C4RE	
22	0037491		PANEL,OS/S,DRIVERS WINDOW,UPPER, C4RE	
23	0034921	6	BOW CAP,DOUBLE BOW, C4RE	

Models: C4RE
FRONT, CENTER, & REAR OUTSIDE PANELS
2910 MODEL
WITH FRONT & CENTER ENTRANCE DOORS
BSN: From BSN F20055505

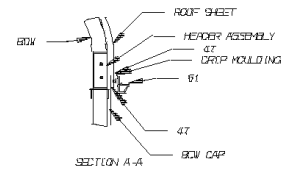
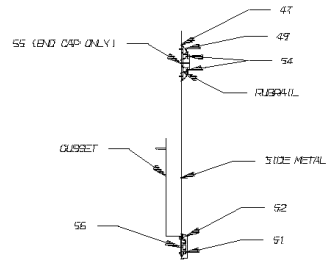
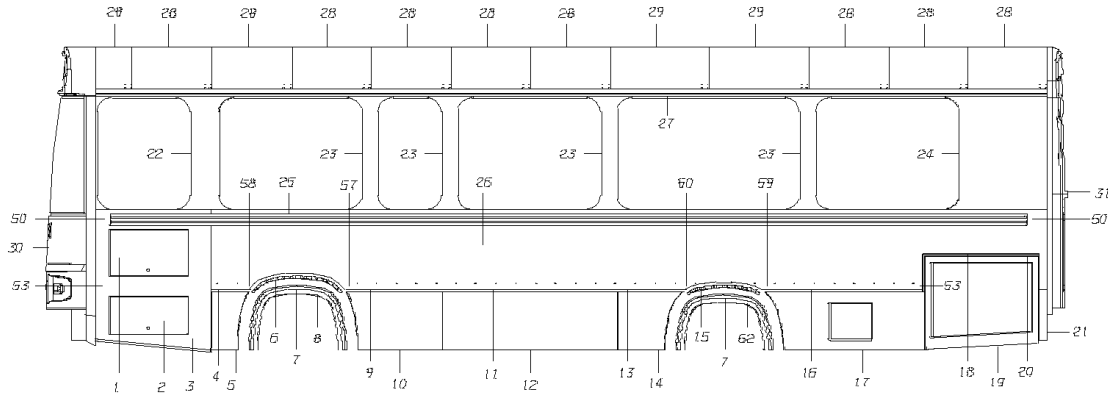
Key	PartNumber	Qty	Description	Comment
24	0038125		PANEL,OUTSIDE,REAR,UPPER,LEFT HAND, C4RE	
25	0054837		RUB RAIL,322.75, C4RE	
26	0054767		PANEL,OS/S,LEFT HAND, 2910C4RE	
27	0038670	3	EXTRUSION,DRIP MOLDING, C4RE	
28	0054762	8	PANEL,ROOF,O/S,28.00,81.00 HEADROOM,	
29	0054763	2	PANEL,ROOF,O/S,35.00,81.00 HEADROOM,	
30	0054764		PANEL,ROOF,OUTSIDE,28.00,FRONT,EXIT DR	
31	0054765		PANEL,ROOF,OUTSIDE,28.00,REAR,EXIT DR,	
32	0037996		CAP,FIBERGLASS,FRONT, C4RE	
33	0037997		CAP,FIBERGLASS,REAR, C4RE	
34	0044171		DOOR ASSY,SIDE,ENGINE COMPARTMENT,LH,	
35	0042103		TRIM ASSY,OPENING,LH,SIDE ENG CMPT DR,	
36	0049207		PANEL ASSY,SKIRT,BATTERY COMPARTMENT,	
37	0039763		PANEL,SKIRT,REAR W/H,FRONT,RIGHT HAND,	
38	0041109		HINGE,STNLS,.120 PIN X 2.50 OPEN,2.50, C4RE	
39	0041441		PANEL ASSY,SKIRT,DIESEL FILL,C4RE	
40	0041111		HINGE,STNLS,.120 PIN X 2.50 OPEN,18.00	
41	0038434		PANEL,SKIRT,FRT W/H,FORWARD,RIGHT HAND	
42	3917572		GRILLE ASSY,AIR INTAKE,89SP,PRIMED,001	
43	0038124		PANEL,OUTSIDE,REAR,UPPER,RIGHT HAND,	
44	0038950		BOW CAP,REAR,CENTER DOOR, C4RE	
45	0038951		BOW CAP,FRONT,REAR DOOR, C4RE	
46	0037464		BOW CAP,REAR,ENTRANCE DOOR, C4RE	

Models: C4RE
FRONT, CENTER, & REAR OUTSIDE PANELS
2910 MODEL
WITH FRONT & CENTER ENTRANCE DOORS
BSN: From BSN F20055505

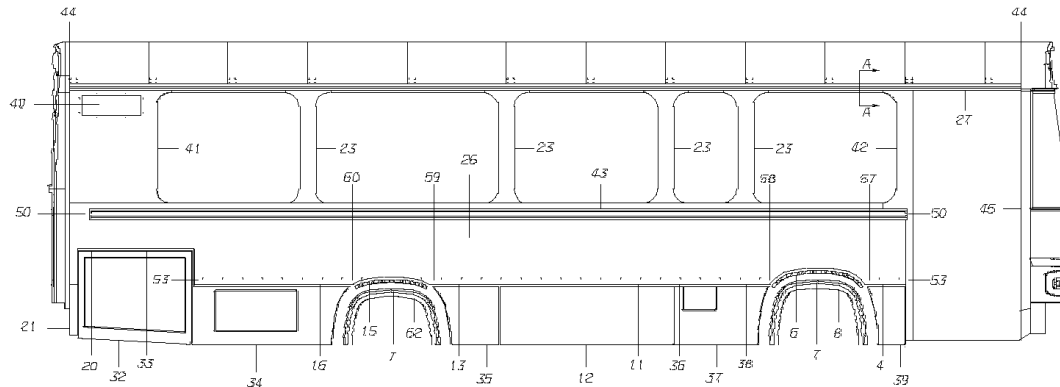
Key	PartNumber	Qty	Description	Comment
47	0054830		RUB RAIL,151.75, C4RE	
48	0054772		PANEL,OS/S,REAR,RIGHT HAND, 4000C4RE	
49	0054842		RUB RAIL,86.00, C4RE	
50	0054766		PANEL,OS/S,FRONT,RIGHT HAND, 2910C4RE	
51	0044695		TRIM,EXTERIOR,UPPER,EXIT DOOR, C4RE	
52	0040152	5	EXTRUSION,EDGE,FIBERGLASS CAP, C4RE	
53	0042208		TRIM,CORNER POST,FRONT,RIGHT HAND, C4RE	
54	0621953	50	TAPE,FOAM,1/8X3/4X50FT,CLSD.CELL NEOP.	
55	0862953	1.5	SEALANT,SCHNEE-MOREHEAD 5522,VINYL	
56	2002707	11	SEALANT,BEAD,1/8 IN,NO 5212	
57	1652890	3	EXTRUSION,RUBRAIL COVER,ALUMINUM,240"	
58	1653872	6	CAP,END,ALUMINUM RUBRAIL COVER	
59	1863109	3	EXTRUSION,SI PNL,LWR	
60	1863091	.6	EXTRUSION,TRIM,SI PNL,LWR	
61	1863117	6	CAP,END,TRIM,SI PNL,LWR	
62	3979325	44	SCREW,PH,FT,8-32 X 5/8,TYPE C,ZN3	
63	3979317	6	SCREW,PH,FT,8-32 X 1 5/16,TYPE C,ZN3	
64	0864579	44	SCREW,10-16 X 3/4,AB,PH1,PAN HD,SST	
65	0044099	2	END CAP ASSY,SIDE PANEL TRIM,FRONT,RH,	
66	0044100	2	END CAP ASSY,SIDE PANEL TRIM,FRONT,LH,	
67	0044101	2	END CAP ASSY,SIDE PANEL TRIM,REAR,RH,	
68	0044102	2	END CAP ASSY,SIDE PANEL TRIM,REAR,LH,	
69	1962505	44	SCREW,10-16X1-1/4,AB,PH1,PN/HD,YZND,	

Models: C4RE
FRONT, CENTER, & REAR OUTSIDE PANELS
2910 MODEL
WITH FRONT ENTRANCE DOOR ONLY
To BSN F20055504

Key	PartNumber	Qty	Description	Comment
-----	------------	-----	-------------	---------



EXTERIOR TRIM



**Models: C4RE
FRONT, CENTER, & REAR OUTSIDE PANELS
2910 MODEL
WITH FRONT ENTRANCE DOOR ONLY
To BSN F20055504**

Key	PartNumber	Qty	Description	Comment
1	0034684		PANEL ASSY,DOOR,ELECT ACCESS,UPPER, C4RE	
2	0034685		PANEL ASSY,DOOR,ELECT ACCESS,LOWER,	
3	0032100		PANEL,OS/S,DRIVERS WINDOW,LOWER, C4RE	
4	0041110	2	HINGE,STNLS,.120 PIN X 2.50 OPEN,12.50	
5	0038435		PANEL,SKIRT,FRT W/H,FORWARD,LEFT HAND,	
6	0047078	2	RIM,WHEELHOUSE,FRONT, C4RE	
7	0038455	4	FENDER,RUBBER,C4RE	
8	1738533	4	RETAINER,RUBBER FENDER,REAR WHEELHOUSE	<i>ENDING WITH BSN F20050970</i>
8	0053534	2	RETAINER,RUBBER FENDER,FRONT	<i>BEGIN WITH BSN F20050971</i>
9	0041113		HINGE,STNLS,.120 PIN X 2.50 OPEN,32.50	
10	0039762		PANEL,SKIRT,FRT W/H,REAR,LEFT HAND,C4RE	
11	0041115	2	HINGE,STNLS,.120 PIN X 2.50 OPEN,60.75	
12	0039806	2	PANEL,SKIRT,61.49,C4RE	
13	0041112	2	HINGE,STNLS,.120 PIN X 2.50 OPEN,22.50	
14	0039764		PANEL,SKIRT,REAR W/H,FRONT,LEFT HAND,	
15	0047079	2	RIM,WHEELHOUSE,REAR,C4RE	
16	0041114	2	HINGE,STNLS,.120 PIN X 2.50 OPEN,54.00	
17	0039766		PANEL,SKIRT,REAR W/H,REAR,LEFT HAND,	
18	0042102		TRIM ASSY,OPENING,RH,SIDE ENG CMPT DR,	
19	0044170		DOOR ASSY,SIDE,ENGINE COMPARTMENT,RH,	
20	0043970	2	HINGE ASSY,ALUMINUM,SIDE ENG CMPT DOOR,	
21	0041837	2	TRIM,OPENING,REAR,SIDE ENG CMPT DR,C4RE	
22	0037491		PANEL,OS/S,DRIVERS WINDOW,UPPER, C4RE	

**Models: C4RE
FRONT, CENTER, & REAR OUTSIDE PANELS
2910 MODEL
WITH FRONT ENTRANCE DOOR ONLY
To BSN F20055504**

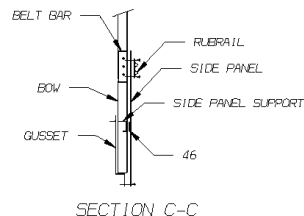
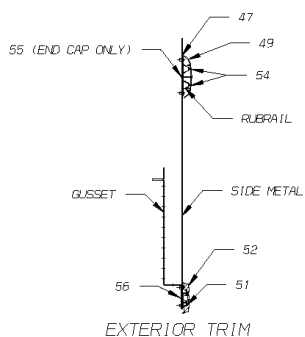
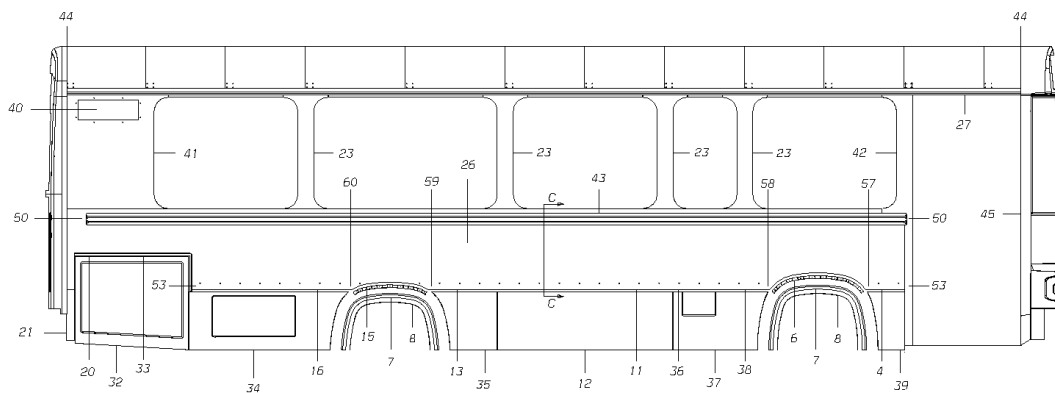
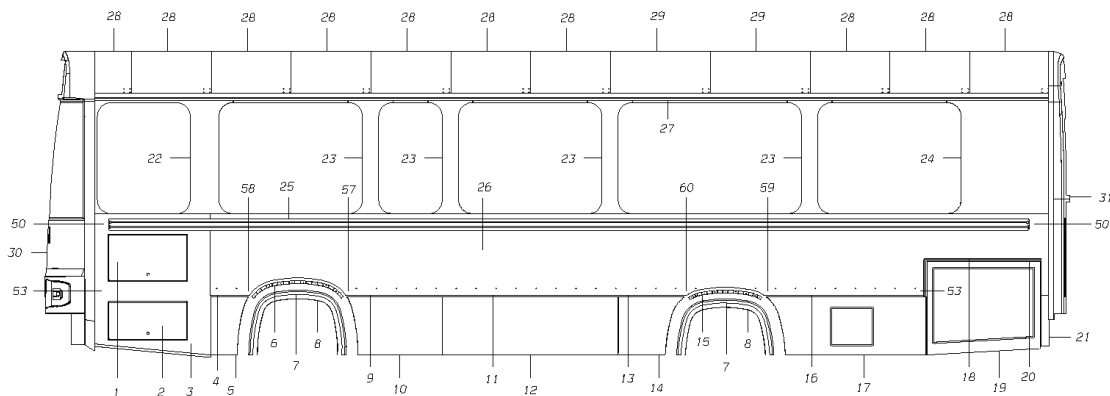
Key	PartNumber	Qty	Description	Comment
23	0034921	8	BOW CAP,DOUBLE BOW, C4RE	
24	0038125		PANEL,OUTSIDE,REAR,UPPER,LEFT HAND, C4RE	
25	0310383		RUB RAIL,NO 46,322 3/4 IN"	
26	0037499	2	PANEL,OS/S,LEFT HAND, 2910C4RE	
27	0038670	3	EXTRUSION,DRIP MOLDING, C4RE	
28	0034023	10	PANEL,ROOF,O/S,28.00,81.00 HEADROOM,	
29	0034024	2	PANEL,ROOF,O/S,35.00,81.00 HEADROOM,	
30	0037996		CAP,FIBERGLASS,FRONT, C4RE	
31	0037997		CAP,FIBERGLASS,REAR, C4RE	
32	0044171		DOOR ASSY,SIDE,ENGINE COMPARTMENT,LH,	
33	0042103		TRIM ASSY,OPENING,LH,SIDE ENG CMPT DR,	
34	0049207		PANEL ASSY,SKIRT,BATTERY COMPARTMENT,	
	0039765		PANEL,SKIRT,REAR W/H,REAR,RIGHT HAND,	<i>Part of item 34</i>
	0039776		DOOR,BATTERY COMPARTMENT,C4RE	<i>Part of item 34</i>
	0041143		HINGE,STNLS,.120 PIN X 1.50 OPEN,27.50	<i>Part of item 34</i>
	0542019		RIVET,LONG CHERRY,7355-100-6-8	<i>Part of item 34</i>
35	0039763		PANEL,SKIRT,REAR W/H,FRONT,RIGHT HAND,	<i>STANDARD</i>
35	0044883		PANEL ASSY,SKIRT,CNG FILL, C4RE	<i>FEATURE 40245-01. CNG</i>
36	0041109		HINGE,STNLS,.120 PIN X 2.50 OPEN,2.50, C4RE	
37	0041441		PANEL ASSY,SKIRT,DIESEL FILL,C4RE	<i>STANDARD</i>
37	0041974		PANEL,SKIRT,FRT W/H,REAR,RH,W/O DOOR,	<i>FEATURE 40245-01. CNG</i>
38	0041111		HINGE,STNLS,.120 PIN X 2.50 OPEN,18.00	
39	0038434		PANEL,SKIRT,FRT W/H,FORWARD,RIGHT HAND	

**Models: C4RE
FRONT, CENTER, & REAR OUTSIDE PANELS
2910 MODEL
WITH FRONT ENTRANCE DOOR ONLY
To BSN F20055504**

Key	PartNumber	Qty	Description	Comment
40	3917572		GRILLE ASSY,AIR INTAKE,89SP,PRIMED,001	
41	0038124		PANEL,OUTSIDE,REAR,UPPER,RIGHT HAND,	
42	0037464		BOW CAP,REAR,ENTRANCE DOOR, C4RE	
43	0310334		RUB RAIL,NO 41,287 3/4 IN"	
44	0040152	5	EXTRUSION,EDGE,FIBERGLASS CAP, C4RE	
45	0042208		TRIM,CORNER POST,FRONT,RIGHT HAND, C4RE	
NI	0621953		TAPE,FOAM,1/8X3/4X50FT,CLSD.CELL NEOP.	
47	0862953		SEALANT,SCHNEE-MOREHEAD 5522,VINYL	
NI	2002707		SEALANT,BEAD,1/8 IN,NO 5212	
49	1652890	3	EXTRUSION,RUBRAIL COVER,ALUMINUM,240"	
50	1653872	4	CAP,END,ALUMINUM RUBRAIL COVER	
51	1863109	3	EXTRUSION,SI PNL,LWR	
52	1863091	6	EXTRUSION,TRIM,SI PNL,LWR	
53	1863117	4	CAP,END,TRIM,SI PNL,LWR	
54	3979325	44	SCREW,PH,FT,8-32 X 5/8,TYPE C,ZN3	
55	3979317	4	SCREW,PH,FT,8-32 X 1 5/16,TYPE C,ZN3	
56	0864579	44	SCREW,10-16 X 3/4,AB,PH1,PAN HD,SST	
57	0044099	2	END CAP ASSY,SIDE PANEL TRIM,FRONT,RH,	
58	0044100	2	END CAP ASSY,SIDE PANEL TRIM,FRONT,LH,	
59	0044101	2	END CAP ASSY,SIDE PANEL TRIM,REAR,RH,	
60	0044102	2	END CAP ASSY,SIDE PANEL TRIM,REAR,LH,	
61	1962505	44	SCREW,10-16X1-1/4,AB,PH1,PN/HD,YZND,	
62	0053535	2	RETAINER,RUBBER FENDER,REAR WHEELHOUSE	

Models: C4RE
FRONT, CENTER, & REAR OUTSIDE PANELS
2910 MODEL
WITH FRONT ENTRANCE DOOR ONLY
BSN: From BSN F20055505

Key	PartNumber	Qty	Description	Comment
-----	------------	-----	-------------	---------



Models: C4RE
FRONT, CENTER, & REAR OUTSIDE PANELS
2910 MODEL
WITH FRONT ENTRANCE DOOR ONLY
BSN: From BSN F20055505

Key	PartNumber	Qty	Description	Comment
1	0034684		PANEL ASSY,DOOR,ELECT ACCESS,UPPER, C4RE	
2	0034685		PANEL ASSY,DOOR,ELECT ACCESS,LOWER,	
3	0032100		PANEL,OS/S,DRIVERS WINDOW,LOWER, C4RE	
4	0041110		HINGE,STNLS,.120 PIN X 2.50 OPEN,12.50	
5	0038435		PANEL,SKIRT,FRT W/H,FORWARD,LEFT HAND,	
6	0047078		RIM,WHEELHOUSE,FRONT, C4RE	
7	0038455		FENDER,RUBBER,C4RE	
8	1738533		RETAINER,RUBBER FENDER,REAR WHEELHOUSE	
9	0041113		HINGE,STNLS,.120 PIN X 2.50 OPEN,32.50	
10	0039762		PANEL,SKIRT,FRT W/H,REAR,LEFT HAND,C4RE	
11	0041115		HINGE,STNLS,.120 PIN X 2.50 OPEN,60.75	
12	0039806		PANEL,SKIRT,61.49,C4RE	
13	0041112		HINGE,STNLS,.120 PIN X 2.50 OPEN,22.50	
14	0039764		PANEL,SKIRT,REAR W/H,FRONT,LEFT HAND,	
15	0047079		RIM,WHEELHOUSE,REAR,C4RE	
16	0041114		HINGE,STNLS,.120 PIN X 2.50 OPEN,54.00	
17	0039766		PANEL,SKIRT,REAR W/H,REAR,LEFT HAND,	
18	0042102		TRIM ASSY,OPENING,RH,SIDE ENG CMPT DR,	
19	0044170		DOOR ASSY,SIDE,ENGINE COMPARTMENT,RH,	
20	0043970		HINGE ASSY,ALUMINUM,SIDE ENG CMPT DOOR,	
21	0041837		TRIM,OPENING,REAR,SIDE ENG CMPT DR,C4RE	
22	0037491		PANEL,OS/S,DRIVERS WINDOW,UPPER, C4RE	
23	0034921		BOW CAP,DOUBLE BOW, C4RE	

Models: C4RE
FRONT, CENTER, & REAR OUTSIDE PANELS
2910 MODEL
WITH FRONT ENTRANCE DOOR ONLY
BSN: From BSN F20055505

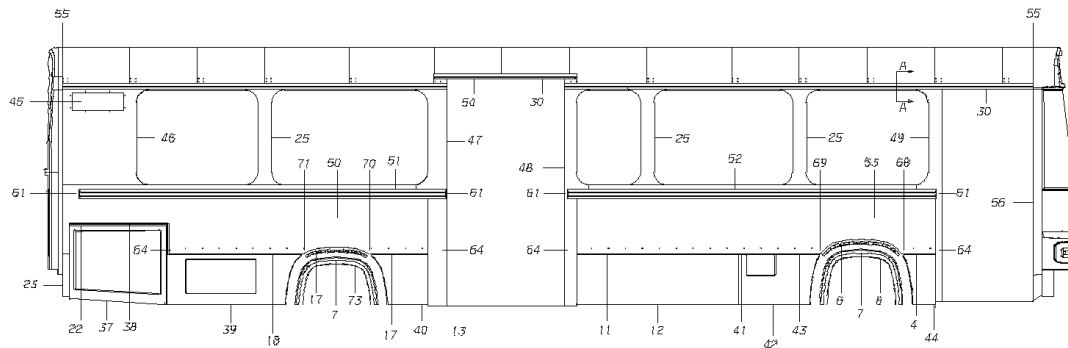
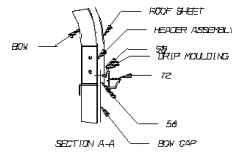
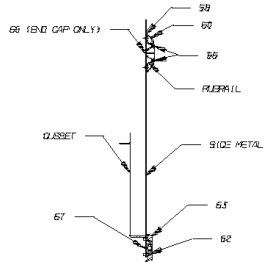
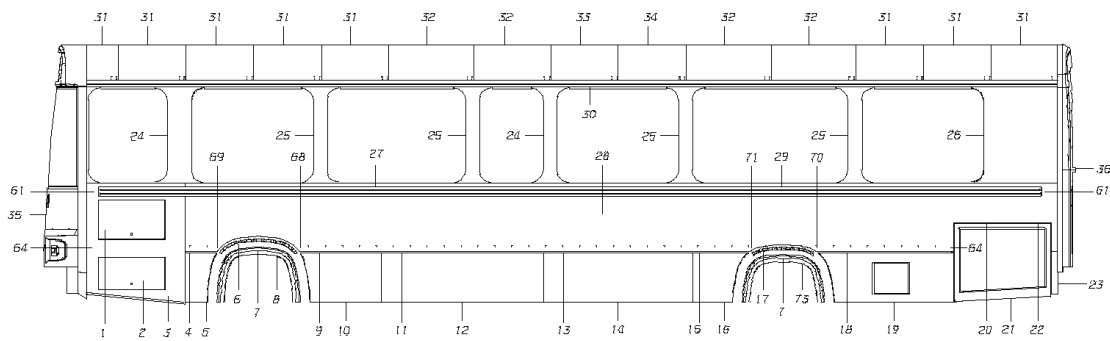
Key	PartNumber	Qty	Description	Comment
24	0038125		PANEL,OUTSIDE,REAR,UPPER,LEFT HAND, C4RE	
25	0054837		RUB RAIL,322.75, C4RE	
26	0054767		PANEL,OS/S,LEFT HAND, 2910C4RE	
27	0038670		EXTRUSION,DRIP MOLDING, C4RE	
28	0054762		PANEL,ROOF,O/S,28.00,81.00 HEADROOM,	
29	0054763		PANEL,ROOF,O/S,35.00,81.00 HEADROOM,	
30	0037996		CAP,FIBERGLASS,FRONT, C4RE	
31	0037997		CAP,FIBERGLASS,REAR, C4RE	
32	0044171		DOOR ASSY,SIDE,ENGINE COMPARTMENT,LH,	
33	0042103		TRIM ASSY,OPENING,LH,SIDE ENG CMPT DR,	
34	0049207		PANEL ASSY,SKIRT,BATTERY COMPARTMENT,	
35	0039763		PANEL,SKIRT,REAR W/H,FRONT,RIGHT HAND,	STANDARD
35	0044883		PANEL ASSY,SKIRT,CNG FILL, C4RE	FEATURE 40245-01. CNG FUEL SYSTEM
36	0041109		HINGE,STNLS,.120 PIN X 2.50 OPEN,2.50, C4RE	
37	0041441		PANEL ASSY,SKIRT,DIESEL FILL,C4RE	STANDARD. DIESEL FILL
37	0041974		PANEL,SKIRT,FRT W/H,REAR,RH,W/O DOOR,	FEATURE 40245-01. CNG FUEL SYSTEM
38	0041111		HINGE,STNLS,.120 PIN X 2.50 OPEN,18.00	
39	0038434		PANEL,SKIRT,FRT W/H,FORWARD,RIGHT HAND	
40	3917572		GRILLE ASSY,AIR INTAKE,89SP,PRIMED,001	
41	0038124		PANEL,OUTSIDE,REAR,UPPER,RIGHT HAND,	
42	0037464		BOW CAP,REAR,ENTRANCE DOOR, C4RE	
43	0054835		RUB RAIL,287.75, C4RE	
44	0040152		EXTRUSION,EDGE,FIBERGLASS CAP, C4RE	

Models: C4RE
FRONT, CENTER, & REAR OUTSIDE PANELS
2910 MODEL
WITH FRONT ENTRANCE DOOR ONLY
BSN: From BSN F20055505

Key	PartNumber	Qty	Description	Comment
45	0042208		TRIM,CORNER POST,FRONT,RIGHT HAND, C4RE	
46	0621953		TAPE,FOAM,1/8X3/4X50FT,CLSD.CELL NEOP.	
47	0862953		SEALANT,SCHNEE-MOREHEAD 5522,VINYL	
48	2002707		SEALANT,BEAD,1/8 IN,NO 5212	
49	1652890		EXTRUSION,RUBRAIL COVER,ALUMINUM,240"	
50	1653872		CAP,END,ALUMINUM RUBRAIL COVER	
51	1863109		EXTRUSION,SI PNL,LWR	
52	1863091		EXTRUSION,TRIM,SI PNL,LWR	
53	1863117		CAP,END,TRIM,SI PNL,LWR	
54	3979325		SCREW,PH,FT,8-32 X 5/8,TYPE C,ZN3	
55	3979317		SCREW,PH,FT,8-32 X 1 5/16,TYPE C,ZN3	
56	0864579		SCREW,10-16 X 3/4,AB,PH1,PAN HD,SST	
57	0044099		END CAP ASSY,SIDE PANEL TRIM,FRONT,RH,	
58	0044100		END CAP ASSY,SIDE PANEL TRIM,FRONT,LH,	
59	0044101		END CAP ASSY,SIDE PANEL TRIM,REAR,RH,	
60	0044102		END CAP ASSY,SIDE PANEL TRIM,REAR,LH,	
61	1962505		SCREW,10-16X1-1/4,AB,PH1,PN/HD,YZND,	

Models: C4RE
FRONT, CENTER, & REAR OUTSIDE PANELS
3505 MODEL
WITH FRONT & CENTER ENTRANCE DOORS
To BSN F20055504

Key	PartNumber	Qty	Description	Comment
-----	------------	-----	-------------	---------



**Models: C4RE
FRONT, CENTER, & REAR OUTSIDE PANELS
3505 MODEL
WITH FRONT & CENTER ENTRANCE DOORS
To BSN F20055504**

Key	PartNumber	Qty	Description	Comment
1	0034684		PANEL ASSY,DOOR,ELECT ACCESS,UPPER, C4RE	
2	0034685		PANEL ASSY,DOOR,ELECT ACCESS,LOWER,	
3	0032100		PANEL,OS/S,DRIVERS WINDOW,LOWER, C4RE	
4	0041110	2	HINGE,STNLS,.120 PIN X 2.50 OPEN,12.50	
5	0038435		PANEL,SKIRT,FRT W/H,FORWARD,LEFT HAND,	
6	0047078	2	RIM,WHEELHOUSE,FRONT, C4RE	
7	0038455	4	FENDER,RUBBER,C4RE	
8	1738533	4	RETAINER,RUBBER FENDER,REAR WHEELHOUSE	<i>ENDING WITH BSN F20050970</i>
8	0053534	2	RETAINER,RUBBER FENDER,FRONT	<i>BEGIN WITH BSN F20050971</i>
9	0041113		HINGE,STNLS,.120 PIN X 2.50 OPEN,32.50	
10	0039762		PANEL,SKIRT,FRT W/H,REAR,LEFT HAND,C4RE	
11	0041116	2	HINGE,STNLS,.120 PIN X 2.50 OPEN,65.25	
12	0039770		PANEL,SKIRT,66.88,C4RE	
13	0041115		HINGE,STNLS,.120 PIN X 2.50 OPEN,60.75	
14	0039806		PANEL,SKIRT,61.49,C4RE	
15	0041112		HINGE,STNLS,.120 PIN X 2.50 OPEN,22.50	
16	0039764		PANEL,SKIRT,REAR W/H,FRONT,LEFT HAND,	
17	0047079	2	RIM,WHEELHOUSE,REAR,C4RE	
18	0041114	2	HINGE,STNLS,.120 PIN X 2.50 OPEN,54.00	
19	0039766		PANEL,SKIRT,REAR W/H,REAR,LEFT HAND,	
20	0042102		TRIM ASSY,OPENING,RH,SIDE ENG CMPT DR,	
21	0044170		DOOR ASSY,SIDE,ENGINE COMPARTMENT,RH,	
22	0043970	2	HINGE ASSY,ALUMINUM,SIDE ENG CMPT DOOR,	

**Models: C4RE
FRONT, CENTER, & REAR OUTSIDE PANELS
3505 MODEL
WITH FRONT & CENTER ENTRANCE DOORS
To BSN F20055504**

Key	PartNumber	Qty	Description	Comment
23	0041837	2	TRIM,OPENING,REAR,SIDE ENG CMPT DR,C4RE	
24	0037491		PANEL,OS/S,DRIVERS WINDOW,UPPER, C4RE	
25	0034921	6	BOW CAP,DOUBLE BOW, C4RE	
26	0038125		PANEL,OUTSIDE,REAR,UPPER,LEFT HAND, C4RE	
27	0041443		RUB RAIL,EXTENSION,183.24, C4RE	
28	0037500		PANEL,OS/S,LEFT HAND, 3505C4RE	
29	0051169		RUB RAIL,207.75,LH, C4RE	
30	0038670	3	EXTRUSION,DRIP MOLDING, C4RE	
31	0034023	8	PANEL,ROOF,O/S,28.00,81.00 HEADROOM,	
32	0034024		PANEL,ROOF,O/S,35.00,81.00 HEADROOM,	
33	0038596		PANEL,ROOF,OUTSIDE,28.00,FRONT,EXIT DR	
34	0038597		PANEL,ROOF,OUTSIDE,28.00,REAR,EXIT DR,	
35	0037996		CAP,FIBERGLASS,FRONT, C4RE	
36	0037997		CAP,FIBERGLASS,REAR, C4RE	
37	0044171		DOOR ASSY,SIDE,ENGINE COMPARTMENT,LH,	
38	0042103		TRIM ASSY,OPENING,LH,SIDE ENG CMPT DR,	
39	0049207		PANEL ASSY,SKIRT,BATTERY COMPARTMENT,	
	0039765		PANEL,SKIRT,REAR W/H,REAR,RIGHT HAND,	Part of item 39
	0039776		DOOR,BATTERY COMPARTMENT,C4RE	Part of item 39
	0041143		HINGE,STNLS,.120 PIN X 1.50 OPEN,27.50	Part of item 39
	0542019		RIVET,LONG CHERRY,7355-100-6-8	Part of item 39
40	0039763		PANEL,SKIRT,REAR W/H,FRONT,RIGHT HAND,	STANDARD
40	0044883		PANEL ASSY,SKIRT,CNG FILL, C4RE	FEATURE 40245-01. CNG

Models: C4RE
FRONT, CENTER, & REAR OUTSIDE PANELS
3505 MODEL
WITH FRONT & CENTER ENTRANCE DOORS
To BSN F20055504

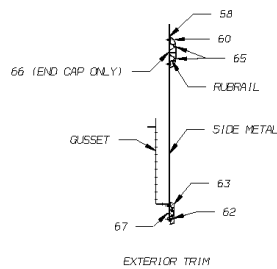
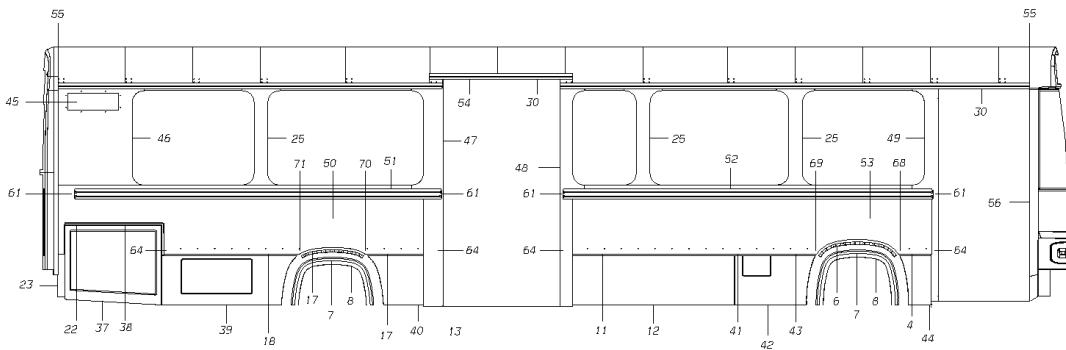
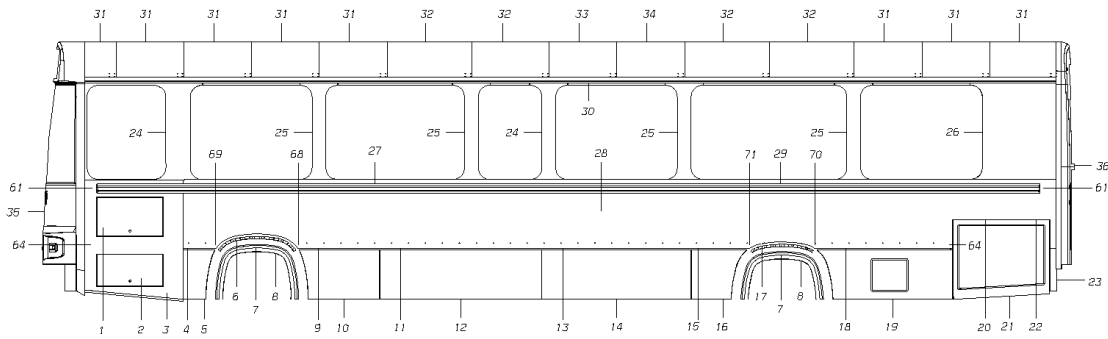
Key	PartNumber	Qty	Description	Comment
41	0041109		HINGE,STNLS,.120 PIN X 2.50 OPEN,2.50, C4RE	
42	0041441		PANEL ASSY,SKIRT,DIESEL FILL,C4RE	STANDARD
42	0041974		PANEL,SKIRT,FRT W/H,REAR,RH,W/O DOOR,	FEATURE 40245-01. CNG
43	0041111		HINGE,STNLS,.120 PIN X 2.50 OPEN,18.00	
44	0038434		PANEL,SKIRT,FRT W/H,FORWARD,RIGHT HAND	
45	3917572		GRILLE ASSY,AIR INTAKE,89SP,PRIMED,001	
46	0038124		PANEL,OUTSIDE,REAR,UPPER,RIGHT HAND,	
47	0038950		BOW CAP,REAR,CENTER DOOR, C4RE	
48	0038951		BOW CAP,FRONT,REAR DOOR, C4RE	
49	0037464		BOW CAP,REAR,ENTRANCE DOOR, C4RE	
50	0037498		PANEL,OS/S,REAR,RIGHT HAND, C4RE	
51	0041429		RUB RAIL,151.75,C4RE	
52	0041430		RUB RAIL,153.00, C4RE	
53	0037496		PANEL,OS/S,FRONT,RIGHT HAND, 3505 C4RE	
54	0044695		TRIM,EXTERIOR,UPPER,EXIT DOOR, C4RE	
55	0040152	5	EXTRUSION,EDGE,FIBERGLASS CAP, C4RE	
56	0042208		TRIM,CORNER POST,FRONT,RIGHT HAND, C4RE	
NI	0621953		TAPE,FOAM,1/8X3/4X50FT,CLSD.CELL NEOP.	
58	0862953		SEALANT,SCHNEE-MOREHEAD 5522,VINYL	
NI	2002707		SEALANT,BEAD,1/8 IN,NO 5212	
60	1652890	4	EXTRUSION,RUBRAIL COVER,ALUMINUM,240"	
61	1653872	6	CAP,END,ALUMINUM RUBRAIL COVER	
62	1863109	4	EXTRUSION,SI PNL,LWR	

**Models: C4RE
FRONT, CENTER, & REAR OUTSIDE PANELS
3505 MODEL
WITH FRONT & CENTER ENTRANCE DOORS
To BSN F20055504**

Key	PartNumber	Qty	Description	Comment
63	1863091		EXTRUSION,TRIM,SI PNL,LWR	
64	1863117	6	CAP,END,TRIM,SI PNL,LWR	
65	3979325	48	SCREW,PH,FT,8-32 X 5/8,TYPE C,ZN3	
66	3979317	6	SCREW,PH,FT,8-32 X 1 5/16,TYPE C,ZN3	
67	0864579	52	SCREW,10-16 X 3/4,AB,PH1,PAN HD,SST	
68	0044099	2	END CAP ASSY,SIDE PANEL TRIM,FRONT,RH,	
69	0044100	2	END CAP ASSY,SIDE PANEL TRIM,FRONT,LH,	
70	0044101	2	END CAP ASSY,SIDE PANEL TRIM,REAR,RH,	
71	0044102	2	END CAP ASSY,SIDE PANEL TRIM,REAR,LH,	
72	1962505	52	SCREW,10-16X1-1/4,AB,PH1,PN/HD,YZND,	
73	0053535	2	RETAINER,RUBBER FENDER,REAR WHEELHOUSE	

Models: C4RE
FRONT, CENTER, & REAR OUTSIDE PANELS
3505 MODEL
WITH FRONT & CENTER ENTRANCE DOORS
BSN: From BSN F20055505

Key	PartNumber	Qty	Description	Comment
-----	------------	-----	-------------	---------



Models: C4RE
FRONT, CENTER, & REAR OUTSIDE PANELS
3505 MODEL
WITH FRONT & CENTER ENTRANCE DOORS
BSN: From BSN F20055505

Key	PartNumber	Qty	Description	Comment
1	0034684		PANEL ASSY,DOOR,ELECT ACCESS,UPPER, C4RE	
2	0034685		PANEL ASSY,DOOR,ELECT ACCESS,LOWER,	
3	0032100		PANEL,OS/S,DRIVERS WINDOW,LOWER, C4RE	
4	0041110	2	HINGE,STNLS,.120 PIN X 2.50 OPEN,12.50	
5	0038435		PANEL,SKIRT,FRT W/H,FORWARD,LEFT HAND,	
6	0047078	2	RIM,WHEELHOUSE,FRONT, C4RE	
7	0038455	4	FENDER,RUBBER,C4RE	
8	1738533	4	RETAINER,RUBBER FENDER,REAR WHEELHOUSE	
9	0041113		HINGE,STNLS,.120 PIN X 2.50 OPEN,32.50	
10	0039762		PANEL,SKIRT,FRT W/H,REAR,LEFT HAND,C4RE	
11	0041116	2	HINGE,STNLS,.120 PIN X 2.50 OPEN,65.25	
12	0039770		PANEL,SKIRT,66.88,C4RE	
13	0041115		HINGE,STNLS,.120 PIN X 2.50 OPEN,60.75	
14	0039806		PANEL,SKIRT,61.49,C4RE	
15	0041112		HINGE,STNLS,.120 PIN X 2.50 OPEN,22.50	
16	0039764		PANEL,SKIRT,REAR W/H,FRONT,LEFT HAND,	
17	0047079	2	RIM,WHEELHOUSE,REAR,C4RE	
18	0041114	2	HINGE,STNLS,.120 PIN X 2.50 OPEN,54.00	
19	0039766		PANEL,SKIRT,REAR W/H,REAR,LEFT HAND,	
20	0042102		TRIM ASSY,OPENING,RH,SIDE ENG CMPT DR,	
21	0044170		DOOR ASSY,SIDE,ENGINE COMPARTMENT,RH,	
22	0043970	2	HINGE ASSY,ALUMINUM,SIDE ENG CMPT DOOR,	
23	0041837	2	TRIM,OPENING,REAR,SIDE ENG CMPT DR,C4RE	

Models: C4RE
FRONT, CENTER, & REAR OUTSIDE PANELS
3505 MODEL
WITH FRONT & CENTER ENTRANCE DOORS
BSN: From BSN F20055505

Key	PartNumber	Qty	Description	Comment
24	0037491		PANEL,OS/S,DRIVERS WINDOW,UPPER, C4RE	
25	0034921	6	BOW CAP,DOUBLE BOW, C4RE	
26	0038125		PANEL,OUTSIDE,REAR,UPPER,LEFT HAND, C4RE	
27	0054857		RUB RAIL,EXTENSION, 183,24	
28	0054769		PANEL,OS/S,LEFT HAND, 3505C4RE	
29	0054846		RUB RAIL,207.75,LH, C4RE	
30	0038670	4	EXTRUSION,DRIP MOLDING, C4RE	
31	0054762	8	PANEL,ROOF,O/S,28.00,81.00 HEADROOM,	
32	0054763	4	PANEL,ROOF,O/S,35.00,81.00 HEADROOM,	
33	0054764		PANEL,ROOF,OUTSIDE,28.00,FRONT,EXIT DR	
34	0054765		PANEL,ROOF,OUTSIDE,28.00,REAR,EXIT DR,	
35	0037996		CAP,FIBERGLASS,FRONT, C4RE	
36	0037997		CAP,FIBERGLASS,REAR, C4RE	
37	0044171		DOOR ASSY,SIDE,ENGINE COMPARTMENT,LH,	
38	0042103		TRIM ASSY,OPENING,LH,SIDE ENG CMPT DR,	
39	0049207		PANEL ASSY,SKIRT,BATTERY COMPARTMENT,	
40	0039763		PANEL,SKIRT,REAR W/H,FRONT,RIGHT HAND,	
41	0041109		HINGE,STNLS,.120 PIN X 2.50 OPEN,2.50, C4RE	
42	0041441		PANEL ASSY,SKIRT,DIESEL FILL,C4RE	
43	0041111		HINGE,STNLS,.120 PIN X 2.50 OPEN,18.00	
44	0038434		PANEL,SKIRT,FRT W/H,FORWARD,RIGHT HAND	
45	3917572		GRILLE ASSY,AIR INTAKE,89SP,PRIMED,001	
46	0038124		PANEL,OUTSIDE,REAR,UPPER,RIGHT HAND,	

Models: C4RE
FRONT, CENTER, & REAR OUTSIDE PANELS
3505 MODEL
WITH FRONT & CENTER ENTRANCE DOORS
BSN: From BSN F20055505

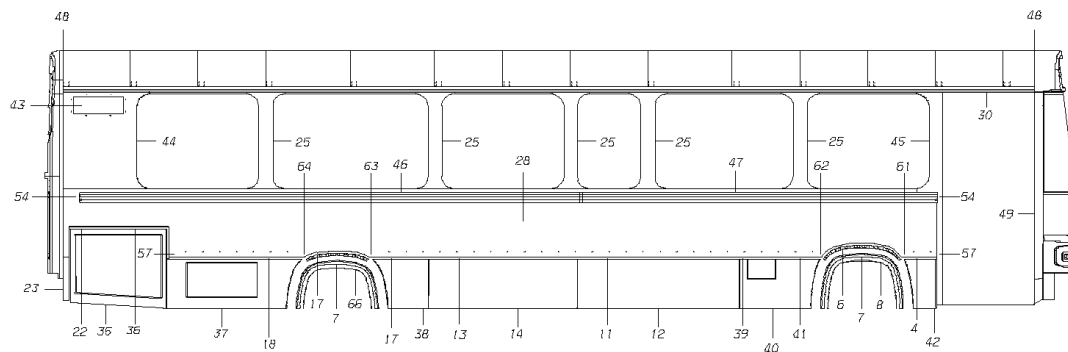
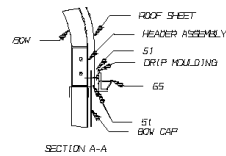
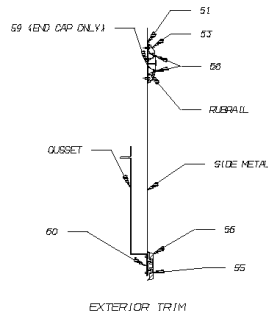
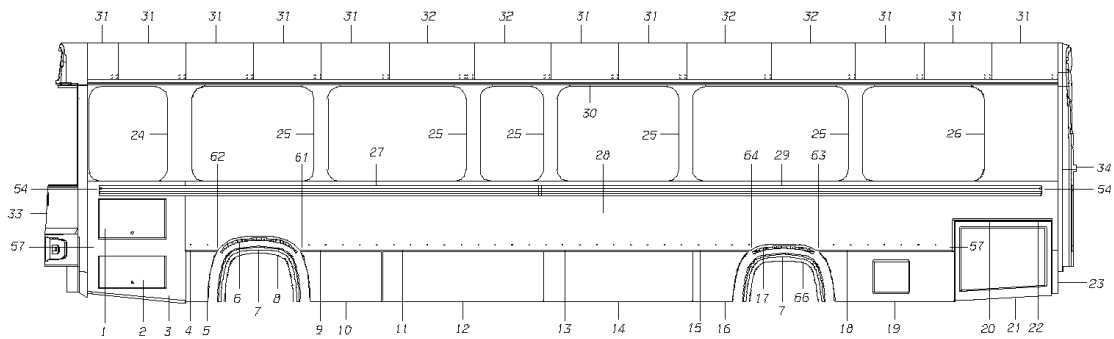
Key	PartNumber	Qty	Description	Comment
47	0038950		BOW CAP,REAR,CENTER DOOR, C4RE	
48	0038951		BOW CAP,FRONT,REAR DOOR, C4RE	
49	0037464		BOW CAP,REAR,ENTRANCE DOOR, C4RE	
50	0054762		PANEL,ROOF,O/S,28.00,81.00 HEADROOM,	
51	0054830		RUB RAIL,151.75, C4RE	
52	0054844		RUB RAIL,153.00, C4RE	
53	0054868		REINFORCEMENT,TIE DOWN,FRT,FLOOR,FRONT	
54	0044695		TRIM,EXTERIOR,UPPER,EXIT DOOR, C4RE	
55	0040152	5	EXTRUSION,EDGE,FIBERGLASS CAP, C4RE	
56	0042208		TRIM,CORNER POST,FRONT,RIGHT HAND, C4RE	
57	0621953	50	TAPE,FOAM,1/8X3/4X50FT,CLSD.CELL NEOP.	
58	0862953	1.5	SEALANT,SCHNEE-MOREHEAD 5522,VINYL	
59	2002707	11	SEALANT,BEAD,1/8 IN,NO 5212	
60	1652890	4	EXTRUSION,RUBRAIL COVER,ALUMINUM,240"	
61	1653872	6	CAP,END,ALUMINUM RUBRAIL COVER	
62	1863109	4	EXTRUSION,SI PNL,LWR	
63	1863091	.7	EXTRUSION,TRIM,SI PNL,LWR	
64	1863117	6	CAP,END,TRIM,SI PNL,LWR	
65	3979325	48	SCREW,PH,FT,8-32 X 5/8,TYPE C,ZN3	
66	3979317	6	SCREW,PH,FT,8-32 X 1 5/16,TYPE C,ZN3	
67	0864579	52	SCREW,10-16 X 3/4,AB,PH1,PAN HD,SST	
68	0044099	2	END CAP ASSY,SIDE PANEL TRIM,FRONT,RH,	
69	0044100	2	END CAP ASSY,SIDE PANEL TRIM,FRONT,LH,	

Models: C4RE
FRONT, CENTER, & REAR OUTSIDE PANELS
3505 MODEL
WITH FRONT & CENTER ENTRANCE DOORS
BSN: From BSN F20055505

Key	PartNumber	Qty	Description	Comment
70	0044101	2	END CAP ASSY,SIDE PANEL TRIM,REAR,RH,	
71	0044102	2	END CAP ASSY,SIDE PANEL TRIM,REAR,LH,	
72	1962505	2	SCREW,10-16X1-1/4,AB,PH1,PN/HD,YZND,	

Models: C4RE
FRONT, CENTER, & REAR OUTSIDE PANELS
3505 MODEL
WITH FRONT ENTRANCE DOOR ONLY
To BSN F20055504

Key	PartNumber	Qty	Description	Comment
-----	------------	-----	-------------	---------



**Models: C4RE
FRONT, CENTER, & REAR OUTSIDE PANELS
3505 MODEL
WITH FRONT ENTRANCE DOOR ONLY
To BSN F20055504**

Key	PartNumber	Qty	Description	Comment
1	0034684		PANEL ASSY,DOOR,ELECT ACCESS,UPPER, C4RE	
2	0034685		PANEL ASSY,DOOR,ELECT ACCESS,LOWER,	
3	0032100		PANEL,OS/S,DRIVERS WINDOW,LOWER, C4RE	
4	0041110	2	HINGE,STNLS,.120 PIN X 2.50 OPEN,12.50	
5	0038435		PANEL,SKIRT,FRT W/H,FORWARD,LEFT HAND,	
6	0047078	2	RIM,WHEELHOUSE,FRONT, C4RE	
7	0038455	4	FENDER,RUBBER,C4RE	
8	1738533	4	RETAINER,RUBBER FENDER,REAR WHEELHOUSE	<i>ENDING WITH BSN F20050970</i>
8	0053534	2	RETAINER,RUBBER FENDER,FRONT	<i>BEGIN WITH BSN F20050971</i>
9	0041113		HINGE,STNLS,.120 PIN X 2.50 OPEN,32.50	
10	0039762		PANEL,SKIRT,FRT W/H,REAR,LEFT HAND,C4RE	
11	0041116		HINGE,STNLS,.120 PIN X 2.50 OPEN,65.25	
12	0039770		PANEL,SKIRT,66.88,C4RE	
13	0041115	2	HINGE,STNLS,.120 PIN X 2.50 OPEN,60.75	
14	0039806	2	PANEL,SKIRT,61.49,C4RE	
15	0041112	2	HINGE,STNLS,.120 PIN X 2.50 OPEN,22.50	
16	0039764		PANEL,SKIRT,REAR W/H,FRONT,LEFT HAND,	
17	0047079	2	RIM,WHEELHOUSE,REAR,C4RE	
18	0041114	2	HINGE,STNLS,.120 PIN X 2.50 OPEN,54.00	
19	0039766		PANEL,SKIRT,REAR W/H,REAR,LEFT HAND,	
20	0042102		TRIM ASSY,OPENING,RH,SIDE ENG CMPT DR,	
21	0044170		DOOR ASSY,SIDE,ENGINE COMPARTMENT,RH,	
22	0043970	2	HINGE ASSY,ALUMINUM,SIDE ENG CMPT DOOR,	

Models: C4RE
FRONT, CENTER, & REAR OUTSIDE PANELS
3505 MODEL
WITH FRONT ENTRANCE DOOR ONLY
To BSN F20055504

Key	PartNumber	Qty	Description	Comment
23	0041837	2	TRIM,OPENING,REAR,SIDE ENG CMPT DR,C4RE	
24	0037491		PANEL,OS/S,DRIVERS WINDOW,UPPER, C4RE	
25	0034921	8	BOW CAP,DOUBLE BOW, C4RE	
26	0038125		PANEL,OUTSIDE,REAR,UPPER,LEFT HAND, C4RE	
27	0041443		RUB RAIL,EXTENSION,183.24, C4RE	
28	0037500		PANEL,OS/S,LEFT HAND, 3505C4RE	
29	0051169		RUB RAIL,207.75,LH, C4RE	
30	0038670	4	EXTRUSION,DRIP MOLDING, C4RE	
31	0034023	10	PANEL,ROOF,O/S,28.00,81.00 HEADROOM,	
32	0034024	2	PANEL,ROOF,O/S,35.00,81.00 HEADROOM,	
33	0037996		CAP,FIBERGLASS,FRONT, C4RE	
34	0037997		CAP,FIBERGLASS,REAR, C4RE	
35	0044171		DOOR ASSY,SIDE,ENGINE COMPARTMENT,LH,	
36	0042103		TRIM ASSY,OPENING,LH,SIDE ENG CMPT DR,	
37	0049207		PANEL ASSY,SKIRT,BATTERY COMPARTMENT,	
	0039765		PANEL,SKIRT,REAR W/H,REAR,RIGHT HAND,	<i>Part of item 37</i>
	0039776		DOOR,BATTERY COMPARTMENT,C4RE	<i>Part of item 37</i>
	0041143		HINGE,STNLS,.120 PIN X 1.50 OPEN,27.50	<i>Part of item 37</i>
	0542019		RIVET,LONG CHERRY,7355-100-6-8	<i>Part of item 37</i>
38	0039763		PANEL,SKIRT,REAR W/H,FRONT,RIGHT HAND,	<i>STANDARD</i>
38	0044883		PANEL ASSY,SKIRT,CNG FILL, C4RE	<i>FEATURE 40245-01. CNG</i>
39	0041109		HINGE,STNLS,.120 PIN X 2.50 OPEN,2.50, C4RE	
40	0041441		PANEL ASSY,SKIRT,DIESEL FILL,C4RE	<i>STANDARD</i>

**Models: C4RE
FRONT, CENTER, & REAR OUTSIDE PANELS
3505 MODEL
WITH FRONT ENTRANCE DOOR ONLY
To BSN F20055504**

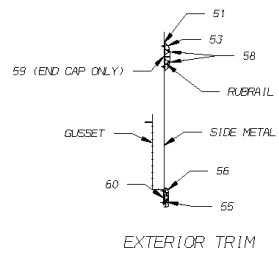
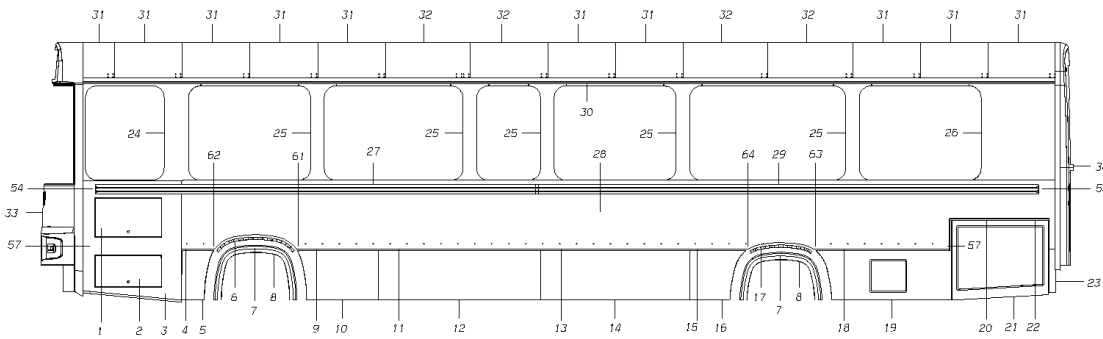
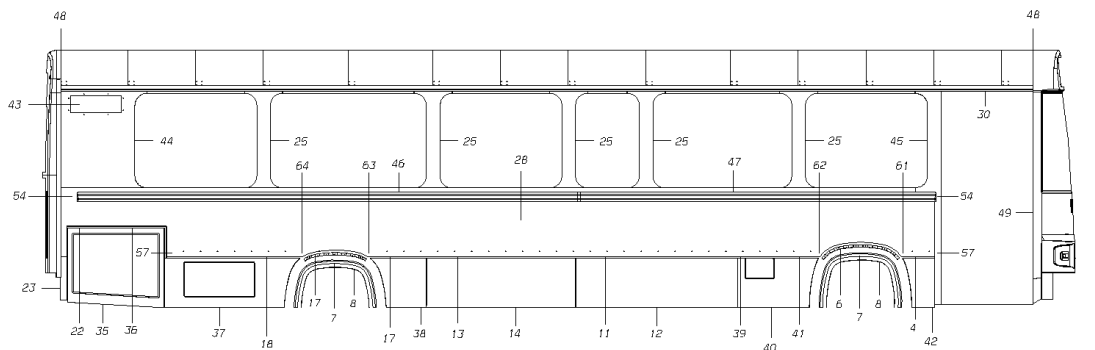
Key	PartNumber	Qty	Description	Comment
40	0041974		PANEL,SKIRT,FRT W/H,REAR,RH,W/O DOOR,	FEATURE 40245-01. CNG
41	0041111		HINGE,STNLS,.120 PIN X 2.50 OPEN,18.00	
42	0038434		PANEL,SKIRT,FRT W/H,FORWARD,RIGHT HAND	
43	3917572		GRILLE ASSY,AIR INTAKE,89SP,PRIMED,001	
44	0038124		PANEL,OUTSIDE,REAR,UPPER,RIGHT HAND,	
45	0037464		BOW CAP,REAR,ENTRANCE DOOR, C4RE	
46	0041432		RUB RAIL,207.75,RH, C4RE	
47	0047565		RUB RAIL,EXTENSION,148.24, C4RE	
48	0040152	5	EXTRUSION,EDGE,FIBERGLASS CAP, C4RE	
49	0042208		TRIM,CORNER POST,FRONT,RIGHT HAND, C4RE	
NI	0621953		TAPE,FOAM,1/8X3/4X50FT,CLSD.CELL NEOP.	
51	0862953		SEALANT,SCHNEE-MOREHEAD 5522,VINYL	
NI	2002707		SEALANT,BEAD,1/8 IN,NO 5212	
53	1652890	4	EXTRUSION,RUBRAIL COVER,ALUMINUM,240"	
54	1653872	4	CAP,END,ALUMINUM RUBRAIL COVER	
55	1863109	4	EXTRUSION,SI PNL,LWR	
56	1863091		EXTRUSION,TRIM,SI PNL,LWR	
57	1863117	4	CAP,END,TRIM,SI PNL,LWR	
58	3979325	48	SCREW,PH,FT,8-32 X 5/8,TYPE C,ZN3	
59	3979317	4	SCREW,PH,FT,8-32 X 1 5/16,TYPE C,ZN3	
60	0864579	52	SCREW,10-16 X 3/4,AB,PH1,PAN HD,SST	
61	0044099	2	END CAP ASSY,SIDE PANEL TRIM,FRONT,RH,	
62	0044100	2	END CAP ASSY,SIDE PANEL TRIM,FRONT,LH,	

**Models: C4RE
FRONT, CENTER, & REAR OUTSIDE PANELS
3505 MODEL
WITH FRONT ENTRANCE DOOR ONLY
To BSN F20055504**

Key	PartNumber	Qty	Description	Comment
63	0044101	2	END CAP ASSY,SIDE PANEL TRIM,REAR,RH,	
64	0044102	2	END CAP ASSY,SIDE PANEL TRIM,REAR,LH,	
65	1962505	52	SCREW,10-16X1-1/4,AB,PH1,PN/HD,YZND,	
66	0053535	2	RETAINER,RUBBER FENDER,REAR WHEELHOUSE	

Models: C4RE
FRONT, CENTER, & REAR OUTSIDE PANELS
3505 MODEL
WITH FRONT ENTRANCE DOOR ONLY
BSN: From BSN F2005505

Key	PartNumber	Qty	Description	Comment
-----	------------	-----	-------------	---------



Models: C4RE
FRONT, CENTER, & REAR OUTSIDE PANELS
3505 MODEL
WITH FRONT ENTRANCE DOOR ONLY
BSN: From BSN F20055505

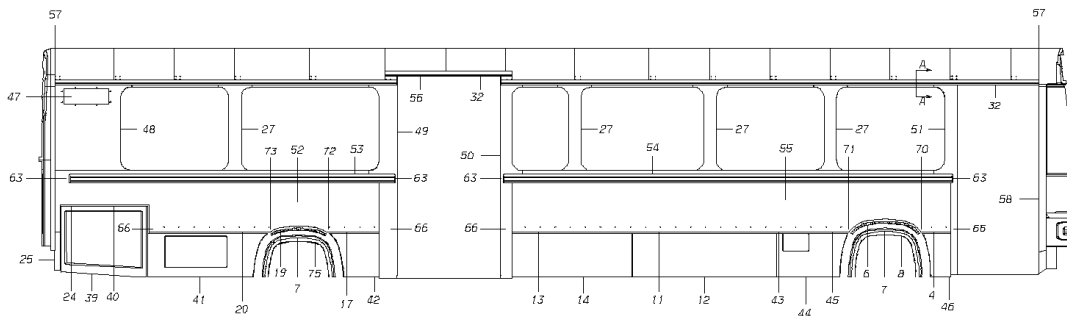
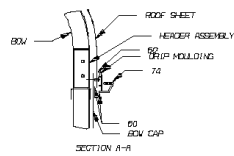
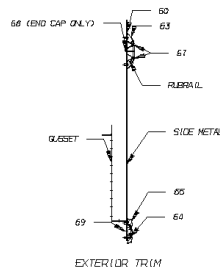
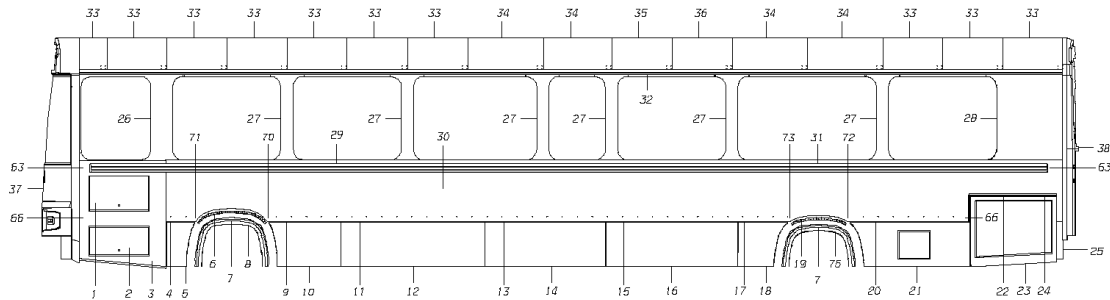
Key	PartNumber	Qty	Description	Comment
1	0034684		PANEL ASSY,DOOR,ELECT ACCESS,UPPER, C4RE	
2	0034685		PANEL ASSY,DOOR,ELECT ACCESS,LOWER,	
3	0032100		PANEL,OS/S,DRIVERS WINDOW,LOWER, C4RE	
4	0041110	2	HINGE,STNLS,.120 PIN X 2.50 OPEN,12.50	
5	0038435		PANEL,SKIRT,FRT W/H,FORWARD,LEFT HAND,	
6	0047078	2	RIM,WHEELHOUSE,FRONT, C4RE	
7	0038455	4	FENDER,RUBBER,C4RE	
8	1738533	4	RETAINER,RUBBER FENDER,REAR WHEELHOUSE	
9	0041113		HINGE,STNLS,.120 PIN X 2.50 OPEN,32.50	
10	0039762		PANEL,SKIRT,FRT W/H,REAR,LEFT HAND,C4RE	
11	0041116		HINGE,STNLS,.120 PIN X 2.50 OPEN,65.25	
12	0039770		PANEL,SKIRT,66.88,C4RE	
13	0041115	2	HINGE,STNLS,.120 PIN X 2.50 OPEN,60.75	
14	0039806	2	PANEL,SKIRT,61.49,C4RE	
15	0041112	2	HINGE,STNLS,.120 PIN X 2.50 OPEN,22.50	
16	0039764		PANEL,SKIRT,REAR W/H,FRONT,LEFT HAND,	
17	0047079	2	RIM,WHEELHOUSE,REAR,C4RE	
18	0041114	2	HINGE,STNLS,.120 PIN X 2.50 OPEN,54.00	
19	0039766		PANEL,SKIRT,REAR W/H,REAR,LEFT HAND,	
20	0042102		TRIM ASSY,OPENING,RH,SIDE ENG CMPT DR,	
21	0044170		DOOR ASSY,SIDE,ENGINE COMPARTMENT,RH,	
22	0043970	2	HINGE ASSY,ALUMINUM,SIDE ENG CMPT DOOR,	
23	0041837	2	TRIM,OPENING,REAR,SIDE ENG CMPT DR,C4RE	

Models: C4RE
FRONT, CENTER, & REAR OUTSIDE PANELS
3505 MODEL
WITH FRONT ENTRANCE DOOR ONLY
BSN: From BSN F20055505

Key	PartNumber	Qty	Description	Comment
24	0037491		PANEL,OS/S,DRIVERS WINDOW,UPPER, C4RE	
25	0034921	8	BOW CAP,DOUBLE BOW, C4RE	
26	0038125		PANEL,OUTSIDE,REAR,UPPER,LEFT HAND, C4RE	
27	0054857		RUB RAIL,EXTENSION, 183,24	
28	0054769		PANEL,OS/S,LEFT HAND, 3505C4RE	
29	0054846		RUB RAIL,207.75,LH, C4RE	
30	0038670	4	EXTRUSION,DRIP MOLDING, C4RE	
31	0054762	10	PANEL,ROOF,O/S,28.00,81.00 HEADROOM,	
32	0054763	4	PANEL,ROOF,O/S,35.00,81.00 HEADROOM,	
33	0037996		CAP,FIBERGLASS,FRONT, C4RE	
34	0037997		CAP,FIBERGLASS,REAR, C4RE	
35	0044171		DOOR ASSY,SIDE,ENGINE COMPARTMENT,LH,	
36	0042103		TRIM ASSY,OPENING,LH,SIDE ENG CMPT DR,	
37	0049207		PANEL ASSY,SKIRT,BATTERY COMPARTMENT,	
38	0039763		PANEL,SKIRT,REAR W/H,FRONT,RIGHT HAND,	
39	0041109		HINGE,STNLS,.120 PIN X 2.50 OPEN,2.50, C4RE	
40	0041441		PANEL ASSY,SKIRT,DIESEL FILL,C4RE	
41	0041111		HINGE,STNLS,.120 PIN X 2.50 OPEN,18.00	
42	0038434		PANEL,SKIRT,FRT W/H,FORWARD,RIGHT HAND	
43	3917572		GRILLE ASSY,AIR INTAKE,89SP,PRIMED,001	
44	0038124		PANEL,OUTSIDE,REAR,UPPER,RIGHT HAND,	
45	0037464		BOW CAP,REAR,ENTRANCE DOOR, C4RE	

**Models: C4RE
FRONT, CENTER, & REAR OUTSIDE PANELS
4000 MODEL
WITH FRONT & CENTER ENTRANCE DOOR
To BSN F20055504**

Key	PartNumber	Qty	Description	Comment
-----	------------	-----	-------------	---------



Models: C4RE
FRONT, CENTER, & REAR OUTSIDE PANELS
4000 MODEL
WITH FRONT & CENTER ENTRANCE DOOR
To BSN F20055504

Key	PartNumber	Qty	Description	Comment
1	0034684		PANEL ASSY,DOOR,ELECT ACCESS,UPPER, C4RE	
2	0034685		PANEL ASSY,DOOR,ELECT ACCESS,LOWER,	
3	0032100		PANEL,OS/S,DRIVERS WINDOW,LOWER, C4RE	
4	0041110	2	HINGE,STNLS,.120 PIN X 2.50 OPEN,12.50	
5	0038435		PANEL,SKIRT,FRT W/H,FORWARD,LEFT HAND,	
6	0047078	2	RIM,WHEELHOUSE,FRONT, C4RE	
7	0038455	4	FENDER,RUBBER,C4RE	
8	1738533	4	RETAINER,RUBBER FENDER,REAR WHEELHOUSE	<i>ENDING WITH BSN F20050970</i>
8	0053534	2	RETAINER,RUBBER FENDER,FRONT	<i>BEGIN WITH BSN F20050971</i>
9	0041113		HINGE,STNLS,.120 PIN X 2.50 OPEN,32.50	
10	0039762		PANEL,SKIRT,FRT W/H,REAR,LEFT HAND,C4RE	
11	0041116	2	HINGE,STNLS,.120 PIN X 2.50 OPEN,65.25	
12	0039770		PANEL,SKIRT,66.88,C4RE	
13	0041114	2	HINGE,STNLS,.120 PIN X 2.50 OPEN,54.00	
14	0039769	2	PANEL,SKIRT,55.88, C4RE	
15	0041115		HINGE,STNLS,.120 PIN X 2.50 OPEN,60.75	
16	0039806		PANEL,SKIRT,61.49,C4RE	
17	0041112		HINGE,STNLS,.120 PIN X 2.50 OPEN,22.50	
18	0039764		PANEL,SKIRT,REAR W/H,FRONT,LEFT HAND,	
19	0047079	2	RIM,WHEELHOUSE,REAR,C4RE	
20	0041114	2	HINGE,STNLS,.120 PIN X 2.50 OPEN,54.00	
21	0039766		PANEL,SKIRT,REAR W/H,REAR,LEFT HAND,	
22	0042102		TRIM ASSY,OPENING,RH,SIDE ENG CMPT DR,	

Models: C4RE
FRONT, CENTER, & REAR OUTSIDE PANELS
4000 MODEL
WITH FRONT & CENTER ENTRANCE DOOR
To BSN F20055504

Key	PartNumber	Qty	Description	Comment
23	0044170		DOOR ASSY,SIDE,ENGINE COMPARTMENT,RH,	
24	0043970	2	HINGE ASSY,ALUMINUM,SIDE ENG CMPT DOOR,	
25	0041837	2	TRIM,OPENING,REAR,SIDE ENG CMPT DR,C4RE	
26	0037491		PANEL,OS/S,DRIVERS WINDOW,UPPER, C4RE	
27	0034921	6	BOW CAP,DOUBLE BOW, C4RE	
28	0038125		PANEL,OUTSIDE,REAR,UPPER,LEFT HAND, C4RE	
29	0041444		RUB RAIL,EXTENSION,239.24, C4RE	
30	0037501		PANEL,OS/S,LEFT HAND, 4000 C4RE	
31	0051169		RUB RAIL,207.75,LH, C4RE	
32	0038670	3	EXTRUSION,DRIP MOLDING, C4RE	
33	0034023	8	PANEL,ROOF,O/S,28.00,81.00 HEADROOM,	
34	0034024	4	PANEL,ROOF,O/S,35.00,81.00 HEADROOM,	
35	0038596		PANEL,ROOF,OUTSIDE,28.00,FRONT,EXIT DR	
36	0038597		PANEL,ROOF,OUTSIDE,28.00,REAR,EXIT DR,	
37	0037996		CAP,FIBERGLASS,FRONT, C4RE	
38	0037997		CAP,FIBERGLASS,REAR, C4RE	
39	0044171		DOOR ASSY,SIDE,ENGINE COMPARTMENT,LH,	
40	0042103		TRIM ASSY,OPENING,LH,SIDE ENG CMPT DR,	
41	0049207		PANEL ASSY,SKIRT,BATTERY COMPARTMENT,	
	0039765		PANEL,SKIRT,REAR W/H,REAR,RIGHT HAND,	<i>Part of item 41</i>
	0039776		DOOR,BATTERY COMPARTMENT,C4RE	<i>Part of item 41</i>
	0041143		HINGE,STNLS,.120 PIN X 1.50 OPEN,27.50	<i>Part of item 41</i>
	0542019		RIVET,LONG CHERRY,7355-100-6-8	<i>Part of item 41</i>

Models: C4RE
FRONT, CENTER, & REAR OUTSIDE PANELS
4000 MODEL
WITH FRONT & CENTER ENTRANCE DOOR
To BSN F20055504

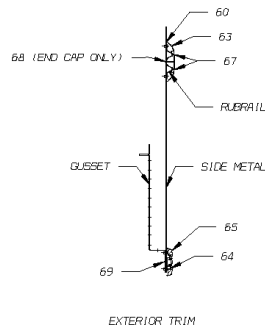
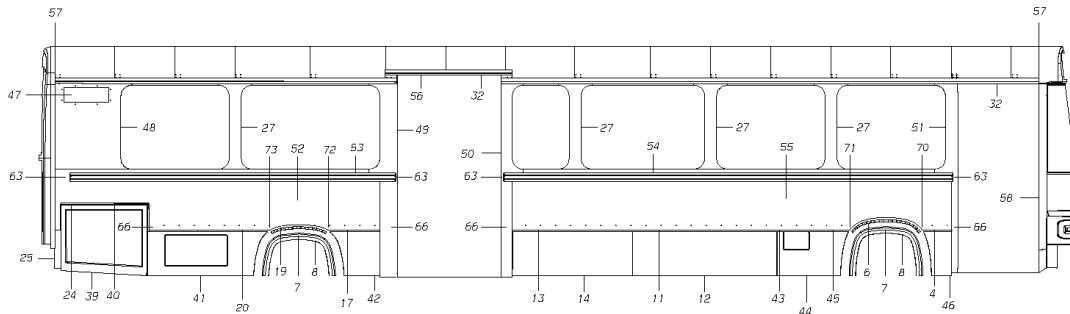
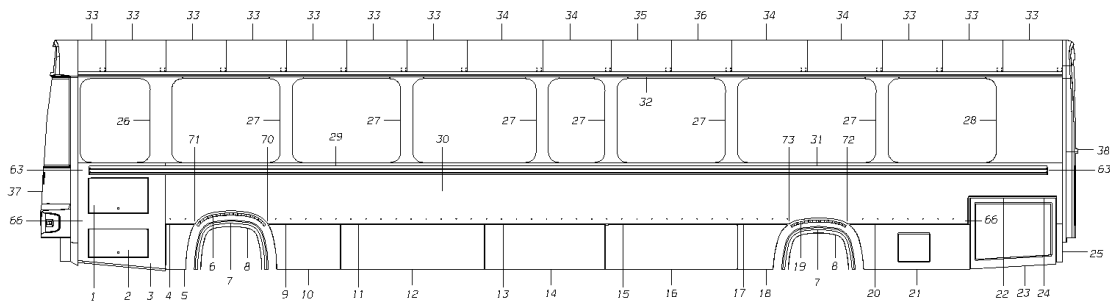
Key	PartNumber	Qty	Description	Comment
42	0039763		PANEL,SKIRT,REAR W/H,FRONT,RIGHT HAND,	STANDARD
42	0044883		PANEL ASSY,SKIRT,CNG FILL, C4RE	FEATURE 40245-01. CNG
43	0041109		HINGE,STNLS,.120 PIN X 2.50 OPEN,2.50, C4RE	
44	0041441		PANEL ASSY,SKIRT,DIESEL FILL,C4RE	STANDARD
44	0041974		PANEL,SKIRT,FRT W/H,REAR,RH,W/O DOOR,	FEATURE 40245-01. CNG
45	0041111		HINGE,STNLS,.120 PIN X 2.50 OPEN,18.00	
46	0038434		PANEL,SKIRT,FRT W/H,FORWARD,RIGHT HAND	
47	3917572		GRILLE ASSY,AIR INTAKE,89SP,PRIMED,001	
48	0038124		PANEL,OUTSIDE,REAR,UPPER,RIGHT HAND,	
49	0038950		BOW CAP,REAR,CENTER DOOR, C4RE	
50	0038951		BOW CAP,FRONT,REAR DOOR, C4RE	
51	0037464		BOW CAP,REAR,ENTRANCE DOOR, C4RE	
52	0037498		PANEL,OS/S,REAR,RIGHT HAND, C4RE	
53	0041429		RUB RAIL,151.75,C4RE	
54	0041433		RUB RAIL,209.00, C4RE	
55	0037497		PANEL,OS/S,FRONT,RIGHT HAND, 4000 C4RE	
56	0044695		TRIM,EXTERIOR,UPPER,EXIT DOOR, C4RE	
57	0040152	5	EXTRUSION,EDGE,FIBERGLASS CAP, C4RE	
58	0042208		TRIM,CORNER POST,FRONT,RIGHT HAND, C4RE	
NI	0621953		TAPE,FOAM,1/8X3/4X50FT,CLSD.CELL NEOP.	
60	0862953		SEALANT,SCHNEE-MOREHEAD 5522,VINYL	
NI	2002707		SEALANT,BEAD,1/8 IN,NO 5212	
62	1652890		EXTRUSION,RUBRAIL COVER,ALUMINUM,240"	

**Models: C4RE
FRONT, CENTER, & REAR OUTSIDE PANELS
4000 MODEL
WITH FRONT & CENTER ENTRANCE DOOR
To BSN F20055504**

Key	PartNumber	Qty	Description	Comment
63	1653872	6	CAP,END,ALUMINUM RUBRAIL COVER	
64	1863109	4	EXTRUSION,SI PNL,LWR	
65	1863091		EXTRUSION,TRIM,SI PNL,LWR	
66	1863117	6	CAP,END,TRIM,SI PNL,LWR	
67	3979325	52	SCREW,PH,FT,8-32 X 5/8,TYPE C,ZN3	
68	3979317	6	SCREW,PH,FT,8-32 X 1 5/16,TYPE C,ZN3	
69	0864579	60	SCREW,10-16 X 3/4,AB,PH1,PAN HD,SST	
70	0044099	2	END CAP ASSY,SIDE PANEL TRIM,FRONT,RH,	
71	0044100	2	END CAP ASSY,SIDE PANEL TRIM,FRONT,LH,	
72	0044101	2	END CAP ASSY,SIDE PANEL TRIM,REAR,RH,	
73	0044102	2	END CAP ASSY,SIDE PANEL TRIM,REAR,LH,	
74	1962505	60	SCREW,10-16X1-1/4,AB,PH1,PN/HD,YZND,	
75	0053535	2	RETAINER,RUBBER FENDER,REAR WHEELHOUSE	

Models: C4RE
FRONT, CENTER, & REAR OUTSIDE PANELS
4000 MODEL
WITH FRONT & CENTER ENTRANCE DOOR
BSN: From BSN F2005505

Key	PartNumber	Qty	Description	Comment
-----	------------	-----	-------------	---------



Models: C4RE
FRONT, CENTER, & REAR OUTSIDE PANELS
4000 MODEL
WITH FRONT & CENTER ENTRANCE DOOR
BSN: From BSN F20055505

Key	PartNumber	Qty	Description	Comment
1	0034684		PANEL ASSY,DOOR,ELECT ACCESS,UPPER, C4RE	
2	0034685		PANEL ASSY,DOOR,ELECT ACCESS,LOWER,	
3	0032100		PANEL,OS/S,DRIVERS WINDOW,LOWER, C4RE	
4	0041110	2	HINGE,STNLS,.120 PIN X 2.50 OPEN,12.50	
5	0038435		PANEL,SKIRT,FRT W/H,FORWARD,LEFT HAND,	
6	0047078	2	RIM,WHEELHOUSE,FRONT, C4RE	
7	0038455	4	FENDER,RUBBER,C4RE	
8	1738533	4	RETAINER,RUBBER FENDER,REAR WHEELHOUSE	
9	0041113		HINGE,STNLS,.120 PIN X 2.50 OPEN,32.50	
10	0039762		PANEL,SKIRT,FRT W/H,REAR,LEFT HAND,C4RE	
11	0041116	2	HINGE,STNLS,.120 PIN X 2.50 OPEN,65.25	
12	0039770		PANEL,SKIRT,66.88,C4RE	
13	0041114		HINGE,STNLS,.120 PIN X 2.50 OPEN,54.00	
14	0039769		PANEL,SKIRT,55.88, C4RE	
15	0041115		HINGE,STNLS,.120 PIN X 2.50 OPEN,60.75	
16	0039806		PANEL,SKIRT,61.49,C4RE	
17	0041112		HINGE,STNLS,.120 PIN X 2.50 OPEN,22.50	
18	0039764		PANEL,SKIRT,REAR W/H,FRONT,LEFT HAND,	
19	0047079	2	RIM,WHEELHOUSE,REAR,C4RE	
20	0041114	2	HINGE,STNLS,.120 PIN X 2.50 OPEN,54.00	
21	0039766		PANEL,SKIRT,REAR W/H,REAR,LEFT HAND,	
22	0042102		TRIM ASSY,OPENING,RH,SIDE ENG CMPT DR,	
23	0044170		DOOR ASSY,SIDE,ENGINE COMPARTMENT,RH,	

Models: C4RE
FRONT, CENTER, & REAR OUTSIDE PANELS
4000 MODEL
WITH FRONT & CENTER ENTRANCE DOOR
BSN: From BSN F20055505

Key	PartNumber	Qty	Description	Comment
24	0043970	2	HINGE ASSY,ALUMINUM,SIDE ENG CMPT DOOR,	
25	0041837	2	TRIM,OPENING,REAR,SIDE ENG CMPT DR,C4RE	
26	0037491		PANEL,OS/S,DRIVERS WINDOW,UPPER, C4RE	
27	0034921	6	BOW CAP,DOUBLE BOW, C4RE	
28	0038125		PANEL,OUTSIDE,REAR,UPPER,LEFT HAND, C4RE	
29	0054858		RUB RAIL,EXTENSION,239.24, C4RE	
30	0054771		PANEL,OS/S,LEFT HAND, 4000C4RE	
31	0054846		RUB RAIL,207.75,LH, C4RE	
32	0038670	4	EXTRUSION,DRIP MOLDING, C4RE	
33	0054762	10	PANEL,ROOF,O/S,28.00,81.00 HEADROOM,	
34	0054763	4	PANEL,ROOF,O/S,35.00,81.00 HEADROOM,	
35	0054764		PANEL,ROOF,OUTSIDE,28.00,FRONT,EXIT DR	
36	0054765		PANEL,ROOF,OUTSIDE,28.00,REAR,EXIT DR,	
37	0037996		CAP,FIBERGLASS,FRONT, C4RE	
38	0037997		CAP,FIBERGLASS,REAR, C4RE	
39	0044171		DOOR ASSY,SIDE,ENGINE COMPARTMENT,LH,	
40	0042103		TRIM ASSY,OPENING,LH,SIDE ENG CMPT DR,	
41	0049207		PANEL ASSY,SKIRT,BATTERY COMPARTMENT,	
42	0039763		PANEL,SKIRT,REAR W/H,FRONT,RIGHT HAND,	
43	0041109		HINGE,STNLS,.120 PIN X 2.50 OPEN,2.50, C4RE	
44	0041441		PANEL ASSY,SKIRT,DIESEL FILL,C4RE	
45	0041111		HINGE,STNLS,.120 PIN X 2.50 OPEN,18.00	
46	0038434		PANEL,SKIRT,FRT W/H,FORWARD,RIGHT HAND	

Models: C4RE
FRONT, CENTER, & REAR OUTSIDE PANELS
4000 MODEL
WITH FRONT & CENTER ENTRANCE DOOR
BSN: From BSN F20055505

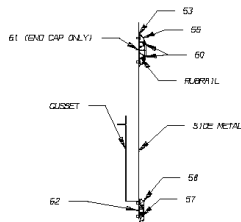
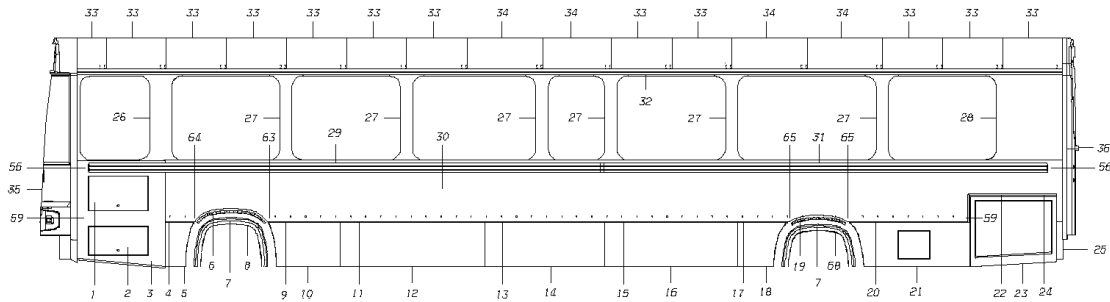
Key	PartNumber	Qty	Description	Comment
47	3917572		GRILLE ASSY,AIR INTAKE,89SP,PRIMED,001	
48	0038124		PANEL,OUTSIDE,REAR,UPPER,RIGHT HAND,	
49	0038950		BOW CAP,REAR,CENTER DOOR, C4RE	
50	0038951		BOW CAP,FRONT,REAR DOOR, C4RE	
51	0037464		BOW CAP,REAR,ENTRANCE DOOR, C4RE	
52	0054772		PANEL,OS/S,REAR,RIGHT HAND, 4000C4RE	
53	0054830		RUB RAIL,151.75, C4RE	
54	0054847		RUB RAIL,209.00, C4RE	
55	0054770		PANEL,OS/S,FRONT,RIGHT HAND, 4000C4RE	
56	0044695		TRIM,EXTERIOR,UPPER,EXIT DOOR, C4RE	
57	0040152	5	EXTRUSION,EDGE,FIBERGLASS CAP, C4RE	
58	0042208		TRIM,CORNER POST,FRONT,RIGHT HAND, C4RE	
59	0621953	50	TAPE,FOAM,1/8X3/4X50FT,CLSD.CELL NEOP.	
60	0862953	1.5	SEALANT,SCHNEE-MOREHEAD 5522,VINYL	
61	2002707	11	SEALANT,BEAD,1/8 IN,NO 5212	
62	1652890	4	EXTRUSION,RUBRAIL COVER,ALUMINUM,240"	
63	1653872	6	CAP,END,ALUMINUM RUBRAIL COVER	
64	1863109	4	EXTRUSION,SI PNL,LWR	
65	1863091	AR	EXTRUSION,TRIM,SI PNL,LWR	
66	1863117	6	CAP,END,TRIM,SI PNL,LWR	
67	3979325	52	SCREW,PH,FT,8-32 X 5/8,TYPE C,ZN3	
68	3979317	6	SCREW,PH,FT,8-32 X 1 5/16,TYPE C,ZN3	
69	0864579	60	SCREW,10-16 X 3/4,AB,PH1,PAN HD,SST	

Models: C4RE
FRONT, CENTER, & REAR OUTSIDE PANELS
4000 MODEL
WITH FRONT & CENTER ENTRANCE DOOR
BSN: From BSN F20055505

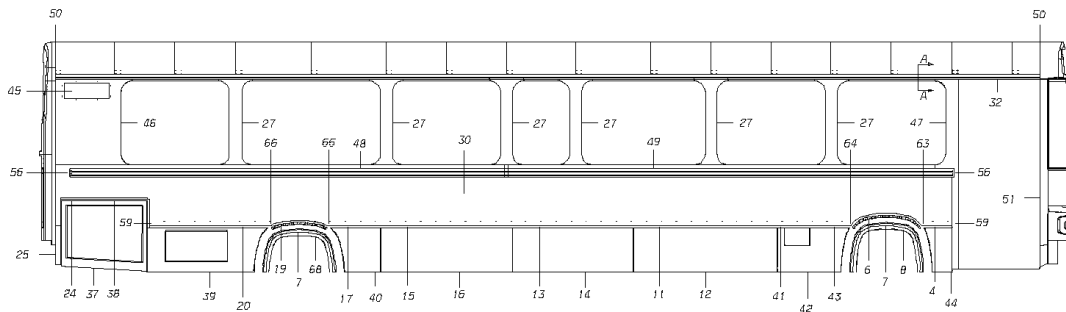
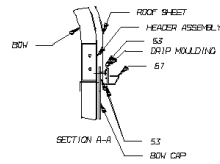
Key	PartNumber	Qty	Description	Comment
70	0044099	2	END CAP ASSY,SIDE PANEL TRIM,FRONT,RH,	
71	0044100	2	END CAP ASSY,SIDE PANEL TRIM,FRONT,LH,	
72	0044101	2	END CAP ASSY,SIDE PANEL TRIM,REAR,RH,	
73	0044102	2	END CAP ASSY,SIDE PANEL TRIM,REAR,LH,	
74	1962505	60	SCREW,10-16X1-1/4,AB,PH1,PN/HD,YZND,	

Models: C4RE
FRONT, CENTER, & REAR OUTSIDE PANELS
4000 MODEL
WITH FRONT ENTRANCE DOOR ONLY
To BSN F20055504

Key	PartNumber	Qty	Description	Comment
-----	------------	-----	-------------	---------



EXTERIOR TRIM



**Models: C4RE
FRONT, CENTER, & REAR OUTSIDE PANELS
4000 MODEL
WITH FRONT ENTRANCE DOOR ONLY
To BSN F20055504**

Key	PartNumber	Qty	Description	Comment
1	0034684		PANEL ASSY,DOOR,ELECT ACCESS,UPPER, C4RE	
2	0034685		PANEL ASSY,DOOR,ELECT ACCESS,LOWER,	
3	0032100		PANEL,OS/S,DRIVERS WINDOW,LOWER, C4RE	
4	0041110	2	HINGE,STNLS,.120 PIN X 2.50 OPEN,12.50	
5	0038435		PANEL,SKIRT,FRT W/H,FORWARD,LEFT HAND,	
6	0047078	2	RIM,WHEELHOUSE,FRONT, C4RE	
7	0038455	4	FENDER,RUBBER,C4RE	
8	1738533	4	RETAINER,RUBBER FENDER,REAR WHEELHOUSE	<i>ENDING WITH BSN F20050970</i>
8	0053534	2	RETAINER,RUBBER FENDER,FRONT	<i>BEGIN WITH BSN F20050971</i>
9	0041113		HINGE,STNLS,.120 PIN X 2.50 OPEN,32.50	
10	0039762		PANEL,SKIRT,FRT W/H,REAR,LEFT HAND,C4RE	
11	0041116		HINGE,STNLS,.120 PIN X 2.50 OPEN,65.25	
12	0039770	2	PANEL,SKIRT,66.88,C4RE	
13	0041114	2	HINGE,STNLS,.120 PIN X 2.50 OPEN,54.00	
14	0039769		PANEL,SKIRT,55.88, C4RE	
15	0041115	2	HINGE,STNLS,.120 PIN X 2.50 OPEN,60.75	
16	0039806	2	PANEL,SKIRT,61.49,C4RE	
17	0041112	2	HINGE,STNLS,.120 PIN X 2.50 OPEN,22.50	
18	0039764		PANEL,SKIRT,REAR W/H,FRONT,LEFT HAND,	
19	0047079	2	RIM,WHEELHOUSE,REAR,C4RE	
20	0041114	2	HINGE,STNLS,.120 PIN X 2.50 OPEN,54.00	
21	0039766		PANEL,SKIRT,REAR W/H,REAR,LEFT HAND,	
22	0042102		TRIM ASSY,OPENING,RH,SIDE ENG CMPT DR,	

**Models: C4RE
FRONT, CENTER, & REAR OUTSIDE PANELS
4000 MODEL
WITH FRONT ENTRANCE DOOR ONLY
To BSN F20055504**

Key	PartNumber	Qty	Description	Comment
23	0044170		DOOR ASSY,SIDE,ENGINE COMPARTMENT,RH,	
24	0043970	2	HINGE ASSY,ALUMINUM,SIDE ENG CMPT DOOR,	
25	0041837	2	TRIM,OPENING,REAR,SIDE ENG CMPT DR,C4RE	
26	0037491		PANEL,OS/S,DRIVERS WINDOW,UPPER, C4RE	
27	0034921	8	BOW CAP,DOUBLE BOW, C4RE	
28	0038125		PANEL,OUTSIDE,REAR,UPPER,LEFT HAND, C4RE	
29	0041444		RUB RAIL,EXTENSION,239.24, C4RE	
30	0037501		PANEL,OS/S,LEFT HAND, 4000 C4RE	
31	0051169		RUB RAIL,207.75,LH, C4RE	
32	0038670	3	EXTRUSION,DRIP MOLDING, C4RE	
33	0034023	10	PANEL,ROOF,O/S,28.00,81.00 HEADROOM,	
34	0034024	2	PANEL,ROOF,O/S,35.00,81.00 HEADROOM,	
35	0037996		CAP,FIBERGLASS,FRONT, C4RE	
36	0037997		CAP,FIBERGLASS,REAR, C4RE	
37	0044171		DOOR ASSY,SIDE,ENGINE COMPARTMENT,LH,	
38	0042103		TRIM ASSY,OPENING,LH,SIDE ENG CMPT DR,	
39	0049207		PANEL ASSY,SKIRT,BATTERY COMPARTMENT,	
	0039765		PANEL,SKIRT,REAR W/H,REAR,RIGHT HAND,	Part of item 39
	0039776		DOOR,BATTERY COMPARTMENT,C4RE	Part of item 39
	0041143		HINGE,STNLS,.120 PIN X 1.50 OPEN,27.50	Part of item 39
	0542019		RIVET,LONG CHERRY,7355-100-6-8	Part of item 39
40	0039763		PANEL,SKIRT,REAR W/H,FRONT,RIGHT HAND,	STANDARD
40	0044883		PANEL ASSY,SKIRT,CNG FILL, C4RE	FEATURE 40245-01. CNG

**Models: C4RE
FRONT, CENTER, & REAR OUTSIDE PANELS
4000 MODEL
WITH FRONT ENTRANCE DOOR ONLY
To BSN F20055504**

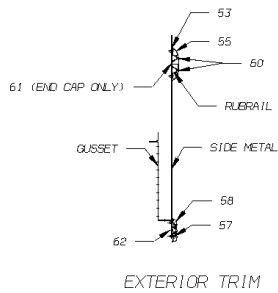
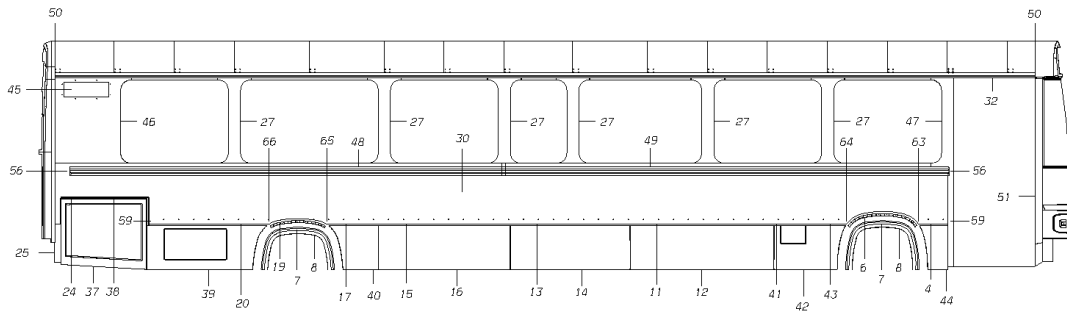
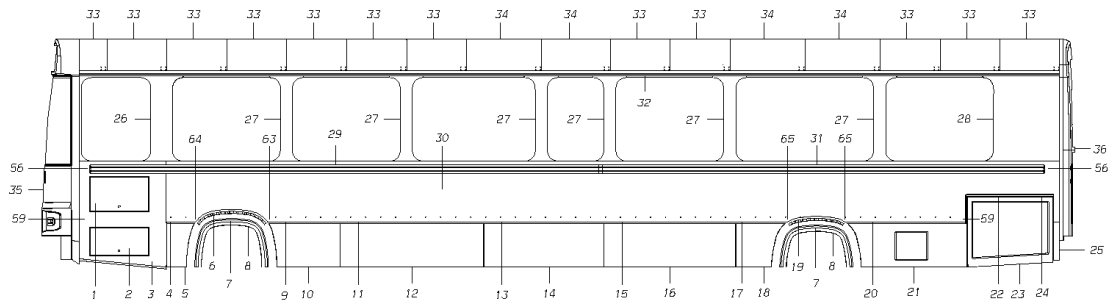
Key	PartNumber	Qty	Description	Comment
41	0041109		HINGE,STNLS,.120 PIN X 2.50 OPEN,2.50, C4RE	
42	0041441		PANEL ASSY,SKIRT,DIESEL FILL,C4RE	STANDARD
42	0041974		PANEL,SKIRT,FRT W/H,REAR,RH,W/O DOOR,	FEATURE 40245-01. CNG
43	0041111		HINGE,STNLS,.120 PIN X 2.50 OPEN,18.00	
44	0038434		PANEL,SKIRT,FRT W/H,FORWARD,RIGHT HAND	
45	3917572		GRILLE ASSY,AIR INTAKE,89SP,PRIMED,001	
46	0038124		PANEL,OUTSIDE,REAR,UPPER,RIGHT HAND,	
47	0037464		BOW CAP,REAR,ENTRANCE DOOR, C4RE	
48	0041432		RUB RAIL,207.75,RH, C4RE	
49	0047566		RUB RAIL,EXTENSION,204.24, C4RE	
50	0040152	5	EXTRUSION,EDGE,FIBERGLASS CAP, C4RE	
51	0042208		TRIM,CORNER POST,FRONT,RIGHT HAND, C4RE	
NI	0621953		TAPE,FOAM,1/8X3/4X50FT,CLSD.CELL NEOP.	
53	0862953		SEALANT,SCHNEE-MOREHEAD 5522,VINYL	
NI	2002707		SEALANT,BEAD,1/8 IN,NO 5212	
55	1652890	4	EXTRUSION,RUBRAIL COVER,ALUMINUM,240"	
56	1653872	4	CAP,END,ALUMINUM RUBRAIL COVER	
57	1863109	4	EXTRUSION,SI PNL,LWR	
58	1863091		EXTRUSION,TRIM,SI PNL,LWR	
59	1863117	4	CAP,END,TRIM,SI PNL,LWR	
60	3979325	52	SCREW,PH,FT,8-32 X 5/8,TYPE C,ZN3	
61	3979317	4	SCREW,PH,FT,8-32 X 1 5/16,TYPE C,ZN3	
62	0864579	60	SCREW,10-16 X 3/4,AB,PH1,PAN HD,SST	

**Models: C4RE
FRONT, CENTER, & REAR OUTSIDE PANELS
4000 MODEL
WITH FRONT ENTRANCE DOOR ONLY
To BSN F20055504**

Key	PartNumber	Qty	Description	Comment
63	0044099	2	END CAP ASSY,SIDE PANEL TRIM,FRONT,RH,	
64	0044100	2	END CAP ASSY,SIDE PANEL TRIM,FRONT,LH,	
65	0044101	2	END CAP ASSY,SIDE PANEL TRIM,REAR,RH,	
66	0044102	2	END CAP ASSY,SIDE PANEL TRIM,REAR,LH,	
67	1962505		SCREW,10-16X1-1/4,AB,PH1,PN/HD,YZND,	
68	0053535	2	RETAINER,RUBBER FENDER,REAR WHEELHOUSE	

Models: C4RE
FRONT, CENTER, & REAR OUTSIDE PANELS
4000 MODEL
WITH FRONT ENTRANCE DOOR ONLY
BSN: From BSN F2005505

Key	PartNumber	Qty	Description	Comment
-----	------------	-----	-------------	---------



Models: C4RE
FRONT, CENTER, & REAR OUTSIDE PANELS
4000 MODEL
WITH FRONT ENTRANCE DOOR ONLY
BSN: From BSN F20055505

Key	PartNumber	Qty	Description	Comment
1	0034684		PANEL ASSY,DOOR,ELECT ACCESS,UPPER, C4RE	
2	0034685		PANEL ASSY,DOOR,ELECT ACCESS,LOWER,	
3	0032100		PANEL,OS/S,DRIVERS WINDOW,LOWER, C4RE	
4	0041110	2	HINGE,STNLS,.120 PIN X 2.50 OPEN,12.50	
5	0038435		PANEL,SKIRT,FRT W/H,FORWARD,LEFT HAND,	
6	0047078	2	RIM,WHEELHOUSE,FRONT, C4RE	
7	0038455	4	FENDER,RUBBER,C4RE	
8	1738533	4	RETAINER,RUBBER FENDER,REAR WHEELHOUSE	
9	0041113		HINGE,STNLS,.120 PIN X 2.50 OPEN,32.50	
10	0039762		PANEL,SKIRT,FRT W/H,REAR,LEFT HAND,C4RE	
11	0041116		HINGE,STNLS,.120 PIN X 2.50 OPEN,65.25	
12	0039770	2	PANEL,SKIRT,66.88,C4RE	
13	0041114	2	HINGE,STNLS,.120 PIN X 2.50 OPEN,54.00	
14	0039769		PANEL,SKIRT,55.88, C4RE	
15	0041115	2	HINGE,STNLS,.120 PIN X 2.50 OPEN,60.75	
16	0039806	2	PANEL,SKIRT,61.49,C4RE	
17	0041112	2	HINGE,STNLS,.120 PIN X 2.50 OPEN,22.50	
18	0039764		PANEL,SKIRT,REAR W/H,FRONT,LEFT HAND,	
19	0047079	2	RIM,WHEELHOUSE,REAR,C4RE	
20	0041114	2	HINGE,STNLS,.120 PIN X 2.50 OPEN,54.00	
21	0039766		PANEL,SKIRT,REAR W/H,REAR,LEFT HAND,	
22	0042102		TRIM ASSY,OPENING,RH,SIDE ENG CMPT DR,	
23	0044170		DOOR ASSY,SIDE,ENGINE COMPARTMENT,RH,	

Models: C4RE
FRONT, CENTER, & REAR OUTSIDE PANELS
4000 MODEL
WITH FRONT ENTRANCE DOOR ONLY
BSN: From BSN F20055505

Key	PartNumber	Qty	Description	Comment
24	0043970	2	HINGE ASSY,ALUMINUM,SIDE ENG CMPT DOOR,	
25	0041837	2	TRIM,OPENING,REAR,SIDE ENG CMPT DR,C4RE	
26	0037491		PANEL,OS/S,DRIVERS WINDOW,UPPER, C4RE	
27	0034921	8	BOW CAP,DOUBLE BOW, C4RE	
28	0038125		PANEL,OUTSIDE,REAR,UPPER,LEFT HAND, C4RE	
29	0054858		RUB RAIL,EXTENSION,239.24, C4RE	
30	0054771		PANEL,OS/S,LEFT HAND, 4000C4RE	
31	0054846		RUB RAIL,207.75,LH, C4RE	
32	0038670	4	EXTRUSION,DRIP MOLDING, C4RE	
33	0054762		PANEL,ROOF,O/S,28.00,81.00 HEADROOM,	
34	0054763		PANEL,ROOF,O/S,35.00,81.00 HEADROOM,	
35	0037996		CAP,FIBERGLASS,FRONT, C4RE	
36	0037997		CAP,FIBERGLASS,REAR, C4RE	
37	0044171		DOOR ASSY,SIDE,ENGINE COMPARTMENT,LH,	
38	0042103		TRIM ASSY,OPENING,LH,SIDE ENG CMPT DR,	
39	0049207		PANEL ASSY,SKIRT,BATTERY COMPARTMENT,	
40	0039763		PANEL,SKIRT,REAR W/H,FRONT,RIGHT HAND,	
41	0041109		HINGE,STNLS,.120 PIN X 2.50 OPEN,2.50, C4RE	
42	0041441		PANEL ASSY,SKIRT,DIESEL FILL,C4RE	
43	0041111		HINGE,STNLS,.120 PIN X 2.50 OPEN,18.00	
44	0038434		PANEL,SKIRT,FRT W/H,FORWARD,RIGHT HAND	
45	3917572		GRILLE ASSY,AIR INTAKE,89SP,PRIMED,001	
46	0038124		PANEL,OUTSIDE,REAR,UPPER,RIGHT HAND,	

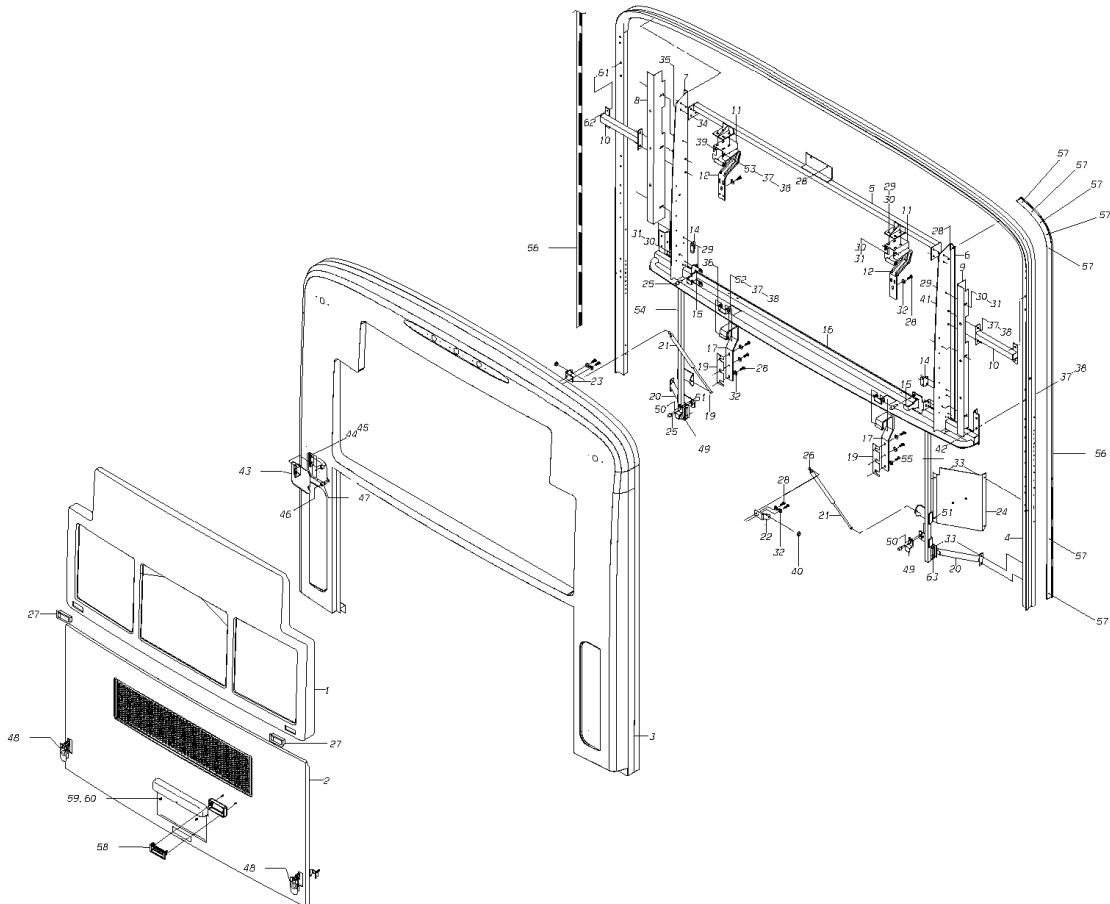
**Models: C4RE
FRONT, CENTER, & REAR OUTSIDE PANELS
4000 MODEL
WITH FRONT ENTRANCE DOOR ONLY**

BSN: From BSN F20055505

Key	PartNumber	Qty	Description	Comment
47	0037464		BOW CAP,REAR,ENTRANCE DOOR, C4RE	
48	0054833		RUB RAIL,207.75,RH, C4RE	
49	0054856		RUB RAIL,EXTENSION,204.24, C4RE	
50	0040152	5	EXTRUSION,EDGE,FIBERGLASS CAP, C4RE	
51	0042208		TRIM,CORNER POST,FRONT,RIGHT HAND, C4RE	
52	0621953	50	TAPE,FOAM,1/8X3/4X50FT,CLSD.CELL NEOP.	
53	0862953	1.5	SEALANT,SCHNEE-MOREHEAD 5522,VINYL	
54	2002707	11	SEALANT,BEAD,1/8 IN,NO 5212	
55	1652890	4	EXTRUSION,RUBRAIL COVER,ALUMINUM,240"	
56	1653872	4	CAP,END,ALUMINUM RUBRAIL COVER	
57	1863109	4	EXTRUSION,SI PNL,LWR	
58	1863091	.8	EXTRUSION,TRIM,SI PNL,LWR	
59	1863117	4	CAP,END,TRIM,SI PNL,LWR	
60	3979325	52	SCREW,PH,FT,8-32 X 5/8,TYPE C,ZN3	
61	3979317	4	SCREW,PH,FT,8-32 X 1 5/16,TYPE C,ZN3	
62	0864579	60	SCREW,10-16 X 3/4,AB,PH1,PAN HD,SST	
63	0044099	2	END CAP ASSY,SIDE PANEL TRIM,FRONT,RH,	
64	0044100	2	END CAP ASSY,SIDE PANEL TRIM,FRONT,LH,	
65	0044101	2	END CAP ASSY,SIDE PANEL TRIM,REAR,RH,	
66	0044102	2	END CAP ASSY,SIDE PANEL TRIM,REAR,LH,	
67	1962505	60	SCREW,10-16X1-1/4,AB,PH1,PN/HD,YZND,	

Models: C4RE
REAR

Key	PartNumber	Qty	Description	Comment
-----	------------	-----	-------------	---------



Models: C4RE
REAR

Key	PartNumber	Qty	Description	Comment
1	0037998		DOOR,ACCESS,AIR CONDITIONER, C4RE	
2	0038000		DOOR,ENGINE COMPARTMENT, C4RE	ENDING WITH BSN F20047499
2	0051405		DOOR,ENGINE COMPARTMENT, C4RE	BEGIN WITH BSN F20047500
3	0037997		CAP,FIBERGLASS,REAR, C4RE	
NI	1999804		LIGHT,BRAKE,HIGH MOUNT,LED,B4/Q4/W4	
4	0044679		BOW ASSY,REAR, C4RE	
5	0041945		TUBE ASSY,UPPER,REAR STRUCTURE, C4RE	
6	0037475		PANEL,SUPPORT,RH,REAR FIBERGLASS CAP,	
7	0037476		PANEL,SUPPORT,LH,REAR FIBERGLASS CAP,	
8	0040689		SUPPORT,UPPER,LH,REAR FIBERGLASS CAP,	
9	0040688		SUPPORT,UPPER,RH,REAR FIBERGLASS CAP,	
10	0012539	2	TUBE ASSY,UPPER,O/S,RR STRUCTURE, C4RE	
11	0041933	2	BRACKET,MTG,HINGE,DOOR,A/C ACCESS, C4RE	
12	0042053	2	HINGE ASSY,DOOR,AIR CONDITIONER ACCESS	
NI	0042522	2	SHIM,HINGE,AIR CONDITIONER ACCESS DOOR	ENDING WITH BSN F20069940
14	0042554	2	BRACKET,MTG,SLIDE PROP,A/C ACCESS DOOR	
15	0042406	2	BRACKET,MTG,RUBBER STOP,A/C ACCESS DR,	
16	0037446		PANEL ASSY,TOP,REAR,ENGINE COMPARTMENT	
17	0042812	1	HINGE ASSY,LEFT HAND,REAR ENGINE DOOR,	ENDING WITH BSN F20050970
17	0042813	1	HINGE ASSY,RIGHT HAND,REAR ENGINE DOOR	ENDING WITH BSN F20050970
17	0053048	2	HINGE ASSY,REAR ENGINE DOOR, C4RE	BEGIN WITH BSN F20050971
19	0042901	6	SHIM,HINGE,REAR ENGINE DOOR, C4RE	ENDING WITH BSN F20050970
19	0053141	6	SHIM,HINGE,REAR ENGINE DOOR, C4RE	BEGIN WITH BSN F20050971

Models: C4RE
REAR

Key	PartNumber	Qty	Description	Comment
20	0040669	4	BRACE ASSY,DIAG,REAR FIBERGLASS CAP,	
21	1705235	2	GAS SPRING,FAN22E,80 LB	
22	1828961		BRACKET,STRUT MTG,UPR,RR,ENG CMPT,	
23	1828953		BRACKET,STRUT MTG,UPR,RR,ENG CMPT,	
24	0042607		BRACKET,MTG,PUMP,RICON LIFT, C4RE	<i>USED ONLY WITH FEATURE 31061-02</i>
25	0035382	4	BUMPER,RUBBER,SPARE TIRE ACCESS DOOR,	
26	3758810	4	STUD,BALL,O/H CABINET 10MM,WL	
27	1814474	2	LATCH,ADJUSTABLE LEVER,THICK GRIP	
28	2000198	30	SCREW,5/16-18 X 1,D,HEX HD,YEL ZN DICH	
29	0977132	24	CAPSCREW,HEX HD,1/4-20 X 3/4,GR 5,YEL	
30	1247709	34	WASHER,FLAT,17/64 ID X,5/8,YEL ZN DICH	
31	2001345	24	NUT,HEX HD,1/4-20,LOCKING,YELLOW	
32	2001188	22	LOCKWASHER,SPLIT RING, 5/16,MED,YEL ZN	
33	2000073	16	SCREW,1/4-20 X 1,D,HEX HD,YEL ZN DICH	
34	1032283	6	CAPSCREW,HEX HD,5/16-18,X,3/4,GR5,	
35	0829390	6	NUT,HEX HD,5/16-18,SER WASHER,YEL ZN	
36	1063262	2	CAPSCREW,HEX HD,3/8-16 X 3,GR8,YEL ZN	
37	1107085	28	WASHER,FLAT,13/32 X 13/16 X 3/32,HDN,BLK	
38	0826297	20	NUT,HEX HD,3/8-16 LOCK,YEL ZN DICH	
39	1510114	2	CAPSCREW,HEX HD,3/8-16 X 4,GR5,YEL ZN	
40	0530485	4	NUT,HEX HD,5/16-24,LOCK,GR 5,YEL ZN DICH	
41	0882803	4	CAPSCREW,HEX HD,3/8-16,X,1,,GR5,YELDICH	
42	0616748	8	CAPSCREW,HEX HD,5/16-18X2 1/4,GR5,	

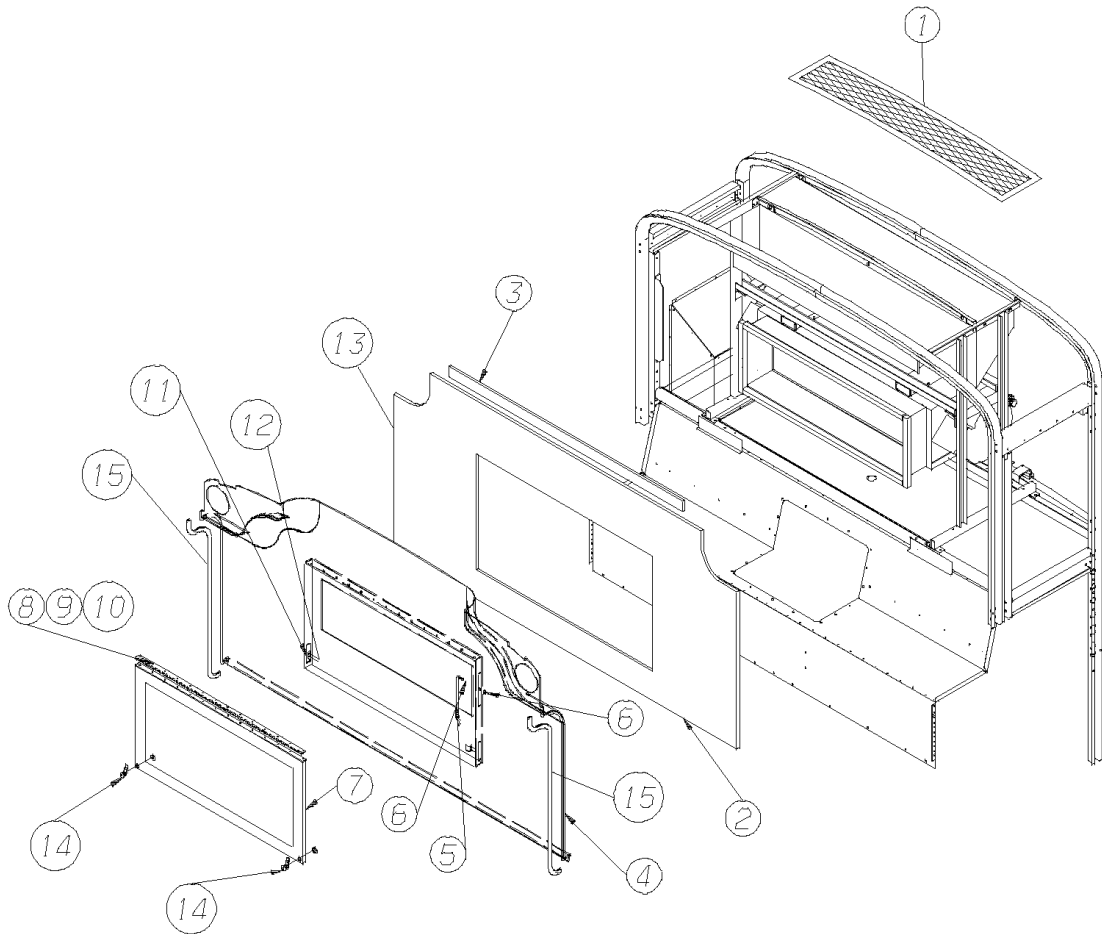
Models: C4RE
REAR

Key	PartNumber	Qty	Description	Comment
43	0011759		DOOR ASSY,DEAERATION TANK,PRIMED	
44	2001121	2	WASHER,FLAT,5/16 X 3/4,X 5/64,YEL ZN DICH	
45	1529254	2	NUT,HEX HD,M6-1.0, LOCKING	
46	0527267	2	SCREW,6-20 X 1/2,AB,PH1,PAN HD,YEL ZN	
47	3903200	2	BUMPER,RECESSED,0.50 DIA X 0.44 TALL,	
48	0027417	2	LATCH,ADJUSTABLE LEVER,SEALED	
49	0049295	2	BRACKET,STRIKER,DOOR LATCH ENGINE CMPT	
50	0989145	2	CAPSCREW,HEX HD,5/16-18, X, 1, ,GR5,	
51	1465954	6	NUT,HEX HD,5/16-18,LK,NYLON INSERT,YEL	
52	0042793	2	TUBE,STL,RD,.500 X .384 X .058 X 2.06	
53	0041941	2	TUBE,STL,RD,.500 X .384 X .058 X 2.75	
54	0051235		BRACE ASSY,VERT,LH,ENG CMPT DR OPENING	
55	0051236		BRACE ASSY,VERT,RH,ENG CMPT DR OPENING	
56	0040152	2	EXTRUSION,EDGE,FIBERGLASS CAP, C4RE	
57	2217578	24	RIVET,BLIND,ALUM,1/8 DIA,W/ST M,251-312	
58	0054679		HANDLE,SOUTHCO P2-42-1,REAR ENG DOOR,	ENDING WITH BSN F20055420
58	0065165		HANDLE,RECESSED,SOUTHCO,P1-30-107-11	BEGIN WITH BSN F20055421
59	2001261	2	NUT,PLASTIC,EXPANSION"	
60	1164821	2	SCREW,10-16 X 3/4,AB,PH1,TRUSS HD, YEL ZN	
61	1971159	4	PLUSNUT,1/4-20,S25P500	
62	1376086	4	SCREW,MACH,1/4-20 X 1,HEX,BLK	
63	3952348	4	BRACKET,ATCH,BRACE,ENG CMPT DR OPENING	

Models: C4RE
 REAR
 WITH EM17 CARRIER AIR CONDITIONER

With: FEATURE 38102-10, -11
 To BSN F20054360

Key	PartNumber	Qty	Description	Comment
-----	------------	-----	-------------	---------

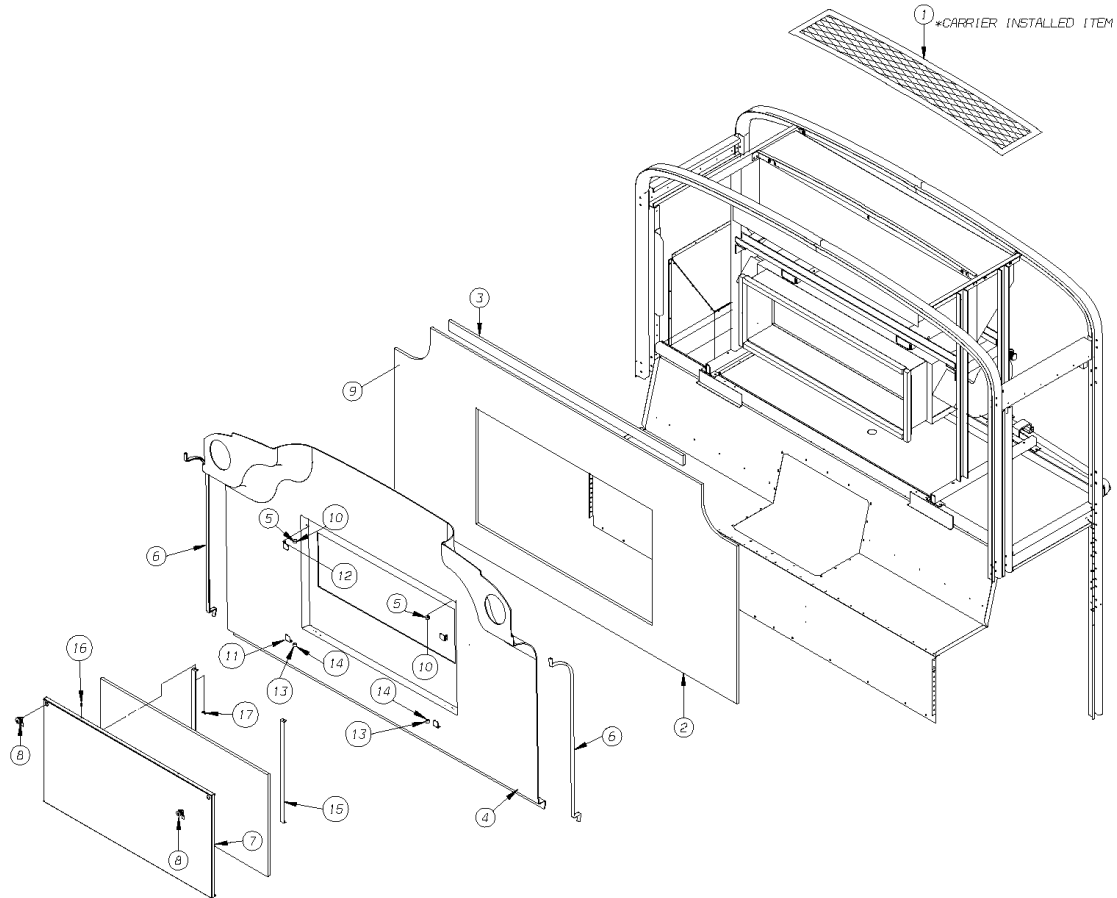


Models: C4RE
REAR
WITH EM17 CARRIER AIR CONDITIONER
With: FEATURE 38102-10, -11
To BSN F20054360

Key	PartNumber	Qty	Description	Comment
1	0050543		GRILLE,OUTSIDE,RETURN AIR,CARRIER EM17	
2	0042189		PLYWOOD,REAR BULKHEAD WALL,WITH A/C,	WITH CUTOUT
3	0052322		PLYWOOD,UPPER,RR BULKHEAD WALL W/EM17,	
4	0049500		PANEL,BULKHEAD,REAR,EM17 A/C, C4RE	
5	0043598		ROD,PROP,GRILLE,CARRIER RETURN AIR, C4RE	
6	1435015	2	NUT,HEX HD,5/16-18,FLANGED,YELLOW	
7	0042100		GRILLE,RETURN AIR,CARRIER RM35, C4RE	
8	0046600		HINGE,STAINLESS,.120 PIN X 2.50 OPEN,46.50	
9	1541176	28	SCREW,MACH 1/4-20 X 3/4,PH1,TRUSSHD,	
10	2001345	28	NUT,HEX HD,1/4-20,LOCKING,YELLOW	
11	0052324	2	ANGLE,LATCH,A/C BULKHEAD DOOR, C4RE	
12	1143676	4	SCREW,10-16 X 3/4, AB,PH1,PAN HD,BLK ZN,	
13	2000495	20	SCREW,8-18 X1,AB,PH1,OVAL CNSK HD,	
14	0043443	2	LATCH,QUAD PNL,SQUARE,SOUTHCO E5-2-085	
15	1702547		TRIM,VINYL,GRAY,DOUBLE LIP,75000321	

Models: C4RE
 REAR
 WITH EM17 CARRIER AIR CONDITIONER
 With: FEATURE 38102-10, -11
 BSN: From BSN F20054361

Key	PartNumber	Qty	Description	Comment
-----	------------	-----	-------------	---------

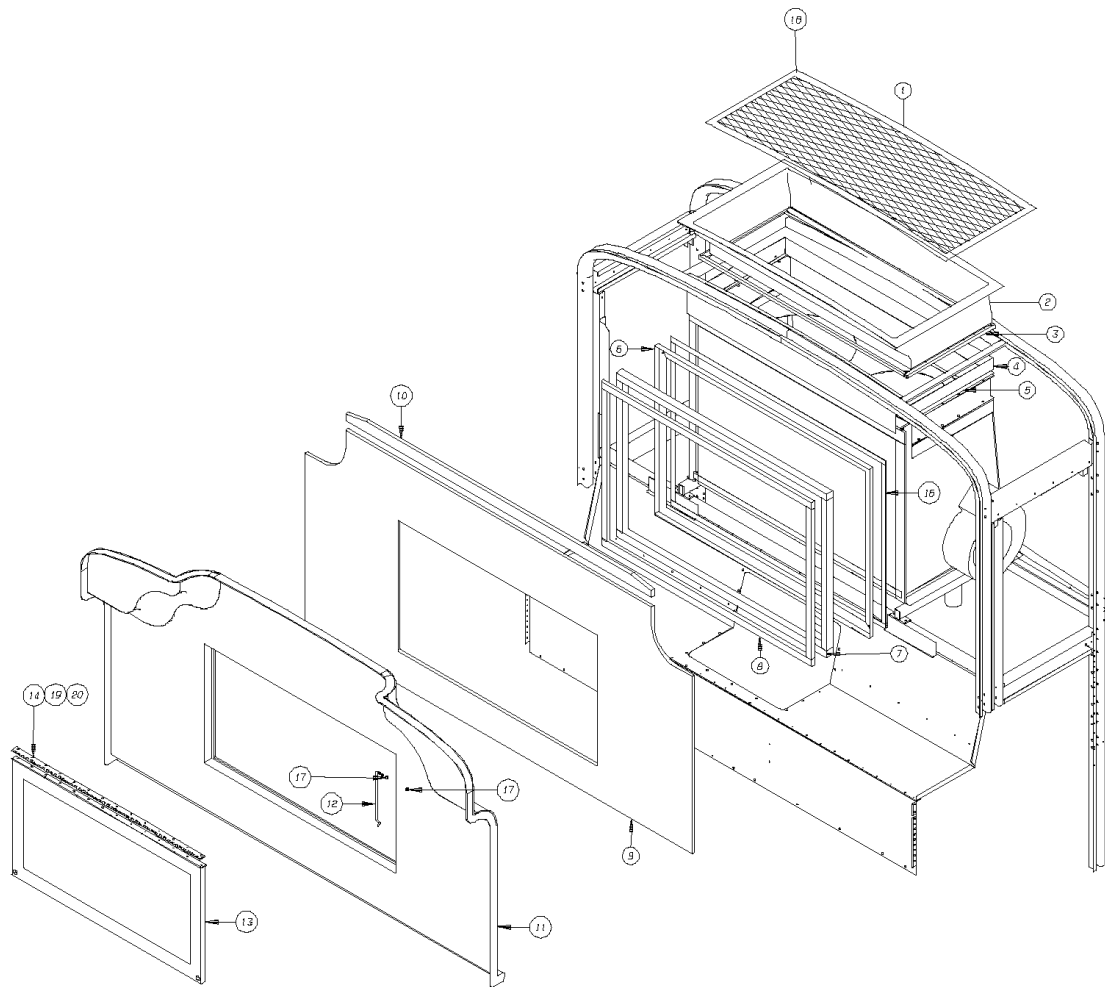


Models: C4RE
REAR
WITH EM17 CARRIER AIR CONDITIONER
With: FEATURE 38102-10, -11
BSN: From BSN F20054361

Key	PartNumber	Qty	Description	Comment
1	0050543		GRILLE,OUTSIDE,RETURN AIR,CARRIER EM17	
2	0042189		PLYWOOD,REAR BULKHEAD WALL,WITH A/C,	
3	0052322		PLYWOOD,UPPER,RR BULKHEAD WALL W/EM17,	
4	0055403		PANEL,BULKHEAD,REAR,EM 17,A/C, C4RE	
5	1551381		BUMPER,.50 X .25,TC ACCESS DOOR	
6	1702547	8	TRIM,VINYL,GRAY,DOUBLE LIP,75000321	
7	0055404		PANEL,GRILL,AIR RETURN,INSIDE,A/C, C4RE	
8	0043443	2	LATCH,QUAD PNL,SQUARE,SOUTHCO E5-2-085	
9	2000495	20	SCREW,8-18 X1,AB,PH1,OVAL CNSK HD,	
10	1563816	2	SCREW,6-32X3/8,F,PH1,OVAL CNSK HD,	
11	0052324	4	ANGLE,LATCH,A/C BULKHEAD DOOR, C4RE	
12	1143676	8	SCREW,10-16 X 3/4, AB,PH1,PAN HD,BLK ZN,	
13	1486919	2	BUMPER,RUBBER RECESS,.469 X .719 DIA	
14	0527267	2	SCREW,6-20 X 1/2,AB,PH1,PAN HD,YEL ZN	
15	0068037	2	BRACKET,RETAINING,FILTER,RETURN AIR,C4RE	
16	1966837	4	SCREW,MACH,10-32X1/2,PH1,PAN HD,BLK ZN	
17	1629120	4	NUT,WING,10-32	

Models: C4RE
 REAR
 WITH RM35 CARRIER AIR CONDITIONER
With: FEATURE 38102-08
 To BSN F20054360

Key	PartNumber	Qty	Description	Comment
-----	------------	-----	-------------	---------

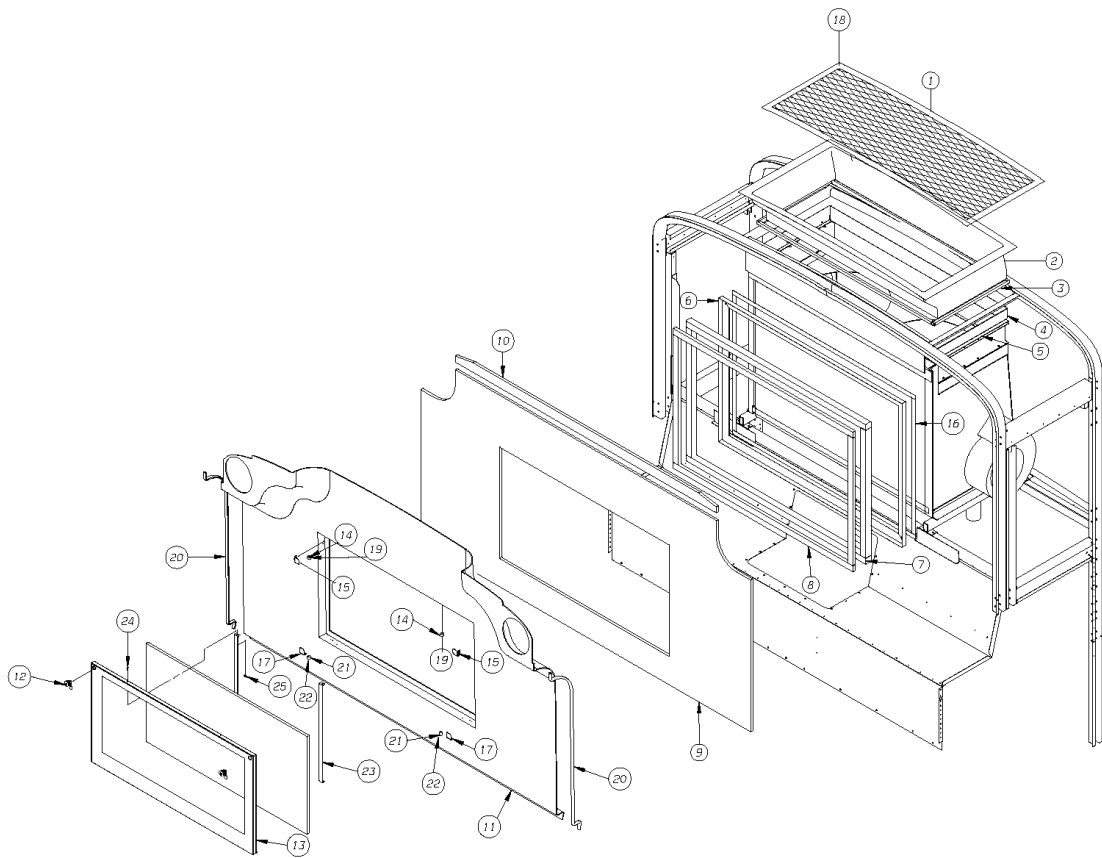


**Models: C4RE
REAR
WITH RM35 CARRIER AIR CONDITIONER**
**With: FEATURE 38102-08
To BSN F20054360**

Key	PartNumber	Qty	Description	Comment
1	0042804		GRILLE,OUTSIDE,RETURN AIR,CARRIER RM35	
2	0038430		SHROUD,UPPER,CARRIER RM35 AIR CNDTNR,	
3	1829704	13	SEAL,RUBBER,CLEAN SEAL G-7056	
4	1936442	2	ADAPTOR,SHROUD,UPPER,TK T2 AC, QB/CS	
5	0621953	8	TAPE,FOAM,1/8X3/4X50FT,CLSD.CELL NEOP.	
6	0042963	2	SEAL,FLANGE,CARRIER RM35 AIR CNDTNR,	
7	1490630	5	FOAM,ADHESIVE BACK,CLOSE	
8	1490622	3	FOAM,ADHESIVE BACK,CLOSE	
9	0042189		PLYWOOD,REAR BULKHEAD WALL,WITH A/C,	
10	0037951		PLYWOOD,UPPER,REAR BULKHEAD WALL, C4RE	
11	0037950		PANEL,BULKHEAD,REAR,RM 35 AIR CONDTRN,	
12	0043598		ROD,PROP,GRILLE,CARRIER RETURN AIR, C4RE	
13	0042100		GRILLE,RETURN AIR,CARRIER RM35, C4RE	
14	0046600		HINGE,STAINLESS,.120 PIN X 2.50 OPEN,46.50	
15	1143676	30	SCREW,10-16 X 3/4, AB,PH1,PAN HD,BLK ZN,	
16	1818012		TAPE,ADHESIVE,VHB 4955,1.00W X.08THK X	
17	1435015	2	NUT,HEX HD,5/16-18,FLANGED,YELLOW	
18	1143684	12	SCREW,1/4-14 X 1,AB,PH1,PAN HD,BLK ZN,SST	
19	1541176	28	SCREW,MACH 1/4-20 X 3/4,PH1,TRUSSHD,	
20	2001345	28	NUT,HEX HD,1/4-20,LOCKING,YELLOW	

Models: C4RE
REAR
WITH RM35 CARRIER AIR CONDITIONER
With: FEATURE 38102-08
BSN: From BSN F20054361

Key	PartNumber	Qty	Description	Comment
-----	------------	-----	-------------	---------



Models: C4RE
REAR
WITH RM35 CARRIER AIR CONDITIONER
With: FEATURE 38102-08
BSN: From BSN F20054361

Key	PartNumber	Qty	Description	Comment
1	0042804		GRILLE,OUTSIDE,RETURN AIR,CARRIER RM35	
2	0038430		SHROUD,UPPER,CARRIER RM35 AIR CNDTNR,	
3	1829704	13	SEAL,RUBBER,CLEAN SEAL G-7056	
4	1936442	2	ADAPTOR,SHROUD,UPPER,TK T2 AC, QB/CS	
5	0621953	8	TAPE,FOAM,1/8X3/4X50FT,CLSD.CELL NEOP.	
6	0042963	2	SEAL,FLANGE,CARRIER RM35 AIR CNDTNR,	
7	1490630	5	FOAM,ADHESIVE BACK,CLOSE	
8	1490622	3	FOAM,ADHESIVE BACK,CLOSE	
9	0042189		PLYWOOD,REAR BULKHEAD WALL,WITH A/C,	
10	0037951		PLYWOOD,UPPER,REAR BULKHEAD WALL, C4RE	
11	0055402		PANEL,BULKHEAD,REAR,RM 35 A/C, C4RE	
12	0043443	2	LATCH,QUAD PNL,SQUARE,SOUTHCO E5-2-085	
13	0055404		PANEL,GRILL,AIR RETURN,INSIDE,A/C, C4RE	
14	1551381	2	BUMPER,.50 X .25,TC ACCESS DOOR	
15	1143676	30	SCREW,10-16 X 3/4, AB,PH1,PAN HD,BLK ZN,	
16	1818012	14	TAPE,ADHESIVE,VHB 4955,1.00W X.08THK X	
17	0052324	4	ANGLE,LATCH,A/C BULKHEAD DOOR, C4RE	
18	1143684	12	SCREW,1/4-14 X 1,AB,PH1,PAN HD,BLK ZN,SST	
19	1563816	2	SCREW,6-32X3/8,F,PH1,OVAL CNSK HD,	
20	1702547	8	TRIM,VINYL,GRAY,DOUBLE LIP,75000321	
21	1486919	2	BUMPER,RUBBER RECESS,.469 X .719 DIA	
22	0527267	2	SCREW,6-20 X 1/2,AB,PH1,PAN HD,YEL ZN	
23	0068037	2	BRACKET,RETAINING,FILTER,RETURN AIR,C4RE	

Models: C4RE
REAR
WITH RM35 CARRIER AIR CONDITIONER
With: FEATURE 38102-08
BSN: From BSN F20054361

Key	PartNumber	Qty	Description	Comment
24	1966837	4	SCREW,MACH,10-32X1/2,PH1,PAN HD,BLK ZN	
25	1629120	4	NUT,WING,10-32	