

**Body**

**310 Structure**

CENTER

2910 MODEL

*To BSN F20055504* \_\_\_\_\_ 1

*From BSN F20055505* \_\_\_\_\_ 2

3505 MODEL

*To BSN F20055504* \_\_\_\_\_ 3

*From BSN F20055505* \_\_\_\_\_ 4

4000 MODEL

*To BSN F20055504* \_\_\_\_\_ 5

*From BSN F20055505* \_\_\_\_\_ 6

DOOR SECTION

*With: FEATURE 31061-01*  
*To BSN F20055504* \_\_\_\_\_ 7

*With: FEATURE 31061-01*  
*From BSN F20055505* \_\_\_\_\_ 8

FLOOR

2910 MODEL

*To BSN F20055504* \_\_\_\_\_ 9

*From BSN F20055505* \_\_\_\_\_ 10

3505 MODEL

*To BSN F20055504* \_\_\_\_\_ 11

*From BSN F20055505* \_\_\_\_\_ 12

4000 MODEL

*To BSN F20055504* \_\_\_\_\_ 13

*From BSN F20055505* \_\_\_\_\_ 14

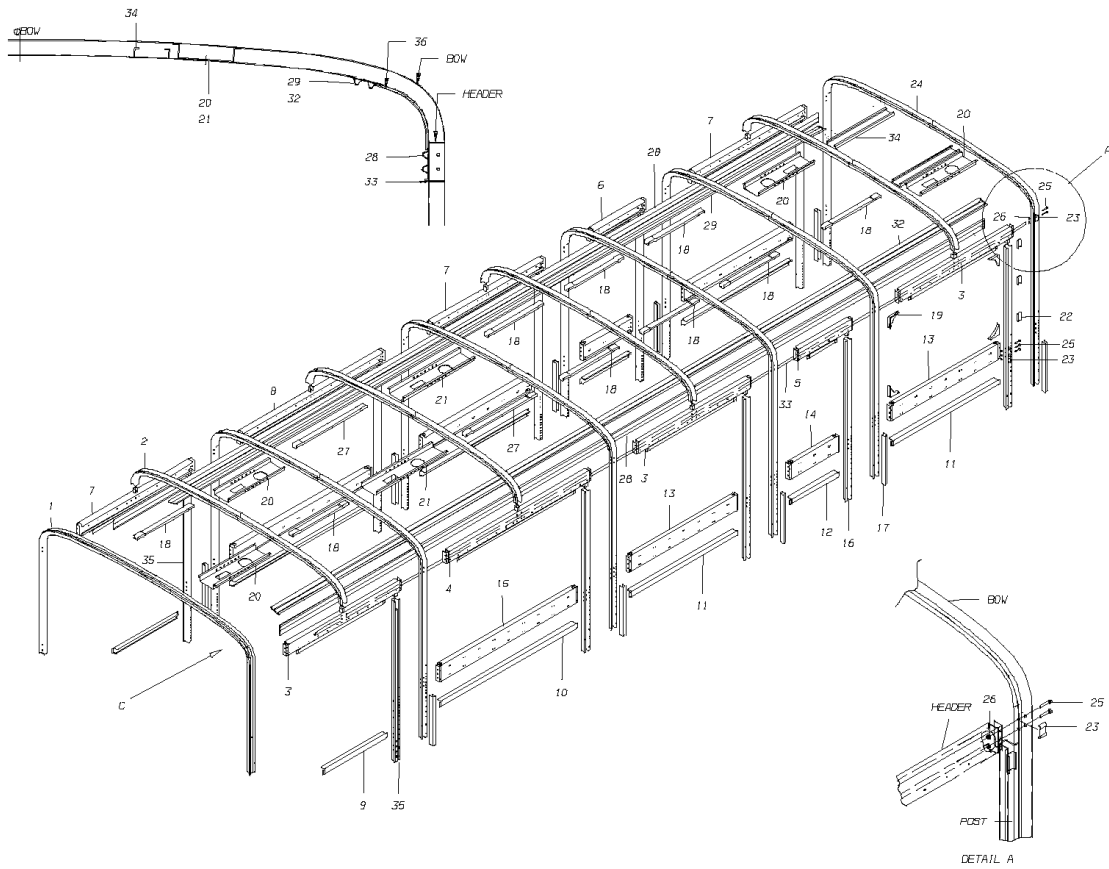
PLYWOOD FLOOR INSTALLATION

\_\_\_\_\_ 15

FRONT	
ASSY	
DRIVER'S PLATFORM & FRONT FLOOR	16
INSTALLATION	17
REAR	
REAR DAVENPORT	19

Models: C4RE  
 CENTER  
 2910 MODEL  
 To BSN F20055504

Key	PartNumber	Qty	Description	Comment
-----	------------	-----	-------------	---------



**Models:** C4RE  
 CENTER  
 2910 MODEL  
 To BSN F20055504

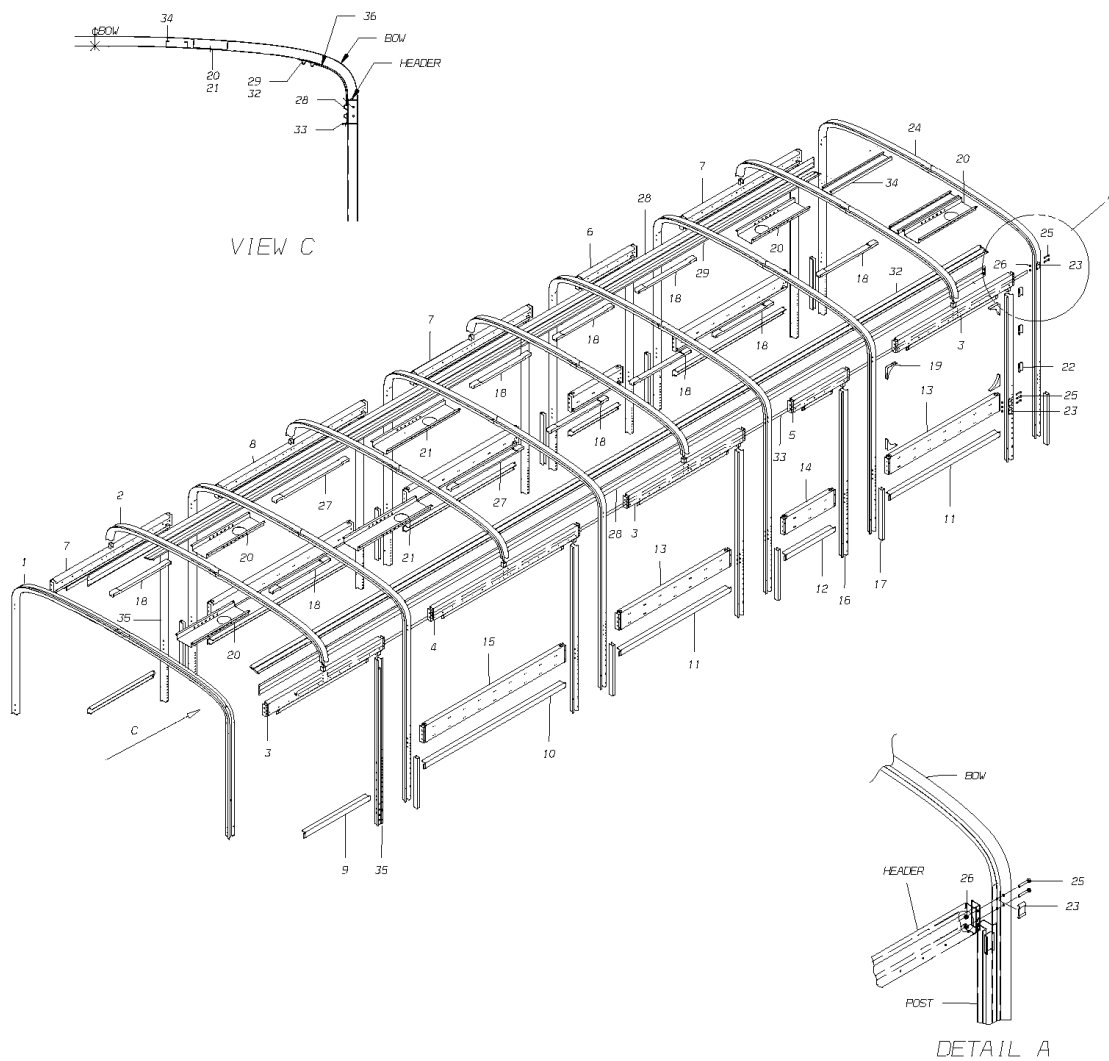
Key	PartNumber	Qty	Description	Comment
1	0044677		BOW ASSY,REAR STRUCTURE,2ND FROM REAR,	
2	0033084	4	BOW,INTERMEDIATE, C4RE	
3	0035593	3	HEADER ASSEMBLY,56.00,RIGHT HAND, C4RE	
4	0035596		HEADER ASSEMBLY,70.00,RIGHT HAND, C4RE	
5	0035591		HEADER ASSEMBLY,28.00,RIGHT HAND, C4RE	
6	0035597		HEADER ASSEMBLY,28.00,LEFT HAND, C4RE	
7	0035599	3	HEADER ASSEMBLY,56.00,LEFT HAND, C4RE	
8	0035601		HEADER ASSEMBLY,70.00,LEFT HAND, C4RE	
9	0038115	2	SUPPORT,OUTSIDE SIDE PANEL,REAR SECT,	
10	0033172	2	SUPPORT,OUTSIDE SIDE PANEL,70.00, C4RE	
11	0033170	4	SUPPORT,OUTSIDE SIDE PANEL,56.00, C4RE	
12	0033168	2	SUPPORT,OUTSIDE SIDE PANEL,28.00, C4RE	
13	0033110	4	BELTBAR,56.00, C4RE	
14	0033108	2	BELTBAR,28.00, C4RE	
15	0033112	2	BELTBAR,70.00, C4RE	
16	0033085	10	POST,DOUBLE BOW, C4RE	
17	0033063	10	INSERT,BOW,LOWER, C4RE	
18	1160878	10	STRINGER,28IN ROOF	
19	0022457	40	GUSSET,WINDOW,REINFORCEMENT, CS	
20	1975226	4	CHANNEL,REINF,STANCHION,28.00,W/CUT-	ENDING WITH BSN F20054984, WITH CUT OUTS
20	0061945	4	CHANNEL,REINF,STANCHION,28.00, C4RE	BEGIN WITH BSN F20054985, WITH CUT OUTS
21	1975234	2	CHANNEL,REINF,STANCHION,35.00,W/CUT-	ENDING WITH BSN F20054984, WITH CUT OUTS

**Models: C4RE  
CENTER  
2910 MODEL  
To BSN F20055504**

Key	PartNumber	Qty	Description	Comment
				<i>WITH CUT OUTS</i>
22	3947884	30	STRAP,REINF,DOUBLE BOW, QB	
23	0305409	32	SPACER,WINDOW HEADER	
24	0033083	5	BOW,102,81 HEADROOM, C4RE	
25	1032309		CAPSCREW,HEX HD,5/16-18X 2,GR 5,YEL ZN	
26	0829390		NUT,HEX HD,5/16-18,SER WASHER,YEL ZN	
27	1160886	2	STRINGER,35IN ROOF	
28	0041437	2	RUB RAIL,334.56, C4RE	<i>WITH FRONT ENTRANCE DOOR ONLY</i>
29	0041436		RUB RAIL,308.25, C4RE	
30	0041428		RUB RAIL,124.56, C4RE	<i>USE WITH FRONT &amp; CENTER DOOR IN PLACE OF 0041437</i>
31	0310144		RUB RAIL,NO 22,154 3/4 IN"	<i>USE WITH FRONT &amp; CENTER DOOR IN PLACE OF 0041437</i>
32	0041438		RUB RAIL,336.25, C4RE	
33	0038143	3	EXTRUSION,AIR CONDITIONING DUCTING,	
34	1629179	2	SUPPORT,ROOF,PARCEL RACK/AIR COND,28.00,	
35	0040400	2	POST ASSY,DOUBLE BOW,REAR STRUCTURE,	
36	0040229	10	PANEL,CLOSEOUT,INNER 71.00, C4RE	
NI	1549211	25	RIVET,CHERRY,SSPVH-204-4	
NI	1589530	22	SCREW,1/4-14 X 3/4,AB,PH1,PAN HD,YEL ZN	

Models: C4RE  
 CENTER  
 2910 MODEL  
 BSN: From BSN F20055505

Key	PartNumber	Qty	Description	Comment
-----	------------	-----	-------------	---------



**Models:** C4RE  
**CENTER**  
**2910 MODEL**  
**BSN:** From BSN F20055505

Key	PartNumber	Qty	Description	Comment
1	0044677		BOW ASSY,REAR STRUCTURE,2ND FROM REAR,	
2	0033084	4	BOW,INTERMEDIATE, C4RE	
3	0035593	3	HEADER ASSEMBLY,56.00,RIGHT HAND, C4RE	
4	0035596		HEADER ASSEMBLY,70.00,RIGHT HAND, C4RE	
5	0035591		HEADER ASSEMBLY,28.00,RIGHT HAND, C4RE	
6	0035597		HEADER ASSEMBLY,28.00,LEFT HAND, C4RE	
7	0035599	3	HEADER ASSEMBLY,56.00,LEFT HAND, C4RE	
8	0035601		HEADER ASSEMBLY,70.00,LEFT HAND, C4RE	
9	0038115	2	SUPPORT,OUTSIDE SIDE PANEL,REAR SECT,	
10	0033172	2	SUPPORT,OUTSIDE SIDE PANEL,70.00, C4RE	
11	0033170	4	SUPPORT,OUTSIDE SIDE PANEL,56.00, C4RE	
12	0033168	2	SUPPORT,OUTSIDE SIDE PANEL,28.00, C4RE	
13	0033110	4	BELTBAR,56.00, C4RE	
14	0033108	2	BELTBAR,28.00, C4RE	
15	0033112	2	BELTBAR,70.00, C4RE	
16	0033085	8	POST,DOUBLE BOW, C4RE	
17	0033063	10	INSERT,BOW,LOWER, C4RE	
18	1160878	9	STRINGER,28IN ROOF	
19	0022457	40	GUSSET,WINDOW,REINFORCEMENT, CS	
20	0061945	4	CHANNEL,REINF,STANCHION,28.00, C4RE	
21	0061947	2	CHANNEL,REINF,STANCHION,35.00, C4RE	
22	3947884	30	STRAP,REINF,DOUBLE BOW, QB	
23	0305409	32	SPACER,WINDOW HEADER	

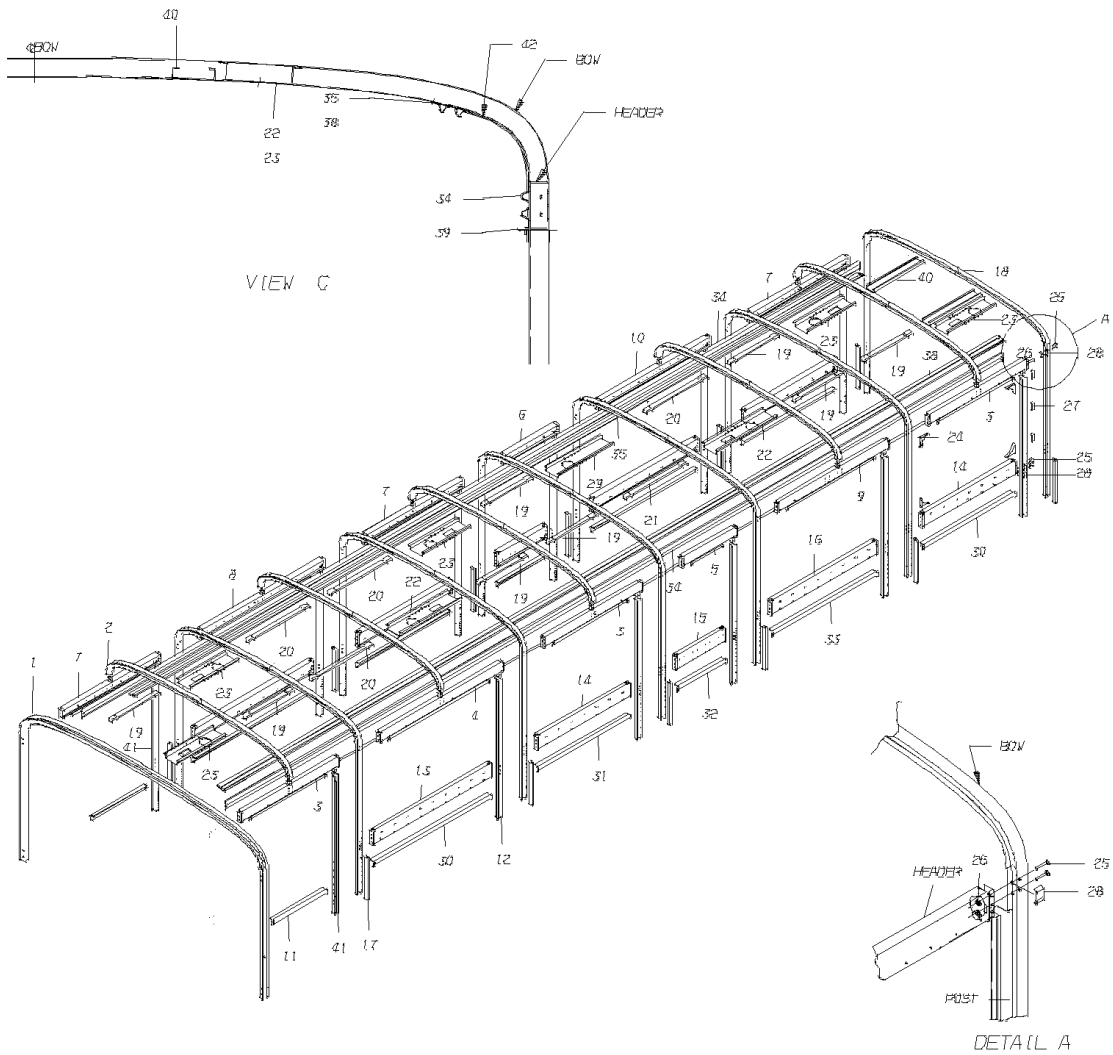
**Models:** C4RE  
**CENTER**  
**2910 MODEL**  
**BSN:** From BSN F20055505

Key	PartNumber	Qty	Description	Comment
24	0033083	5	BOW,102,81 HEADROOM, C4RE	
25	1032309	54	CAPSCREW,HEX HD,5/16-18X 2,GR 5,YEL ZN	
26	0829390	54	NUT,HEX HD,5/16-18,SER WASHER,YEL ZN	
27	1160886	2	STRINGER,35IN ROOF	
28	0054838	2	RUB RAIL,334.56, C4RE	
29	0054836		RUB RAIL,308.25, C4RE	
30	0054829		RUB RAIL,124.56, C4RE	
31	0054831		RUB RAIL,154.75, C4RE	
32	0054839		RUB RAIL,336.25, C4RE	
33	0038143	3	EXTRUSION,AIR CONDITIONING DUCTING,	
34	1629179	2	SUPPORT,ROOF,PARCEL RACK/AIR COND,28.00,	
35	0040400	2	POST ASSY,DOUBLE BOW,REAR STRUCTURE,	
36	0040229	10	PANEL,CLOSEOUT,INNER 71.00, C4RE	



Models: **C4RE  
CENTER  
3505 MODEL  
To BSN F20055504**

Key	PartNumber	Qty	Description	Comment
-----	------------	-----	-------------	---------



**Models:** C4RE  
 CENTER  
 3505 MODEL  
 To BSN F20055504

Key	PartNumber	Qty	Description	Comment
1	0044677		BOW ASSY,REAR STRUCTURE,2ND FROM REAR,	
2	0033084	5	BOW,INTERMEDIATE, C4RE	
3	0035593	3	HEADER ASSEMBLY,56.00,RIGHT HAND, C4RE	
4	0035596		HEADER ASSEMBLY,70.00,RIGHT HAND, C4RE	
5	0035592		HEADER ASSEMBLY,32.00,RIGHT HAND, C4RE	
6	0035598		HEADER ASSEMBLY,32.00,LEFT HAND, C4RE	
7	0035599	3	HEADER ASSEMBLY,56.00,LEFT HAND, C4RE	
8	0035601		HEADER ASSEMBLY,70.00,LEFT HAND, C4RE	
9	0035594		HEADER ASSEMBLY,63.00,RIGHT HAND, C4RE	
10	0035600		HEADER ASSEMBLY,63.00,LEFT HAND, C4RE	
11	0038115	2	SUPPORT,OUTSIDE SIDE PANEL,REAR SECT,	
12	0033085	12	POST,DOUBLE BOW, C4RE	
13	0033112	2	BELTBAR,70.00, C4RE	
14	0033110	4	BELTBAR,56.00, C4RE	
15	0033109	2	BELTBAR,32.00, C4RE	
16	0033111	2	BELTBAR,63.00, C4RE	
17	0033063	12	INSERT,BOW,LOWER, C4RE	
18	0033083	6	BOW,102,81 HEADROOM, C4RE	
19	1160878	9	STRINGER,28IN ROOF	
20	1160886	4	STRINGER,35IN ROOF	
21	1910900		STRINGER,32IN ROOF, C4RE	
22	1975234		CHANNEL,REINF,STANCHION,35.00,W/CUT-	ENDING WITH BSN F20054984, WITH CUT OUTS
22	0061947		CHANNEL,REINF,STANCHION,35.00, C4RE	BEGIN WITH BSN F20054985, WITH CUT OUTS

**Models:** C4RE  
**CENTER**  
**3505 MODEL**  
**To BSN F20055504**

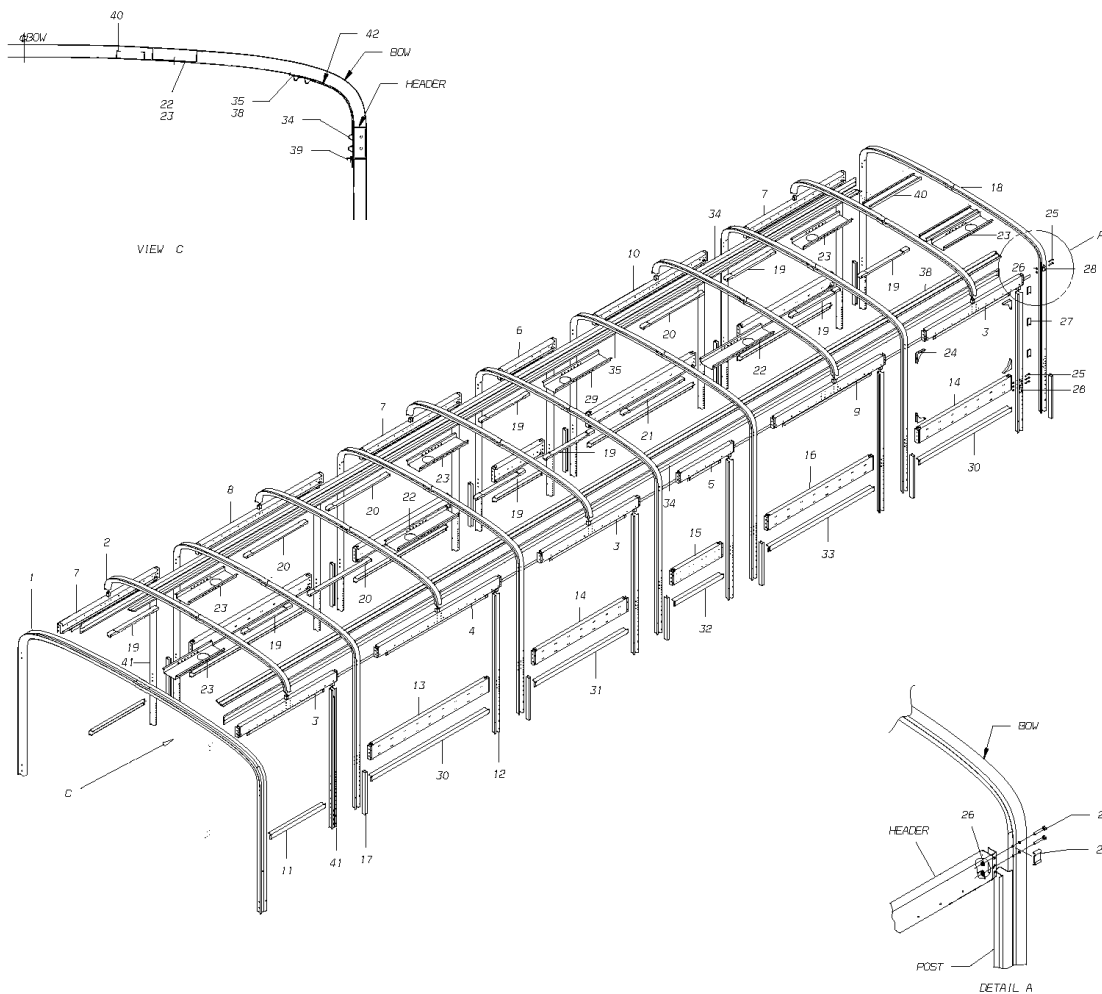
Key	PartNumber	Qty	Description	Comment
23	1975226	5	CHANNEL,REINF,STANCHION,28.00,W/CUT-	<i>ENDING WITH BSN F20054984, WITH CUT OUTS</i>
23	0061945	5	CHANNEL,REINF,STANCHION,28.00, C4RE	<i>BEGIN WITH BSN F20054985, WITH CUT OUTS</i>
24	0022457	24	GUSSET,WINDOW,REINFORCEMENT, CS	
25	1032309		CAPSCREW,HEX HD,5/16-18X 2,GR 5,YEL ZN	
26	0829390		NUT,HEX HD,5/16-18,SER WASHER,YEL ZN	
27	3947884	36	STRAP,REINF,DOUBLE BOW, QB	
28	0305409	36	SPACER,WINDOW HEADER	
29	0039981		CHANNEL,REINFORCEMENT,STANCHION,32.00,	<i>ENDING WITH BSN F20054984</i>
29	0061946		CHANNEL,REINF,STANCHION,32.00, C4RE	<i>BEGIN WITH BSN F20054985</i>
30	0033172	2	SUPPORT,OUTSIDE SIDE PANEL,70.00, C4RE	
31	0033170	2	SUPPORT,OUTSIDE SIDE PANEL,56.00, C4RE	
32	0033169	2	SUPPORT,OUTSIDE SIDE PANEL,32.00, C4RE	
33	0033171	2	SUPPORT,OUTSIDE SIDE PANEL,63.00, C4RE	
34	0041439	2	RUB RAIL,401.56, C4RE	<i>WITH FRONT ENTRANCE DOOR ONLY</i>
35	0020382		RUB RAIL,NO 53.5 CONT,375 1/4 IN	
36	0041431		RUB RAIL,191.56, C4RE	<i>USE WITH FRONT &amp; CENTER DOORS IN PLACE OF 0041439</i>
37	0310144		RUB RAIL,NO 22,154 3/4 IN"	<i>USE WITH FRONT &amp; CENTER DOORS IN PLACE OF 0041439</i>
38	0020386		RUB RAIL,NO 57.5 CONT,403 1/4 IN	
39	0038143		EXTRUSION,AIR CONDITIONING DUCTING,	
40	1629179	2	SUPPORT,ROOF,PARCEL RACK/AIR COND,28.00,	
41	0040400	2	POST ASSY,DOUBLE BOW,REAR STRUCTURE,	
42	0040229	12	PANEL,CLOSEOUT,INNER 71.00, C4RE	

**Models:** C4RE  
CENTER  
3505 MODEL  
To BSN F20055504

Key	PartNumber	Qty	Description	Comment
NI	1589530		SCREW,1/4-14 X 3/4,AB,PH1,PAN HD,YEL ZN	
NI	1549211		RIVET,CHERRY,SSPVH-204-4	

**Models:** C4RE  
**CENTER**  
**3505 MODEL**  
**BSN:** From BSN F20055505

Key	PartNumber	Qty	Description	Comment
-----	------------	-----	-------------	---------



**Models:** C4RE  
**CENTER**  
**3505 MODEL**  
**BSN:** From BSN F20055505

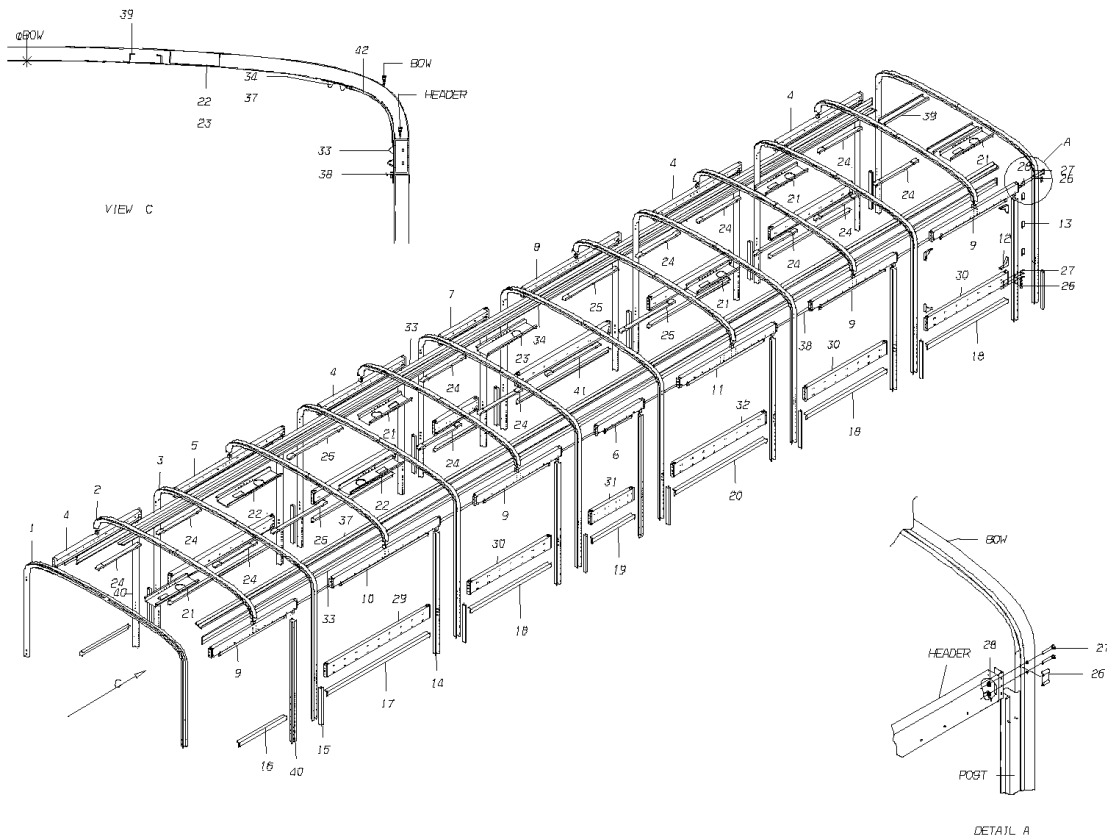
Key	PartNumber	Qty	Description	Comment
1	0044677		BOW ASSY,REAR STRUCTURE,2ND FROM REAR,	
2	0033084	5	BOW,INTERMEDIATE, C4RE	
3	0035593	3	HEADER ASSEMBLY,56.00,RIGHT HAND, C4RE	
4	0035596		HEADER ASSEMBLY,70.00,RIGHT HAND, C4RE	
5	0035592		HEADER ASSEMBLY,32.00,RIGHT HAND, C4RE	
6	0035598		HEADER ASSEMBLY,32.00,LEFT HAND, C4RE	
7	0035599	3	HEADER ASSEMBLY,56.00,LEFT HAND, C4RE	
8	0035601		HEADER ASSEMBLY,70.00,LEFT HAND, C4RE	
9	0035594		HEADER ASSEMBLY,63.00,RIGHT HAND, C4RE	
10	0035600		HEADER ASSEMBLY,63.00,LEFT HAND, C4RE	
11	0038115	2	SUPPORT,OUTSIDE SIDE PANEL,REAR SECT,	
12	0033085	10	POST,DOUBLE BOW, C4RE	
13	0033112	2	BELTBAR,70.00, C4RE	
14	0033110	4	BELTBAR,56.00, C4RE	
15	0033109	2	BELTBAR,32.00, C4RE	
16	0033111	2	BELTBAR,63.00, C4RE	
17	0033063	12	INSERT,BOW,LOWER, C4RE	
18	0033083	6	BOW,102,81 HEADROOM, C4RE	
19	1160878	8	STRINGER,28IN ROOF	
20	1160886		STRINGER,35IN ROOF	
21	1910900		STRINGER,32IN ROOF, C4RE	
22	0061947	2	CHANNEL,REINF,STANCHION,35.00, C4RE	
23	0061945	5	CHANNEL,REINF,STANCHION,28.00, C4RE	

**Models:** C4RE  
**CENTER**  
**3505 MODEL**  
**BSN:** From BSN F20055505

Key	PartNumber	Qty	Description	Comment
24	0022457	24	GUSSET,WINDOW,REINFORCEMENT, CS	
25	1032309	60	CAPSCREW,HEX HD,5/16-18X 2,GR 5,YEL ZN	
26	0829390	60	NUT,HEX HD,5/16-18,SER WASHER,YEL ZN	
27	3947884	36	STRAP,REINF,DOUBLE BOW, QB	
28	0305409	36	SPACER,WINDOW HEADER	
29	0061946		CHANNEL,REINF,STANCHION,32.00, C4RE	
30	0033172	2	SUPPORT,OUTSIDE SIDE PANEL,70.00, C4RE	
31	0033170	4	SUPPORT,OUTSIDE SIDE PANEL,56.00, C4RE	
32	0033169	2	SUPPORT,OUTSIDE SIDE PANEL,32.00, C4RE	
33	0033171	2	SUPPORT,OUTSIDE SIDE PANEL,63.00, C4RE	
34	0054840	2	RUB RAIL,401.56, C4RE	
35	0054849		RUB RAIL,375.25, C4RE	
36	0054832		RUB RAIL,191.56, C4RE	
37	0054831		RUB RAIL,154.75, C4RE	
38	0054850		RUB RAIL,403.25, C4RE	
39	0038143	3.5	EXTRUSION,AIR CONDITIONING DUCTING,	
40	1629179	2	SUPPORT,ROOF,PARCEL RACK/AIR COND,28.00,	
41	0040400	2	POST ASSY,DOUBLE BOW,REAR STRUCTURE,	
42	0040229	12	PANEL,CLOSEOUT,INNER 71.00, C4RE	

Models: **C4RE  
CENTER  
4000 MODEL  
To BSN F20055504**

Key	PartNumber	Qty	Description	Comment
-----	------------	-----	-------------	---------





**Models:** C4RE  
 CENTER  
 4000 MODEL  
 To BSN F20055504

Key	PartNumber	Qty	Description	Comment
1	0044677		BOW ASSY,REAR STRUCTURE,2ND FROM REAR,	
2	0033084	6	BOW,INTERMEDIATE, C4RE	
3	0033083	7	BOW,102,81 HEADROOM, C4RE	
4	0035599	4	HEADER ASSEMBLY,56.00,LEFT HAND, C4RE	
5	0035601		HEADER ASSEMBLY,70.00,LEFT HAND, C4RE	
6	0035592		HEADER ASSEMBLY,32.00,RIGHT HAND, C4RE	
7	0035598		HEADER ASSEMBLY,32.00,LEFT HAND, C4RE	
8	0035600		HEADER ASSEMBLY,63.00,LEFT HAND, C4RE	
9	0035593	4	HEADER ASSEMBLY,56.00,RIGHT HAND, C4RE	
10	0035596		HEADER ASSEMBLY,70.00,RIGHT HAND, C4RE	
11	0035594		HEADER ASSEMBLY,63.00,RIGHT HAND, C4RE	
12	0022457	56	GUSSET,WINDOW,REINFORCEMENT, CS	
13	3947884	42	STRAP,REINF,DOUBLE BOW, QB	
14	0033085	14	POST,DOUBLE BOW, C4RE	
15	0033063	14	INSERT,BOW,LOWER, C4RE	
16	0038115	2	SUPPORT,OUTSIDE SIDE PANEL,REAR SECT,	
17	0033172	2	SUPPORT,OUTSIDE SIDE PANEL,70.00, C4RE	
18	0033170	6	SUPPORT,OUTSIDE SIDE PANEL,56.00, C4RE	
19	0033169	2	SUPPORT,OUTSIDE SIDE PANEL,32.00, C4RE	
20	0033171	2	SUPPORT,OUTSIDE SIDE PANEL,63.00, C4RE	
21	1975226	5	CHANNEL,REINF,STANCHION,28.00,W/CUT-	ENDING WITH BSN F20054984, WITH CUT OUTS
21	0061945	5	CHANNEL,REINF,STANCHION,28.00, C4RE	BEGIN WITH BSN F20054985, WITH CUT OUTS
22	1975234		CHANNEL,REINF,STANCHION,35.00,W/CUT-	

**Models:** C4RE  
**CENTER**  
**4000 MODEL**  
**To BSN F20055504**

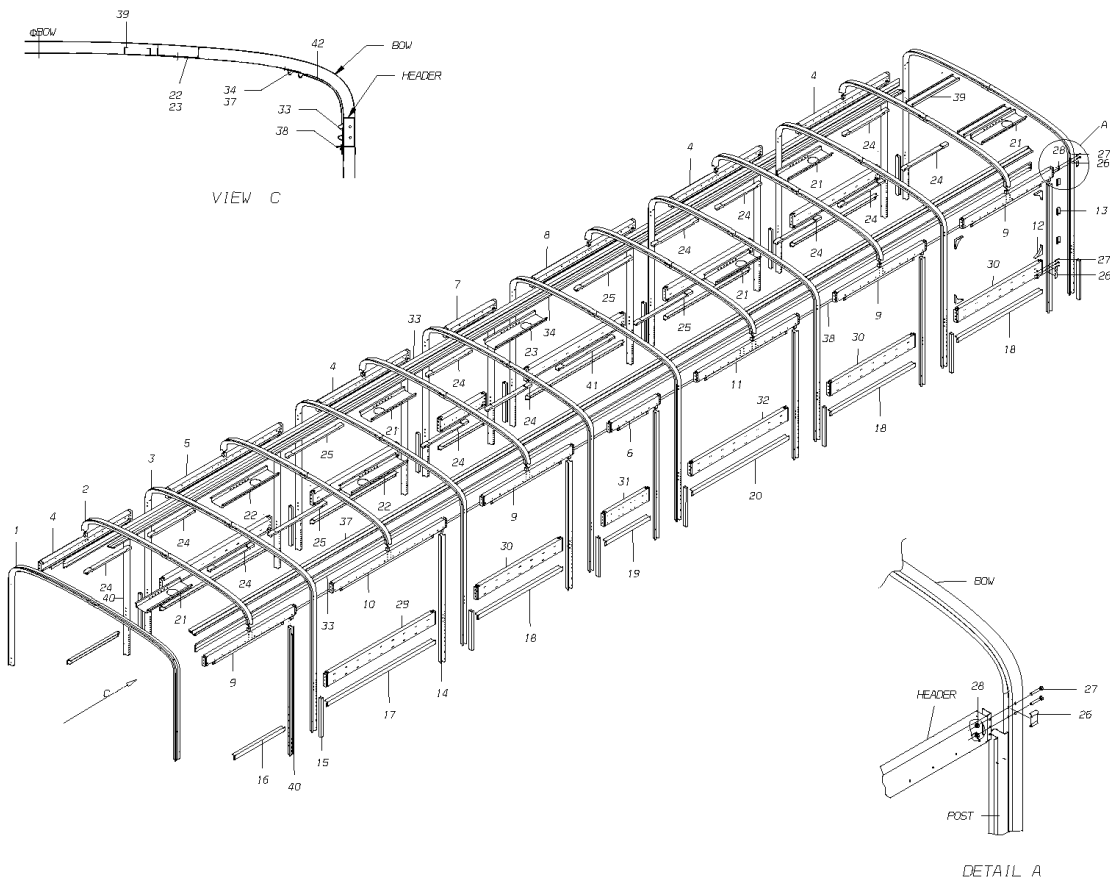
Key	PartNumber	Qty	Description	Comment
22	0061947		CHANNEL,REINF,STANCHION,35.00, C4RE	<i>BEGIN WITH BSN F20054985, WITH CUT OUTS</i>
23	0039981		CHANNEL,REINFORCEMENT,STANCHION,32.00,	<i>ENDING WITH BSN F20054984</i>
23	0061946		CHANNEL,REINF,STANCHION,32.00, C4RE	<i>BEGIN WITH BSN F20054985</i>
24	1160878	13	STRINGER,28IN ROOF	
25	1160886	5	STRINGER,35IN ROOF	
26	0305409	42	SPACER,WINDOW HEADER	
27	1032309		CAPSCREW,HEX HD,5/16-18X 2,GR 5,YEL ZN	
28	0829390		NUT,HEX HD,5/16-18,SER WASHER,YEL ZN	
29	0033112	2	BELTBAR,70.00, C4RE	
30	0033110	6	BELTBAR,56.00, C4RE	
31	0033109	2	BELTBAR,32.00, C4RE	
32	0033111	2	BELTBAR,63.00, C4RE	
33	0041440	2	RUB RAIL,457.56, C4RE	<i>WITH FRONT ENTRANCE DOOR ONLY</i>
34	0020390		RUB RAIL,NO 61.5 CONT,431 1/4 IN	
35	0041434		RUB RAIL,247.56, C4RE	<i>USE WITH FRONT &amp; CENTER DOORS IN PLACE OF 0041440</i>
36	0310144		RUB RAIL,NO 22,154 3/4 IN"	<i>USE WITH FRONT &amp; CENTER DOORS IN PLACE OF 0041440</i>
37	0020394		RUB RAIL,NO 65.5 CONT,459 1/4 IN	
38	0038143	4	EXTRUSION,AIR CONDITIONING DUCTING,	
39	1629179	2	SUPPORT,ROOF,PARCEL RACK/AIR COND,28.00,	
40	0040400	2	POST ASSY,DOUBLE BOW,REAR STRUCTURE,	
41	1910900		STRINGER,32IN ROOF, C4RE	

**Models: C4RE  
CENTER  
4000 MODEL  
To BSN F20055504**

Key	PartNumber	Qty	Description	Comment
42	0040229	14	PANEL,CLOSEOUT,INNER 71.00, C4RE	
NI	1549211		RIVET,CHERRY,SSPVH-204-4	
NI	1589530	22	SCREW,1/4-14 X 3/4,AB,PH1,PAN HD,YEL ZN	

Models: C4RE  
 CENTER  
 4000 MODEL  
 BSN: From BSN F20055505

Key	PartNumber	Qty	Description	Comment
-----	------------	-----	-------------	---------



**Models:** C4RE  
**CENTER**  
**4000 MODEL**  
**BSN:** From BSN F20055505

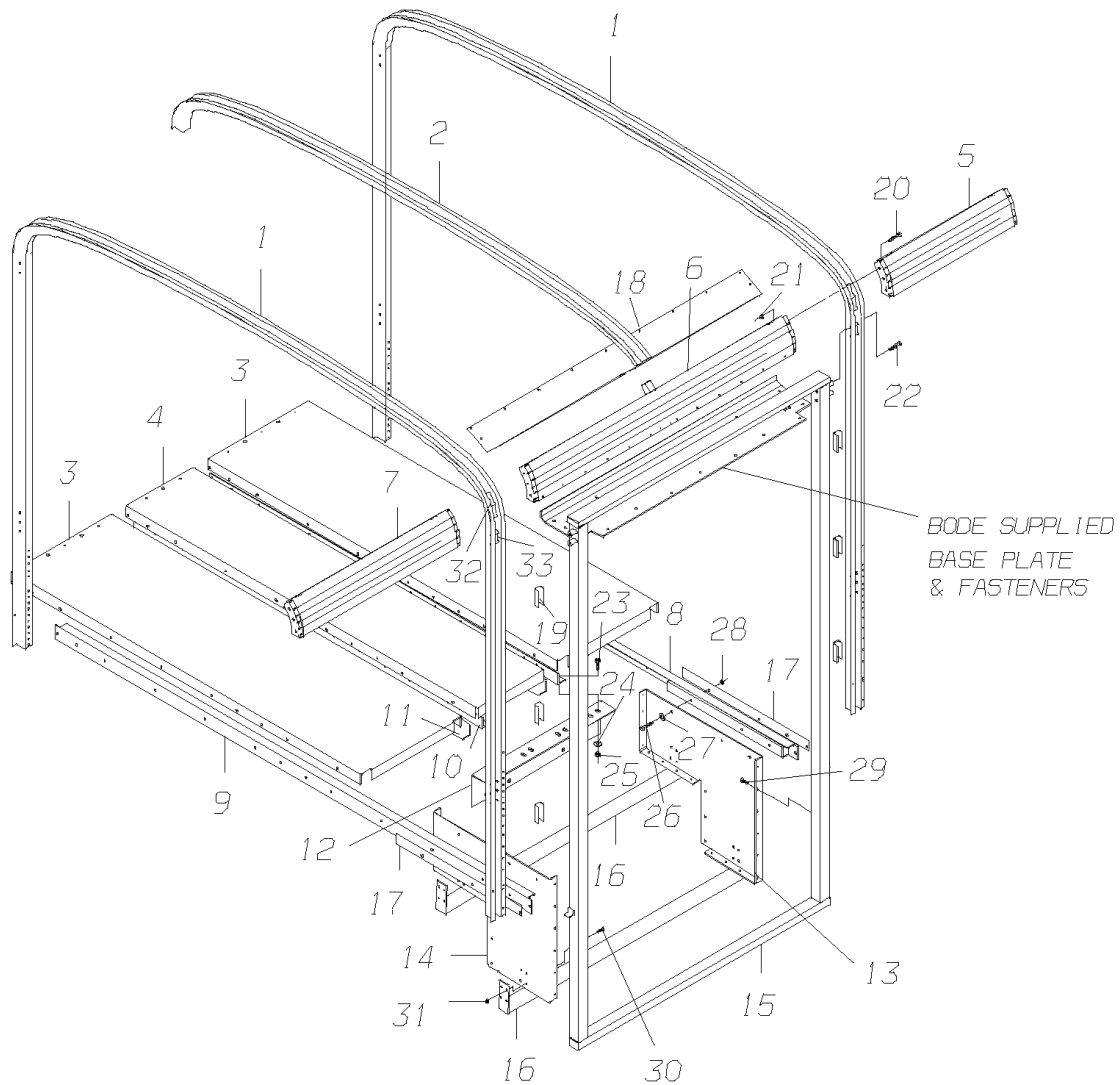
Key	PartNumber	Qty	Description	Comment
1	0044677		BOW ASSY,REAR STRUCTURE,2ND FROM REAR,	
2	0033084	6	BOW,INTERMEDIATE, C4RE	
3	0033083	7	BOW,102,81 HEADROOM, C4RE	
4	0035599	4	HEADER ASSEMBLY,56.00,LEFT HAND, C4RE	
5	0035601		HEADER ASSEMBLY,70.00,LEFT HAND, C4RE	
6	0035592		HEADER ASSEMBLY,32.00,RIGHT HAND, C4RE	
7	0035598		HEADER ASSEMBLY,32.00,LEFT HAND, C4RE	
8	0035600		HEADER ASSEMBLY,63.00,LEFT HAND, C4RE	
9	0035593	4	HEADER ASSEMBLY,56.00,RIGHT HAND, C4RE	
10	0035596		HEADER ASSEMBLY,70.00,RIGHT HAND, C4RE	
11	0035594		HEADER ASSEMBLY,63.00,RIGHT HAND, C4RE	
12	0022457	56	GUSSET,WINDOW,REINFORCEMENT, CS	
13	3947884	42	STRAP,REINF,DOUBLE BOW, QB	
14	0033085	12	POST,DOUBLE BOW, C4RE	
15	0033063	14	INSERT,BOW,LOWER, C4RE	
16	0038115	2	SUPPORT,OUTSIDE SIDE PANEL,REAR SECT,	
17	0033172	2	SUPPORT,OUTSIDE SIDE PANEL,70.00, C4RE	
18	0033170	6	SUPPORT,OUTSIDE SIDE PANEL,56.00, C4RE	
19	0033169	2	SUPPORT,OUTSIDE SIDE PANEL,32.00, C4RE	
20	0033171	2	SUPPORT,OUTSIDE SIDE PANEL,63.00, C4RE	
21	0061945	5	CHANNEL,REINF,STANCHION,28.00, C4RE	
22	0061947		CHANNEL,REINF,STANCHION,35.00, C4RE	
23	0061946		CHANNEL,REINF,STANCHION,32.00, C4RE	

**Models:** C4RE  
**CENTER**  
**4000 MODEL**  
**BSN:** From BSN F20055505

Key	PartNumber	Qty	Description	Comment
24	1160878	12	STRINGER,28IN ROOF	
25	1160886	4	STRINGER,35IN ROOF	
26	0305409	42	SPACER,WINDOW HEADER	
27	1032309	70	CAPSCREW,HEX HD,5/16-18X 2,GR 5,YEL ZN	
28	0829390	70	NUT,HEX HD,5/16-18,SER WASHER,YEL ZN	
29	0033112	2	BELTBAR,70.00, C4RE	
30	0033110	6	BELTBAR,56.00, C4RE	
31	0033109	2	BELTBAR,32.00, C4RE	
32	0033111	2	BELTBAR,63.00, C4RE	
33	0054841	2	RUB RAIL,457.56, C4RE	
34	0054851		RUB RAIL,431.25, C4RE	
35	0054834		RUB RAIL,247.56, C4RE	
36	0054831		RUB RAIL,154.75, C4RE	
37	0054852		RUB RAIL,459.25, C4RE	
38	0038143	4	EXTRUSION,AIR CONDITIONING DUCTING,	
39	1629179	2	SUPPORT,ROOF,PARCEL RACK/AIR COND,28.00,	
40	0040400	2	POST ASSY,DOUBLE BOW,REAR STRUCTURE,	
41	1910900		STRINGER,32IN ROOF, C4RE	
42	0040229	14	PANEL,CLOSEOUT,INNER 71.00, C4RE	

**Models:** C4RE  
**CENTER**  
**DOOR SECTION**  
**With:** FEATURE 31061-01  
 To BSN F20055504

Key	PartNumber	Qty	Description	Comment
-----	------------	-----	-------------	---------



**Models:** C4RE  
**With:** CENTER  
 DOOR SECTION  
 FEATURE 31061-01  
 To BSN F20055504

Key	PartNumber	Qty	Description	Comment
1	0033083	2	BOW,102,81 HEADROOM, C4RE	
2	0035606		BOW,INTERMEDIATE,EXIT DOOR, C4RE	
3	0032633	2	PANEL ASSY,FLR,21,STPWL,EX,DR, C4RE	
4	0032632		PANEL ASSY,FLR,14,STPWL,EX DR, C4RE	
5	0035602		HEADER ASSY,UPPER,FRONT,28.00,EXIT DR,	2910 MODEL
5	0035603		HEADER ASSY,UPPER,FRONT,32.00,EXIT DR,	3505 & 4000 MODEL
6	0035586		HEADER ASSEMBLY,EXIT DOOR, C4RE	
7	0035604		HEADER ASSY,UPPER,REAR,EXIT DOOR, C4RE	
8	0034737		ANGLE ASSY,FLOOR,STPWL SUPPORT,FRONT,	
9	0034738		ANGLE,ASSY,FLOOR,STPWL SUPPORT,REAR,	
10	0035570	2	CROSSMEMBER,BODY BAR ANGLE,FRONT,EX DR	
11	0035571	2	CROSSMEMBER,BODY BAR ANGLE,REAR,EX DR,	
12	0038160		ANGLE,ATTACHING,STEPWELL FLOORS,EX DR,	
13	0034717		PANEL,FRONT,STEPWELL,EXIT DOOR,C4RE	
14	0034718		PANEL,REAR,STEPWELL,EXIT DOOR,C4RE	
15	0034783		FRAME ASSEMBLY,EXIT DOOR, C4RE	
16	1647296	2	BRACE ASSY,LWR STEP,SS STPWL,WITH LIFT	
17	0045538	2	SPACER,FLOOR TO STEPWELL ANGLE ASSY,	
18	0040230		PANEL,INNER,AIR CONDITIONER,EXIT DOOR,	
19	1650555	6	REINFORCEMENT,CENTER DOOR FRAME TO	
20	1032309	6	CAPSCREW,HEX HD,5/16-18X 2,GR 5,YEL ZN	
21	1480433	6	NUT,HEX HD,5/16-18,FLG PRVG TORQ,GR F,	
22	0616748	4	CAPSCREW,HEX HD,5/16-18X2 1/4,GR5,	

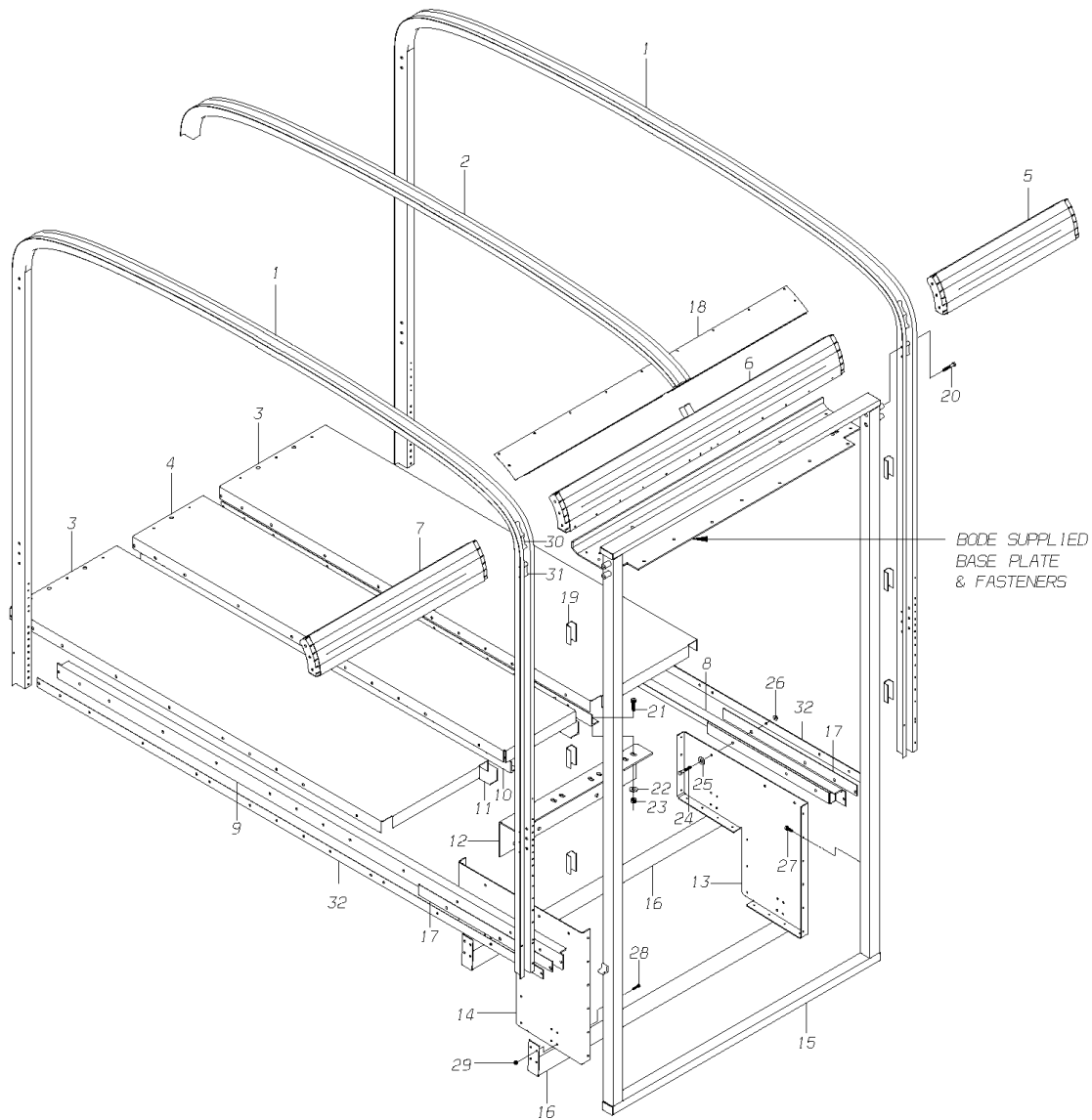


**Models:** C4RE  
**CENTER**  
**DOOR SECTION**  
**With:** FEATURE 31061-01  
**To BSN F20055504**

Key	PartNumber	Qty	Description	Comment
23	0522342	4	CAPSCREW,HEX HD,7/16-20X1 1/2,GR5,	
24	1134097	4	WASHER,FLAT,15/32 X 1 1/8 X 5/64,HDN,BLK	
25	1134105	4	NUT,HEX HD,7/16-20,TOP LOCKING,CADMIUM	
26	0977348	6	CAPSCREW,HEX HD,5/16-18X2 3/4,GR5,	
27	2001055	6	WASHER,FLAT,11/32 X 1 1/4 X 5/32,YEL ZN	
28	1465954	6	NUT,HEX HD,5/16-18,LK,NYLON INSERT,YEL	
29	2000198	12	SCREW,5/16-18 X 1,D,HEX HD,YEL ZN DICH	
30	0870477	16	CAPSCREW,HEX HD,1/4-20 X 1,GR 8,YEL ZN	
31	0659979	16	NUT,HEX,FLANGE SER,1/4-20,BLACK ZINC	
32	0979088	4	SPACER,REINFORCING,BOW WITH INSERT	
33	0305409	2	SPACER,WINDOW HEADER	

**Models:** C4RE  
**CENTER**  
**DOOR SECTION**  
**With:** FEATURE 31061-01  
**BSN:** From BSN F2005505

Key	PartNumber	Qty	Description	Comment
-----	------------	-----	-------------	---------



**Models:** C4RE  
**With:** CENTER  
**BSN:** DOOR SECTION  
**From BSN F20055505**

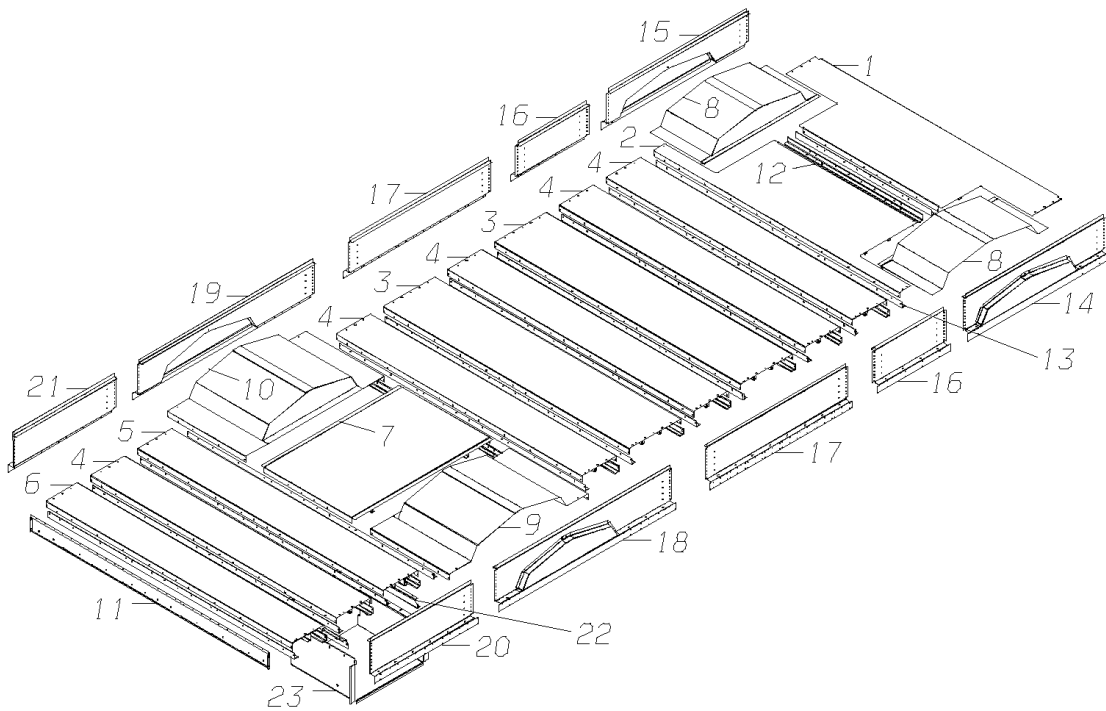
Key	PartNumber	Qty	Description	Comment
1	0033083		BOW,102,81 HEADROOM, C4RE	
2	0035606		BOW,INTERMEDIATE,EXIT DOOR, C4RE	
3	0062776		PANEL ASSY,FLR,21,STPWL,EXIT DR, C4RE	
4	0062774		PANEL ASSY,FLR,14,STPWL,EXIT DR, C4RE	
5	0035602		HEADER ASSY,UPPER,FRONT,28.00,EXIT DR,	
5	0035603		HEADER ASSY,UPPER,FRONT,32.00,EXIT DR,	
6	0035586		HEADER ASSEMBLY,EXIT DOOR, C4RE	
7	0035604		HEADER ASSY,UPPER,REAR,EXIT DOOR, C4RE	
8	0062891		SUPPORT ASSY,FLOOR,STPWL,FRONT, C4RE	
9	0062890		SUPPORT ASSY,FLOOR,STPWL,REAR, C4RE	
10	0055652		CROSSMEMBER,BODY BAR ANGLE,FRONT,EX DR	
11	0055653		CROSSMEMBER,BODY BAR ANGLE,REAR,EX DR,	
12	0038160		ANGLE,ATTACHING,STEPWELL FLOORS,EX DR,	
13	0034717		PANEL,FRONT,STEPWELL,EXIT DOOR,C4RE	
14	0034718		PANEL,REAR,STEPWELL,EXIT DOOR,C4RE	
15	0034783		FRAME ASSEMBLY,EXIT DOOR, C4RE	
16	1647296		BRACE ASSY,LWR STEP,SS STPWL,WITH LIFT	
17	0062979		SPACER,FLOOR TO STPWL ANGLE ASSEMBLY,	
18	0040230		PANEL,INNER,AIR CONDITIONER,EXIT DOOR,	
19	1650555		REINFORCEMENT,CENTER DOOR FRAME TO	
20	0616748		CAPSCREW,HEX HD,5/16-18X2 1/4,GR5,	
21	0522342		CAPSCREW,HEX HD,7/16-20X1 1/2,GR5,	
22	1134097		WASHER,FLAT,15/32 X 1 1/8 X 5/64,HDN,BLK	

**Models:** C4RE  
CENTER  
DOOR SECTION  
**With:** FEATURE 31061-01  
**BSN:** From BSN F20055505

Key	PartNumber	Qty	Description	Comment
23	1134105		NUT,HEX HD,7/16-20,TOP LOCKING,CADMIUM	
24	0977348		CAPSCREW,HEX HD,5/16-18X2 3/4,GR5,	
25	2001055		WASHER,FLAT,11/32 X 1 1/4 X 5/32,YEL ZN	
26	1465954		NUT,HEX HD,5/16-18,LK,NYLON INSERT,YEL	
27	2000198		SCREW,5/16-18 X 1,D,HEX HD,YEL ZN DICH	
28	0870477		CAPSCREW,HEX HD,1/4-20 X 1,GR 8,YEL ZN	
29	0659979		NUT,HEX,FLANGE SER,1/4-20,BLACK ZINC	
30	0979088		SPACER,REINFORCING,BOW WITH INSERT	
31	0305409		SPACER,WINDOW HEADER	
32	0062977		CROSSMEMBER,BODY BAR,EXIT DR, C4RE	
NI	0038139		STEPWELL ASSY,EXIT DOOR,WITHOUT LIFT,	<i>WITHOUT LIFT</i>
NI	1549211		RIVET,CHERRY,SSPVH-204-4	

Models: C4RE  
 FLOOR  
 2910 MODEL  
 To BSN F20055504

Key	PartNumber	Qty	Description	Comment
-----	------------	-----	-------------	---------



**Models:** C4RE  
 FLOOR  
 2910 MODEL  
 To BSN F20055504

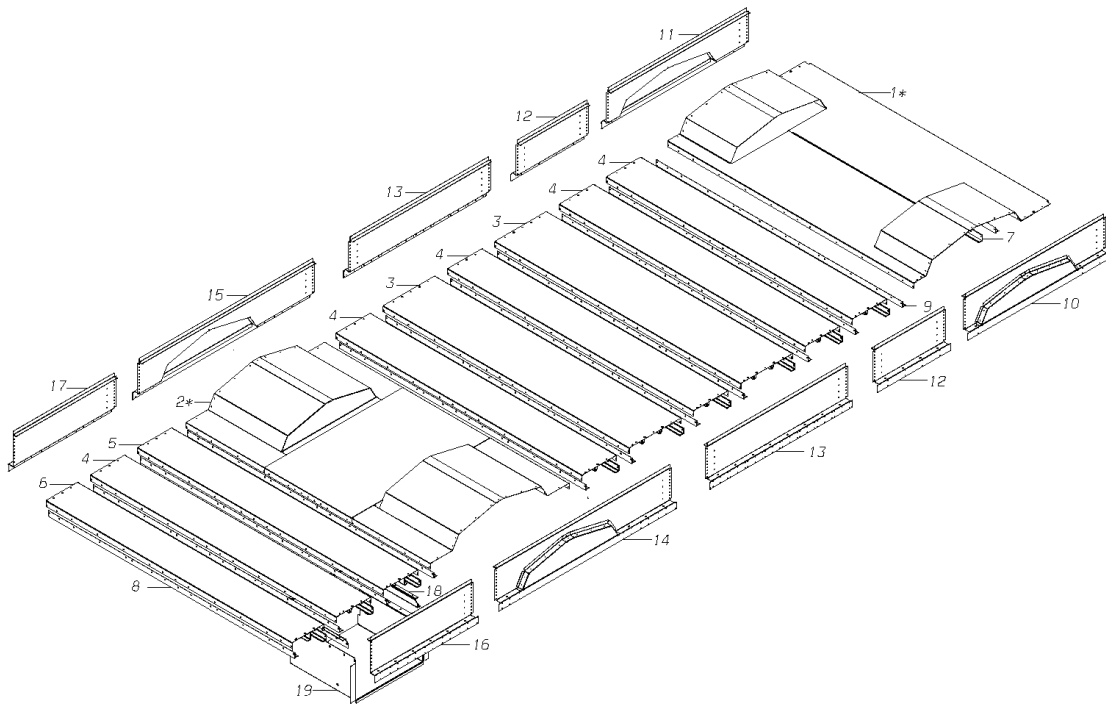
Key	PartNumber	Qty	Description	Comment
1	0032625		PANEL ASSY,NO.2 FLOOR,28 SECTION, C4RE	
2	0032626		PANEL ASSY,NO.3 FLOOR,28 SECTION, C4RE	
3	0032628		PANEL ASSY,FLOOR,21, C4RE	
4	0032630	5	PANEL ASSY,FLOOR,14, C4RE	
5	0032627		PANEL ASSY,FLOOR,14,SLIDE OUT BAT BOX,	
6	0032629		PANEL ASSY,FLOOR,12.89, C4RE	
7	1053008		PANEL ASSY,W/H,CTR FLOOR,ZINC	
8	1669324	2	WHEELHOUSE ASSY,FRONT, QB	
9	0035420		WHEELHOUSE ASSY,REAR,RIGHT HAND, C4RE	
10	0035421		WHEELHOUSE ASSY,REAR,LEFT HAND, C4RE	
11	0037436		CHANNEL,REINFORCEMENT,REAR FLOOR, C4RE	
12	0032664	2	CROSSMEMBER,BODY BAR ANGLE,W/H,FRONT,	
13	0034920	21	CROSSMEMBER,BODY BAR ANGLE, C4RE	
14	0038099		GUSSET ASSEMBLY,W/H FLOOR,RH,FRONT,	
15	0038103		GUSSET ASSEMBLY,W/H FLOOR,LH,FRONT,	
16	0037478	2	GUSSET,FLOOR,28.00, C4RE	
17	0037480	2	GUSSET,FLOOR,56.00, C4RE	
18	0038104		GUSSET ASSEMBLY,W/H FLOOR,RH,REAR, C4RE	
19	0038105		GUSSET ASSEMBLY,W/H FLOOR,LH,REAR, C4RE	
20	0037440		GUSSET,FLOOR,REAR SECTION,RIGHT HAND,	
21	0043646		GUSSET,FLOOR,REAR SECTION,LEFT HAND,	
22	0034722		BRACKET,MTG,BATTERY BOX, C4RE	
23	0035824		BOX ASSY,BATTERY,HEAVY DUTY	

**Models:** C4RE  
FLOOR  
2910 MODEL  
To BSN F20055504

Key	PartNumber	Qty	Description	Comment
24	0610725		CAPSCREW,HEX HD,5/16-18X1 1/4,GR8,	
25	0829390		NUT,HEX HD,5/16-18,SER WASHER,YEL ZN	
26	0990325		BOLT,LOCK,COLLAR	
27	0990333		BOLT,LOCK PIN	

**Models:** C4RE  
**FLOOR**  
**2910 MODEL**  
**BSN:** From BSN F20055505

Key	PartNumber	Qty	Description	Comment
-----	------------	-----	-------------	---------





**Models:** C4RE  
**FLOOR**  
**2910 MODEL**  
**BSN:** From BSN F20055505

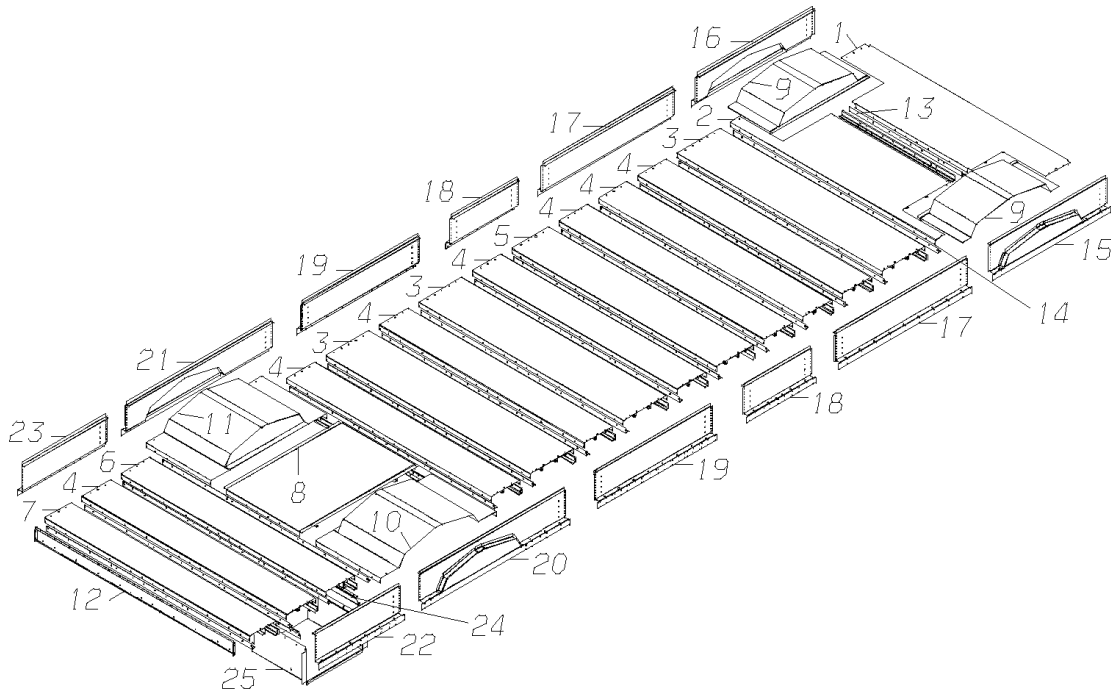
Key	PartNumber	Qty	Description	Comment
1	0062859		FLOOR ASSY,W/H,FRT, C4RE	STANDARD
1	0062812		FLOOR ASSY,W/H,FRT,STAINLESS STEEL, C4RE	FEATURE 30960-03. STAINLESS STEEL
2	0062789		FLOOR ASSY,W/H,REAR, C4RE	STANDARD
2	0062809		FLOOR ASSY,W/H,REAR,STAINLESS STEEL,	FEATURE 30960-03. STAINLESS STEEL
3	0062759		PANEL ASSY,FLOOR,21 INCH, C4RE	
4	0062813	5	PANEL ASSY,FLOOR,14.00, C4RE	
5	0062815		PANEL ASSY,FLOOR,14,SLIDEOUT BAT BOX,	
6	0062629		SEAT,CEW,SSS,36,BURG#8,TRK,CR,K,UCRA	
7	0054790	2	CROSSMEMBER,BODY BAR ANGLE,W/H,FRONT,	
8	0054791		CROSSMEMBER,BODY BAR ANGLE,DAVENPORT,	
9	0054773	10	CROSSMEMBER,BODY BAR ANGLE, C4RE	
10	0038099		GUSSET ASSEMBLY,W/H FLOOR,RH,FRONT,	
11	0038103		GUSSET ASSEMBLY,W/H FLOOR,LH,FRONT,	
12	0037478	2	GUSSET,FLOOR,28.00, C4RE	
13	0037480	2	GUSSET,FLOOR,56.00, C4RE	
14	0038104		GUSSET ASSEMBLY,W/H FLOOR,RH,REAR, C4RE	
15	0038105		GUSSET ASSEMBLY,W/H FLOOR,LH,REAR, C4RE	
16	0037440		GUSSET,FLOOR,REAR SECTION,RIGHT HAND,	
17	0043646		GUSSET,FLOOR,REAR SECTION,LEFT HAND,	
18	0034722		BRACKET,MTG,BATTERY BOX, C4RE	
19	0050908		BOX ASSY,BATTERY,HEAVY DUTY, C4RE	
NI	0610725		CAPSCREW,HEX HD,5/16-18X1 1/4,GR8,	
NI	0829390		NUT,HEX HD,5/16-18,SER WASHER,YEL ZN	

**Models:** C4RE  
FLOOR  
2910 MODEL  
**BSN:** From BSN F20055505

Key	PartNumber	Qty	Description	Comment
NI	0990325		BOLT,LOCK,COLLAR	
NI	0990333		BOLT,LOCK PIN	

Models: C4RE  
 FLOOR  
 3505 MODEL  
 To BSN F20055504

Key	PartNumber	Qty	Description	Comment
-----	------------	-----	-------------	---------



**Models: C4RE  
FLOOR  
3505 MODEL  
To BSN F20055504**

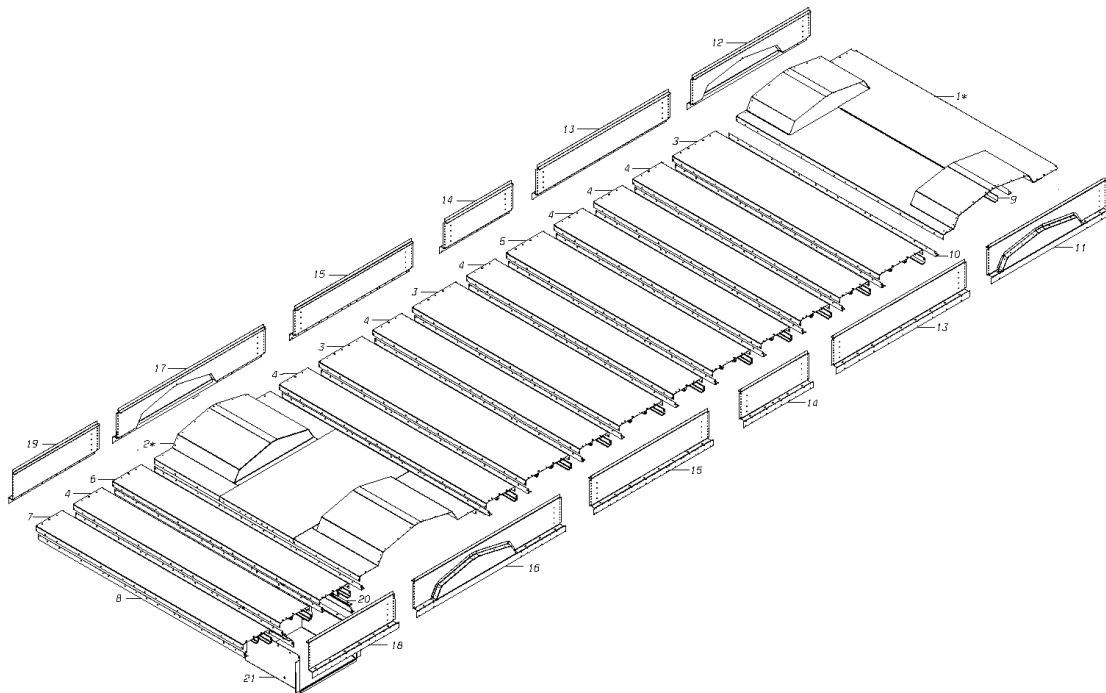
Key	PartNumber	Qty	Description	Comment
1	0032625		PANEL ASSY,NO.2 FLOOR,28 SECTION, C4RE	
2	0032626		PANEL ASSY,NO.3 FLOOR,28 SECTION, C4RE	
3	0032628	3	PANEL ASSY,FLOOR,21, C4RE	
4	0032630	7	PANEL ASSY,FLOOR,14, C4RE	
5	0032631		PANEL ASSY,FLOOR,18.00, C4RE	
6	0032627		PANEL ASSY,FLOOR,14,SLIDE OUT BAT BOX,	
7	0032629		PANEL ASSY,FLOOR,12.89, C4RE	
8	1053008		PANEL ASSY,W/H,CTR FLOOR,ZINC	
9	1669324	2	WHEELHOUSE ASSY,FRONT, QB	
10	0035420		WHEELHOUSE ASSY,REAR,RIGHT HAND, C4RE	
11	0035421		WHEELHOUSE ASSY,REAR,LEFT HAND, C4RE	
12	0037436		CHANNEL,REINFORCEMENT,REAR FLOOR, C4RE	
13	0032664	2	CROSSMEMBER,BODY BAR ANGLE,W/H,FRONT,	
14	0034920	29	CROSSMEMBER,BODY BAR ANGLE, C4RE	
15	0038099		GUSSET ASSEMBLY,W/H FLOOR,RH,FRONT,	
16	0038103		GUSSET ASSEMBLY,W/H FLOOR,LH,FRONT,	
17	0037481	2	GUSSET,FLOOR,63.00, C4RE	
18	0037479	2	GUSSET,FLOOR,32.00, C4RE	
19	0037480	2	GUSSET,FLOOR,56.00, C4RE	
20	0038104		GUSSET ASSEMBLY,W/H FLOOR,RH,REAR, C4RE	
21	0038105		GUSSET ASSEMBLY,W/H FLOOR,LH,REAR, C4RE	
22	0037440		GUSSET,FLOOR,REAR SECTION,RIGHT HAND,	
23	0043646		GUSSET,FLOOR,REAR SECTION,LEFT HAND,	

**Models:** C4RE  
 FLOOR  
 3505 MODEL  
 To BSN F20055504

Key	PartNumber	Qty	Description	Comment
24	0034722		BRACKET,MTG,BATTERY BOX, C4RE	
25	0035824		BOX ASSY,BATTERY,HEAVY DUTY	<i>ENDING WITH BSN F20049794</i>
25	0050908		BOX ASSY,BATTERY,HEAVY DUTY, C4RE	<i>BEGIN WITH BSN F20049795</i>
26	0610725		CAPSCREW,HEX HD,5/16-18X1 1/4,GR8,	
27	0829390		NUT,HEX HD,5/16-18,SER WASHER,YEL ZN	
28	0990325		BOLT,LOCK,COLLAR	
29	0990333		BOLT,LOCK PIN	

**Models:** C4RE  
**FLOOR**  
**3505 MODEL**  
**BSN:** From BSN F20055505

Key	PartNumber	Qty	Description	Comment
-----	------------	-----	-------------	---------



**Models:** C4RE  
**FLOOR**  
**3505 MODEL**  
**BSN:** From BSN F20055505

Key	PartNumber	Qty	Description	Comment
1	0062859		FLOOR ASSY,W/H,FRT, C4RE	STANDARD
1	0062812		FLOOR ASSY,W/H,FRT,STAINLESS STEEL, C4RE	FEATURE 30960-03. STAINLESS STEEL
2	0062789		FLOOR ASSY,W/H,REAR, C4RE	STANDARD
2	0062809		FLOOR ASSY,W/H,REAR,STAINLESS STEEL,	FEATURE 30960-03. STAINLESS STEEL
3	0062759	3	PANEL ASSY,FLOOR,21 INCH, C4RE	
4	0062813	7	PANEL ASSY,FLOOR,14.00, C4RE	
5	0062762		PANEL ASSY,FLOOR,18.00 INCH, C4RE	
6	0062815		PANEL ASSY,FLOOR,14,SLIDEOUT BAT BOX,	
7	0062761		PANEL ASSY,FLOOR,12.89 INCH, C4RE	
8	0054791		CROSSMEMBER,BODY BAR ANGLE,DAVENPORT,	
9	0054790	2	CROSSMEMBER,BODY BAR ANGLE,W/H,FRONT,	
10	0054773	28	CROSSMEMBER,BODY BAR ANGLE, C4RE	
11	0038099		GUSSET ASSEMBLY,W/H FLOOR,RH,FRONT,	
12	0038103		GUSSET ASSEMBLY,W/H FLOOR,LH,FRONT,	
13	0037481	2	GUSSET,FLOOR,63.00, C4RE	
14	0037479	2	GUSSET,FLOOR,32.00, C4RE	
15	0037480	2	GUSSET,FLOOR,56.00, C4RE	
16	0038104		GUSSET ASSEMBLY,W/H FLOOR,RH,REAR, C4RE	
17	0038105		GUSSET ASSEMBLY,W/H FLOOR,LH,REAR, C4RE	
18	0037440		GUSSET,FLOOR,REAR SECTION,RIGHT HAND,	
19	0043646		GUSSET,FLOOR,REAR SECTION,LEFT HAND,	
20	0034722		BRACKET,MTG,BATTERY BOX, C4RE	
21	0050908		BOX ASSY,BATTERY,HEAVY DUTY, C4RE	

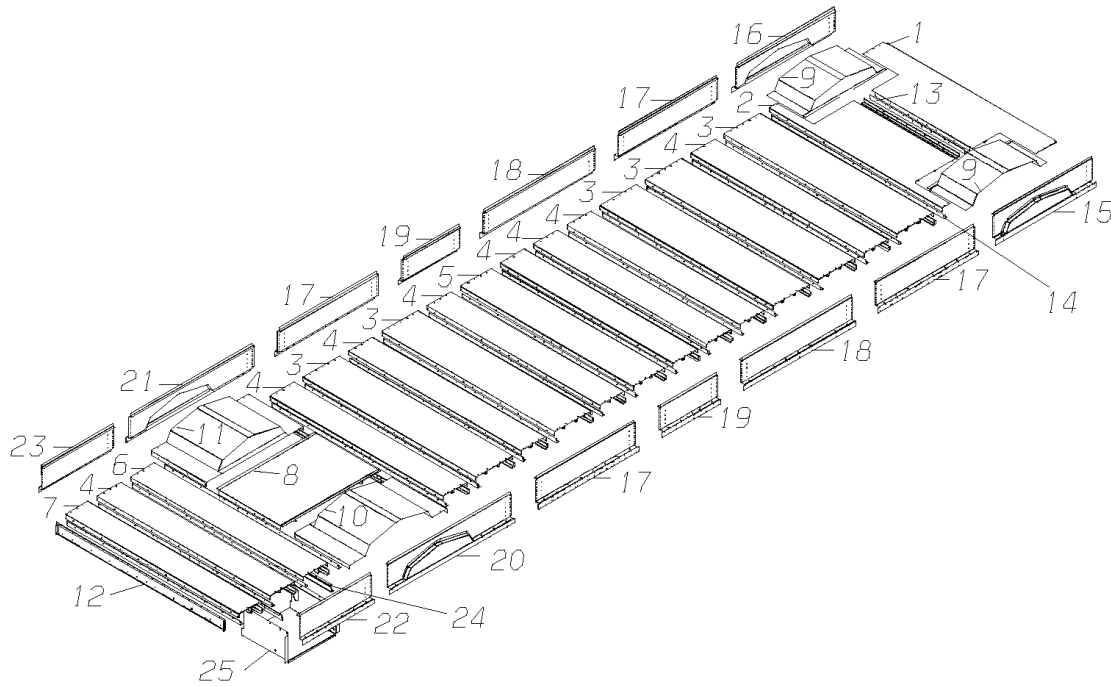
**Models:** C4RE  
**FLOOR**  
**3505 MODEL**  
**BSN:** From BSN F20055505

Key	PartNumber	Qty	Description	Comment
NI	0610725		CAPSCREW,HEX HD,5/16-18X1 1/4,GR8,	
NI	0829390		NUT,HEX HD,5/16-18,SER WASHER,YEL ZN	
NI	0990325		BOLT,LOCK,COLLAR	
NI	0990333		BOLT,LOCK PIN	
NI	0862953		SEALANT,SCHNEE-MOREHEAD 5522,VINYL	
NI	2002707		SEALANT,BEAD,1/8 IN,NO 5212	



Models: C4RE  
 FLOOR  
 4000 MODEL  
 To BSN F20055504

Key	PartNumber	Qty	Description	Comment
-----	------------	-----	-------------	---------



**Models:** C4RE  
 FLOOR  
 4000 MODEL  
 To BSN F20055504

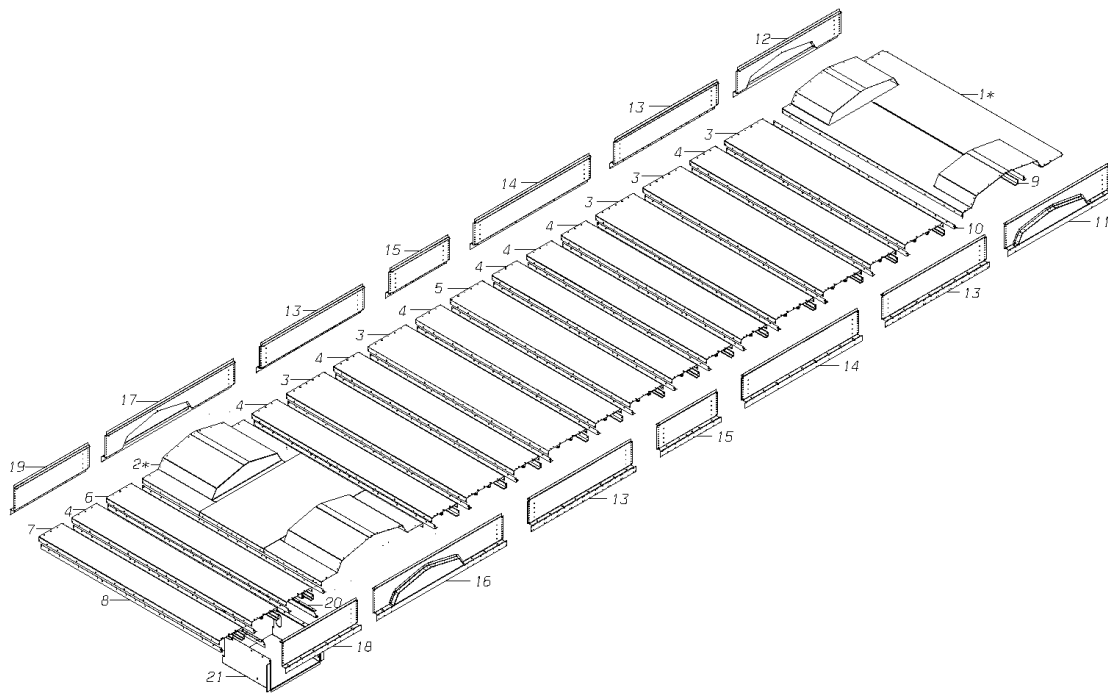
Key	PartNumber	Qty	Description	Comment
1	0032625		PANEL ASSY,NO.2 FLOOR,28 SECTION, C4RE	
2	0032626		PANEL ASSY,NO.3 FLOOR,28 SECTION, C4RE	
3	0032628	5	PANEL ASSY,FLOOR,21, C4RE	
4	0032630	8	PANEL ASSY,FLOOR,14, C4RE	
5	0032631		PANEL ASSY,FLOOR,18.00, C4RE	
6	0032627		PANEL ASSY,FLOOR,14,SLIDE OUT BAT BOX,	
7	0032629		PANEL ASSY,FLOOR,12.89, C4RE	
8	1053008		PANEL ASSY,W/H,CTR FLOOR,ZINC	
9	1669324	2	WHEELHOUSE ASSY,FRONT, QB	
10	0035420		WHEELHOUSE ASSY,REAR,RIGHT HAND, C4RE	
11	0035421		WHEELHOUSE ASSY,REAR,LEFT HAND, C4RE	
12	0037436		CHANNEL,REINFORCEMENT,REAR FLOOR, C4RE	
13	0032664	2	CROSSMEMBER,BODY BAR ANGLE,W/H,FRONT,	
14	0034920	35	CROSSMEMBER,BODY BAR ANGLE, C4RE	
15	0038099		GUSSET ASSEMBLY,W/H FLOOR,RH,FRONT,	
16	0038103		GUSSET ASSEMBLY,W/H FLOOR,LH,FRONT,	
17	0037480	4	GUSSET,FLOOR,56.00, C4RE	
18	0037481	2	GUSSET,FLOOR,63.00, C4RE	
19	0037479	2	GUSSET,FLOOR,32.00, C4RE	
20	0038104		GUSSET ASSEMBLY,W/H FLOOR,RH,REAR, C4RE	
21	0038105		GUSSET ASSEMBLY,W/H FLOOR,LH,REAR, C4RE	
22	0037440		GUSSET,FLOOR,REAR SECTION,RIGHT HAND,	
23	0043646		GUSSET,FLOOR,REAR SECTION,LEFT HAND,	

**Models: C4RE  
FLOOR  
4000 MODEL  
To BSN F20055504**

Key	PartNumber	Qty	Description	Comment
24	0034722		BRACKET,MTG,BATTERY BOX, C4RE	
25	0035824		BOX ASSY,BATTERY,HEAVY DUTY	
26	0610725		CAPSCREW,HEX HD,5/16-18X1 1/4,GR8,	
27	0829390		NUT,HEX HD,5/16-18,SER WASHER,YEL ZN	
28	0990325		BOLT,LOCK,COLLAR	
29	0990333		BOLT,LOCK PIN	

**Models:** C4RE  
FLOOR  
4000 MODEL  
**BSN:** From BSN F20055505

Key	PartNumber	Qty	Description	Comment
-----	------------	-----	-------------	---------



**Models:** C4RE  
**FLOOR**  
**4000 MODEL**  
**BSN:** From BSN F20055505

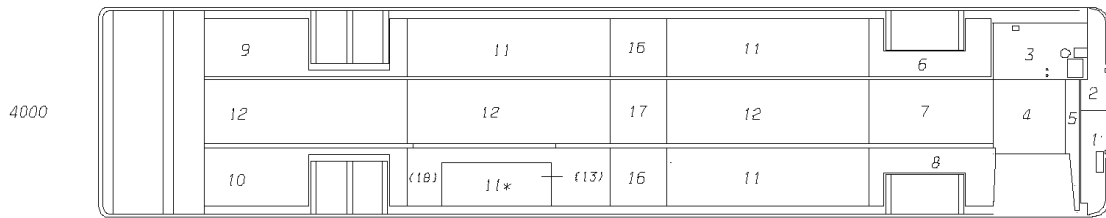
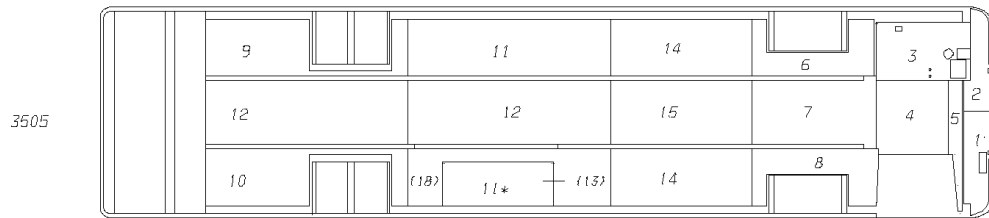
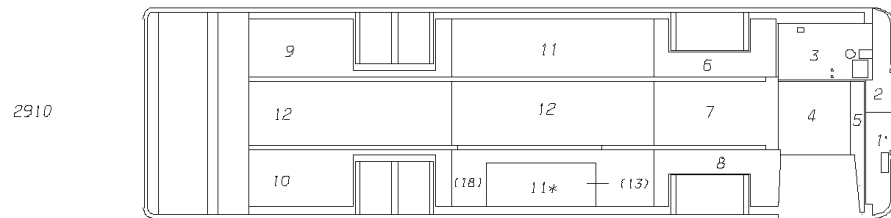
Key	PartNumber	Qty	Description	Comment
1	0062859		FLOOR ASSY,W/H,FRT, C4RE	STANDARD
1	0062812		FLOOR ASSY,W/H,FRT,STAINLESS STEEL, C4RE	FEATURE 30960-03. STAINLESS STEEL
2	0062789		FLOOR ASSY,W/H,REAR, C4RE	STANDARD
2	0062809		FLOOR ASSY,W/H,REAR,STAINLESS STEEL,	FEATURE 30960-03. STAINLESS STEEL
3	0062759	5	PANEL ASSY,FLOOR,21 INCH, C4RE	
4	0062813	8	PANEL ASSY,FLOOR,14.00, C4RE	
5	0062762		PANEL ASSY,FLOOR,18.00 INCH, C4RE	
6	0062815		PANEL ASSY,FLOOR,14,SLIDEOUT BAT BOX,	
7	0062761		PANEL ASSY,FLOOR,12.89 INCH, C4RE	
8	0054791		CROSSMEMBER,BODY BAR ANGLE,DAVENPORT,	
9	0054790	2	CROSSMEMBER,BODY BAR ANGLE,W/H,FRONT,	
10	0054773	34	CROSSMEMBER,BODY BAR ANGLE, C4RE	
11	0038099		GUSSET ASSEMBLY,W/H FLOOR,RH,FRONT,	
12	0038103		GUSSET ASSEMBLY,W/H FLOOR,LH,FRONT,	
13	0037480	4	GUSSET,FLOOR,56.00, C4RE	
14	0037481	2	GUSSET,FLOOR,63.00, C4RE	
15	0037479	2	GUSSET,FLOOR,32.00, C4RE	
16	0038104		GUSSET ASSEMBLY,W/H FLOOR,RH,REAR, C4RE	
17	0038105		GUSSET ASSEMBLY,W/H FLOOR,LH,REAR, C4RE	
18	0037440		GUSSET,FLOOR,REAR SECTION,RIGHT HAND,	
19	0043646		GUSSET,FLOOR,REAR SECTION,LEFT HAND,	
20	0034722		BRACKET,MTG,BATTERY BOX, C4RE	
21	0050908		BOX ASSY,BATTERY,HEAVY DUTY, C4RE	

**Models:** C4RE  
FLOOR  
4000 MODEL  
**BSN:** From BSN F20055505

Key	PartNumber	Qty	Description	Comment
NI	0610725		CAPSCREW,HEX HD,5/16-18X1 1/4,GR8,	
NI	0829390		NUT,HEX HD,5/16-18,SER WASHER,YEL ZN	
NI	0990325		BOLT,LOCK,COLLAR	
NI	0990333		BOLT,LOCK PIN	

**Models:** C4RE  
**FLOOR**  
**PLYWOOD FLOOR INSTALLATION**

Key	PartNumber	Qty	Description	Comment
-----	------------	-----	-------------	---------



**Models:** C4RE  
FLOOR  
PLYWOOD FLOOR INSTALLATION

Key	PartNumber	Qty	Description	Comment
1	0037503		PLYWOOD,CLOSEOUT,RIGHT HAND, C4RE	STANDARD
2	0037504		PLYWOOD,CLOSEOUT,LEFT HAND, C4RE	STANDARD
3	0033711		PLYWOOD,SUBFLOOR,DRIVERS PLATFORM,	STANDARD
3	0038153		PLYWOOD,SUBFLR,DRVRS PLTFRM,MARINE A/C	MARINE GRADE
4	0046028		PLYWOOD,SUBFLR,DRIVER SECTION, C4RE	STANDARD
4	0041084		PLYWOOD,SUBFLR,DRIVER SECT,MARINE A/C,	MARINE GRADE
5	0046027		PLYWOOD,SUBFLR,FRONT, C4RE	STANDARD
5	0041083		PLYWOOD,SUBFLOOR,FRONT,MARINE A/C,	MARINE GRADE
6	0046031		PLYWOOD,SUBFLR,FRONT,LH WHEELHOUSE,	STANDARD
6	0041089		PLYWOOD,SUBFLR,FRT,LH WHLHSE,MARINE	MARINE GRADE
7	0046029		PLYWOOD,SUBFLR,CENTER,58.87, C4RE	STANDARD
7	0041085		PLYWOOD,SUBFLR,CENTER,58.87,MARINE A/C	MARINE GRADE
8	0046210		PLYWOOD,SUBFLR,FRT,RH WHEELHOUSE, C4RE	STANDARD
8	0046209		PLYWOOD,SUBFLR,FRT,RH WHLHSE,MARINE	MARINE GRADE
9	0046034		PLYWOOD,SUBFLR,REAR WHEELHOUSE, C4RE	STANDARD
9	0046254		PLYWOOD,SUBFLR,RR W/H,LH, MARINE A/C,	MARINE GRADE
10	0046034		PLYWOOD,SUBFLR,REAR WHEELHOUSE, C4RE	STANDARD
10	0041092		PLYWOOD,SUBFLR,RR W/H,RH,MARINE A/C,	MARINE GRADE
*	0046035		PLYWOOD,SUBFLR,SIDE,96.00, C4RE	STANDARD
*	0041093		PLYWOOD,SUBFLR,SIDE,MARINE A/C 96.00,	MARINE GRADE
12	0046030		PLYWOOD,SUBFLR,CENTER,96.00, C4RE	STANDARD
12	0041087		PLYWOOD,SUBFLR,CENTER,96.00,MARINE A/C	MARINE GRADE
*	0046033		PLYWOOD,SUBFLR,CENTER STEPWELL, C4RE	STANDARD. USED WITH CENTER DOOR ONLY.

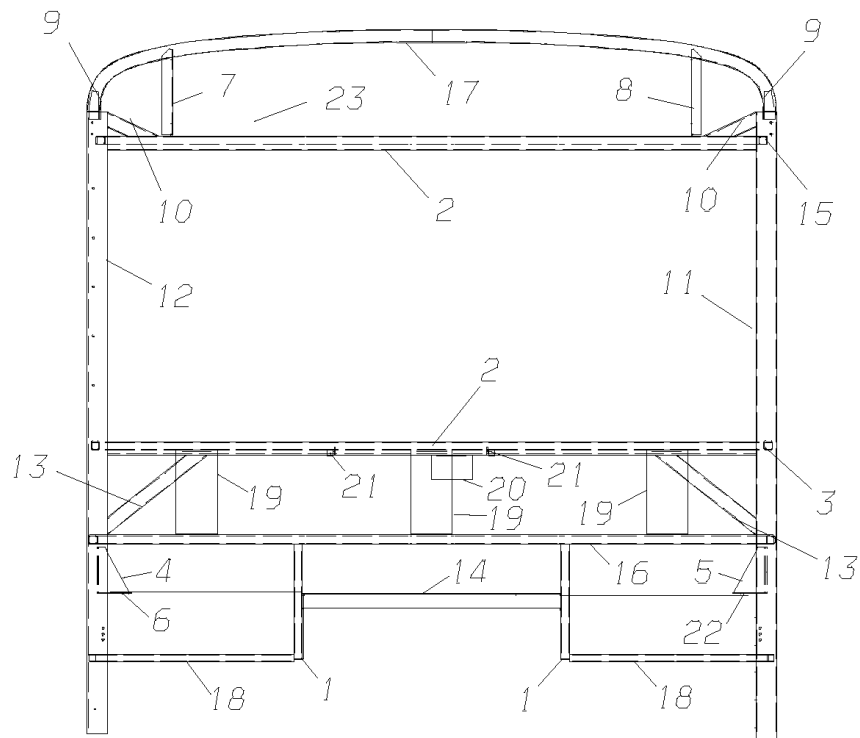
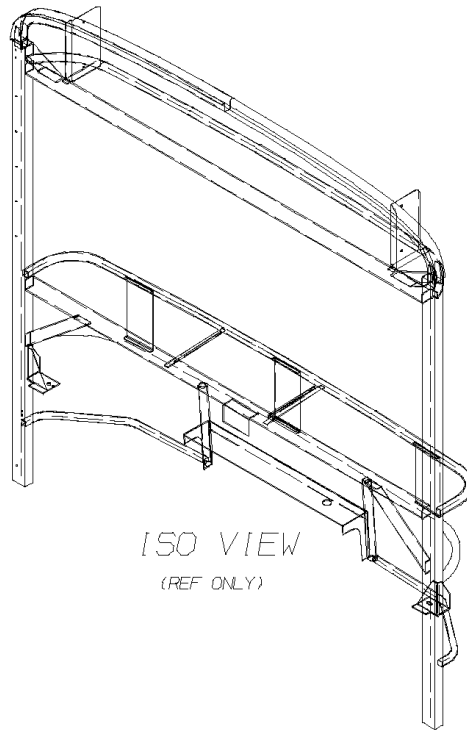


**Models:** C4RE  
**FLOOR**  
**PLYWOOD FLOOR INSTALLATION**

Key	PartNumber	Qty	Description	Comment
*	0041091		PLYWOOD,SUBFLR,CTR STEPWELL,MARINE A/C	MARINE GRADE. USED WITH CENTER DOOR ONLY.
14	0046206		PLYWOOD,SUBFLR,SIDE,67.00, C4RE	STANDARD
14	0046205		PLYWOOD,SUBFLR,SIDE,67.00,MARINE A/C,	MARINE GRADE
15	0046032		PLYWOOD,SUBFLR,CENTER,67.00, C4RE	STANDARD
15	0041090		PLYWOOD,SUBFLR,CTR,67.00,MARINE A/C,	MARINE GRADE
16	0046212		PLYWOOD,SUBFLR,SIDE,27.00, C4RE	STANDARD
16	0046211		PLYWOOD,SUBFLR,SIDE,27.00,MARINE A/C,	MARINE GRADE
17	0041086		PLYWOOD,SUBFLOOR,CENTER,27.00, C4RE	STANDARD
17	0046037		PLYWOOD,SUBFLR,CENTER,27.00,MARINE A/C	MARINE GRADE
18	0053250		PLYWOOD,SUBFLOOR,BODE LIFT DOOR, C4RE	STANDARD
18	0053249		PLYWOOD,SUBFLOOR,BODE LIFT DOOR,MARINE	MARINE GRADE

Models: C4RE  
FRONT  
ASSY

Key	PartNumber	Qty	Description	Comment
-----	------------	-----	-------------	---------



**Models:** C4RE  
FRONT  
ASSY

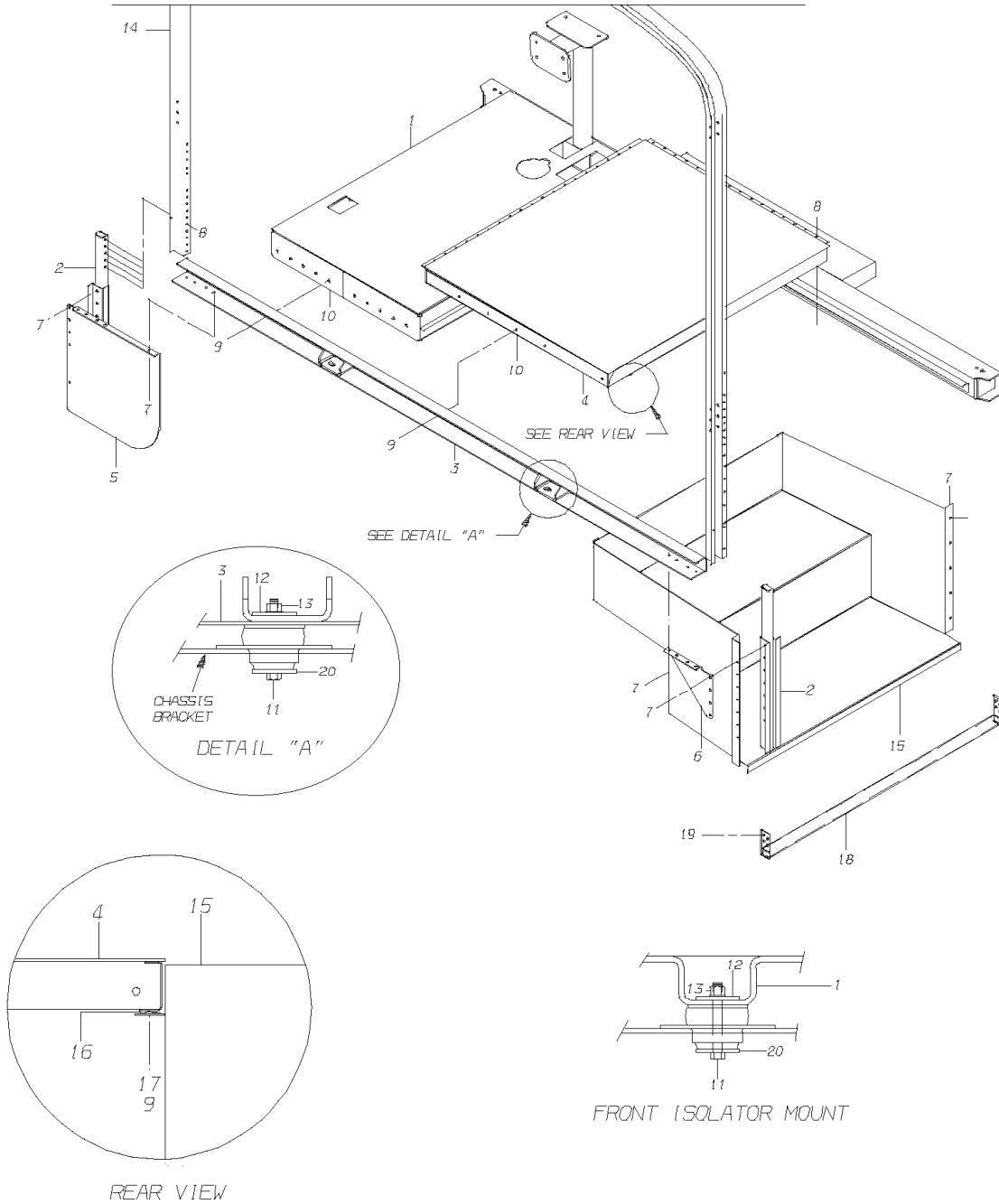
Key	PartNumber	Qty	Description	Comment
	0038562		STRUCTURE ASSY,FRONT, C4RE	
1	0036164	2	TUBE,STL,SQ, 1.25 X .125 X 16.69	
2	0037415	2	TUBE,STL,SQ, 2.00 X 2.00 X.12 WALL X 93.75	
3	0035707		TUBE,SUPPORT,WINDSHIELD, C4RE	
4	0035976		WEB,.179 X 6.50 X 7.48,HRS,LH	
5	0035989		WEB,.179 X 6.50 X 7.48,HRS,RH	
6	0035970		PLATE,TIE DOWN,FRT STRUC, C4RE	
7	0037161		BRACKET,MTG,DESTINATION SIGN,LH, C4RE	
8	0037162		BRACKET,MTG,DESTINATION SIGN,RH, C4RE	
9	0036229	2	BRACKET,MTG,INTERMEDIATE BOW,FRONT,	
10	0040403	2	BRACE,UPPER,FRT STRUC, C4RE	
11	0037456		POST,CORNER,FRONT,RIGHT HAND, C4RE	
12	0037457		POST,CORNER,FRONT,LEFT HAND, C4RE	
13	0040424		BRACE,DIAGONAL,FRT STRUC, C4RE	
14	0040995		REINFORCEMENT,FRT STRUC,LOWER, C4RE	
15	0035978		TUBE,BELT BAR,UPPER,FRT STRUC, C4RE	
16	0035980		TUBE,BELT BAR,LOWER,FRT STRUC, C4RE	
17	0033084		BOW,INTERMEDIATE, C4RE	
18	0035981	2	TUBE,BELT BAR,SPLIT,FRT STRUC, C4RE	
19	0035710	3	REINFORCEMENT,FRT STRUC, C4RE	
20	0043347		ANGLE,REINF,HANDRAIL, C4RE	
21	0042892	2	BRACE,CENTER,WINDSHIELD, C4RE	
22	0035979		PLATE,TIE DOWN,FRT STRUC,RH, C4RE	

**Models:** C4RE  
FRONT  
ASSY

Key	PartNumber	Qty	Description	Comment
23	0040223		BRACKET,MTG,SWITCH,MASTER,C4RE	

**Models: C4RE  
FRONT  
DRIVER'S PLATFORM & FRONT FLOOR**

Key	PartNumber	Qty	Description	Comment
-----	------------	-----	-------------	---------

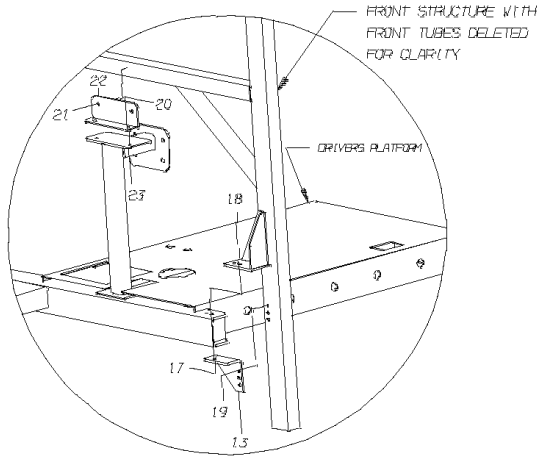
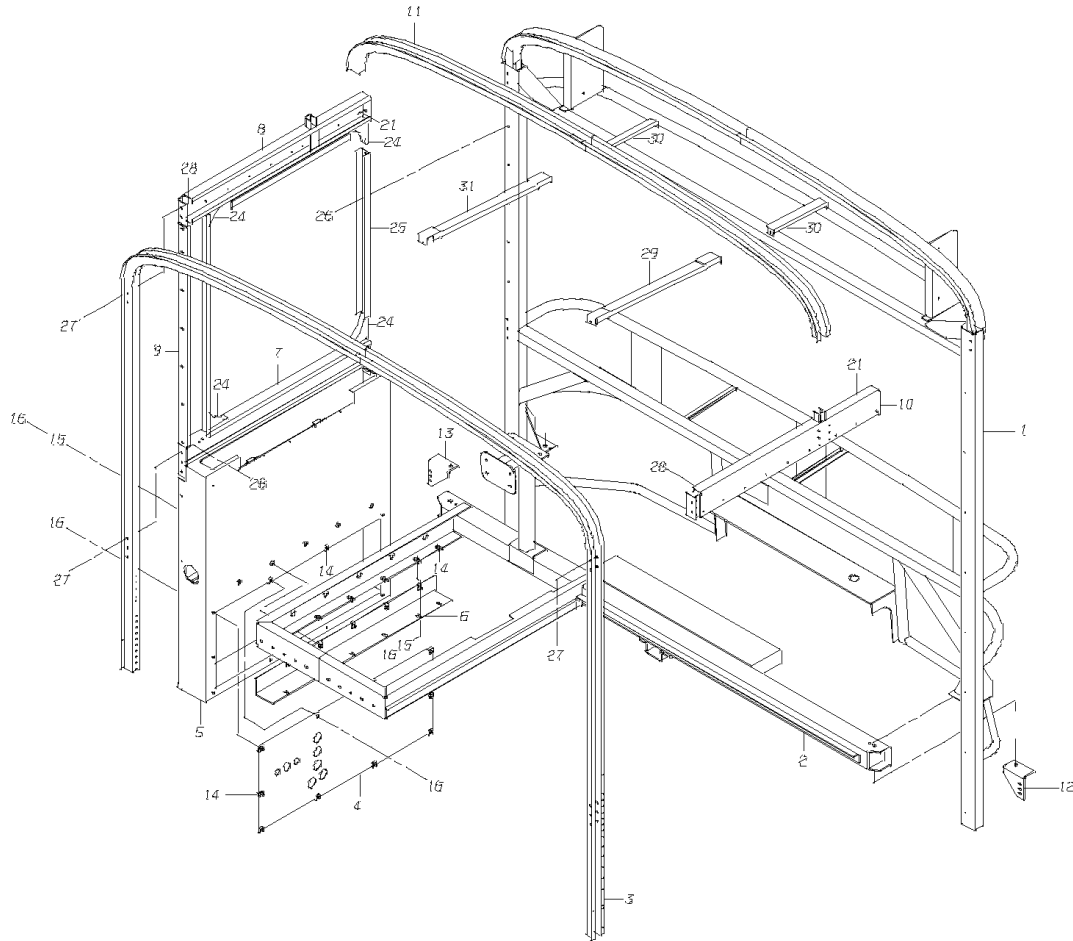


**Models: C4RE  
FRONT  
DRIVER'S PLATFORM & FRONT FLOOR**

Key	PartNumber	Qty	Description	Comment
1	0033634		PLATFORM ASSY,DRIVERS, C4RE	<i>ENDING WITH BSN 20051914</i>
1	0053212		PLATFORM ASSY,DRIVERS, C4RE	<i>FROM BSN 20051915 TO 20053324</i>
1	0055406		PLATFORM ASSY,DRIVERS, C4RE	<i>BEGIN WITH BSN 20053325</i>
2	0033054	2	EXTENSION ASSY,BOW, C4RE	
3	0033008		CHANNEL ASSY,FRONT FLOOR, C4RE	
4	0033113		PANEL ASSEMBLY,FRONT FLOOR, C4RE	
5	0032951		GUARD,MUD,FRT, C4RE	
6	0032954		GUSSET,BODY BAR,RH, C4RE	
7	2000198	18	SCREW,5/16-18 X 1,D,HEX HD,YEL ZN DICH	
8	1854397	43	RIVET,BLIND, .25 DIA, .38 GRIP	
9	0610725	19	CAPSCREW,HEX HD,5/16-18X1 1/4,GR8,	
10	0829390	15	NUT,HEX HD,5/16-18,SER WASHER,YEL ZN	
11	1873595	3	CAPSCREW,HEX HD,5/8-11X4 GR8 YEL DICH	
12	1492396	6	WASHER,FLAT,.687 X 2.000 X .250,YEL ZN	
13	0939827	3	NUT,HEX HD,5/8-11,GR 8,LOCK,CADMIUM WAX	
14	0033083		BOW,102,81 HEADROOM, C4RE	
15	0033615		STEPWELL ASSY,ENTRANCE DOOR, C4RE	<i>STANDARD</i>
15	0055645		STEPWELL ASSY,SS,ENTRANCE DOOR, C4RE	<i>FEATURE 30960-02.STAINLESS STEEL</i>
16	1985175	4	U-NUT,5/16-18	
17	2001188	4	LOCKWASHER,SPLIT RING, 5/16,MED,YEL ZN	
18	0033693		TUBE ASSY,FRONT STEPWELL, C4RE	
19	2000073	8	SCREW,1/4-20 X 1,D,HEX HD,YEL ZN DICH	
20	1966332	3	WASHER,FLAT,.656IDX3.00 ODX.187THK,	

**Models: C4RE  
FRONT  
INSTALLATION**

Key	PartNumber	Qty	Description	Comment
-----	------------	-----	-------------	---------



DETAIL "A"  
FRONT STRUCTURE/DRIVER PLATFORM MOUNTING

**Models:** C4RE  
FRONT  
INSTALLATION

Key	PartNumber	Qty	Description	Comment
1	0038562		STRUCTURE ASSY,FRONT, C4RE	ENDING WITH BSN 20053994
1	0053123		STRUCTURE ASSY,FRONT, C4RE	BEGIN WITH BSN 20053995
2	0033634		PLATFORM ASSY,DRIVERS, C4RE	ENDING WITH BSN 20051914
2	0053212		PLATFORM ASSY,DRIVERS, C4RE	FROM BSN 20051915 TO 20053324
2	0055406		PLATFORM ASSY,DRIVERS, C4RE	BEGIN WITH BSN 20053325
3	0033083		BOW,102,81 HEADROOM, C4RE	
4	0034701		PANEL,CLOSEOUT,ELECTRICAL, C4RE	
5	0033880		PANEL ASSY,DRIVERS,STATIONARY, C4RE	
6	0033885		ANGLE,.116 X 2.77 X 3.75 X 38.06	
7	0034887		BELT BAR,DRIVERS, C4RE	
8	0036548		HEADER ASSY,FRONT,LH, C4RE	
9	0034889		CHANNEL,WIRE, C4RE	
10	0036547		HEADER ASSY,FRONT,RH, C4RE	
11	0033084		BOW,INTERMEDIATE, C4RE	
12	0040406		BRACKET,MTG,LOWER,RH,FRT STRUC, C4RE	ENDING WITH BSN F20072075
13	0043748		BRACKET,MTG,LOWER,LH,FRT STRUC, C4RE	ENDING WITH BSN F20072075
14	1985175	21	U-NUT,5/16-18	
15	2001055	11	WASHER,FLAT,11/32 X 1 1/4 X 5/32,YEL ZN	
16	0989145	21	CAPSCREW,HEX HD,5/16-18, X, 1, ,GR5,	
17	0850800	2	NUT,HEX HD,1/2-13,LOCKING,GR 8,CAD WAX	
18	1804681	2	CAPSCREW,HEX HD,1/2-13X4.50,GD8,YEL DICH	
19	0822817	6	SCREW,3/8-16 X 1,F,HEX WASH HD,YEL ZN	
20	0854406	2	CAPSCREW,HEX HD,5/16-18 X 1,GR8,YEL ZN	

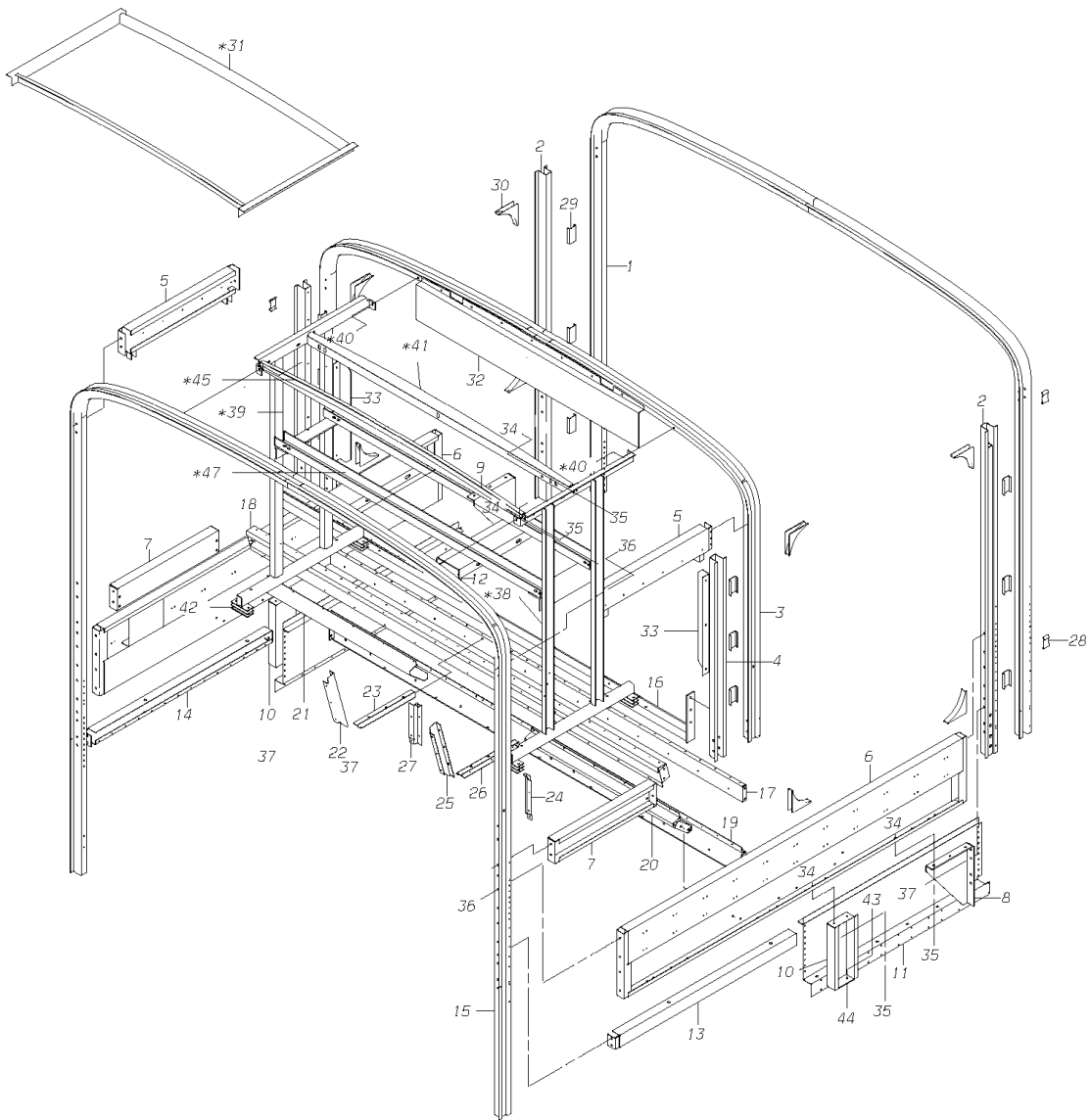


**Models:** C4RE  
FRONT  
INSTALLATION

Key	PartNumber	Qty	Description	Comment
21	2000198	9	SCREW,5/16-18 X 1,D,HEX HD,YEL ZN DICH	
22	0037539		ANGLE,.179 X 1.94 X 3.00,8.00 LONG	
23	1981844	2	NUT,HEX HD,5/16-18,LOCK,YEL DICH	
24	0022457	4	GUSSET,WINDOW,REINFORCEMENT, CS	
25	0033857		CHANNEL,WINDOW,VERTICAL,DRIVERS, C4RE	
26	0016806	5	RIVET,CHERRY,SSCV-8-8	
27	0829390	7	NUT,HEX HD,5/16-18,SER WASHER,YEL ZN	
28	1032309	7	CAPSCREW,HEX HD,5/16-18X 2,GR 5,YEL ZN	
29	1160878		STRINGER,28IN ROOF	
30	0046516	2	STRINGER,ROOF,FRT SECT, C4RE	
31	0057675		STRINGER,ROOF,28 INCH,DRIVER'S SECTION	
NI	2000636	8	SCREW,1/4-14 X 1/2,AB,PH1,PAN HD,YEL	

Models: C4RE  
 REAR  
 REAR DAVENPORT

Key	PartNumber	Qty	Description	Comment
-----	------------	-----	-------------	---------



**Models:** C4RE  
REAR  
REAR DAVENPORT

Key	PartNumber	Qty	Description	Comment
1	0033083		BOW,102,81 HEADROOM, C4RE	
2	0040400	2	POST ASSY,DOUBLE BOW,REAR STRUCTURE,	
3	0044677		BOW ASSY,REAR STRUCTURE,2ND FROM REAR,	
4	0037469	2	POST,SUPPORT,CARRIER AIR CONDITIONER,	
5	0038180	2	HEADER ASSY,28.00,REAR SECTION, C4RE	
6	0037459	2	SILL ASSY,REAR STRUCTURE, C4RE	
7	0037432	2	RAIL,UPPER,DAVENPORT, C4RE	
8	0002782		GUSSET,RAIL,BOW SUPPORT,RH, DRRE	
9	0002790		GUSSET,RAIL,BOW SUPPORT,LH, DRRE	
10	0038116	2	BRACE,SILL,REAR STRUCTURE, C4RE	
11	0037440	2	GUSSET,FLOOR,REAR SECTION,RIGHT HAND,	
12	0043646		GUSSET,FLOOR,REAR SECTION,LEFT HAND,	
13	0037960		REINFORCEMENT,LWR SKIRT,ENG CMPT,RH,	
14	0038141		REINFORCEMENT,LWR SKIRT,ENG CMPT,LH,	
15	0044679		BOW ASSY,REAR, C4RE	
16	0037596		SUPPORT ASSY,FRONT,CARRIER A/C, C4RE	
17	0037449		SUPPORT,LEDGE,DAVENPORT, C4RE	
18	0037424		CROSSBAR,DAVENPORT SEAT,CENTER, C4RE	
19	0037436		CHANNEL,REINFORCEMENT,REAR FLOOR, C4RE	
20	0037442		SUPPORT,SEAT,DAVENPORT,RIGHT HAND, C4RE	
21	0037444		SUPPORT,SEAT,DAVENPORT,LEFT HAND, C4RE	
22	1809508		TRIM,DAVENPORT,ACCESS COVER,UPPER,LH	
23	0005439		TRIM,DAVENPORT,ACCESS COVER,LOWER,LH,	

**Models:** C4RE  
REAR  
REAR DAVENPORT

Key	PartNumber	Qty	Description	Comment
24	0002816		REINFORCEMENT,VERTICAL,DAVENPORT,LH,	
25	1809490		TRIM,DAVENPORT,ACCESS COVER,UPPER,RH	
26	0005421		TRIM,DAVENPORT,ACCESS COVER,LOWER,RH,	
27	0002808		REINFORCEMENT,VERTICAL,DAVENPORT,RH,	
28	0305409	12	SPACER,WINDOW HEADER	
29	3947884	16	STRAP,REINF,DOUBLE BOW, QB	
30	0022457	8	GUSSET,WINDOW,REINFORCEMENT, CS	
*3	0041714		SUPPORT ASSY,SHROUD,UPPER, C4RE	FEATURE 38102-08
32	0042032		BRACKET,MTG,UPPER,PLYWOOD BULKHEAD	
33	0042150	2	BRACKET,MTG,PLYWOOD BULKHEAD WALL,	
34	0989145		CAPSCREW,HEX HD,5/16-18, X, 1, ,GR5,	
35	1480433		NUT,HEX HD,5/16-18,FLG PRVG TORQ,GR F,	
36	1032309		CAPSCREW,HEX HD,5/16-18X 2,GR 5,YEL ZN	
37	1415769		RIVET,POP,.18 X .45,CHERRY SSPS-6-4	
	0067774	24	FASTENER,HUCK,3/16 X 062-437,MGLP-R6-E	
*3	0049877		FRAME ASSY,SIDE SUPT,RH,CARRIER EM17,	
*3	0049874		FRAME ASSY,SIDE SUPPORT,LH CARRIER	
*4	1409788		SCREW,1/4-20 X 3/4,D,HEX HD,YEL ZN DICH	
*4	0049878		ANGLE ASSY,FRT,AIR INTAKE,CARRIER EM17	
42	0037468		PLATE,MTG,SUPPORT TUBE,UPR,CARRIER A/C	
43	1693357		FASTENER,HUCK,COLLAR,1/4,MAGNAGRIP,MGC-	
44	1693340		FASTENER,HUCK,1/4,MAGNAGRIP,MGPB-R8-10	
*4	0054273		ANGLE ASSY,REAR,AIR INTAKE,CARRIER	

**Models:** C4RE  
REAR  
REAR DAVENPORT

Key	PartNumber	Qty	Description	Comment
*4	0096355	2	SUPPORT,ASSY,UPPER,CARRIER,A/C RM35,	
*4	0049879		CHANNEL ASSY,CTR SUPPORT,CARRIER EM17,	