

Body

320 Interior

CENTER

INSIDE SIDE PANELS, WITH FRONT & CENTER DOORS

2910 MODEL

To BSN F20055504 _____ 1

From BSN F20055505 _____ 2

3505 MODEL

To BSN F20055504 _____ 3

From BSN F20055505 _____ 4

4000 MODEL

To BSN F20055504 _____ 5

From BSN F20055505 _____ 6

INSIDE SIDE PANELS, WITH FRONT DOOR ONLY

2910 MODEL

To BSN F20055504 _____ 7

From BSN F20055505 _____ 8

3505 MODEL

To BSN F20055504 _____ 9

From BSN F20055505 _____ 10

4000 MODEL

To BSN F20055504 _____ 11

From BSN F20055505 _____ 12

ROOF PANELS

2910 MODEL

To BSN F20055504 _____ 13

From BSN F20055505 _____ 14

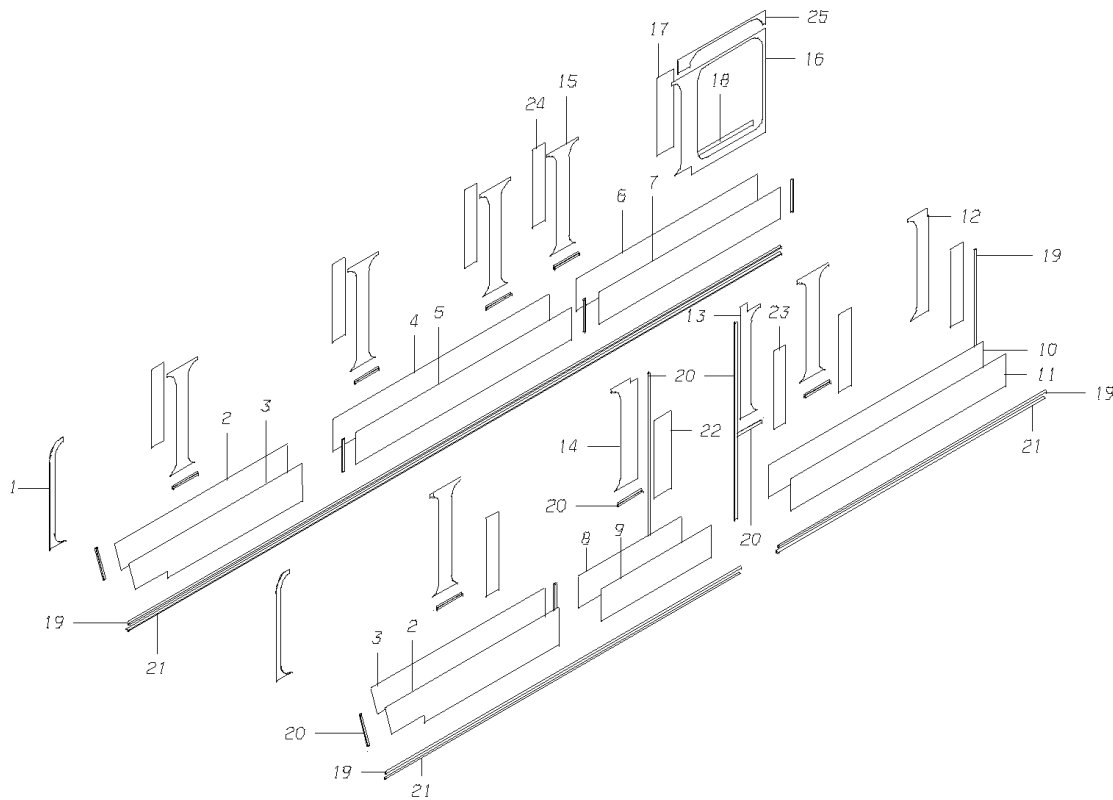
3505 MODEL

To BSN F20055504 _____ 15

	<i>From BSN F20055505</i>	16
<hr/>		
4000 MODEL		
	<i>To BSN F20055504</i>	17
<hr/>		
	<i>From BSN F20055505</i>	18
<hr/>		
FRONT		
UPPER INNER PANELS WITH DESTINATION SIGN		19
<hr/>		
FRONT DASH		
INSTALLATION		20
<hr/>		
REAR		
WALL INSTALLATION, WITH EM17 CARRIER A/C		
	<i>With: FEATURE 38102-10, -11</i>	
	<i>To BSN F20054360</i>	21
<hr/>		
	<i>With: FEATURE 38102-10, -11</i>	
	<i>From BSN F20054361</i>	22
<hr/>		
WALL INSTALLATION, WITH RM35 CARRIER A/C		
	<i>With: FEATURE 38102-08</i>	
	<i>To BSN F20054360</i>	23
<hr/>		
	<i>With: FEATURE 38102-08</i>	
	<i>From BSN F20054361</i>	24
<hr/>		
REAR DAVENPORT		25
<hr/>		
INSULATION		26
<hr/>		

Models: C4RE
 CENTER
 INSIDE SIDE PANELS, WITH FRONT & CENTER DOORS
 2910 MODEL
 To BSN F20055504

Key	PartNumber	Qty	Description	Comment
-----	------------	-----	-------------	---------



Models: C4RE
CENTER
INSIDE SIDE PANELS, WITH FRONT & CENTER DOORS
2910 MODEL
To BSN F20055504

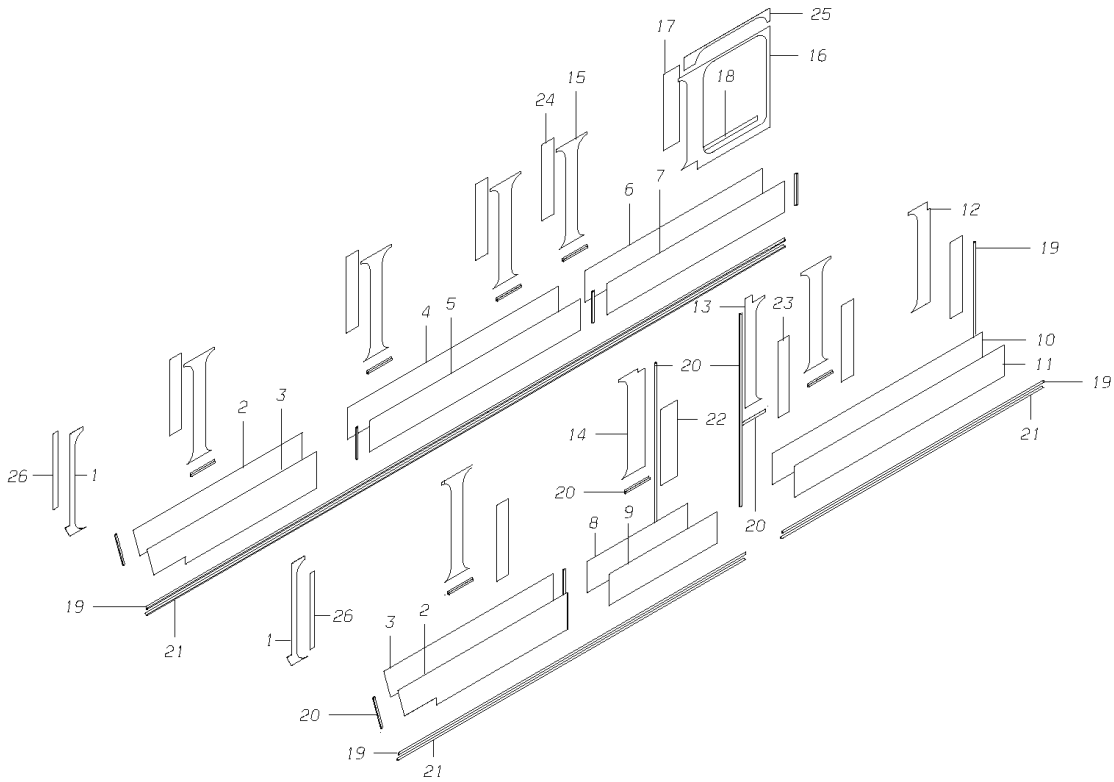
Key	PartNumber	Qty	Description	Comment
1	0046409	2	PANEL,I/S SIDE,HARDBOARD,RR, C4RE	
2	0041105	2	PANEL,INSIDE,LOWER,REAR, C4RE	
3	0041106	2	PANEL,INSIDE,LOWER,REAR,HARDBOARD, C4RE	
4	0041081		PANEL,INSIDE,LOWER,96.00, C4RE	
5	0041103		PANEL,INSIDE,LOWER,HARDBOARD,96.00,	
6	0041080		PANEL,INSIDE,LOWER,95.00, C4RE	
7	0041102		PANEL,INSIDE,LOWER,HARDBOARD,95.00,	
8	0041097		PANEL,INSIDE,LOWER,HARDBOARD,54.38,	FEATURE 31061-01, -02
8	0055090		PANEL,INSIDE,LOWER,HARDBOARD,52.75,	FEATURE 31060-02
9	0041075		PANEL,INSIDE,LOWER,54.38, C4RE	FEATURE 31061-01, -02, ENDING WITH BSN F20047499
9	0041079		PANEL,INSIDE,LOWER,89.00, C4RE	FEATURE 31061-01, -02, BEGIN WITH BSN F20047500
9	0055087		PANEL,INSIDE,LOWER,52.75, C4RE	FEATURE 31060-02
10	0041101		PANEL,INSIDE,LOWER,HARDBOARD,89.00,	FEATURE 31061-01, -02
10	0055092		PANEL,INSIDE,LOWER,HARDBOARD,87.37,	FEATURE 31060-02
11	0041079		PANEL,INSIDE,LOWER,89.00, C4RE	FEATURE 31061-01, -02
11	0055089		PANEL,INSIDE,LOWER,87.37, C4RE	FEATURE 31060-02
12	0041069		BOW CAP,INSIDE,REAR OF FRONT DOOR, C4RE	
13	0041070		BOW CAP,INSIDE,FRONT OF CENTER DOOR,	FEATURE 31061-01, -02
13	0055040		BOW CAP,INSIDE,FRONT,BODE LIFT DOOR,	FEATURE 31060-02
14	0041071		BOW CAP,INSIDE,REAR OF CENTER DOOR,	FEATURE 31061-01, -02
14	0055041		BOW CAP,REAR,INSIDE,BODE LIFT DOOR, C4RE	FEATURE 31060-02
15	0041068	6	BOW CAP,INSIDE, C4RE	
16	0038632		PANEL,WINDOW TRIM,DRIVERS, C4RE	

Models: C4RE
 CENTER
 INSIDE SIDE PANELS, WITH FRONT & CENTER DOORS
 2910 MODEL
 To BSN F20055504

Key	PartNumber	Qty	Description	Comment
17	1702539		PLATE,REINFORCEMENT,BOW CAP,9.06, QB	
18	1611805		PLATE,REINF,BOW CAP,1.94, QB	
19	1847540		EXTRUSION,LOWER,I/SS PANEL,HARD INT, QB	FORMICA
19	3977261		EXTRUSION,LOWER,I/SS PANEL,SOFT INT 12',	FABRIC
20	1753599		EXTRUSION,CENTER,I/SS PANEL,HARD INT,	FORMICA
20	1589621		EXTRUSION,CTR,I/SS PANEL,SOFT INT GRAY,	FABRIC
21	1753581		EXTRUSION,LOWER,SEAT LEDGE COVER, QBRE	
22	1589951		PLATE,REINF,BOW CAP,7.37, QB	FEATURE 31061-01, -02
22	1589944		PLATE,REINF,BOW CAP,5.62, QB	FEATURE 31060-02
23	1590785		PLATE,REINF,BOW CAP,4.87, QB	FEATURE 31061-01, -02
23	1589936		PLATE,REINF,BOW CAP,3.38, QB	FEATURE 31060-02
24	1589944	7	PLATE,REINF,BOW CAP,5.62, QB	
25	0051517		PLATE,REINFORCEMENT,WINDOW TRIM,DRVRS,	

Models: C4RE
CENTER
INSIDE SIDE PANELS, WITH FRONT & CENTER DOORS
2910 MODEL
BSN: From BSN F20055505

Key	PartNumber	Qty	Description	Comment
-----	------------	-----	-------------	---------



Models: C4RE
CENTER
INSIDE SIDE PANELS, WITH FRONT & CENTER DOORS
2910 MODEL
BSN: From BSN F20055505

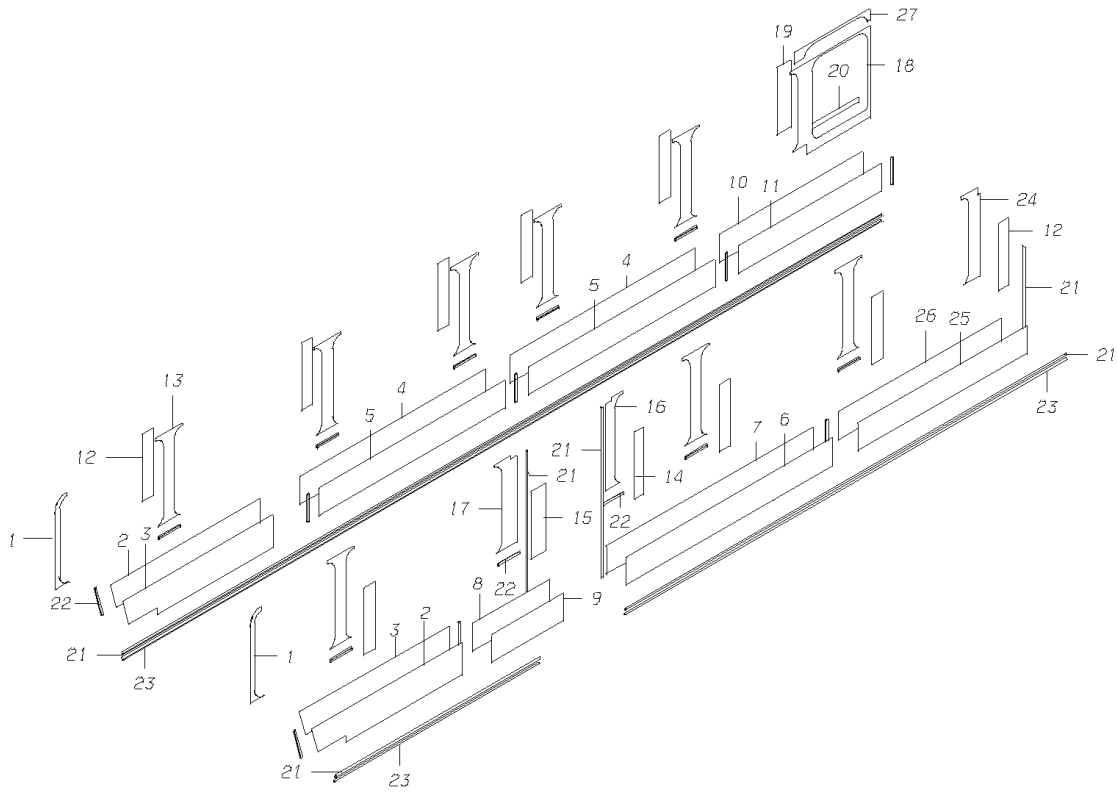
Key	PartNumber	Qty	Description	Comment
1	0046409	2	PANEL,I/S SIDE,HARDBOARD,RR, C4RE	
2	0054812	2	PANEL,INSIDE,LOWER,REAR, C4RE	
3	0041106	2	PANEL,INSIDE,LOWER,REAR,HARDBOARD, C4RE	
4	0054809		PANEL,INSIDE,LOWER,96.00, C4RE	
5	0041103		PANEL,INSIDE,LOWER,HARDBOARD,96.00,	
6	0054808		PANEL,INSIDE,LOWER,95.00, C4RE	
7	0041102		PANEL,INSIDE,LOWER,HARDBOARD,95.00,	
8	0041097		PANEL,INSIDE,LOWER,HARDBOARD,54.38,	FEATURE 31061-01,-02
8	0055090		PANEL,INSIDE,LOWER,HARDBOARD,52.75,	FEATURE 31060-02
9	0054802		PANEL,INSIDE,LOWER,54.38, C4RE	FEATURE 31061-01,-02
9	0055349		PANEL,INSIDE,LOWER,52.75, C4RE	FEATURE 31060-02
10	0041101		PANEL,INSIDE,LOWER,HARDBOARD,89.00,	FEATURE 31061-01,-02
10	0055092		PANEL,INSIDE,LOWER,HARDBOARD,87.37,	FEATURE 31060-02
11	0054807		PANEL,INSIDE,LOWER,89.00, C4RE	FEATURE 31061-01,-02
11	0055351		PANEL,INSIDE,LOWER,87.37, C4RE	FEATURE 31060-02
12	0041069		BOW CAP,INSIDE,REAR OF FRONT DOOR, C4RE	
13	0041070		BOW CAP,INSIDE,FRONT OF CENTER DOOR,	FEATURE 31061-01,-02
13	0055040		BOW CAP,INSIDE,FRONT,BODE LIFT DOOR,	FEATURE 31060-02
14	0041071		BOW CAP,INSIDE,REAR OF CENTER DOOR,	FEATURE 31061-01,-02
14	0055041		BOW CAP,REAR,INSIDE,BODE LIFT DOOR, C4RE	FEATURE 31060-02
15	0041068	6	BOW CAP,INSIDE, C4RE	
16	0038632		PANEL,WINDOW TRIM,DRIVERS, C4RE	
17	0054797		PLATE,REINF,BOW CAP,9.06, C4RE	

Models: C4RE
CENTER
INSIDE SIDE PANELS, WITH FRONT & CENTER DOORS
2910 MODEL
BSN: From BSN F20055505

Key	PartNumber	Qty	Description	Comment
18	0054879		PLATE,REINF,BOW CAP,1.94, C4RE	
19	1847540		EXTRUSION,LOWER,I/SS PANEL,HARD INT, QB	FORMICA
19	3977261		EXTRUSION,LOWER,I/SS PANEL,SOFT INT 12',	FABRIC
20	1753599		EXTRUSION,CENTER,I/SS PANEL,HARD INT,	FORMICA
20	1589621		EXTRUSION,CTR,I/SS PANEL,SOFT INT GRAY,	FABRIC
21	1753581		EXTRUSION,LOWER,SEAT LEDGE COVER, QBRE	
22	0054881		PLATE,REINF,BOW CAP,7.37, C4RE	FEATURE 31061-01,-02
22	0054796		PLATE,RINF,BPE CAP,5.62	FEATURE 31060-02
23	0054880		PLATE,REINF,BOW CAP,4.87, C4RE	FEATURE 31061-01,-02
23	0063433		PLATE,REINF,BOW CAP,3.38, C4RE	FEATURE 31060-02
24	0054796	7	PLATE,RINF,BPE CAP,5.62	
25	0051517		PLATE,REINFORCEMENT,WINDOW TRIM,DRVRS,	
26	0067152	2	PLATE,REINF,BOW CAP,2.25, C4RE	
NI	1494160		RIVET,.12,CHERRY SSP-42	

Models: C4RE
 CENTER
 INSIDE SIDE PANELS, WITH FRONT & CENTER DOORS
 3505 MODEL
 To BSN F20055504

Key	PartNumber	Qty	Description	Comment
-----	------------	-----	-------------	---------



Models: C4RE
CENTER
INSIDE SIDE PANELS, WITH FRONT & CENTER DOORS
3505 MODEL
To BSN F20055504

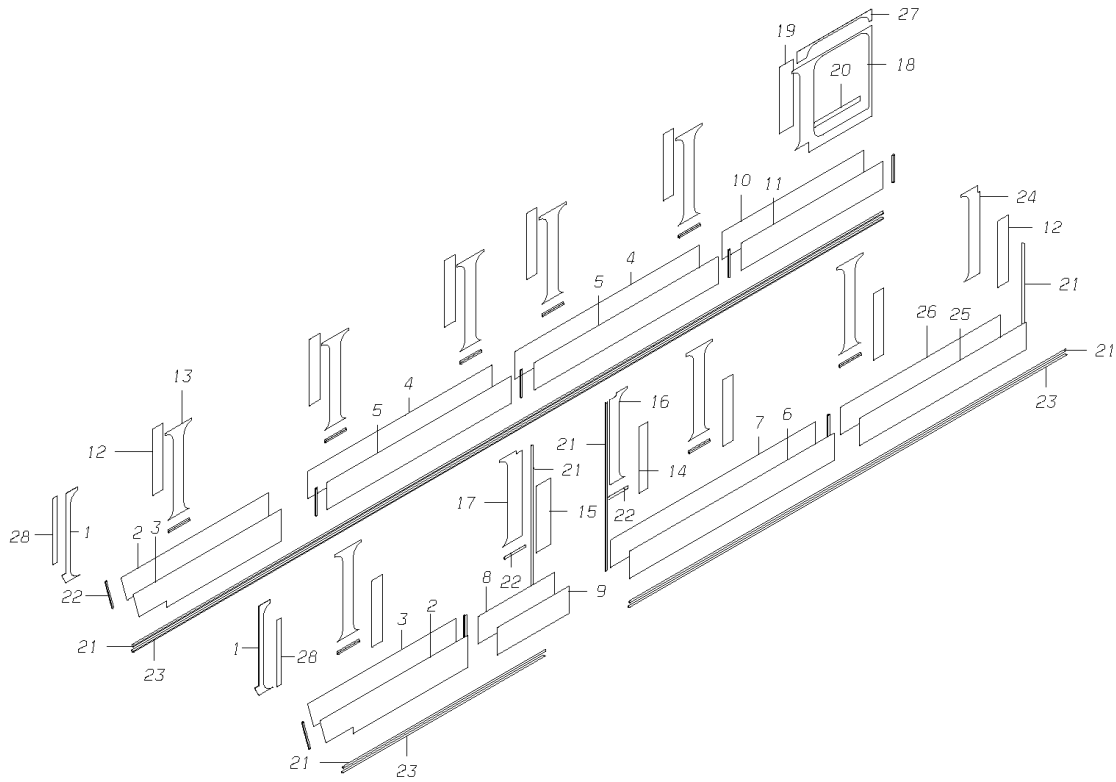
Key	PartNumber	Qty	Description	Comment
1	0046409	2	PANEL,I/S SIDE,HARDBOARD,RR, C4RE	
2	0041106	2	PANEL,INSIDE,LOWER,REAR,HARDBOARD, C4RE	
3	0041105	2	PANEL,INSIDE,LOWER,REAR, C4RE	
4	0041081	2	PANEL,INSIDE,LOWER,96.00, C4RE	
5	0041103	2	PANEL,INSIDE,LOWER,HARDBOARD,96.00,	
6	0041079		PANEL,INSIDE,LOWER,89.00, C4RE	FEATURE 31061-01, -02
6	0055089		PANEL,INSIDE,LOWER,87.37, C4RE	FEATURE 31060-02
7	0041101		PANEL,INSIDE,LOWER,HARDBOARD,89.00,	FEATURE 31061-01, -02
7	0055092		PANEL,INSIDE,LOWER,HARDBOARD,87.37,	FEATURE 31060-02
8	0041097		PANEL,INSIDE,LOWER,HARDBOARD,54.38,	FEATURE 31061-01, -02
8	0055090		PANEL,INSIDE,LOWER,HARDBOARD,52.75,	FEATURE 31060-02
9	0041075		PANEL,INSIDE,LOWER,54.38, C4RE	FEATURE 31061-01, -02
9	0055087		PANEL,INSIDE,LOWER,52.75, C4RE	FEATURE 31060-02
10	0041077		PANEL,INSIDE,LOWER,65.68, C4RE	
11	0041099		PANEL,INSIDE,LOWER,HARDBOARD,65.68,	
12	1589944	9	PLATE,REINF,BOW CAP,5.62, QB	
13	0041068	8	BOW CAP,INSIDE, C4RE	
14	1590785		PLATE,REINF,BOW CAP,4.87, QB	FEATURE 31061-01, -02
14	1589936		PLATE,REINF,BOW CAP,3.38, QB	FEATURE 31060-02
15	1589951		PLATE,REINF,BOW CAP,7.37, QB	FEATURE 31061-01, -02
15	1589944		PLATE,REINF,BOW CAP,5.62, QB	FEATURE 31060-02
16	0041070		BOW CAP,INSIDE,FRONT OF CENTER DOOR,	FEATURE 31061-01, -02
16	0055040		BOW CAP,INSIDE,FRONT,BODE LIFT DOOR,	FEATURE 31060-02

Models: C4RE
 CENTER
 INSIDE SIDE PANELS, WITH FRONT & CENTER DOORS
 3505 MODEL
 To BSN F20055504

Key	PartNumber	Qty	Description	Comment
17	0041071		BOW CAP,INSIDE,REAR OF CENTER DOOR,	FEATURE 31061-01, -02
17	0055041		BOW CAP,REAR,INSIDE,BODE LIFT DOOR, C4RE	FEATURE 31060-02
18	0038632		PANEL,WINDOW TRIM,DRIVERS, C4RE	
19	1702539		PLATE,REINFORCEMENT,BOW CAP,9.06, QB	
20	1611805		PLATE,REINF,BOW CAP,1.94, QB	
21	1847540		EXTRUSION,LOWER,I/SS PANEL,HARD INT, QB	FORMICA
21	3977261		EXTRUSION,LOWER,I/SS PANEL,SOFT INT 12',	FABRIC
22	1753599		EXTRUSION,CENTER,I/SS PANEL,HARD INT,	FORMICA
22	1589621		EXTRUSION,CTR,I/SS PANEL,SOFT INT GRAY,	FABRIC
23	1753581		EXTRUSION,LOWER,SEAT LEDGE COVER, QBRE	
24	0041069		BOW CAP,INSIDE,REAR OF FRONT DOOR, C4RE	
25	0049479		PANEL,INSIDE,LOWER,66.68, C4RE	
26	0049480		PANEL,INSIDE,LOWER,HARDBOARD,66.68,	
27	0051517		PLATE,REINFORCEMENT,WINDOW TRIM,DRVRS,	

Models: C4RE
CENTER
INSIDE SIDE PANELS, WITH FRONT & CENTER DOORS
3505 MODEL
BSN: From BSN F20055505

Key	PartNumber	Qty	Description	Comment
-----	------------	-----	-------------	---------



Models: C4RE
CENTER
INSIDE SIDE PANELS, WITH FRONT & CENTER DOORS
3505 MODEL
BSN: From BSN F20055505

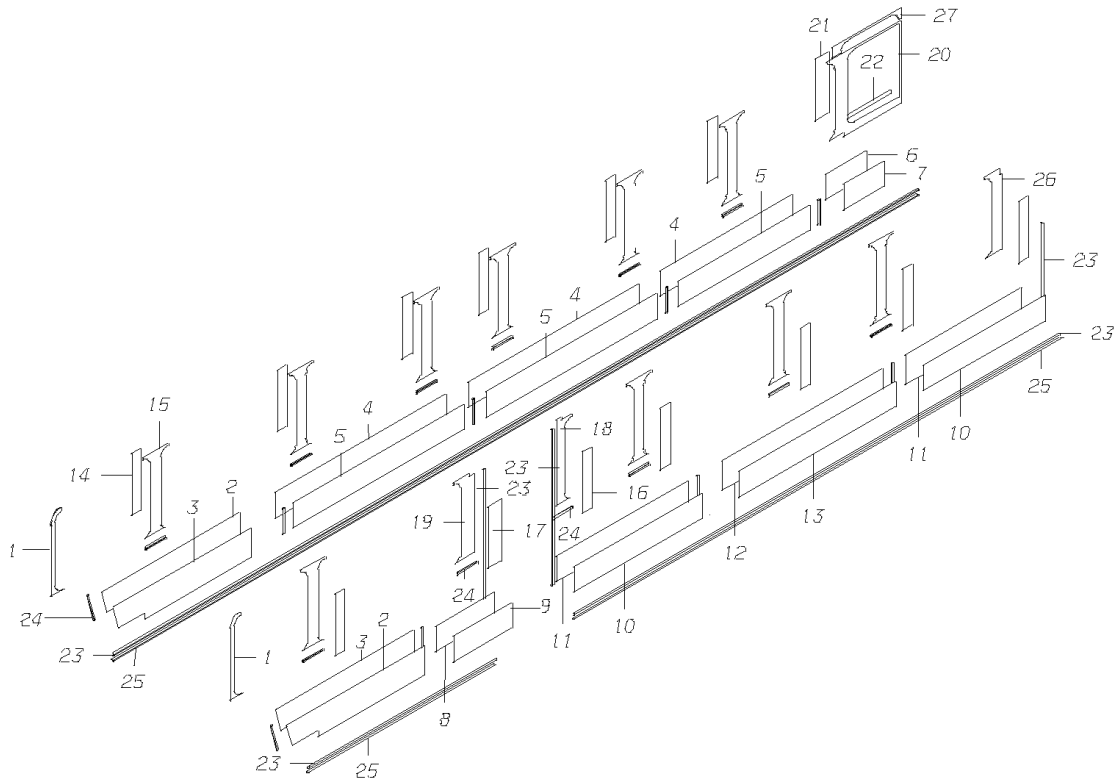
Key	PartNumber	Qty	Description	Comment
1	0046409	2	PANEL,I/S SIDE,HARDBOARD,RR, C4RE	
2	0041106	2	PANEL,INSIDE,LOWER,REAR,HARDBOARD, C4RE	
3	0054812	2	PANEL,INSIDE,LOWER,REAR, C4RE	
4	0054809	2	PANEL,INSIDE,LOWER,96.00, C4RE	
5	0041103	2	PANEL,INSIDE,LOWER,HARDBOARD,96.00,	
6	0054807		PANEL,INSIDE,LOWER,89.00, C4RE	FEATURE 31061-01,-02
6	0055351		PANEL,INSIDE,LOWER,87.37, C4RE	FEATURE 31060-02
7	0041101		PANEL,INSIDE,LOWER,HARDBOARD,89.00,	FEATURE 31061-01,-02
7	0055092		PANEL,INSIDE,LOWER,HARDBOARD,87.37,	FEATURE 31060-02
8	0041097		PANEL,INSIDE,LOWER,HARDBOARD,54.38,	FEATURE 31061-01,-02
8	0055090		PANEL,INSIDE,LOWER,HARDBOARD,52.75,	FEATURE 31060-02
9	0054802		PANEL,INSIDE,LOWER,54.38, C4RE	FEATURE 31061-01,-02
9	0055349		PANEL,INSIDE,LOWER,52.75, C4RE	FEATURE 31060-02
10	0054803		PANEL,INSIDE,LOWER,65.68, C4RE	
11	0041099		PANEL,INSIDE,LOWER,HARDBOARD,65.68,	
12	0054796	9	PLATE,RINF,BPE CAP,5.62	
13	0041068	8	BOW CAP,INSIDE, C4RE	
14	0054880		PLATE,REINF,BOW CAP,4.87, C4RE	FEATURE 31061-01,-02
14	0063433		PLATE,REINF,BOW CAP,3.38, C4RE	FEATURE 31060-02
15	0054881		PLATE,REINF,BOW CAP,7.37, C4RE	FEATURE 31061-01,-02
15	0054796		PLATE,RINF,BPE CAP,5.62	FEATURE 31060-02
16	0041070		BOW CAP,INSIDE,FRONT OF CENTER DOOR,	FEATURE 31061-01,-02
16	0055040		BOW CAP,INSIDE,FRONT,BODE LIFT DOOR,	FEATURE 31060-02

Models: C4RE
CENTER
INSIDE SIDE PANELS, WITH FRONT & CENTER DOORS
3505 MODEL
BSN: From BSN F20055505

Key	PartNumber	Qty	Description	Comment
17	0041071		BOW CAP,INSIDE,REAR OF CENTER DOOR,	FEATURE 31061-01,-02
17	0055041		BOW CAP,REAR,INSIDE,BODE LIFT DOOR, C4RE	FEATURE 31060-02
18	0038632		PANEL,WINDOW TRIM,DRIVERS, C4RE	
19	0054797		PLATE,REINF,BOW CAP,9.06, C4RE	
20	0054879		PLATE,REINF,BOW CAP,1.94, C4RE	
21	1847540		EXTRUSION,LOWER,I/SS PANEL,HARD INT, QB	FORMICA
21	3977261		EXTRUSION,LOWER,I/SS PANEL,SOFT INT 12',	FABRIC
22	1753599		EXTRUSION,CENTER,I/SS PANEL,HARD INT,	FORMICA
22	1589621		EXTRUSION,CTR,I/SS PANEL,SOFT INT GRAY,	FABRIC
23	1753581		EXTRUSION,LOWER,SEAT LEDGE COVER, QBRE	
24	0041069		BOW CAP,INSIDE,REAR OF FRONT DOOR, C4RE	
25	0054804		PANEL,INSIDE,LOWER,66.68, C4RE	
26	0049480		PANEL,INSIDE,LOWER,HARDBOARD,66.68,	
27	0051517		PLATE,REINFORCEMENT,WINDOW TRIM,DRVRS,	
28	0067152	2	PLATE,REINF,BOW CAP,2.25, C4RE	
NI	1494160		RIVET,.12,CHERRY SSP-42	

Models: C4RE
CENTER
INSIDE SIDE PANELS, WITH FRONT & CENTER DOORS
4000 MODEL
To BSN F20055504

Key	PartNumber	Qty	Description	Comment
-----	------------	-----	-------------	---------



Models: C4RE
CENTER
INSIDE SIDE PANELS, WITH FRONT & CENTER DOORS
4000 MODEL
To BSN F20055504

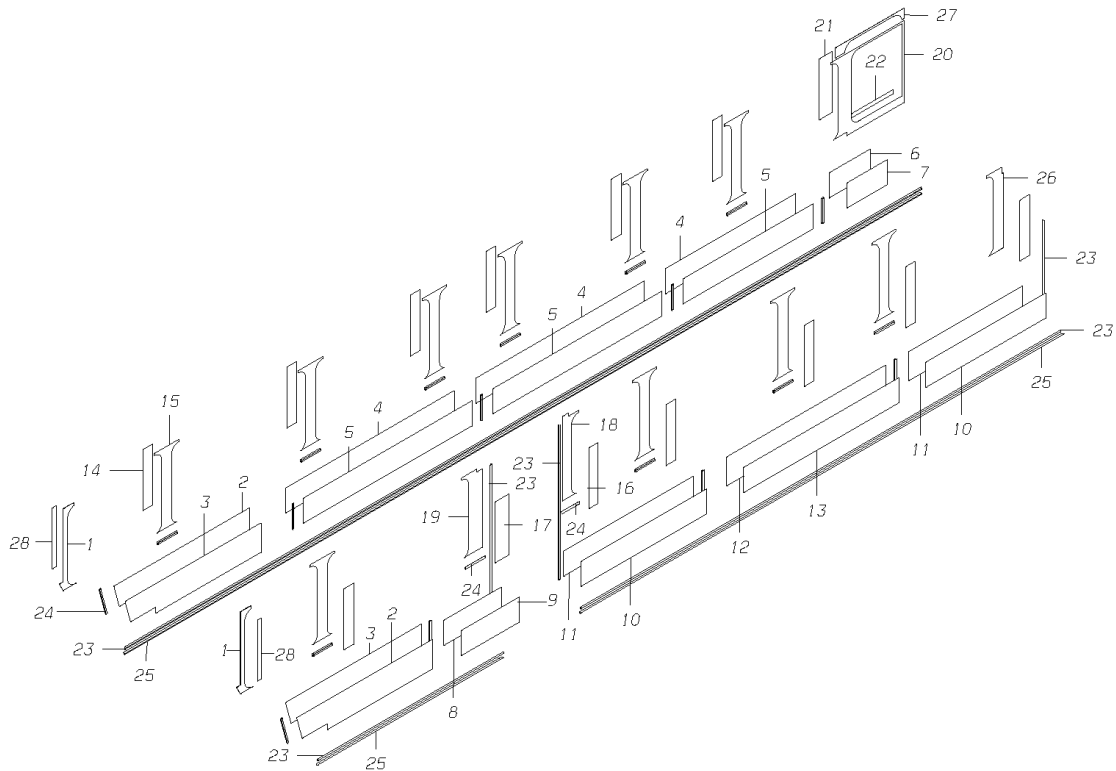
Key	PartNumber	Qty	Description	Comment
1	0046409	2	PANEL,I/S SIDE,HARDBOARD,RR, C4RE	
2	0041105	2	PANEL,INSIDE,LOWER,REAR, C4RE	
3	0041106	2	PANEL,INSIDE,LOWER,REAR,HARDBOARD, C4RE	
4	0041081	3	PANEL,INSIDE,LOWER,96.00, C4RE	
5	0041103	3	PANEL,INSIDE,LOWER,HARDBOARD,96.00,	
6	0041074		PANEL,INSIDE,LOWER,26.50, C4RE	
7	0041096		PANEL,INSIDE,LOWER,HARDBOARD,26.50,	
8	0055090		PANEL,INSIDE,LOWER,HARDBOARD,52.75,	FEATURE 31060-02
8	0041097		PANEL,INSIDE,LOWER,HARDBOARD,54.38,	FEATURE 31061-01, -02
9	0055087		PANEL,INSIDE,LOWER,52.75, C4RE	FEATURE 31060-02
9	0041075		PANEL,INSIDE,LOWER,54.38, C4RE	FEATURE 31061-01, -02
10	0055088		PANEL,INSIDE,LOWER,64.05, C4RE	FEATURE 31060-02
10	0041077		PANEL,INSIDE,LOWER,65.68, C4RE	FEATURE 31061-01, -02
11	0055091	2	PANEL,INSIDE,LOWER,HARDBOARD,64.05,	FEATURE 31060-02
11	0041099	2	PANEL,INSIDE,LOWER,HARDBOARD,65.68,	FEATURE 31061-01, -02
12	0041100		PANEL,INSIDE,LOWER,HARDBOARD,76.18,	
13	0041078		PANEL,INSIDE,LOWER,76.18, C4RE	
14	1589944	11	PLATE,REINF,BOW CAP,5.62, QB	
15	0041068	10	BOW CAP,INSIDE, C4RE	
16	1589936		PLATE,REINF,BOW CAP,3.38, QB	FEATURE 31060-02
16	1590785		PLATE,REINF,BOW CAP,4.87, QB	FEATURE 31061-01, -02
17	1589944		PLATE,REINF,BOW CAP,5.62, QB	FEATURE 31060-02
17	1589951		PLATE,REINF,BOW CAP,7.37, QB	FEATURE 31061-01, -02

Models: C4RE
 CENTER
 INSIDE SIDE PANELS, WITH FRONT & CENTER DOORS
 4000 MODEL
 To BSN F20055504

Key	PartNumber	Qty	Description	Comment
18	0055040		BOW CAP,INSIDE,FRONT,BODE LIFT DOOR,	FEATURE 31060-02
18	0041070		BOW CAP,INSIDE,FRONT OF CENTER DOOR,	FEATURE 31061-01, -02
19	0055041		BOW CAP,REAR,INSIDE,BODE LIFT DOOR, C4RE	FEATURE 31060-02
19	0041071		BOW CAP,INSIDE,REAR OF CENTER DOOR,	FEATURE 31061-01, -02
20	0038632		PANEL,WINDOW TRIM,DRIVERS, C4RE	
21	1702539		PLATE,REINFORCEMENT,BOW CAP,9.06, QB	
22	1611805		PLATE,REINF,BOW CAP,1.94, QB	
23	1847540		EXTRUSION,LOWER,I/SS PANEL,HARD INT, QB	FORMICA
23	3977261		EXTRUSION,LOWER,I/SS PANEL,SOFT INT 12',	FABRIC
24	1753599		EXTRUSION,CENTER,I/SS PANEL,HARD INT,	FORMICA
24	1589621		EXTRUSION,CTR,I/SS PANEL,SOFT INT GRAY,	FABRIC
25	1753581		EXTRUSION,LOWER,SEAT LEDGE COVER, QBRE	
26	0041069		BOW CAP,INSIDE,REAR OF FRONT DOOR, C4RE	
27	0051517		PLATE,REINFORCEMENT,WINDOW TRIM,DRVRS,	

Models: C4RE
CENTER
INSIDE SIDE PANELS, WITH FRONT & CENTER DOORS
4000 MODEL
BSN: From BSN F20055505

Key	PartNumber	Qty	Description	Comment
-----	------------	-----	-------------	---------



Models: C4RE
CENTER
INSIDE SIDE PANELS, WITH FRONT & CENTER DOORS
4000 MODEL
BSN: From BSN F20055505

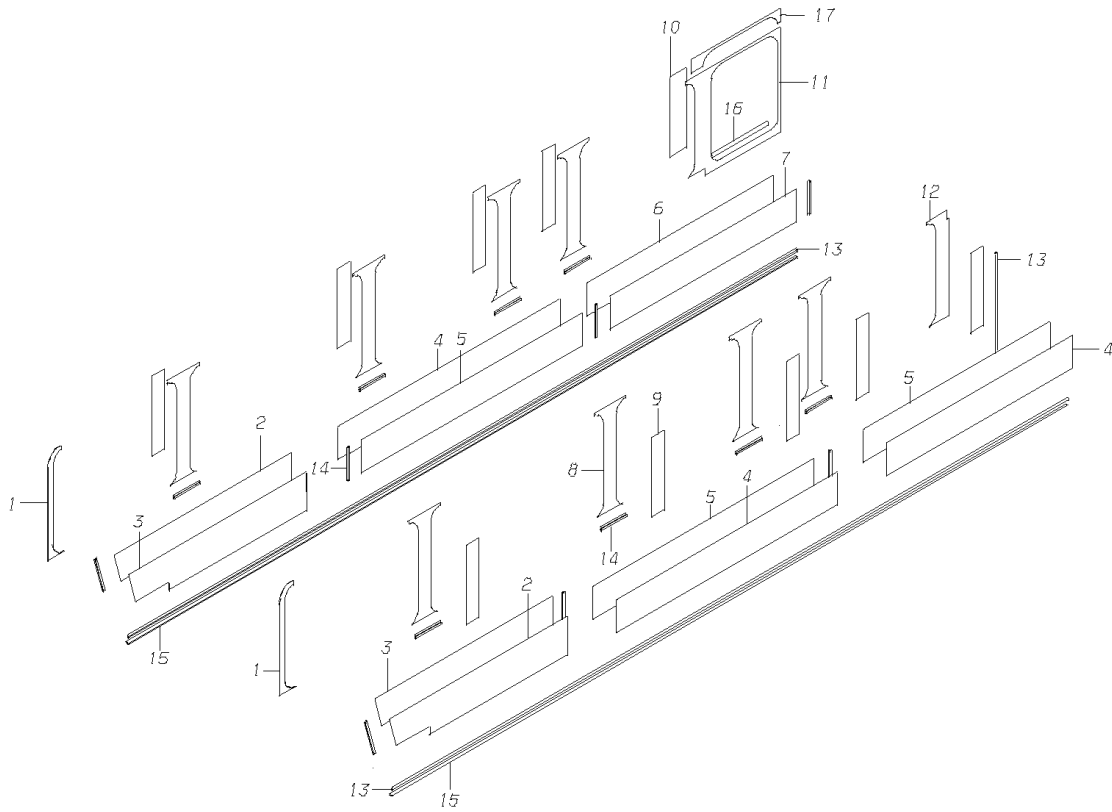
Key	PartNumber	Qty	Description	Comment
1	0046409	2	PANEL,I/S SIDE,HARDBOARD,RR, C4RE	
2	0054812	2	PANEL,INSIDE,LOWER,REAR, C4RE	
3	0041106	2	PANEL,INSIDE,LOWER,REAR,HARDBOARD, C4RE	
4	0054809	3	PANEL,INSIDE,LOWER,96.00, C4RE	
5	0041103	3	PANEL,INSIDE,LOWER,HARDBOARD,96.00,	
6	0054800		PANEL,INSIDE,LOWER,26.50, C4RE	
7	0041096		PANEL,INSIDE,LOWER,HARDBOARD,26.50,	
8	0041097		PANEL,INSIDE,LOWER,HARDBOARD,54.38,	FEATURE 31061-01,-02
8	0055090		PANEL,INSIDE,LOWER,HARDBOARD,52.75,	FEATURE 31060-02
9	0054802		PANEL,INSIDE,LOWER,54.38, C4RE	FEATURE 31061-01,-02
9	0055349		PANEL,INSIDE,LOWER,52.75, C4RE	FEATURE 31060-02
10	0054803		PANEL,INSIDE,LOWER,65.68, C4RE	FEATURE 31061-01,-02
10	0055350		PANEL,INSIDE,LOWER,64.05, C4RE	FEATURE 31060-02
11	0041099	2	PANEL,INSIDE,LOWER,HARDBOARD,65.68,	FEATURE 31061-01,-02
11	0055091	2	PANEL,INSIDE,LOWER,HARDBOARD,64.05,	FEATURE 31060-02
12	0041100		PANEL,INSIDE,LOWER,HARDBOARD,76.18,	
13	0054805		PANEL,INSIDE,LOWER,80.12, C4RE	
14	0054796	11	PLATE,RINF,BPE CAP,5.62	
15	0041068	10	BOW CAP,INSIDE, C4RE	
16	0054880		PLATE,REINF,BOW CAP,4.87, C4RE	FEATURE 31061-01,-02
16	0063433		PLATE,REINF,BOW CAP,3.38, C4RE	FEATURE 31060-02
17	0054881		PLATE,REINF,BOW CAP,7.37, C4RE	FEATURE 31061-01,-02
17	0054796		PLATE,RINF,BPE CAP,5.62	FEATURE 31060-02

Models: C4RE
CENTER
INSIDE SIDE PANELS, WITH FRONT & CENTER DOORS
4000 MODEL
BSN: From BSN F20055505

Key	PartNumber	Qty	Description	Comment
18	0041070		BOW CAP,INSIDE,FRONT OF CENTER DOOR,	FEATURE 31061-01,-02
18	0055040		BOW CAP,INSIDE,FRONT,BODE LIFT DOOR,	FEATURE 31060-02
19	0041071		BOW CAP,INSIDE,REAR OF CENTER DOOR,	FEATURE 31061-01,-02
19	0055041		BOW CAP,REAR,INSIDE,BODE LIFT DOOR, C4RE	FEATURE 31060-02
20	0038632		PANEL,WINDOW TRIM,DRIVERS, C4RE	
21	0054797		PLATE,REINF,BOW CAP,9.06, C4RE	
22	0054879		PLATE,REINF,BOW CAP,1.94, C4RE	
23	1847540		EXTRUSION,LOWER,I/SS PANEL,HARD INT, QB	FORMICA
23	3977261		EXTRUSION,LOWER,I/SS PANEL,SOFT INT 12',	FABRIC
24	1753599		EXTRUSION,CENTER,I/SS PANEL,HARD INT,	FORMICA
24	1589621		EXTRUSION,CTR,I/SS PANEL,SOFT INT GRAY,	FABRIC
25	1753581		EXTRUSION,LOWER,SEAT LEDGE COVER, QBRE	
26	0041069		BOW CAP,INSIDE,REAR OF FRONT DOOR, C4RE	
27	0051517		PLATE,REINFORCEMENT,WINDOW TRIM,DRVRS,	
28	0067152	2	PLATE,REINF,BOW CAP,2.25, C4RE	
NI	1494160		RIVET,.12,CHERRY SSP-42	

Models: C4RE
 CENTER
 INSIDE SIDE PANELS, WITH FRONT DOOR ONLY
 2910 MODEL
 To BSN F20055504

Key	PartNumber	Qty	Description	Comment
-----	------------	-----	-------------	---------

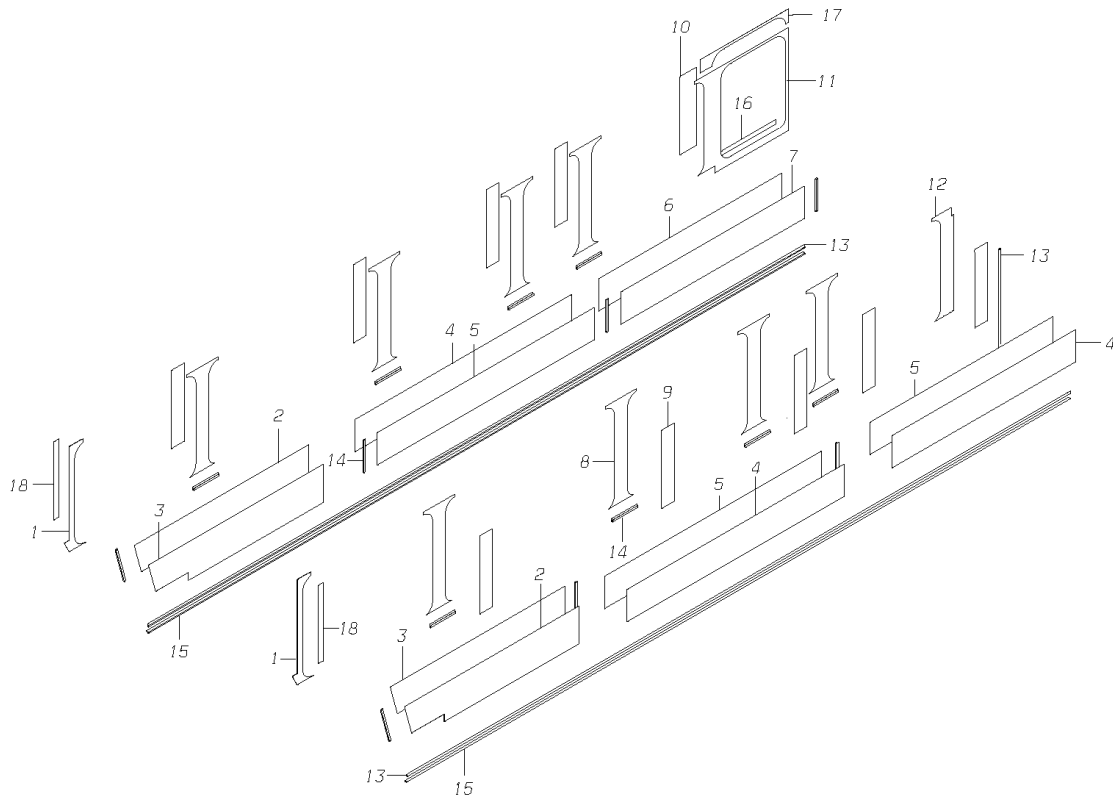


Models: C4RE
 CENTER
 INSIDE SIDE PANELS, WITH FRONT DOOR ONLY
 2910 MODEL
 To BSN F20055504

Key	PartNumber	Qty	Description	Comment
1	0046409	2	PANEL,I/S SIDE,HARDBOARD,RR, C4RE	
2	0041105	2	PANEL,INSIDE,LOWER,REAR, C4RE	
3	0041106	2	PANEL,INSIDE,LOWER,REAR,HARDBOARD, C4RE	
4	0041081	3	PANEL,INSIDE,LOWER,96.00, C4RE	
5	0041103	3	PANEL,INSIDE,LOWER,HARDBOARD,96.00,	
6	0041080		PANEL,INSIDE,LOWER,95.00, C4RE	
7	0041102		PANEL,INSIDE,LOWER,HARDBOARD,95.00,	
8	0041068	8	BOW CAP,INSIDE, C4RE	
9	1589944	9	PLATE,REINF,BOW CAP,5.62, QB	
10	1702539		PLATE,REINFORCEMENT,BOW CAP,9.06, QB	
11	0038632		PANEL,WINDOW TRIM,DRIVERS, C4RE	
12	0041069		BOW CAP,INSIDE,REAR OF FRONT DOOR, C4RE	
13	1847540		EXTRUSION,LOWER,I/SS PANEL,HARD INT, QB	FORMICA
13	3977261		EXTRUSION,LOWER,I/SS PANEL,SOFT INT 12',	FABRIC
14	1753599		EXTRUSION,CENTER,I/SS PANEL,HARD INT,	FORMICA
14	1589621		EXTRUSION,CTR,I/SS PANEL,SOFT INT GRAY,	FABRIC
15	1753581		EXTRUSION,LOWER,SEAT LEDGE COVER, QBRE	
16	1611805		PLATE,REINF,BOW CAP,1.94, QB	
17	0051517		PLATE,REINFORCEMENT,WINDOW TRIM,DRVRS,	

Models: C4RE
CENTER
INSIDE SIDE PANELS, WITH FRONT DOOR ONLY
2910 MODEL
BSN: From BSN F20055505

Key	PartNumber	Qty	Description	Comment
-----	------------	-----	-------------	---------

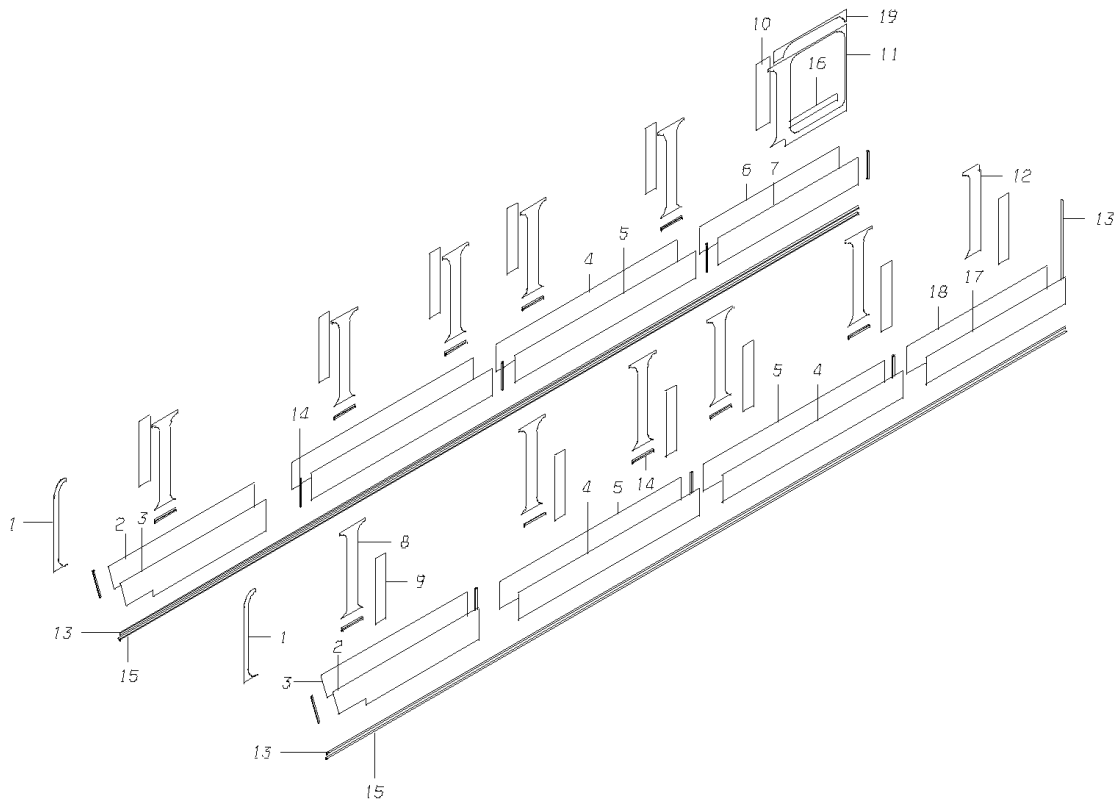


Models: C4RE
CENTER
INSIDE SIDE PANELS, WITH FRONT DOOR ONLY
2910 MODEL
BSN: From BSN F20055505

Key	PartNumber	Qty	Description	Comment
1	0046409	2	PANEL,I/S SIDE,HARDBOARD,RR, C4RE	
2	0054812	2	PANEL,INSIDE,LOWER,REAR, C4RE	
3	0041106	2	PANEL,INSIDE,LOWER,REAR,HARDBOARD, C4RE	
4	0054809	3	PANEL,INSIDE,LOWER,96.00, C4RE	
5	0041103	3	PANEL,INSIDE,LOWER,HARDBOARD,96.00,	
6	0054808		PANEL,INSIDE,LOWER,95.00, C4RE	
7	0041102		PANEL,INSIDE,LOWER,HARDBOARD,95.00,	
8	0041068	8	BOW CAP,INSIDE, C4RE	
9	0054796	9	PLATE,RINF,BPE CAP,5.62	
10	0054797		PLATE,REINF,BOW CAP,9.06, C4RE	
11	0038632		PANEL,WINDOW TRIM,DRIVERS, C4RE	
12	0041069		BOW CAP,INSIDE,REAR OF FRONT DOOR, C4RE	
13	1847540		EXTRUSION,LOWER,I/SS PANEL,HARD INT, QB	FORMICA
13	3977261		EXTRUSION,LOWER,I/SS PANEL,SOFT INT 12',	FABRIC
14	1753599		EXTRUSION,CENTER,I/SS PANEL,HARD INT,	FORMICA
14	1589621		EXTRUSION,CTR,I/SS PANEL,SOFT INT GRAY,	FABRIC
15	1753581		EXTRUSION,LOWER,SEAT LEDGE COVER, QBRE	
16	0054879		PLATE,REINF,BOW CAP,1.94, C4RE	
17	0051517		PLATE,REINFORCEMENT,WINDOW TRIM,DRVRS,	
18	0067152	2	PLATE,REINF,BOW CAP,2.25, C4RE	
NI	1494160		RIVET,.12,CHERRY SSP-42	

Models: C4RE
 CENTER
 INSIDE SIDE PANELS, WITH FRONT DOOR ONLY
 3505 MODEL
 To BSN F20055504

Key	PartNumber	Qty	Description	Comment
-----	------------	-----	-------------	---------

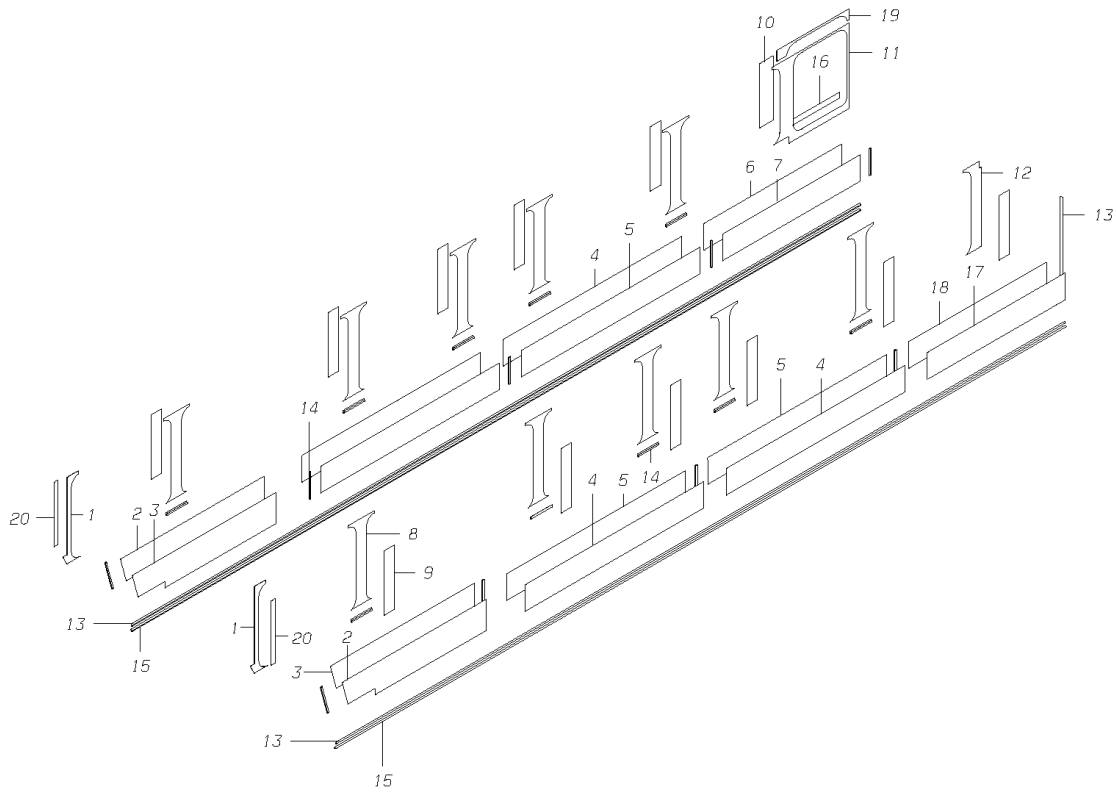


Models: C4RE
 CENTER
 INSIDE SIDE PANELS, WITH FRONT DOOR ONLY
 3505 MODEL
 To BSN F20055504

Key	PartNumber	Qty	Description	Comment
1	0046409	2	PANEL,I/S SIDE,HARDBOARD,RR, C4RE	
2	0041105	2	PANEL,INSIDE,LOWER,REAR, C4RE	
3	0041106	2	PANEL,INSIDE,LOWER,REAR,HARDBOARD, C4RE	
4	0041081	4	PANEL,INSIDE,LOWER,96.00, C4RE	
5	0041103	4	PANEL,INSIDE,LOWER,HARDBOARD,96.00,	
6	0041077		PANEL,INSIDE,LOWER,65.68, C4RE	
7	0041099		PANEL,INSIDE,LOWER,HARDBOARD,65.68,	
8	0041068	10	BOW CAP,INSIDE, C4RE	
9	1589944	11	PLATE,REINF,BOW CAP,5.62, QB	
10	1702539		PLATE,REINFORCEMENT,BOW CAP,9.06, QB	
11	0038632		PANEL,WINDOW TRIM,DRIVERS, C4RE	
12	0041069		BOW CAP,INSIDE,REAR OF FRONT DOOR, C4RE	
13	1847540		EXTRUSION,LOWER,I/SS PANEL,HARD INT, QB	FORMICA
13	3977261		EXTRUSION,LOWER,I/SS PANEL,SOFT INT 12',	FABRIC
14	1753599		EXTRUSION,CENTER,I/SS PANEL,HARD INT,	FORMICA
14	1589621		EXTRUSION,CTR,I/SS PANEL,SOFT INT GRAY,	FABRIC
15	1753581		EXTRUSION,LOWER,SEAT LEDGE COVER, QBRE	
16	1611805		PLATE,REINF,BOW CAP,1.94, QB	
17	0049479		PANEL,INSIDE,LOWER,66.68, C4RE	
18	0049480		PANEL,INSIDE,LOWER,HARDBOARD,66.68,	
19	0051517		PLATE,REINFORCEMENT,WINDOW TRIM,DRVRS,	

Models: C4RE
CENTER
INSIDE SIDE PANELS, WITH FRONT DOOR ONLY
3505 MODEL
BSN: From BSN F20055505

Key	PartNumber	Qty	Description	Comment
-----	------------	-----	-------------	---------

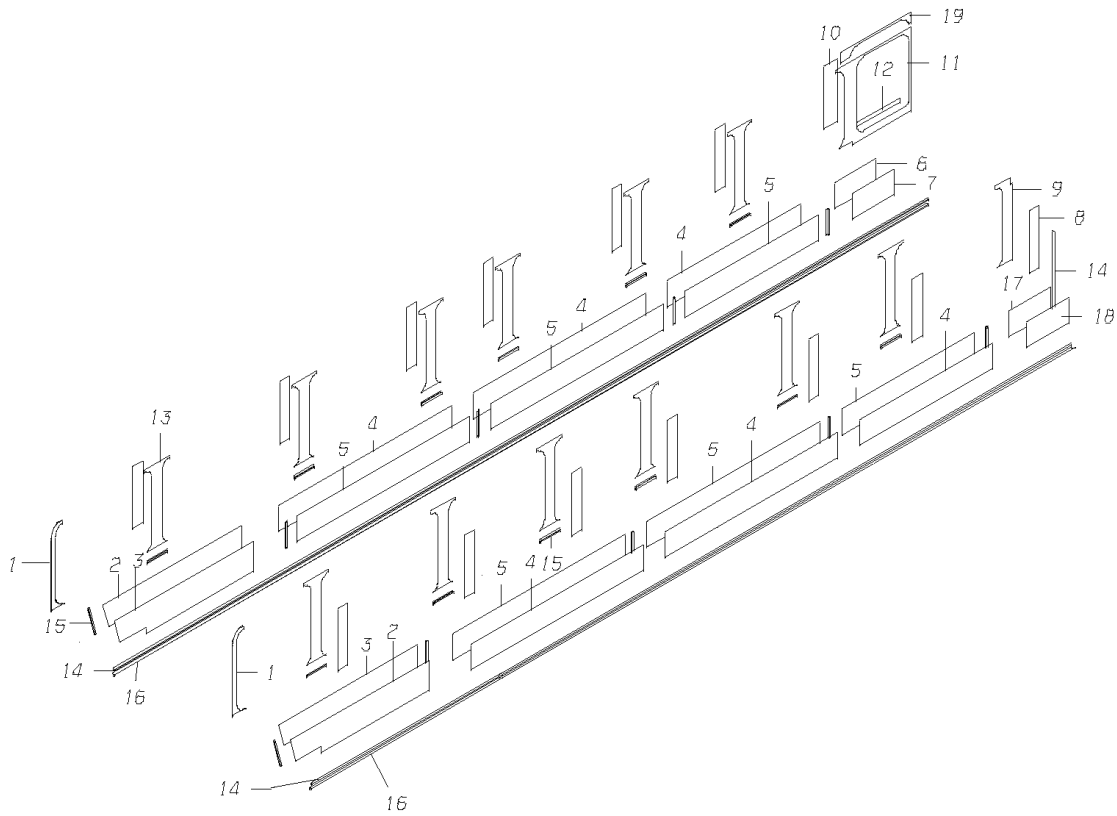


Models: C4RE
CENTER
INSIDE SIDE PANELS, WITH FRONT DOOR ONLY
3505 MODEL
BSN: From BSN F20055505

Key	PartNumber	Qty	Description	Comment
1	0046409	2	PANEL,I/S SIDE,HARDBOARD,RR, C4RE	
2	0054812	2	PANEL,INSIDE,LOWER,REAR, C4RE	
3	0041106	2	PANEL,INSIDE,LOWER,REAR,HARDBOARD, C4RE	
4	0054809	4	PANEL,INSIDE,LOWER,96.00, C4RE	
5	0041103	4	PANEL,INSIDE,LOWER,HARDBOARD,96.00,	
6	0054803		PANEL,INSIDE,LOWER,65.68, C4RE	
7	0041099		PANEL,INSIDE,LOWER,HARDBOARD,65.68,	
8	0041068	10	BOW CAP,INSIDE, C4RE	
9	0054796	11	PLATE,RINF,BPE CAP,5.62	
10	0054797		PLATE,REINF,BOW CAP,9.06, C4RE	
11	0038632		PANEL,WINDOW TRIM,DRIVERS, C4RE	
12	0041069		BOW CAP,INSIDE,REAR OF FRONT DOOR, C4RE	
13	1847540		EXTRUSION,LOWER,I/SS PANEL,HARD INT, QB	FORMICA
13	3977261		EXTRUSION,LOWER,I/SS PANEL,SOFT INT 12',	FABRIC
14	1753599		EXTRUSION,CENTER,I/SS PANEL,HARD INT,	FORMICA
14	1589621		EXTRUSION,CTR,I/SS PANEL,SOFT INT GRAY,	FABRIC
15	1753581		EXTRUSION,LOWER,SEAT LEDGE COVER, QBRE	
16	0054879		PLATE,REINF,BOW CAP,1.94, C4RE	
17	0049479		PANEL,INSIDE,LOWER,66.68, C4RE	
18	0049480		PANEL,INSIDE,LOWER,HARDBOARD,66.68,	
19	0051517		PLATE,REINFORCEMENT,WINDOW TRIM,DRVRS,	
20	0067152	2	PLATE,REINF,BOW CAP,2.25, C4RE	
NI	1494160		RIVET,.12,CHERRY SSP-42	

Models: C4RE
CENTER
INSIDE SIDE PANELS, WITH FRONT DOOR ONLY
4000 MODEL
To BSN F20055504

Key	PartNumber	Qty	Description	Comment
-----	------------	-----	-------------	---------

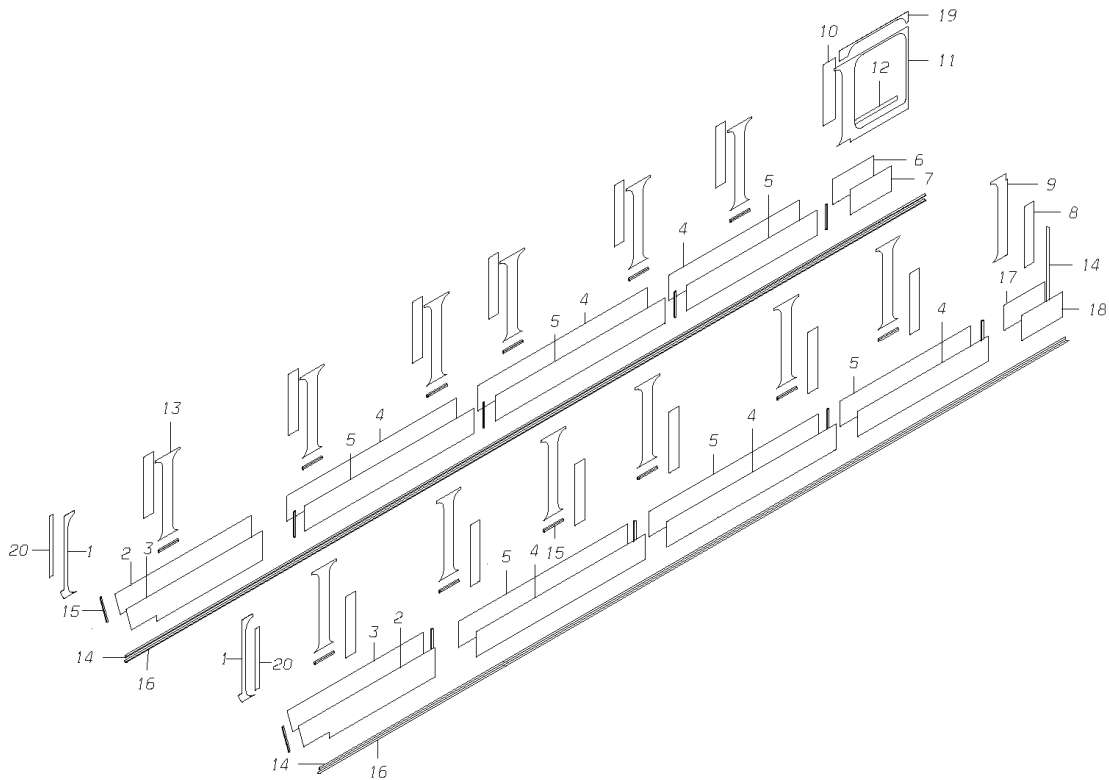


Models: C4RE
 CENTER
 INSIDE SIDE PANELS, WITH FRONT DOOR ONLY
 4000 MODEL
 To BSN F20055504

Key	PartNumber	Qty	Description	Comment
1	0046409	2	PANEL,I/S SIDE,HARDBOARD,RR, C4RE	
2	0041105	2	PANEL,INSIDE,LOWER,REAR, C4RE	
3	0041106	2	PANEL,INSIDE,LOWER,REAR,HARDBOARD, C4RE	
4	0041081	6	PANEL,INSIDE,LOWER,96.00, C4RE	
5	0041103	6	PANEL,INSIDE,LOWER,HARDBOARD,96.00,	
6	0041074		PANEL,INSIDE,LOWER,26.50, C4RE	
7	0041096		PANEL,INSIDE,LOWER,HARDBOARD,26.50,	
8	1589944	13	PLATE,REINF,BOW CAP,5.62, QB	
9	0041069		BOW CAP,INSIDE,REAR OF FRONT DOOR, C4RE	
10	1702539		PLATE,REINFORCEMENT,BOW CAP,9.06, QB	
11	0038632		PANEL,WINDOW TRIM,DRIVERS, C4RE	
12	1611805		PLATE,REINF,BOW CAP,1.94, QB	
13	0041068		BOW CAP,INSIDE, C4RE	
14	1847540		EXTRUSION,LOWER,I/SS PANEL,HARD INT, QB	FORMICA
14	3977261		EXTRUSION,LOWER,I/SS PANEL,SOFT INT 12',	FABRIC
15	1753599		EXTRUSION,CENTER,I/SS PANEL,HARD INT,	FORMICA
15	1589621		EXTRUSION,CTR,I/SS PANEL,SOFT INT GRAY,	FABRIC
16	1753581		EXTRUSION,LOWER,SEAT LEDGE COVER, QBRE	
17	0049482		PANEL,INSIDE,LOWER,HARDBOARD,27.38,	
18	0049481		PANEL,INSIDE,LOWER,27.38, C4RE	
19	0051517		PLATE,REINFORCEMENT,WINDOW TRIM,DRVRS,	

Models: C4RE
CENTER
INSIDE SIDE PANELS, WITH FRONT DOOR ONLY
4000 MODEL
BSN: From BSN F20055505

Key	PartNumber	Qty	Description	Comment
-----	------------	-----	-------------	---------

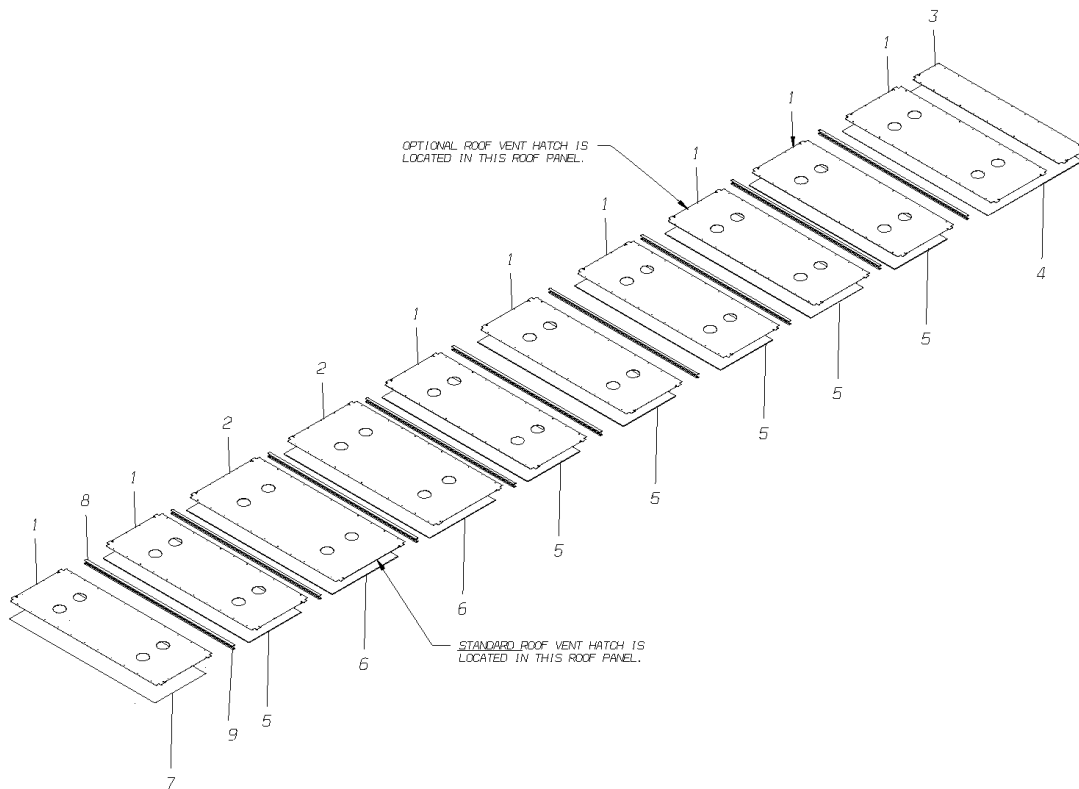


Models: C4RE
CENTER
INSIDE SIDE PANELS, WITH FRONT DOOR ONLY
4000 MODEL
BSN: From BSN F20055505

Key	PartNumber	Qty	Description	Comment
1	0046409	2	PANEL,I/S SIDE,HARDBOARD,RR, C4RE	
2	0054812	2	PANEL,INSIDE,LOWER,REAR, C4RE	
3	0041106	2	PANEL,INSIDE,LOWER,REAR,HARDBOARD, C4RE	
4	0054809	6	PANEL,INSIDE,LOWER,96.00, C4RE	
5	0041103	6	PANEL,INSIDE,LOWER,HARDBOARD,96.00,	
6	0054800		PANEL,INSIDE,LOWER,26.50, C4RE	
7	0041096		PANEL,INSIDE,LOWER,HARDBOARD,26.50,	
8	0054796	13	PLATE,RINF,BPE CAP,5.62	
9	0041069		BOW CAP,INSIDE,REAR OF FRONT DOOR, C4RE	
10	0054797		PLATE,REINF,BOW CAP,9.06, C4RE	
11	0038632		PANEL,WINDOW TRIM,DRIVERS, C4RE	
12	0054879		PLATE,REINF,BOW CAP,1.94, C4RE	
13	0041068	12	BOW CAP,INSIDE, C4RE	
14	1847540		EXTRUSION,LOWER,I/SS PANEL,HARD INT, QB	FORMICA
14	3977261		EXTRUSION,LOWER,I/SS PANEL,SOFT INT 12',	FABRIC
15	1753599		EXTRUSION,CENTER,I/SS PANEL,HARD INT,	FORMICA
15	1589621		EXTRUSION,CTR,I/SS PANEL,SOFT INT GRAY,	FABRIC
16	1753581		EXTRUSION,LOWER,SEAT LEDGE COVER, QBRE	
17	0049482		PANEL,INSIDE,LOWER,HARDBOARD,27.38,	
18	0054801		PANEL,INSIDE,LOWER,27.38, C4RE	
19	0051517		PLATE,REINFORCEMENT,WINDOW TRIM,DRVRS,	
20	0067152	2	PLATE,REINF,BOW CAP,2.25, C4RE	
NI	1494160		RIVET,.12,CHERRY SSP-42	

Models: C4RE
CENTER
ROOF PANELS
2910 MODEL
To BSN F20055504

Key	PartNumber	Qty	Description	Comment
-----	------------	-----	-------------	---------

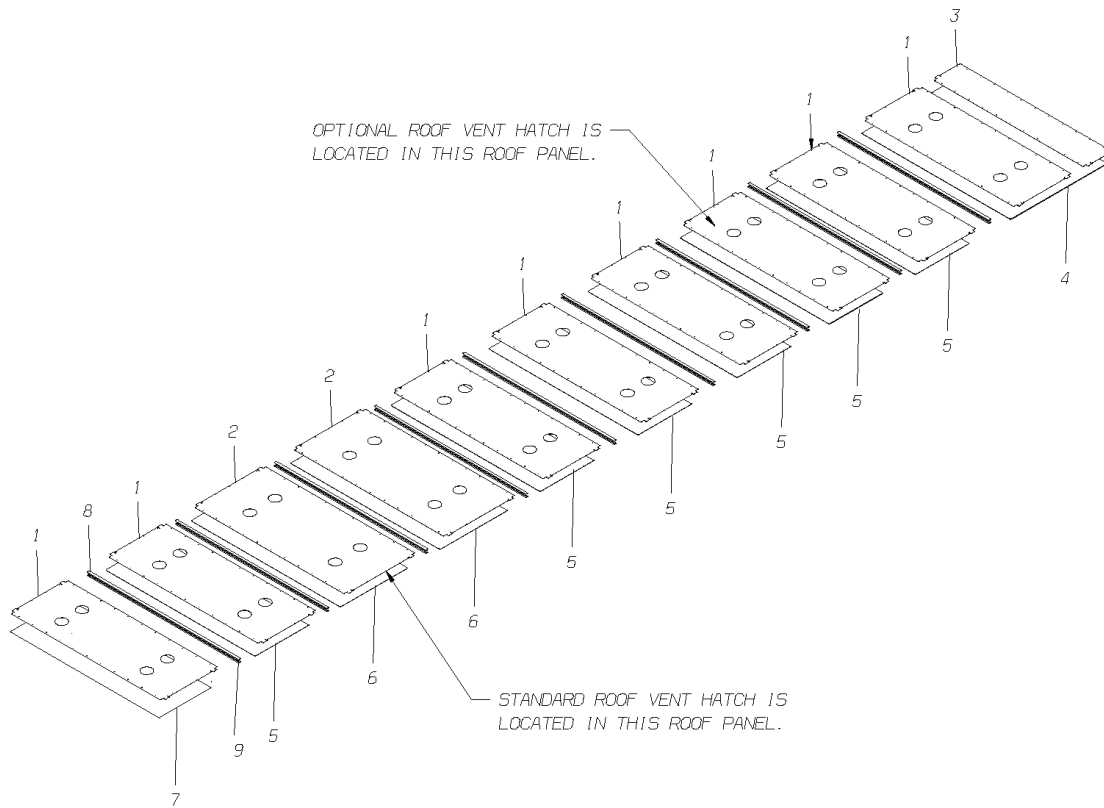


**Models: C4RE
CENTER
ROOF PANELS
2910 MODEL
To BSN F20055504**

Key	PartNumber	Qty	Description	Comment
1	0039969	8	PANEL,ROOF,INTERIOR,28.00, C4RE	
2	0039971	2	PANEL,ROOF,INTERIOR,35.00, C4RE	
3	0041416		PANEL,ROOF,INTERIOR,FRONT, C4RE	
4	0041059		PANEL,ROOF,INSIDE HARDBOARD,40.50, C4RE	
5	0041056	6	PANEL,ROOF,INSIDE HARDBOARD,27.63, C4RE	
6	0041058	2	PANEL,ROOF,INSIDE HARDBOARD,34.63, C4RE	
7	0043184		PANEL,ROOF,HARDBOARD,REAR BULKHEAD,	
8	1909274		TRIM,AISLE BASE,BLACK VINYL (8FT)	8 FT.
9	0038634		TRIM,HEADLINING,FLEXIBLE PVC,C4RE	

Models: C4RE
CENTER
ROOF PANELS
2910 MODEL
BSN: From BSN F20055505

Key	PartNumber	Qty	Description	Comment
-----	------------	-----	-------------	---------

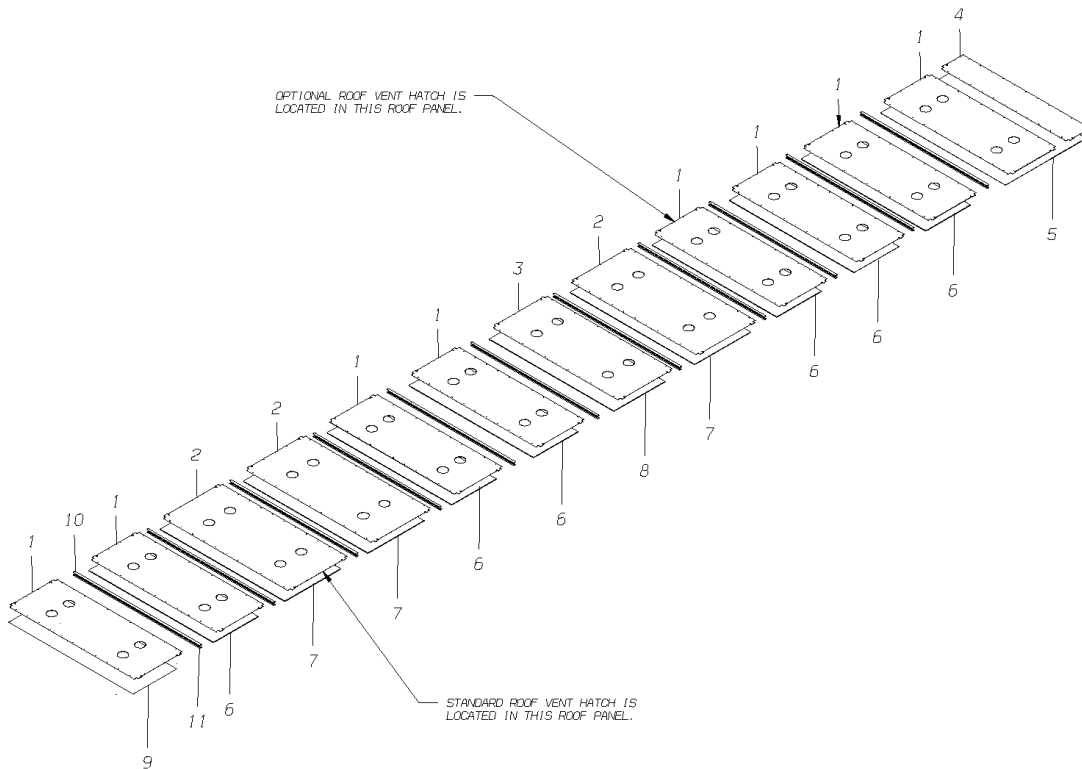


Models: C4RE
**CENTER
 ROOF PANELS
 2910 MODEL**
BSN: From BSN F20055505

Key	PartNumber	Qty	Description	Comment
1	0054784	8	PANEL,ROOF,INTERIOR,28.00, C4RE	
2	0054786	2	PANEL,ROOF,INTERIOR,35.00, C4RE	
3	0054783		PANEL,ROOF,INTERIOR,FRONT, C4RE	
4	0041059		PANEL,ROOF,INSIDE HARDBOARD,40.50, C4RE	
5	0041056	6	PANEL,ROOF,INSIDE HARDBOARD,27.63, C4RE	
6	0041058	2	PANEL,ROOF,INSIDE HARDBOARD,34.63, C4RE	
7	0043184		PANEL,ROOF,HARDBOARD,REAR BULKHEAD,	
8	1909274	A/	TRIM,AISLE BASE,BLACK VINYL (8FT)	<i>8FT</i>
9	0038634	A/	TRIM,HEADLINING,FLEXIBLE PVC,C4RE	

Models: C4RE
CENTER
ROOF PANELS
3505 MODEL
To BSN F20055504

Key	PartNumber	Qty	Description	Comment
-----	------------	-----	-------------	---------

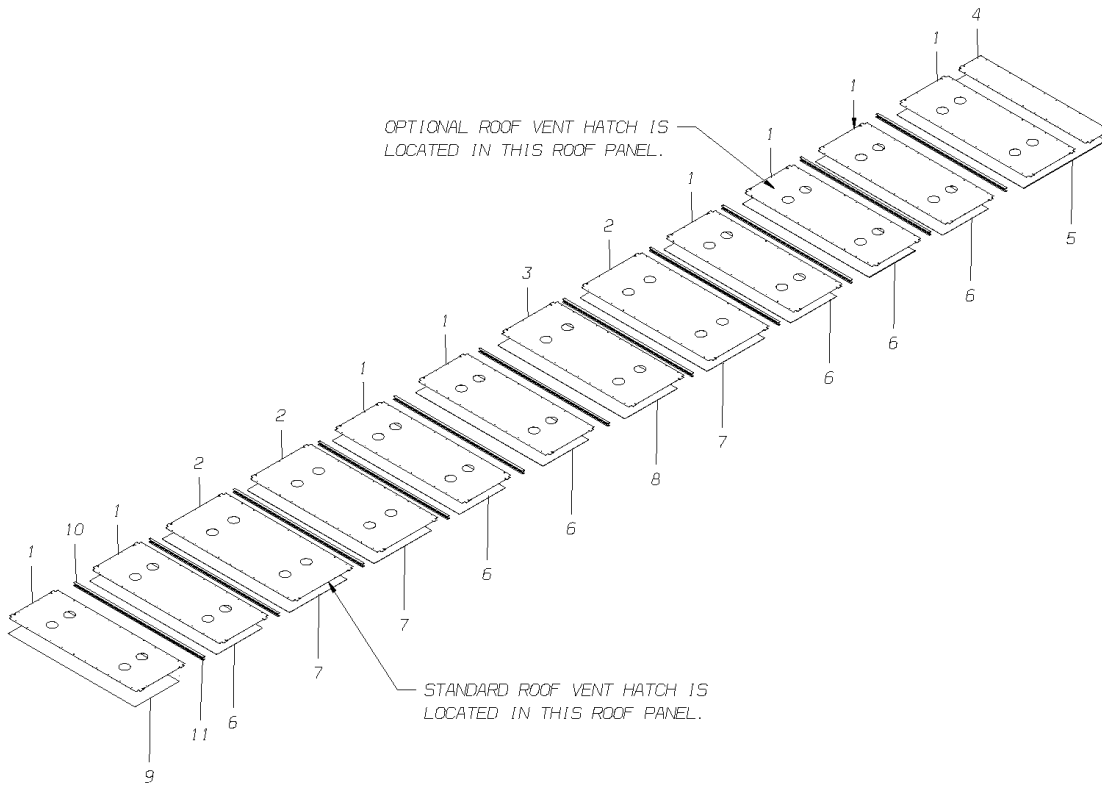


**Models: C4RE
CENTER
ROOF PANELS
3505 MODEL
To BSN F20055504**

Key	PartNumber	Qty	Description	Comment
1	0039969	8	PANEL,ROOF,INTERIOR,28.00, C4RE	
2	0039971		PANEL,ROOF,INTERIOR,35.00, C4RE	
3	0039970		PANEL,ROOF,INTERIOR,32.00, C4RE	
4	0041416		PANEL,ROOF,INTERIOR,FRONT, C4RE	
5	0041059		PANEL,ROOF,INSIDE HARDBOARD,40.50, C4RE	
6	0041056	6	PANEL,ROOF,INSIDE HARDBOARD,27.63, C4RE	
7	0041058	3	PANEL,ROOF,INSIDE HARDBOARD,34.63, C4RE	
8	0041057		PANEL,ROOF,INSIDE HARDBOARD,31.63, C4RE	
9	0043184		PANEL,ROOF,HARDBOARD,REAR BULKHEAD,	
10	1909274	8	TRIM,AISLE BASE,BLACK VINYL (8FT)	
11	0038634		TRIM,HEADLINING,FLEXIBLE PVC,C4RE	

Models: C4RE
CENTER
ROOF PANELS
3505 MODEL
BSN: From BSN F20055505

Key	PartNumber	Qty	Description	Comment
-----	------------	-----	-------------	---------

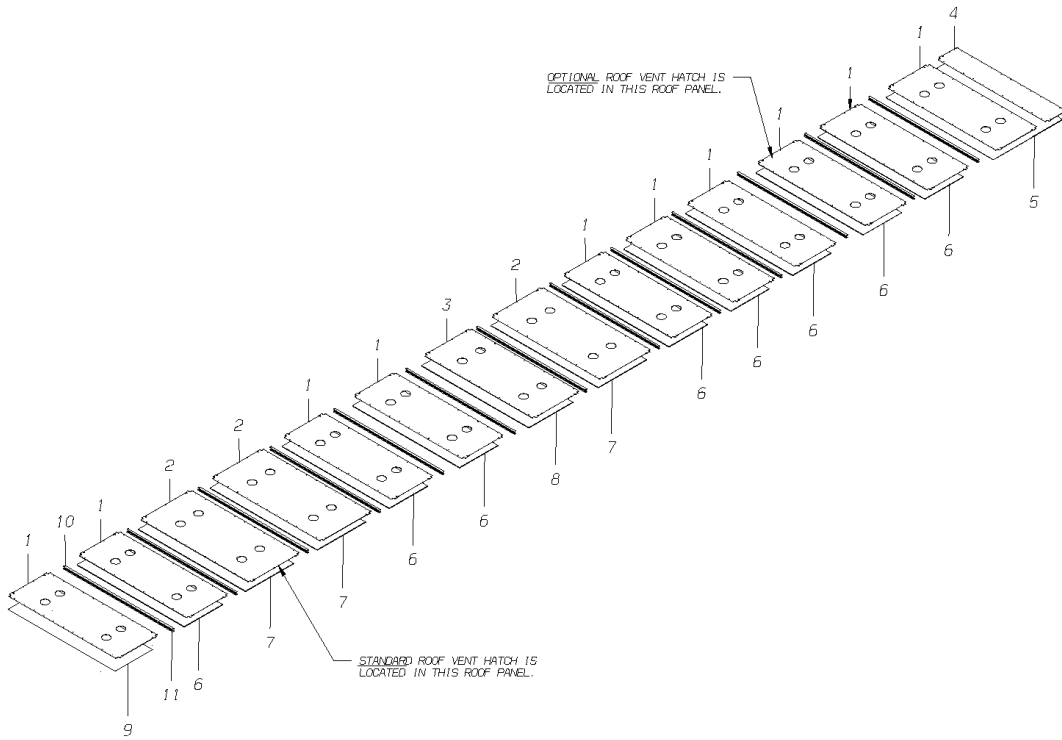


Models: C4RE
**CENTER
 ROOF PANELS
 3505 MODEL**
BSN: From BSN F20055505

Key	PartNumber	Qty	Description	Comment
1	0054784	8	PANEL,ROOF,INTERIOR,28.00, C4RE	
2	0054786	3	PANEL,ROOF,INTERIOR,35.00, C4RE	
3	0054785		PANEL,ROOF,INTERIOR,32.00, C4RE	
4	0054783		PANEL,ROOF,INTERIOR,FRONT, C4RE	
5	0041059		PANEL,ROOF,INSIDE HARDBOARD,40.50, C4RE	
6	0041056	6	PANEL,ROOF,INSIDE HARDBOARD,27.63, C4RE	
7	0041058	3	PANEL,ROOF,INSIDE HARDBOARD,34.63, C4RE	
8	0041057		PANEL,ROOF,INSIDE HARDBOARD,31.63, C4RE	
9	0043184		PANEL,ROOF,HARDBOARD,REAR BULKHEAD,	
10	1909274	A/	TRIM,AISLE BASE,BLACK VINYL (8FT)	8FT
11	0038634	A/	TRIM,HEADLINING,FLEXIBLE PVC,C4RE	

Models: C4RE
CENTER
ROOF PANELS
4000 MODEL
To BSN F20055504

Key	PartNumber	Qty	Description	Comment
-----	------------	-----	-------------	---------

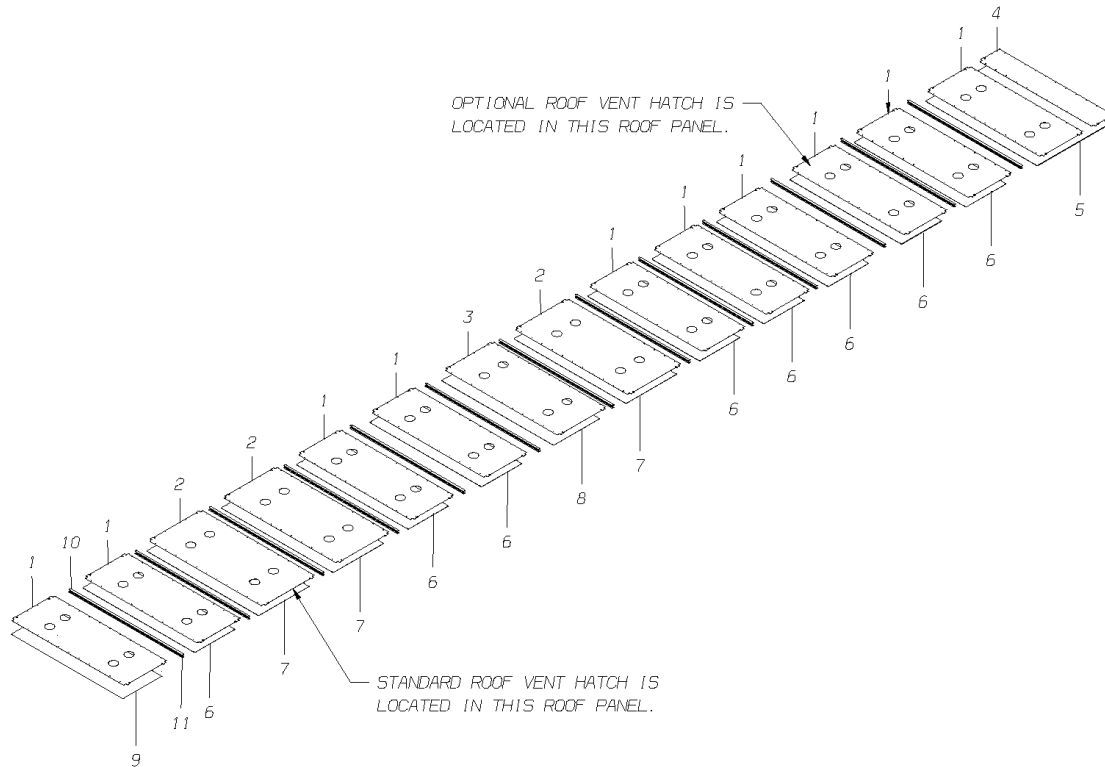


**Models: C4RE
CENTER
ROOF PANELS
4000 MODEL
To BSN F20055504**

Key	PartNumber	Qty	Description	Comment
1	0039969	10	PANEL,ROOF,INTERIOR,28.00, C4RE	
2	0039971	3	PANEL,ROOF,INTERIOR,35.00, C4RE	
3	0039970		PANEL,ROOF,INTERIOR,32.00, C4RE	
4	0041416		PANEL,ROOF,INTERIOR,FRONT, C4RE	
5	0041059		PANEL,ROOF,INSIDE HARDBOARD,40.50, C4RE	
6	0041056	8	PANEL,ROOF,INSIDE HARDBOARD,27.63, C4RE	
7	0041058	3	PANEL,ROOF,INSIDE HARDBOARD,34.63, C4RE	
8	0041057		PANEL,ROOF,INSIDE HARDBOARD,31.63, C4RE	
9	0043184		PANEL,ROOF,HARDBOARD,REAR BULKHEAD,	
10	1909274		TRIM,AISLE BASE,BLACK VINYL (8FT)	8 FT.
11	0038634		TRIM,HEADLINING,FLEXIBLE PVC,C4RE	

Models: C4RE
CENTER
ROOF PANELS
4000 MODEL
BSN: From BSN F20055505

Key	PartNumber	Qty	Description	Comment
-----	------------	-----	-------------	---------

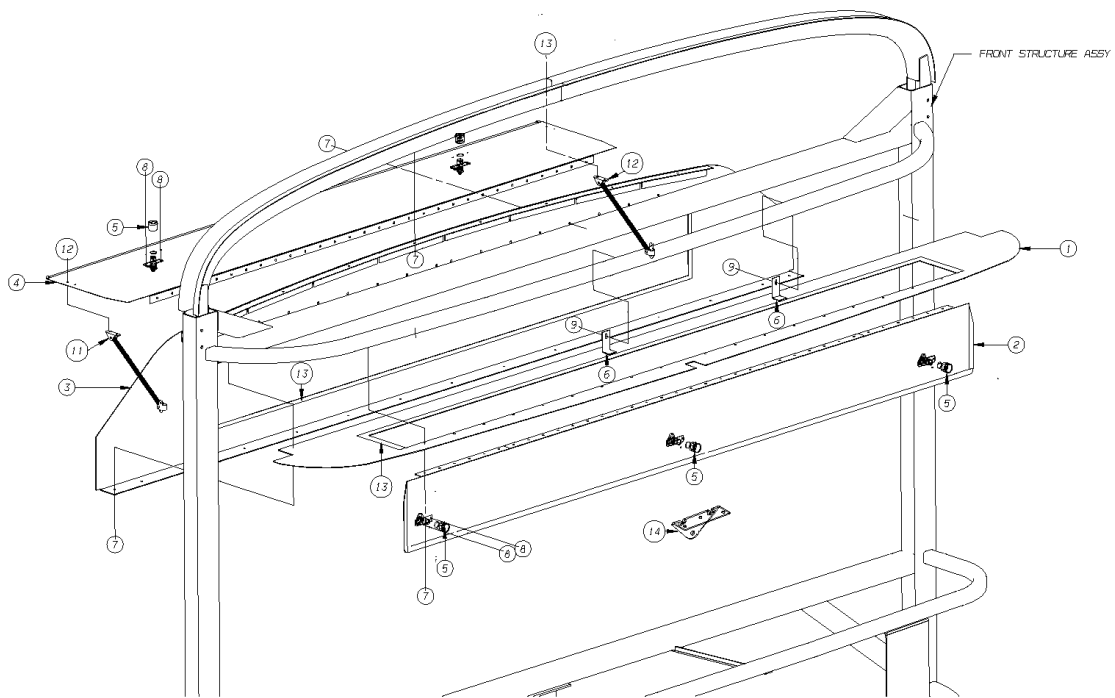


Models: C4RE
CENTER
ROOF PANELS
4000 MODEL
BSN: From BSN F20055505

Key	PartNumber	Qty	Description	Comment
1	0054784	10	PANEL,ROOF,INTERIOR,28.00, C4RE	
2	0054786	3	PANEL,ROOF,INTERIOR,35.00, C4RE	
3	0054785		PANEL,ROOF,INTERIOR,32.00, C4RE	
4	0054783		PANEL,ROOF,INTERIOR,FRONT, C4RE	
5	0041059		PANEL,ROOF,INSIDE HARDBOARD,40.50, C4RE	
6	0041056	8	PANEL,ROOF,INSIDE HARDBOARD,27.63, C4RE	
7	0041058	3	PANEL,ROOF,INSIDE HARDBOARD,34.63, C4RE	
8	0041057		PANEL,ROOF,INSIDE HARDBOARD,31.63, C4RE	
9	0043184		PANEL,ROOF,HARDBOARD,REAR BULKHEAD,	
10	1909274	A/	TRIM,AISLE BASE,BLACK VINYL (8FT)	8FT
11	0038634	A/	TRIM,HEADLINING,FLEXIBLE PVC,C4RE	

Models: C4RE
 FRONT
 UPPER INNER PANELS WITH DESTINATION SIGN

Key	PartNumber	Qty	Description	Comment
-----	------------	-----	-------------	---------

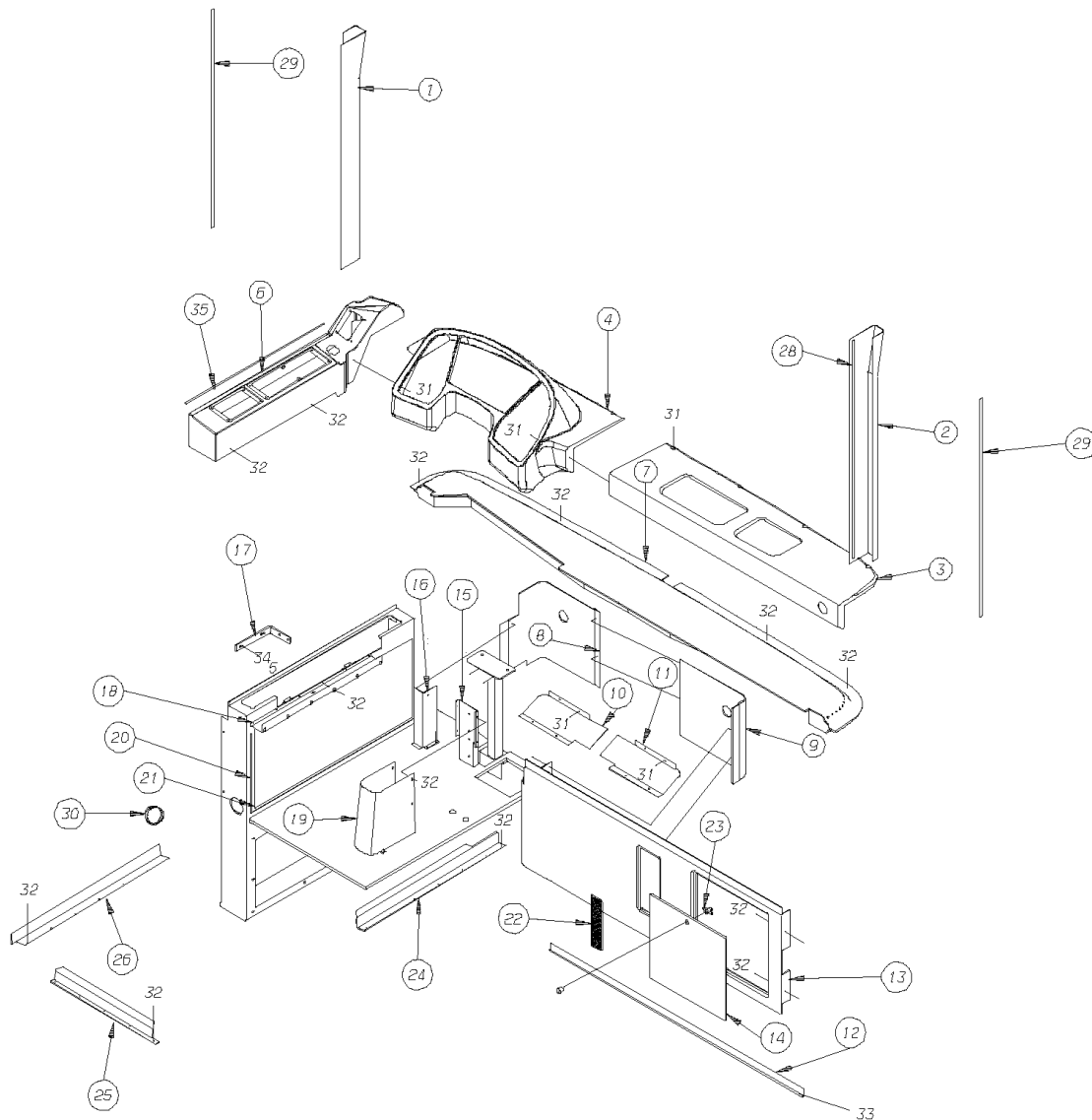


**Models: C4RE
FRONT
UPPER INNER PANELS WITH DESTINATION SIGN**

Key	PartNumber	Qty	Description	Comment
1	0041255		PANEL,SERVICE,DESTINATION SIGN, C4RE	
2	0046488		DOOR ASSY,SERVICE,DESTINATION SIGN,	
3	0046499		PANEL ASSY,CLOSEOUT,DESTINATION SIGN,	
4	0041061		PANEL ASSY,DOOR,DESTINATION SIGN, C4RE	
5	0044694	5	LATCH,SPRING,INTERIOR COMPARTMENT	
6	0042738	4	ANGLE,ATTACHING,SERVICE PANEL, C4RE	
7	1415769		RIVET,POP,.18 X .45,CHERRY SSPS-6-4	
8	1941913		RIVET,.156,CHERRY,SSP-5-4	
9	1143676		SCREW,10-16 X 3/4, AB,PH1,PAN HD,BLK ZN,	
10	0005364		SEALANT,SIKAFLEX,221 BLACK,INDUSTRIAL	
11	1762244	2	SUPPORT,DOOR,SPRING,EMERGENCY EQUIP	
12	1494160		RIVET,.12,CHERRY SSP-42	
NI	1761428	2	BRACKET,MTG,SUPPORT,DEST SIGN DOOR	

**Models: C4RE
FRONT DASH
INSTALLATION**

Key	PartNumber	Qty	Description	Comment
-----	------------	-----	-------------	---------



**Models: C4RE
FRONT DASH
INSTALLATION**

Key	PartNumber	Qty	Description	Comment
1	0026390		COVER,CORNER POST,FRONT LEFT HAND, C4RE	
2	0026375		COVER,CORNER POST,FRONT,RIGHT HAND,	
3	0041476		PANEL,DASH,TOP,RIGHT HAND,C4RE	
4	0038432		DASH,POD,INSTRUMENT PANEL, C4RE	
5	2000198	2	SCREW,5/16-18 X 1,D,HEX HD,YEL ZN DICH	
6	0038433		PANEL,ARMREST,DRIVER'S, C4RE	
7	0038431		PLENUM,DEFROST, C4RE	
8	0038401		CLOSEOUT,DRIVERS,UNDER DASH,LEFT HAND,	
9	0038399		CLOSEOUT,DRIVERS,UNDER DASH,RIGHT HAND	
10	0042965		PANEL,CLOSEOUT,DRIVERS FLOOR,LH, C4RE	
11	0042964		PANEL,CLOSEOUT,DRIVERS FLOOR,RH, C4RE	
12	0052269		EXTRUSION,CLOSEOUT,UNDERDASH, C4RE	
13	0037698		PANEL,CLOSEOUT,UNDERDASH, C4RE	
14	0033364		DOOR,CLOSEOUT,UNDER DASH, C4RE	
15	0055051		BRACKET,COVER,STEERING SHAFT, C4RE	
16	0055049		TRIM,CLOSEOUT,DRIVERS FLOOR, C4RE	
17	0043358		BRACKET,DOOR CONTROL, C4RE	
18	0035977		BRACE,ARM REST,DRIVERS, C4RE	
19	0055050		COVER,CLOSEOUT,STEERING SHAFT, C4RE	
20	1847540		EXTRUSION,LOWER,I/SS PANEL,HARD INT, QB	
21	0052380		PANEL,DRIVERS,HARDBOARD, C4RE	
22	0056998		GRILLE,RETURN AIR,FRONT HEATER,PAINTED	
23	0044694		LATCH,SPRING,INTERIOR COMPARTMENT	

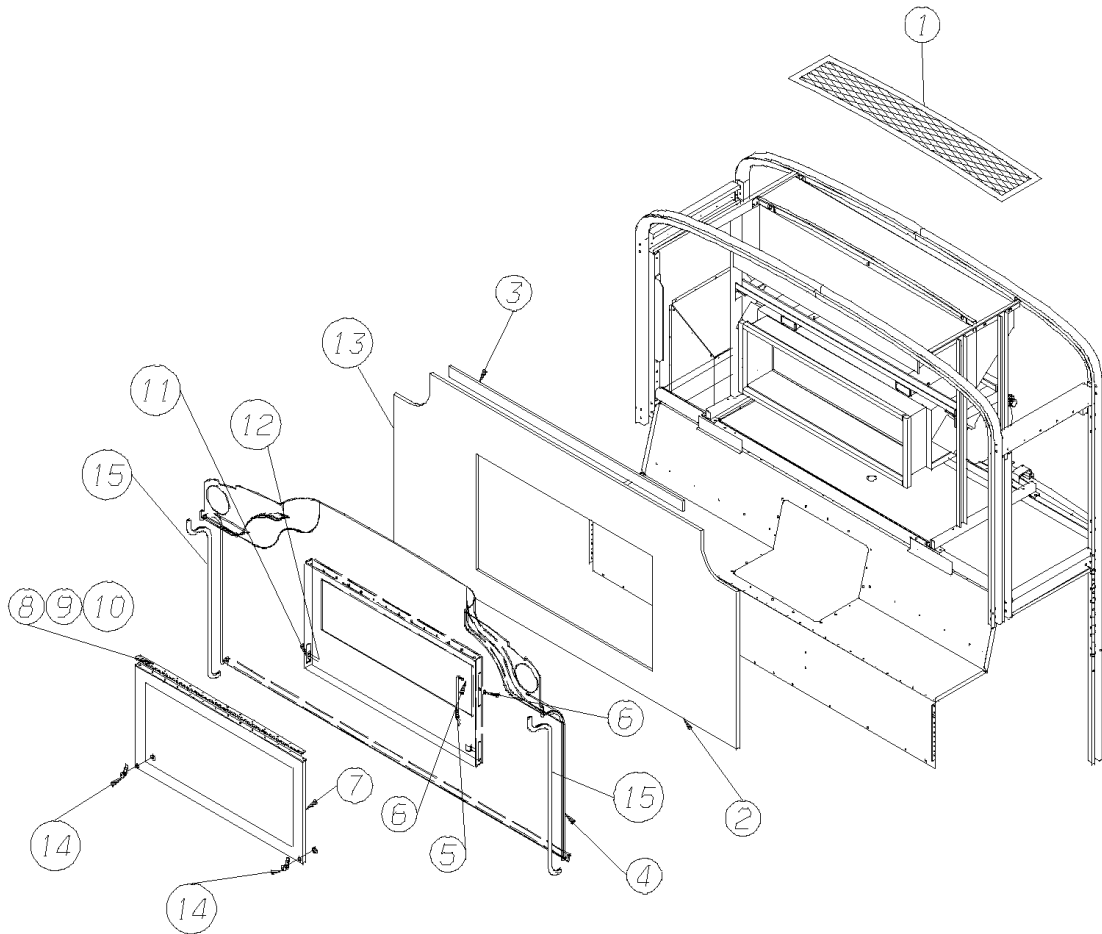
**Models: C4RE
FRONT DASH
INSTALLATION**

Key	PartNumber	Qty	Description	Comment
24	0055045		TRIM,DRIVERS PLATFORM,RIGHT HAND, C4RE	
25	0055046		TRIM,DRIVERS PLATFORM,REAR, C4RE	
26	0037492		TRIM,DRIVERS PLATFORM,LH, C4RE	
27	0042230	5	LOUVRE ASSY,GLOBAL,2.00,REVCOR 2385-A-2	
28	1631845		VELCRO,HOOK,BLACK,1.00 X 50 YDS,SJ3572	
29	1631852		VELCRO,LOOP,BLACK,1.00 X 50 YDS,SJ3571	
30	1638162		PLUG,BUTTON,BLACK,DP-30,HEYCO 2455	
31	1801067	25	SCREW,8-18 X 3/4,PH1,PAN HD,BLKZN,S/DRILL	
32	1143676	46	SCREW,10-16 X 3/4, AB,PH1,PAN HD,BLK ZN,	
33	2186401	9	SCREW,10-16 X 1/2,AB,PH1,PAN HD,YEL ZN	
34	1107085	4	WASHER,FLAT,13/32 X 13/16 X 3/32,HDN,BLK	
35	0830059	2	TAPE,FOAM,1/2X3/4,CLSD CELL NEOPRENE ADH	
NI	2217578	2	RIVET,BLIND,ALUM,1/8 DIA,W/ST M,251-312	

Models: C4RE
 REAR
 WALL INSTALLATION, WITH EM17 CARRIER A/C

With: FEATURE 38102-10, -11
 To BSN F20054360

Key	PartNumber	Qty	Description	Comment
-----	------------	-----	-------------	---------



Models: C4RE
REAR
WALL INSTALLATION, WITH EM17 CARRIER A/C
With: FEATURE 38102-10, -11
To BSN F20054360

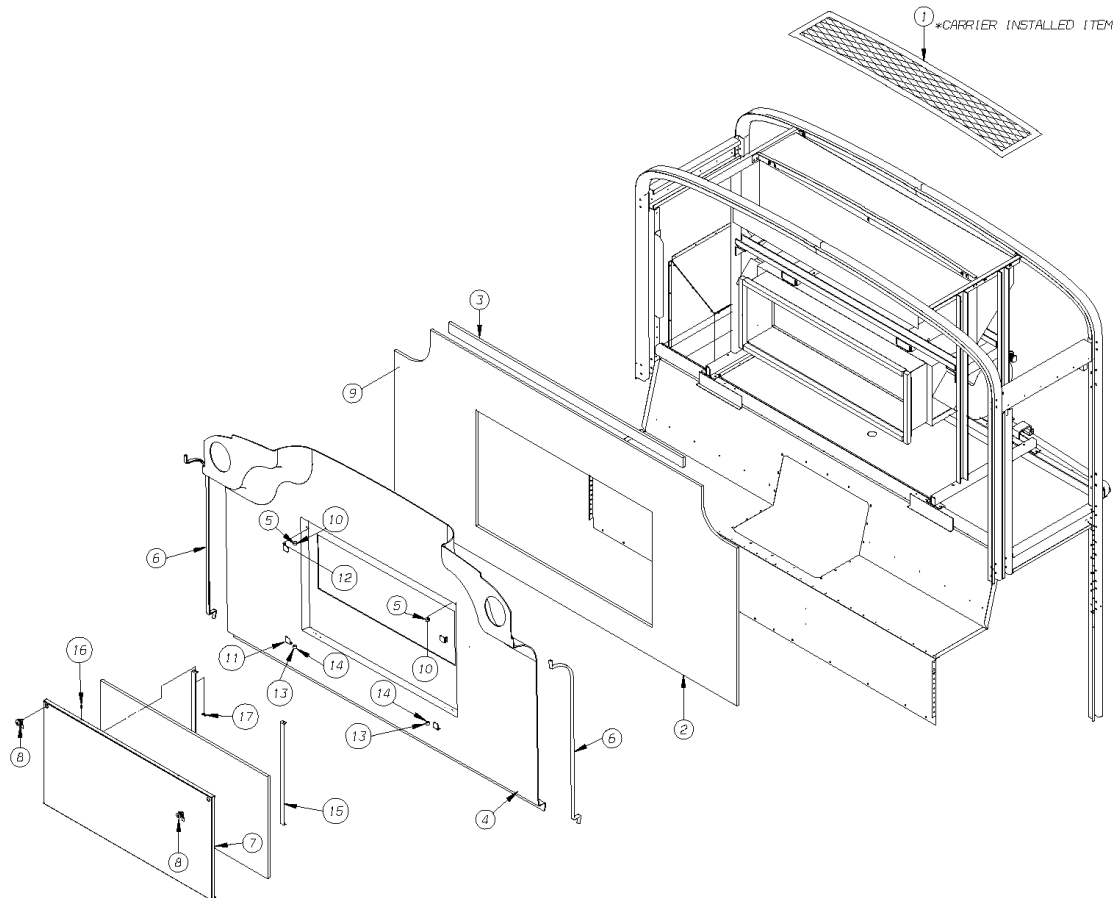
Key	PartNumber	Qty	Description	Comment
1	0050543		GRILLE,OUTSIDE,RETURN AIR,CARRIER EM17	
2	0042189		PLYWOOD,REAR BULKHEAD WALL,WITH A/C,	
3	0052322		PLYWOOD,UPPER,RR BULKHEAD WALL W/EM17,	
4	0049500		PANEL,BULKHEAD,REAR,EM17 A/C, C4RE	
5	0043598		ROD,PROP,GRILLE,CARRIER RETURN AIR, C4RE	
6	1435015	2	NUT,HEX HD,5/16-18,FLANGED,YELLOW	
7	0042100		GRILLE,RETURN AIR,CARRIER RM35, C4RE	
8	0046600		HINGE,STAINLESS,.120 PIN X 2.50 OPEN,46.50	
9	1541176	28	SCREW,MACH 1/4-20 X 3/4,PH1,TRUSSHD,	
10	2001345	28	NUT,HEX HD,1/4-20,LOCKING,YELLOW	
11	0052324	2	ANGLE,LATCH,A/C BULKHEAD DOOR, C4RE	
12	1143676	4	SCREW,10-16 X 3/4, AB,PH1,PAN HD,BLK ZN,	
13	2000495	20	SCREW,8-18 X1,AB,PH1,OVAL CNSK HD,	
14	0043443	2	LATCH,QUAD PNL,SQUARE,SOUTHCO E5-2-085	
15	1702547		TRIM,VINYL,GRAY,DOUBLE LIP,75000321	

Models: C4RE
 REAR
 WALL INSTALLATION, WITH EM17 CARRIER A/C

With: FEATURE 38102-10, -11

BSN: From BSN F20054361

Key	PartNumber	Qty	Description	Comment
-----	------------	-----	-------------	---------



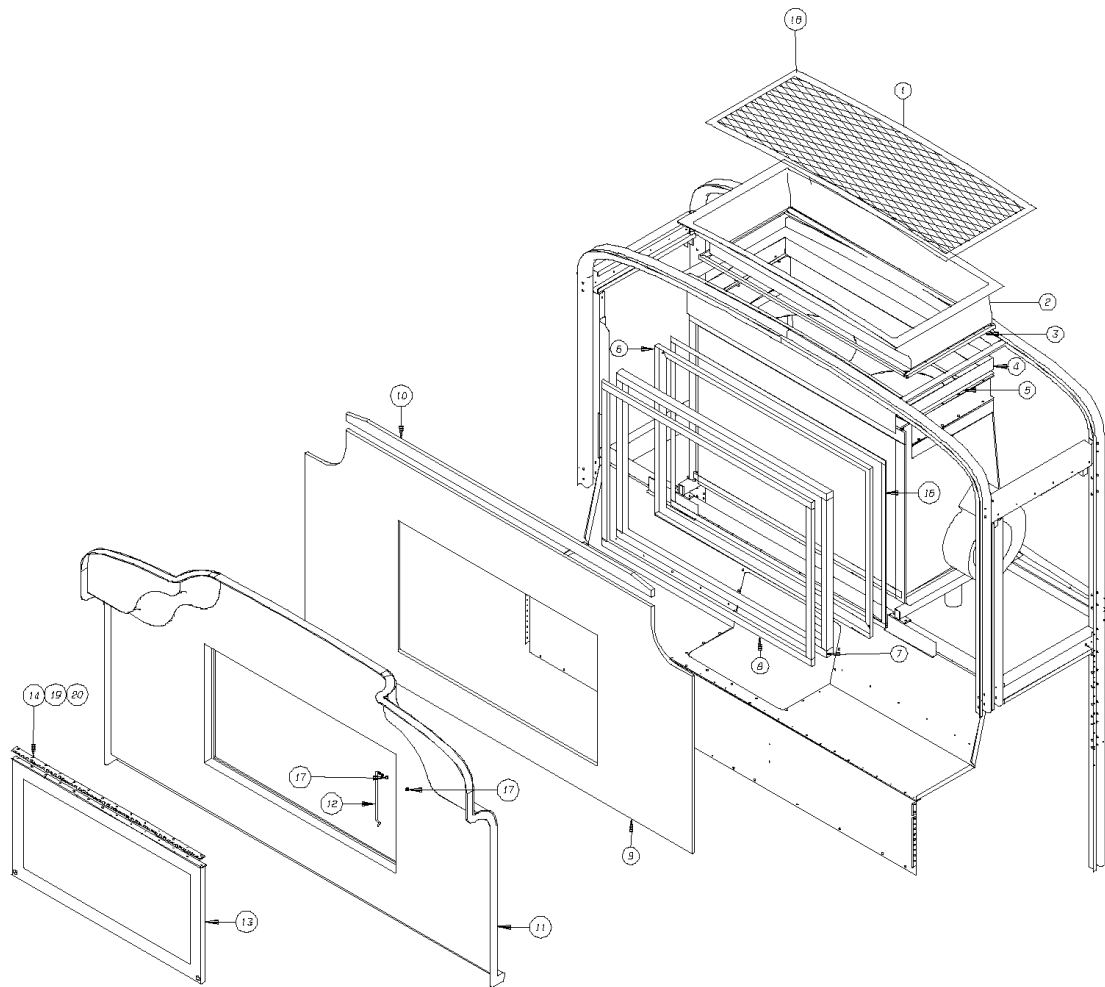
Models: C4RE
REAR
WALL INSTALLATION, WITH EM17 CARRIER A/C
With: FEATURE 38102-10, -11
BSN: From BSN F20054361

Key	PartNumber	Qty	Description	Comment
1	0050543		GRILLE,OUTSIDE,RETURN AIR,CARRIER EM17	
2	0042189		PLYWOOD,REAR BULKHEAD WALL,WITH A/C,	
3	0052322		PLYWOOD,UPPER,RR BULKHEAD WALL W/EM17,	
4	0055403		PANEL,BULKHEAD,REAR,EM 17,A/C, C4RE	
5	1551381		BUMPER,.50 X .25,TC ACCESS DOOR	
6	1702547	8	TRIM,VINYL,GRAY,DOUBLE LIP,75000321	
7	0055404		PANEL,GRILL,AIR RETURN,INSIDE,A/C, C4RE	
8	0043443	2	LATCH,QUAD PNL,SQUARE,SOUTHCO E5-2-085	
9	2000495	20	SCREW,8-18 X1,AB,PH1,OVAL CNSK HD,	
10	1563816	2	SCREW,6-32X3/8,F,PH1,OVAL CNSK HD,	
11	0052324	4	ANGLE,LATCH,A/C BULKHEAD DOOR, C4RE	
12	1143676	8	SCREW,10-16 X 3/4, AB,PH1,PAN HD,BLK ZN,	
13	1486919	2	BUMPER,RUBBER RECESS,.469 X .719 DIA	
14	0527267	2	SCREW,6-20 X 1/2,AB,PH1,PAN HD,YEL ZN	
15	0068037	2	BRACKET,RETAINING,FILTER,RETURN AIR,C4RE	
16	1966837	4	SCREW,MACH,10-32X1/2,PH1,PAN HD,BLK ZN	
17	1629120	4	NUT,WING,10-32	

Models: C4RE
 REAR
 WALL INSTALLATION, WITH RM35 CARRIER A/C

With: FEATURE 38102-08
 To BSN F20054360

Key	PartNumber	Qty	Description	Comment
-----	------------	-----	-------------	---------



Models: C4RE
REAR
WALL INSTALLATION, WITH RM35 CARRIER A/C
With: **FEATURE 38102-08**
To BSN F20054360

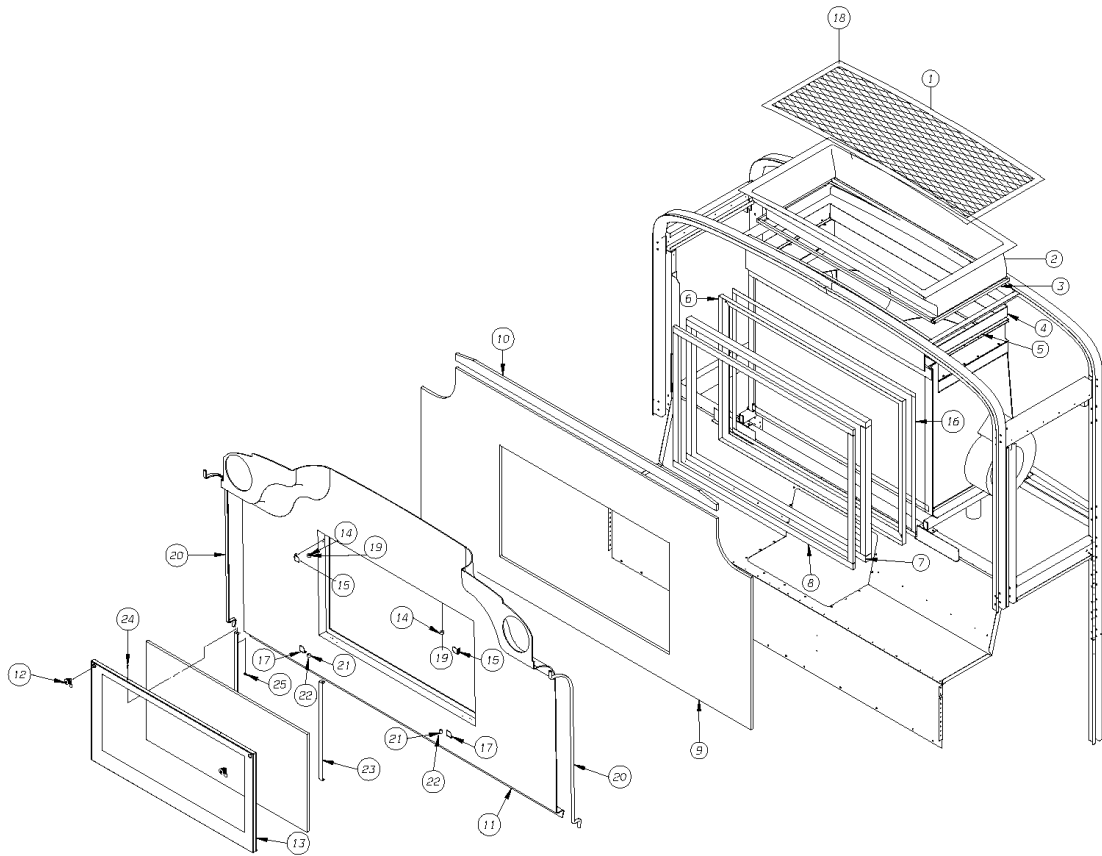
Key	PartNumber	Qty	Description	Comment
1	0042804		GRILLE,OUTSIDE,RETURN AIR,CARRIER RM35	
2	0038430		SHROUD,UPPER,CARRIER RM35 AIR CNDTNR,	
3	1829704	13	SEAL,RUBBER,CLEAN SEAL G-7056	
4	1936442	2	ADAPTOR,SHROUD,UPPER,TK T2 AC, QB/CS	
5	0621953	8	TAPE,FOAM,1/8X3/4X50FT,CLSD.CELL NEOP.	
6	0042963	2	SEAL,FLANGE,CARRIER RM35 AIR CNDTNR,	
7	1490630	5	FOAM,ADHESIVE BACK,CLOSE	
8	1490622	3	FOAM,ADHESIVE BACK,CLOSE	
9	0042189		PLYWOOD,REAR BULKHEAD WALL,WITH A/C,	
10	0037951		PLYWOOD,UPPER,REAR BULKHEAD WALL, C4RE	
11	0037950		PANEL,BULKHEAD,REAR,RM 35 AIR CONDTNR,	
12	0043598		ROD,PROP,GRILLE,CARRIER RETURN AIR, C4RE	
13	0042100		GRILLE,RETURN AIR,CARRIER RM35, C4RE	
14	0046600		HINGE,STAINLESS,.120 PIN X 2.50 OPEN,46.50	
15	1143676	30	SCREW,10-16 X 3/4, AB,PH1,PAN HD,BLK ZN,	
16	1818012		TAPE,ADHESIVE,VHB 4955,1.00W X.08THK X	
17	1435015	2	NUT,HEX HD,5/16-18,FLANGED,YELLOW	
18	1143684	12	SCREW,1/4-14 X 1,AB,PH1,PAN HD,BLK ZN,SST	
19	1541176	28	SCREW,MACH 1/4-20 X 3/4,PH1,TRUSSHD,	
20	2001345	28	NUT,HEX HD,1/4-20,LOCKING,YELLOW	

Models: C4RE
 REAR
 WALL INSTALLATION, WITH RM35 CARRIER A/C

With: FEATURE 38102-08

BSN: From BSN F20054361

Key	PartNumber	Qty	Description	Comment
-----	------------	-----	-------------	---------



Models: C4RE
REAR
WALL INSTALLATION, WITH RM35 CARRIER A/C
With: FEATURE 38102-08
BSN: From BSN F20054361

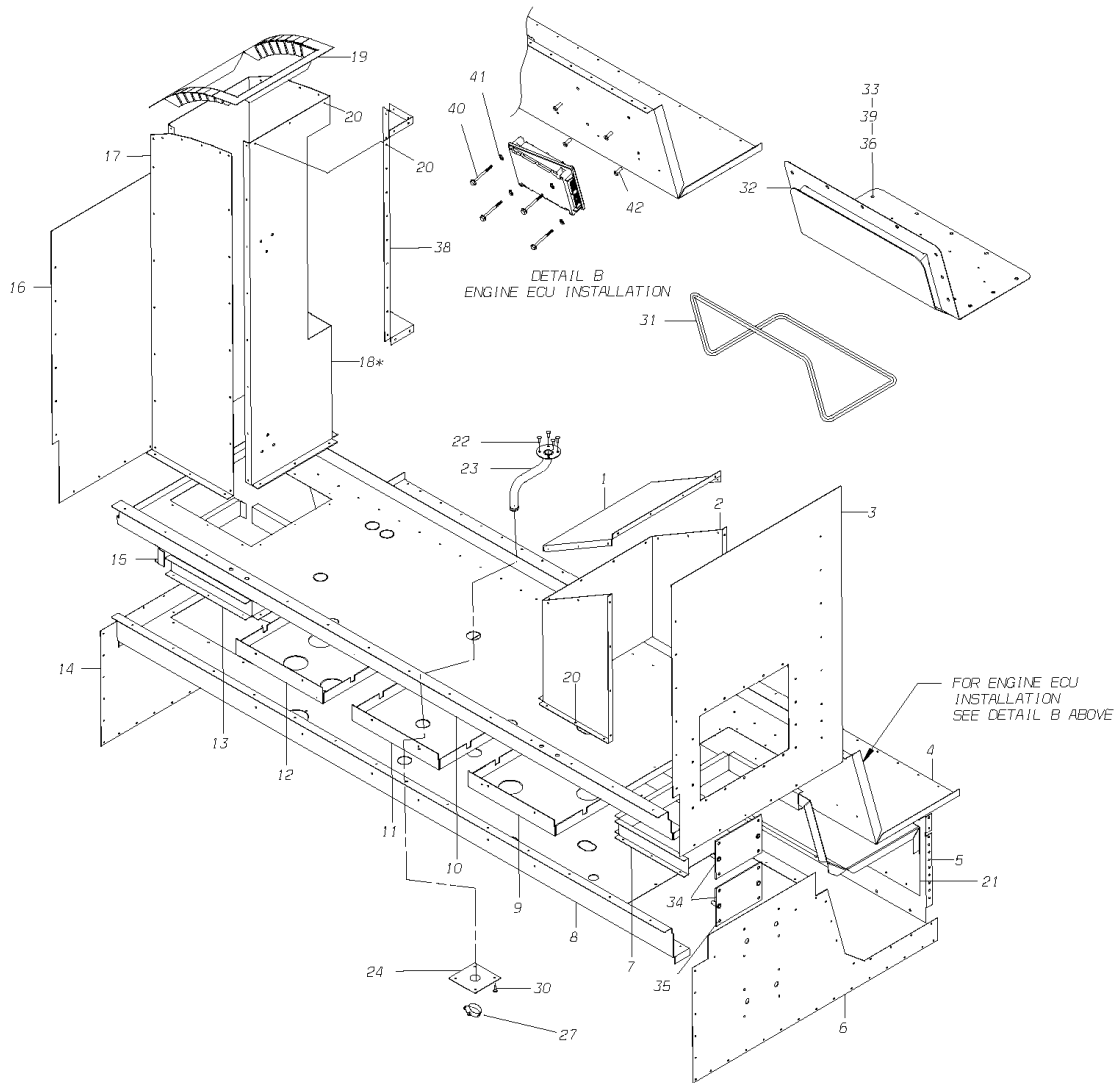
Key	PartNumber	Qty	Description	Comment
1	0042804		GRILLE,OUTSIDE,RETURN AIR,CARRIER RM35	
2	0038430		SHROUD,UPPER,CARRIER RM35 AIR CNDTNR,	
3	1829704	13	SEAL,RUBBER,CLEAN SEAL G-7056	
4	1936442	2	ADAPTOR,SHROUD,UPPER,TK T2 AC, QB/CS	
5	0621953	8	TAPE,FOAM,1/8X3/4X50FT,CLSD.CELL NEOP.	
6	0042963	2	SEAL,FLANGE,CARRIER RM35 AIR CNDTNR,	
7	1490630	5	FOAM,ADHESIVE BACK,CLOSE	
8	1490622	3	FOAM,ADHESIVE BACK,CLOSE	
9	0042189		PLYWOOD,REAR BULKHEAD WALL,WITH A/C,	
10	0037951		PLYWOOD,UPPER,REAR BULKHEAD WALL, C4RE	
11	0055402		PANEL,BULKHEAD,REAR,RM 35 A/C, C4RE	
12	0043443	2	LATCH,QUAD PNL,SQUARE,SOUTHCO E5-2-085	
13	0055404		PANEL,GRILL,AIR RETURN,INSIDE,A/C, C4RE	
14	1551381	2	BUMPER,.50 X .25,TC ACCESS DOOR	
15	1143676	30	SCREW,10-16 X 3/4, AB,PH1,PAN HD,BLK ZN,	
16	1818012	14	TAPE,ADHESIVE,VHB 4955,1.00W X.08THK X	
17	0052324	4	ANGLE,LATCH,A/C BULKHEAD DOOR, C4RE	
18	1143684	12	SCREW,1/4-14 X 1,AB,PH1,PAN HD,BLK ZN,SST	
19	1563816	2	SCREW,6-32X3/8,F,PH1,OVAL CNSK HD,	
20	1702547	8	TRIM,VINYL,GRAY,DOUBLE LIP,75000321	
21	1486919	2	BUMPER,RUBBER RECESS,.469 X .719 DIA	
22	0527267	2	SCREW,6-20 X 1/2,AB,PH1,PAN HD,YEL ZN	
23	0068037	2	BRACKET,RETAINING,FILTER,RETURN AIR,C4RE	

Models: C4RE
REAR
WALL INSTALLATION, WITH RM35 CARRIER A/C
With: FEATURE 38102-08
BSN: From BSN F20054361

Key	PartNumber	Qty	Description	Comment
24	1966837	4	SCREW,MACH,10-32X1/2,PH1,PAN HD,BLK ZN	
25	1629120	4	NUT,WING,10-32	

Models: C4RE
REAR DAVENPORT

Key	PartNumber	Qty	Description	Comment
-----	------------	-----	-------------	---------



Models: C4RE
REAR DAVENPORT

Key	PartNumber	Qty	Description	Comment
1	0037471		TOP,SHROUD,AIR INTAKE, C4RE	
2	0037470		PANEL,SHROUD,AIR INTAKE, C4RE	
3	0037461		PANEL,INSIDE SIDE,LAST SECTION,RH, C4RE	
4	0035039		PANEL,ENGINE CLOSEOUT,BODY SIDE, C4RE	
5	0037463		PANEL,DAVENPORT,FRONT, C4RE	
6	0038137		PANEL,CLOSEOUT,ENGINE COMPARTMENT,RH,	
7	0037472		BRACKET,REINF,AIR INTAKE OPENING, C4RE	
8	0037782		PANEL,DAVENPORT,ENGINE SIDE,W/O AC,	ENDING WITH BSN F20053784
8	0051329		PANEL,DAVENPORT,ENGINE SIDE, C4RE	BEGIN WITH BSN F20053785
9	0037413		PAN,REINFORCEMENT,DAVENPORT,RIGHT HAND	
10	0046902		PANEL,DAVENPORT,BODY SIDE, C4RE	ENDING WITH BSN F20053784
10	0051328		PANEL,DAVENPORT,BODY SIDE, C4RE	BEGIN WITH BSN F20053785
11	0037416		PAN,REINFORCEMENT,DAVENPORT,CENTER,	
12	0037414		PAN,REINFORCEMENT,DAVENPORT,LEFT HAND,	
13	0037473		BRACKET,REINF,INSIDE,EXHAUST OPENING,	
14	0038138		PANEL,CLOSEOUT,ENGINE COMPARTMENT,LH,	
15	0037474		BRACKET,REINF,OUTSIDE,EXHAUST OPENING,	
16	0037462		PANEL,INSIDE SIDE,LAST SECTION,LH, C4RE	
17	0037396		PANEL,REAR,ROOF EXHAUST, C4RE	
18	0037388		PANEL,ROOF EXHAUST,FRONT, C4RE	WITH ISC OR JOHN DEERE 8.1, ENDING WITH BSN F20047499
18	0056895		PANEL,ROOF EXHAUST,FRONT W/INSERT, C4RE	WITH ISC OR JOHN DEERE 8.1, BEGIN WITH BSN F20047500
18	0064647		PANEL,EXHAUST,FRT W/INSERT,CAT C7, C4RE	WITH CAT C7
19	0038127		BRACKET,CLOSEOUT,UPPER,EXHAUST, C4RE	

Models: **C4RE
REAR DAVENPORT**

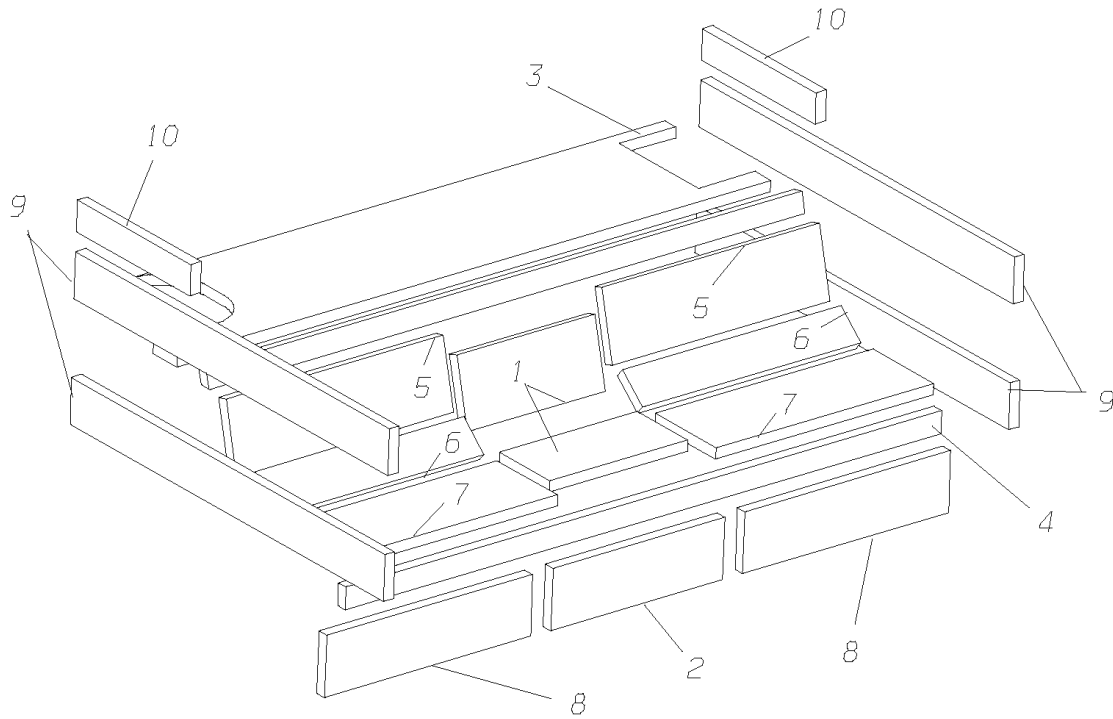
Key	PartNumber	Qty	Description	Comment
20	1143676		SCREW,10-16 X 3/4, AB,PH1,PAN HD,BLK ZN,	
21	0035973		PANEL,DAVENPORT,ENGINE SI,WITH ACCESS,	
22	1589530	4	SCREW,1/4-14 X 3/4,AB,PH1,PAN HD,YEL ZN	
23	0057126		DRAIN ASSY,DAVENPORT AIR CONDITIONER,	
24	1940253		PLATE,DRAIN,DAVENPORT,RM 35 A/C, C4RE	
26	2009520		NIPPLE,PIPE,3/4 X 3,GALV	
27	2008522		CLAMP,1IN HOSE	
28	1415769		RIVET,POP,.18 X .45,CHERRY SSPS-6-4	
	0067774		FASTENER,HUCK,3/16 X 062-437,MGLP-R6-E	
29	0898627		SEALANT,CARTRIDGE,SM5522,VINYL GRAY	TUBE
30	1143676	4	SCREW,10-16 X 3/4, AB,PH1,PAN HD,BLK ZN,	
31	1829704	8	SEAL,RUBBER,CLEAN SEAL G-7056	
32	0009910		PANEL ASSY,DAVENPORT ACCESS COVER,	
33	2000826		SCREW,MACH,1/4X20X3/4,PH1,TRUSSHD,	
	1542372		CAPSCREW,HEX FLG,1/4-20X.75,GRD5,BLACK	
34	0013359	2	PLATE ASSY,MTG,AIR CLEANER BRKT, DRRE	
35	1693407	8	FASTENER,HUCK,.25,BLIND,MAGNABULB,MBP-	
36	1686617	18	PLUSNUT,1/4-20,S25P280	
37	0026853		GROMMET,RUBBER,2.125 I.D.	USE ONLY WITH CNG FEATURE 40245-01
38	0056894		PANEL,ROOF EXHAUST,FRONT,INSERT, C4RE	
NI	2051902		SEALANT,SILICONE,BLACK,CARTRIDGE	
39	2001121	18	WASHER,FLAT,5/16 X 3/4,X 5/64,YEL ZN DICH	
40	1542398	4	CAPSCREW,HEX FLG,1/4-20X3.25,GRD5,BLACK	

Models: C4RE
REAR DAVENPORT

Key	PartNumber	Qty	Description	Comment
41	2001188	4	LOCKWASHER,SPLIT RING, 5/16,MED,YEL ZN	
42	1686617	4	PLUSNUT,1/4-20,S25P280	

Models: C4RE
REAR DAVENPORT
INSULATION

Key	PartNumber	Qty	Description	Comment
-----	------------	-----	-------------	---------



**Models: C4RE
REAR DAVENPORT
INSULATION**

Key	PartNumber	Qty	Description	Comment
1	0009936	2	INSULATION,PANEL ASSY,DVPT ACCESS DOOR	
2	0010025		INSULATION,SEAT LEDGE,DAVENPORT,CENTER	
3	0040136		INSULATION,DAVENPORT,SHELF, C4RE	
4	0040138	2	INSULATION,DAVENPORT,CROSSBAR, C4RE	
5	0040139	2	INSULATION,DAVENPORT,SEAT BACK, C4RE	
6	0040140	2	INSULATION,DAVENPORT,ACCESS SUPPORT,	
7	0040141	2	INSULATION,DAVENPORT,SEAT, C4RE	
8	0040142	2	INSULATION,DAVENPORT,SEAT LEDGE, C4RE	
9	0040143	4	INSULATION,DAVENPORT,RAIL, C4RE	
10	0040144	2	INSULATION,DAVENPORT,UPPER RAIL, C4RE	