

**Body**

**340 Stepwells & Handrails**

HANDRAILS

ENTRANCE DOOR HANDRAIL

\_\_\_\_\_ 1

HANDRAIL WITH MODESTY PANEL

\_\_\_\_\_ 2

STANDEE RAILS

\_\_\_\_\_ 3

LIFT

RICON, PUMP & CONTROL PANEL INSTALLATION

*With: FEATURE 38120-01*

\_\_\_\_\_ 4

STEPWELL

CENTER DOOR

WITH RICON ADA LIFT

*With: FEATURE 31061-02*

\_\_\_\_\_ 5

ENTRANCE DOOR

\_\_\_\_\_ 6

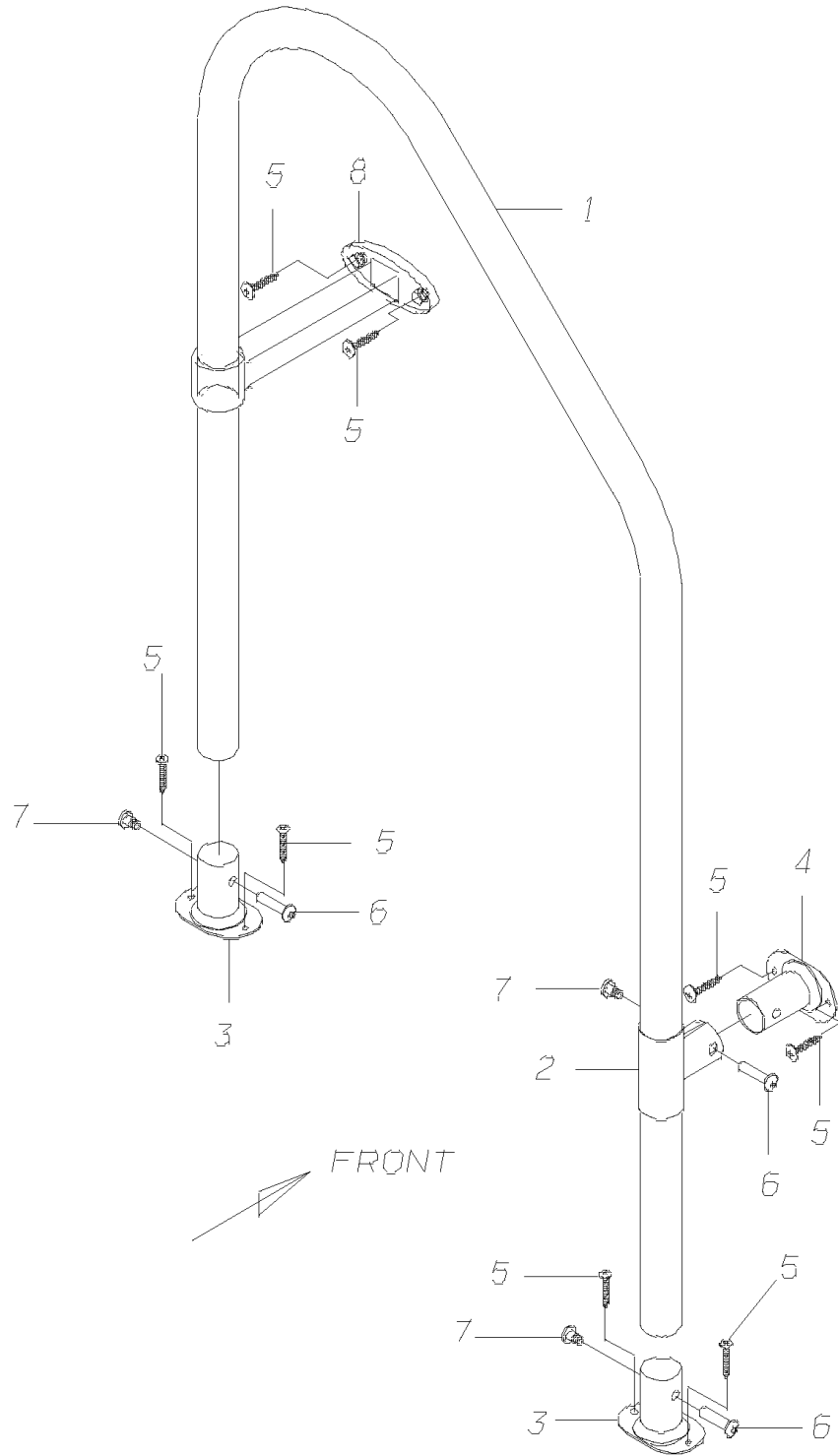
STEPTREADS, FRONT & CENTER DE-ICER

*With: FEATURE 01350-02, -03*

\_\_\_\_\_ 7

Models: C4RE  
 HANDRAILS  
 ENTRANCE DOOR HANDRAIL

Key	PartNumber	Qty	Description	Comment
-----	------------	-----	-------------	---------

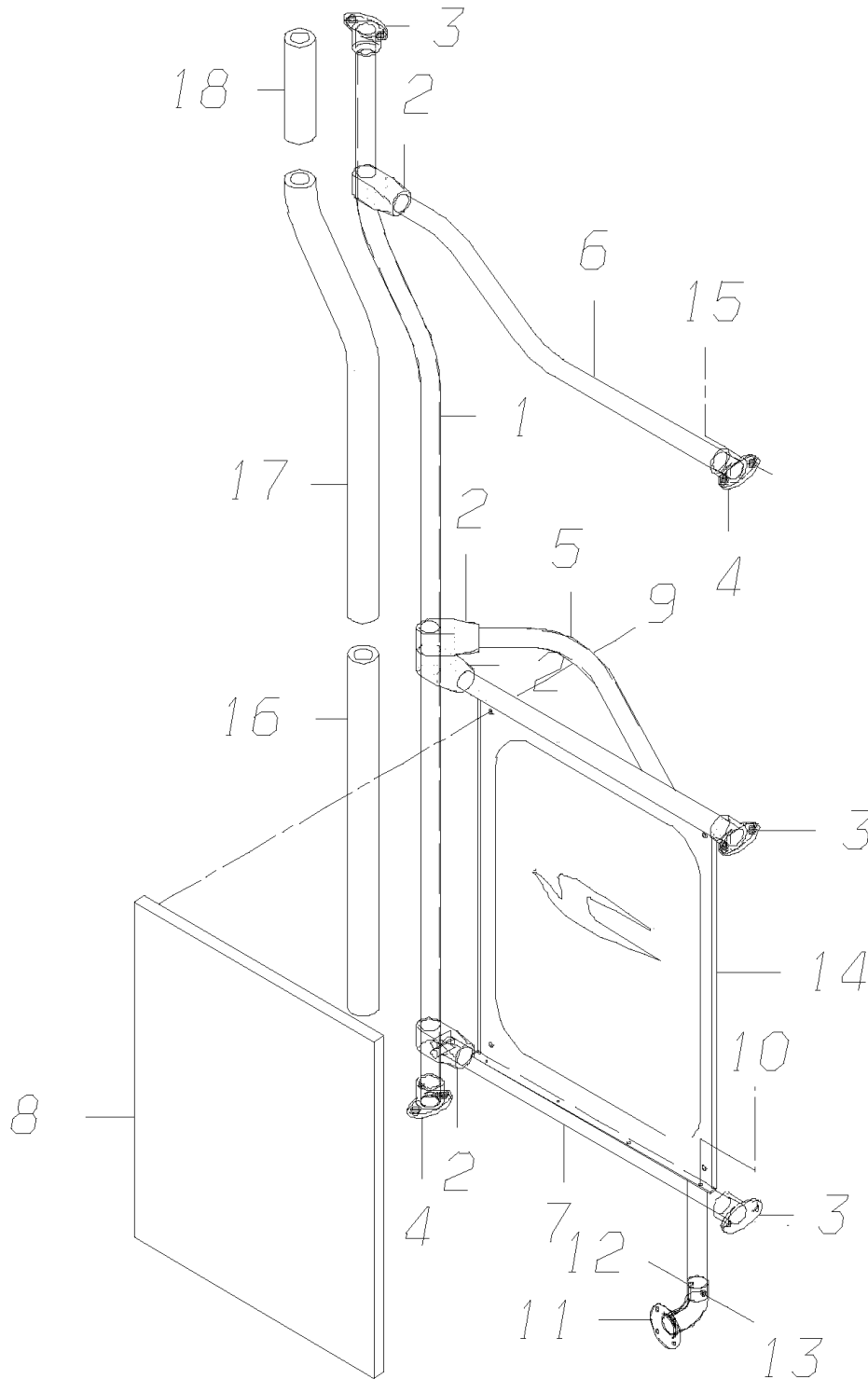


**Models:** C4RE  
**HANDRAILS**  
**ENTRANCE DOOR HANDRAIL**

Key	PartNumber	Qty	Description	Comment
1	0043499		HANDRAIL,ENT DOOR, C4RE	
2	0862078		TEE,STAINLESS STEEL,FOR 1 1/4 TUBE	
3	1630052	2	FLANGE,HANDRAIL ASSY,STRAIGHT FTG,1.25	
4	1630045		FLANGE,HANDRAIL ASSY,STRAIGHT FRT,1.25	
5	2000701	8	SCREW,1/4-14 X1-1/2,AB,PH1,PAN HD,	
6	1607043	3	SCREW,TUBE FITTING,INTERNAL THD,1/4-28	
7	1607035	3	SCREW,TUBE FITTING,EXTERNAL THD,1/4-28	
8	0041082		FITTING,CEILING,HANDRAIL, C4RE"	

Models: C4RE  
 HANDRAILS  
 HANDRAIL WITH MODESTY PANEL

Key	PartNumber	Qty	Description	Comment
-----	------------	-----	-------------	---------

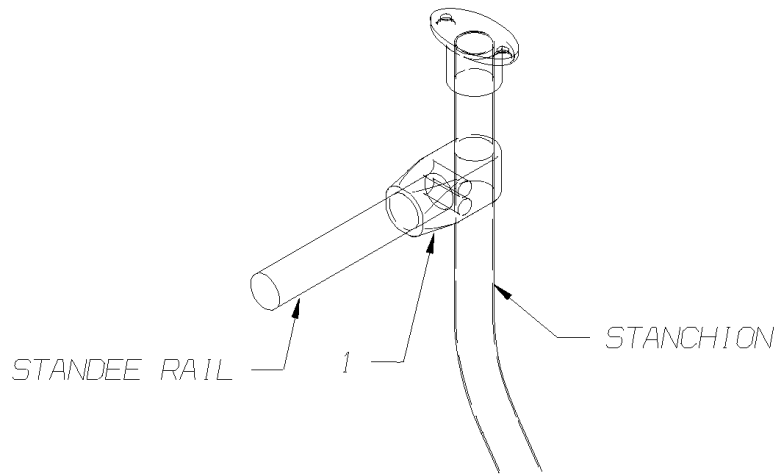


**Models:** C4RE  
**HANDRAILS**  
**HANDRAIL WITH MODESTY PANEL**

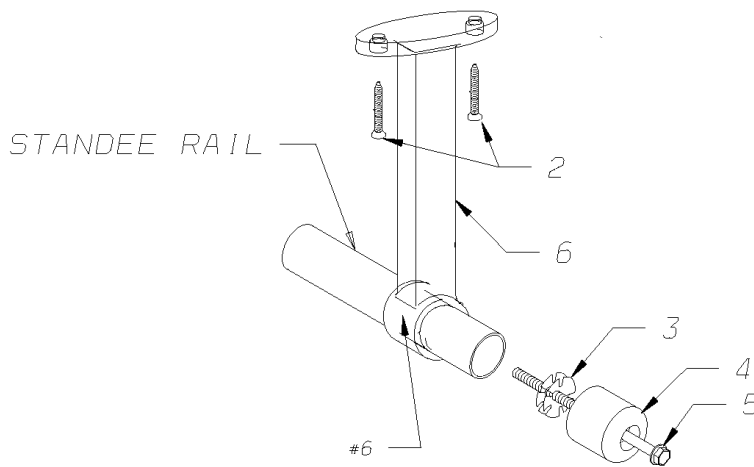
Key	PartNumber	Qty	Description	Comment
1	0046586		STANCHION,MODESTY PANEL, C4RE	
2	0041067	4	FITTING,TEE,W/HARDWARE,STANCHION, C4RE	
3	0041063	3	FITTING,W/INSERT,STANCHION,C4RE	
4	0038635	2	FITTING,FLOOR, C4RE	
5	0035968		HANDRAIL,REARWARD, C4RE	
NI	0035969		HANDRAIL,FORWARD, C4RE	
6	0042260		RAIL,STANCHION,UPPER, C4RE	
7	0042120	2	TUBE,SS,RD,1.250 OD X .050 X 25.25,SS 304	
8	1841378		PAD ASSY,MODESTY PANEL,ENTRANCE DOOR,	
9	2000784	4	SCREW,MACH,1/4-20X1/2,PH1,TRUSSHD,	
10	0422915	8	RIVET,1/8 DIA,ALUMINUM,W/ST STEM	
11	0029565		ELBOW,FLANGED,HANDRAIL,1.25 TUBE	
12	1607035		SCREW,TUBE FITTING,EXTERNAL THD,1/4-28	
13	1607043		SCREW,TUBE FITTING,INTERNAL THD,1/4-28	
14	1713940		PANEL,MODESTY,ENTRANCE DOOR,QB	
15	1062124		SCREW,1/4-14 X 1,AB,PH1,PAN HD,YEL ZN	

Models: C4RE  
HANDRAILS  
STANDEE RAILS

Key	PartNumber	Qty	Description	Comment
-----	------------	-----	-------------	---------



INSTALLATION FOR STANDEE RAILS TO STANCHIONS AT DOORS.



\* BUTT JOINT AT CENTER OF STANCHION BRACKET.

INSTALLATION FOR ENDS OF STANDEE RAILS, CENTER SUPPORT AND BUTT JOINTS.

**Models:** C4RE  
**HANDRAILS**  
**STANDEE RAILS**

Key	PartNumber	Qty	Description	Comment
1	0041067		FITTING,TEE,W/HARDWARE,STANCHION, C4RE	
2	0980516		SCREW,1/4-14 X 1-1/2,AB,PH1,OVAL CNSK,	
3	1043165		CONNECTOR,HVY DUTY,1/4-20 THD X1 1/8	
4	1044668		BUMPER,RUBBER,RECESS 1 1/2 X 1 1/2 DIA	
5	1542406		CAPSCREW,HEX FLG,1/4-20X4.00,GRD5,BLACK	
6	0041082		FITTING,CEILING,HANDRAIL, C4RE"	
NI	2066330		TUBE,SS,RD,1.250 OD X .050 X 242.00,SS 304	<i>ORDER FOR STANDEE RAILING AND CUT AS REQUIRED</i>

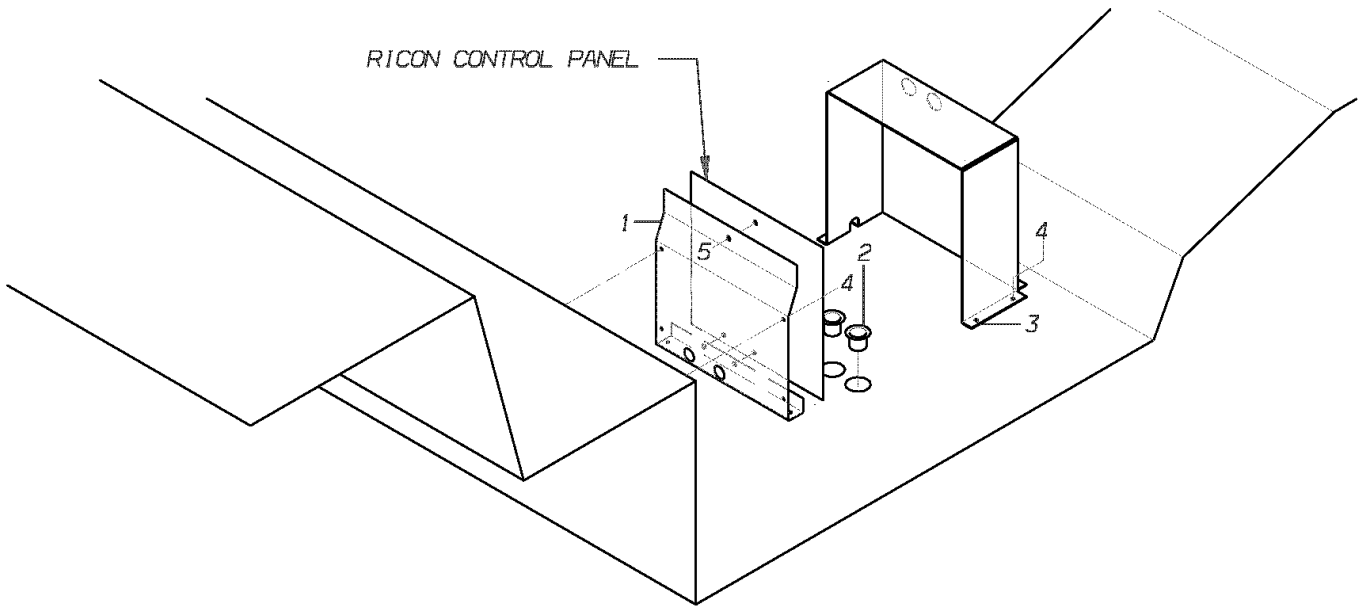
**Models:** C4RE  
**LIFT**  
**With:** RICON, PUMP & CONTROL PANEL INSTALLATION  
**FEATURE 38120-01**

Key	PartNumber	Qty	Description	Comment
-----	------------	-----	-------------	---------

DR. 02/24/05 BY TB		1942192	B
APP.	BY	FRT	REV



© BLUE BIRD BODY COMPANY. ALL RIGHTS RESERVED



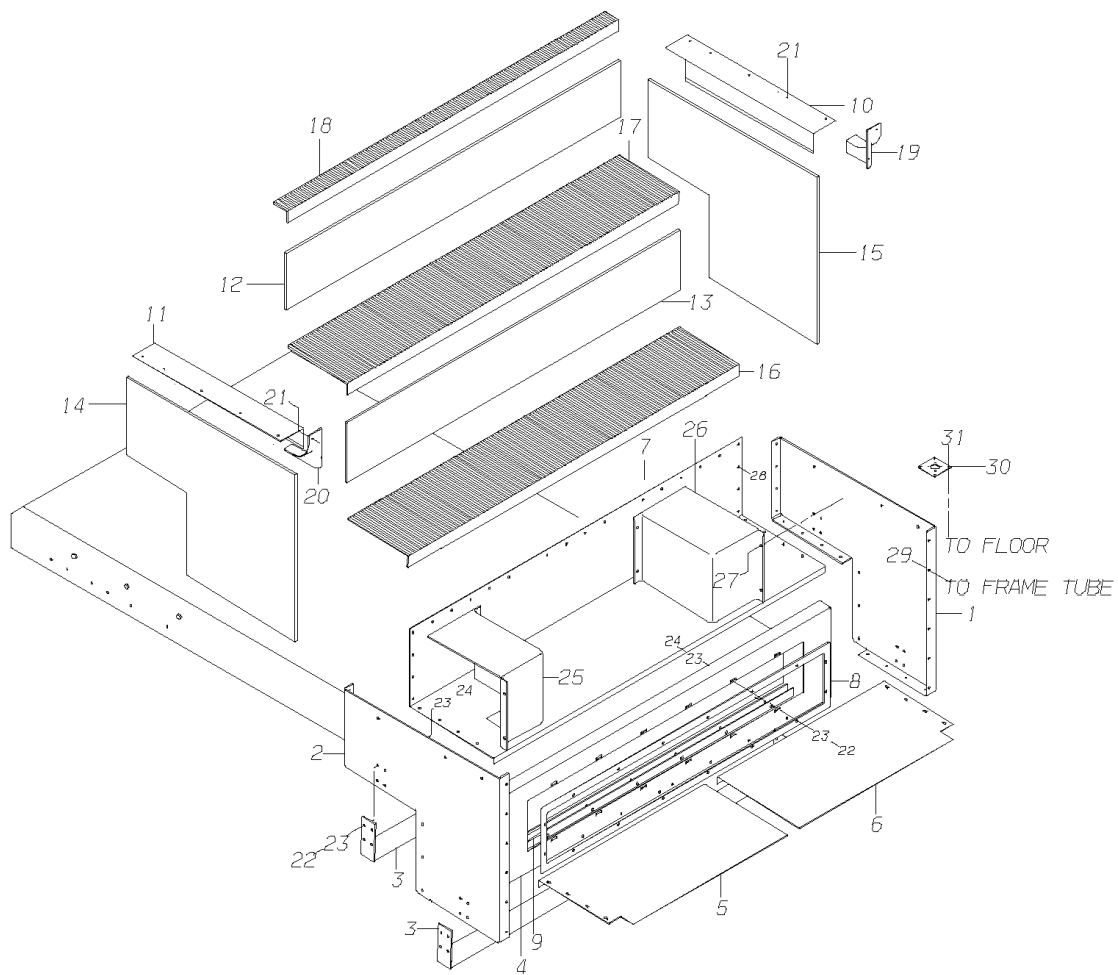


**Models:** C4RE  
**LIFT**  
**RICON, PUMP & CONTROL PANEL INSTALLATION**  
**With:** FEATURE 38120-01

Key	PartNumber	Qty	Description	Comment
1	1942150		BRACKET,MTG,CONTROL PANEL,RICON	
2	1150846	2	BUSHING,NYLON,1 ID THOMSON 16L16F	
3	1942168		COVER,CONTROL PANEL,RICON LIFT,CS/QBRE	
4	1143676	11	SCREW,10-16 X 3/4, AB,PH1,PAN HD,BLK ZN,	
5	2000784	3	SCREW,MACH,1/4-20X1/2,PH1,TRUSSHD,	

**Models:** C4RE  
**STEPWELL**  
**CENTER DOOR**  
**WITH RICON ADA LIFT**  
**With:** FEATURE 31061-02

Key	PartNumber	Qty	Description	Comment
-----	------------	-----	-------------	---------



**Models:** C4RE  
**STEPWELL  
 CENTER DOOR  
 WITH RICON ADA LIFT**  
**With:** **FEATURE 31061-02**

Key	PartNumber	Qty	Description	Comment
1	0034717		PANEL,FRONT,STEPWELL,EXIT DOOR,C4RE	FEATURE 31061-02
1	0059687		PANEL,FRONT,STPWL,EXIT DOOR,SS, C4RE	FEATURE 31061-02 WITH FEATURE 30960-04. STAINLESS STEEL
2	0034718		PANEL,REAR,STEPWELL,EXIT DOOR,C4RE	FEATURE 31061-02
2	0059688		PANEL,REAR,STPWL,EXIT DOOR,SS, C4RE	FEATURE 31061-02 WITH FEATURE 30960-04. STAINLESS STEEL
3	1647296	2	BRACE ASSY,LWR STEP,SS STPWL,WITH LIFT	
4	0034716		PANEL,BRACE/CLOSEOUT,STEPWELL,EXIT DR,	FEATURE 31061-02
4	0059586		PANEL,BRACE/CLOSEOUT,STPWL,EXIT DR,SS,	FEATURE 31061-02 WITH FEATURE 30960-04. STAINLESS STEEL
5	0031272		PANEL,STEP,LOWER,REAR,EXIT DOOR,C4RE	FEATURE 31061-02
5	0059690		PANEL,STEP,LOWER,REAR,EXIT DOOR,SS, C4RE	FEATURE 31061-02 WITH FEATURE 30960-04. STAINLESS STEEL
6	0034720		PANEL,STEP,LOWER,FRONT,EXIT DOOR,C4RE	FEATURE 31061-02
6	0059689		PANEL,STEP,LOWER,FRONT,EXIT DOOR,SS,	FEATURE 31061-02 WITH FEATURE 30960-04. STAINLESS STEEL
7	0034719		PANEL,STEP & RISER,STEPWELL,EXIT DOOR,	FEATURE 31061-02
7	0059570		PANEL,STEP & RISER,STPWL,EXIT DOOR,SS,	FEATURE 31061-02 WITH FEATURE 30960-04. STAINLESS STEEL
8	0043003		TRIM,CLOSEOUT,EX DR STPWL,RICON LIFT,	FEATURE 31061-02
8	0061332		TRIM,CLOSEOUT,SS,EX DR STPWL,RICON	FEATURE 31061-02 WITH FEATURE 30960-04. STAINLESS STEEL
9	0040985	4	SPACER,PLATE,RICON LIFT,C4RE	FEATURE 31061-02
9	0061331	4	SPACER,PLATE,SS,RICON LIFT, C4RE	FEATURE 31061-02 WITH FEATURE 30960-04. STAINLESS STEEL
10	0048986		TRIM,STEPWELL,FRONT,CENTER DOOR,C4RE	

**Models:** C4RE  
**STEPWELL**  
**CENTER DOOR**  
**WITH RICON ADA LIFT**  
**With:** **FEATURE 31061-02**

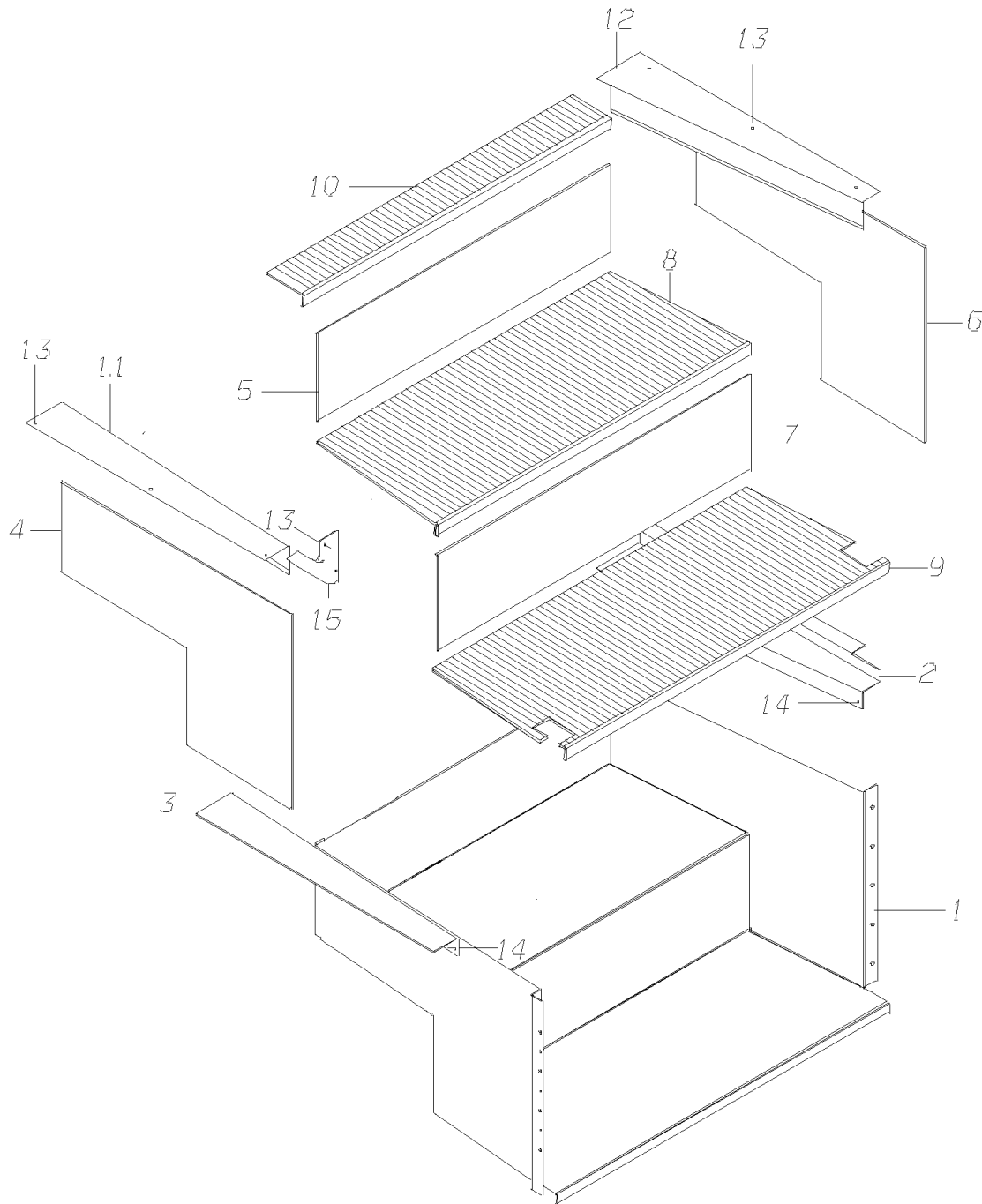
Key	PartNumber	Qty	Description	Comment
11	0048987		TRIM,STEPWELL,REAR,CENTER DOOR,C4RE	
12	0046558		COVER,RISER,UPPER,GREY,CENTER STEPWELL	
13	0046557		COVER,RISER,LOWER,GREY,CENTER STEPWELL	
14	0046575		COVER,END PANEL,REAR,GREY,CTR STPWL,	
15	0046574		COVER,END PANEL,FRONT,GREY,CTR STPWL,	
16	0035764		STEPTREAD,BOTTOM,CTR DOOR,766 GREY,	STANDARD
16	0046181		STEPTREAD,BOTTOM STEP,CTR DOOR,747 TAN	FEATURE 31021-07
16	0046179		STEPTREAD,BOTTOM STEP,CTR DR,702 BLUE,	FEATURE 31021-11
17	0035763		STEPTREAD,TOP STEP,CTR DOOR,766 GREY,	STANDARD
17	0046178		STEPTREAD,TOP STEP,CTR DOOR,747 TAN,	FEATURE 31021-07
18	0046177		STEPTREAD,TOP STEP,CTR DOOR,702 BLUE,	FEATURE 31021-11
18	0048717		NOSING,RUBBER,YEL,CTR DOOR,C4RE	
19	0041062		CLOSEOUT,FRONT,FLOOR,COVE MOLDING,	
20	0041233		CLOSEOUT,REAR,FLOOR,COVE MOLDING, C4RE	
21	0864579	12	SCREW,10-16 X 3/4,AB,PH1,PAN HD,SST	
21	1143676	56	SCREW,10-16 X 3/4, AB,PH1,PAN HD,BLK ZN,	
22	2001345	40	NUT,HEX HD,1/4-20,LOCKING,YELLOW	
23	2001121	80	WASHER,FLAT,5/16 X 3/4,X 5/64,YEL ZN DICH	
24	0977132	40	CAPSCREW,HEX HD,1/4-20 X 3/4,GR 5,YEL	
25	0037877		COVER,CORNER,REAR,EXIT DOOR STEPWELL,	
26	0037878		COVER,CORNER,FRONT,EXIT DOOR STEPWELL,	
27	1777259	8	SCREW,14 X 3/4,PH,OVAL,CS,TYPE AB,BLK ZC	
28	1549211	24	RIVET,CHERRY,SSPVH-204-4	

**Models:** C4RE  
**STEPWELL**  
**CENTER DOOR**  
**WITH RICON ADA LIFT**  
**With:** FEATURE 31061-02

Key	PartNumber	Qty	Description	Comment
29	2000073	12	SCREW,1/4-20 X 1,D,HEX HD,YEL ZN DICH	
30	1702869		PLATE,MTG,ELECT CONNECTOR,RICON LIFT,	
31	1143676	4	SCREW,10-16 X 3/4, AB,PH1,PAN HD,BLK ZN,	
NI	3809639		SEALANT,SIKAFLEX,221 GRAY,INDUSTRIAL	

Models: C4RE  
STEPWELL  
ENTRANCE DOOR

Key	PartNumber	Qty	Description	Comment
-----	------------	-----	-------------	---------

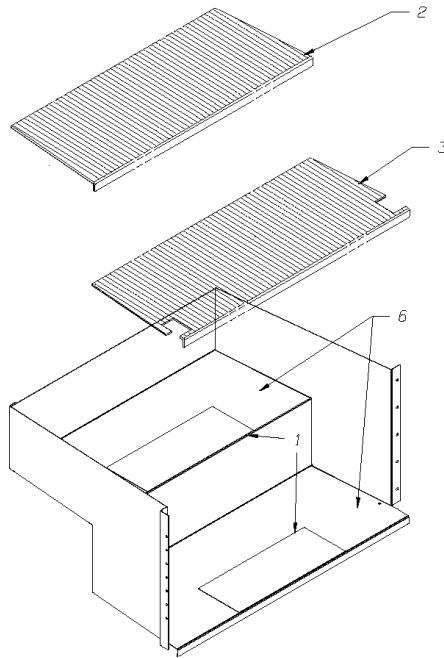


**Models:** C4RE  
STEPWELL  
ENTRANCE DOOR

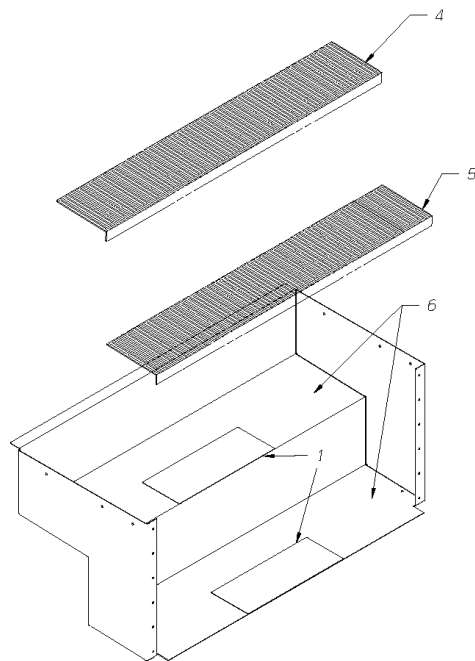
Key	PartNumber	Qty	Description	Comment
1	0033615		STEPWELL ASSY,ENTRANCE DOOR, C4RE	
2	0037486		TRIM,FRONT,FRONT STEPWELL, C4RE	
3	0037487		TRIM,REAR,FRONT STEPWELL, C4RE	
4	0046573		COVER,END PANEL,REAR,GREY,FRT STPWL,	
5	0046556		COVER,RISER,UPPER,GREY,FRONT STEPWELL,	
6	0046572		COVER,END PANEL,FRONT,GREY,FRT STPWL,	
7	0046555		COVER,RISER,LOWER,GREY,FRONT STEPWELL,	
8	0035687		STEPTREAD,MID STEP,FRONT DOOR,766 GREY	STANDARD or FEATURE 30977-07
8	0046176		STEPTREAD,MID STEP,FRONT DOOR,747 TAN,	FEATURE 31021-07 or FEATURE 31021-07 WITH FEATURE 30977-07
8	0046175		STEPTREAD,MID STEP,FRONT DOOR,702 BLUE	FEATURE 31021-11 OR 31021-11 WITH FEATURE 30977-07
9	0053013		STEPTREAD,LWR STP,SHTL ENT DR,766 GREY	STANDARD
9	0035664		STEPTREAD,LOWER STEP,FRT DOOR,766 GREY	FEATURE 30977-07. DOOR, ENTRANCE, BODE, 33", O/O AIR
9	0053015		STEPTREAD,LWR STP,SHTL ENT DR,747 TAN,	FEATURE 31021-07
9	0046174		STEPTREAD,LOWER STEP,FRT DOOR,747 TAN,	FEATURE 31021-07 WITH FEATURE 30977-07
9	0053014		STEPTREAD,LWR STP,SHTL ENT DR,702 BLUE	FEATURE 31021-11
9	0046173		STEPTREAD,LOWER STEP,FRT DOOR,702 BLUE	FEATURE 31021-11 WITH FEATURE 30977-07
10	0048716		NOSING,RUBBER,YEL,ENT DOOR, C4RE	
11	0049096		TRIM,SS,REAR,FRONT STEPWELL, C4RE	
12	0049097		TRIM,SS,FRONT,FRONT STEPWELL, C4RE	
13	1143676	48	SCREW,10-16 X 3/4, AB,PH1,PAN HD,BLK ZN,	
14	1415769	6	RIVET,POP,.18 X .45,CHERRY SSPS-6-4	
15	0041233		CLOSEOUT,REAR,FLOOR,COVE MOLDING, C4RE	

**Models:** C4RE  
**STEPWELL**  
**With:** STEPTREADS, FRONT & CENTER DE-ICER  
**FEATURE 01350-02, -03**

Key	PartNumber	Qty	Description	Comment
-----	------------	-----	-------------	---------



FRONT STEPWELL INSTALLATION



CENTER STEPWELL INSTALLATION



**Models:** C4RE  
**STEPWELL**  
**STEPTREADS, FRONT & CENTER DE-ICER**  
**With:** FEATURE 01350-02, -03

Key	PartNumber	Qty	Description	Comment
1	1696772		HEATER PAD,STEPTREAD, 12V,7 X 18,8 AMPS,	FRONT ENTRANCE DOOR
2	0057988		STEPTREAD,MID STEP,FRONT DOOR,CHARCOAL	FEATURE 01350-02 WITH 31021 -12,-13,-14
2	0057989		STEPTREAD,MID STEP,FRONT DOOR,STORM,	FEATURE 01350-02 WITH 31021 -15,-16,-17
2	0057990		STEPTREAD,MID STEP,FRONT DOOR,MIDNIGHT	FEATURE 01350-02 WITH 31021 -18,-19,-20
3	0057991		STEPTREAD,LWR STP,SHTL ENT DR,CHARCOAL	FEATURE 01350-02 WITH 31021 -12,-13,-14
3	0057985		STEPTREAD,LOWER STEP,FRT DOOR,CHARCOAL	FEATURE 01350-02 WITH 31021 -12,-13,-14 WITH 30977-07
3	0057992		STEPTREAD,LWR STP,SHTL ENT DR,STORM,	FEATURE 01350-02 WITH 31021 -15,-16,-17
3	0057986		STEPTREAD,LOWER STEP,FRONT DOOR,STORM,	FEATURE 01350-02 WITH 31021 -15,-16,-17 WITH 30977-07
3	0057993		STEPTREAD,LWR STP,SHTL ENT DR,MIDNIGHT	FEATURE 01350-02 WITH 31021 -18,-19,-20
3	0057987		STEPTREAD,LOWER STEP,FRT DOOR,MIDNIGHT	FEATURE 01350-02 WITH 31021 -18,-19,-20 WITH 30977-07
4	0057994		STEPTREAD,TOP STEP,CTR DOOR,CHARCOAL,	FEATURE 01350-03 WITH 31021 -12,-13,-14 WITH 31061
4	0057995		STEPTREAD,TOP STEP,CTR DOOR,STORM, C4RE	FEATURE 01350-03 WITH 31021 -15,-16,-17 WITH 31061
4	0057996		STEPTREAD,TOP STEP,CTR DOOR,MIDNIGHT,	FEATURE 01350-03 WITH 31021 -18,-19,-20 WITH 31061
5	0057997		STEPTREAD,BOTTOM STEP,CTR DR,CHARCOAL,	FEATURE 01350-03 WITH 31021 -12,-13,-14 WITH 31061
5	0057998		STEPTREAD,BOTTOM STEP,CTR DR,STORM,	FEATURE 01350-03 WITH 31021 -15,-16,-17 WITH 31061
5	0057999		STEPTREAD,BOTTOM STEP,CTR DR,MIDNIGHT,	FEATURE 01350-03 WITH 31021 -18,-19,-20 WITH 31061
6	1700715		INSULATION,CLOSED CELL FOAM,.125 X 42 X	