

Body

350 Doors

CENTER

BODE

*With: FEATURE 31061-01
To BSN F20055504*

1

*With: FEATURE 31061-01
From BSN F20055505*

2

ENTRANCE

BODE

3

DRIVE PLATE ASSY

4

INSTALLATION

5

SHUTTLE

With: STD.

6

LIFT

BODE

INSTALLATION

*With: FEATURE 31060-02
To BSN F20055504*

7

*With: FEATURE 31060-02
From BSN F20055505*

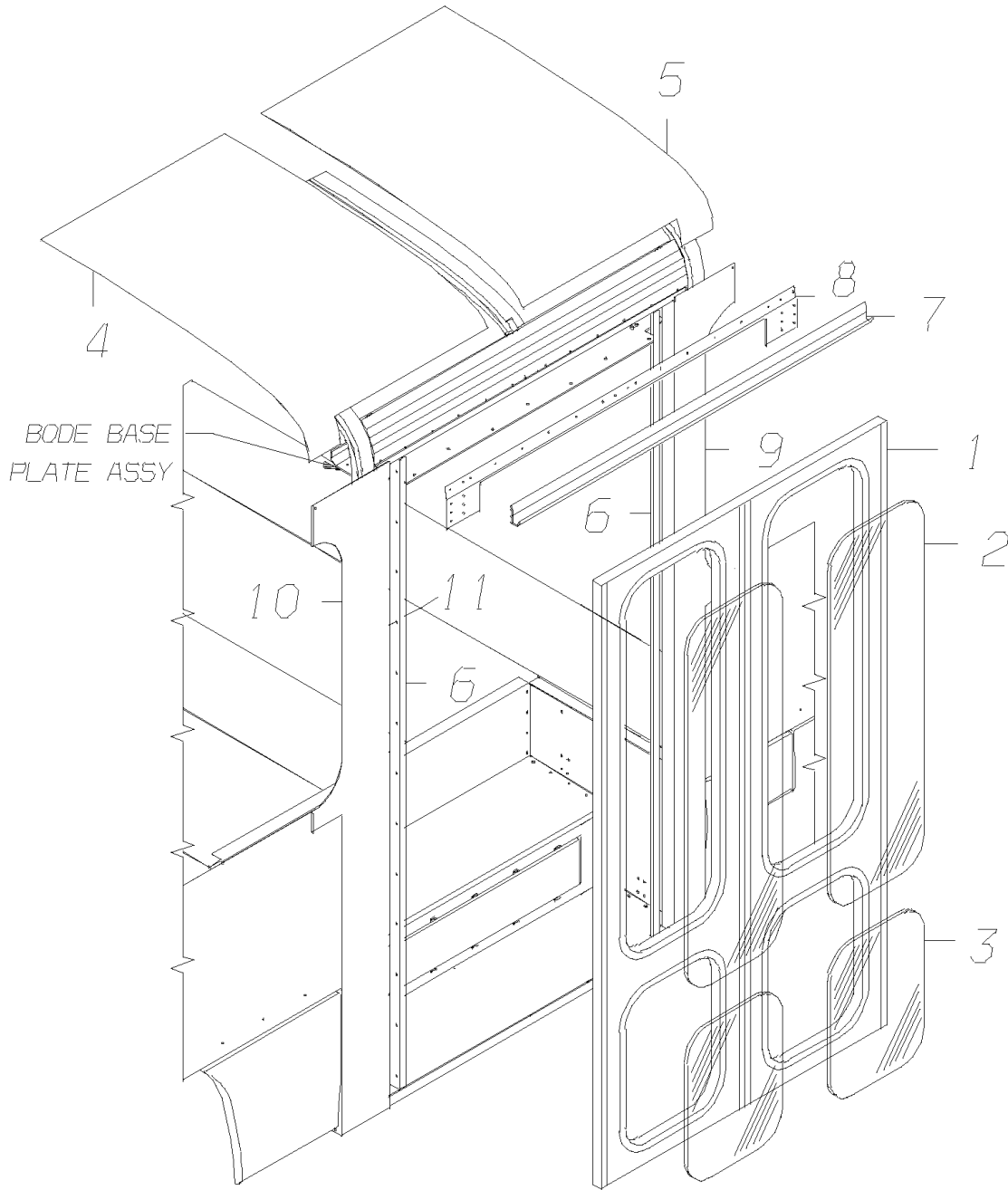
8

RICON CONTROL PANEL

9

Models: C4RE
CENTER
BODE
With: FEATURE 31061-01
To BSN F20055504

Key	PartNumber	Qty	Description	Comment
-----	------------	-----	-------------	---------

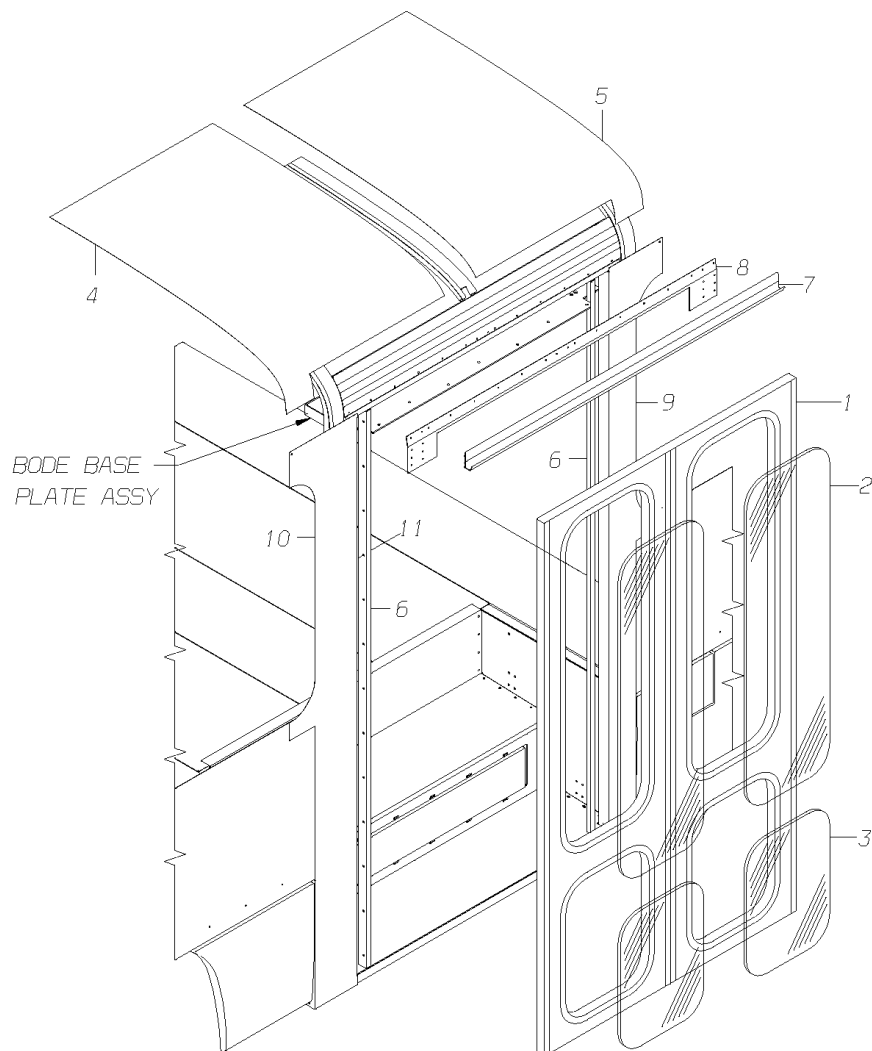
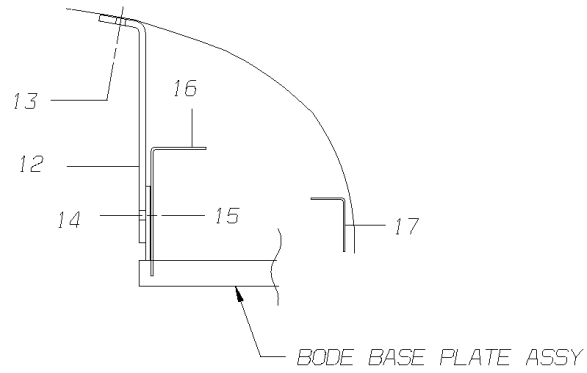


**Models: C4RE
CENTER
BODE**
**With: FEATURE 31061-01
To BSN F20055504**

Key	PartNumber	Qty	Description	Comment
1	0037070		DOOR,CENTER,BODE 3351, C4RE	
1	0097469		SEAL,DOOR,LEADING EDGE,FRONT,CENTER	
1	0097470		SEAL,DOOR,LEADING EDGE,REAR,CENTER	
2	0037027	2	GLASS,UPPER,CENTER BODE DOOR,TEMPERED,	
3	1654193	2	GLASS,LOWER,CENTER BODE DOOR,TEMPERED,	
4	0038597		PANEL,ROOF,OUTSIDE,28.00,REAR,EXIT DR,	
5	0038596		PANEL,ROOF,OUTSIDE,28.00,FRONT,EXIT DR	
6	0047472	2	PANEL,C/O,INNER,FRONT & REAR,CTR DOOR,	
7	0038670		EXTRUSION,DRIP MOLDING, C4RE	
8	0044695		TRIM,EXTERIOR,UPPER,EXIT DOOR, C4RE	
9	0038951		BOW CAP,FRONT,REAR DOOR, C4RE	
10	0038950		BOW CAP,REAR,CENTER DOOR, C4RE	
11	1143684		SCREW,1/4-14 X 1,AB,PH1,PAN HD,BLK ZN,SST	

Models: C4RE
CENTER
BODE
With: FEATURE 31061-01
BSN: From BSN F20055505

Key	PartNumber	Qty	Description	Comment
-----	------------	-----	-------------	---------



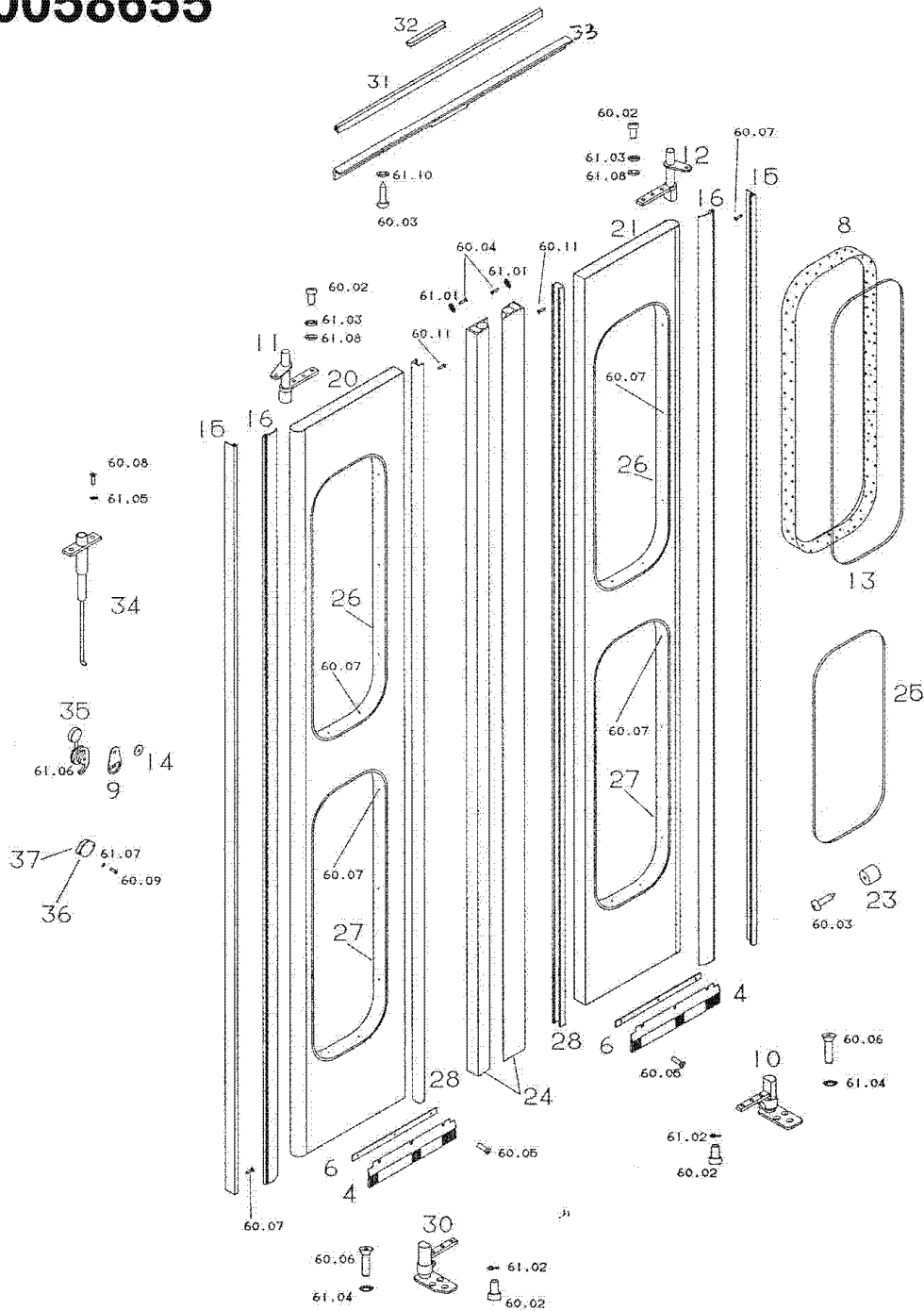
Models: C4RE
CENTER
BODE
With: FEATURE 31061-01
BSN: From BSN F20055505

Key	PartNumber	Qty	Description	Comment
1	0037070		DOOR,CENTER,BODE 3351, C4RE	
1	0097469		SEAL,DOOR,LEADING EDGE,FRONT,CENTER	
1	0097470		SEAL,DOOR,LEADING EDGE,REAR,CENTER	
2	0037027	2	GLASS,UPPER,CENTER BODE DOOR,TEMPERED,	
3	1654193	2	GLASS,LOWER,CENTER BODE DOOR,TEMPERED,	
4	0054765		PANEL,ROOF,OUTSIDE,28.00,REAR,EXIT DR,	
5	0054764		PANEL,ROOF,OUTSIDE,28.00,FRONT,EXIT DR	
6	0047472	2	PANEL,C/O,INNER,FRONT & REAR,CTR DOOR,	
7	0038670	33	EXTRUSION,DRIP MOLDING, C4RE	
8	0044695		TRIM,EXTERIOR,UPPER,EXIT DOOR, C4RE	
9	0038951		BOW CAP,FRONT,REAR DOOR, C4RE	
10	0038950		BOW CAP,REAR,CENTER DOOR, C4RE	
11	1143684	26	SCREW,1/4-14 X 1,AB,PH1,PAN HD,BLK ZN,SST	
12	0049150		BRACE,HEADER,BODE EXIT DOOR, C4RE	
13	0977132	3	CAPSCREW,HEX HD,1/4-20 X 3/4,GR 5,YEL	
14	1409788	3	SCREW,1/4-20 X 3/4,D,HEX HD,YEL ZN DICH	
15	2001345	3	NUT,HEX HD,1/4-20,LOCKING,YELLOW	
16	0051511		BRACKET,MTG,THROTTLE VALVE,BODE DOOR,	
17	0051510		BRACKET,MTG,AIR FILTER,BODE DOOR, C4RE	

Models: C4RE
ENTRANCE
BODE

Key	PartNumber	Qty	Description	Comment
-----	------------	-----	-------------	---------

0058655



Models: C4RE
ENTRANCE
BODE

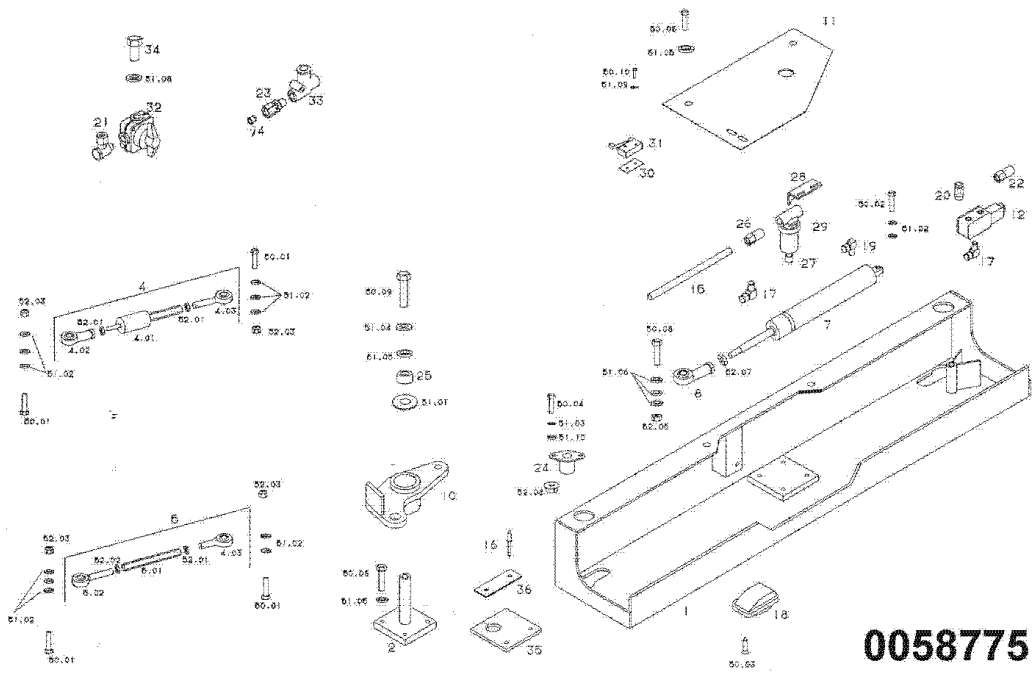
Key	PartNumber	Qty	Description	Comment
	0037068		DOOR,FRONT,BODE 3350, C4RE	<i>CONSISTS OF THE FOLLOWING</i>
4	0058535		BRUSH ASSY,LOWER,BODE DOOR	
6	0058536		THREADED LEDGE,LOWER,BODE DOOR	
8	0058537		RUBBER,WINDOW,BODE DOOR	
9	0058538		PICK UP,BODE DOOR"	
10	4314274		BEARING,LOWER,DOOR,BODE"	
11	0058539		BEARING,UPPER,DOOR,RH,BODE	
12	0058540		BEARING,UPPER,DOOR,LH,BODE	
13	0058543		WINDOW PANE,BODE DOOR	
14	0058544		ROSETTE,BODE DOOR"	
15	0058546		PORTAL LEDGE,BODE DOOR	
16	0058547		RUBBER,PORTAL,BODE DOOR	
20	0058554		PANEL,BLANK,RH,BODE DOOR	
21	0058555		PANEL,BLANK,LH,BODE DOOR	
23	0058556		BUMPER,RUBBER,W/ST. INSERT"	
24	0058559		FINGER PROT RUBBER ASSY	
25	0058594		WINDOW PANE,BODE DOOR	
26	0058623		FRAME,WINDOW,UPPER,BODE DOOR	
27	0058624		FRAME,WINDOW,LOWER,BODE DOOR	
28	0058625		PROFILE FRAME,DOOR,BODE	
30	0058626		BEARING,DOOR,LOWER,RH,BODE	
31	0058627		SEAL,UPPER,BODE DOOR	
32	0058628		TRIM,VINYL,150 LG,BODE DOOR	

Models: C4RE
ENTRANCE
BODE

Key	PartNumber	Qty	Description	Comment
33	0058629		FRAME,ANGLE,HORIZONTAL,BODE DOOR	
34	0058630		LOCK BOLT ASSY,BODE DOOR	
35	0045065		CYLINDER,LOCKING,BODE DOOR"	
36	0057248		COVER,LOCK,BODE DOOR	
37	0058631		GASKET,BODE DOOR"	
60.	0025144		SCREW,DIN 933 M8 X 30 A2 (0097.32.N)	
60.	0058632		SCREW,DIN 7981 4.8 X 13	
60.	0052026		SCREW,DIN 7983,4.2 X 32	
60.	0058633		SCREW,DIN 966,M5 X 10,A2	
60.	8301665		SCREW,CSK SOCKET HEAD,5/16-18 X 1,BODE	
60.	0057275		SCREW,DIN 7982,3.5 X 9.5	
60.	0058634		SCREW,DIN 966,M5 X 25	
60.	0058635		SCREW,DIN 966,M4 X 10	
60.	0052023		SCREW,DIN 7981,3.5 X 13	
61.	0052034		WASHER,FABRIC 4.5,GHE 3360003	
61.	0025145		WASHER,DIN 127 8 A2 (0003.79.N)	
61.	0052030		WASHER,DIN 6798,J8.4"	
61.	0025147		WASHER,DIN 6798 V8.4 (0003.22.N)	
61.	0058636		WASHER,DIN 6798,V5.3	
61.	0058638		WASHER,DIN 6798,J21	
61.	0058639		WASHER,DIN 6798,V4.3	
61.	0058640		WASHER,DIN 125,8.4	
61.	8310682		WASHER,DIN 125, 6.4 BODE	

Models: C4RE
ENTRANCE
BODE
DRIVE PLATE ASSY

Key	PartNumber	Qty	Description	Comment
-----	------------	-----	-------------	---------



0058775

Models: **C4RE
ENTRANCE
BODE
DRIVE PLATE ASSY**

Key	PartNumber	Qty	Description	Comment
1	0058661		BASE PLATE,DRILLED,W/INSERT,BODE	
2	0058662		BEARING POST ASSY,BODE DOOR	
4	0058663		TIE ROD ASSY,W/UNIT,BODE	
4.0	0058664		TIE ROD,WELDED,BODE DOOR	
4.0	0058666		ROD END,PF-6G,BODE DOOR	
4.0	0040046		ROD END,PM-6G,BODE DOOR	
5	0058670		TIE ROD ASSY,BODE DOOR	
5.0	0058667		TUBE,TIE ROD,BODE DOOR	
5.0	4321543		ROD END,BODE DOOR	
7	0029670		CYLINDER, BODE DOOR NO. 3074	
8	0058674		ROD END,BODE DOOR	
10	0058676		BELLCRANK ASSY,BODE DOOR	
11	0058677		COVER,BODE	
12	8300188		VALVE,MAC AIR,BODE DOOR"	
14	0026672		RIVET, TUBULAR DIN 7339,5X.25X15 (0007.10)	
15	8306342		HOSE,AIR LINE METRIC 3M BODE DOOR	
16	0058681		RIVET,POP,ABS-6A,.251-375 GR	
17	0026669		FITTING SW ELBOW 0053.13	
18	0058682		LAMP,DOME,BODE 01-6104-74	
19	0058683		FITTING,1/8" MALE ELBOW,BODE	
20	4305256		FILTER,NOISE,BODE,0047.04	
21	0058684		FITTING,SWIVEL SWVE 8LM,BODE	
22	0026666		FITTING, STRAIGHT 0050.24	

Models: C4RE
ENTRANCE
BODE
DRIVE PLATE ASSY

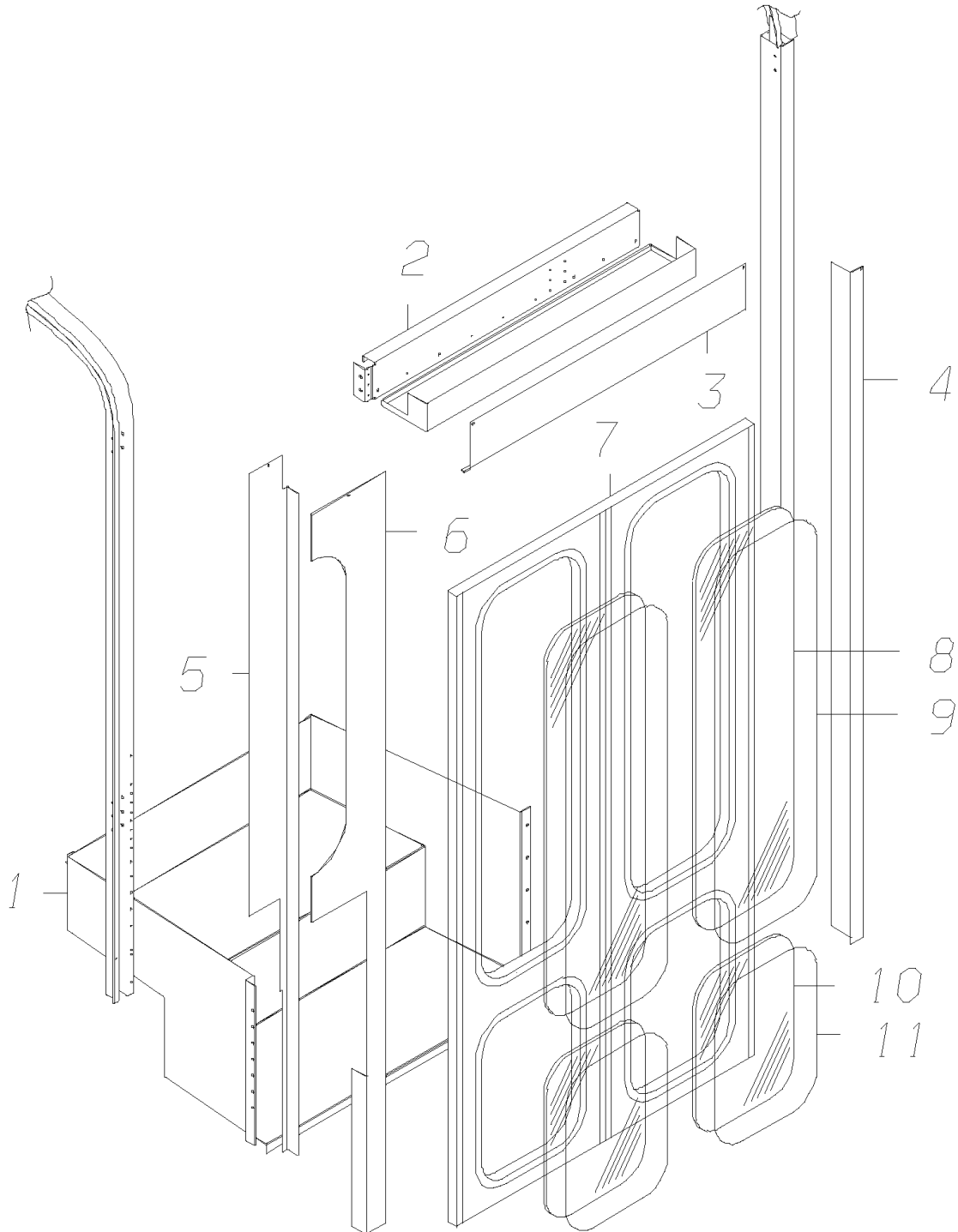
Key	PartNumber	Qty	Description	Comment
23	0058685		FITTING,STRAIGHT GL 8LM,BODE	
24	0058687		BEARING,BODE DOOR	
25	0058688		SPACER,BODE	
26	8306318		FITTING,STRAIGHT BODE DOOR 0050.18.N	
27	4314704		FITTING,BARBED,BODE DOOR	
28	0026665		BRACKET, AIR FILTER 0048.08	
29	0058691		AIR FILTER,BODE	
30	0058692		PLATE,TAPPING,BODE	
31	8306367		SWITCH,ROLLER,BODE DOOR 0057.46.N"	
32	4314837		VALVE,EMERGENCY,BODE DR"	
33	8306375		THROTTLE VALVE, BODE DOOR 0063.01.N"	
34	0058695		PLUG,DIN 7604,AM12 X 1.5	
35	0058696		POST SEAL,BODE	
36	0058697		SEAL RETAINER,BODE	
50.	0058700		SCREW,HEX HEAD,3/8"-16 X 1-1/2"	
50.	0058701		SCREW,HEX HEAD,3/8"-16 X 2"	
50.	0058702		SCREW,DIN 7982,4.2 X 13	
50.	0058705		SCREW,HEX HEAD,1/4"-20 X 3/4"	
50.	0027361		SCREW, DIN 933,M8X25 0001.58	
50.	0052021		SCREW,HEX HEAD,7/16"-14X1-3/4"	
50.	0058709		SCREW,DIN 933,M8 X 35	
50.	0058711		SCREW,DIN 84,M3 X 30	
51.	0058712		WASHER,FENDER,1-1/2" OD,11/32" ID	

Models: C4RE
ENTRANCE
BODE
DRIVE PLATE ASSY

Key	PartNumber	Qty	Description	Comment
51.	0058721		WASHER,DIN 125,A10.5	
51.	0058729		WASHER,DIN 6798,J6.4	
51.	0058640		WASHER,DIN 125,8.4	
51.	0052030		WASHER,DIN 6798,J8.4"	
51.	0052035		WASHER,FLAT 3/8"	
51.	0058739		WASHER,DIN 7603, 12 X 15.5	
51.	0058758		WASHER,DIN 137,A3	
51.	8310682		WASHER,DIN 125, 6.4 BODE	
52.	0058764		NUT,JAM,3/8"-24	
52.	0052091		NUT,JAM 3/8"-24LH	
52.	0058760		NUT,LOCK,3/8"-16	
52.	0058770		NUT,LOCK,7/16"-14	
52.	0052041		NUT,JAM 7/16"-20	
52.	0058771		NUT,PT FLANGE,1/4"-20	

Models: C4RE
ENTRANCE
BODE
INSTALLATION

Key	PartNumber	Qty	Description	Comment
-----	------------	-----	-------------	---------

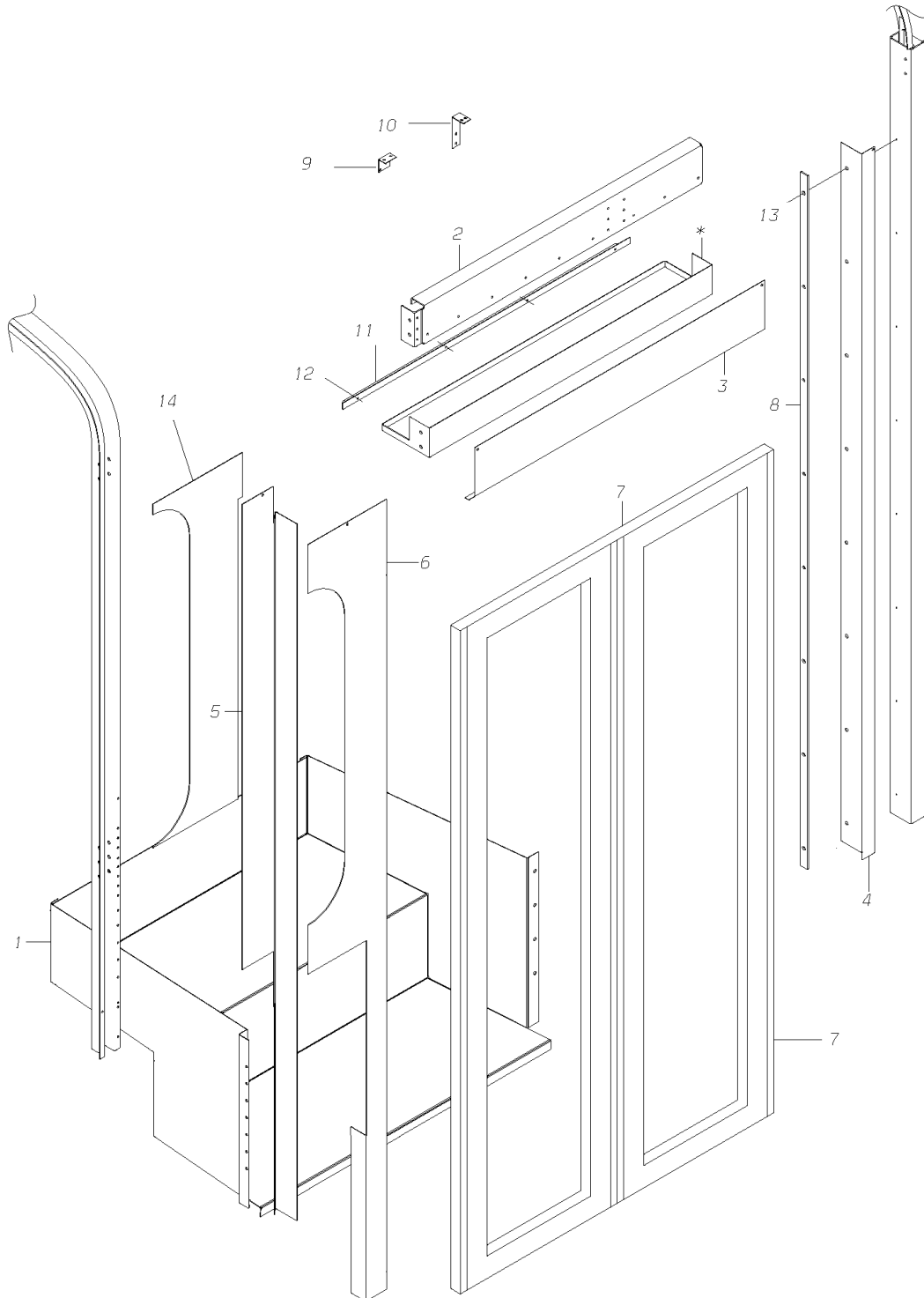


Models: C4RE
ENTRANCE
BODE
INSTALLATION

Key	PartNumber	Qty	Description	Comment
1			FOR THE STEPWELL ASSY.,	SEE GROUP 340, STEPWELLS & STEPS
2	0036545		HEADER,FRONT,RIGHT HAND, C4RE	
3	0049161		TRIM,EXTERIOR,UPPER,BODE ENTRANCE DOOR	
4	0042208		TRIM,CORNER POST,FRONT,RIGHT HAND, C4RE	
5	0037465		TRIM,REAR,INSIDE,ENTRANCE DOOR, C4RE	
6	0037464		BOW CAP,REAR,ENTRANCE DOOR, C4RE	
7	0037068		DOOR,FRONT,BODE 3350, C4RE	
8	0037028	2	GLASS,UPPER,FRONT DOOR, C4RE	STANDARD
8	0046659	2	GLASS,UPPER,INSULATED,FRONT DOOR,C4RE	FEATURE 6176
9	0046861	2	RUBBER,WINDOW,UPPER,BODE FRONT DOOR,	STANDARD
9	0046858	2	RUBBER,WDO,UPR,INSULATED,BODE FRT DOOR	FEATURE 6176
10	0037029	2	GLASS,LOWER,FRONT DOOR, C4RE	STANDARD
10	0046660	2	GLASS,LOWER,INSULATED,FRONT DOOR,C4RE	FEATURE 6176
11	0046862	2	RUBBER,WINDOW,LOWER,FRONT BODE DOOR,	STANDARD
11	0046860	2	RUBBER,WDO,LWR,INSULATED,BODE FRT	FEATURE 6176

Models: C4RE
ENTRANCE
BODE
SHUTTLE
With: STD.

Key	PartNumber	Qty	Description	Comment
-----	------------	-----	-------------	---------

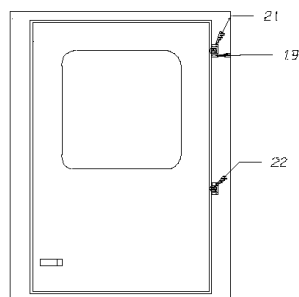
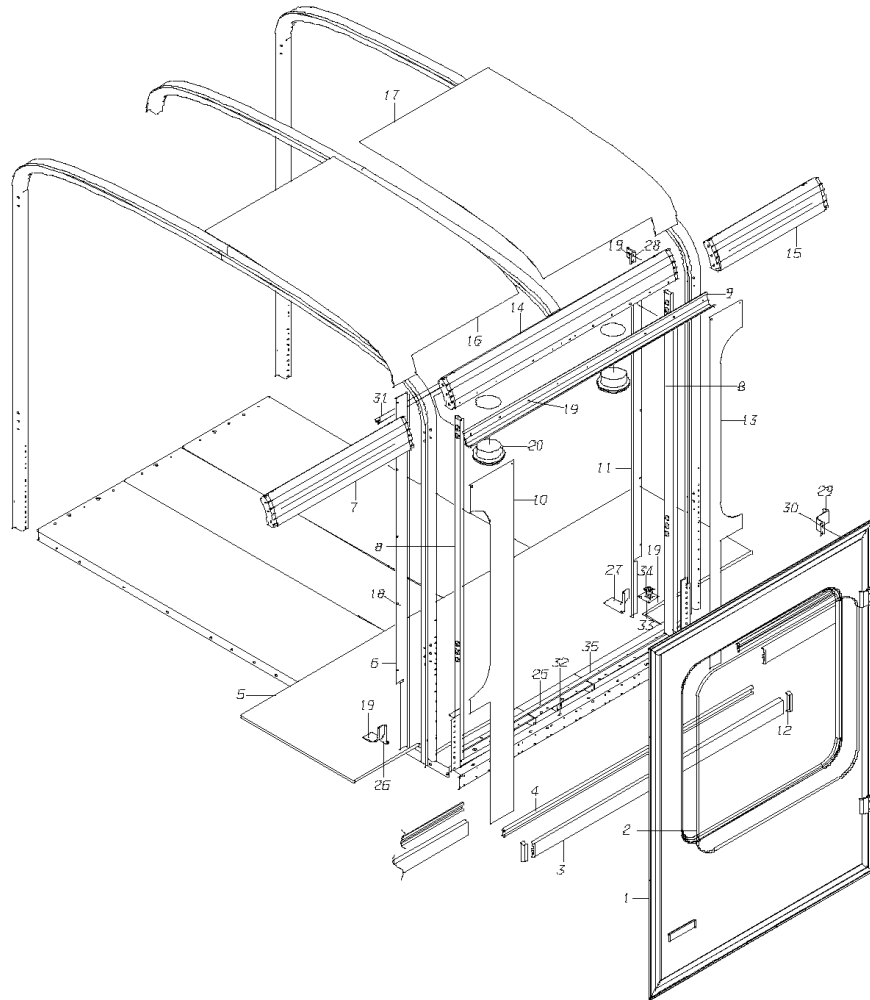


Models: C4RE
ENTRANCE
BODE
SHUTTLE
With: STD.

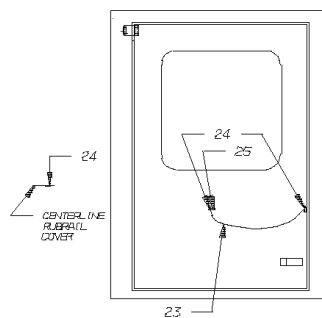
Key	PartNumber	Qty	Description	Comment
1			REFER TO "STEPWELLS & HANDRAILS" FOR THE	
2	0036545		HEADER,FRONT,RIGHT HAND, C4RE	
3	0049161		TRIM,EXTERIOR,UPPER,BODE ENTRANCE DOOR	
4	0053142		TRIM,CORNER POST,FRONT,RH,SHUTTLE DOOR	
5	0051750		TRIM,REAR,INSIDE,FRONT SHUTTLE DOOR,	
6	0052339		BOW CAP,REAR,SHUTTLE ENTRANCE DOOR,	
7	0051780		DOOR,FRONT,SHUTTLE,BODE 3352, C4RE	
7	0097471		GLASS,REPLACEMENT,ENTRANCE DOOR,BODE	
7	0097472		SEAL,DOOR,LEADING EDGE,ENTRANDE DOOR,	
8	0051691		SPACER,SIDE,BODE ENTRANCE DOOR,SHUTTLE	
9	0051510		BRACKET,MTG,AIR FILTER,BODE DOOR, C4RE	
10	0051511		BRACKET,MTG,THROTTLE VALVE,BODE DOOR,	
11	0050770		ANGLE,MTG,HEADER COVER,ENTRANCE DOOR,	
12	1549211	4	RIVET,CHERRY,SSPVH-204-4	
13	0527333	8	SCREW,10-16 X 3/4,AB,PH1,OVAL CNSKHD,YEL	
14	0061527		BOW CAP,INSIDE,RR OF FRT DOOR,SHTTLE,	

Models: C4RE
 LIFT
 BODE
 INSTALLATION
 With: FEATURE 31060-02
 To BSN F20055504

Key	PartNumber	Qty	Description	Comment
-----	------------	-----	-------------	---------



STANDOFF BRACKET LOCATION DETAIL



HOOK & CABLE LOCATION DETAIL
 VIEWED FROM INSIDE OF BUS

Models: C4RE
LIFT
BODE
INSTALLATION
With: FEATURE 31060-02
To BSN F20055504

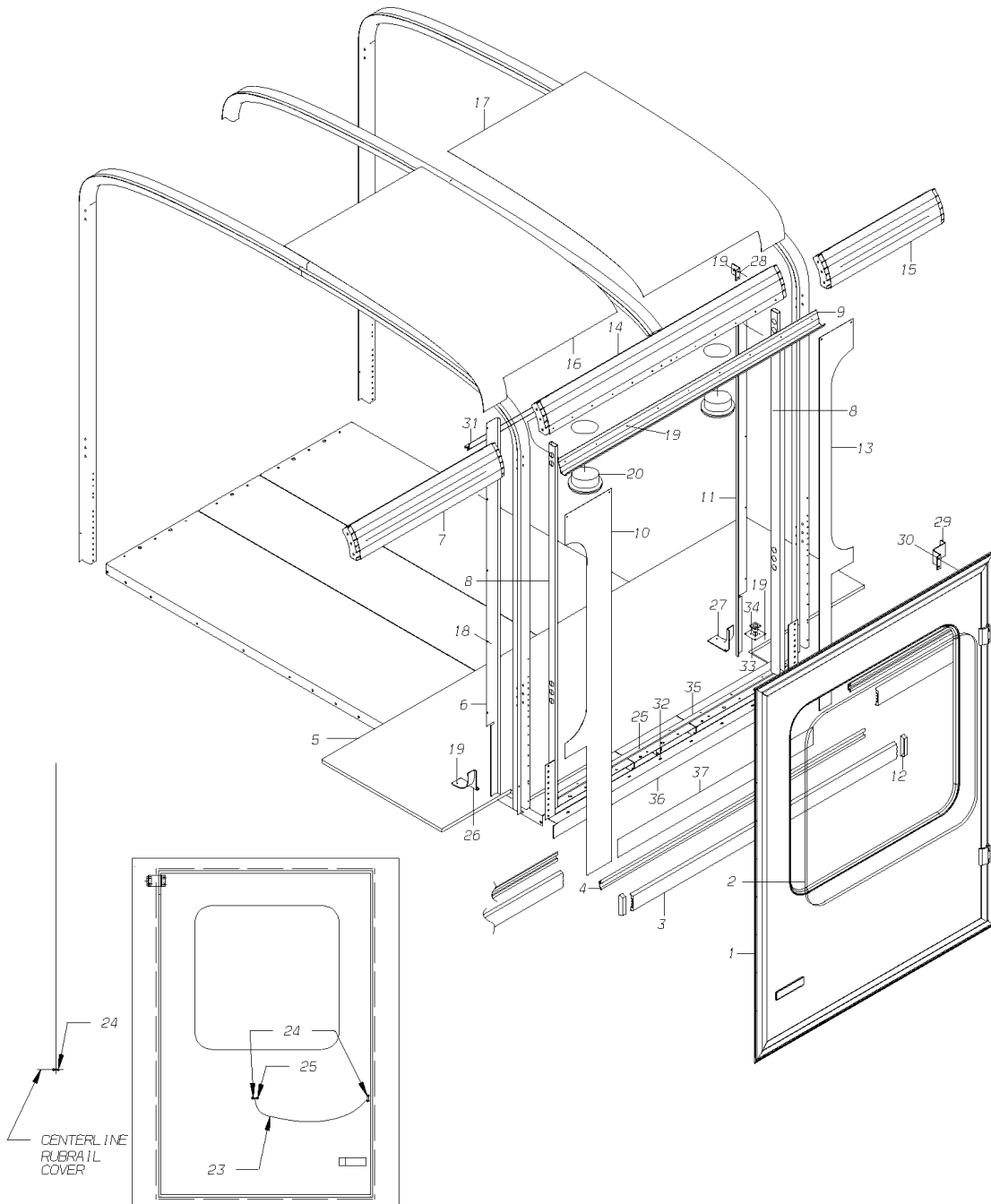
Key	PartNumber	Qty	Description	Comment
1	0055047		KIT,DOOR ASSY,ADA LIFT,BODE 3406, C4RE	
2	0055286		GLASS,DOOR,BODE 3304, C4RE	
3	1863091		EXTRUSION,TRIM,SI PNL,LWR	
4	1863109		EXTRUSION,SI PNL,LWR	
5	0053250		PLYWOOD,SUBFLOOR,BODE LIFT DOOR, C4RE	STANDARD
5	0053249		PLYWOOD,SUBFLOOR,BODE LIFT DOOR,MARINE	USE WITH OPTIONAL ALTRO FLOOR
6	0055332		TRIM,ANGLE,INTERIOR,BODE LIFT DOOR,RR,	
7	0035604		HEADER ASSY,UPPER,REAR,EXIT DOOR, C4RE	
8	0055036	2	SPACER,TUBE,BODE LIFT DOOR, C4RE	
9	0052366		MOULDING,DRIP,BODE LIFT DOOR, C4RE	
10	0051818		BOW CAP,REAR,BODE LIFT DOOR, C4RE	
11	0055331		TRIM,ANGLE,INTERIOR,BODE LIFT DOOR,FRT	
12	1653872	2	CAP,END,ALUMINUM RUBRAIL COVER	
13	0051817		BOW CAP,FRONT,BODE LIFT DOOR, C4RE	
14	0055024		HEADER ASSY,BODE LIFT DOOR, C4RE	
15	0035602		HEADER ASSY,UPPER,FRONT,28.00,EXIT DR,	
15	0035603		HEADER ASSY,UPPER,FRONT,32.00,EXIT DR,	
16	0055039		PANEL,ROOF,O/S,28.00,RR,BODE LIFT DOOR	
17	0055038		PANEL,ROOF,O/S.28.00,FRT,BODE LIFT	
18	0542019	10	RIVET,LONG CHERRY,7355-100-6-8	
19	1143676	18	SCREW,10-16 X 3/4, AB,PH1,PAN HD,BLK ZN,	
20	1392075	2	LIGHT,BACK-UP,W/CLEAR LENS,W,3-1060-1100	
21	1735521	2	BRACKET,STANDOFF,RUBBER BUMPER,BODE	

Models: C4RE
LIFT
BODE
INSTALLATION
With: FEATURE 31060-02
To BSN F20055504

Key	PartNumber	Qty	Description	Comment
22	2018786	2	CUP,REPLACEMENT,ORTHOPEDIC UNIT	
23	1253533		CABLE & HOOK ASSY,CMPT DOOR,25 3/4	
24	0602029	3	BRACKET,O/S CHAIN HOOK	
25	0527317	16	SCREW,8-18 X 5/8,AB,PH1,OVAL CNSK HD,YEL	
26	0041062		CLOSEOUT,FRONT,FLOOR,COVE MOLDING,	
27	0041233		CLOSEOUT,REAR,FLOOR,COVE MOLDING, C4RE	
28	0063001		BRACKET,MTG,SWITCH,BODE LIFT DOOR, C4RE	
29	0063002		BRACKET,DOOR,BODE LIFT, C4RE	
30	1167808	2	SCREW,1/4-14 X 3/4,AB,PH1,PAN HD,BLK ZN	
31	0053080		EXTRUSION,AIR CONDITIONING DUCTING,	
32	1854397	8	RIVET,BLIND,,.25 DIA,.38 GRIP	
33	1702869		PLATE,MTG,ELECT CONNECTOR,RICON LIFT,	
34	0527267	4	SCREW,6-20 X 1/2,AB,PH1,PAN HD,YEL ZN	
35	0802330		TRIM,DRIVERS FLOOR	
NI	0898627		SEALANT,CARTRIDGE,SM5522,VINYL GRAY	TUBE

Models: C4RE
LIFT
BODE
INSTALLATION
With: FEATURE 31060-02
BSN: From BSN F20055505

Key	PartNumber	Qty	Description	Comment
-----	------------	-----	-------------	---------



HOOK & CABLE LOCATION DETAIL
VIEWED FROM INSIDE OF BUS

Models: C4RE
LIFT
BODE
INSTALLATION
With: FEATURE 31060-02
BSN: From BSN F20055505

Key	PartNumber	Qty	Description	Comment
1	0055047		KIT,DOOR ASSY,ADA LIFT,BODE 3406, C4RE	
2	0055286		GLASS,DOOR,BODE 3304, C4RE	
3	1863091		EXTRUSION,TRIM,SI PNL,LWR	
4	1863109		EXTRUSION,SI PNL,LWR	
5	0053250		PLYWOOD,SUBFLOOR,BODE LIFT DOOR, C4RE	
6	0055332		TRIM,ANGLE,INTERIOR,BODE LIFT DOOR,RR,	
7	0035604		HEADER ASSY,UPPER,REAR,EXIT DOOR, C4RE	
8	0055036		SPACER,TUBE,BODE LIFT DOOR, C4RE	
9	0052366		MOULDING,DRIP,BODE LIFT DOOR, C4RE	PLATFORM LIFT ONLY
10	0051818		BOW CAP,REAR,BODE LIFT DOOR, C4RE	
11	0055331		TRIM,ANGLE,INTERIOR,BODE LIFT DOOR,FRT	
12	1653872		CAP,END,ALUMINUM RUBRAIL COVER	
13	0051817		BOW CAP,FRONT,BODE LIFT DOOR, C4RE	
14	0055024		HEADER ASSY,BODE LIFT DOOR, C4RE	
15	0035602		HEADER ASSY,UPPER,FRONT,28.00,EXIT DR,	
16	0063268		PANEL,ROOF,O/S,28.00,RR,BODE LIFT DR,	
17	0063267		PANEL,ROOF,O/S.28.00,FRT,BODE LIFT DR,	
18	0542019	10	RIVET,LONG CHERRY,7355-100-6-8	
19	1143676		SCREW,10-16 X 3/4, AB,PH1,PAN HD,BLK ZN,	SKIRT MTD LIFT ONLY
20	1392075		LIGHT,BACK-UP,W/CLEAR LENS,W,3-1060-1100	
21	1735521		BRACKET,STANDOFF,RUBBER BUMPER,BODE	
22	2018786		CUP,REPLACEMENT,ORTHOPEDIC UNIT	
23	1253533		CABLE & HOOK ASSY,CMPT DOOR,25 3/4	

Models: C4RE
LIFT
BODE
INSTALLATION
With: FEATURE 31060-02
BSN: From BSN F20055505

Key	PartNumber	Qty	Description	Comment
24	0602029		BRACKET,O/S CHAIN HOOK	
25	0527317		SCREW,8-18 X 5/8,AB,PH1,OVAL CNSK HD,YEL	
26	0041062		CLOSEOUT,FRONT,FLOOR,COVE MOLDING,	
27	0041233		CLOSEOUT,REAR,FLOOR,COVE MOLDING, C4RE	
28	0063001		BRACKET,MTG,SWITCH,BODE LIFT DOOR, C4RE	
29	0063002		BRACKET,DOOR,BODE LIFT, C4RE	
30	1167808		SCREW,1/4-14 X 3/4,AB,PH1,PAN HD,BLK ZN	
31	0053080		EXTRUSION,AIR CONDITIONING DUCTING,	
32	1854397		RIVET,BLIND,.25 DIA,.38 GRIP	
33	1702869		PLATE,MTG,ELECT CONNECTOR,RICON LIFT,	
34	0527267		SCREW,6-20 X 1/2,AB,PH1,PAN HD,YEL ZN	
35	0802330		TRIM,DRIVERS FLOOR	
36	0063531		GUSSET,FLOOR,56.00,BODE LIFT DOOR, C4RE	
37	0063568		PANEL,OS,SIDE,LOWER,BODE LIFT DOOR, C4RE	
38			SENSOR MODULE SUPPLIED WITH RICON LIFT	SKIRT MTD LIFT ONLY
39	0033278		SCREW,4-40 X 1/2,F,PH1,PAN HD,YEL ZN DICH	SKIRT MTD LIFT ONLY
40	0087235		HOUSING,LIGHT,WHEELCHAIR LIFT,DUAL, C4RE	SKIRT MTD LIFT ONLY
41	0036715		PLUG,BUTTON,BLACK,DP-2.50,HEYCO 2790	SKIRT MTD LIFT ONLY
42	0077820		LIGHT,HALOGEN,12V,DOCKING,HELLA 88708B	. SKIRT MTD LIFT ONLY
43	0089880		WASHER,LIGHT,ADJUSTMENT,HALOGEN,12V	

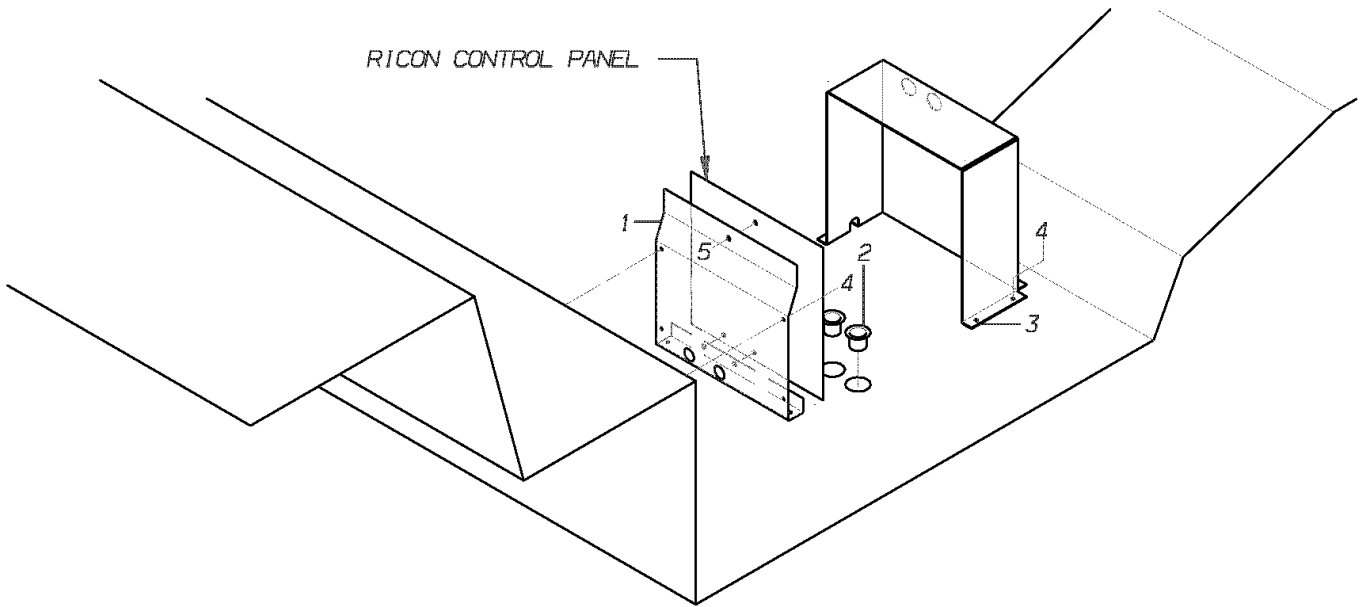
Models: C4RE
LIFT
RICON CONTROL PANEL

Key	PartNumber	Qty	Description	Comment
-----	------------	-----	-------------	---------

DR. 02/24/05 BY TB		1942192	B
APP.	BY	FRT	REV



© BLUE BIRD BODY COMPANY. ALL RIGHTS RESERVED



Models: C4RE
LIFT
RICON CONTROL PANEL

Key	PartNumber	Qty	Description	Comment
1	1942150		BRACKET,MTG,CONTROL PANEL,RICON	
2	1150846	2	BUSHING,NYLON,1 ID THOMSON 16L16F	
3	1942168		COVER,CONTROL PANEL,RICON LIFT,CS/QBRE	
4	1143676	11	SCREW,10-16 X 3/4, AB,PH1,PAN HD,BLK ZN,	
5	2000784	3	SCREW,MACH,1/4-20X1/2,PH1,TRUSSHD,	