

Body

360 Windows

ENTRANCE, LIFT, AND REAR EMERGENCY DOOR/WINDOW

ENTRANCE DOOR

GLASS

1

TRANSIT

2910, (REFERENCE) LOCATION AND SIZE

2

3505, (REFERENCE) LOCATION AND SIZE

3

4000, (REFERENCE) LOCATION AND SIZE

4

EXCEL

FULL SLIDER

5

SOLID

6

TOP TRANSOM

7

HEHR

SOLID

With: FEATURE 31195-07, -08, -09

8

SOLID INSULATED

With: FEATURE 31195-01, -02, -03

9

TOP T - SLIDER

With: FEATURE 31195-04, -05, -06

10

WINDSHIELD AND DESTINATION SIGN

With: STANDARD

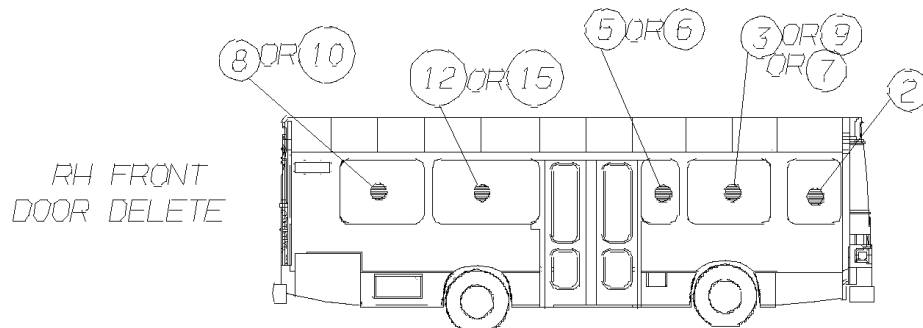
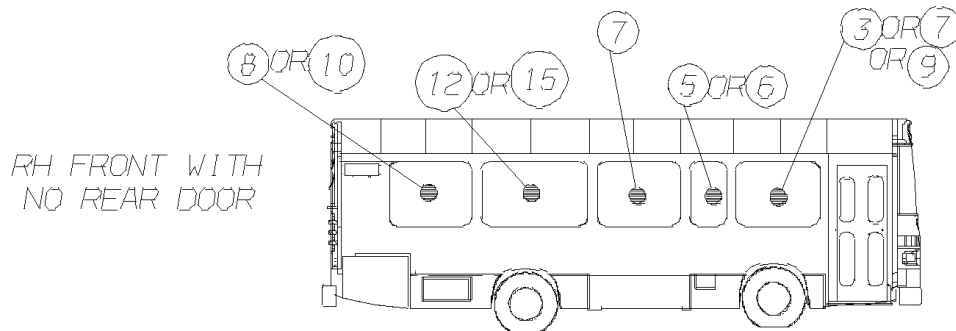
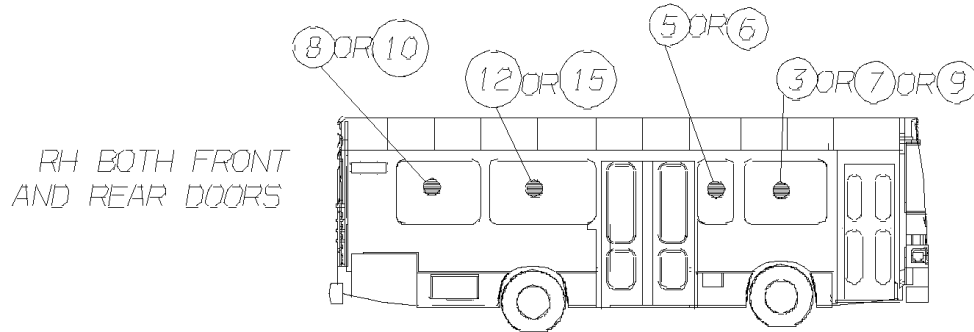
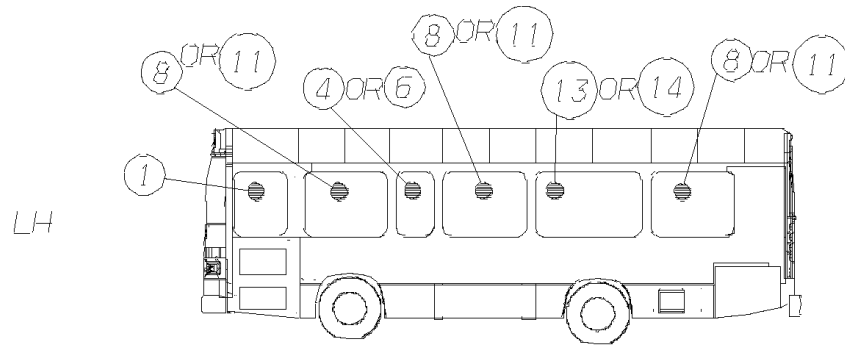
11

Models: C4RE
ENTRANCE, LIFT, AND REAR EMERGENCY DOOR/WINDOW
ENTRANCE DOOR
GLASS

Key	PartNumber	Qty	Description	Comment
	0037028		GLASS,UPPER,FRONT DOOR, C4RE	<i>WITH OPTION 6176</i>
	0037029		GLASS,LOWER,FRONT DOOR, C4RE	<i>WITH OPTION 6176</i>
	0046861		RUBBER,WINDOW,UPPER,BODE FRONT DOOR,	
	0046862		RUBBER,WINDOW,LOWER,FRONT BODE DOOR,	
	0046659		GLASS,UPPER,INSULATED,FRONT DOOR,C4RE	
	0046660		GLASS,LOWER,INSULATED,FRONT DOOR,C4RE	
	0046858		RUBBER,WDO,UPR,INSULATED,BODE FRT DOOR	
	0046860		RUBBER,WDO,LWR,INSULATED,BODE FRT	

Models: C4RE
 TRANSIT
 2910, (REFERENCE) LOCATION AND SIZE

Key	PartNumber	Qty	Description	Comment
-----	------------	-----	-------------	---------

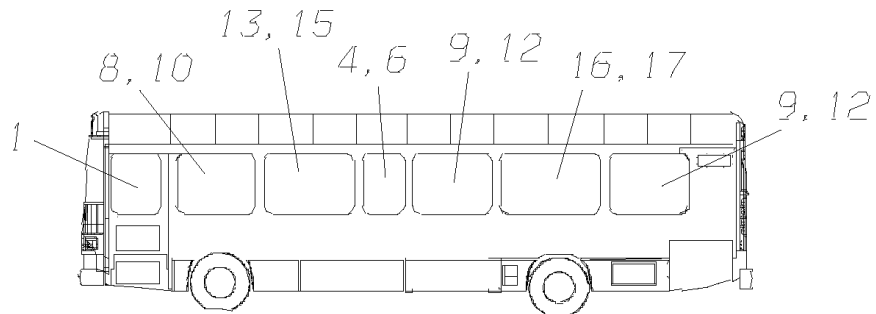


Models: C4RE
 TRANSIT
 2910, (REFERENCE) LOCATION AND SIZE

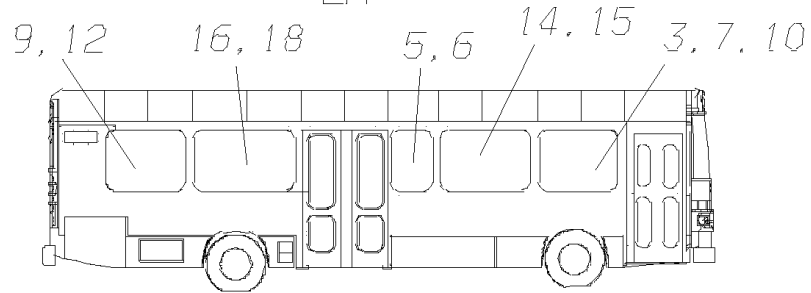
Key	PartNumber	Qty	Description	Comment
1			DRIVERS	
2			COPILOT	
3			56 IN DESTINATION	
4			28 IN LH NON-EGRESS	
5			28 IN RH NON-EGRESS	
6			28 IN LH/RH NON-EGRESS	
7			56 IN RH NON-EGRESS	
8			56 IN LH/RH EGRESS	
9			56 IN LH/RH NON-EGRESS	
10			56 IN RH EGRESS	
11			56 IN LH EGRESS	
12			70 IN RH EGRESS	
13			70 IN LH/RH NON-EGRESS	
14			70 IN LH NON-EGRESS	
15			70 IN LH/RH EGRESS	
NI	1801067		SCREW,8-18 X 3/4,PH1,PAN HD,BLKZN,S/DRILL	
NI	0862953		SEALANT,SCHNEE-MOREHEAD 5522,VINYL	

Models: C4RE
 TRANSIT
 3505, (REFERENCE) LOCATION AND SIZE

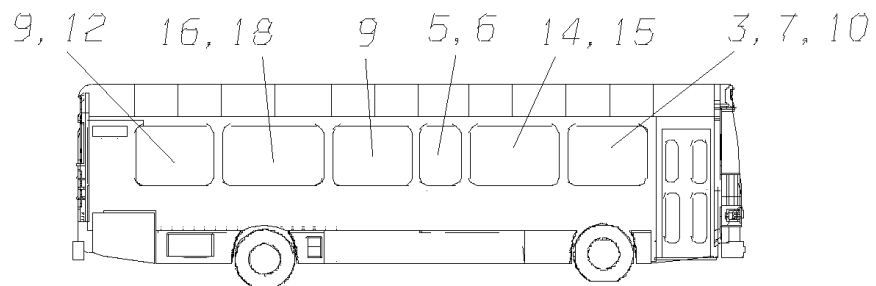
Key	PartNumber	Qty	Description	Comment
-----	------------	-----	-------------	---------



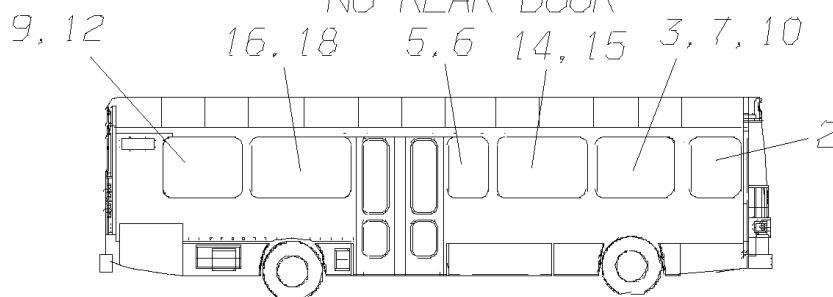
LH



RH BOTH FRONT
 AND REAR DOORS



RH FRONT WITH
 NO REAR DOOR



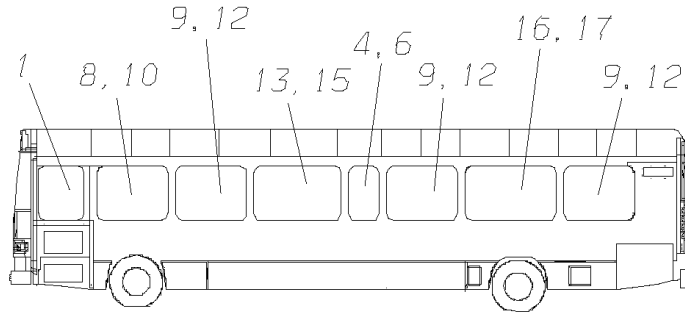
RH FRONT
 DOOR DELETE

Models: C4RE
 TRANSIT
 3505, (REFERENCE) LOCATION AND SIZE

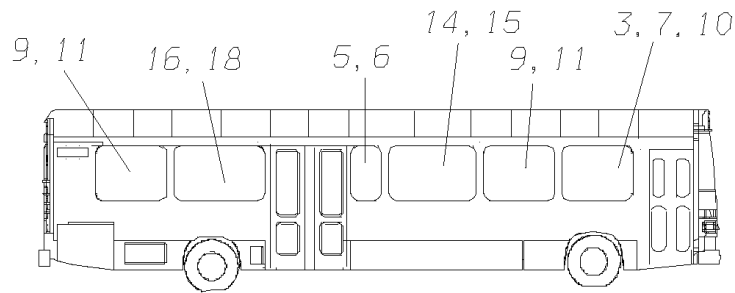
Key	PartNumber	Qty	Description	Comment
1			DRIVERS	
2			COPILOT	
3			56 IN DESTINATION	
4			32 IN LH NON-EGRESS	
5			32 IN RH NON-EGRESS	
6			32IN LH/RH NON-EGRESS	
7			56 IN RH NON-EGRESS	
8			56 IN LH NON-EGRESS	
9			56 IN LH/RH EGRESS	
10			56 IN LH/RH NON-EGRESS	
11			56 IN RH EGRESS	
12			56 IN LH EGRESS	
13			63 IN LH EGRESS	
14			63 IN RH EGRESS	
15			63 IN LH/RH EGRESS	
16			70 IN LH/RH NON-EGRESS	
17			70 IN LH NON-EGRESS	
18			70 IN RH NON-EGRESS	
NI	1801067		SCREW,8-18 X 3/4,PH1,PAN HD,BLKZN,S/DRILL	
NI	0862953		SEALANT,SCHNEE-MOREHEAD 5522,VINYL	

Models: C4RE
 TRANSIT
 4000, (REFERENCE) LOCATION AND SIZE

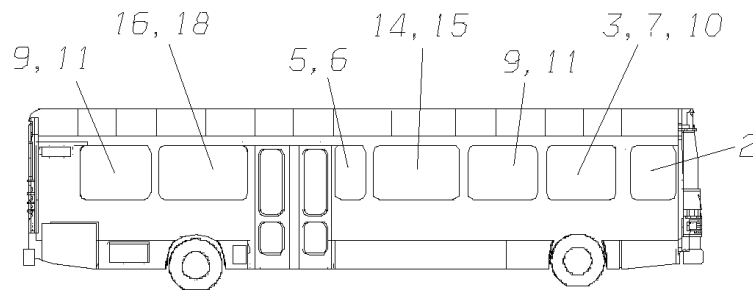
Key	PartNumber	Qty	Description	Comment
-----	------------	-----	-------------	---------



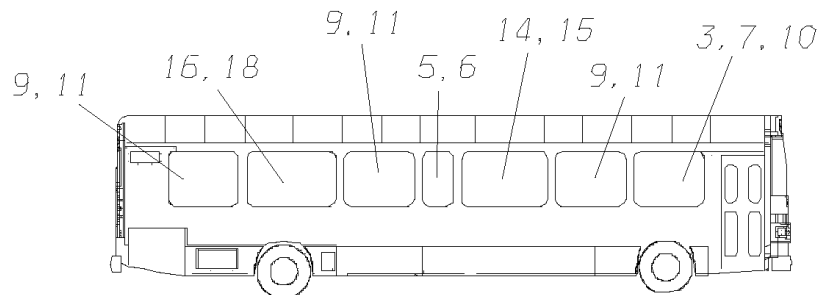
LH



RH BOTH FRONT
 AND REAR DOORS



RH FRONT
 DOOR DELETE



RH FRONT WITH
 NO REAR DOOR

Models: C4RE
 TRANSIT
 4000, (REFERENCE) LOCATION AND SIZE

Key	PartNumber	Qty	Description	Comment
1			DRIVERS	
2			COPILOT	
3			56 IN DESTINATION	
4			32 IN LH NON-EGRESS	
5			32 IN RH NON-EGRESS	
6			32IN LH/RH NON-EGRESS	
7			56 IN RH NON-EGRESS	
8			56 IN LH NON-EGRESS	
9			56 IN LH/RH EGRESS	
10			56 IN LH/RH NON-EGRESS	
11			56 IN RH EGRESS	
12			56 IN LH EGRESS	
13			63 IN LH EGRESS	
14			63 IN RH EGRESS	
15			63 IN LH/RH EGRESS	
16			70 IN LH/RH NON-EGRESS	
17			70 IN LH NON-EGRESS	
18			70 IN RH NON-EGRESS	
NI	1801067		SCREW,8-18 X 3/4,PH1,PAN HD,BLKZN,S/DRILL	
NI	0862953		SEALANT,SCHNEE-MOREHEAD 5522,VINYL	

Models: C4RE
TRANSIT
EXCEL
FULL SLIDER

Key	PartNumber	Qty	Description	Comment
			SIDE DESTINATION SIGN	
	0041297		WINDOW ASSY,TRANSIT,EXCEL,56,DEST,SLDG,	
	0065496		LATCH,HANDLE,DRVRS,SLIDE ROCKER,EXCEL	
	0066470		GLASS,UPPER,DEST SIGN,EXCEL	
	0066474		GLASS,SLIDING,FRT&RR,DEST WDW,EXCEL	
			DRIVER AND CO-PILOT WINDOW - GLASS SIZE	
	0041298		WINDOW ASSY,TRANSIT,EXCEL,DRIVER,SLDG,	
	0065496		LATCH,HANDLE,DRVRS,SLIDE ROCKER,EXCEL	
	0066462		GLASS,UPPER,DRIVERS,SLIDING,32.38,EXCEL	
	0067600		KIT,RETROFIT,DRIVER WINDOW LATCH	<i>CONSISTS OF KEEPER, 2 SCREWS, & LATCH</i>
	0041299		WINDOW ASSY,TRANSIT,EXCEL,COPILOT,SLDG,	
			PASSENGER WINDOWS	
			WINDOW ASSY, TRANSIT, EXCEL, NON -	
	0065496		LATCH,HANDLE,DRVRS,SLIDE ROCKER,EXCEL	
	0066490		CHANNEL,WINDOW,FULL SLIDER,EXCEL	
	0041300		WINDOW ASSY,TRANSIT,EXCEL,28,SOLID,BLK	
	0041301		WINDOW ASSY,TRANSIT,EXCEL,32,SOLID,BLK	
	0041307		WINDOW ASSY,TRANSIT,EXCEL,56,SLDG,LH,	
	0066457		GLASS,SLIDING,FRONT AND REAR,50.12,EXCEL	
	0041308		WINDOW ASSY,TRANSIT,EXCEL,56,SLDG,RH,	
	0066457		GLASS,SLIDING,FRONT AND REAR,50.12,EXCEL	
	0041309		WINDOW ASSY,TRANSIT,EXCEL,70,SLDG,LH,	
	0066458		GLASS,SLIDING,FRONT AND REAR,64.12,	

Models: C4RE
TRANSIT
EXCEL
FULL SLIDER

Key	PartNumber	Qty	Description	Comment
	0041310		WINDOW ASSY,TRANSIT,EXCEL,70,SLDG,RH,	
	0066458		GLASS,SLIDING,FRONT AND REAR,64.12, WINDOW ASSY, TRANSIT, EXCEL, EGRESS	
	0065496		LATCH,HANDLE,DRVRS,SLIDE ROCKER,EXCEL	
	0066490		CHANNEL,WINDOW,FULL SLIDER,EXCEL	
	0041311		WINDOW ASSY,TRANSIT,EXCEL,56,SLDG,EE,LH,	
	0066444		GLASS,SLIDING,FRONT AND REAR,50.12,	
	0009071		EMERGENCY RELEASE HANDLE 50.38X38.88	
	0041312		WINDOW ASSY,TRANSIT,EXCEL,56,SLDG,EE,	
	0066444		GLASS,SLIDING,FRONT AND REAR,50.12,	
	0009070		EMERGENCY RELEASE HANDLE, 64.38X38.88	
	0041313		WINDOW ASSY,TRANSIT,EXCEL,63,SLDG,EE,LH,	
	0066447		GLASS,SLIDING,FRONT AND REAR,57.12,	
	0009071		EMERGENCY RELEASE HANDLE 50.38X38.88	
	0041314		WINDOW ASSY,TRANSIT,EXCEL,63,SLDG,EE,	
	0066447		GLASS,SLIDING,FRONT AND REAR,57.12,	
	0009070		EMERGENCY RELEASE HANDLE, 64.38X38.88	
	0041315		WINDOW ASSY,TRANSIT,EXCEL,70,SLDG,EE,LH,	
	0066449		GLASS,SLIDING,FRONT AND REAR,64.12,	
	0066507		HANDLE,ASSEMBLY,LH,EMERG RELEASE,EXCEL,	
	0041316		WINDOW ASSY,TRANSIT,EXCEL,70,SLDG,EE,	
	0066449		GLASS,SLIDING,FRONT AND REAR,64.12,	
	0066495		HANDLE,ASSEMBLY,RH,EMERG RELEASE,EXCEL,	

Models: C4RE
TRANSIT
EXCEL
SOLID

Key	PartNumber	Qty	Description	Comment
			SIDE DESTINATION SIGN	
	0041296		WINDOW ASSY,TRANSIT,EXCEL,56,DEST, DRIVER AND CO-PILOT WINDOW - GLASS SIZE	
	0041298		WINDOW ASSY,TRANSIT,EXCEL,DRIVER,SLDG,	
	0067600		KIT,RETROFIT,DRIVER WINDOW LATCH	<i>CONSISTS OF KEEPER, 2 SCREWS, & LATCH</i>
	0041299		WINDOW ASSY,TRANSIT,EXCEL,COPILOT,SLDG, PASSENGER WINDOWS	
			WINDOW ASSY, TRANSIT, EXCEL, NON -	
	0041300		WINDOW ASSY,TRANSIT,EXCEL,28,SOLID,BLK	
	0041301		WINDOW ASSY,TRANSIT,EXCEL,32,SOLID,BLK	
	0041302		WINDOW ASSY,TRANSIT,EXCEL,56,SOLID,BLK	
	0041303		WINDOW ASSY,TRANSIT,EXCEL,70,SOLID,BLK WINDOW ASSY, TRANSIT, EXCEL, EGRESS	
	0041304		WINDOW ASSY,TRANSIT,EXCEL,56,SOLID,EE,	
	0041305		WINDOW ASSY,TRANSIT,EXCEL,63,SOLID,EE,	
	0041306		WINDOW ASSY,TRANSIT,EXCEL,70,SOLID,EE,	

Models: C4RE
TRANSIT
EXCEL
TOP TRANSOM

Key	PartNumber	Qty	Description	Comment
			SIDE DESTINATION SIGN	
	0041296		WINDOW ASSY,TRANSIT,EXCEL,56,DEST,	
	0066477		GLASS,UPPER,TRAMSON,DEST WDW,EXCEL	
	0066478		GLASS,LOWER,TRANSOM,DEST WDW,EXCEL	
			DRIVER AND CO-PILOT WINDOW - GLASS SIZE	
	0041298		WINDOW ASSY,TRANSIT,EXCEL,DRIVER,SLDG,	
	0067600		KIT,RETROFIT,DRIVER WINDOW LATCH	<i>CONSISTS OF KEEPER, 2 SCREWS, & LATCH</i>
	0041299		WINDOW ASSY,TRANSIT,EXCEL,COPILOT,SLDG,	
			PASSENGER WINDOWS	
			WINDOW ASSY, TRANSIT, EXCEL, NON -	
	0041319		WINDOW ASSY,TRANSIT,EXCEL,28,TRANSOM,	
	0066479		GLASS,UPPER,TRANSOM,22.37,EXCEL	
	0066480		GLASS,LOWER,TRAMSON,22.37,EXCEL	
	0041320		WINDOW ASSY,TRANSIT,EXCEL,32,TRANSOM,	
	0066481		GLASS,UPPER,TRANSOM,26.12,EXCEL	
	0066482		GLASS,LOWER,TRANSOM,26.12,EXCEL	
	0041321		WINDOW ASSY,TRANSIT,EXCEL,56,TRANSOM,	
	0066486		GLASS,UPPER,TRANSOM,50.12,EXCEL	
	0066485		GLASS,LOWER,TRANSOM,50.12,EXCEL	
	0066501		HANDLE,LATCH,ASSY,TRANSOM,EXCEL,EGRESS	
	0066502		SPRING,GAS,TRANSOM WDW,EXCEL	
	0041322		WINDOW ASSY,TRANSIT,EXCEL,70,TRANSOM,	
	0066488		GLASS,UPPER,TRANSOM,64.12,EXCEL	

Models: C4RE
TRANSIT
EXCEL
TOP TRANSOM

Key	PartNumber	Qty	Description	Comment
	0066487		GLASS,LOWER,TRANSOM,64.12,EXCEL	
	0066501		HANDLE,LATCH,ASSY,TRANSOM,EXCEL,EGRESS	
	0066502		SPRING,GAS,TRANSOM WDW,EXCEL	
			WINDOW ASSY, TRANSIT, EXCEL, EGRESS	
	0066502		SPRING,GAS,TRANSOM WDW,EXCEL	
	0066501		HANDLE,LATCH,ASSY,TRANSOM,EXCEL,EGRESS	
	0041323		WINDOW ASSY,TRANSIT,EXCEL,56,TRANSOM,	
	0066486		GLASS,UPPER,TRANSOM,50.12,EXCEL	
	0066489		GLASS,LOWER,TRANSOM,50.12,EGRESS,EXCEL	
	0009070		EMERGENCY RELEASE HANDLE, 64.38X38.88	
	0009071		EMERGENCY RELEASE HANDLE 50.38X38.88	
	0041324		WINDOW ASSY,TRANSIT,EXCEL,63,TRANSOM,	
	0066492		GLASS,UPPER,TRANSOM,EGRESS,EXCEL	
	0066491		GLASS,LOWER,TRANSOM,EGRESS,EXCEL	
	0066495		HANDLE,ASSEMBLY,RH,EMERG RELEASE,EXCEL,	
	0041325		WINDOW ASSY,TRANSIT,EXCEL,70,TRANSOM,	
	0066488		GLASS,UPPER,TRANSOM,64.12,EXCEL	
	0066493		GLASS,LOWER,TRANSOM,64.12,EGRESS,EXCEL	
	0009071		EMERGENCY RELEASE HANDLE 50.38X38.88	

Models: C4RE
 TRANSIT
 HEHR
 SOLID
With: FEATURE 31195-07, -08, -09

Key	PartNumber	Qty	Description	Comment
			SIDE DESTINATION SIGN	
	0045164		WINDOW ASSY,TRANSIT,HEHR,56,DEST,SOLID, PASSENGER WINDOWS	
			WINDOW ASSY, TRANSIT, SOLID, HEHR, NON-	
	0045140		WINDOW ASSY,TRANSIT,HEHR,28,SOLID,BLK,	
	0045141		WINDOW ASSY,TRANSIT,HEHR,32,SOLID,BLK,	
	0045142		WINDOW ASSY,TRANSIT,HEHR,56,SOLID,BLK	
	0045144		WINDOW ASSY,TRANSIT,HEHR,70,SOLID,BLK	
			WINDOW ASSY, TRANSIT, SOLID, HEHR,	
	0045146		WINDOW ASSY,TRNST,HEHR,56,SOLID,EE,LH,	
	0045147		WINDOW ASSY,TRNST,HEHR,56,SOLID,EE,RH,	
	0045148		WINDOW ASSY,TRNST,HEHR,63,SOLID,EE,LH,	
	0045149		WINDOW ASSY,TRNST,HEHR,63,SOLID,EE,RH,	
	0045150		WINDOW ASSY,TRNST,HEHR,70,SOLID,EE,LH,	
	0045151		WINDOW ASSY,TRNST,HEHR,70,SOLID,EE,RH,	

Models: C4RE
 TRANSIT
 HEHR
 SOLID INSULATED
With: FEATURE 31195-01, -02, -03

Key	PartNumber	Qty	Description	Comment
			SIDE DESTINATION SIGN	
	0045166		WINDOW ASSY,TRANSIT,HEHR,56,DEST,INSUL, PASSENGER WINDOWS	
			WINDOW ASSY, TRANSIT, SOLID INSULATED,	
	0045152		WINDOW ASSY,TRANSIT,HEHR,28,INSUL,BLK,	
	0045153		WINDOW ASSY,TRANSIT,HEHR,32,INSUL,BLK,	
	0045154		WINDOW ASSY,TRANSIT,HEHR,56,INSUL,BLK	
	0045156		WINDOW ASSY,TRANSIT,HEHR,70,INSUL,BLK	
			WINDOW ASSY, TRANSIT, SOLID INSULATED,	
	0045158		WINDOW ASSY,TRNST,HEHR,56,INSUL,EE,LH,	
	0045159		WINDOW ASSY,TRNST,HEHR,56,INSUL,EE,RH,	
	0045160		WINDOW ASSY,TRNST,HEHR,63,INSUL,EE,LH,	
	0045161		WINDOW ASSY,TRNST,HEHR,63,INSUL,EE,RH,	
	0045162		WINDOW ASSY,TRNST,HEHR,70,INSUL,EE,LH,	
	0045163		WINDOW ASSY,TRNST,HEHR,70,INSUL,EE,RH,	

Models: C4RE
 TRANSIT
 HEHR
 TOP T - SLIDER
With: FEATURE 31195-04, -05, -06

Key	PartNumber	Qty	Description	Comment
			PASSENGER WINDOWS	
			WINDOW ASSY, TRANSIT, T- SLIDER, HEHR,	
	0045126		WINDOW ASSY,TRANSIT,HEHR,28,T-SLD,LH,	
	0045143		WINDOW ASSY,TRANSIT,HEHR,28,T-SLD,RH,	
	0045127		WINDOW ASSY,TRANSIT,HEHR,32,T-SLD,LH,	
	0045145		WINDOW ASSY,TRANSIT,HEHR,32,T-SLD,RH,	
	0045128		WINDOW ASSY,TRANSIT,HEHR,56,T-SLD,LH,	
	0045129		WINDOW ASSY,TRANSIT,HEHR,56,T-SLD,RH,	
	0045130		WINDOW ASSY,TRANSIT,HEHR,70,T-SLD,LH,	
	0045131		WINDOW ASSY,TRANSIT,HEHR,70,T-SLD,RH,	
			WINDOW ASSY, TRANSIT, T-SLIDER, HEHR,	
	0045133		WINDOW ASSY,TRNST,HEHR,56,T-SLD,EE,LH,	
	0045135		WINDOW ASSY,TRNST,HEHR,56,T-SLD,EE,RH,	
	0045136		WINDOW ASSY,TRNST,HEHR,63,T-SLD,EE,LH,	
	0045137		WINDOW ASSY,TRNST,HEHR,63,T-SLD,EE,RH,	
	0045138		WINDOW ASSY,TRNST,HEHR,70,T-SLD,EE,LH,	
	0045139		WINDOW ASSY,TRNST,HEHR,70,T-SLD,EE,RH,	

Models: C4RE
With: WINDSHIELD AND DESTINATION SIGN
 STANDARD

Key	PartNumber	Qty	Description	Comment
	0013728		GLASS,WINDSHIELD,RIGHT HAND,C4RE	
	0013729		GLASS,WINDSHIELD,LEFT HAND,C4RE	
	0014444		RUBBER,WINDSHIELD SEAL, C4RE"	
	0054268	2	GLASS,FRT DESTINATION,TRANSIGN, C4RE	
	0038456		GLASS,CLEAR,FRONT DESTINATION SIGN, C4RE	
	0042245		RUBBER,GLASS,FRONT DESTINATION SIGN,	
	0049317		KIT,ROLLER SHADE,DRIVERS, C4RE	
	2000479		SCREW,6-20 X 1,AB,PH1,OVAL CNSK HD,YEL ZN	
	2194025		SCREW,8-18 X 3/4,AB,PH1,PAN HD,YEL ZN	