

Body

370 Heaters

AIR CONDITIONING

With: FEATURE 38102-08 WITH 30884-01 _____ 1

DUCTING

FOR 2910 WITH FRT & CTR DR
 _____ 2

FOR 2910 WITH FRT DOOR
 _____ 3

FOR 3505 WITH FRT & CTR DOOR
 _____ 4

FOR 3505 WITH FRT DOOR
 _____ 5

FOR 4000 WITH FRT & CTR DOOR
 _____ 6

FOR 4000 WITH FRT DOOR
 _____ 7

INSTALLATION RR, RM35 A/C
 _____ 8

AUXILIARY

WEBASTO

HEATER INSTALLATION

With: OPTION 1345-02 _____ 9

CONVECTION HEATING

KITS

With: FEATURE 30059 _____ 10

TYPE 1

With: FEATURE 30059 _____ 11

TYPE 10

With: FEATURE 30059 _____ 12

TYPE 11

With: FEATURE 30059 _____ 13

TYPE 12

With: FEATURE 30059 _____ 14

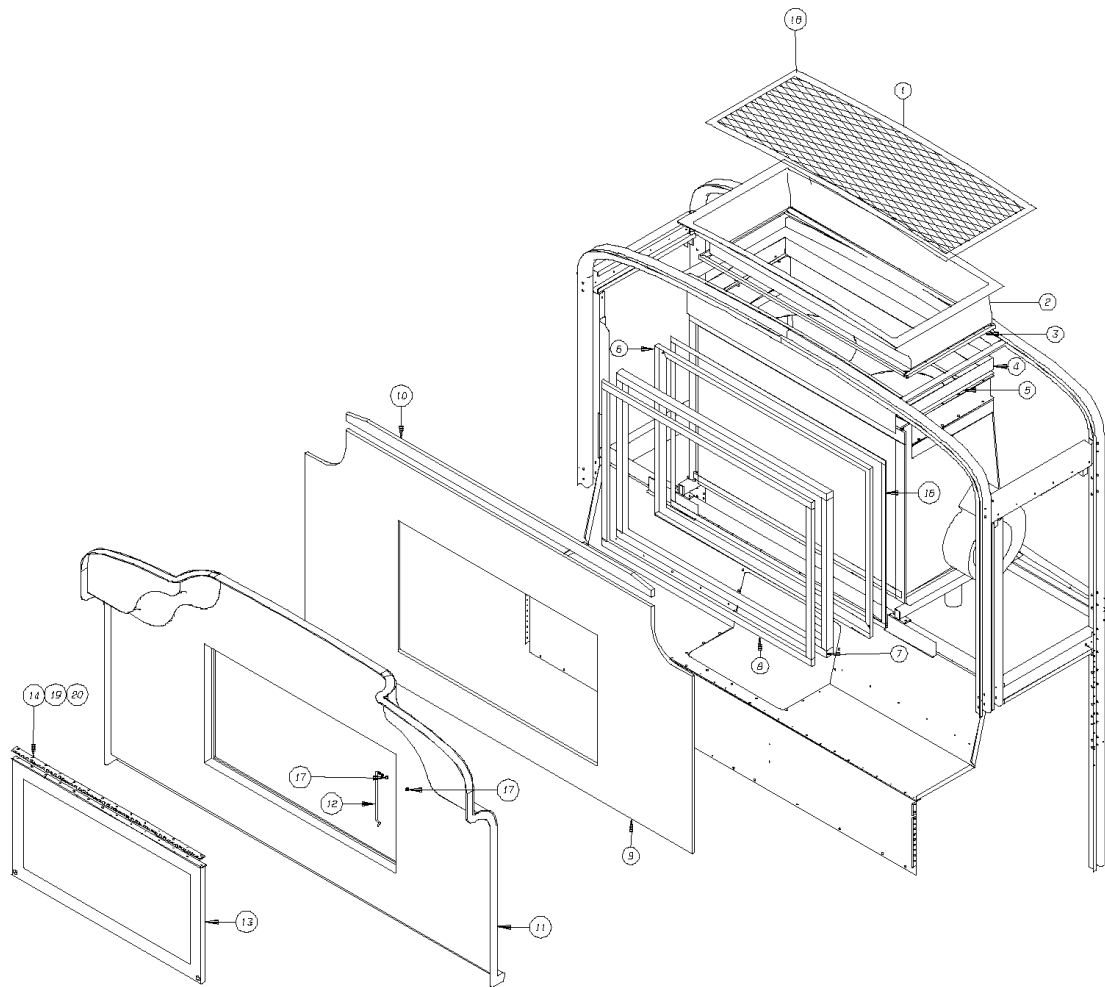
TYPE 13		
	<i>With: FEATURE 30059</i>	
		15
TYPE 14		
	<i>With: FEATURE 30059</i>	
		16
TYPE 15		
	<i>With: FEATURE 30059</i>	
		17
TYPE 16		
	<i>With: FEATURE 30059</i>	
		18
TYPE 17		
	<i>With: FEATURE 30059</i>	
		19
TYPE 2		
	<i>With: FEATURE 30059</i>	
		20
TYPE 3		
	<i>With: FEATURE 30059</i>	
		21
TYPE 4		
	<i>With: FEATURE 30059</i>	
		22
TYPE 5		
	<i>With: FEATURE 30059</i>	
		23
TYPE 6		
	<i>With: FEATURE 30059</i>	
		24
TYPE 7		
	<i>With: FEATURE 30059</i>	
		25
TYPE 8		
	<i>With: FEATURE 30059</i>	
		26
TYPE 9		
	<i>With: FEATURE 30059</i>	
		27
DRIVER'S HEATER		
	<i>From BSN 182348</i>	
		28
FRONT HEATER		
HEATER ASSY		
COMPLETE ASSEMBLY		
		29

	30
HEATER CONTROL SWITCH PANEL WIRING AND SWITCHES	
	31
WATER VALVE ACTUATOR	
	32
HEATER INSTALLATION	
	33
HEATER PIPING	
	34
CNG	
	35
UNDERSEAT HEATER 50,000 BTU FLOOR MOUNTED	
<i>With: OPTION 1325, 1328, 1330, 1332, WITH 1348-01, 30060, 6127, 6147</i>	36
<i>With: FEATURE 30060</i>	37
	38
HEATER OPTION/USAGE	
	39
	40
	41
	42
	43
	44
	45
UNDERSEAT HEATER BERGSTROM 50,000 BTU FLOOR MOUNTED, LH	
	46
SEAT MOUNTED RH	
	47
SEAT MOUNTED, LH	
	48

80,000 BTU	
FLOOR MOUNTED, LH	
_____	49
FLOOR MOUNTED, LH, KENTUCKY	
_____	50
SEAT MOUNTED LH	
_____	51
SEAT MOUNTED RH	
_____	52
SEAT MOUNTED, LH, KENTUCKY	
_____	53

Models: C4RE
AIR CONDITIONING
With: FEATURE 38102-08 WITH 30884-01

Key	PartNumber	Qty	Description	Comment
-----	------------	-----	-------------	---------




Models: C4RE
With: AIR CONDITIONING
 FEATURE 38102-08 WITH 30884-01

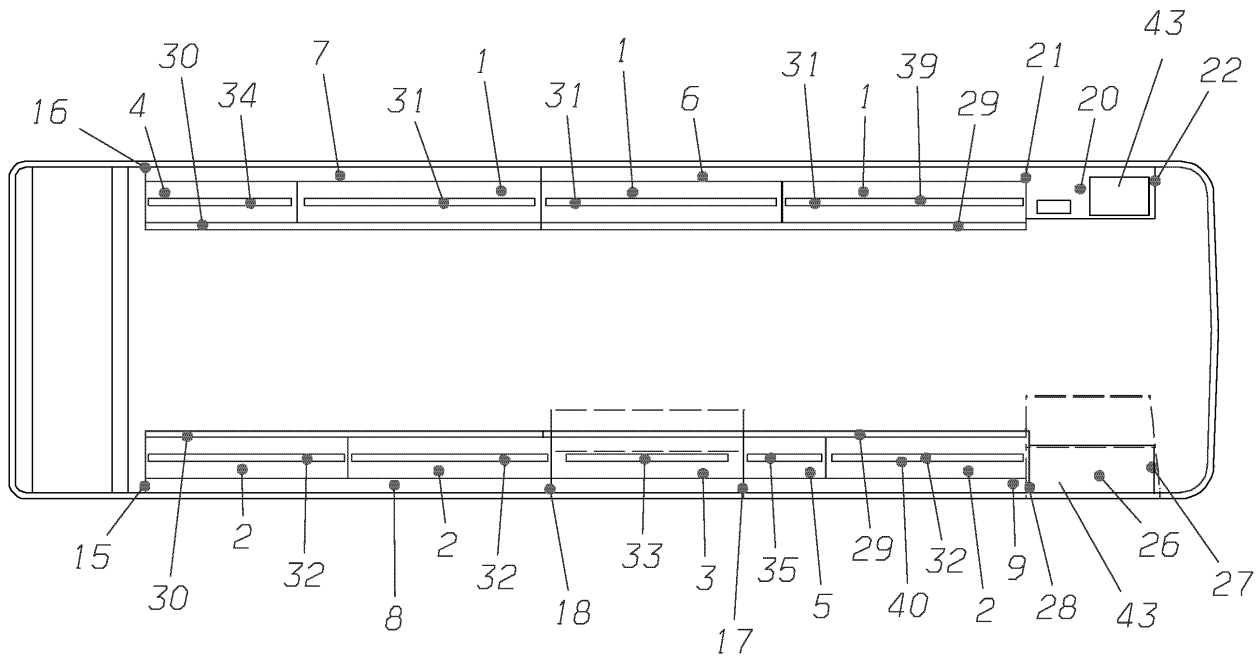
Key	PartNumber	Qty	Description	Comment
1	0042804		GRILLE,OUTSIDE,RETURN AIR,CARRIER RM35	
2	0038430		SHROUD,UPPER,CARRIER RM35 AIR CNDTNR,	
3	1829704	13	SEAL,RUBBER,CLEAN SEAL G-7056	
4	1936442	2	ADAPTOR,SHROUD,UPPER,TK T2 AC, QB/CS	
5	0621953	8	TAPE,FOAM,1/8X3/4X50FT,CLSD.CELL NEOP.	
6	0042963	2	SEAL,FLANGE,CARRIER RM35 AIR CNDTNR,	
7	1490630	5	FOAM,ADHESIVE BACK,CLOSE	
8	1490622	3	FOAM,ADHESIVE BACK,CLOSE	
9	0042189		PLYWOOD,REAR BULKHEAD WALL,WITH A/C,	
10	0037951		PLYWOOD,UPPER,REAR BULKHEAD WALL, C4RE	
11	0037950		PANEL,BULKHEAD,REAR,RM 35 AIR CONDTNR,	
12	0043598		ROD,PROP,GRILLE,CARRIER RETURN AIR, C4RE	
13	0042100		GRILLE,RETURN AIR,CARRIER RM35, C4RE	
14	0046600		HINGE,STAINLESS,.120 PIN X 2.50 OPEN,46.50	
15	1143676	30	SCREW,10-16 X 3/4, AB,PH1,PAN HD,BLK ZN,	
16	1818012	AR	TAPE,ADHESIVE,VHB 4955,1.00W X.08THK X	
17	1435015	2	NUT,HEX HD,5/16-18,FLANGED,YELLOW	
18	1143684	12	SCREW,1/4-14 X 1,AB,PH1,PAN HD,BLK ZN,SST	
19	1541176	28	SCREW,MACH 1/4-20 X 3/4,PH1,TRUSSHD,	
20	2001345	28	NUT,HEX HD,1/4-20,LOCKING,YELLOW	

Models: C4RE
**AIR CONDITIONING
 DUCTING
 FOR 2910 WITH FRT & CTR DR**

Key	PartNumber	Qty	Description	Comment
-----	------------	-----	-------------	---------

DR. 01/28/02 BY TFM	00458091	B	
APP. BY FRT	REV		

© BLUE BIRD BODY COMPANY. ALL RIGHTS RESERVED



Models: C4RE
**AIR CONDITIONING
 DUCTING
 FOR 2910 WITH FRT & CTR DR**

Key	PartNumber	Qty	Description	Comment
	0041277		KIT,DUCT,A/C, W/FRT & CTR DR, 2910C4RE	CONSISTS OF THE FOLLOWING
1			72.125 IN LIGHT PANEL	BB130001
2	0086796		PANEL,LIGHT,60.125"	BB130003
3			56.312 IN DOOR PANEL	BB130010
4			44.625 IN LIGHT PANEL	BB130005
5			24.375IN LIGHT/DUMP VALVE	
6			144.25 IN DUCT PANEL	BB130014
7			116.75 IN DUCT PANEL	BB130017
8			120.25 IN DUCT PANEL	BB130015
9			84.50 IN DUCT PANEL	BB130022
NI			DIVISION BAR LIGHT PANEL	BB130041
NI			DIVISION BAR DUCT PANEL	BB130041
NI			DIVISION BAR DOOR PANEL	BB130042
NI			FOAMTAPE	TAP-004-00
NI			COUPLERS	B130050
15			ENDCAP NO 82-EA	C/S REAR
16			ENDCAP NO 82-EA	R/S REAR
17			ENDCAP NO 83-EA LH	DOOR TRANSITION
18			ENDCAP NO 83-EA RH	DOOR TRANSITION
	0041379		KIT,DUCT,A/C,DRIVER W/BOX & ODK CUTOUT,	CONSISTS OF THE FOLLOWING
19			DRIVERS BOX ASSEMBLY	
21			ENDCAP NO 84-EA LH, DUCT TO DRIVER PANEL	ABS-084-01
22			ENDCAP NO 85-EA LH, DRIVERS PANEL	ABS-085-01

Models: C4RE
**AIR CONDITIONING
 DUCTING
 FOR 2910 WITH FRT & CTR DR**


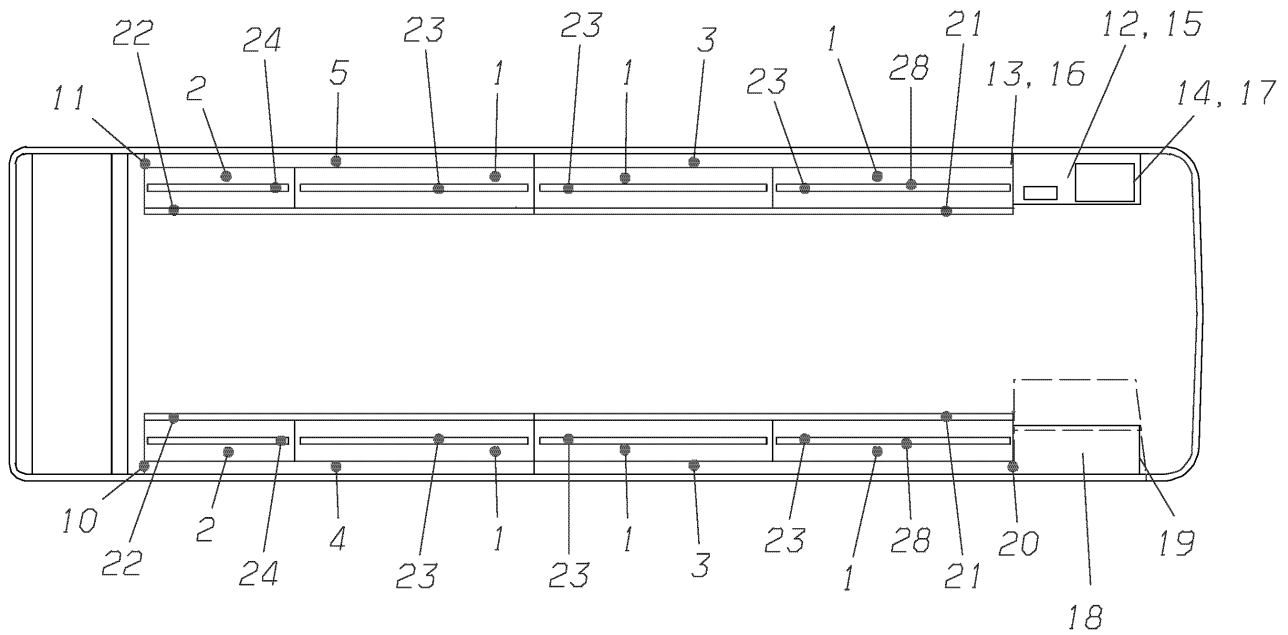
Key	PartNumber	Qty	Description	Comment
	0041380		KIT,DUCT,A/C,DRIVER W/BOX,W/O ODK C/O,	CONSISTS OF THE FOLLOWING
23			DRIVERS BOX ASSEMBLY	BB220002
24			ENDCAP NO 84-EA LH	DUCT TO DRIVER PANEL
25			ENDCAP NO 85-EA LH	DRIVER PANEL
	0046049		KIT,DUCT,A/C,ENTRANCE DOOR W/STOR BOX,	CONSISTS OF THE FOLLOWING
26			FRONT DOOR BOX ASSEMBLY	BB220003
27			ENDCAP NO 84 DOOR BOX C/S	ABS-084-02
28			ENDCAP NO 85 DOOR BOX C/S	ABS-085-02
29	0045807	2	COVER,FLUORESCENT LIGHT,144",C4RE	
30	0045820	2	COVER,FLUORESCENT LIGHT,116",C4RE	
31	0045812	3	LIGHT,FLUORESCENT,6',C4RE	
32	0045813	3	LIGHT,FLUORESCENT,5',C4RE	
33	0045814		LIGHT,FLUORESCENT,4',C4RE	
34	0045815		LIGHT,FLUORESCENT,3',C4RE	
35	0045816		LIGHT,FLUORESCENT,2',C4RE	
36	0045817	25	SPACER,DUCT, A/C, C4RE	
37	0041357	25	SCREW,10-16X1-1/4,AB,PH1,PAN HD,YELZN,	
38	1422948	25	SCREW,1/4-20 X 1-1/4,D,HEX HD,YEL ZN DICH	
39	0046055		LIGHT, BLUE SLEEVE, 6',C4RE"	
40	0046054		LIGHT,BLUE SLEEVE,5',C4RE"	
41	0051384	18	BRACKET,HANGER,A/C DUCTING, C4RE	
NI	1143676	36	SCREW,10-16 X 3/4, AB,PH1,PAN HD,BLK ZN,	
43	0052329	2	BRACKET,MOUNTING,GLOVE BOX, C4RE	

Models: C4RE
**AIR CONDITIONING
 DUCTING
 FOR 2910 WITH FRT DOOR**

Key	PartNumber	Qty	Description	Comment
-----	------------	-----	-------------	---------

DR. 01/28/02	BY TFM	00458092	--
APP.	BY	FRT	REV

© BLUE BIRD BODY COMPANY, ALL RIGHTS RESERVED

Models: C4RE
**AIR CONDITIONING
 DUCTING
 FOR 2910 WITH FRT DOOR**

Key	PartNumber	Qty	Description	Comment
	0041284		KIT,DUCT,A/C, W/FRT DOOR, 2910C4RE	<i>CONSISTS OF THE FOLLOWING</i>
1			72.125 IN LIGHT PANEL	<i>BB130005</i>
2			44.625 IN LIGHT PANEL	<i>BB130005</i>
3			144.25 IN DUCT PANEL	<i>BB130013</i>
4			116.75 IN DUCT PANEL C/S	<i>BB130019</i>
5			116.75 IN DUCT PANEL R/S	<i>BB130020</i>
NI			DIVISION BAR LIGHT PANEL	<i>BB130040</i>
NI			DIVISION BAR DUCT PANEL	<i>BB130041</i>
NI			FOAMTAPE	<i>TAP-004-02</i>
NI			COUPLERS	<i>BB130050</i>
10	0083766		CAP,DUCT,END,CURBSIDE,REAR,C4RE"	<i>ABS-082-01</i>
11	0086775		CAP,DUCT,END,ROADSIDE,REAR,C4RE	<i>ABS-082-02</i>
	0041379		KIT,DUCT,A/C,DRIVER W/BOX & ODK CUTOUT,	<i>CONSISTS OF THE FOLLOWING</i>
12			DRIVERS BOX ASSEMBLY	
13			ENDCAP NO 84-EA LH	<i>DUCT TO DRIVER PANEL</i>
14			ENDCAP NO 85-EA LH	<i>DRIVER PANEL</i>
	0041380		KIT,DUCT,A/C,DRIVER W/BOX,W/O ODK C/O,	<i>CONSISTS OF THE FOLLOWING</i>
15			DRIVERS BOX ASSEMBLY	<i>BB220002</i>
16			ENDCAP NO 84-EA LH, DUCT TO DRIVER PANEL	<i>ABS-084-01</i>
17			ENDCAP NO 85-EA LH, DRIVER PANEL	<i>ABS-085-01</i>
	0046049		KIT,DUCT,A/C,ENTRANCE DOOR W/STOR BOX,	<i>CONSISTS OF THE FOLLOWING</i>
18			FRONT DOOR BOX ASSEMBLY	<i>BB220003</i>
19			ENDCAP NO 84-EA DOOR BOX C/S	<i>ABS-084-02</i>

Models: C4RE
**AIR CONDITIONING
 DUCTING
 FOR 2910 WITH FRT DOOR**


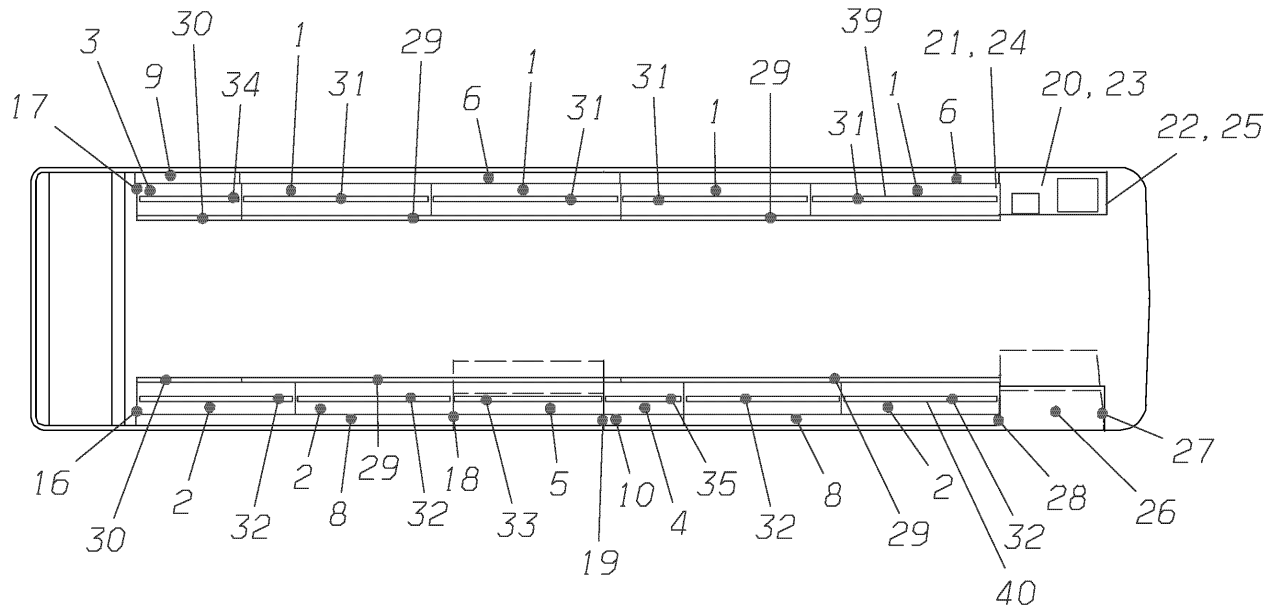
Key	PartNumber	Qty	Description	Comment
20			ENDCAP NO 85-EA DOOR BOX C/S	ABS-085-02
21	0045807	2	COVER,FLUORESCENT LIGHT,144",C4RE	
22	0045820	2	COVER,FLUORESCENT LIGHT,116",C4RE	
23	0045812	6	LIGHT,FLUORESCENT,6',C4RE	
24	0045815	2	LIGHT,FLUORESCENT,3',C4RE	
25	0045817	22	SPACER,DUCT, A/C, C4RE	PLA-004-01
26	0041357	22	SCREW,10-16X1-1/4,AB,PH1,PAN HD,YELZN,	
27	1422948	22	SCREW,1/4-20 X 1-1/4,D,HEX HD,YEL ZN DICH	
28	0046055	2	LIGHT, BLUE SLEEVE, 6',C4RE"	
29	0051384	18	BRACKET,HANGER,A/C DUCTING, C4RE	
NI	1143676	36	SCREW,10-16 X 3/4, AB,PH1,PAN HD,BLK ZN,	
NI	0052329	2	BRACKET,MOUNTING,GLOVE BOX, C4RE	

Models: C4RE
**AIR CONDITIONING
 DUCTING
 FOR 3505 WITH FRT & CTR DOOR**

Key	PartNumber	Qty	Description	Comment
-----	------------	-----	-------------	---------

DR. 01/28/02 BY TFM				
APP.	BY	FRT	00458081	A REV

© BLUE BIRD BODY COMPANY, ALL RIGHTS RESERVED

Models: C4RE
**AIR CONDITIONING
 DUCTING
 FOR 3505 WITH FRT & CTR DOOR**

Key	PartNumber	Qty	Description	Comment
	0041279		KIT,DUCT,A/C, W/FRT & CTR DOOR, 3505C4RE	CONSISTS OF THE FOLLOWING
1			72.125 IN LIGHT PANEL	BB130001
2	0086796		PANEL,LIGHT,60.125"	BB130003
3			39.50 IN LIGHT PANEL-ROAD SIDE	BB130006
4			31.187 IN LIGHT/DUMP VALVE	BB130008
5			56.312 IN DOOR PANEL	BB130010
6			144.25 IN DUCT PANEL	BB130013
7			120.25 IN DUCT PANEL	BB130015
8			120.25 IN DUCT PANEL C/S	BB130016
9			39.50 IN DUCT PANEL R/S	BB130018
10			31.187 IN DUCT PANEL	BB130025
NI			DIVISION BAR LIGHT PANEL	BB130040
NI			DIVISION BAR DUCT PANEL	BB130041
NI			DIVISION BAR DOOR PANEL	BB130042
NI			FOAM TAPE	TAP-0040-002
NI			COUPLERS	BB130050
16	0083766		CAP,DUCT,END,CURBSIDE,REAR,C4RE"	ABS-082-01
17	0086775		CAP,DUCT,END,ROADSIDE,REAR,C4RE	. ABS-082-02
18			ENDCAP NO 83-EA LH, DOOR TRANSITION	ABS-083-01
19			ENDCAP NO 83-EA RH, DOOR TRANSITION	ABS-083-02
	0041379		KIT,DUCT,A/C,DRIVER W/BOX & ODK CUTOUT,	CONSISTS OF THE FOLLOWING
20			DRIVERS BOX ASSEMBLY	BB220001
21			ENDCAP NO 84-EA LH, DUCT TO DRIVER PANEL	ABS-084-01

Models: C4RE
**AIR CONDITIONING
 DUCTING
 FOR 3505 WITH FRT & CTR DOOR**


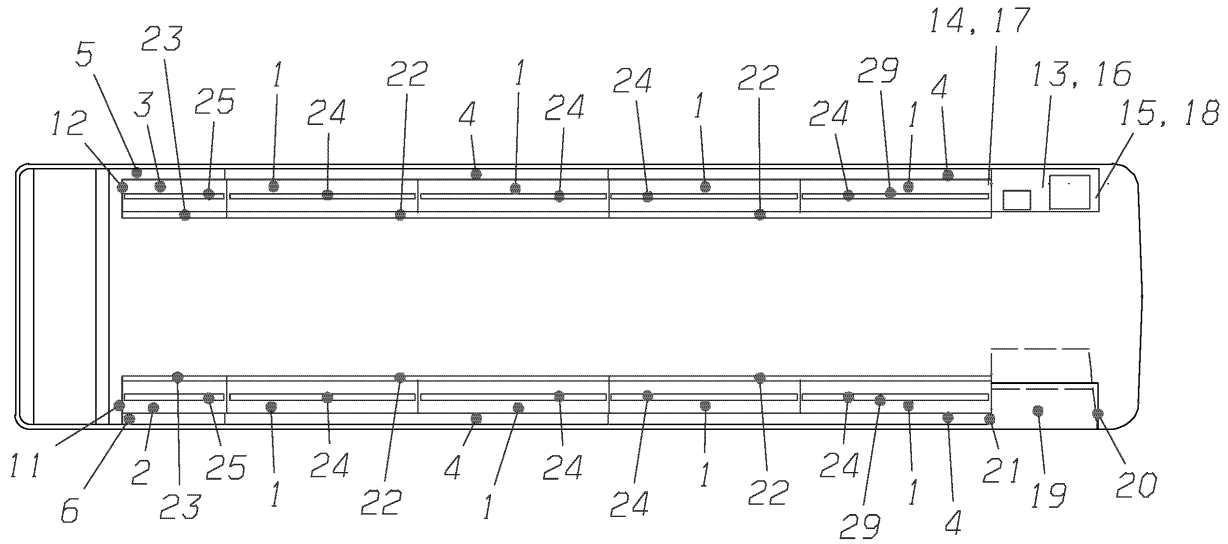
Key	PartNumber	Qty	Description	Comment
22			ENDCAP NO 85-EA LH , DRIVER PANEL	ABS-085-01
	0041380		KIT,DUCT,A/C,DRIVER W/BOX,W/O ODK C/O,	CONSISTS OF THE FOLLOWING
23			DRIVERS BOX ASSEMBLY	BB220002
24			ENDCAP NO 84-EA LH, DUCT TO DRIVER PANEL	ABS-084-01
25			ENDCAP NO 85-EA LH, DRIVER PANEL	ABS-085-01
	0046049		KIT,DUCT,A/C,ENTRANCE DOOR W/STOR BOX,	CONSISTS OF THE FOLLOWING
26			FRONT DOOR BOX ASSEMBLY	BB220003
27			ENDCAP NO 84-EA DOOR BOX C/S	ABS-084-02
28			ENDCAP NO 85-EA DOOR BOX C/S	ABS-085-02
29	0045807	4	COVER,FLUORESCENT LIGHT,144",C4RE	BB130030
30	0045821	2	COVER,FLUORESCENT LIGHT,40", C4RE	BB130032
31	0045812	4	LIGHT,FLUORESCENT,6',C4RE	F72T12CW
32	0045813	4	LIGHT,FLUORESCENT,5',C4RE	F60T12CW
33	0045814		LIGHT,FLUORESCENT,4',C4RE	F48T12CW
34	0045815		LIGHT,FLUORESCENT,3',C4RE	F36T12CS
35	0045816		LIGHT,FLUORESCENT,2',C4RE	F24T12CW
36	0045817	31	SPACER,DUCT, A/C, C4RE	PLA-004-01
37	0041357	31	SCREW,10-16X1-1/4,AB,PH1,PAN HD,YELZN,	
38	1422948	31	SCREW,1/4-20 X 1-1/4,D,HEX HD,YEL ZN DICH	
39	0046055		LIGHT, BLUE SLEEVE, 6',C4RE"	PLA-020-02
40	0046054		LIGHT,BLUE SLEEVE,5',C4RE"	PLA-020-01
NI	0051384	22	BRACKET,HANGER,A/C DUCTING, C4RE	
NI	1143676	44	SCREW,10-16 X 3/4, AB,PH1,PAN HD,BLK ZN,	

Models: C4RE
**AIR CONDITIONING
 DUCTING
 FOR 3505 WITH FRT DOOR**

Key	PartNumber	Qty	Description	Comment
-----	------------	-----	-------------	---------

DR. 01/28/02	BY TFM			
APP.	BY	FRT	00458082	--
				REV

© BLUE BIRD BODY COMPANY. ALL RIGHTS RESERVED

Models: C4RE
**AIR CONDITIONING
 DUCTING
 FOR 3505 WITH FRT DOOR**

Key	PartNumber	Qty	Description	Comment
	0041285		KIT,DUCT,A/C, W/FRT DOOR, 3505C4RE	CONSISTS OF THE FOLLOWING
1			72.125 IN LIGHT PANEL	BB130001
2			39.50 IN LIGHT PANEL C/S	BB130012
3			39.50 IN LIGHT PANEL R/S	BB130006
4			144.25 IN DUCT PANEL	BB130013
5			39.50 IN DUCT PANEL R/S	BB130018
6			39.50 IN DUCT PANEL C/S	BB130024
NI			DIVISION BAR LIGHT PANEL	BB130040
NI			DIVISION BAR DUCT PANEL	BB130041
NI			FOAMTAPE	TAP-004-02
NI			COUPLERS	BB130050
11	0083766		CAP,DUCT,END,CURBSIDE,REAR,C4RE"	ABS-082-01
12	0086775		CAP,DUCT,END,ROADSIDE,REAR,C4RE	ABS-082-02
	0041379		KIT,DUCT,A/C,DRIVER W/BOX & ODK CUTOUT,	
13			DRIVERS BOX ASSEMBLY	BB220001
14			ENDCAP NO 84-EA LH, DUCT TO DRIVER PANEL	ABS-084-01
15			ENDCAP NO 85-EA LH, DRIVER PANEL	ABS -085-01
	0041380		KIT,DUCT,A/C,DRIVER W/BOX,W/O ODK C/O,	CONSISTS OF THE FOLLOWING
16			DRIVERS BOX ASSEMBLY	BB220002
17			ENDCAP NO 84-ES LH, DUCT TO DRIVER PANEL	ABS-084-01
18			ENDCAP NO 85-EA LH, DRIVER PANEL	ABS-085-01
	0046049		KIT,DUCT,A/C,ENTRANCE DOOR W/STOR BOX,	CONSISTS OF THE FOLLOWING
19			FRONT DOOR BOX ASSEMBLY	BB22003

**Models: C4RE
AIR CONDITIONING
DUCTING
FOR 3505 WITH FRT DOOR**


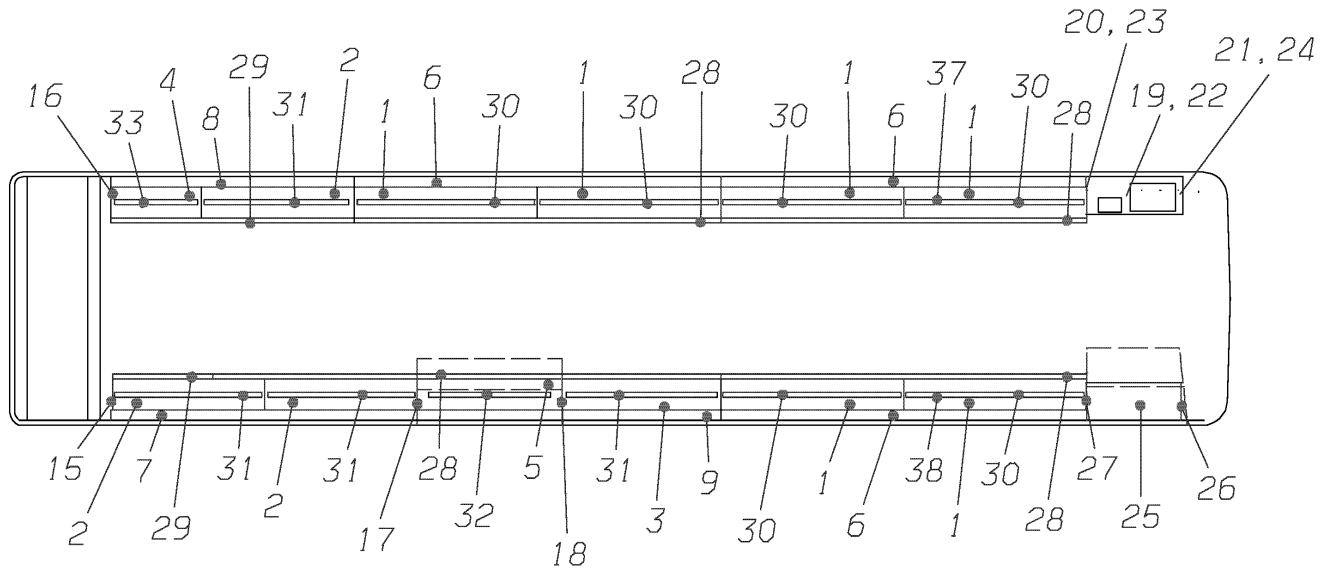
Key	PartNumber	Qty	Description	Comment
20			ENDCAP NO 84-EA DOOR BOX C/S	ABS-084-02
21			ENDCAP NO 85-EA DOOR BOX C/S	ABS-085-02
22	0045807	4	COVER,FLUORESCENT LIGHT,144",C4RE	BB130030
23	0045821	2	COVER,FLUORESCENT LIGHT,40", C4RE	BB130032
24	0045812	8	LIGHT,FLUORESCENT,6',C4RE	F72T12CW
25	0045815	2	LIGHT,FLUORESCENT,3',C4RE	F36T12CW
26	0045817	28	SPACER,DUCT, A/C, C4RE	PLA-004-01
27	0041357	28	SCREW,10-16X1-1/4,AB,PH1,PAN HD,YELZN,	
28	1422948	28	SCREW,1/4-20 X 1-1/4,D,HEX HD,YEL ZN DICH	
29	0046055	2	LIGHT, BLUE SLEEVE, 6',C4RE"	FLA-020-02
NI	0051384	22	BRACKET,HANGER,A/C DUCTING, C4RE	
NI	1143676	44	SCREW,10-16 X 3/4, AB,PH1,PAN HD,BLK ZN,	

Models: C4RE
**AIR CONDITIONING
 DUCTING
 FOR 4000 WITH FRT & CTR DOOR**

Key	PartNumber	Qty	Description	Comment
-----	------------	-----	-------------	---------

DR. 01/28/02	BY TFM			
APP.	BY	FRT	00458181	REV

© BLUE BIRD BODY COMPANY. ALL RIGHTS RESERVED

Models: C4RE
**AIR CONDITIONING
 DUCTING
 FOR 4000 WITH FRT & CTR DOOR**


Key	PartNumber	Qty	Description	Comment
	0041281		KIT,DUCT,A/C,W/FRT & CTR DR,, 4001C4RE	CONSISTS OF THE FOLLOWING
1			72.125 IN LIGHT PANEL	BB130001
2	0086796		PANEL,LIGHT,60.125"	BB130003
3			63.125 IN LIGHT/DUMP VALVE	BB130002
4			35.25 IN LIGHT PANEL R/S	BB130007
5			56.312 IN DOOR PANEL	BB130010
6			144.25 IN DUCT PANEL	BB130013
7			120.25 IN DUCT PANEL C/S	BB130016
8			95.375 IN DUCT PANEL R/S	BB130021
9			63.165 IN DUCT PANEL	BB130023
NI			DIVISION BAR LIGHT PANEL	BB130040
NI			DIVISION BAR DUCT PANEL	BB130041
NI			DIVISION BAR DOOR PANEL	BB130042
NI			FOAMTAPE	TAP-004-02
NI			COUPLERS	BB130050
15	0083766		CAP,DUCT,END,CURBSIDE,REAR,C4RE"	ABS-082-01
16	0086775		CAP,DUCT,END,ROADSIDE,REAR,C4RE	ABS-082-02
17			ENDCAP NO 83-EA LH, DOOR TRANSITION	ABS-083-01
18			ENDCAP NO 83-EA RH, DOOR TRANSITION	ABS-083-02
	0041379		KIT,DUCT,A/C,DRIVER W/BOX & ODK CUTOUT,	CONSISTS OF THE FOLLOWING
19			DRIVERS BOX ASSEMBLY	BB220001
20			ENDCAP NO 84-EA LH, DUCT TO DRIVER PANEL	ABS-084-01
21			ENDCAP NO 85-EA LH, DRIVER PANEL	ABS-085-01

Models: C4RE
**AIR CONDITIONING
 DUCTING
 FOR 4000 WITH FRT & CTR DOOR**

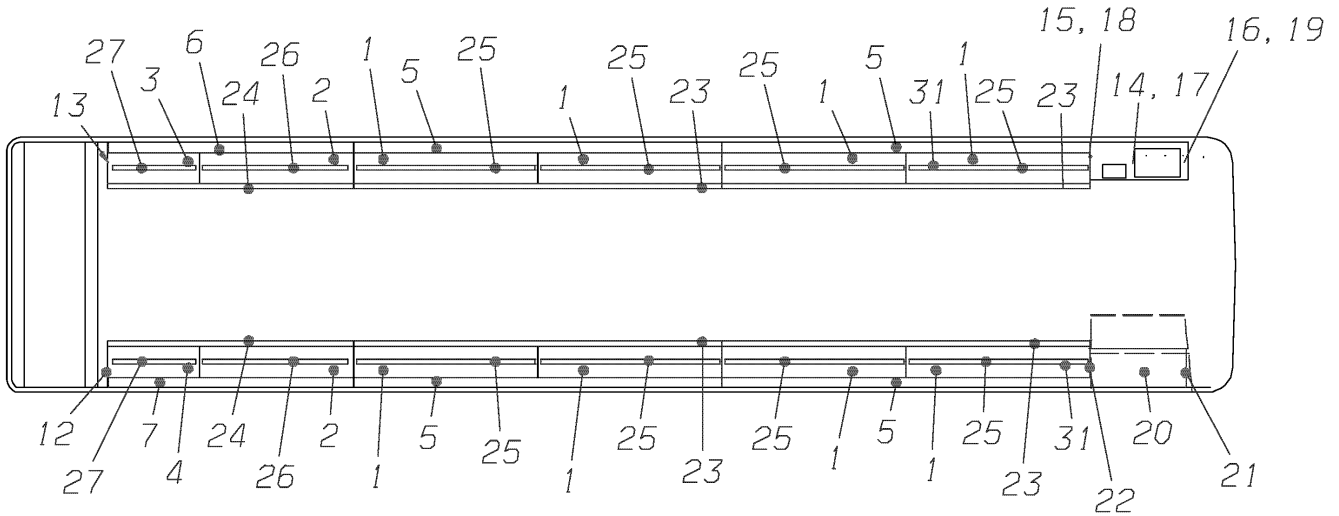
Key	PartNumber	Qty	Description	Comment
	0041380		KIT,DUCT,A/C,DRIVER W/BOX,W/O ODK C/O,	CONSISTS OF THE FOLLOWING
22			DRIVERS BOX ASSEMBLY	BB220002
23			ENDCAP NO 84-EA LH, DUCT TO DRIVER PANEL	ABS-084-01
24			ENDCAP NO 85-EA LH, DRIVER PANEL	ABS-085-01
	0046049		KIT,DUCT,A/C,ENTRANCE DOOR W/STOR BOX,	
25			FRONT DOOR BOX ASSEMBLY	BB220003
26			ENDCAP NO 84-EA DOOR BOX C/S	ABS-084-02
27			ENDCAP NO 85-EA DOOR BOX C/S	ABS-085-02
28	0045807	4	COVER,FLUORESCENT LIGHT,144",C4RE	. BB130030
29	0045822	2	COVER,FLUORESCENT LIGHT,96", C4RE	BB130032
30	0045812	6	LIGHT,FLUORESCENT,6',C4RE	F72T12CW
31	0045813	4	LIGHT,FLUORESCENT,5',C4RE	F60T12CS
32	0045814		LIGHT,FLUORESCENT,4',C4RE	F48T12CS
33	0045816		LIGHT,FLUORESCENT,2',C4RE	F24T12CW
34	0045817	35	SPACER,DUCT, A/C, C4RE	PLA-004-01
35	0041357	35	SCREW,10-16X1-1/4,AB,PH1,PAN HD,YELZN,	
36	1422948	35	SCREW,1/4-20 X 1-1/4,D,HEX HD,YEL ZN DICH	
37	0046055		LIGHT, BLUE SLEEVE, 6',C4RE"	
38	0046054		LIGHT,BLUE SLEEVE,5',C4RE"	
NI	0051384	27	BRACKET,HANGER,A/C DUCTING, C4RE	
NI	1143676	54	SCREW,10-16 X 3/4, AB,PH1,PAN HD,BLK ZN,	

Models: C4RE
**AIR CONDITIONING
 DUCTING
 FOR 4000 WITH FRT DOOR**

Key	PartNumber	Qty	Description	Comment
-----	------------	-----	-------------	---------

DR. 01/28/02 BY TFM	00456102	--	
APP. BY FRT	REV		

© BLUE BIRD BODY COMPANY. ALL RIGHTS RESERVED



Models: C4RE
**AIR CONDITIONING
 DUCTING
 FOR 4000 WITH FRT DOOR**

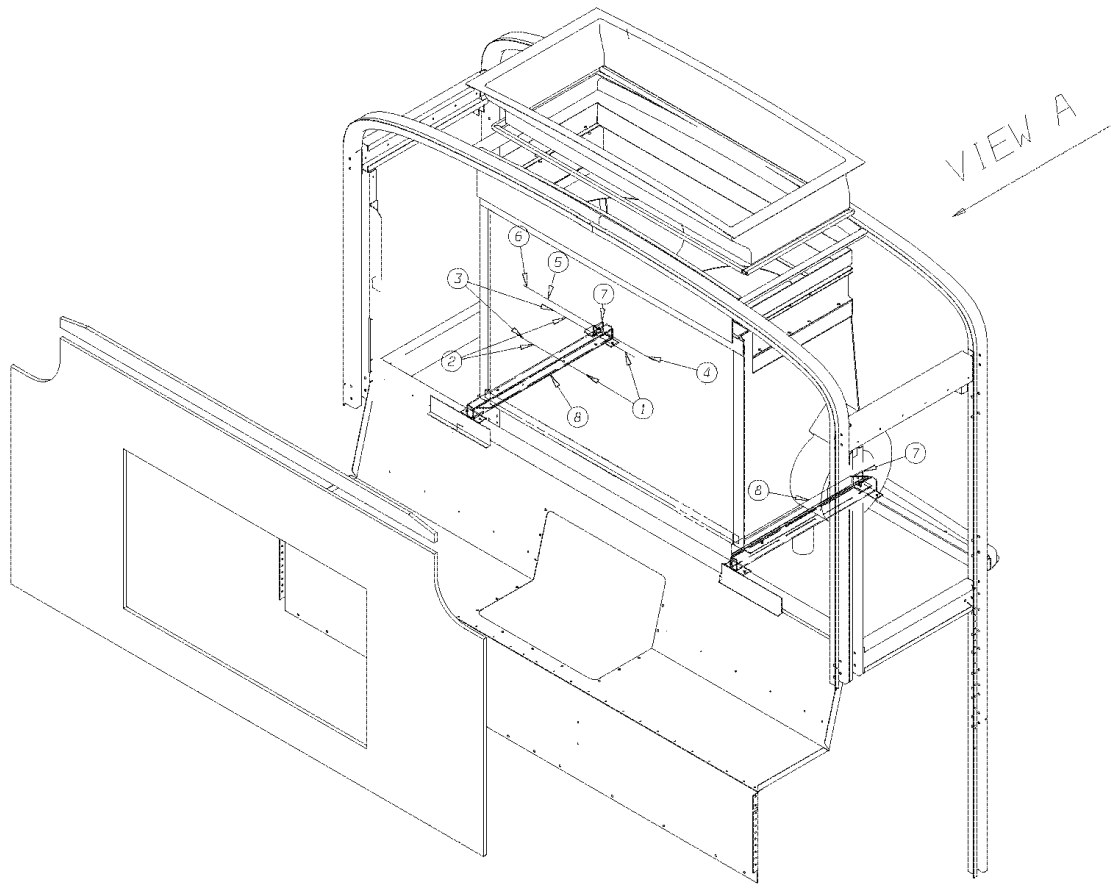
Key	PartNumber	Qty	Description	Comment
	0041286		KIT,DUCT,A/C, W/FRT DR, 4001C4RE	CONSISTS OF THE FOLLOWING
1			72.125 IN LIGHT PANEL	BB130001
2	0086796		PANEL,LIGHT,60.125"	BB130003
3			32.25 IN LIGHT PANEL R/S	BB130007
4			35.25 IN LIGHT PANEL C/S	BB130011
5			144.25 IN DUCT PANEL	BB130013
6			95.375 IN DUCT PANEL R/S	BB130021
7			95.375 IN DUCT PANEL C/S	BB130026
NI			DIVISION BAR LIGHT PANEL	BB130040
NI			DIVISION BAR DUCT PANEL	BB130041
NI			FOAMTAPE	TAP-004-02
NI			COUPLERS	BB130050
12	0083766		CAP,DUCT,END,CURBSIDE,REAR,C4RE"	ABS-082-01
13	0086775		CAP,DUCT,END,ROADSIDE,REAR,C4RE	ABS-082-02
	0041379		KIT,DUCT,A/C,DRIVER W/BOX & ODK CUTOUT,	CONSISTS OF THE FOLLOWING
14			DRIVERS BOX ASSEMBLY	BB220001
15			ENDCAP NO 84-EA LH, DUCT TO DRIVER PANEL	ABS-084-01)
16			ENDCAP NO 85-EA LH, DRIVER PANEL	ABS-085-01
	0041380		KIT,DUCT,A/C,DRIVER W/BOX,W/O ODK C/O,	CONSISTS OF THE FOLLOWING
17			DRIVERS BOX ASSEMBLY	BB220002
18			ENDCAP NO 84-ES LH, DUCT TO DRIVER PANEL	ABS-085-01
19			ENDCAP NO 85-EA LH, DRIVER PANEL	ABS-085-01
	0046049		KIT,DUCT,A/C,ENTRANCE DOOR W/STOR BOX,	

**Models: C4RE
AIR CONDITIONING
DUCTING
FOR 4000 WITH FRT DOOR**

Key	PartNumber	Qty	Description	Comment
20			FRONT DOOR BOX ASSEMBLY	<i>BB220003</i>
21			ENDCAP NO 84-EA DOOR BOX C/S	<i>ABS-084-02</i>
22			ENDCAP NO 85-EA DOOR BOX C/S	
23	0045807	4	COVER,FLUORESCENT LIGHT,144",C4RE	<i>BB130030</i>
24	0045822	2	COVER,FLUORESCENT LIGHT,96", C4RE	<i>BB130031</i>
25	0045812	8	LIGHT,FLUORESCENT,6',C4RE	<i>F72T12CW</i>
26	0045813	2	LIGHT,FLUORESCENT,5',C4RE	<i>F60T12CW</i>
27	0045816	2	LIGHT,FLUORESCENT,2',C4RE	<i>F24T12CS</i>
28	0045817	32	SPACER,DUCT, A/C, C4RE	<i>PLA-004-01</i>
29		32	SCREW, 10-16 X 1 1/4 LG, PAN HD	
30	1422948	32	SCREW,1/4-20 X 1-1/4,D,HEX HD,YEL ZN DICH	
31	0046055		LIGHT, BLUE SLEEVE, 6',C4RE"	<i>PLA-020-02</i>
NI	0051384	27	BRACKET,HANGER,A/C DUCTING, C4RE	
NI	1143676	54	SCREW,10-16 X 3/4, AB,PH1,PAN HD,BLK ZN,	

Models: C4RE
AIR CONDITIONING
INSTALLATION RR, RM35 A/C

Key	PartNumber	Qty	Description	Comment
-----	------------	-----	-------------	---------

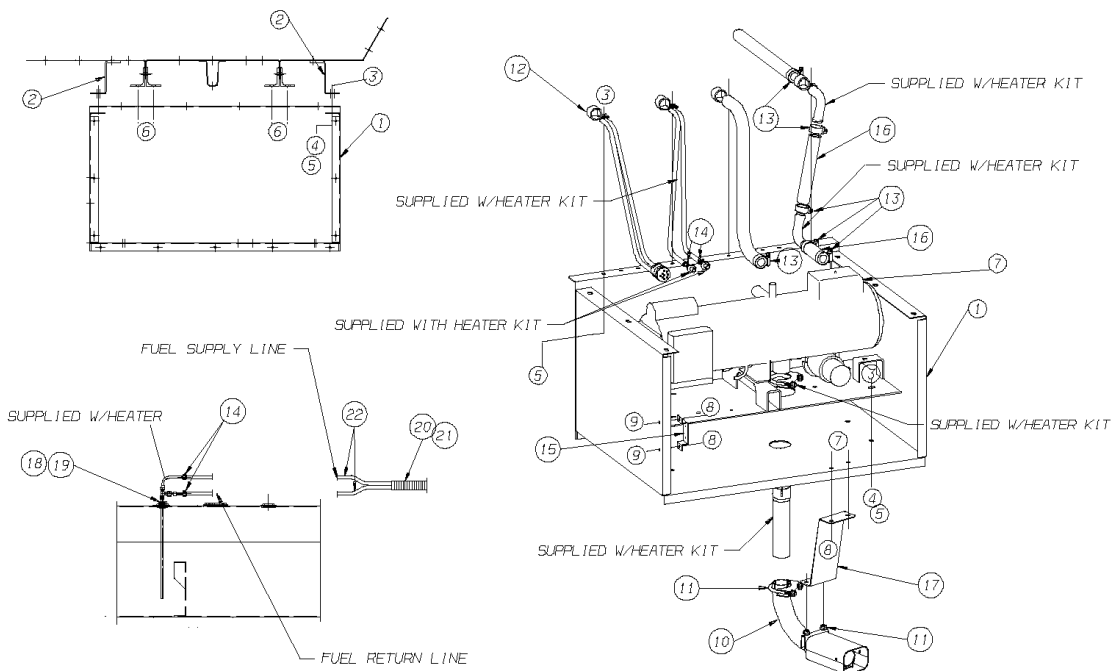


Models: C4RE
AIR CONDITIONING
INSTALLATION RR, RM35 A/C

Key	PartNumber	Qty	Description	Comment
1	1092337		CAPSCREW,HEX HD,1/4-20 X 2,GR 5,YEL ZN	
2	1991108		WASHER,FLAT,17/64 ID X 3/4,YELLOW ZINC	
3	1039262		NUT,HEX HD,1/4-20,LOCK,ZINC	
4	2028363		BOLT,HEX HD,3/8-16,1-1/4,GR 5,YEL ZN DICH	
5	1107085		WASHER,FLAT,13/32 X 13/16 X 3/32,HDN,BLK	
6	0826297		NUT,HEX HD,3/8-16 LOCK,YEL ZN DICH	
7	0096129		BRACKET,SUPPORT,A/C, C4	
8	0096121		ANGLE,SUPPORT,A/C, C4	

Models: C4RE
AUXILIARY
WEBASTO
HEATER INSTALLATION
With: OPTION 1345-02

Key	PartNumber	Qty	Description	Comment
-----	------------	-----	-------------	---------



Models: C4RE
AUXILIARY
WEBASTO
HEATER INSTALLATION
With: OPTION 1345-02

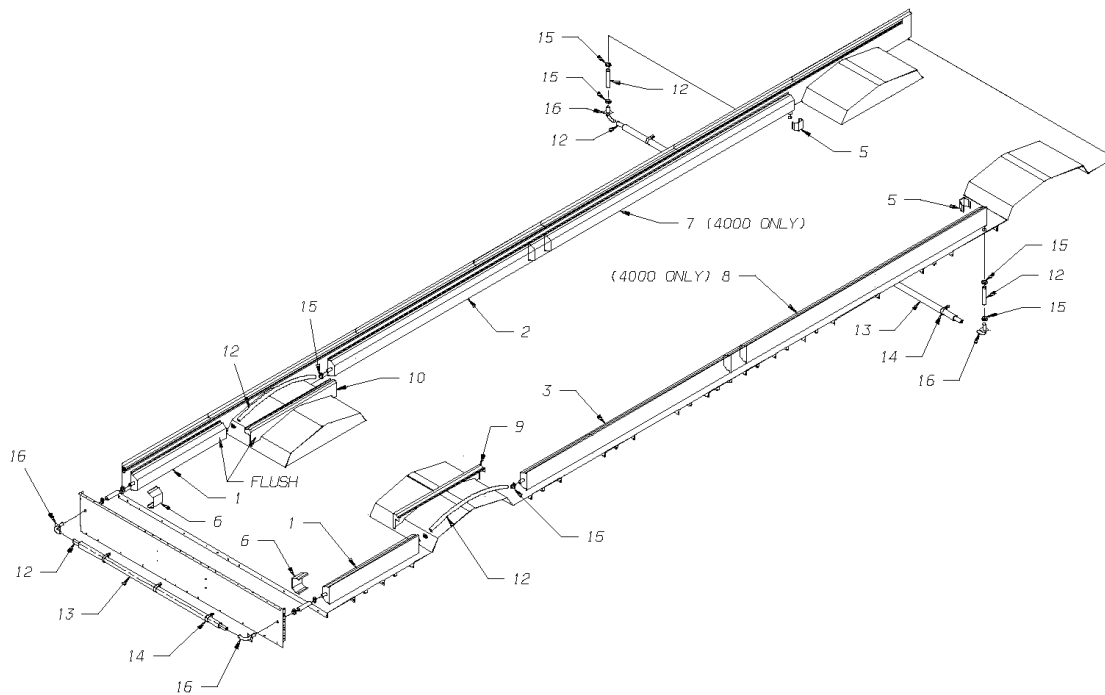
Key	PartNumber	Qty	Description	Comment
1	0055453		HOUSING ASSY,HEATER,WEBASTO, C4RE	
2	0055456	2	BRACKET,MTG,HOUSING,WEBASTO HEATER,	
3	0610725	10	CAPSCREW,HEX HD,5/16-18X1 1/4,GR8,	
4	2001048	10	WASHER,FLAT,11/32 X 11/16 X 1/16,YEL	
5	1465954	10	NUT,HEX HD,5/16-18,LK,NYLON INSERT,YEL	
6	2000073	4	SCREW,1/4-20 X 1,D,HEX HD,YEL ZN DICH	
7	0055457		KIT,HEATER,WEBASTO DBW 2010	<i>CONSISTS OF THE FOLLOWING</i>
			MANUAL, OPERATORS, HEATER WATER,	
			HEATER, WATER, AUXILIARY	
		2	FITTING, FUEL, BARBED	
			CLAMP, EXHAUST	
			STANDPIPE ASSY, FUEL, WEBASTO	
		2	ELBOW, HEATER HOSE, 90 DEG	
			EXTENSION, EXHAUST, WEBASTO HEATER	
			DECAL, "BEFORE FILLING UP, SWITCH OFF	
	0066139		ELECTRODE,IGNITION,WEBASTO 2010	
	0066140		VALVE,SOLENOID,WEBASTO 2010	
	0066141		CONTROL,THERMOSTAT,WEBASTO 2010`	
	0066142		VALVE,CONTROL,FUEL PRESSURE,WEBASTO	
	0066143		FUSE,HEATER,OVERHEAT,WEBASTO 2010	
	0066144		MOTOR,FAN,WEBASTO 2010	
8	2000057	2	CAPSCREW,HEX HD,1/4-20 X 1,GR 5,YEL ZN	
9	1339639	2	NUT,HEX HD,1/4-20,PRVLG TORQUE,FLG,YEL	

Models: C4RE
AUXILIARY
WEBASTO
HEATER INSTALLATION
With: OPTION 1345-02

Key	PartNumber	Qty	Description	Comment
10	0055458		TUBE ASSY,EXHAUST,WEBASTO HEATER, C4RE	
11	1616226	2	CLAMP,U-BOLT & SADDLE, 1.62 ID	
12	0948141	4	CLAMP,LOOP,1.312	
13	1894799	6	CLAMP,CONSTANT TORQUE,13/16 TO 1-1/2 DIA	
14	1025857	2	CLAMP,HOSE,SIZE 8,LINED	
15	0055294		BRACKET,MTG,DOOR PROP,WEBASTO HTR	
16	0055420	AR	HOSE,SILICON,.75 I.D.	
17	0055460		BRACKET,MTG,EXHAUST PIPE,WEBASTO HTR,	
18	2009033		BUSHING,PIPE,GALV,1/4 X 3/8	
19	0905745		SEALANT,PIPE,LOCTITE 567,W/TEFLON 250CC	
20	0024125	AR	LOOM,CORRUGATED,BLACK,NYLON, 1 INCH I.D.	
21	0029999	14	TIE,CABLE,120LB 15.25L	
22	1797802	AR	HOSE,.25 ID X .50 OD,W-H H00904	
NI	0071075		CONTROL,ELEC,WEBASTO TIMER,7-DAY,82774A	

Models: C4RE
CONVECTION HEATING
KITS
With: FEATURE 30059

Key	PartNumber	Qty	Description	Comment
-----	------------	-----	-------------	---------



Models: C4RE
**CONVECTION HEATING
 KITS**
With: FEATURE 30059

Key	PartNumber	Qty	Description	Comment
	0060159		KIT,HEATER,CONVECTION,2910,FRONT DOOR,	CONSISTS OF THE FOLLOWING
1	0060169	2	HEATER ASSY,CONVECTION,TYPE 3,41.81	
2	0060167		HEATER ASSY,CONVECTION,TYPE 2,101.75	
3	0060166		HEATER ASSY,CONVECTION,TYPE 1,101.75	
4	0014927	AR	CLIP,MTG,HEATER,CONVECTION	
5	0059894	2	COVER,HOSE,VERTICAL,CONVECTION HEATING	
6	0016152	2	COVER,HEATER,CONVECTION HEATER	
	0060160		KIT,HEATER,CONVECTION,2910,FRT/CTR DR,	CONSISTS OF THE FOLLOWING
1	0060169	2	HEATER ASSY,CONVECTION,TYPE 3,41.81	
2	0060167		HEATER ASSY,CONVECTION,TYPE 2,101.75	
3	0060165		HEATER ASSY,CONVECTION,TYPE 1,18.51	
4	0014927	AR	CLIP,MTG,HEATER,CONVECTION	
5	0059894	2	COVER,HOSE,VERTICAL,CONVECTION HEATING	
6	0016152	2	COVER,HEATER,CONVECTION HEATER	
7	0060175		HEATER ASSY,CONVECTION,TYPE 15,23.48	
	0060161		KIT,HEATER,CONVECTION,3505,FRONT DOOR,	CONSISTS OF THE FOLLOWING
1	0060169	2	HEATER ASSY,CONVECTION,TYPE 3,41.81	
2	0060168		HEATER ASSY,CONVECTION,TYPE 2,168.75	
3	0060178		HEATER ASSY,CONVECTION,TYPE 15,168.75	
4	0014927	AR	CLIP,MTG,HEATER,CONVECTION	
5	0059894	2	COVER,HOSE,VERTICAL,CONVECTION HEATING	
6	0016152	2	COVER,HEATER,CONVECTION HEATER	
	0060162		KIT,HEATER,CONVECTION,3505,FRT/CTR DR,	CONSISTS OF THE FOLLOWING

Models: C4RE
**CONVECTION HEATING
 KITS**
With: FEATURE 30059

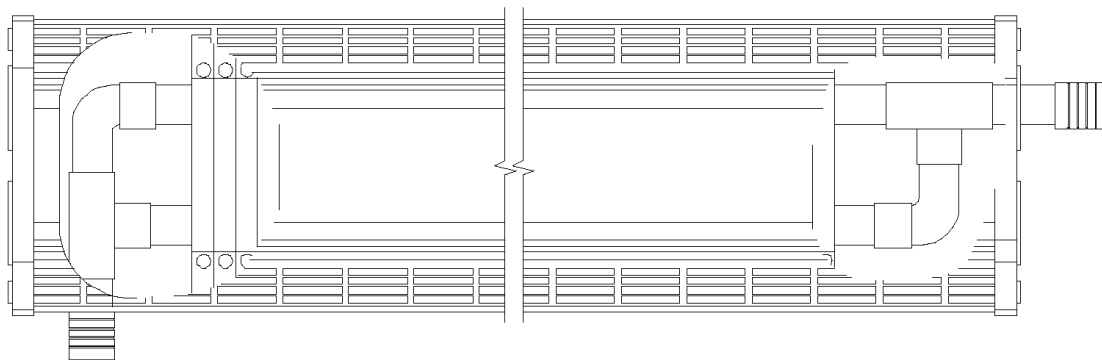
Key	PartNumber	Qty	Description	Comment
1	0060169	2	HEATER ASSY,CONVECTION,TYPE 3,41.81	
2	0060168		HEATER ASSY,CONVECTION,TYPE 2,168.75	
3	0060165		HEATER ASSY,CONVECTION,TYPE 1,18.51	
4	0014927	AR	CLIP,MTG,HEATER,CONVECTION	
5	0059894	2	COVER,HOSE,VERTICAL,CONVECTION HEATING	
6	0016152	2	COVER,HEATER,CONVECTION HEATER	
7	0060176		HEATER ASSY,CONVECTION,TYPE 15,90.48	
	0060163		KIT,HEATER,CONVECTION,4000,FRONT DOOR,	<i>CONSISTS OF THE FOLLOWING</i>
1	0060169	2	HEATER ASSY,CONVECTION,TYPE 3,41.81	
2	0060174		HEATER ASY,CONVECTION,TYPE 14,102.00	
3	0060173		HEATER ASSY,CONVECTION,TYPE 13,102.00	
4	0014927	AR	CLIP,MTG,HEATER,CONVECTION	
5	0059894	2	COVER,HOSE,VERTICAL,CONVECTION HEATING	
6	0016152	2	COVER,HEATER,CONVECTION HEATER	
7	0060170		HEATER ASSY,CONVECTION,TYPE 11,118.25	
8	0060171		HEATER ASSY,CONVECTION,TYPE 12,118.25	
	0060164		KIT,HEATER,CONVECTION,4000,FRT/CTR DR,	<i>CONSISTS OF THE FOLLOWING</i>
1	0060169	2	HEATER ASSY,CONVECTION,TYPE 3,41.81	
2	0060174		HEATER ASY,CONVECTION,TYPE 14,102.00	
3	0060165		HEATER ASSY,CONVECTION,TYPE 1,18.51	
4	0014927	AR	CLIP,MTG,HEATER,CONVECTION	
5	0059894	2	COVER,HOSE,VERTICAL,CONVECTION HEATING	
6	0016152	2	COVER,HEATER,CONVECTION HEATER	

Models: C4RE
**CONVECTION HEATING
 KITS**
With: FEATURE 30059

Key	PartNumber	Qty	Description	Comment
7	0060177		HEATER ASSY,CONVECTION,TYPE 15,146.48"	
8	0060171		HEATER ASSY,CONVECTION,TYPE 12,118.25	
9	0060214		COVER,HOSE,LH,WHEELHOUSE,CNVCTN HTNG,	
10	0060202		COVER,HOSE,RH,WHEELHOUSE,CNVCTN HTNG,	
11	0061263	4	ANGLE,MTG,COVER,HOSE,WHEELHOUSE, C4RE	
12	1143866	AR	HOSE,HEATER,1 INCH ID,SILICONE	
13	0020702	12	INSULATION,ARMAFLEX,1-5/8 ID X 3/8 WALL	
14	1107937	6	CLAMP,LOOP,2.00	
15	1894799	24	CLAMP,CONSTANT TORQUE,13/16 TO 1-1/2 DIA	
16	0013362	4	CONNECTOR ASSY,HTR HOSE,BULKHEAD,90	
17	1059278	2	SPLINT,1IN HOSE BEND,90 DEGREE,4.5IN.RAD	
18	0063136	2	FITTING,REDUCER,HEATER HOSE,19MM - 1.00"	
19	0063134		VALVE,HEATER,2-WAY,12V,WITH CONNECTOR,	
20	1467000	4	WASHER,FLAT,.281 X.750X.078 HARDENED,BLK	
21	1167808	4	SCREW,1/4-14 X 3/4,AB,PH1,PAN HD,BLK ZN	
22	1143676	76	SCREW,10-16 X 3/4, AB,PH1,PAN HD,BLK ZN,	
23	1489434	10	TRIM,VINYL,BLACK,DOUBLE LIP	
24	0055420	2	HOSE,SILICON,.75 I.D.	
NI	0063133		SWITCH,HEATER,12V,UWE EASY TERM	

Models: A1VC, A3FE, BBCV, B1VC, B2VC, C4RE, GMCV, SBCV, TCFE
**CONVECTION HEATING
TYPE 1**
With: FEATURE 30059

Key	PartNumber	Qty	Description	Comment
-----	------------	-----	-------------	---------

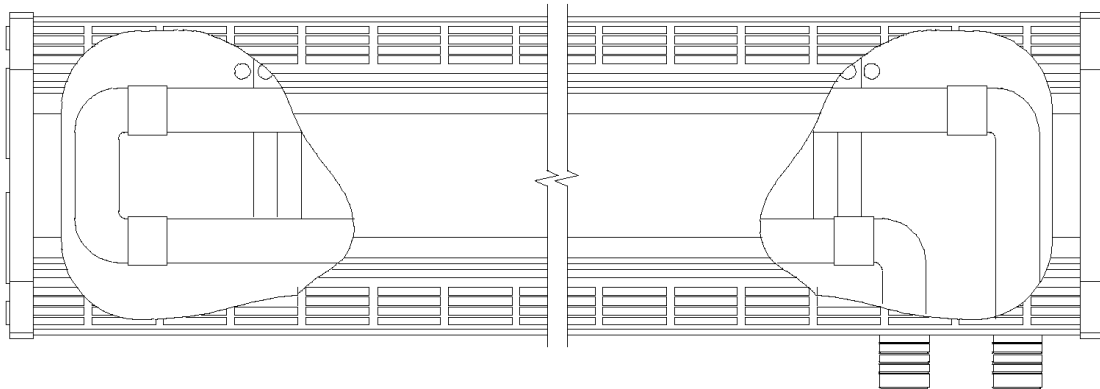


Models: A1VC, A3FE, BBCV, B1VC, B2VC, C4RE, GMCV, SBCV, TCFE
CONVECTION HEATING
TYPE 1
With: FEATURE 30059

Key	PartNumber	Qty	Description	Comment
			HEATER ASSEMBLY, CONVECTION TYPE 1	
	0013370		HEATER ASSY,CONVECTION,TYPE 1,56.10	
	0013354		HEATER ASSY,CONVECTION,TYPE 1,93.75	
	0013357		HEATER ASSY,CONVECTION,TYPE 1,100.75	
	0013377		HEATER ASSY,CONVECTION,TYPE 1,121.75	
	0048993		HEATER ASSY,CONVECTION,TYPE 1,79.50	
	0048994		HEATER ASSY,CONVECTION,TYPE 1,86.50	
	0048995		HEATER ASSY,CONVECTION,TYPE 1,107.50	
	0048997		HEATER ASSY,CONVECTION,TYPE 1,114.50	
	0048999		HEATER ASSY,CONVECTION,TYPE 1,121.50	
	0049102		HEATER ASSY,CONVECTION,TYPE 1,55.50	
	0049103		HEATER ASSY,CONVECTION,TYPE 1,83.50	
	0054454		HEATER ASSY,CONVECTION,TYPE 1,93.50	
	0054456		HEATER ASSY,CONVECTION,TYPE 1,142.50	
	0054457		HEATER ASSY,CONVECTION,TYPE 1,156.50	
	0054425		HEATER ASSY,CONVECTION,TYPE 1,177.50	
	0060165		HEATER ASSY,CONVECTION,TYPE 1,18.51	
	0060166		HEATER ASSY,CONVECTION,TYPE 1,101.75	

Models: A1VC, A3FE, BBCV, B1VC, B2VC, C4RE, GMCV, M4RE, SBCV, TCFE
CONVECTION HEATING
TYPE 10
With: FEATURE 30059

Key	PartNumber	Qty	Description	Comment
-----	------------	-----	-------------	---------

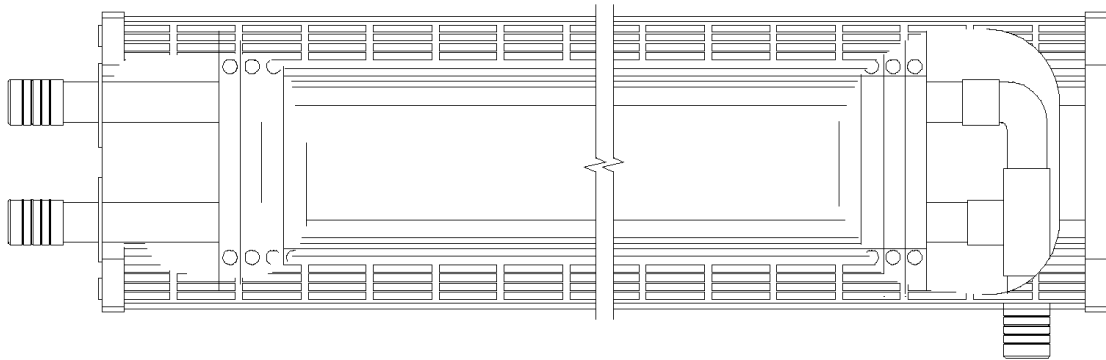


Models: A1VC, A3FE, BBCV, B1VC, B2VC, C4RE, GMCV, M4RE, SBCV, TCVE
CONVECTION HEATING
TYPE 10
With: FEATURE 30059

Key	PartNumber	Qty	Description	Comment
			HEATER ASSEMBLY, CONVECTION TYPE 10	
	0054314		HEATER ASSY,CONVECTION,TYPE 10,47.17	
	0054026		HEATER ASSY,CONVECTION,TYPE 10,67.17	
	0039921		HEATER ASSY,CONVECTION,TYPE 10,104.15	
	0052926		HEATER ASSY,CONVECTION,TYPE 10,151.40	
	0068286		HEATER ASSY,CONVECTION,TYPE 10,149.00	
	0068287		HEATER ASSY,CONVECTION,TYPE 10,101.00	

Models: A1VC, A3FE, BBCV, B1VC, B2VC, C4RE, GMCV, SBCV, TCFE
CONVECTION HEATING
TYPE 11
With: FEATURE 30059

Key	PartNumber	Qty	Description	Comment
-----	------------	-----	-------------	---------

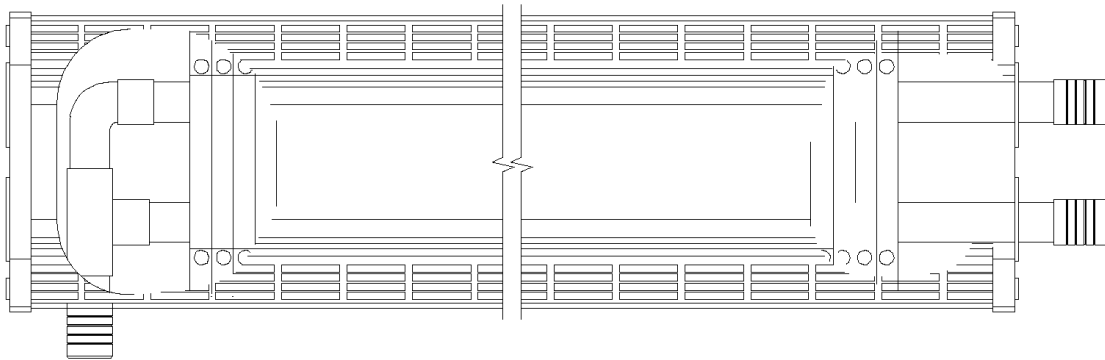


Models: A1VC, A3FE, BBCV, B1VC, B2VC, C4RE, GMCV, SBCV, TCFE
CONVECTION HEATING
TYPE 11
With: **FEATURE 30059**

Key	PartNumber	Qty	Description	Comment
			HEATER ASSEMBLY, CONVECTION TYPE 11	
	0049023		HEATER ASSY,CONVECTION,TYPE 11,100.50	
	0049024		HEATER ASSY,CONVECTION,TYPE 11,153.00	
	0049025		HEATER ASSY,CONVECTION,TYPE 11,181.00	
	0060170		HEATER ASSY,CONVECTION,TYPE 11,118.25	

Models: A1VC, A3FE, BBCV, B1VC, B2VC, C4RE, GMCV, SBCV, TCFE
CONVECTION HEATING
TYPE 12
With: FEATURE 30059

Key	PartNumber	Qty	Description	Comment
-----	------------	-----	-------------	---------

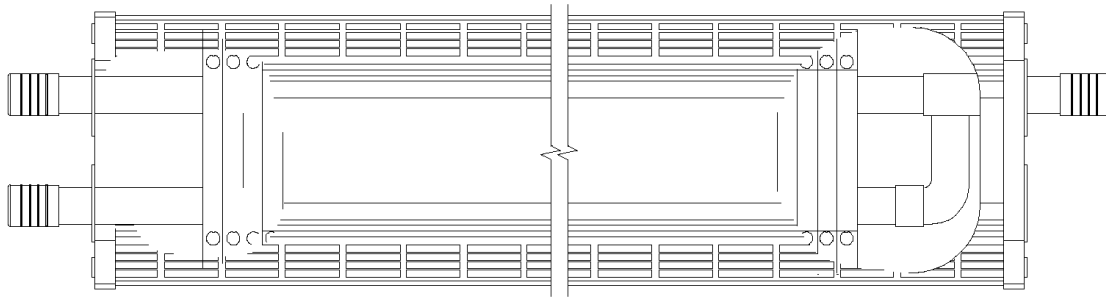


Models: A1VC, A3FE, BBCV, B1VC, B2VC, C4RE, GMCV, SBCV, TCFE
CONVECTION HEATING
TYPE 12
With: FEATURE 30059

Key	PartNumber	Qty	Description	Comment
			HEATER ASSEMBLY, CONVECTION TYPE 12	
	0049026		HEATER ASSY,CONVECTION,TYPE 12,119.00	
	0049027		HEATER ASSY,CONVECTION,TYPE 12,147.00	
	0049028		HEATER ASSY,CONVECTION,TYPE 12,175.00	
	0060171		HEATER ASSY,CONVECTION,TYPE 12,118.25	

Models: A1VC, A3FE, BBCV, B1VC, B2VC, C4RE, GMCV, SBCV, TCFE
CONVECTION HEATING
TYPE 13
With: FEATURE 30059

Key	PartNumber	Qty	Description	Comment
-----	------------	-----	-------------	---------

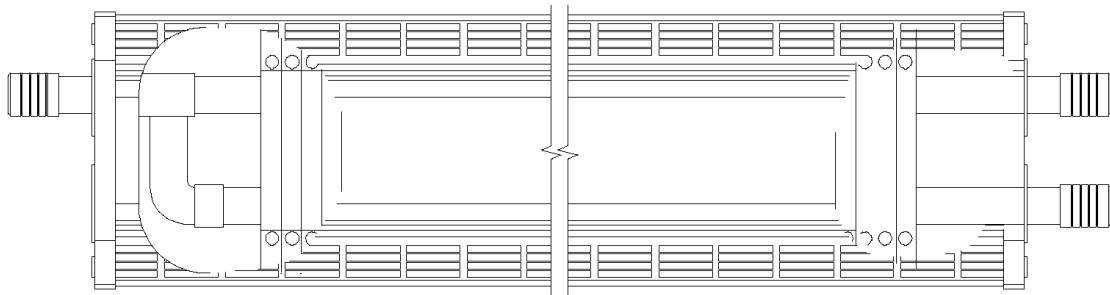


Models: A1VC, A3FE, BBCV, B1VC, B2VC, C4RE, GMCV, SBCV, TCFE
CONVECTION HEATING
TYPE 13
With: **FEATURE 30059**

Key	PartNumber	Qty	Description	Comment
			HEATER ASSEMBLY, CONVECTION TYPE 13	
	0049029		HEATER ASSY,CONVECTION,TYPE 13,97.00	
	0049030		HEATER ASSY,CONVECTION,TYPE 13,146.00	
	0060173		HEATER ASSY,CONVECTION,TYPE 13,102.00	

Models: A1VC, A3FE, BBCV, B1VC, B2VC, C4RE, GMCV, SBCV, TCFE
CONVECTION HEATING
TYPE 14
With: FEATURE 30059

Key	PartNumber	Qty	Description	Comment
-----	------------	-----	-------------	---------

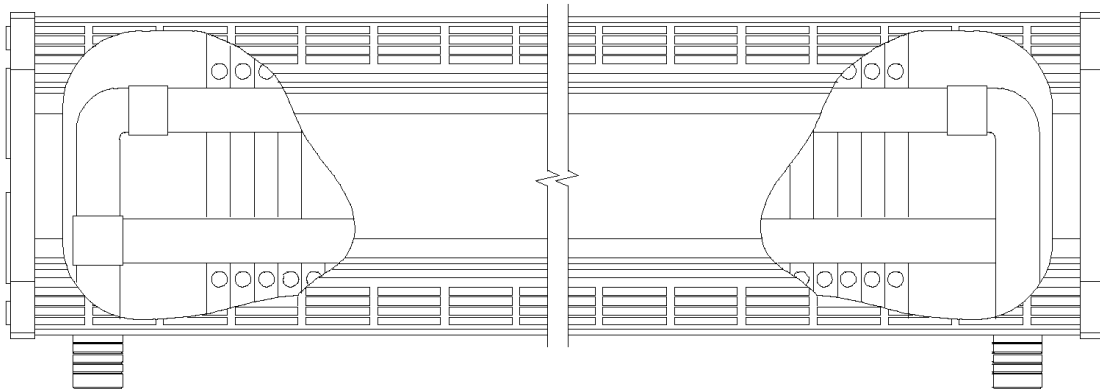


Models: A1VC, A3FE, BBCV, B1VC, B2VC, C4RE, GMCV, SBCV, TCFE
CONVECTION HEATING
TYPE 14
With: FEATURE 30059

Key	PartNumber	Qty	Description	Comment
			HEATER ASSEMBLY, CONVECTION TYPE 14	
	0049031		HEATER ASSY,CONVECTION,TYPE 14,97.00	
	0060174		HEATER ASY,CONVECTION,TYPE 14,102.00	

Models: A1VC, A3FE, BBCV, B1VC, B2VC, C4RE, GMCV, SBCV, TCFE
CONVECTION HEATING
TYPE 15
With: FEATURE 30059

Key	PartNumber	Qty	Description	Comment
-----	------------	-----	-------------	---------



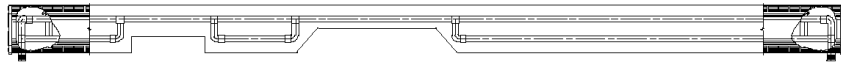
Models: A1VC, A3FE, BBCV, B1VC, B2VC, C4RE, GMCV, SBCV, TCFE
CONVECTION HEATING
TYPE 15
With: FEATURE 30059

Key	PartNumber	Qty	Description	Comment
			HEATER ASSEMBLY, CONVECTION TYPE 15	
	0049115		HEATER ASSY,CONVECTION,TYPE 15,134.50	
	0049116		HEATER ASSY,CONVECTION,TYPE 15,162.50	
	0060177		HEATER ASSY,CONVECTION,TYPE 15,146.48"	
	0060176		HEATER ASSY,CONVECTION,TYPE 15,90.48	
	0060178		HEATER ASSY,CONVECTION,TYPE 15,168.75	
	0060175		HEATER ASSY,CONVECTION,TYPE 15,23.48	

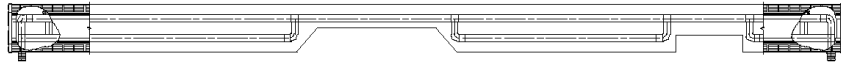
Models: A1VC, A3FE, BBCV, B1VC, B2VC, C4RE, GMCV, SBCV, TCFE
CONVECTION HEATING
TYPE 16
With: FEATURE 30059

Key	PartNumber	Qty	Description	Comment
-----	------------	-----	-------------	---------

0054448 HEATER ASSY, CONVECTION, TYPE 16, 110, 14 FORD



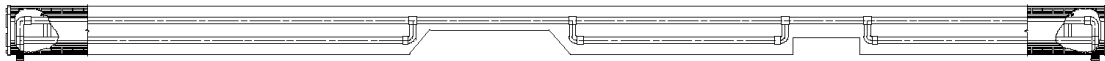
0054028 HEATER ASSY, CONVECTION, TYPE 16, 110, 14



0054199 HEATER ASSY, CONVECTION, TYPE 16, 124, 14



0049074 HEATER ASSY, CONVECTION, TYPE 16, 145, 14



Models: A1VC, A3FE, BBCV, B1VC, B2VC, C4RE, GMCV, SBCV, TCFE
CONVECTION HEATING
TYPE 16
With: FEATURE 30059

Key	PartNumber	Qty	Description	Comment
			HEATER ASSEMBLY, CONVECTION TYPE 16	
1	0054448		HEATER ASSY,CONVECTION,TYPE 16,110.14,	
2	0054028		HEATER ASSY,CONVECTION,TYPE 16,110.14	
3	0054199		HEATER ASSY,CONVECTION,TYPE 16,124.14	
4	0049074		HEATER ASSY,CONVECTION,TYPE 16,145.14	

Models: A1VC, A3FE, BBCV, B1VC, B2VC, C4RE, GMCV, SBCV, TCFE
CONVECTION HEATING
TYPE 17
With: FEATURE 30059

Key	PartNumber	Qty	Description	Comment
-----	------------	-----	-------------	---------

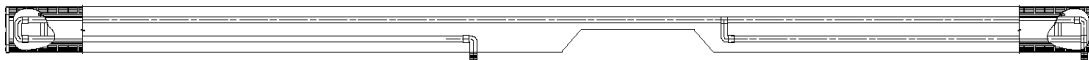
0054024 HEATER ASSY, CONVECTION, TYPE 17, 116.43



0054193 HEATER ASSY, CONVECTION, TYPE 17, 130.43



0049075 HEATER ASSY, CONVECTION, TYPE 17, 151.43

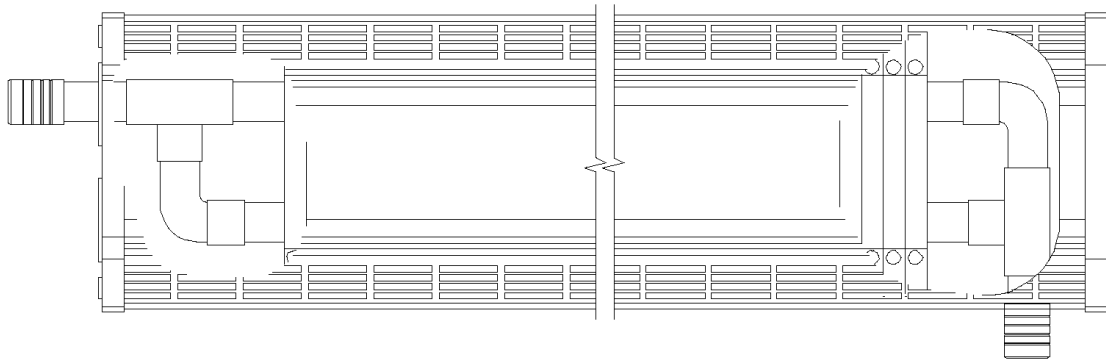


Models: A1VC, A3FE, BBCV, B1VC, B2VC, C4RE, GMCV, SBCV, TCFE
CONVECTION HEATING
TYPE 17
With: **FEATURE 30059**

Key	PartNumber	Qty	Description	Comment
			HEATER ASSEMBLY, CONVECTION TYPE 17	
	0054024		HEATER ASSY,CONVECTION,TYPE 17,116.43	
	0054193		HEATER ASSY,CONVECTION,TYPE 17,130.43	
	0049075		HEATER ASSY,CONVECTION,TYPE 17,151.43	

Models: A1VC, A3FE, BBCV, B1VC, B2VC, C4RE, GMCV, SBCV, TCFE
CONVECTION HEATING
TYPE 2
With: FEATURE 30059

Key	PartNumber	Qty	Description	Comment
-----	------------	-----	-------------	---------

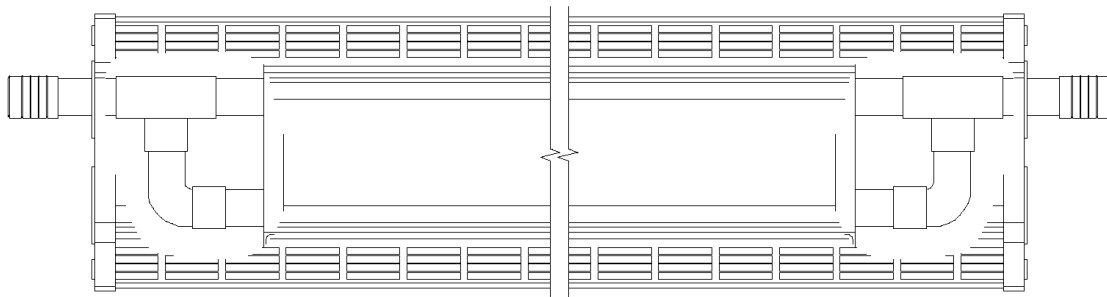


Models: A1VC, A3FE, BBCV, B1VC, B2VC, C4RE, GMCV, SBCV, TCFE
CONVECTION HEATING
TYPE 2
With: FEATURE 30059

Key	PartNumber	Qty	Description	Comment
			HEATER ASSEMBLY, CONVECTION TYPE 2	
	0013382		HEATER ASSY,CONVECTION,TYPE 2,158.50	
	0049032		HEATER ASSY,CONVECTION,TYPE 2,153.00	
	0049033		HEATER ASSY,CONVECTION,TYPE 2,181.00	
	0049232		HEATER ASSY,CONVECTION,TYPE 2,90.00	
	0049233		HEATER ASSY,CONVECTION,TYPE 2,118.00	
	0049234		HEATER ASSY,CONVECTION,TYPE 2,139.00	
	0049235		HEATER ASSY,CONVECTION,TYPE 2,160.00	
	0060167		HEATER ASSY,CONVECTION,TYPE 2,101.75	
	0060168		HEATER ASSY,CONVECTION,TYPE 2,168.75	

Models: A1VC, A3FE, BBCV, B1VC, B2VC, C4RE, GMCV, SBCV, TCFE
**CONVECTION HEATING
TYPE 3**
With: FEATURE 30059

Key	PartNumber	Qty	Description	Comment
-----	------------	-----	-------------	---------

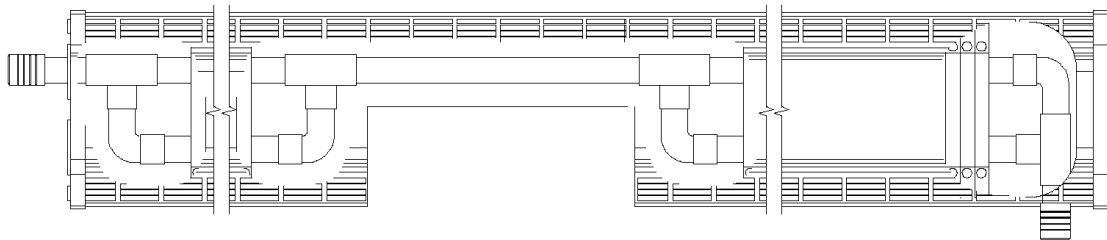


Models: A1VC, A3FE, BBCV, B1VC, B2VC, C4RE, GMCV, SBCV, TCFE
CONVECTION HEATING
TYPE 3
With: FEATURE 30059

Key	PartNumber	Qty	Description	Comment
			HEATER ASSEMBLY, CONVECTION TYPE 3	
	0013374		HEATER ASSY,CONVECTION,TYPE 3,165.40	
	0013376		HEATER ASSY,CONVECTION,TYPE 3,186.40	
	0049000		HEATER ASSY,CONVECTION,TYPE 3,90.00	
	0049001		HEATER ASSY,CONVECTION,TYPE 3,118.00	
	0049002		HEATER ASSY,CONVECTION,TYPE 3,139.00	
	0049003		HEATER ASSY,CONVECTION,TYPE 3,160.00	
	0049004		HEATER ASSY,CONVECTION,TYPE 3,181.00	
	0054426		HEATER ASSY,CONVECTION,TYPE 3,84.00	
	0054427		HEATER ASSY,CONVECTION,TYPE 3,112.00	
	0054428		HEATER ASSY,CONVECTION,TYPE 3,133.00	
	0054429		HEATER ASSY,CONVECTION,TYPE 3,147.00	
	0054430		HEATER ASSY,CONVECTION,TYPE 3,168.00	
	0060169		HEATER ASSY,CONVECTION,TYPE 3,41.81	

Models: A1VC, A3FE, BBCV, B1VC, B2VC, C4RE, GMCV, SBCV, TCFE
**CONVECTION HEATING
TYPE 4**
With: FEATURE 30059

Key	PartNumber	Qty	Description	Comment
-----	------------	-----	-------------	---------

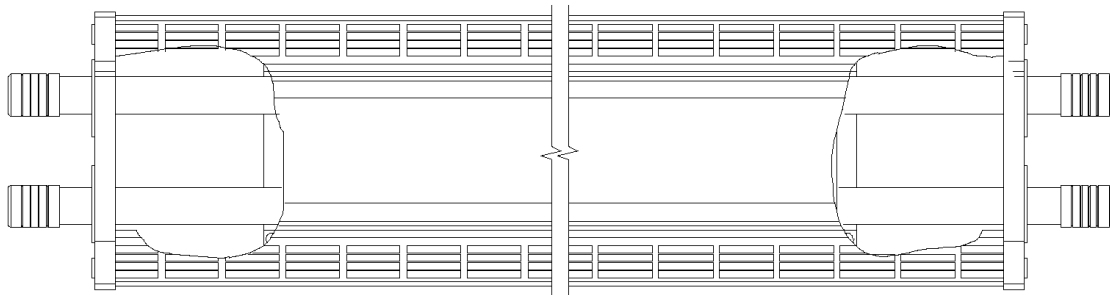


Models: A1VC, A3FE, BBCV, B1VC, B2VC, C4RE, GMCV, SBCV, TCFE
CONVECTION HEATING
TYPE 4
With: FEATURE 30059

Key	PartNumber	Qty	Description	Comment
			HEATER ASSEMBLY, CONVECTION TYPE 4	
	0013371		HEATER ASSY,CONVECTION,TYPE 4,93.75	
	0013372		HEATER ASSY,CONVECTION,TYPE 4,100.75	
	0013381		HEATER ASSY,CONVECTION,TYPE 4,121.75	
	0049005		HEATER ASSY,CONVECTION,TYPE 4,79.50	
	0049006		HEATER ASSY,CONVECTION,TYPE 4,86.50	
	0049007		HEATER ASSY,CONVECTION,TYPE 4,107.50	
	0049008		HEATER ASSY,CONVECTION,TYPE 4,114.50	
	0049009		HEATER ASSY,CONVECTION,TYPE 4,121.50	
	0059494		HEATER ASSY,CONVECTION,TYPE 4,93.50	

Models: A1VC, A3FE, BBCV, B1VC, B2VC, C4RE, GMCV, M4RE, SBCV, TCFE
CONVECTION HEATING
TYPE 5
With: FEATURE 30059

Key	PartNumber	Qty	Description	Comment
-----	------------	-----	-------------	---------

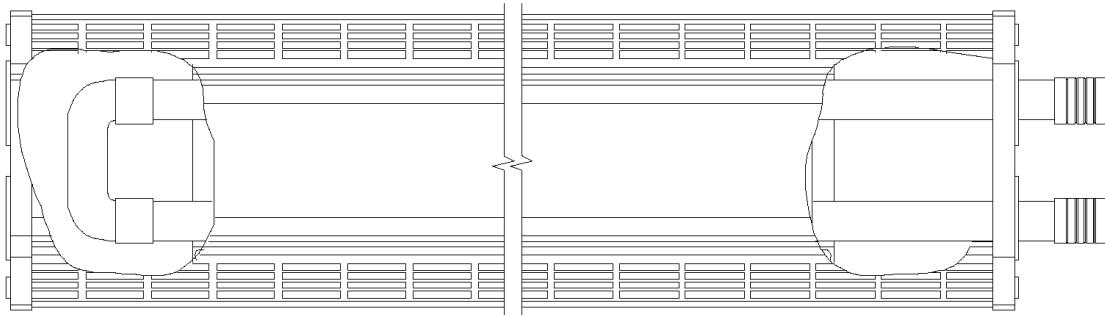


Models: A1VC, A3FE, BBCV, B1VC, B2VC, C4RE, GMCV, M4RE, SBCV, TCFE
CONVECTION HEATING
TYPE 5
With: FEATURE 30059

Key	PartNumber	Qty	Description	Comment
			HEATER ASSEMBLY, CONVECTION TYPE 5	
	0028135		HEATER ASSY,CONVECTION,TYPE 5,65.75	
	0028136		HEATER ASSY,CONVECTION,TYPE 5,72.75	
	0029456		HEATER ASSY,CONVECTION,TYPE 5,86.75	
	0028137		HEATER ASSY,CONVECTION,TYPE 5,92.75	
	0028138		HEATER ASSY,CONVECTION,TYPE 5,106.25	
	0028139		HEATER ASSY,CONVECTION,TYPE 5,114.75	
	0028141		HEATER ASSY,CONVECTION,TYPE 5,128.75	
	0023643		HEATER ASSY,CONVECTION,TYPE 5,149.75	
	0018568		HEATER ASSY,CONVECTION,TYPE 5,156.75	
	0018574		HEATER ASSY,CONVECTION,TYPE 5,169.25	
	0023646		HEATER ASSY,CONVECTION,TYPE 5,170.75	
	0061426		HEATER ASSY,CONVECTION,TYPE 5,160.50	
	0061427		HEATER ASSY,CONVECTION,TYPE 5,185.00	

Models: A1VC, A3FE, BBCV, B1VC, B2VC, C4RE, GMCV, M4RE, SBCV, TCFE
CONVECTION HEATING
TYPE 6
With: FEATURE 30059

Key	PartNumber	Qty	Description	Comment
-----	------------	-----	-------------	---------

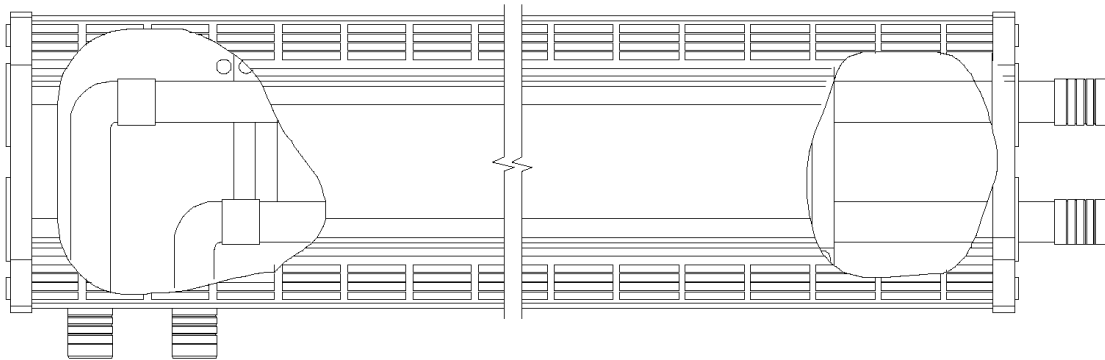


Models: A1VC, A3FE, BBCV, B1VC, B2VC, C4RE, GMCV, M4RE, SBCV, TCFE
CONVECTION HEATING
TYPE 6
With: FEATURE 30059

Key	PartNumber	Qty	Description	Comment
			HEATER ASSEMBLY, CONVECTION TYPE 6	
	0028142		HEATER ASSY,CONVECTION,TYPE 6,74.25	
	0028143		HEATER ASSY,CONVECTION,TYPE 6,81.75	
	0029457		HEATER ASSY,CONVECTION,TYPE 6,95.25	
	0028144		HEATER ASSY,CONVECTION,TYPE 6,100.65	
	0028145		HEATER ASSY,CONVECTION,TYPE 6,114.75	
	0028146		HEATER ASSY,CONVECTION,TYPE 6,123.25	
	0028147		HEATER ASSY,CONVECTION,TYPE 6,137.25	
	0023644		HEATER ASSY,CONVECTION,TYPE 6,158.25	
	0018569		HEATER ASSY,CONVECTION,TYPE 6,165.25	
	0018575		HEATER ASSY,CONVECTION,TYPE 6,177.75	

Models: A1VC, A3FE, BBCV, B1VC, B2VC, C4RE, GMCV, M4RE, SBCV, TCFE
CONVECTION HEATING
TYPE 7
With: FEATURE 30059

Key	PartNumber	Qty	Description	Comment
-----	------------	-----	-------------	---------

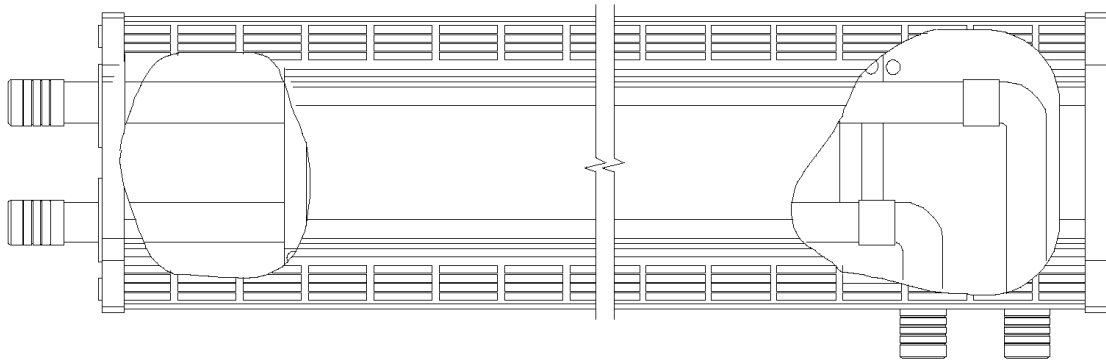


Models: A1VC, A3FE, BBCV, B1VC, B2VC, C4RE, GMCV, M4RE, SBCV, TCFE
CONVECTION HEATING
TYPE 7
With: FEATURE 30059

Key	PartNumber	Qty	Description	Comment
			HEATER ASSEMBLY, CONVECTION TYPE 7	
	0028148		HEATER ASSY,CONVECTION,TYPE 7,44.25	
	0028149		HEATER ASSY,CONVECTION,TYPE 7,51.25	
	0028150		HEATER ASSY,CONVECTION,TYPE 7,66.75	
	0028151		HEATER ASSY,CONVECTION,TYPE 7,79.25	
	0028152		HEATER ASSY,CONVECTION,TYPE 7,80.50	
	0029459		HEATER ASSY,CONVECTION,TYPE 7,89.25	
	0023632		HEATER ASSY,CONVECTION,TYPE 7,93.25	
	0023638		HEATER ASSY,CONVECTION,TYPE 7,100.25	
	0023649		HEATER ASSY,CONVECTION,TYPE 7,107.25	
	0018570		HEATER ASSY,CONVECTION,TYPE 7,108.75	
	0023654		HEATER ASSY,CONVECTION,TYPE 7,114.25	
	0018573		HEATER ASSY,CONVECTION,TYPE 7,115.75	
	0068288		HEATER ASSY,CONVECTION,TYPE 7,129.50	
	0068289		HEATER ASSY,CONVECTION,TYPE 7,153.50	

Models: A1VC, A3FE, BBCV, B1VC, B2VC, C4RE, GMCV, SBCV, TCFE
**CONVECTION HEATING
TYPE 8**
With: FEATURE 30059

Key	PartNumber	Qty	Description	Comment
-----	------------	-----	-------------	---------

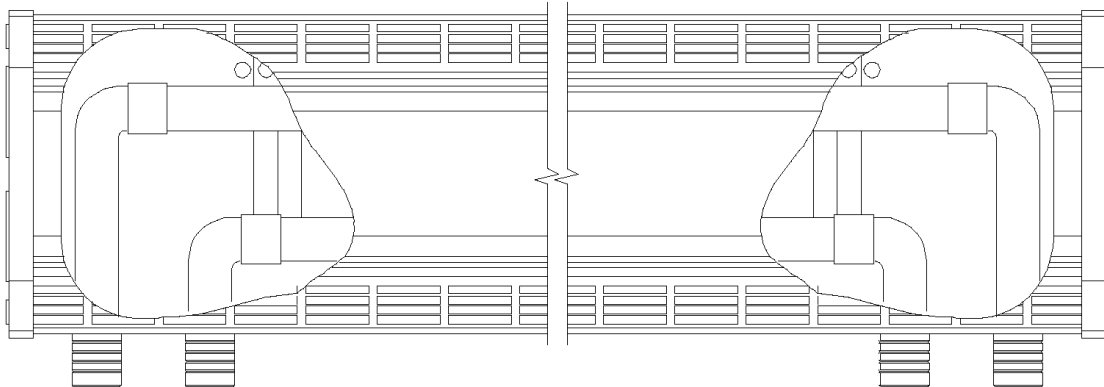


Models: A1VC, A3FE, BBCV, B1VC, B2VC, C4RE, GMCV, SBCV, TCFE
CONVECTION HEATING
TYPE 8
With: FEATURE 30059

Key	PartNumber	Qty	Description	Comment
			HEATER ASSEMBLY, CONVECTION TYPE 8	
	0028153		HEATER ASSY,CONVECTION,TYPE 8,44.25	
	0028154		HEATER ASSY,CONVECTION,TYPE 8,51.25	
	0028155		HEATER ASSY,CONVECTION,TYPE 8,66.75	
	0028156		HEATER ASSY,CONVECTION,TYPE 8,79.25	
	0028157		HEATER ASSY,CONVECTION,TYPE 8,80.50	
	0023634		HEATER ASSY,CONVECTION,TYPE 8,93.25	
	0023640		HEATER ASSY,CONVECTION,TYPE 8,100.25	
	0023650		HEATER ASSY,CONVECTION,TYPE 8,107.25	
	0023650		HEATER ASSY,CONVECTION,TYPE 8,107.25	
	0018577		HEATER ASSY,CONVECTION,TYPE 8,108.75	
	0023657		HEATER ASSY,CONVECTION,TYPE 8,114.25	
	0018576		HEATER ASSY,CONVECTION,TYPE 8,115.75	

Models: A1VC, A3FE, BBCV, B1VC, B2VC, C4RE, GMCV, SBCV, TCFE
CONVECTION HEATING
TYPE 9
With: FEATURE 30059

Key	PartNumber	Qty	Description	Comment
-----	------------	-----	-------------	---------



Models: A1VC, A3FE, BBCV, B1VC, B2VC, C4RE, GMCV, SBCV, TCFE
CONVECTION HEATING
TYPE 9
With: FEATURE 30059

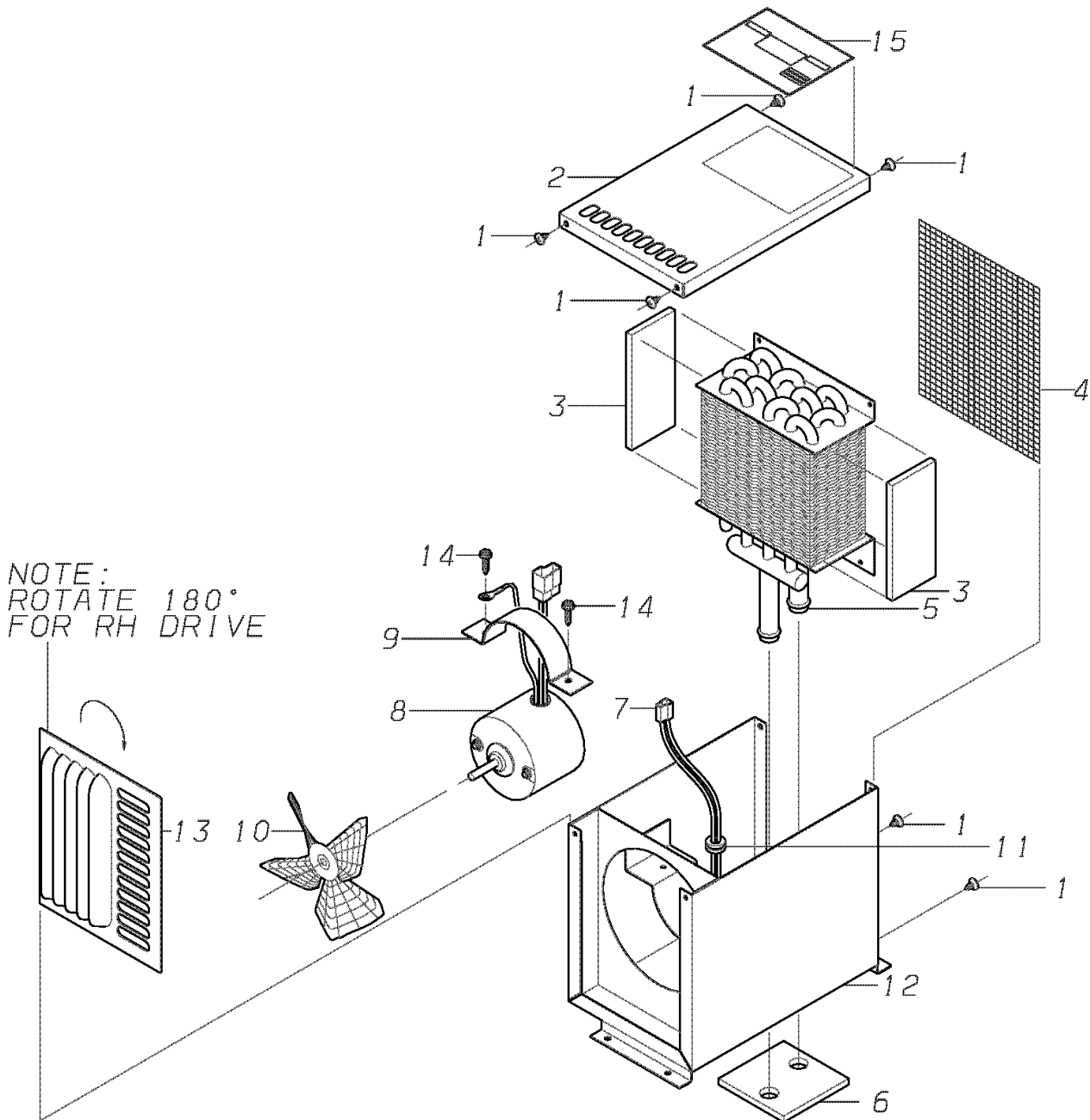
Key	PartNumber	Qty	Description	Comment
			HEATER ASSEMBLY, CONVECTION TYPE 9	
	0029461		HEATER ASSY,CONVECTION,TYPE 9,79.50	
	0026452		HEATER ASSY,CONVECTION,TYPE 9,72.50	
	0026984		HEATER ASSY,CONVECTION,TYPE 9,65.86	
	0026987		HEATER ASSY,CONVECTION,TYPE 9,58.86	
	0026989		HEATER ASSY,CONVECTION,TYPE 9,51.86	
	0028158		HEATER ASSY,CONVECTION,TYPE 9,4.86	
	0039917		HEATER ASSY,CONVECTION,TYPE 9,97.88	
	0038427		HEATER ASSY,CONVECTION,TYPE 9,86.50	

Models: A3FE, A3RE, C1FE, C3FE, C4RE, CSFE, CSRE, QBRE, TCEV, TCFE, TCRE, TSFE
DRIVER'S HEATER
BSN: From BSN 182348

Key	PartNumber	Qty	Description	Comment
-----	------------	-----	-------------	---------

DR.1/16/95 BY DB		1654482A	
APP.1/16/95 BY AB	FRT		REV

© BLUE BIRD BODY COMPANY. ALL RIGHTS RESERVED

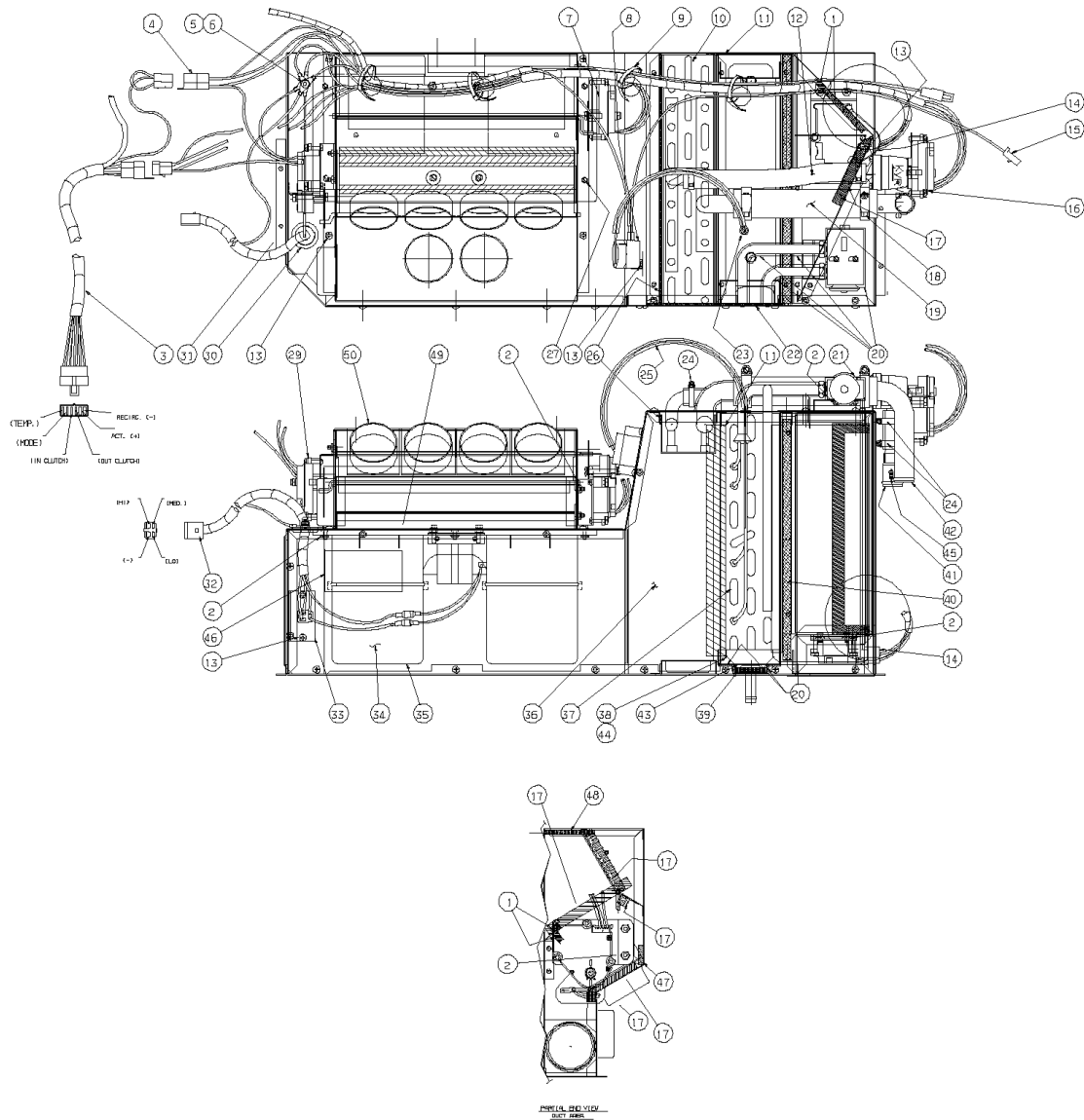


Models: A3FE, A3RE, C1FE, C3FE, C4RE, CSFE, CSRE, QBRE, TCEV, TCFE, TCRE, TSFE
DRIVER'S HEATER
BSN: From BSN 182348

Key	PartNumber	Qty	Description	Comment
1	2186401	6	SCREW,10-16 X 1/2,AB,PH1,PAN HD,YEL ZN	
2	1444025		PANEL,TOP,DRIVERS HEATER, TCFC	
3	1438506	2	SEAL,DRIVERS HEATER COIL,SIDE	
4	1438100		SCREEN,END,DRIVERS HEATER	
5	1438118		COIL,DRIVERS HEATER,2.50 X 5.00 X 7.00	
6	1438175		SEAL,DRIVERS HEATER COIL,TUBES	
7	1656370		HARNES,WRG,HEATER,DRIVERS,TCFC/RE	
8	1438480		MOTOR ASSY,W/TERMINAL PLUG,DRIVERS	
9	1450717		CLAMP,MOTOR MOUNT,DRIVERS HEATER	
10	1438126		FAN,5.00 IN HEATER,METAL,4 BLADE	
11	2003168		GROMMET,RUBBER	
12	1438191		HOUSING ASSY,DRIVERS HEATER	
13	1443480		PANEL,OUTLET,DRIVERS HEATER,TCFC	
14	1285923	2	SCREW,10-16 X 3/4,AB/B,PH1,HEX HD,	
15	1501535		PLATE,HEATER NAME,12M BTU	

Models: **C4RE**
FRONT HEATER
HEATER ASSY
COMPLETE ASSEMBLY

Key	PartNumber	Qty	Description	Comment
-----	------------	-----	-------------	---------



Models: C4RE
FRONT HEATER
HEATER ASSY
COMPLETE ASSEMBLY

Key	PartNumber	Qty	Description	Comment
	0045785		HEATER-A/C ASSY,FRONT DASH,BERGSTROM	<i>CONSISTS OF THE FOLLOWING</i>
1			GASKET, SPG,,.25 X .50	
2			LOCK NUT	
3			HARNESS - WIRE CONTROL	
4	0063545		HARNESS,WIRING,ACTUATORS,BERGSTROM	<i>ACTUATORS</i>
5			LOCK NUT	
6			WASHER	
7	0063546		CONTROL,ASSEMBLY,RT MODE,BERG	
	0063495		ACTUATOR,MOTOR,RED,BERGSTROM	<i>RED</i>
8	0063547		SWITCH,THERMOSTAT,BERG	
9			TIE	
10	0063548		COIL,HEATER,BERG	
11			SPONGE, .12 X 1.0	
12			HOSE, HEATER	
13			SCREW	
14	0063549		CONTROL,ASSEMBLY,RECIRCULATING,BERG	
	0063494		ACTUATOR,MOTOR,GREEN	<i>GREEN</i>
15	0063645		HARNESS,HEATER,WIRE,BERGSTROM	
16	0063644		CONTROL,ASSEMBLY,WATER VALVE,	<i>SEE DRAWING FOR 0063644</i>
17			SPONGE - RUBBER, .5 X .5	
18			CLAMP, HOSE	
19			HOSE, HEATER	
20			SEAL - MOISTURE	

Models: C4RE
FRONT HEATER
HEATER ASSY
COMPLETE ASSEMBLY

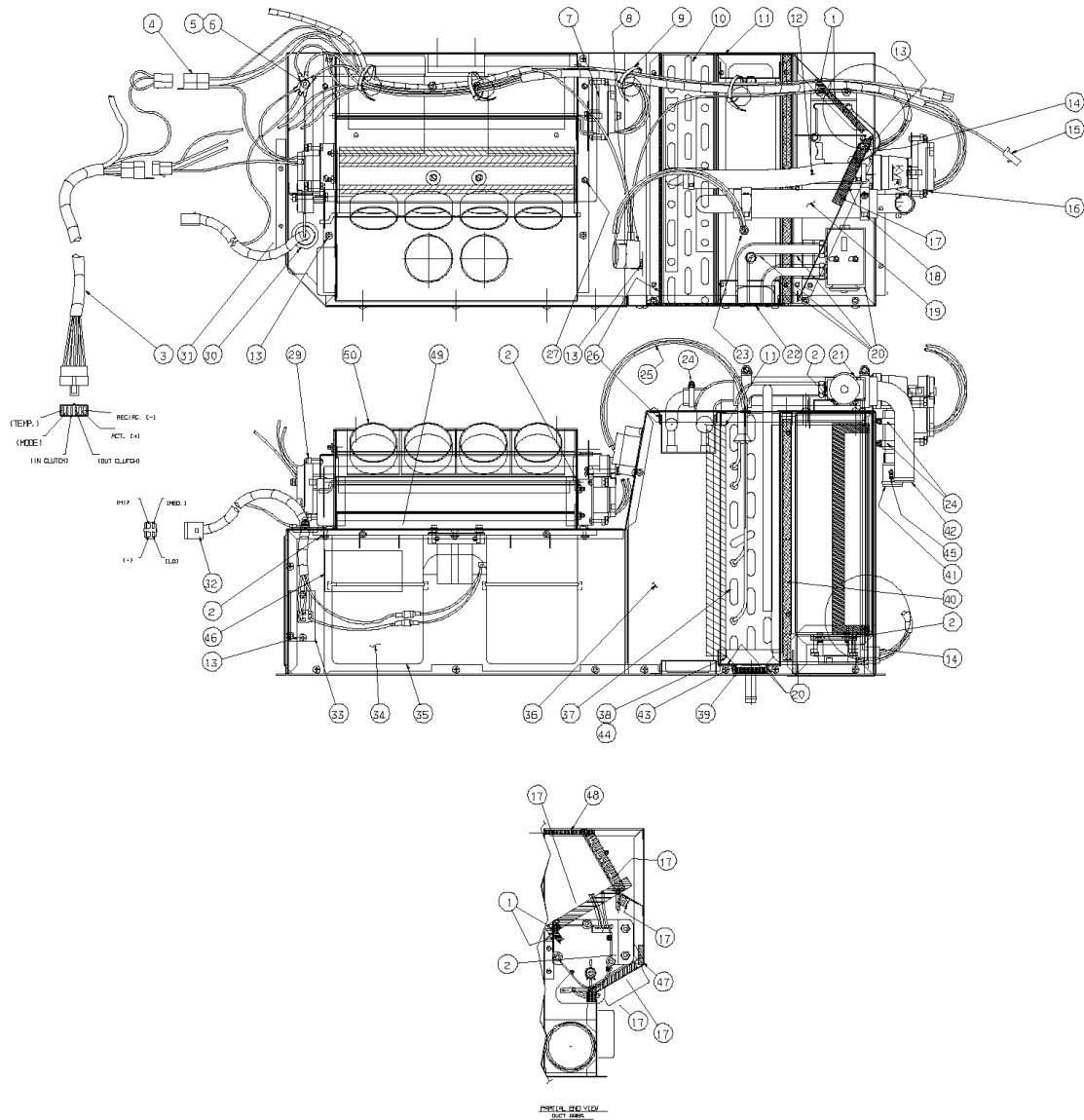
Key	PartNumber	Qty	Description	Comment
21			SCREW	
22	0063643		GASKET,HEATER,3.88X12,BERGSTROM	
23			GROMMET	
24			CLAMP, HEATER HOSE	
25			TUBING	
26			FELT	
27			SCREW	
29			ASSEMBLY CONTROL LT MODE	
30			GROMMET	
31			WELDMENT, CASE	
32			HARNESS, WIRE BLOWER	
33	0063642		RESISTOR,HEATER,12 V,BERGSTROM	
34	0063641		COVER,BLOWER,HEATER,BERGSTROM	
35	8303182		BLOWER ASSY. TC HEATER	
	8313223	8	SPRING CLIP,HEATER BLOWER,KYSOR"	<i>PART OF ITEM 35</i>
	0019167		WELDMENT,CASE TC2000 HEATER FRT.	<i>HOUSING: PART OF ITEM 35</i>
	0014626	2	GRILLE, END BLOWER ASSY 360870	<i>PART OF ITEM 35</i>
	8307365		WHEEL,HTR BLOWER 8303182(PLASTIC)"	<i>PART OF ITEM 35</i>
	8307373		MOTOR,12 VOLT,HEATER,FOR 8303182"	<i>PART OF ITEM 35</i>
	0013477		MOTOR STRAP	<i>PART OF ITEM 35</i>
36			COVER, COIL	
37	0063639		COIL,ASSEMBLY,HTR/AC,R-22,BERGSTROM	
37	0063639		COIL,ASSEMBLY,HTR/AC,R-22,BERGSTROM	

Models: C4RE
FRONT HEATER
HEATER ASSY
COMPLETE ASSEMBLY

Key	PartNumber	Qty	Description	Comment
38			WELDMENT,DRAIN PAN	
39			FOAM	
40	0063635		FILTER,HEATER,.44X12.5X13,BERG	
41			TUBE - REDUCE	
42			TUBE - COPPER	
43			CAULKING	
44			SEALER - SEAM	
45	0063634		DECAL,HEATER,(ARROW),BERGSTROM	
46			PLATE, I.D.	
47			RUBBER	
48	0063633		GASKET,HEATER,SP,P.S.,.25X2.62,BERG	
49	0063632		GASKET,HEATER,UR,P.S.,12X1.12,BERG	
50			WELDMENT- DUCT	

Models: **C4RE**
FRONT HEATER
HEATER ASSY
COMPLETE ASSEMBLY

Key	PartNumber	Qty	Description	Comment
-----	------------	-----	-------------	---------




Models: C4RE
FRONT HEATER
HEATER ASSY
COMPLETE ASSEMBLY

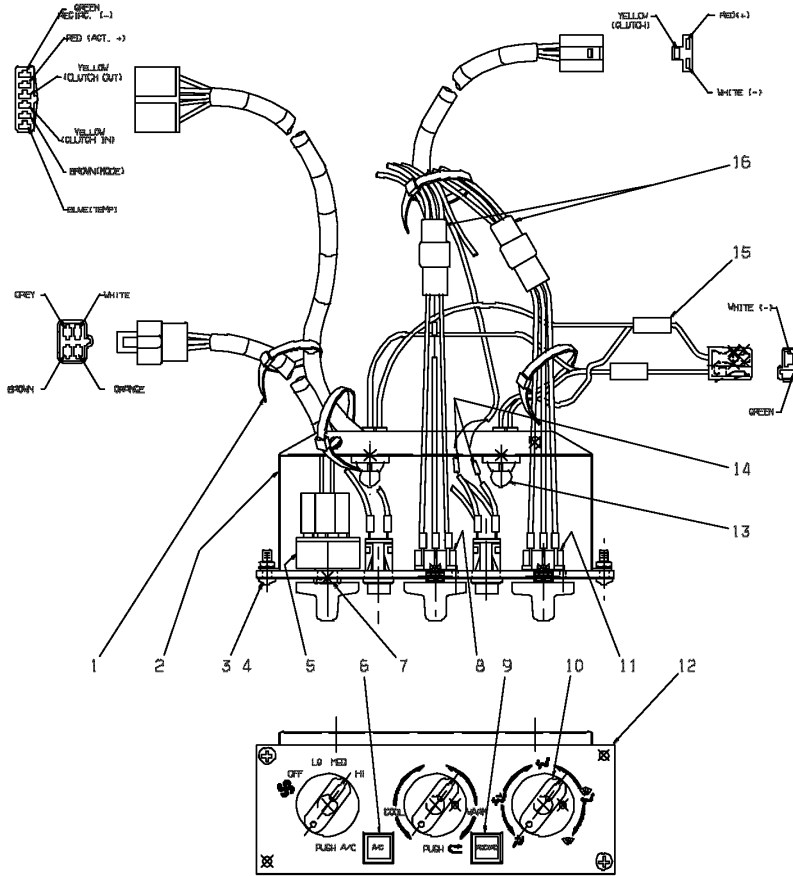
Key	PartNumber	Qty	Description	Comment
36			COVER, COIL	
37	0063639		COIL,ASSEMBLY,HTR/AC,R-22,BERGSTROM	
37	0063639		COIL,ASSEMBLY,HTR/AC,R-22,BERGSTROM	
38			WELDMENT, DRAIN PAN	
39			FOAM	
40	0063635		FILTER,HEATER,.44X12.5X13,BERG	
41			TUBE - REDUCE	
42			TUBE - COPPER	
43			CAULKING	
44			SEALER - SEAM	
45	0063634		DECAL,HEATER,(ARROW),BERGSTROM	
46			PLATE, I.D.	
47			RUBBER	
48	0063633		GASKET,HEATER,SP,P.S.,.25X2.62,BERG	
49	0063632		GASKET,HEATER,UR,P.S.,12X1.12,BERG	
50			WELDMENT - DUCT	

Models: C4RE
FRONT HEATER
HEATER ASSY
HEATER CONTROL SWITCH PANEL
WIRING AND SWITCHES

Key	PartNumber	Qty	Description	Comment
-----	------------	-----	-------------	---------

DR. 05/10/01	BY TFM	0250241	--	
APP.	BY	PRT	REV	

© BLUE BIRD BODY COMPANY, ALL RIGHTS RESERVED

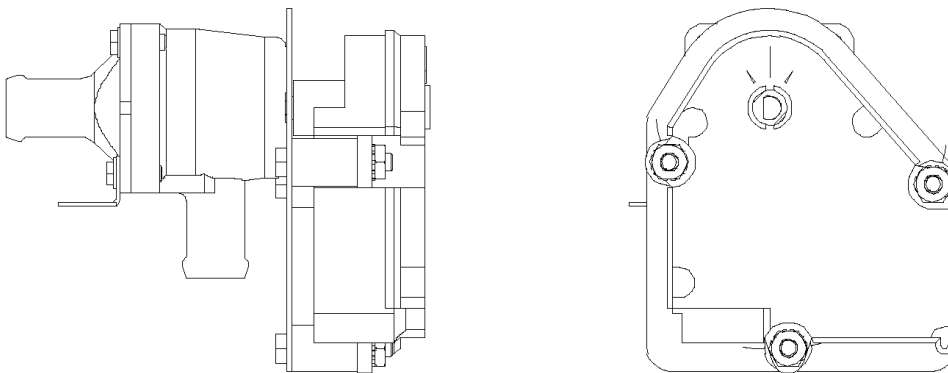
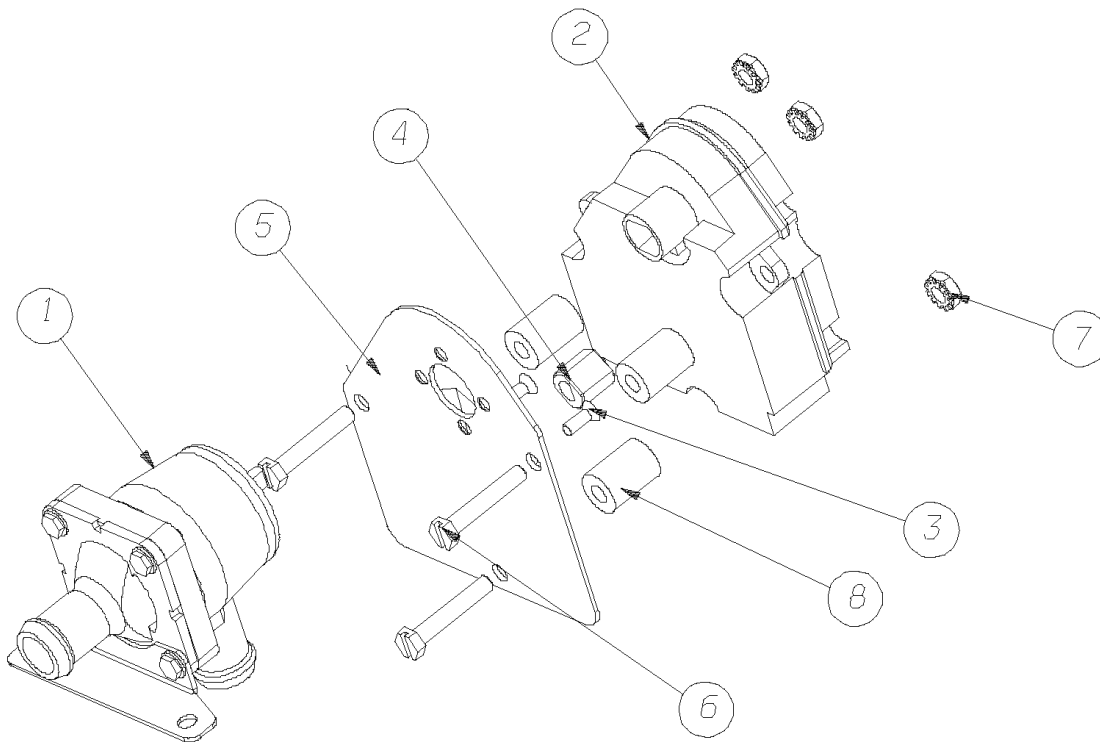


Models: C4RE
FRONT HEATER
HEATER ASSY
HEATER CONTROL SWITCH PANEL
WIRING AND SWITCHES

Key	PartNumber	Qty	Description	Comment
			A/C, HEATER-DEFROSTER, KYSOR	
	4635736		PANEL,CONTROL,A/C,KYSOR WESTRAN 1998WL	<i>CONSISTS OF ITEMS 5,6,7,8,9,10,11,12, AND 14</i>
1			TIE, PLASTIC	
2			BRACKET - LIGHT PANEL	
3			SCREW, NO.10-32 X 5/8 BLACK	
4			NUT, NO. 10-32 LOCK	
5	4320925		SWITCH,FAN,HEATER,CONV"	
6	0014942		SWITCH,A/C KYSOR LTC	
7	4316774		NUT, SWITCH LH FRT HTR.	
8	0014941		ASSEMBLY,SWITCH TEMP,KYSOR LTC	
9	0014945		SWITCH,RECIRC. KYSOR LTC	
10	8303158		KNOB, TC HEATER PANEL"	
11	0014943		ASSEMBLY,SWITCH, MODE LTC	
12	0022298		PLATE,CONTROL,LTC HEATER/AC PANEL	
13	0015301		LAMP - 12V. LTC KYSOR (220001)	
14	0015300		ASSY - WIRE GRD RESISTOR LTC KYSOR	
15	0015298		ASSEMBLY - LIGHT SOCKET LTC KYSOR	
16	0015299		HARNESS, WIRE CONTROL KYSOR,LTC	
			FOR HEATER ASSY 0045785	

Models: C4RE
 FRONT HEATER
 HEATER ASSY
 WATER VALVE ACTUATOR

Key	PartNumber	Qty	Description	Comment
-----	------------	-----	-------------	---------

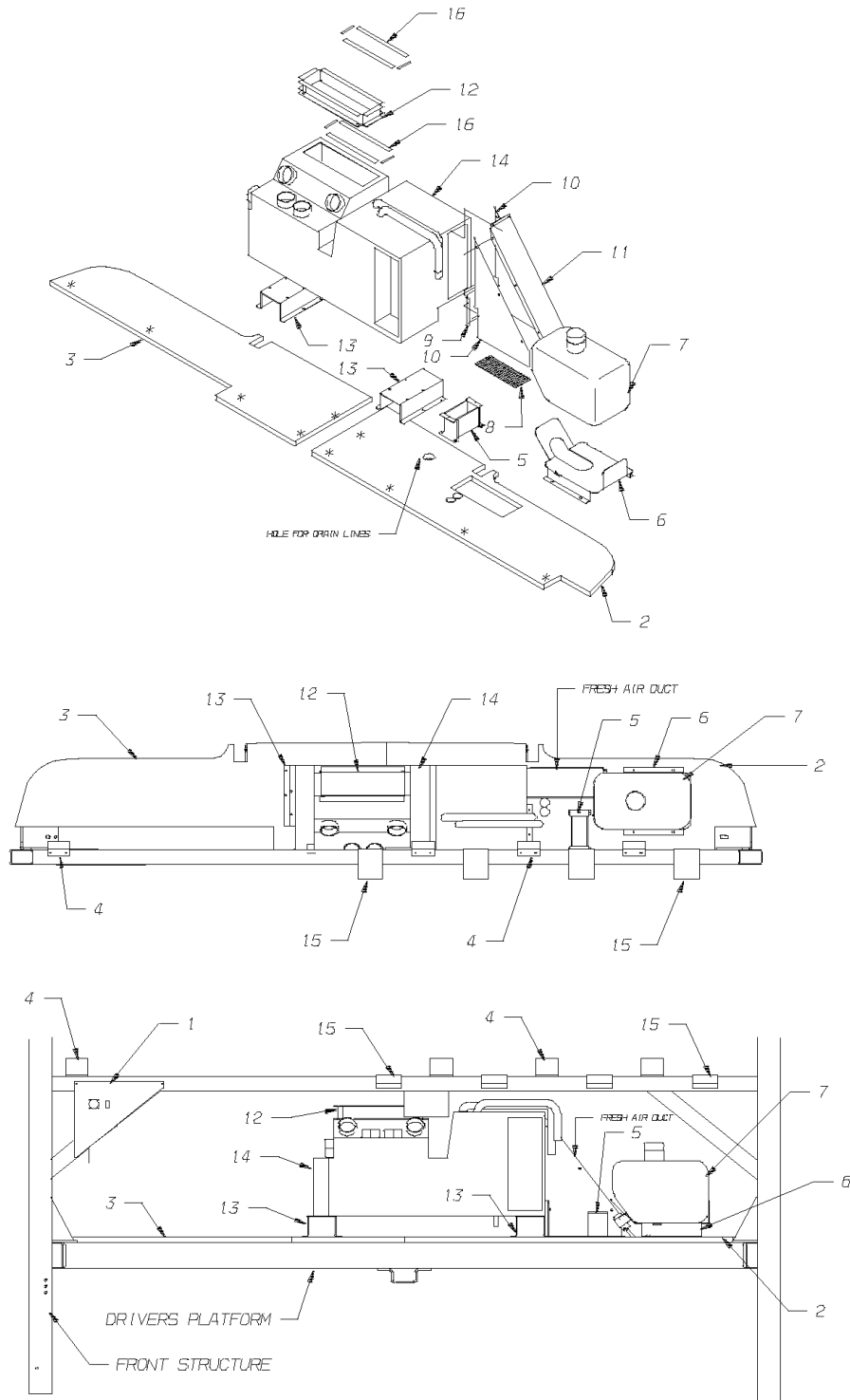


Models: C4RE
 FRONT HEATER
 HEATER ASSY
 WATER VALVE ACTUATOR

Key	PartNumber	Qty	Description	Comment
	0063644		CONTROL,ASSEMBLY,WATER VALVE,	CONSISTS OF THE FOLLOWING
1	0063496		VALVE ASSY,WATER,BERGSTROM	PART OF ITEM 1
2	0063495		ACTUATOR,MOTOR,RED,BERGSTROM	PART OF ITEM 1
3			SCREW,	PART OF ITEM 1
4			PLUG	PART OF ITEM 1
5			BRACKET, WATER VALVE	PART OF ITEM 1
6			SCREW	PART OF ITEM 1
7			NUT	PART OF ITEM 1
8			SAPCER	PART OF ITEM 1
			PART OF HEATER ASSEMBLY 0045785	

Models: C4RE
FRONT HEATER
HEATER INSTALLATION

Key	PartNumber	Qty	Description	Comment
-----	------------	-----	-------------	---------

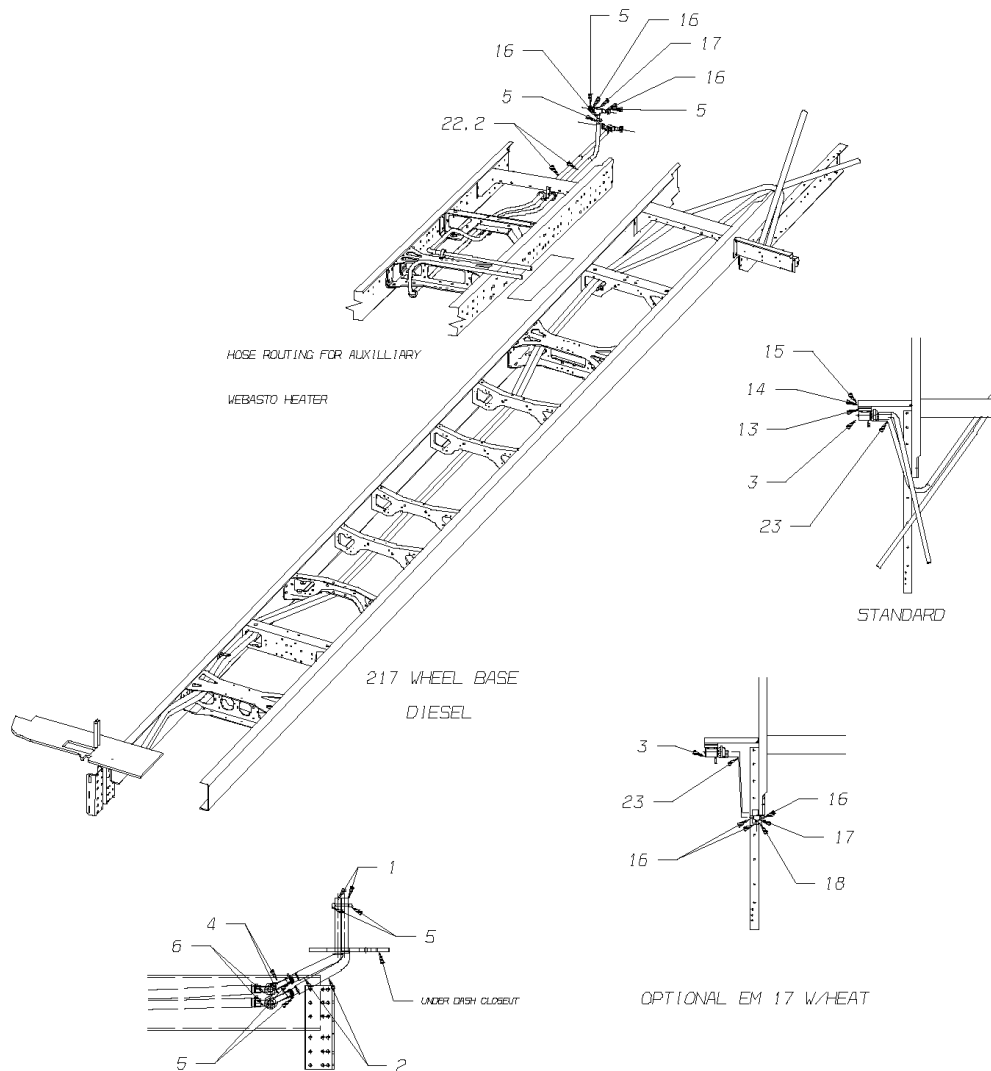


**Models: C4RE
FRONT HEATER
HEATER INSTALLATION**

Key	PartNumber	Qty	Description	Comment
1	0042962		PANEL,CLOSEOUT,LH,UPPER,DRIVERS, C4RE	
2	0037503		PLYWOOD,CLOSEOUT,RIGHT HAND, C4RE	
3	0037504		PLYWOOD,CLOSEOUT,LEFT HAND, C4RE	
4	0043013	4	BRACKET,MTG,PLENUM, C4RE	
5	0041741		RETAINER ASSY,TOW EYE, C4RE	
6	0035706		BRACKET,WASHER BOTTLE, C4RE	
7	0037507		KIT,WASHER BOTTLE, C4RE	
8	1958628		SCREEN,AIR INTAKE,DEFROSTER,KYSOR A/C	
9	0036401		BRACKET,REINF,FRESH AIR DUCT, C4RE	
10	0038005	2	PANEL,SIDE,FRESH AIR DUCT, C4RE	
11	0038006		PANEL,TOP,FRESH AIR DUCT, C4RE	
12	0051713		PANEL ASSY,CLOSEOUT,A/C TO DEF PLENUM,	
13	0037509	2	BRACKET,FLOOR MOUNT,KYSOR, C4RE	
14	0045785		HEATER-A/C ASSY,FRONT DASH,BERGSTROM	
15	0042762	4	BRACKET,MTG,DASH,RH, C4RE	
16	0621953	AR	TAPE,FOAM,1/8X3/4X50FT,CLSD.CELL NEOP.	
NI	8303257	AR	HOSE, 2" CV HEATER"	
NI	4316733	5	HOSE, 2.5" HEATER CV KYSOR WESTRAN	
NI	0034297	5	REDUCER,FLEX HOSE,2.5-2.0,ABS,	
NI	0029999	2	TIE,CABLE,120LB 15.25L	
NI	1143676	30	SCREW,10-16 X 3/4, AB,PH1,PAN HD,BLK ZN,	
NI	0527358	10	SCREW,1/4-14 X 1-1/4,AB,PH1,FLT CNSK,YEL	
NI	2051902	2	SEALANT,SILICONE,BLACK,CARTRIDGE	

Models: C4RE
HEATER PIPING

Key	PartNumber	Qty	Description	Comment
-----	------------	-----	-------------	---------



Models: **C4RE
HEATER PIPING**

Key	PartNumber	Qty	Description	Comment
1	1143866		HOSE,HEATER,1 INCH ID,SILICONE	
2	0020702		INSULATION,ARMAFLEX,1-5/8 ID X 3/8 WALL	
	0051255		PUMP ASSY,WATER,AUX,HEAVY DUTY, C4RE	<i>CONSISTS OF THE FOLLOWING</i>
	0051254		BRACKET,MTG,HEATER WATER PUMP, C4RE	
	0024965		PUMP ASSY,WATER,HEAVY DUTY,	<i>CONSISTS OF THE FOLLOWING</i>
	1973999		PUMP,WATER,AUXILIARY HTR,MP,12 VOLT	
	1161850		CONNECTOR,2 CIRC,SHROUD,WEATHERPACK,	
	1154582		SEAL,WIRE,CBL/DIA.111-.137,GY,W/PACK,PACK	
	1113307		TERMINAL,PIN,14-16 GA,WEATHERPACK,	
	2000073	4	SCREW,1/4-20 X 1,D,HEX HD,YEL ZN DICH	
	2001121	4	WASHER,FLAT,5/16 X 3/4,X 5/64,YEL ZN DICH	
4	0051161	2	TUBING,BRASS,2 EL W/OFFSET	<i>WITH OFFSET</i>
5	1894799	10	CLAMP,CONSTANT TORQUE,13/16 TO 1-1/2 DIA	
6	1576388	2	GROMMET,MOLDED STRIP,.320 X 12.75 LONG	
7	0030006	2	SADDLE,W/AXIAL OVAL MTG	
8	0024076	4	TIE,CABLE,NYLON,BUTTON HD,14.75L X .22W	
9	0989145	AR	CAPSCREW,HEX HD,5/16-18, X, 1, ,GR5,	
10	0829390	AR	NUT,HEX HD,5/16-18,SER WASHER,YEL ZN	
11	1317247	2	BRACKET,ATCH,BRAKE LINE TO FRAME	
12	0029999	AR	TIE,CABLE,120LB 15.25L	
13	0803213	2	CAPSCREW,HEX HD,3/8-16X1 1/4,GR8,YEL	
14	0882795	2	LOCKWASHER,SPLIT RING,3/8,MED,YELLOW	
15	2001451	2	NUT,HEX HD,3/8-16,YELLOW DICHROMATE	

**Models: C4RE
HEATER PIPING**

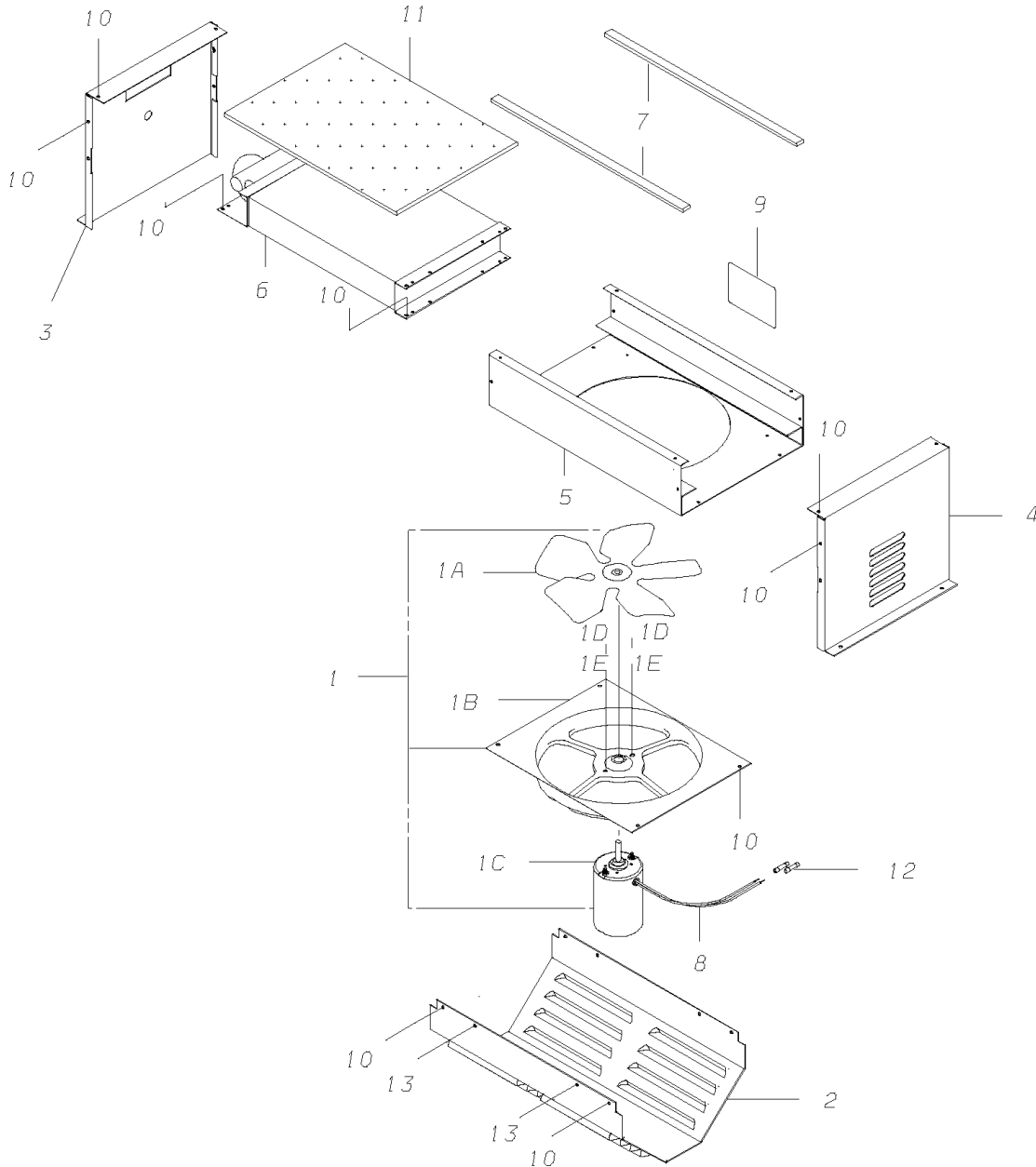
Key	PartNumber	Qty	Description	Comment
16	0315200	AR	ADAPTER,HTR,3/4 PIPE X 1 HOSE	
17	1900711	AR	TEE,FEMALE RUN,3/4 FPT,BRASS	
18	0049385		BRACKET,MTG,HEATER HOSES,ENG CMPT, C4RE	
19	0048663	2	ADAPTER,HEATER,3/4 PIPE X 3/4 HOSE,	
20	1107937	6	CLAMP,LOOP,2.00	
21	1317247	3	BRACKET,ATCH,BRAKE LINE TO FRAME	
22	0055420	AR	HOSE,SILICON,.75 I.D.	
23	1059278		SPLINT,1IN HOSE BEND,90 DEGREE,4.5IN.RAD	

Models: C4RE
HEATER PIPING
CNG

Key	PartNumber	Qty	Description	Comment
NI	1143866	AR	HOSE,HEATER,1 INCH ID,SILICONE	
NI	0020702	AR	INSULATION,ARMAFLEX,1-5/8 ID X 3/8 WALL	
NI	0051255		PUMP ASSY,WATER,AUX,HEAVY DUTY, C4RE	
NI	0051161	2	TUBING,BRASS,2 EL W/OFFSET	WITH OFFSET
NI	1894799	10	CLAMP,CONSTANT TORQUE,13/16 TO 1-1/2 DIA	
NI	1576388	2	GROMMET,MOLDED STRIP,.320 X 12.75 LONG	
NI	0030006	3	SADDLE,W/AXIAL OVAL MTG	
NI	0024076	AR	TIE,CABLE,NYLON,BUTTON HD,14.75L X .22W	
NI	0989145	AR	CAPSCREW,HEX HD,5/16-18, X, 1, ,GR5,	
NI	0829390	AR	NUT,HEX HD,5/16-18,SER WASHER,YEL ZN	
NI	1317247	AR	BRACKET,ATCH,BRAKE LINE TO FRAME	
NI	0029999	AR	TIE,CABLE,120LB 15.25L	
NI	0803213	2	CAPSCREW,HEX HD,3/8-16X1 1/4,GR8,YEL	
NI	0882795	2	LOCKWASHER,SPLIT RING,3/8,MED,YELLOW	
NI	2001451	2	NUT,HEX HD,3/8-16,YELLOW DICHROMATE	
NI	0620120	3	SHIM,CABLE CLAMP	
NI	1900711		TEE,FEMALE RUN,3/4 FPT,BRASS	
NI	0049385		BRACKET,MTG,HEATER HOSES,ENG CMPT, C4RE	

Models: AAFE, AARE, A3FE, A3RE, BBCV, C1FE, C4RE, MBWB, QBRE, SBCV, TCFE, TCRE, VCTA
UNDERSEAT HEATER
50,000 BTU
FLOOR MOUNTED
With: OPTION 1325, 1328, 1330, 1332, WITH 1348-01, 30060, 6127, 6147

Key	PartNumber	Qty	Description	Comment
-----	------------	-----	-------------	---------



Models: AAFE, AARE, A3FE, A3RE, BBCV, C1FE, C4RE, MBWB, QBRE, SBCV, TCFE, TCRE, VCTA
UNDERSEAT HEATER
50,000 BTU
FLOOR MOUNTED
With: OPTION 1325, 1328, 1330, 1332, WITH 1348-01, 30060, 6127, 6147

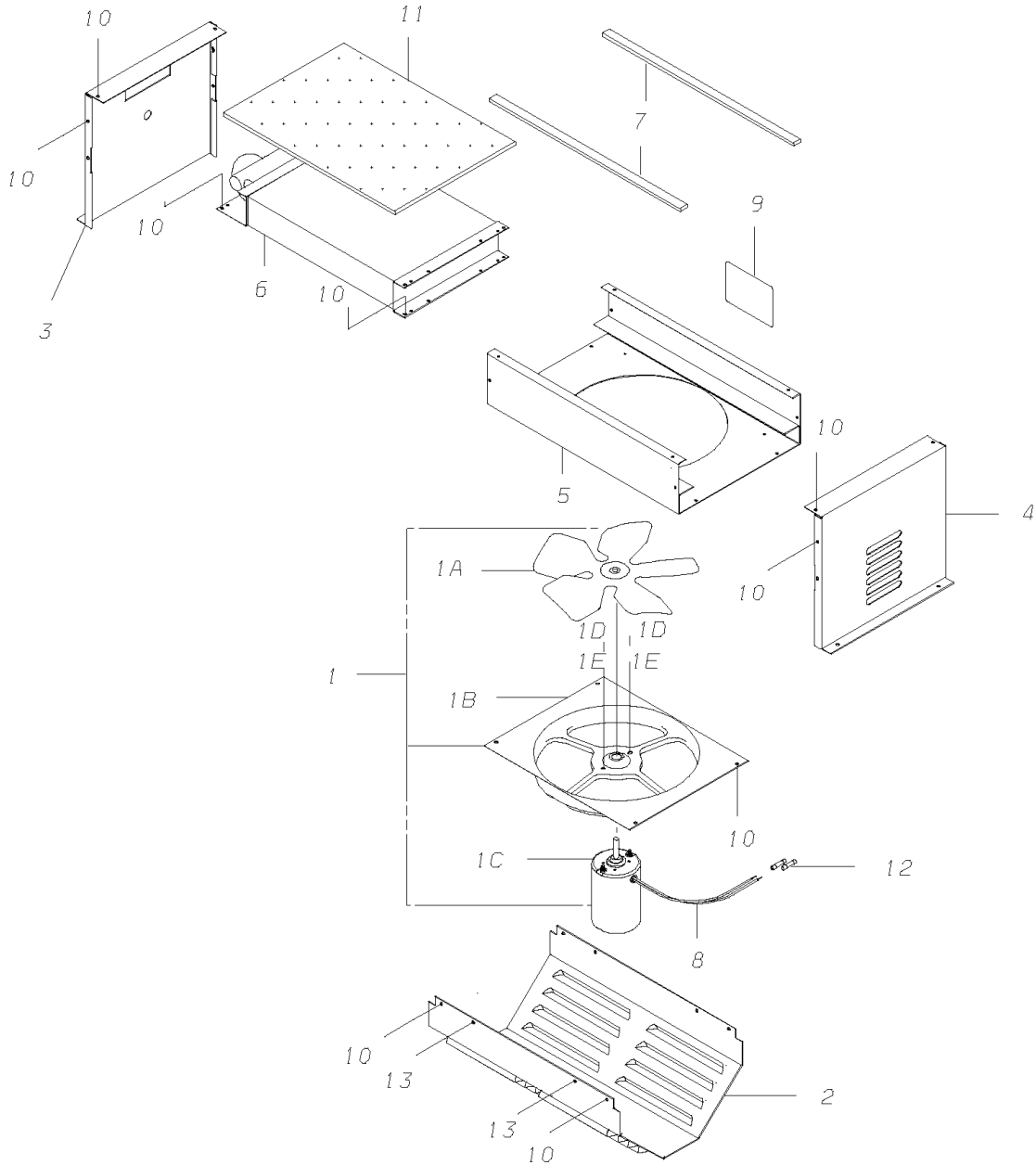
Key	PartNumber	Qty	Description	Comment
NI			HEATER ASSY.	<i>INCLUDES ALL PARTS LISTED ON THIS PAGE</i> <i>OPT 1325, 1330, LH, 1328, 1332 RH W/1348 FLOOR MTD</i>
	0007724		HEATER ASSY,50M BTU,U/S ALUM F/N COIL,	<i>ENDING WITH BSN F10020224, B10035319, L10032854 M10041329, X10009289 10/31/99</i>
	0016883		HEATER ASSY,50M BTU,FLOOR MOUNTED	<i>BEGIN WITH BSN F10020225, B10035320, L10032855 M10041330, X10009290 11/01/99</i>
1	0007690		BLOWER ASSY,9 AMP MOTOR & FAN U/S HTR	
1A	2004307		FAN,10IN,HEATER,METAL,5 BLADE	<i>PART OF ITEM 1</i>
1B	0002956		HOUSING,10 IN FAN	<i>PART OF ITEM 1</i>
1C	0228072		MOTOR,HEATER,12V,2 SPEED,CW	<i>PART OF ITEM 1</i>
1D	2001279		NUT,HEX HD,10-24,YEL ZN DICH"	<i>PART OF ITEM 1</i>
1E	2001162		LOCKWASHER,SPLIT RING, 3/16,MED,YEL ZN	<i>PART OF ITEM 1</i>
2	0003210		PANEL,OUTLET,50M,UNDERSEAT HEATER,FMTD	
3	0003103		PANEL,WALL END,FLOOR MOUNTED HEATER	<i>ENDING WITH BSN F10020224, B10035319, L10032854 M10041329, X10009289</i>
3	0016889		PANEL,WALL END,FLOOR MOUNTED HEATER	<i>BEGIN WITH BSN F10020225, B10035320, L10032855, M10041330, X10009290</i>
4	0003012		PANEL,AISLE END,FLOOR MOUNTED HEATER	
5	0004135		HOUSING ASSY,50M U/S HTR,ALUM FIN COIL,	<i>ENDING WITH BSN F10020224, B10035319, L10032854 M10041329, X10009289</i>
5	0016913		HOUSING ASSY,50M BTU HEATER,FLOOR	<i>BEGIN WITH BSN F10020225, B10035320, L10032855, M10041330, X10009290</i>
6	1294099		COIL,HEATER,2 X 9 X 16.2,50M	
7	2003101	*	RUBBER,SPONGE,3/16 X 1/2 WITH PSA	

Models: AAFE, AARE, A3FE, A3RE, BBCV, C1FE, C4RE, MBWB, QBRE, SBCV, TCFE, TCRE, VCTA
UNDERSEAT HEATER
50,000 BTU
FLOOR MOUNTED
With: OPTION 1325, 1328, 1330, 1332, WITH 1348-01, 30060, 6127, 6147

Key	PartNumber	Qty	Description	Comment
8	2005718	*	LOOM,ASPHALTUM,WIRE,5/16IN	
9	0659177		PLATE,HEATER NAME,50M BTU	
10	1943695	20	SCREW,10-16X3/4,AB,PH1,PAN HD,BLK ZN	
11	0015894	4	FILTER,AIR,10.38 X 14.75,UNDERSEAT HEATER	<i>FILTER AIR, 10.38 X 14.75 U/S HEATER BEGIN WITH BSN F10020225, B10035320, L10032855, M10041330, X10009290 11/01/99</i>
12	2007409		TERMINAL,BUTT CONN,14-16GA,INSULATED	
13	1560754		SCREW,10-16 X 3/8,AB,PH1,PAN HD,BLK	
NI	0007252		SCREEN,SECURITY,U/S HEATER,50M BTU	<i>OPTION 3724-01</i>

Models: C4RE
UNDERSEAT HEATER
50,000 BTU
FLOOR MOUNTED
With: FEATURE 30060

Key	PartNumber	Qty	Description	Comment
-----	------------	-----	-------------	---------



Models: C4RE
UNDERSEAT HEATER
50,000 BTU
FLOOR MOUNTED
With: **FEATURE 30060**

Key	PartNumber	Qty	Description	Comment
NI	0016883		HEATER ASSY,50M BTU,FLOOR MOUNTED	<i>INCLUDES ALL PARTS LISTED ON THIS PAGE</i>
1	0007690		BLOWER ASSY,9 AMP MOTOR & FAN U/S HTR	
1A	2004307		FAN,10IN,HEATER,METAL,5 BLADE	<i>PART OF ITEM 1</i>
1B	0002956		HOUSING,10 IN FAN	<i>PART OF ITEM 1</i>
1C	0228072		MOTOR,HEATER,12V,2 SPEED,CW	<i>PART OF ITEM 1</i>
1D	2001279		NUT,HEX HD,10-24,YEL ZN DICH"	<i>PART OF ITEM 1</i>
1E	2001162		LOCKWASHER,SPLIT RING, 3/16,MED,YEL ZN	<i>PART OF ITEM 1</i>
2	0003210		PANEL,OUTLET,50M,UNDERSEAT HEATER,FMTD	
3	0016889		PANEL,WALL END,FLOOR MOUNTED HEATER	
4	0003012		PANEL,AISLE END,FLOOR MOUNTED HEATER	
5	0016913		HOUSING ASSY,50M BTU HEATER,FLOOR	
6	1294099		COIL,HEATER,2 X 9 X 16.2,50M	
7	2003101	*	RUBBER,SPONGE,3/16 X 1/2 WITH PSA	
8	2005718	*	LOOM,ASPHALTUM,WIRE,5/16IN	
9	0659177		PLATE,HEATER NAME,50M BTU	
10	1943695	20	SCREW,10-16X3/4,AB,PH1,PAN HD,BLK ZN	
11	0015894	4	FILTER,AIR,10.38 X 14.75,UNDERSEAT HEATER	
12	2007409	AR	TERMINAL,BUTT CONN,14-16GA,INSULATED	<i>FEATURE 30056-35, -36 ONLY</i>
12	1952282	AR	TERMINAL,BUTT CONN,STP DN,10-12/14-16,	
13	1560754		SCREW,10-16 X 3/8,AB,PH1,PAN HD,BLK	
NI	1868017		RELAY,POTTER BRUMFIELD VF4-15F11-S01	<i>FEATURE 30060-11, -15, -36</i>
NI	0042303		BREAKER,CIRC,BUSM-400,MAN RESET,25A	<i>FEATURE 30060-11, -15</i>
NI	0042301		BREAKER,CIRC,BUSM-400,MAN RESET,15A	<i>FEATURE 30060-35, -36</i>

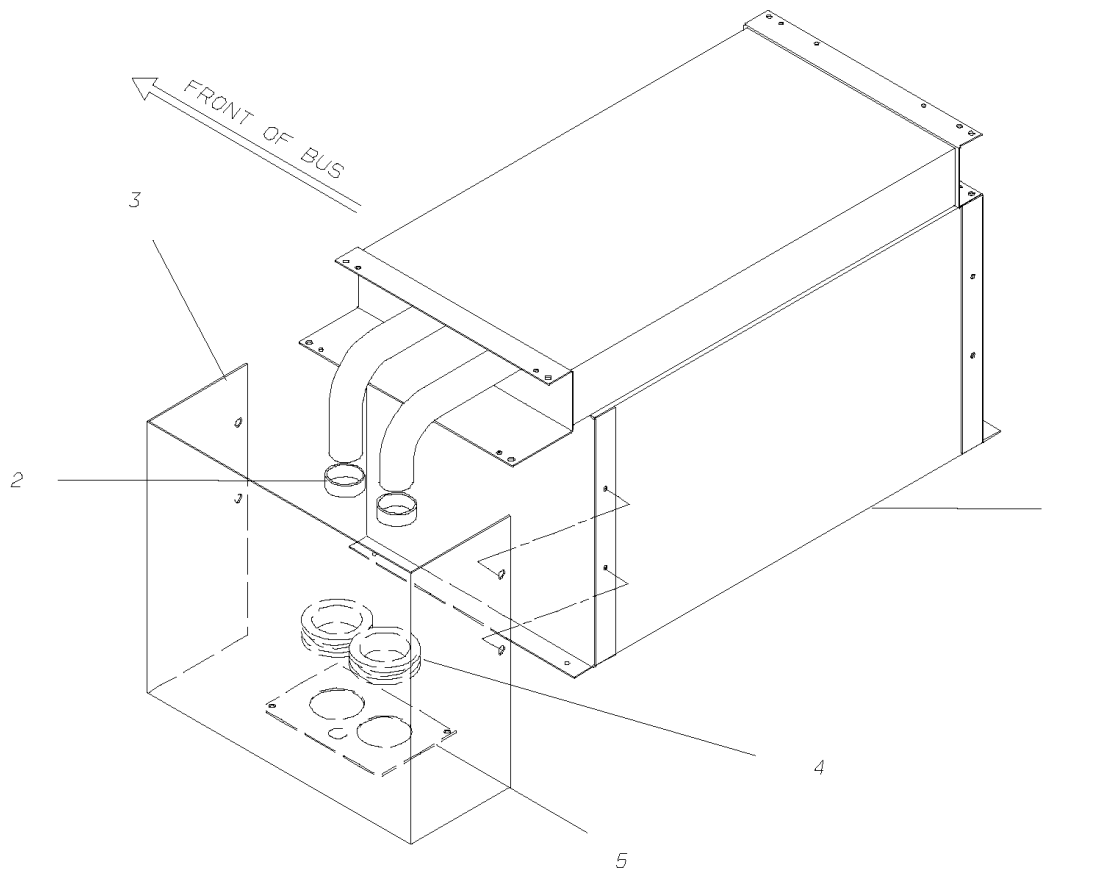
Models: C4RE
UNDERSEAT HEATER
50,000 BTU
FLOOR MOUNTED
With: **FEATURE 30060**

Key	PartNumber	Qty	Description	Comment
NI	0031583		HARNES,WRG,HEATERS,UNDERSEAT,440	<i>FEATURES 30060-11, -15</i>
NI	0031582		HARNES,WRG,HEATERS,UNDERSEAT,350	<i>FEATURE 30060-35</i>
NI	0031581		HARNES,WRG,HEATER,UNDER SEAT,210	<i>FEATURE 30060-36</i>
NI	2008522		CLAMP,1IN HOSE	

Models: C4RE
UNDERSEAT HEATER
50,000 BTU
FLOOR MOUNTED

Key	PartNumber	Qty	Description	Comment
-----	------------	-----	-------------	---------

FORWARD FACING SEAT HEATER INSTALLATION



Models: C4RE
UNDERSEAT HEATER
50,000 BTU
FLOOR MOUNTED

Key	PartNumber	Qty	Description	Comment
1	0016883		HEATER ASSY,50M BTU,FLOOR MOUNTED	
2	2008522		CLAMP,1IN HOSE	
3	0008219		COVER,HOSE,UNDERSEAT HEATER,QB	
4	2003176		GROMMET,HEATER HOSE,1 1/2IN ID	
5	0049423		PLATE,HEATER HOSE PROTECTOR, C4RE	
NI	1143676		SCREW,10-16 X 3/4, AB,PH1,PAN HD,BLK ZN,	

Models: A3FE, A3RE, BBCV, B1VC, B2VC, C4RE, GMCV, SBCV
**UNDERSEAT HEATER
 HEATER OPTION/USAGE**

Key	PartNumber	Qty	Description	Comment
			HEATER, 50K, LH FRONT, UNDERSEAT	<i>FEATURE 3006008</i>
	0069754		HEATER ASSY,50K BTU,UNDERSEAT,S/M,LH"	
	1059278	2	SPLINT,1IN HOSE BEND,90 DEGREE,4.5IN.RAD	
	1058379		TRIM,PIPE COVER,HEATER TO WALL,FRONT	
	1058361		TRIM,PIPE COVER,HEATER TO WALL,REAR	<i>WITH NO OTHER BODY HEATERS</i>
	1058387		TRIM,UNDERSEAT HEATER PIPE COVER,FRT,2	<i>WITH OTHER BODY HEATERS</i>
	0363143	2	COVER,HTR PIPE,54IN SECT	
			HEATER, 50K, LH, FRONT, FLOOR MTD	<i>FEATURE 3006009</i>
	0069758		HEATER ASSY,50K BTU,UNDERSEAT,F/M"	
	1059278	2	SPLINT,1IN HOSE BEND,90 DEGREE,4.5IN.RAD	
	1058379		TRIM,PIPE COVER,HEATER TO WALL,FRONT	
	1058361		TRIM,PIPE COVER,HEATER TO WALL,REAR	<i>WITH NO OTHER BODY HEATERS</i>
	1058387		TRIM,UNDERSEAT HEATER PIPE COVER,FRT,2	<i>WITH OTHER BODY HEATERS</i>
	0363143	2	COVER,HTR PIPE,54IN SECT	
			HEATER, 50K, LH, REAR, UNDERSEAT	<i>FEATURE 3006010</i>
	0069754		HEATER ASSY,50K BTU,UNDERSEAT,S/M,LH"	
	1059278	2	SPLINT,1IN HOSE BEND,90 DEGREE,4.5IN.RAD	
	1058379		TRIM,PIPE COVER,HEATER TO WALL,FRONT	
	1058361		TRIM,PIPE COVER,HEATER TO WALL,REAR	<i>WITH NO RH REAR BODY HEATERS</i>
	1058387		TRIM,UNDERSEAT HEATER PIPE COVER,FRT,2	<i>WITH REAR BODY HEATERS</i>
	1052752		COVER,WHEELHOUSING TO FLOOR,FRONT	
	1052695		TRIM,W/H HEATER HOSE COVER,FRONT,	<i>WITHOUT PLYWOOD FLOOR</i>
	1052711		TRIM,W/H HEATER HOSE COVER,FRONT,PLY	<i>WITH PLYWOOD FLOOR</i>

Models: A3FE, A3RE, BBCV, B1VC, B2VC, C4RE, GMCV, SBCV
**UNDERSEAT HEATER
 HEATER OPTION/USAGE**

Key	PartNumber	Qty	Description	Comment
	1052737		COVER,WHEELHOUSING HTR HOSE	
	1052703		TRIM,W/H HEATER HOSE COVER,REAR,	<i>WITHOUT PLYWOOD FLOOR</i>
	1052729		TRIM,W/H HEATER HOSE COVER,REAR,PLY	<i>FLOOR. WITH PLYWOOD FLOOR</i>
	1052760		COVER,FLOOR TO WHEELHOUSING,REAR	
	1053412	2	SUPPORT,W/H HEATER HOSE,FLOOR TO	
	0363143	AR	COVER,HTR PIPE,54IN SECT	
	1727932		INSULATION,HEATER COVER,WHEELHOUSING	
			HEATER, 50K, LH REAR, F/M	<i>FEATURE 3006011</i>
	0069758		HEATER ASSY,50K BTU,UNDERSEAT,F/M"	
	1059278	22	SPLINT,1IN HOSE BEND,90 DEGREE,4.5IN.RAD	
	1058379		TRIM,PIPE COVER,HEATER TO WALL,FRONT	<i>WITH NO RH REAR BODY HEATER</i>
	1058361		TRIM,PIPE COVER,HEATER TO WALL,REAR	<i>WITH /NO RH REAR BODY HEATERS</i>
	1058387		TRIM,UNDERSEAT HEATER PIPE COVER,FRT,2	<i>WITH REAR BODY HEATERS</i>
	1052752		COVER,WHEELHOUSING TO FLOOR,FRONT	
	1052695		TRIM,W/H HEATER HOSE COVER,FRONT,	<i>WITHOUT PLYWOOD FLOOR</i>
	1052711		TRIM,W/H HEATER HOSE COVER,FRONT,PLY	<i>WITH PLYWOOD FLOOR</i>
	1052737		COVER,WHEELHOUSING HTR HOSE	
	1052703		TRIM,W/H HEATER HOSE COVER,REAR,	<i>WITHOUT PLYWOOD FLOOR</i>
	1052729		TRIM,W/H HEATER HOSE COVER,REAR,PLY	<i>WITH PLYWOOD FLOOR</i>
	1052760		COVER,FLOOR TO WHEELHOUSING,REAR	
	1053412	2	SUPPORT,W/H HEATER HOSE,FLOOR TO	
	0363143	AR	COVER,HTR PIPE,54IN SECT	
	1727932		INSULATION,HEATER COVER,WHEELHOUSING	

Models: A3FE, A3RE, BBCV, B1VC, B2VC, C4RE, GMCV, SBCV
**UNDERSEAT HEATER
 HEATER OPTION/USAGE**

Key	PartNumber	Qty	Description	Comment
			HEATER, 50K, LH FRONT, U/S DUAL	<i>FEATURE 3006012</i>
	0069754		HEATER ASSY,50K BTU,UNDERSEAT,S/M,LH"	
	1059278	4	SPLINT,1IN HOSE BEND,90 DEGREE,4.5IN.RAD	
	1058379	2	TRIM,PIPE COVER,HEATER TO WALL,FRONT	
	1058361		TRIM,PIPE COVER,HEATER TO WALL,REAR	<i>WITH NO RH REAR BODY HEATER</i>
	1058387	AR	TRIM,UNDERSEAT HEATER PIPE COVER,FRT,2	
	1052752		COVER,WHEELHOUSING TO FLOOR,FRONT	
	1092980		TRIM,W/H,HEATER HOSE COVER,FRT STD	<i>STANDARD FLOOR</i>
	1052737		COVER,WHEELHOUSING HTR HOSE	
	1092998		TRIM,W/H,HEATER HOSE COVER,REAR,STD FLR,	<i>STANDARD FLOOR</i>
	1052760		COVER,FLOOR TO WHEELHOUSING,REAR	
	1053412	2	SUPPORT,W/H HEATER HOSE,FLOOR TO	
	0363143	3	COVER,HTR PIPE,54IN SECT	
	1727932		INSULATION,HEATER COVER,WHEELHOUSING	
			HEATER, 50K, LH, FRONT, F/M, DUAL	<i>FEATURE 3006013</i>
	0069758		HEATER ASSY,50K BTU,UNDERSEAT,F/M"	
	1059278	4	SPLINT,1IN HOSE BEND,90 DEGREE,4.5IN.RAD	
	1058379	2	TRIM,PIPE COVER,HEATER TO WALL,FRONT	
	1058361		TRIM,PIPE COVER,HEATER TO WALL,REAR	<i>WITH NO RH REAR BODY HEATER</i>
	1058387	AR	TRIM,UNDERSEAT HEATER PIPE COVER,FRT,2	
	1052752		COVER,WHEELHOUSING TO FLOOR,FRONT	
	1092980		TRIM,W/H,HEATER HOSE COVER,FRT STD	<i>STANDARD FLOOR</i>
	1052737		COVER,WHEELHOUSING HTR HOSE	

Models: A3FE, A3RE, BBCV, B1VC, B2VC, C4RE, GMCV, SBCV
UNDERSEAT HEATER
HEATER OPTION/USAGE

Key	PartNumber	Qty	Description	Comment
	1092998		TRIM,W/H,HEATER HOSE COVER,REAR,STD FLR,	<i>STANDARD FLOOR</i>
	1052760		COVER,FLOOR TO WHEELHOUSING,REAR	
	1053412	2	SUPPORT,W/H HEATER HOSE,FLOOR TO	
	0363143	3	COVER,HTR PIPE,54IN SECT	
	1727932		INSULATION,HEATER COVER,WHEELHOUSING	
			HEATER, 50K, RH, FRONT, U/S	<i>FEATURE 3006014</i>
	0069753		HEATER ASSY,50K BTU,UNDERSEAT,S/M,RH"	
	1059278	2	SPLINT,1IN HOSE BEND,90 DEGREE,4.5IN.RAD	
	1058387		TRIM,UNDERSEAT HEATER PIPE COVER,FRT,2	
	1058395		TRIM,UNDERSEAT HEATER PIPE COVER,REAR,	
	0363143	.5	COVER,HTR PIPE,54IN SECT	
			HEATER, 50K BTU, RH FRONT, FLOOR MOUNTED	<i>FEATURE 3006015</i>
	0069758		HEATER ASSY,50K BTU,UNDERSEAT,F/M"	
	1059278		SPLINT,1IN HOSE BEND,90 DEGREE,4.5IN.RAD	
	1058387		TRIM,UNDERSEAT HEATER PIPE COVER,FRT,2	
	1058395		TRIM,UNDERSEAT HEATER PIPE COVER,REAR,	
	0363143		COVER,HTR PIPE,54IN SECT	

Models: A3FE, A3RE, BBCV, B1VC, B2VC, C4RE, GMCV, SBCV
**UNDERSEAT HEATER
 HEATER OPTION/USAGE**

Key	PartNumber	Qty	Description	Comment
			HEATER, 50K, RH REAR, U/S	<i>FEATURE 3006016</i>
	0069753		HEATER ASSY,50K BTU,UNDERSEAT,S/M,RH"	
	1059278	2	SPLINT,1IN HOSE BEND,90 DEGREE,4.5IN.RAD	
	1058361		TRIM,PIPE COVER,HEATER TO WALL,REAR	
	1058379		TRIM,PIPE COVER,HEATER TO WALL,FRONT	
	0363143	.5	COVER,HTR PIPE,54IN SECT	
	1727932		INSULATION,HEATER COVER,WHEELHOUSING	
			HEATER, 50K, RH, REAR, F/M	<i>FEATURE 3006017</i>
	0069758		HEATER ASSY,50K BTU,UNDERSEAT,F/M"	
	1059278	2	SPLINT,1IN HOSE BEND,90 DEGREE,4.5IN.RAD	
	1058361		TRIM,PIPE COVER,HEATER TO WALL,REAR	
	1058379		TRIM,PIPE COVER,HEATER TO WALL,FRONT	
	0363143	.5	COVER,HTR PIPE,54IN SECT	
	1727932		INSULATION,HEATER COVER,WHEELHOUSING	
			HEATER, 80K, LH, FRONT, U/S	<i>FEATURE 3006018</i>
	0069752		HEATER ASSY,80K BTU,UNDERSEAT,S/M,LH"	
	1059278	2	SPLINT,1IN HOSE BEND,90 DEGREE,4.5IN.RAD	
	1058379		TRIM,PIPE COVER,HEATER TO WALL,FRONT	
	1058361		TRIM,PIPE COVER,HEATER TO WALL,REAR	<i>WITH NO OTHER BODY HEATERS</i>
	1058387		TRIM,UNDERSEAT HEATER PIPE COVER,FRT,2	<i>WITH OTHER BODY HEATERS</i>
	0363143	2	COVER,HTR PIPE,54IN SECT	
			HEATER, 80K, LH FRONT, F/M	<i>FEATURE 3006019</i>
	0069757		HEATER ASSY,80K BTU,UNDERSEAT,F/M"	

Models: A3FE, A3RE, BBCV, B1VC, B2VC, C4RE, GMCV, SBCV
**UNDERSEAT HEATER
 HEATER OPTION/USAGE**

Key	PartNumber	Qty	Description	Comment
	1059278	2	SPLINT,1IN HOSE BEND,90 DEGREE,4.5IN.RAD	
	1058379		TRIM,PIPE COVER,HEATER TO WALL,FRONT	
	1058361		TRIM,PIPE COVER,HEATER TO WALL,REAR	WITH NO OTHER BODY HEATERS
	1058387		TRIM,UNDERSEAT HEATER PIPE COVER,FRT,2	WITH OTHER BODY HEATERS
	0363143	2	COVER,HTR PIPE,54IN SECT	
			HEATER, 80K, LH, REAR, U/S	FEATURE 3006020
	0069752		HEATER ASSY,80K BTU,UNDERSEAT,S/M,LH"	
	1059278	2	SPLINT,1IN HOSE BEND,90 DEGREE,4.5IN.RAD	
	1058379		TRIM,PIPE COVER,HEATER TO WALL,FRONT	
	1058361		TRIM,PIPE COVER,HEATER TO WALL,REAR	WITH NO RH REAR BODY HEATER
	1058387		TRIM,UNDERSEAT HEATER PIPE COVER,FRT,2	WITH RH REAR BODY HEATER
	1052752		COVER,WHEELHOUSING TO FLOOR,FRONT	
	1052695		TRIM,W/H HEATER HOSE COVER,FRONT,	WITHOUT PLYWOOD FLOOR
	1052711		TRIM,W/H HEATER HOSE COVER,FRONT,PLY	WITH PLYWOOD FLOOR
	1052737		COVER,WHEELHOUSING HTR HOSE	
	1052703		TRIM,W/H HEATER HOSE COVER,REAR,	WITHOUT PLYWOOD FLOOR
	1052729		TRIM,W/H HEATER HOSE COVER,REAR,PLY	WITH PLYWOOD FLOOR
	1052760		COVER,FLOOR TO WHEELHOUSING,REAR	
	1053412		SUPPORT,W/H HEATER HOSE,FLOOR TO	
	0363143	AR	COVER,HTR PIPE,54IN SECT	
	1727932		INSULATION,HEATER COVER,WHEELHOUSING	

Models: A3FE, A3RE, BBCV, B1VC, B2VC, C4RE, GMCV, SBCV
**UNDERSEAT HEATER
 HEATER OPTION/USAGE**

Key	PartNumber	Qty	Description	Comment
			HEATER, 80K, LH, REAR, F/M	<i>FEATURE 3006021</i>
	0069757		HEATER ASSY,80K BTU,UNDERSEAT,F/M"	
	1059278	2	SPLINT,1IN HOSE BEND,90 DEGREE,4.5IN.RAD	
	1058379		TRIM,PIPE COVER,HEATER TO WALL,FRONT	<i>WITH NO RH REAR BODY HEATER</i>
	1058361		TRIM,PIPE COVER,HEATER TO WALL,REAR	<i>WITH RH REAR BODY HEATER</i>
	1058387		TRIM,UNDERSEAT HEATER PIPE COVER,FRT,2	
	1052752		COVER,WHEELHOUSING TO FLOOR,FRONT	
	1052695		TRIM,W/H HEATER HOSE COVER,FRONT,	<i>WITHOUT PLYWOOD FLOOR</i>
	1052711		TRIM,W/H HEATER HOSE COVER,FRONT,PLY	<i>WITH PLYWOOD FLOOR</i>
	1052737		COVER,WHEELHOUSING HTR HOSE	
	1052703		TRIM,W/H HEATER HOSE COVER,REAR,	<i>WITHOUT PLYWOOD FLOOR</i>
	1052729		TRIM,W/H HEATER HOSE COVER,REAR,PLY	<i>WITH PLYWOOD FLOOR</i>
	1052760		COVER,FLOOR TO WHEELHOUSING,REAR	
	1053412	AR	SUPPORT,W/H HEATER HOSE,FLOOR TO	
	0363143		COVER,HTR PIPE,54IN SECT	
	1727932		INSULATION,HEATER COVER,WHEELHOUSING	
			HEATER, 80K, LH, FRONT, U/S, DUAL	<i>FEATURE 3006022</i>
	0069755		HEATER ASSY,80K BTU,UNDERSEAT,S/M,LH,KY	
	1059278	4	SPLINT,1IN HOSE BEND,90 DEGREE,4.5IN.RAD	
	1058379	2	TRIM,PIPE COVER,HEATER TO WALL,FRONT	
	1058361		TRIM,PIPE COVER,HEATER TO WALL,REAR	<i>WITH NO REAR BODY HEATER</i>
	1058387	AR	TRIM,UNDERSEAT HEATER PIPE COVER,FRT,2	
	1052752		COVER,WHEELHOUSING TO FLOOR,FRONT	

Models: A3FE, A3RE, BBCV, B1VC, B2VC, C4RE, GMCV, SBCV
**UNDERSEAT HEATER
 HEATER OPTION/USAGE**

Key	PartNumber	Qty	Description	Comment
	1092980		TRIM,W/H,HEATER HOSE COVER,FRT STD	STANDARD FLOOR
	1052737		COVER,WHEELHOUSING HTR HOSE	
	1092998		TRIM,W/H,HEATER HOSE COVER,REAR,STD FLR,	STANDARD FLOOR
	1052760		COVER,FLOOR TO WHEELHOUSING,REAR	
	1053412	2	SUPPORT,W/H HEATER HOSE,FLOOR TO	
	0363143	3	COVER,HTR PIPE,54IN SECT	
	1727932		INSULATION,HEATER COVER,WHEELHOUSING	
			HEATER, 80K, LH, FRONT, F/M, DUAL	FEATURE 3006023
	0069757		HEATER ASSY,80K BTU,UNDERSEAT,F/M"	
	1059278	4	SPLINT,1IN HOSE BEND,90 DEGREE,4.5IN.RAD	
	1058379	2	TRIM,PIPE COVER,HEATER TO WALL,FRONT	
	1058361		TRIM,PIPE COVER,HEATER TO WALL,REAR	WITH NO RH REAR BODY HEATER
	1058387	AR	TRIM,UNDERSEAT HEATER PIPE COVER,FRT,2	
	1052752		COVER,WHEELHOUSING TO FLOOR,FRONT	
	1092980		TRIM,W/H,HEATER HOSE COVER,FRT STD	STANDARD FLOOR
	1052737		COVER,WHEELHOUSING HTR HOSE	
	1092998		TRIM,W/H,HEATER HOSE COVER,REAR,STD FLR,	STANDARD FLOOR
	1052760		COVER,FLOOR TO WHEELHOUSING,REAR	
	1053412	2	SUPPORT,W/H HEATER HOSE,FLOOR TO	
	0363143	3	COVER,HTR PIPE,54IN SECT	
	1727932		INSULATION,HEATER COVER,WHEELHOUSING	

Models: A3FE, A3RE, BBCV, B1VC, B2VC, C4RE, GMCV, SBCV
**UNDERSEAT HEATER
 HEATER OPTION/USAGE**

Key	PartNumber	Qty	Description	Comment
			HEATER, 80K, RH, FRONT, U/S	<i>FEATURE 3006024</i>
	0069751		HEATER ASSY,80K BTU,UNDERSEAT,S/M,RH"	
	1059278	2	SPLINT,1IN HOSE BEND,90 DEGREE,4.5IN.RAD	
	1058387		TRIM,UNDERSEAT HEATER PIPE COVER,FRT,2	
	1058395		TRIM,UNDERSEAT HEATER PIPE COVER,REAR,	
	0363143	.5	COVER,HTR PIPE,54IN SECT	
			HEATER, 80K, RH, FRONT, F/M	<i>FEATURE 3006025</i>
	0069757		HEATER ASSY,80K BTU,UNDERSEAT,F/M"	
	1059278		SPLINT,1IN HOSE BEND,90 DEGREE,4.5IN.RAD	
	1058387		TRIM,UNDERSEAT HEATER PIPE COVER,FRT,2	
	1058395		TRIM,UNDERSEAT HEATER PIPE COVER,REAR,	
	0363143	.5	COVER,HTR PIPE,54IN SECT	
			HEATER, 80K, RH, REAR, U/S	<i>FEATURE 3006026</i>
	0069751		HEATER ASSY,80K BTU,UNDERSEAT,S/M,RH"	
	1059278	2	SPLINT,1IN HOSE BEND,90 DEGREE,4.5IN.RAD	
	1058361		TRIM,PIPE COVER,HEATER TO WALL,REAR	
	1058379		TRIM,PIPE COVER,HEATER TO WALL,FRONT	
	0363143	.5	COVER,HTR PIPE,54IN SECT	
	1727932		INSULATION,HEATER COVER,WHEELHOUSING	
			HEATER, 80K, RH REAR, F/M	<i>FEATURE 3006027</i>
	0069757		HEATER ASSY,80K BTU,UNDERSEAT,F/M"	
	1059278	2	SPLINT,1IN HOSE BEND,90 DEGREE,4.5IN.RAD	
	1058361		TRIM,PIPE COVER,HEATER TO WALL,REAR	

Models: A3FE, A3RE, BBCV, B1VC, B2VC, C4RE, GMCV, SBCV
**UNDERSEAT HEATER
 HEATER OPTION/USAGE**

Key	PartNumber	Qty	Description	Comment
	1058379		TRIM,PIPE COVER,HEATER TO WALL,FRONT	
	0363143	.5	COVER,HTR PIPE,54IN SECT	
	1727932		INSULATION,HEATER COVER,WHEELHOUSING	
			HEATER, 80K, LH, REAR, U/S, KY	FEATURE 3006033
	0069755		HEATER ASSY,80K BTU,UNDERSEAT,S/M,LH,KY	
	1059278	2	SPLINT,1IN HOSE BEND,90 DEGREE,4.5IN.RAD	
	1058379		TRIM,PIPE COVER,HEATER TO WALL,FRONT	
	1058361		TRIM,PIPE COVER,HEATER TO WALL,REAR	WITH NO RH REAR BODY HEATER
	1058387		TRIM,UNDERSEAT HEATER PIPE COVER,FRT,2	WITH RH REAR BODY HEATER
	1052752		COVER,WHEELHOUSING TO FLOOR,FRONT	
	1092980		TRIM,W/H,HEATER HOSE COVER,FRT STD	STANDARD FLOOR
	1052737		COVER,WHEELHOUSING HTR HOSE	
	1092998		TRIM,W/H,HEATER HOSE COVER,REAR,STD FLR,	STANDARD FLOOR
	1052760		COVER,FLOOR TO WHEELHOUSING,REAR	
	1053412	2	SUPPORT,W/H HEATER HOSE,FLOOR TO	
	0363143	AR	COVER,HTR PIPE,54IN SECT	
	1727932		INSULATION,HEATER COVER,WHEELHOUSING	

Models: A3FE, A3RE, BBCV, B1VC, B2VC, C4RE, GMCV, SBCV
**UNDERSEAT HEATER
 HEATER OPTION/USAGE**

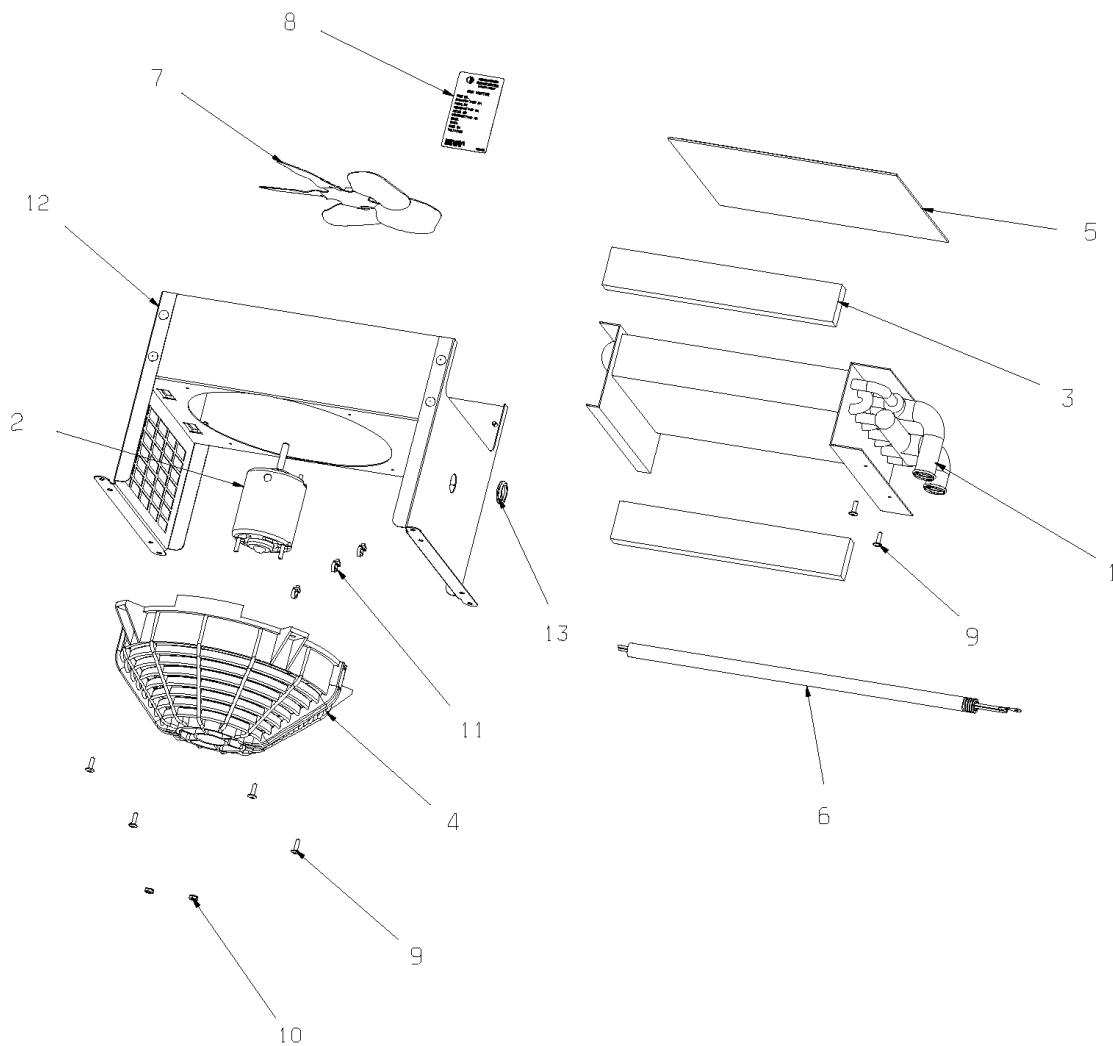
Key	PartNumber	Qty	Description	Comment
			HEATER, 80K, LH, REAR, F/M, KY	<i>FEATURE 3006034</i>
	0069757		HEATER ASSY,80K BTU,UNDERSEAT,F/M"	
	1059278	2	SPLINT,1IN HOSE BEND,90 DEGREE,4.5IN.RAD	
	1058379		TRIM,PIPE COVER,HEATER TO WALL,FRONT	
	1058361		TRIM,PIPE COVER,HEATER TO WALL,REAR	<i>WITH NO RH REAR BODY HEATER</i>
	1058387		TRIM,UNDERSEAT HEATER PIPE COVER,FRT,2	<i>WITH RH REAR BODY HEATER</i>
	1052752		COVER,WHEELHOUSING TO FLOOR,FRONT	
	1092980		TRIM,W/H,HEATER HOSE COVER,FRT STD	<i>STANDARD FLOOR</i>
	1052737		COVER,WHEELHOUSING HTR HOSE	
	1092998		TRIM,W/H,HEATER HOSE COVER,REAR,STD FLR,	<i>STANDARD FLOOR</i>
	1052760		COVER,FLOOR TO WHEELHOUSING,REAR	
	1053412	2	SUPPORT,W/H HEATER HOSE,FLOOR TO	
	0363143	AR	COVER,HTR PIPE,54IN SECT	
	1727932		INSULATION,HEATER COVER,WHEELHOUSING	

Models: A3FE, A3RE, BBCV, B1VC, B2VC, C4RE, GMCV, SBCV
**UNDERSEAT HEATER
 HEATER OPTION/USAGE**

Key	PartNumber	Qty	Description	Comment
			ADD THE FOLLOWING TO TRANSIT UNITS WITH	
			DOES NOT APPLY TO FLAT FLOOR UNITS	30060-08 THRU 30060-29
	1052760		COVER,FLOOR TO WHEELHOUSING,REAR	
	1052703		TRIM,W/H HEATER HOSE COVER,REAR,	WITHOUT PLYWOOD FLOOR
	1052729		TRIM,W/H HEATER HOSE COVER,REAR,PLY	WITH PLYWOOD FLOOR
	1052737		COVER,WHEELHOUSING HTR HOSE	
	1727932		INSULATION,HEATER COVER,WHEELHOUSING	
	1053412		SUPPORT,W/H HEATER HOSE,FLOOR TO	
	1404227		COVER,HTR PIPE,FRONT W/H,TCFC	TCFE
	0001211		COVER,HEATER PIPE,FRT W/H,DRFL	A3FE
	1407014		COVER,ACCESS,HOSE CLAMP,US HEATER,TCFC	FORWARD ENGINE
	1528439		SEAL,HEATER HOSE/ FIREWALL	FORWARD ENGINE
	1489434	AR	TRIM,VINYL,BLACK,DOUBLE LIP	FORWARD ENGINE
	1904275		COVER,HTR PIPE,FRONT W/H	WITHOUT PLYWOOD FLOOR
	0006340		COVER,HTR PIPE,FRONT W/H,PLY FLR,DRRE	WITH PLYWOOD FLOOR
	1766799		COVER,HTR PIPE,FRONT WHEELHOUSING,RH	WITHOUT PLYWOOD FLOOR
	1766781		COVER,HTR PIPE,FRONT W/H,PLY FLOOR RH	WITH PLYWOOD FLOOR
	1056050		COVER,ACCESS,HOSE CLAMP,U/S HEATER	REAR ENGINE
	1619691		CONNECTOR ASSY,HTR PIPE,FRONT W/H	REAR ENGINE
	0007060		CONNECTOR ASSY,HTR PIPE,TWO OFST 90	REAR ENGINE

Models: A3FE, A3RE, BBCV, B1VC, B2VC, C4RE, GMCV, SBCV
UNDERSEAT HEATER BERGSTROM
50,000 BTU
FLOOR MOUNTED, LH

Key	PartNumber	Qty	Description	Comment
-----	------------	-----	-------------	---------

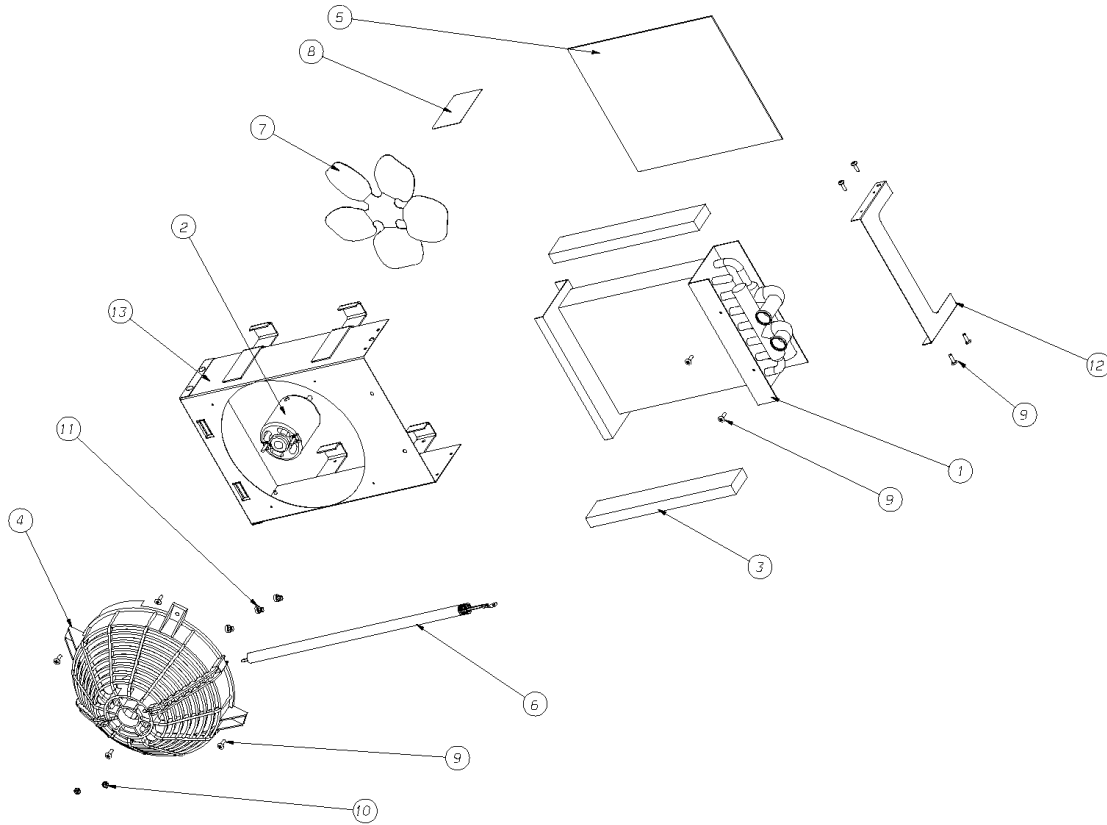


**Models: A3FE, A3RE, BBCV, B1VC, B2VC, C4RE, GMCV, SBCV
 UNDERSEAT HEATER BERGSTROM
 50,000 BTU
 FLOOR MOUNTED, LH**

Key	PartNumber	Qty	Description	Comment
	0069758		HEATER ASSY,50K BTU,UNDERSEAT,F/M"	
1	0070764		COIL,HEATER,50K U/S,BERGSTROM	
2	0057157	2	MOTOR,HEATER,12V 2SPD CW, EXTERNAL	
3			GASKETS, SPACER	
4	0070769		GUARD,FAN,U/S HEATER,BERGSTROM"	
5	0070771	2	FILTER,AIR,50K,U/S HEATER,BERGSTROM"	
6			CONVOLUTED CONDUIT, SPLIT	
7	2004307	2	FAN,10IN,HEATER,METAL,5 BLADE	
8	0035865		DECAL,NAME,BTU,BERGSTROM,OPT 1341	
9		10	SCREW, NO 10 TRUSS HEAD	
10		2	LOCKNUT NO 10-32	
11		3	TIE CABLE	
12			SIDE, TUBE SIDE	
13	0071094		WELDMENT,CASE,LH,50K U/S,FLOOR MT,	

Models: A3FE, A3RE, BBCV, B1VC, B2VC, C4RE, GMCV, SBCV
 UNDERSEAT HEATER BERGSTROM
 50,000 BTU
 SEAT MOUNTED RH

Key	PartNumber	Qty	Description	Comment
-----	------------	-----	-------------	---------

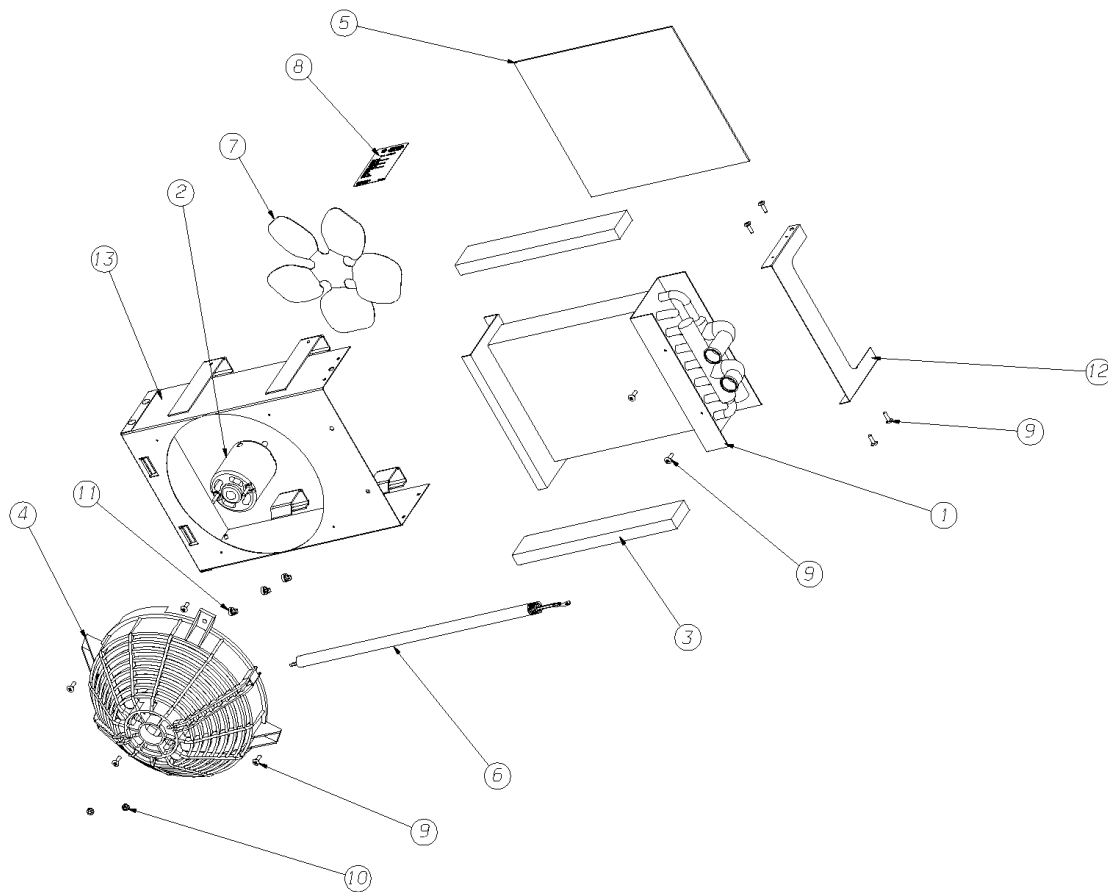


Models: A3FE, A3RE, BBCV, B1VC, B2VC, C4RE, GMCV, SBCV
UNDERSEAT HEATER BERGSTROM
50,000 BTU
SEAT MOUNTED RH

Key	PartNumber	Qty	Description	Comment
	0069753		HEATER ASSY,50K BTU,UNDERSEAT,S/M,RH"	CONSISTS OF THE FOLLOWING
1	0070764		COIL,HEATER,50K U/S,BERGSTROM	
2	0057157	2	MOTOR,HEATER,12V 2SPD CW, EXTERNAL	
3			GASKETS, SPACER	
4	0070769		GUARD,FAN,U/S HEATER,BERGSTROM"	
5	0070771		FILTER,AIR,50K,U/S HEATER,BERGSTROM"	
6			CONVOLUTED CONDUIT, SPLIT	
7	2004307		FAN,10IN,HEATER,METAL,5 BLADE	
8	0035865		DECAL,NAME,BTU,BERGSTROM,OPT 1341	
9		10	SCREW, NO 10 TRUSS HEAD	
10		2	LOCKNUT NO 10-32	
11		3	TIE CABLE	
12			SIDE, TUBE SIDE	
13	0070768		WELDMENT,CASE,RH,50K U/S,BERGSTROM	

Models: A3FE, A3RE, BBCV, B1VC, B2VC, C4RE, GMCV, SBCV
UNDERSEAT HEATER BERGSTROM
50,000 BTU
SEAT MOUNTED, LH

Key	PartNumber	Qty	Description	Comment
-----	------------	-----	-------------	---------

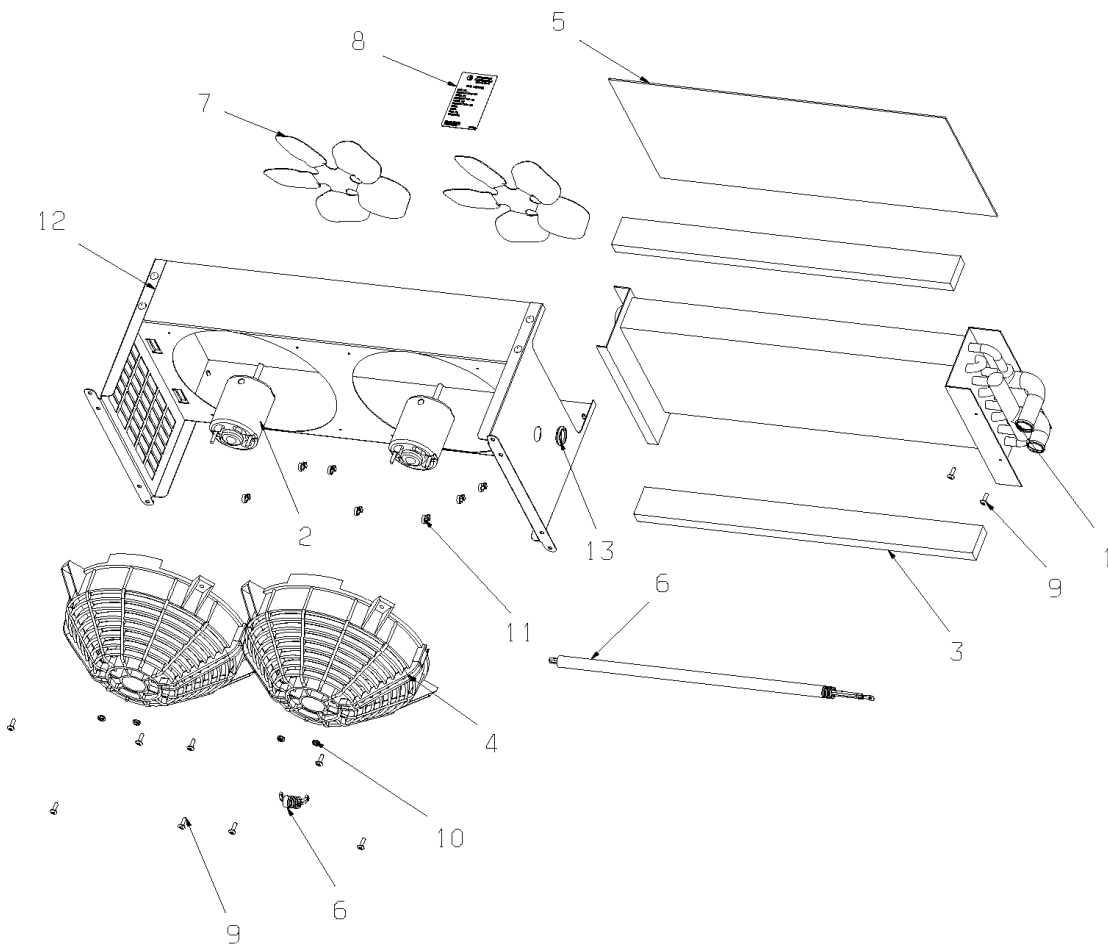


**Models: A3FE, A3RE, BBCV, B1VC, B2VC, C4RE, GMCV, SBCV
 UNDERSEAT HEATER BERGSTROM
 50,000 BTU
 SEAT MOUNTED, LH**

Key	PartNumber	Qty	Description	Comment
	0069754		HEATER ASSY,50K BTU,UNDERSEAT,S/M,LH"	
1	0070764		COIL,HEATER,50K U/S,BERGSTROM	
2	0057157	2	MOTOR,HEATER,12V 2SPD CW, EXTERNAL	
3			GASKETS, SPACER	
4	0070769		GUARD,FAN,U/S HEATER,BERGSTROM"	
5	0070771		FILTER,AIR,50K,U/S HEATER,BERGSTROM"	
6			CONVOLUTED CONDUIT, SPLIT	
7	2004307		FAN,10IN,HEATER,METAL,5 BLADE	
8	0035865		DECAL,NAME,BTU,BERGSTROM,OPT 1341	
9		10	SCREW, NO 10 TRUSS HEAD	
10		2	LOCKNUT NO 10-32	
11		3	TIE CABLE	
12			SIDE, TUBE SIDE	
13	0070767		WELDMENT,CASE,LH,50K U/S,BERGSTROM	

**Models: A3FE, A3RE, BBCV, B1VC, B2VC, C4RE, GMCV, SBCV
 UNDERSEAT HEATER BERGSTROM
 80,000 BTU
 FLOOR MOUNTED, LH**

Key	PartNumber	Qty	Description	Comment
-----	------------	-----	-------------	---------

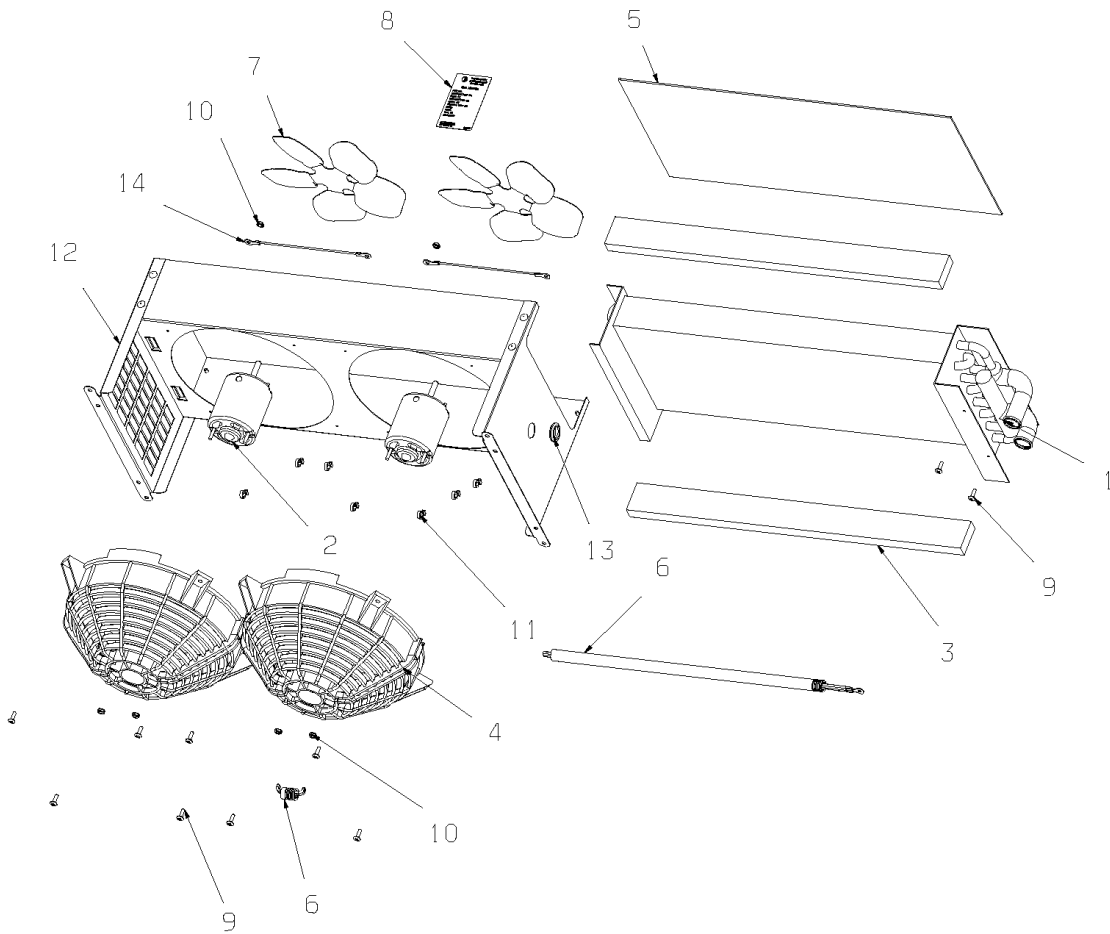


Models: A3FE, A3RE, BBCV, B1VC, B2VC, C4RE, GMCV, SBCV
UNDERSEAT HEATER BERGSTROM
80,000 BTU
FLOOR MOUNTED, LH

Key	PartNumber	Qty	Description	Comment
	0069757		HEATER ASSY,80K BTU,UNDERSEAT,F/M"	
1	0070762		COIL,HEATER,80K U/S,BERGSTROM	
2	0057157	2	MOTOR,HEATER,12V 2SPD CW, EXTERNAL	
3			GASKETS, SPACER	
4	0070769		GUARD,FAN,U/S HEATER,BERGSTROM"	
5	0070770	2	FILTER,AIR,80K,U/S HEATER,BERGSTROM"	
6			CONVOLUTED CONDUIT, SPLIT	
7	2004307	2	FAN,10IN,HEATER,METAL,5 BLADE	
8	0035865		DECAL,NAME,BTU,BERGSTROM,OPT 1341	
9		10	SCREW, NO 10 TRUSS HEAD	
10		2	LOCKNUT NO 10-32	
11		3	TIE CABLE	
12			SIDE, TUBE SIDE	
13	0071095		WELDMENT,CASE,LH,80K U/S,FLOOR MTD,	

Models: A3FE, A3RE, BBCV, B1VC, B2VC, C4RE, GMCV, SBCV
 UNDERSEAT HEATER BERGSTROM
 80,000 BTU
 FLOOR MOUNTED, LH, KENTUCKY

Key	PartNumber	Qty	Description	Comment
-----	------------	-----	-------------	---------

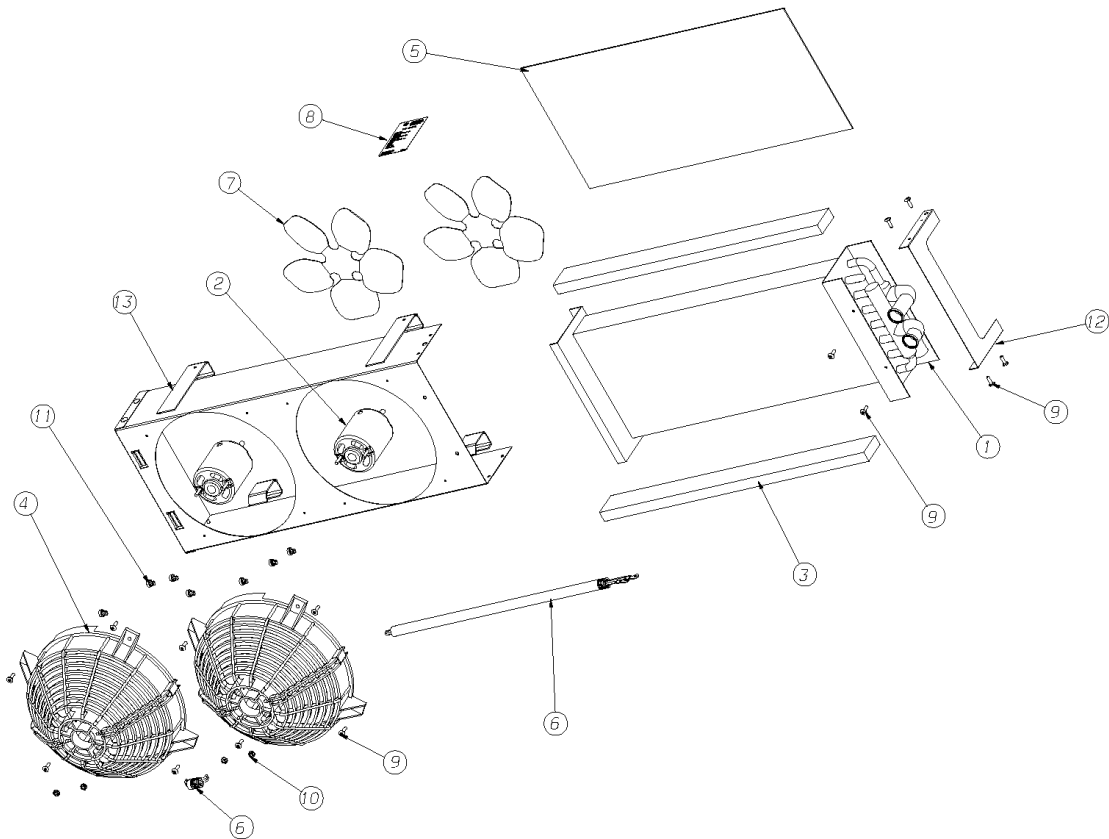


**Models: A3FE, A3RE, BBCV, B1VC, B2VC, C4RE, GMCV, SBCV
 UNDERSEAT HEATER BERGSTROM
 80,000 BTU
 FLOOR MOUNTED, LH, KENTUCKY**

Key	PartNumber	Qty	Description	Comment
	0069756		HEATER ASSY,80K BTU,UNDERSEAT,F/M,LH,KY	
1	0070762		COIL,HEATER,80K U/S,BERGSTROM	
2	0159723	2	MOTOR,HEATER,CW-4 AMP	
3			GASKETS, SPACER	
4	0070769		GUARD,FAN,U/S HEATER,BERGSTROM"	
5	0070770	2	FILTER,AIR,80K,U/S HEATER,BERGSTROM"	
6			CONVOLUTED CONDUIT, SPLIT	
7	2004307	2	FAN,10IN,HEATER,METAL,5 BLADE	
8	0035865		DECAL,NAME,BTU,BERGSTROM,OPT 1341	
9		10	SCREW, NO 10 TRUSS HEAD	
10		2	LOCKNUT NO 10-32	
11		3	TIE CABLE	
12			SIDE, TUBE SIDE	
13	0071095		WELDMENT,CASE,LH,80K U/S,FLOOR MTD,	
14	0071093		WIRE ASSY,GROUND,KY,U/S,BERGSTROM	

Models: A3FE, A3RE, BBCV, B1VC, B2VC, C4RE, GMCV, SBCV
 UNDERSEAT HEATER BERGSTROM
 80,000 BTU
 SEAT MOUNTED LH

Key	PartNumber	Qty	Description	Comment
-----	------------	-----	-------------	---------

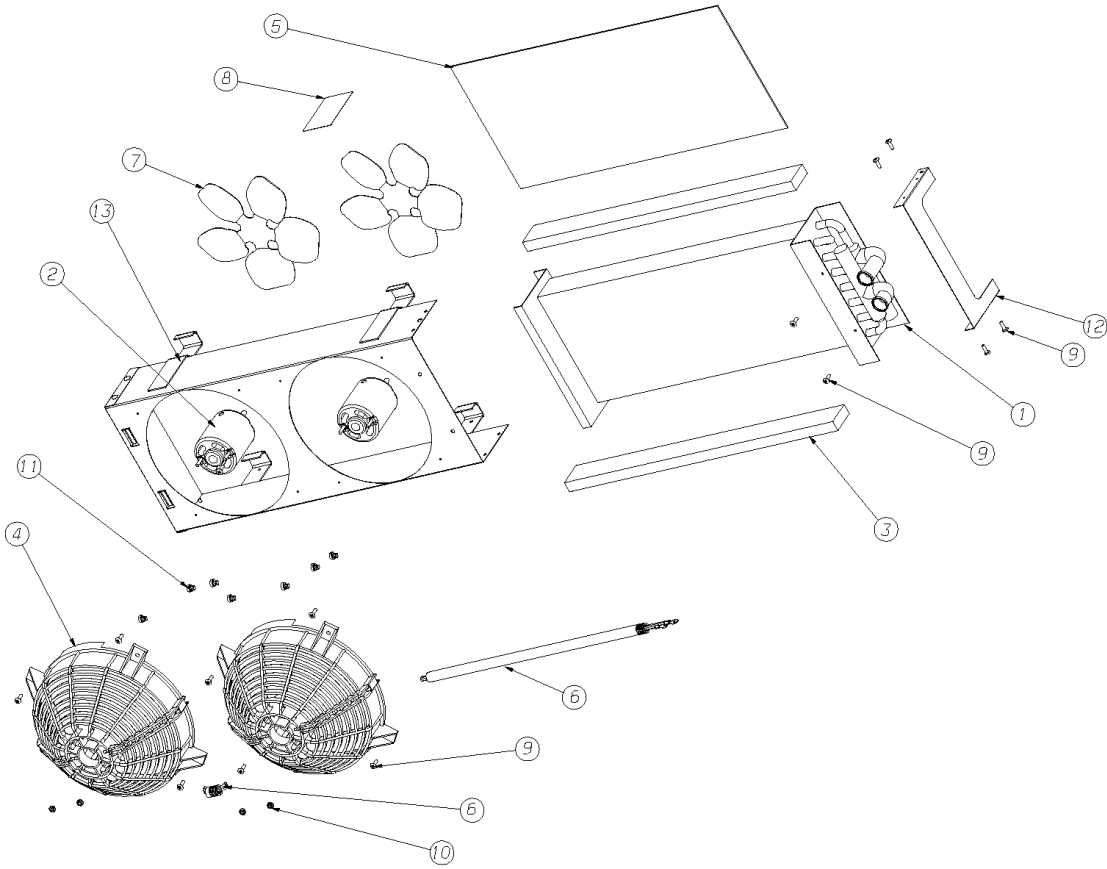


Models: A3FE, A3RE, BBCV, B1VC, B2VC, C4RE, GMCV, SBCV
UNDERSEAT HEATER BERGSTROM
80,000 BTU
SEAT MOUNTED LH

Key	PartNumber	Qty	Description	Comment
	0069752		HEATER ASSY,80K BTU,UNDERSEAT,S/M,LH"	CONSISTS OF THE FOLLOWING
1	0070762		COIL,HEATER,80K U/S,BERGSTROM	
2	0057157	2	MOTOR,HEATER,12V 2SPD CW, EXTERNAL	
3		2	GASKETS, SPACER	
4	0070769	2	GUARD,FAN,U/S HEATER,BERGSTROM"	
5	0070770		FILTER,AIR,80K,U/S HEATER,BERGSTROM"	
6			CONVOLUTED CONDUIT, SPLIT	
7	2004307	2	FAN,10IN,HEATER,METAL,5 BLADE	
8	0035865		DECAL,NAME,BTU,BERGSTROM,OPT 1341	
9		14	SCREW, NO 10 TRUSS HEAD	
10		4	LOCKNUT, NO 10-32	
11		7	TIE CABLE	
12			SIDE, TUBE SIDE	
13	0070765		WELDMENT,CASE,LH,80K U/S,BERGSTROM	

Models: A3FE, A3RE, BBCV, B1VC, B2VC, C4RE, GMCV, SBCV
UNDERSEAT HEATER BERGSTROM
80,000 BTU
SEAT MOUNTED RH

Key	PartNumber	Qty	Description	Comment
-----	------------	-----	-------------	---------

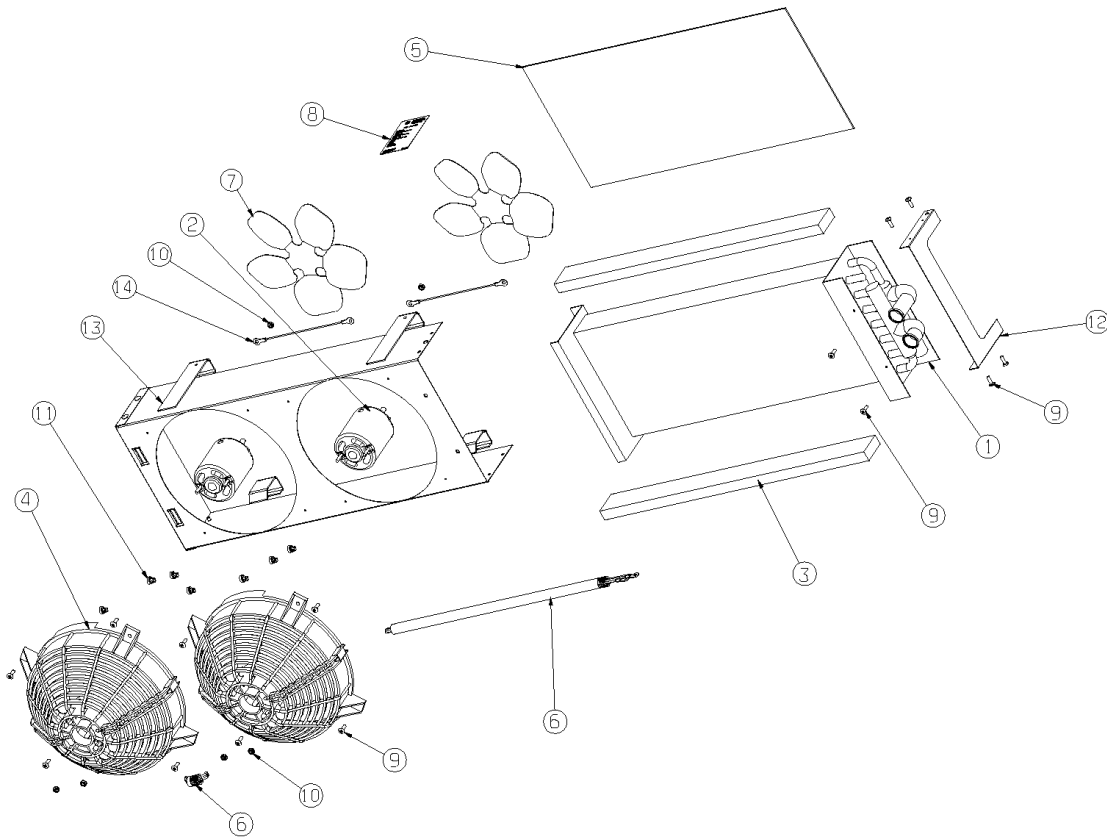


Models: A3FE, A3RE, BBCV, B1VC, B2VC, C4RE, GMCV, SBCV
UNDERSEAT HEATER BERGSTROM
80,000 BTU
SEAT MOUNTED RH

Key	PartNumber	Qty	Description	Comment
	0069751		HEATER ASSY,80K BTU,UNDERSEAT,S/M,RH"	CONSISTS OF THE FOLLOWING
1	0070762		COIL,HEATER,80K U/S,BERGSTROM	
2	0057157	2	MOTOR,HEATER,12V 2SPD CW, EXTERNAL	
3		2	GASKET, SPACER	
4	0070769	2	GUARD,FAN,U/S HEATER,BERGSTROM"	
5	0070770		FILTER,AIR,80K,U/S HEATER,BERGSTROM"	
6			CONVOLUTED CONDUIT, SPLIT	
7	2004307	2	FAN,10IN,HEATER,METAL,5 BLADE	
8	0035865		DECAL,NAME,BTU,BERGSTROM,OPT 1341	
9		14	SCREW, NO. 10 TRUSS HEAD	
10		4	LOCKNUT, NO 10-32	
11		7	TIE CABLE	
12			SIDE, TUBE SIDE	
13	0070766		WELDMENT,CASE,RH,80K U/S,BERGSTROM	

Models: A3FE, A3RE, BBCV, B1VC, B2VC, C4RE, GMCV, SBCV
UNDERSEAT HEATER BERGSTROM
80,000 BTU
SEAT MOUNTED, LH, KENTUCKY

Key	PartNumber	Qty	Description	Comment
-----	------------	-----	-------------	---------



Models: A3FE, A3RE, BBCV, B1VC, B2VC, C4RE, GMCV, SBCV
UNDERSEAT HEATER BERGSTROM
80,000 BTU
SEAT MOUNTED, LH, KENTUCKY

Key	PartNumber	Qty	Description	Comment
	0069755		HEATER ASSY,80K BTU,UNDERSEAT,S/M,LH,KY	
1	0070762		COIL,HEATER,80K U/S,BERGSTROM	
2	0057157	2	MOTOR,HEATER,12V 2SPD CW, EXTERNAL	
3			GASKETS, SPACER	
4	0070769		GUARD,FAN,U/S HEATER,BERGSTROM"	
5	0070770	2	FILTER,AIR,80K,U/S HEATER,BERGSTROM"	
6			CONVOLUTED CONDUIT, SPLIT	
7	2004307	2	FAN,10IN,HEATER,METAL,5 BLADE	
8	0035865		DECAL,NAME,BTU,BERGSTROM,OPT 1341	
9		10	SCREW, NO 10 TRUSS HEAD	
10		2	LOCKNUT NO 10-32	
11		3	TIE CABLE	
12			SIDE, TUBE SIDE	
13	0070765		WELDMENT,CASE,LH,80K U/S,BERGSTROM	
14	0071093		WIRE ASSY,GROUND,KY,U/S,BERGSTROM	