

Body

400 Windshield Wipers

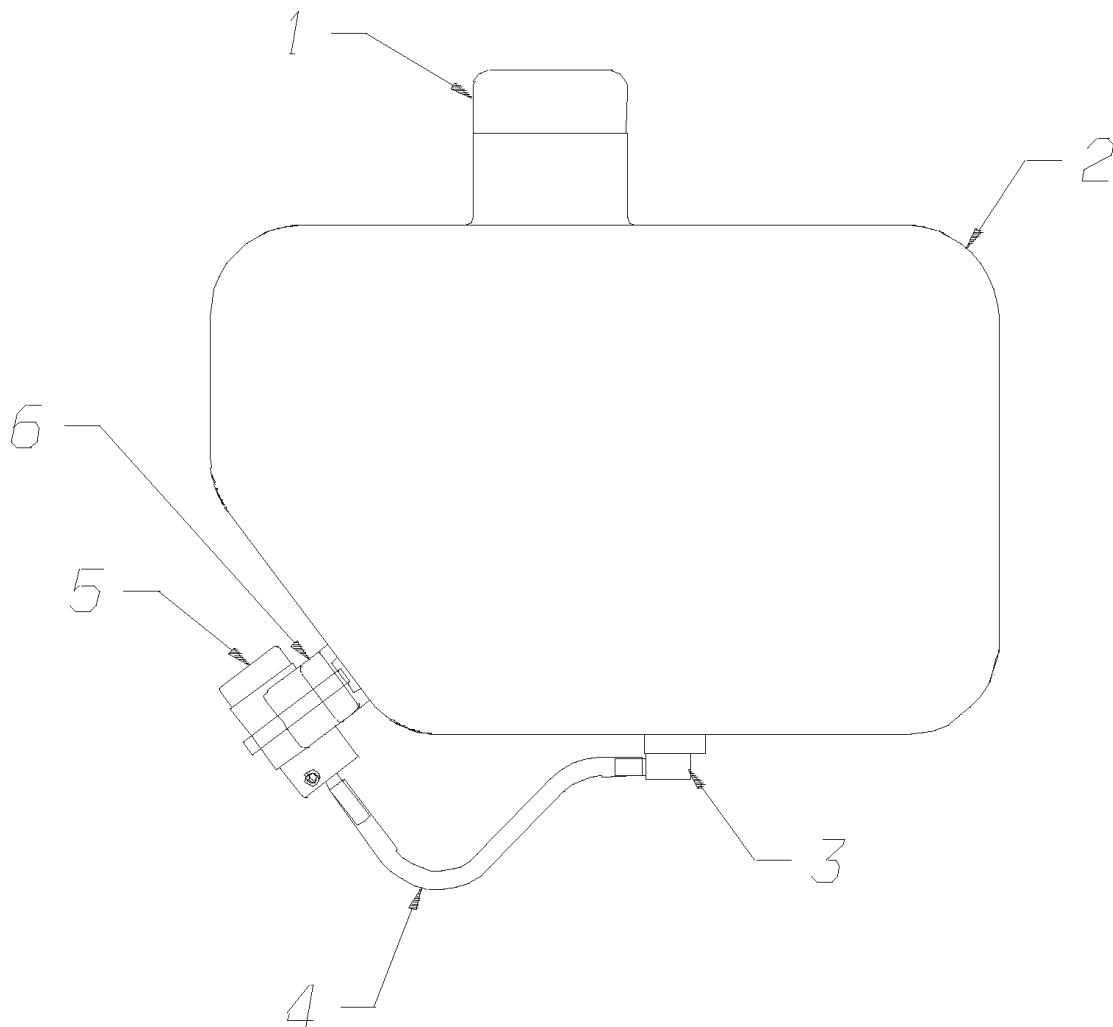
WASHER RESERVOIR

WIPERS & MOTOR 1

2

Models: C4RE
WASHER RESERVOIR

Key	PartNumber	Qty	Description	Comment
-----	------------	-----	-------------	---------

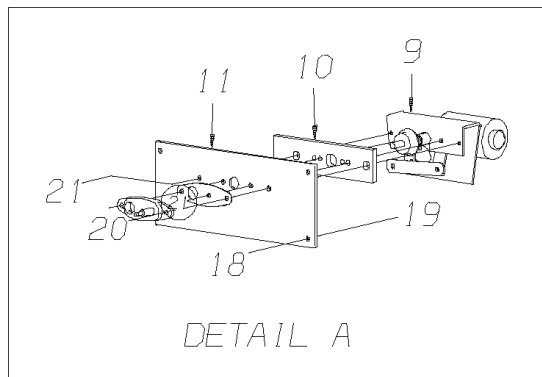
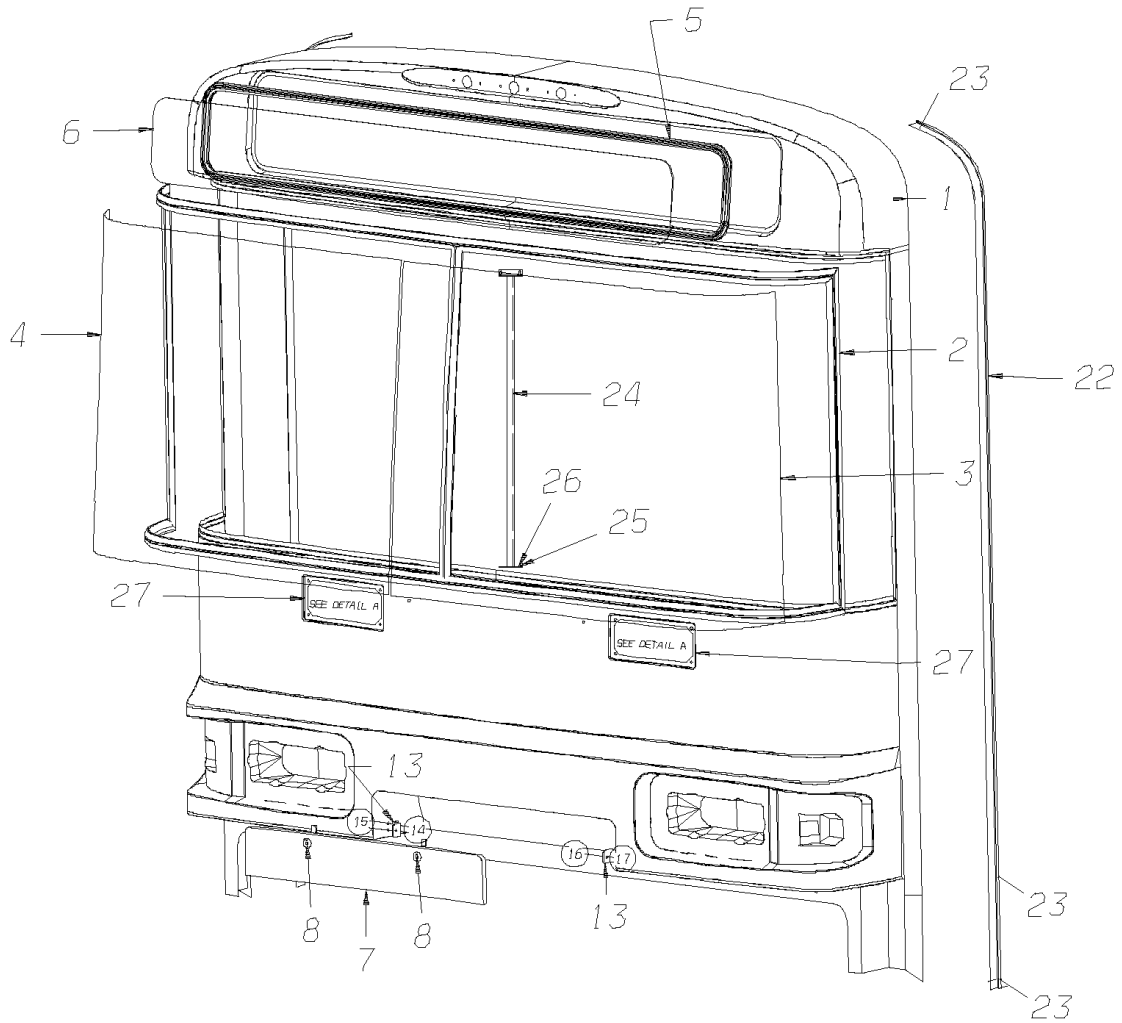


Models: C4RE
WASHER RESERVOIR

Key	PartNumber	Qty	Description	Comment
	0037507		KIT,WASHER BOTTLE, C4RE	<i>INCLUDES THE FOLLOWING</i>
1	0050649		CAP,VENTED,WASHER BOTTLE, C4RE	
2	0050650		TANK,CLEAR,2.5 GALLON,WASHER BOTTLE,	
3	0050651		ELBOW FITTING,WASHER BOTTLE, C4RE	
4	0050656		HOSE,WASHER BOTTLE, C4RE	
5	0019621		PUMP,12V,W/S WASHER RES. (000006)	
6	0050652		BRACKET,MTG,PUMP,WASHER BOTTLE, C4RE	
NI	0035706		BRACKET,WASHER BOTTLE, C4RE	

Models: C4RE
WIPERS & MOTOR

Key	PartNumber	Qty	Description	Comment
-----	------------	-----	-------------	---------



Models: C4RE
WIPERS & MOTOR

Key	PartNumber	Qty	Description	Comment
1				SEE GROUP 300-EXTERIOR
2				SEE GROUP 300-EXTERIOR
3				SEE GROUP 300-EXTERIOR
4				SEE GROUP 300-EXTERIOR
5				SEE GROUP 300-EXTERIOR
6				SEE GROUP 300-EXTERIOR
7				SEE GROUP 300-EXTERIOR
8				SEE GROUP 300-EXTERIOR
9			WIPER MOTOR, 62 DEG LH, ROAD SIDE	
	0029935		WIPER MOTOR,62 DEG,ROAD SIDE,Q4,B4,W4	ENDING WITH BSN F20047499
	1580240		MOTOR,WIPER,68DEG,CURB SIDE,	FROM BSN F20047500 TO BSN F20059694
	0072750		WIPER ASSY,WINDSHIELD,68DEG,CURB SIDE, RH, CURB SIDE	BEGIN WITH BSN F20059695
	0029936		WIPER MOTOR,62 DEG,CURB SIDE,Q4,B4.W4	ENDING WITH BSN F20047499
	1580257		MOTOR,WIPER,68DEG,ROAD SIDE,	FROM BSN F20047500 TO BSN F20059694
	0072751		WIPER ASSY,WINDSHIELD,68DEG,ROAD SIDE,	BEGIN WITH BSN F20059695
10	0020872	2	PLATE,BACKING,WIPER MOTOR	
11			PANEL, MTG, W/S WIPER MOTOR	
	1961101		PANEL,MTG,W/S WIPER MOTOR,RH,Q4RE	
	1961119		PANEL,MTG,W/S WIPER MOTOR,LH,Q4RE	
12	1290493		PIVOT,PARLGM,ELECTRIC,23948-90,BLACK	
13				SEE GROUP 300-EXTERIOR

Models: C4RE
WIPERS & MOTOR

Key	PartNumber	Qty	Description	Comment
14				SEE GROUP 300-EXTERIOR
15				SEE GROUP 300-EXTERIOR
16				SEE GROUP 300-EXTERIOR
17				SEE GROUP 300-EXTERIOR
18	1516608	4	SCREW,MACH,1/4-20X1-1/2,TRUSS HD,YEL	
19	1971159	4	PLUSNUT,1/4-20,S25P500	
20	1362128	2	SCREW,MACH,1/4-28 X 1-1/2,PH1,PAN HD,BLK	
21	0029997	2	SCREW,MACH,1/4-28X1,PH1,PAN HD,BLK ZN	
NI			WIPER ARM ASSY., PANTOGRAPH, 28 IN.,	
	1918580		ARM ASSY,WIPER,PANTOGRAPH,28"" ,BK	ENDING WITH BSN F20047499
	1983600		ARM ASSY,WIPER,PANTOGRAPH,31" ,BK	BEGIN WITH BSN F20047500
NI	1974070		BLADE,WINDSHIELD WIPER,26.00	
22				SEE GROUP 300-EXTERIOR
23				SEE GROUP 300-EXTERIOR
24				SEE GROUP 300-EXTERIOR
25				SEE GROUP 300-EXTERIOR
26				SEE GROUP 300-EXTERIOR
27	0898627		SEALANT,CARTRIDGE,SM5522,VINYL GRAY	TUBE