

Body

420 Lights & Lens

DOOR, ELECTRICAL PANEL

_____ 1
FLUORESCENT

_____ 2
HEADLIGHTS, L E D PARKING LIGHTS, MARKER LIGHTS, ETC.

From BSN F20055705 _____ 3

HEADLIGHTS, MARKER LIGHTS, TAIL LIGHTS
1 OF 2

To BSN F20055704 _____ 4

2 OF 2

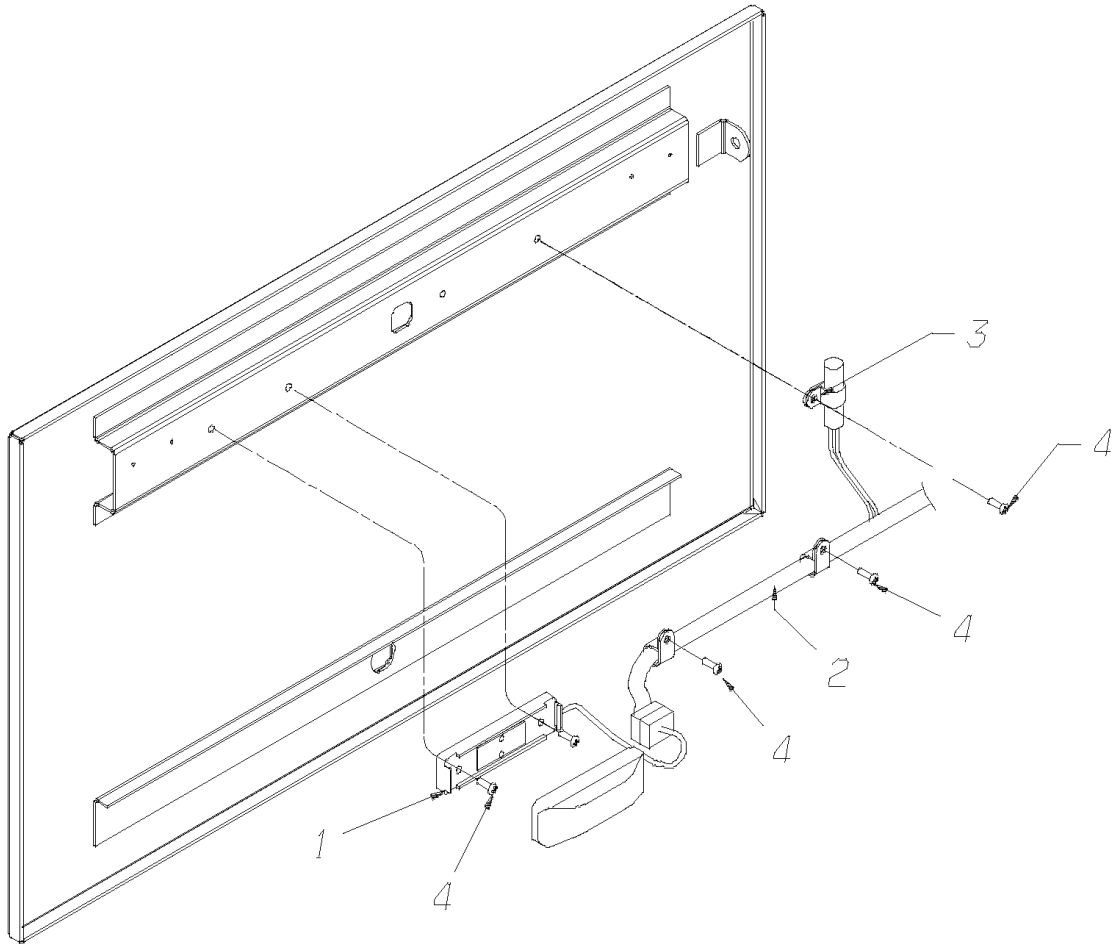
To BSN F20055704 _____ 5

L E D, CLEARANCE LIGHTS; INTERIOR SPOT LAMP LIGHT; FAREBOX LIGHT

With: FEATURE 30909-01; 31201-07 _____ 6

Models: C4RE
DOOR, ELECTRICAL PANEL

Key	PartNumber	Qty	Description	Comment
-----	------------	-----	-------------	---------



Models: C4RE
DOOR, ELECTRICAL PANEL

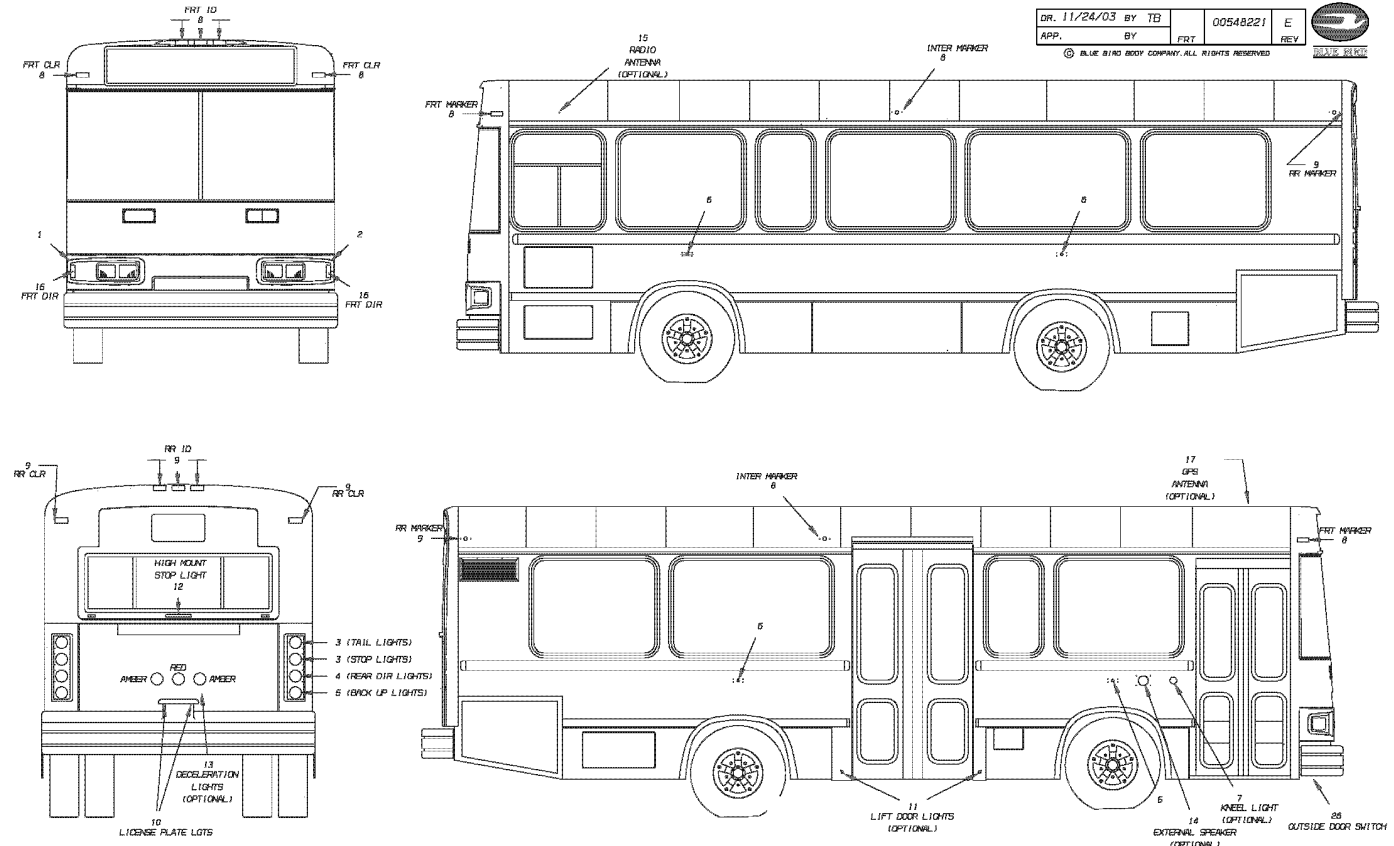
Key	PartNumber	Qty	Description	Comment
1	0053297		LIGHT ASSY,ELECTRICAL PANEL,DOOR, C4RE	
2	0053304		HARNESS,WRG,LGT,ASSY,ELEC,PANEL DOOR,	
3	2258630		CLAMP,CABLE,NYLON,1/2	
4	1812239		SCREW,10-32 X 3/4,F,PH1,PAN HD,ZN	

Models: C4RE
FLUORESCENT

Key	PartNumber	Qty	Description	Comment
NI	0045816		LIGHT,FLUORESCENT,2',C4RE	
NI	0045815		LIGHT,FLUORESCENT,3',C4RE	
NI	0045814		LIGHT,FLUORESCENT,4',C4RE	
NI	0045813		LIGHT,FLUORESCENT,5',C4RE	
NI	0045812		LIGHT,FLUORESCENT,6',C4RE	
NI	0046054		LIGHT,BLUE SLEEVE,5',C4RE"	
NI	0046055		LIGHT, BLUE SLEEVE, 6',C4RE"	

Models: C4RE
HEADLIGHTS, L E D PARKING LIGHTS, MARKER LIGHTS, ETC.
BSN: From BSN F20055705

Key	PartNumber	Qty	Description	Comment
-----	------------	-----	-------------	---------



DR. 11/24/03 BY TB
 APP. BY FRT REV
 00548221 E
 © BLUE BIRD BODY COMPANY. ALL RIGHTS RESERVED

Models: C4RE
BSN: HEADLIGHTS, L E D PARKING LIGHTS, MARKER LIGHTS, ETC.
From BSN F20055705

Key	PartNumber	Qty	Description	Comment
1	0040832		HEADLIGHT ASSY,RECT DBL,HLGN,RH,	
1	0864579	6	SCREW,10-16 X 3/4,AB,PH1,PAN HD,SST	
2	0040833		HEADLIGHT ASSY,RECT DBL,HLGN,LH,W/BEZEL	
2	0864579	6	SCREW,10-16 X 3/4,AB,PH1,PAN HD,SST	
3	0040858	4	LIGHT,LED,RED,STOP/TAIL,4 INCH	
3	0040856	4	GROMMET,MOUNTING,LED LIGHT,4 INCH	
4	0040857	2	LIGHT,LED,AMBER,DIR,4 INCH	
4	0040856	2	GROMMET,MOUNTING,LED LIGHT,4 INCH	
5	0054534	2	LIGHT,LED,CLEAR BACKUP LAMP,4 INCH,C4RE	
5	0040856	2	GROMMET,MOUNTING,LED LIGHT,4 INCH	
6	0040861	4	LIGHT,LED,SIDE DIR,DUAL,AMBER	
6	0042264	4	GUARD,ARMOR,SIDE DIR,STAINLESS,18 SERIES	
6				SCREWS, WASHERS AND GASKET, SUPPLIED WITH LIGHT
7	0041391		LIGHT,LED,ROUND,MARKER,AMBER,2.5 INCH	OPTION 04569
7	0041392		GROMMENT,MOUNTING,LED LIGHT,2.5 INCH	OPTION 04569
8	0041393	9	LIGHT,LED,MARKER,AMBER	
8	1936772	18	SCREW,8-18 X 3/4,AB,PH1,PAN HD,YL ZN,W/EX	
8				GASKET, SUPPLIED WITH LIGHT
9	0028775	7	LIGHT ASSY,MARKER,LED,RED	
9	1936772	14	SCREW,8-18 X 3/4,AB,PH1,PAN HD,YL ZN,W/EX	
10	0042265	2	LIGHT ASSY,LICENSE PLATE,MODEL 19,RAIL M	
10	0864579		SCREW,10-16 X 3/4,AB,PH1,PAN HD,SST	
11	1759257	2	LAMP,APPROACH,WELDON	FEATURE 31061-02

Models: C4RE
BSN: HEADLIGHTS, L E D PARKING LIGHTS, MARKER LIGHTS, ETC.
From BSN F20055705


Key	PartNumber	Qty	Description	Comment
11	0864579	4	SCREW,10-16 X 3/4,AB,PH1,PAN HD,SST	
12	1999804		LIGHT,BRAKE,HIGH MOUNT,LED,B4/Q4/W4	
12				WASHERS, GASKET, AND SCREW CAPS SUPPLIED WITH LIGHT
12				DISCARD THE VENDOR SCREW AND USE BLUE BIRD PART NUMBER 1529536
12	1529536		SCREW,6-20 X 3/4,AB,PH1,OVAL CNSK HD,SST	
12	1161868		CONNECTOR,2 CIRC,TOWER,WEATHERPACK,	
12	1605724	2	TERMINAL,SOC,18-20 GA,WEATHERPACK,	
12	1934850		SEAL,WIRE,CBL/DIA.063-.085,PU,W/PACK,PACK	
13	0041885		KIT,DECELERATION ALERT SYSTEM	FEATURE 30742-01
14	0042257		SPEAKER,EXT,4"" ROUND, ALU GRILLE,REI	FEATURE 30269-10
14				SCREWS SUPPLIED WITH SPEAKER
15	0050499		ANTENNA,AUDIO VIDEO SYSTEM,REI,156""	FEATURE 30260-13
16	0067586	2	LIGHT ASSY,PARK,DIRECTIONAL	
16	2001162	4	LOCKWASHER,SPLIT RING, 3/16,MED,YEL ZN	
16	2001279	4	NUT,HEX HD,10-24,YEL ZN DICH"	
16	2000750	4	SCREW,MACH,10-24 X 1/2,PH1,RD HD,YEL	
17	0042284		ANTENNA,GLOBAL POSITION SYSTEMS (GPS)	PGPS. FEATURE 31140-03
26	0020202		SWITCH ASSY,ELEC SERVICE DOOR,Q4	
26				MOUNTING HARDWARE SUPPLIED WITH SWITCH
NI	0042276		LIGHT,LED,ROUND,MARKER,CLEARANCE,RED,2	FEATURE 31201-07
NI	0033684		SCREW,10-16 X 3/4,AB,PHI,PN/HD,BZDICH,	
NI	0041952		LIGHT,INTERIOR,SPOT LAMP	

Models: C4RE
BSN: HEADLIGHTS, L E D PARKING LIGHTS, MARKER LIGHTS, ETC.
From BSN F20055705

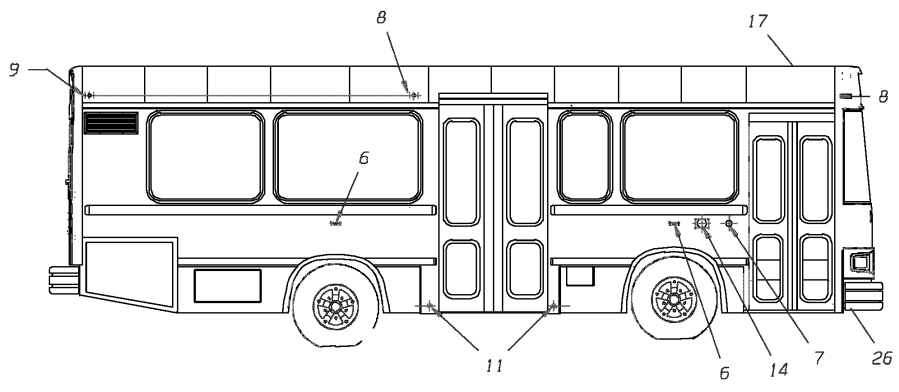
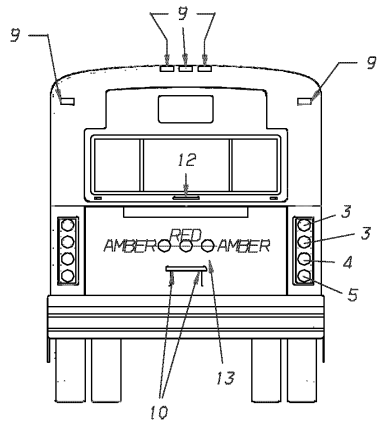
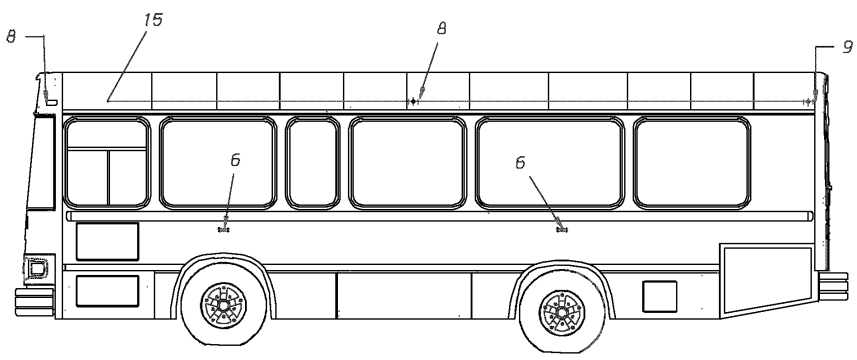
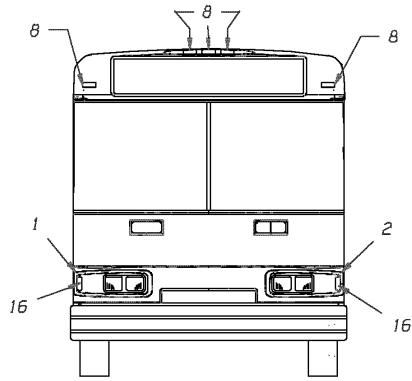
Key	PartNumber	Qty	Description	Comment
NI	1143676	2	SCREW,10-16 X 3/4, AB,PH1,PAN HD,BLK ZN,	

Models: C4RE
HEADLIGHTS, MARKER LIGHTS, TAIL LIGHTS
1 OF 2
To BSN F20055704

Key	PartNumber	Qty	Description	Comment
-----	------------	-----	-------------	---------

DR. 03/28/02 BY TFM	00408641	A	
APP. BY FRT	REV		

© BLUE BIRD BODY COMPANY. ALL RIGHTS RESERVED



**Models: C4RE
HEADLIGHTS, MARKER LIGHTS, TAIL LIGHTS
1 OF 2
To BSN F20055704**

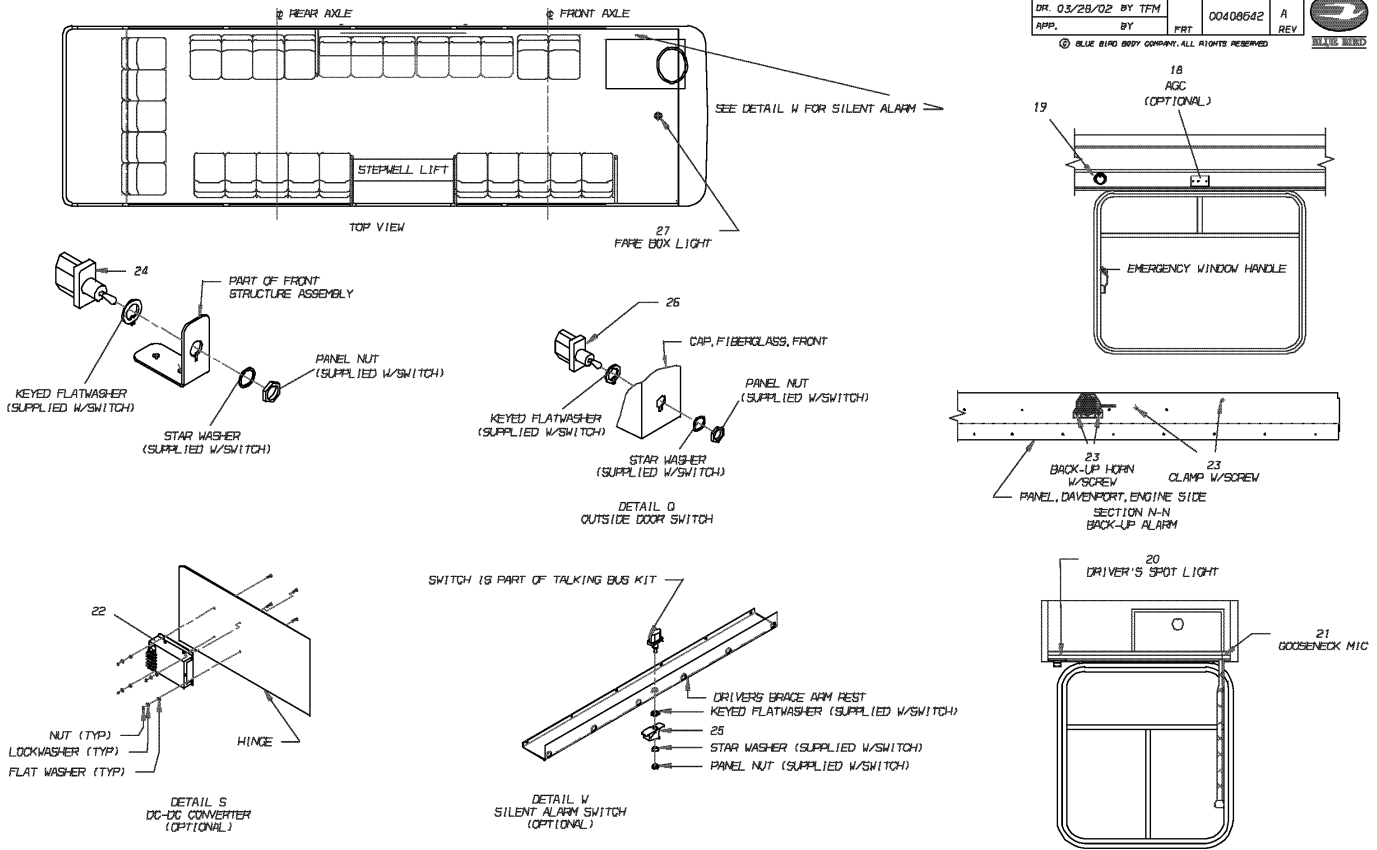
Key	PartNumber	Qty	Description	Comment
1	0040832		HEADLIGHT ASSY,RECT DBL,HLGN,RH,	
1	0864579	6	SCREW,10-16 X 3/4,AB,PH1,PAN HD,SST	
2	0040833		HEADLIGHT ASSY,RECT DBL,HLGN,LH,W/BEZEL	
2	0864579	6	SCREW,10-16 X 3/4,AB,PH1,PAN HD,SST	
3	0040858	4	LIGHT,LED,RED,STOP/TAIL,4 INCH	
3	0040856	4	GROMMET,MOUNTING,LED LIGHT,4 INCH	
4	0040857	2	LIGHT,LED,AMBER,DIR,4 INCH	
4	0040856	2	GROMMET,MOUNTING,LED LIGHT,4 INCH	
5	0043409	2	LIGHT,INCANDESCENT,BACK UP	
5	0040856	2	GROMMET,MOUNTING,LED LIGHT,4 INCH	
6	0040861	4	LIGHT,LED,SIDE DIR,DUAL,AMBER	
6	0042264	4	GUARD,ARMOR,SIDE DIR,STAINLESS,18 SERIES	
6				SCREWS, WASHERS, AND GASKET SUPPLIED WITH LIGHT
7	0041391		LIGHT,LED,ROUND,MARKER,AMBER,2.5 INCH	OPTION 04569
7	0041392		GROMMENT,MOUNTING,LED LIGHT,2.5 INCH	OPTION 04569
8	0041393	9	LIGHT,LED,MARKER,AMBER	
8	1936772	18	SCREW,8-18 X 3/4,AB,PH1,PAN HD,YL ZN,W/EX	
8				GASKET, SUPPLIED WITH LIGHT
9	0028775	7	LIGHT ASSY,MARKER,LED,RED	
9	1936772	14	SCREW,8-18 X 3/4,AB,PH1,PAN HD,YL ZN,W/EX	
10	0042265	2	LIGHT ASSY,LICENSE PLATE,MODEL 19,RAIL M	
10	0864579	4	SCREW,10-16 X 3/4,AB,PH1,PAN HD,SST	
11	1759240	2	LAMP,APPROACH,ADA LIFT,32 CP,WITH	FEATURE 31061-02

Models: C4RE
HEADLIGHTS, MARKER LIGHTS, TAIL LIGHTS
1 OF 2
To BSN F20055704

Key	PartNumber	Qty	Description	Comment
11	0864579		SCREW,10-16 X 3/4,AB,PH1,PAN HD,SST	
12	1999804		LIGHT,BRAKE,HIGH MOUNT,LED,B4/Q4/W4	
12				SCREWS, WASHERS, GASKET, AND SCREW CAPS SUPPLIED WITH LIGHT
12	1161868		CONNECTOR,2 CIRC,TOWER,WEATHERPACK,	
12	1605724	2	TERMINAL,SOC,18-20 GA,WEATHERPACK,	
12	1934850	2	SEAL,WIRE,CBL/DIA.063-.085,PU,W/PACK,PACK	
13	0041885		KIT,DECELERATION ALERT SYSTEM	FEATURE 30742-01
14	0042257		SPEAKER,EXT,4" ROUND, ALU GRILLE,REI	FEATURE 30269-10
14				SCREWS SUPPLIED WITH SPEAKER
15	0008584		ANTENNA,AUDIO VIDEO SYSTEM,REI,LTC-40	FEATURE 30260-13
16	1341700	2	LIGHT ASSY,PARKING,570 0825 W/1156 BULB	
16	0864579	4	SCREW,10-16 X 3/4,AB,PH1,PAN HD,SST	
17	0042284		ANTENNA,GLOBAL POSITION SYSTEMS (GPS)	FEATURE 31140-03

Models: C4RE
HEADLIGHTS, MARKER LIGHTS, TAIL LIGHTS
2 OF 2
To BSN F20055704

Key	PartNumber	Qty	Description	Comment
-----	------------	-----	-------------	---------

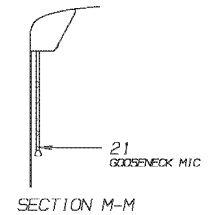
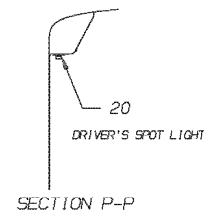
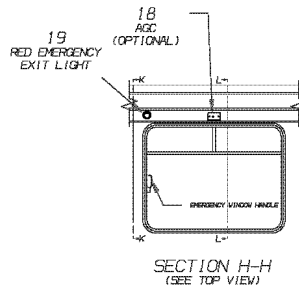
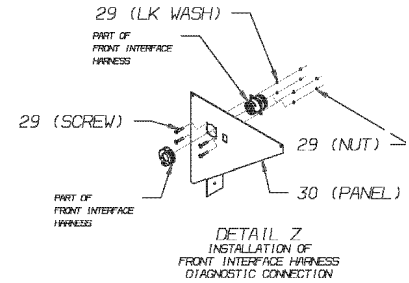
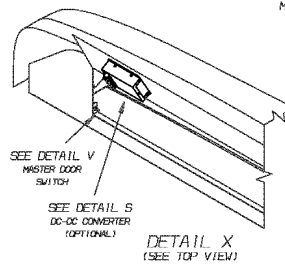
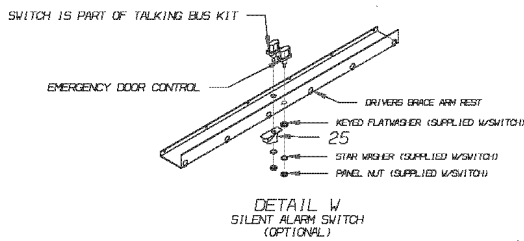
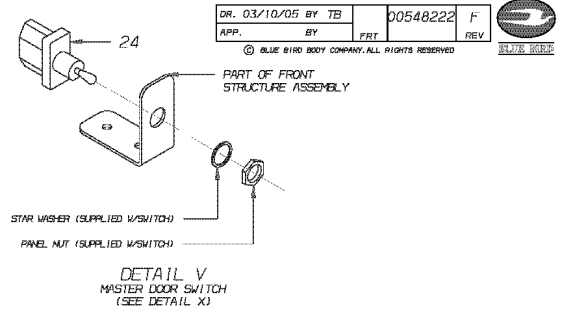
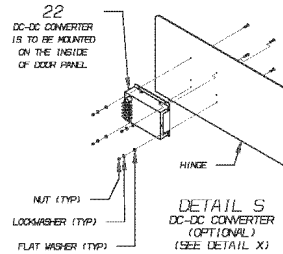
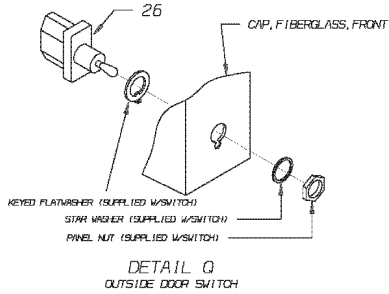


**Models: C4RE
HEADLIGHTS, MARKER LIGHTS, TAIL LIGHTS
2 OF 2
To BSN F20055704**

Key	PartNumber	Qty	Description	Comment
18	0042286		MICROPHONE,AUTO GAIN CONTROL (AGC),	FEATURE 31140-03
18	0527267	2	SCREW,6-20 X 1/2,AB,PH1,PAN HD,YEL ZN	
19	0042276		LIGHT,LED,ROUND,MARKER,CLEARANCE,RED,2	FEATURE 31201-07
19	0033684		SCREW,10-16 X 3/4,AB,PHI,PN/HD,BZDICH,	
20	0041952		LIGHT,INTERIOR,SPOT LAMP	
20	1143676	2	SCREW,10-16 X 3/4, AB,PH1,PAN HD,BLK ZN,	
21	0042227		MICROPHONE,GOOSENECK,NO ON/OFF SW,REI	FEATURE 30260-12, -13
22	0037508		KIT,SIGN,FRONT & SIDE,TWINVISION, C4RE	FEATURE 31140-02
22	0038402		KIT,SIGN,FRONT,SIDE&REAR,TWINVISION,	FEATURE 31140-04
22	0045722		KIT,SIGN,FRONT,TWINVISION, C4RE	FEATURE 31140-01
23	0003312		HORN,BACKING ALARM,112 DB	
23	1167808	4	SCREW,1/4-14 X 3/4,AB,PH1,PAN HD,BLK ZN	
23	0854612	2	CLAMP,LOOP,.500	
23	1161868		CONNECTOR,2 CIRC,TOWER,WEATHERPACK,	
23	1154541	2	TERMINAL,SOC,14-16GA,WEATHERPACK,PACK	
23	1154582	2	SEAL,WIRE,CBL/DIA.111-.137,GY,W/PACK,PACK	
24	1656396		SWITCH,REAR CONTROL	
25	0040947		GUARD,SWITCH,TOGGLE,RED,TYPE 8498K6	FEATURE 31140-01, -02, -04
26	0020202		SWITCH ASSY,ELEC SERVICE DOOR,Q4	
26				MOUNTING HARDWARE, SUPPLIED WITH SWITCH
27	0041952		LIGHT,INTERIOR,SPOT LAMP	FEATURE 30909-01
27	1143676	2	SCREW,10-16 X 3/4, AB,PH1,PAN HD,BLK ZN,	

Models: C4RE
With: L E D, CLEARANCE LIGHTS; INTERIOR SPOT LAMP LIGHT; FAREBOX LIGHT
Feature: 30909-01; 31201-07

Key	PartNumber	Qty	Description	Comment
-----	------------	-----	-------------	---------



Models: C4RE
With: L E D, CLEARANCE LIGHTS; INTERIOR SPOT LAMP LIGHT; FAREBOX LIGHT
FEATURE 30909-01; 31201-07

Key	PartNumber	Qty	Description	Comment
18	0042286		MICROPHONE,AUTO GAIN CONTROL (AGC),	FEATURE 31140-03
18	0527267	2	SCREW,6-20 X 1/2,AB,PH1,PAN HD,YEL ZN	
19	0042276		LIGHT,LED,ROUND,MARKER,CLEARANCE,RED,2	FEATURE 31201-07
19	0033684		SCREW,10-16 X 3/4,AB,PHI,PN/HD,BZDICH,	
20	0041952		LIGHT,INTERIOR,SPOT LAMP	
20	1143676	2	SCREW,10-16 X 3/4, AB,PH1,PAN HD,BLK ZN,	
21	0042227		MICROPHONE,GOOSENECK,NO ON/OFF SW,REI	FEATURE 30260-12, -13
22	0037508		KIT,SIGN,FRONT & SIDE,TWINVISION, C4RE	FEATURE 31140-02
22	0038402		KIT,SIGN,FRONT,SIDE&REAR,TWINVISION,	FEATURE 31140-04
22	0045722		KIT,SIGN,FRONT,TWINVISION, C4RE	FEATURE 31140-01
NI	0003312		HORN,BACKING ALARM,112 DB	
NI	1167808	4	SCREW,1/4-14 X 3/4,AB,PH1,PAN HD,BLK ZN	
NI	0854612	2	CLAMP,LOOP,.500	
NI	1161868		CONNECTOR,2 CIRC,TOWER,WEATHERPACK,	
NI	1154541	2	TERMINAL,SOC,14-16GA,WEATHERPACK,PACK	
NI	1154582	2	SEAL,WIRE,CBL/DIA.111-.137,GY,W/PACK,PACK	
24	1656396		SWITCH,REAR CONTROL	
25	0040947		GUARD,SWITCH,TOGGLE,RED,TYPE 8498K6	FEATURE 31140-01, -02, -04
26	0020202		SWITCH ASSY,ELEC SERVICE DOOR,Q4	MOUNTING HARDWARE, SUPPLIED WITH SWITCH
NI	0041952		LIGHT,INTERIOR,SPOT LAMP	FEATURE 30909-01
NI	1143676	2	SCREW,10-16 X 3/4, AB,PH1,PAN HD,BLK ZN,	
29	1667948		SCREW,MACH,6-32 X 1/2,PH1,RD HD,BLK ZN	
29	1711191		NUT,HEX HD,6-32,YEL ZN DICH	

Models: C4RE
With: L E D, CLEARANCE LIGHTS; INTERIOR SPOT LAMP LIGHT; FAREBOX LIGHT
FEATURE 30909-01; 31201-07

Key	PartNumber	Qty	Description	Comment
29	1927029		LOCKWASHER,SPLIT RING,.115 IN,MED,YEL ZN	
30	0042962		PANEL,CLOSEOUT,LH,UPPER,DRIVERS, C4RE	