

Chassis

030 Brakes, Air

BRAKE ASSY, FRONT

5 INCH

MERITOR

From CSN 30096776 FE 10096696 RE (11/05/01)

1

6 INCH

FF967, MERITOR

From CSN 30096776 FE 10096696 RE (11/05/01)

2

BRAKE ASSY, REAR

7 INCH

HENDRICKSON, MERITOR

From CSN 30096776 FE 10096696 RE (11/05/01)

3

RIDWL, HS, MERITOR

From CSN 30096776 FE 10096696 RE (11/05/01)

4

RIDWL, MS, MERITOR

From CSN 30096776 FE 10096696 RE (11/05/01)

5

8.62 INCH

HENDRICKSON, MERITOR

From CSN 30096776 FE 10096696 RE (11/05/01)

6

RIDWL, HS, MERITOR

From CSN 30096776 FE 10096696 RE (11/05/01)

7

RIDWL, MS, MERITOR

From CSN 30096776 FE 10096696 RE (11/05/01)

8

OPTIONAL EQUIPMENT

BRAKE/LIFT INTERLOCK

RELAY INSTALLATION

With: FEATURE 40051

9

With: FEATURE 40051

10

HUB COVERS

STAINLESS STEEL, PHOENIX WITH HUB PILOTED WHEELS

With: FEATURE 40441-04, 05, OPTION 25347

11

RESERVOIR ASSY

FRONT

	<i>With: FEATURE 40081-01 From CSN 30061725 (05/30/00)</i>	12
REAR		
AIR SUSPENSION		13
		13
SPRING SUSPENSION		
	<i>From CSN 30038175 (08/09/99)</i>	14
SECONDARY TANK		
	<i>From CSN F0243000 (07/03/06)</i>	15
	<i>With: WITH FEATURE 40081-07 OR -13 OR -16 From CSN F0243300 BBCV</i>	16
WET AND PRIMARY		
	<i>From CSN F0243000 (07/03/06)</i>	17
	<i>With: WITH FEATURE 40081-07 OR -13 OR -16 From CSN F0243300 BBCV</i>	18
WET TANK		
	<i>From CSN 30043335 (11/01/99)</i>	19
AMBULANCE		
		20
KNEELING HENDRICKSON		21
SYSTEM		
NON-ABS		
	<i>With: FEATURE 40070 WITH 40076-01; 40081-01, 11; 40051-02</i>	22
WITH AIR DRYER		
ABS		
	<i>With: FEATURE 40070 WITH 40076-01; 40081-01, 11; 40051-02 From CSN 30037595 (08/02/99) To CSN 0198634 (05/01/05)</i>	23
	<i>With: FEATURE 40070 WITH 40076-01; 40081-01, 11, 19; 40051-02; 40360-02 From CSN 0198635 (5/02/05)</i>	24
WITH OUT AIR DRYER		
ABS		
	<i>With: FEATURE 40070 WITH 40076-01; 40280-05; 40004-07; 40360-02 From CSN 30037595 (08/02/99) To CSN 0198634 (05/01/05)</i>	25

<p><i>With: FEATURE 40070 WITH 40076-01; 40051-02; 40360-02</i> <i>From CSN 0198635 (5/02/05)</i></p> <hr/>	26
<p>VALVE ASSY AIR BRAKE INTERLOCK</p> <hr/>	27
<p>AXLE FRONT APPLIED AIR</p> <p><i>With: FEATURE 40070 WITH 40280-05 ISB07</i> <i>From CSN 0267140 (01/29/07)</i></p> <hr/>	28
<p>ISB07</p> <p><i>With: FEATURE 40070</i> <i>From CSN 0267140 (01/29/07)</i></p> <hr/>	29
<p>REAR APPLIED AIR</p> <p><i>With: FEATURE 40070 WITH 40280-05 ISB07</i> <i>From CSN 0267140 (01/29/07)</i></p> <hr/>	30
<p>ISB07</p> <p><i>With: FEATURE 40070</i> <i>From CSN 0267140 (01/29/07)</i></p> <hr/>	31
<p>BRAKE INTERLOCK TRACTION CONTROL</p> <p><i>With: 40453-01 WITH 40070 AND 40051-07 CAT 07</i> <i>40453-01 WITH 40070 AND 40051-02 ISB 07</i> <i>40453-01 ATC WITH 40051-01</i></p> <hr/>	32
<p>KNEELING</p> <p><i>With: FEATURE 40453-01</i> <i>From CSN 0232665 (04/05/06)</i></p> <hr/>	33
<p>BRAKE TREADLE & PEDAL AIR THROTTLE</p> <p><i>With: FEATURE 40070</i> <i>From 5/7/01</i></p> <hr/>	34
<p>ELECTRIC THROTTLE, ABS</p> <p><i>From CSN 30080061 (05/07/01)</i></p> <hr/>	35
<p>ADJUSTABLE PEDALS</p> <p><i>With: FEATURE 40070</i> <i>From CSN 30092735 (8/16/01)</i></p> <hr/>	36

WITH ISB07	
<i>With: FEATURE 40070 WITH 40099-01</i>	
<i>From CSN 0267140 (01/29/07)</i>	37
<hr/>	
WITH OUT ISB07	
<i>With: FEATURE 40070 WITH OUT 40099-01 ISB07</i>	
<i>From CSN 0267140 (01/29/07)</i>	38
<hr/>	
DOUBLE CHECK	
	39
<hr/>	
GOVERNOR	
<i>From CSN 30085736 (05/07/01)</i>	
	40
<hr/>	
MANIFOLD AIR SYSTEM	
	41
<hr/>	
PARKING BRAKE	
<i>From CSN 30079480 FE 10077010 RE (01/22/01)</i>	
	42
<hr/>	
PARKING BRAKE, INTERLOCK	
<i>With: FEATURE 40051-07</i>	
	43
<hr/>	
INSTALLATION	
<i>With: FEATURE 40051-07</i>	
	44
<hr/>	
QUICK RELEASE WITH SR-1, SPRING BREAK	
<i>From CSN 30046541 (01/03/00)</i>	
	45
<hr/>	
<i>With: FEATURE 40070</i>	
<i>From CSN 30046675 (01/03/00)</i>	
<i>To 6/10/07</i>	
	46
<hr/>	
SPRING & SERVICE BRAKE	
<i>From CSN 30012575 (07/22/98)</i>	
	47
<hr/>	
<i>With: FEATURE 40076 WITH 40280-05</i>	
<i>From CSN 0198635 (5/02/05)</i>	
<i>To 6/10/07</i>	
	48
<hr/>	
4 CHANNEL, ABS	
<i>With: FEATURE 40070</i>	
<i>From CSN 30105845 (04/01/02)</i>	
	49
<hr/>	

EC60
 With: FEATURE 40070
 From CSN 0198635 (5/02/05)
 To 6/10/07

50

RELAY
 With: FEATURE 40280-05
 From CSN 30039475 (8/30/99)
 To 6/10/07

51

TRACTION CONTROL
 SPRING SUSPENSION
 With: FEATURE 40453-01 WITH SPRING SUSPENSION
 From CSN 0232665 (04/05/06)

52

WHEEL END COMPONENTS
 FRONT, DRUM BRAKES, HUB PILOTED
 5 INCH
 ALUMN WHEELS
 From CSN 30096776 FE, 10096696 RE (11/05/01)

53

STEEL WHEELS
 From CSN 30096776 FE, 10096696 RE (11/05/01)

54

6 INCH
 ALUMN WHEELS
 From CSN 30096776 FE 10096696 RE (11/05/01)

55

STEEL WHEELS
 From CSN 30096776 FE 10096696 RE (11/05/01)

56

REAR, DRUM BRAKES, HUB PILOTED
 MERITOR
 7 INCH ALUMN WHEELS/DAYTON
 From CSN 30096776 FE 10096696 RE 11/05/01

57

7 INCH ALUMN WHEELS/WEBB
 From CSN 30096776 FE 10096696 RE 11/05/01

58

7 INCH STEEL WHEELS/DAYTON
 From CSN 30096776 FE 10096696 RE 11/05/01

59

7 INCH STEEL WHEELS/WEBB
 From CSN 30096776 FE 10096696 RE 11/05/01

60

8.62 INCH ALUMN WHEELS/DAYTON
 From CSN 30096776 FE 10096696 RE 11/05/01

61

8.62 INCH ALUMN WHEELS/WEBB

From CSN 30096776 FE 10096696 RE 11/05/01

62

8.62 INCH STEEL WHEELS/DAYTON

From CSN 30096776 FE 10096696 RE 11/05/01

63

8.62 INCH STEEL WHEELS/WEBB

From CSN 30096776 FE 10096696 RE 11/05/01

64

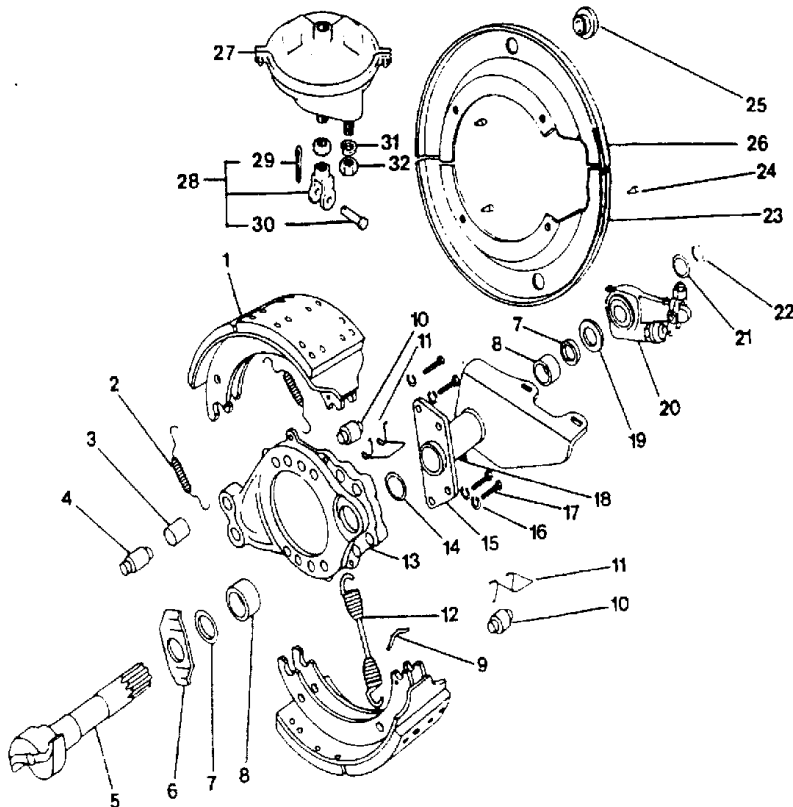
Models: A3FE, A3RE, C3FE, C4RE, CSFE, CSRE, QBRE, TCFE
 BRAKE ASSY, FRONT
 5 INCH
 MERITOR
 BSN: From CSN 30096776 FE 10096696 RE (11/05/01)

Key	PartNumber	Qty	Description	Comment
-----	------------	-----	-------------	---------

FRONT BRAKES, Q-TYPE

DR	BY	Q158541
APP	BY	

© 1985 BLUE BIRD BODY COMPANY
 ALL RIGHTS RESERVED



PAGE 6

Models: A3FE, A3RE, C3FE, C4RE, CSFE, CSRE, QBRE, TCFE
BRAKE ASSY, FRONT
5 INCH
MERITOR
BSN: From CSN 30096776 FE 10096696 RE (11/05/01)

Key	PartNumber	Qty	Description	Comment
1			KIT, BRAKE SHOE & LINING ASSY.	
NI	0034132		KIT,MAJOR OVERHAUL,MERITOR,5"	<i>INCLUDES ITEMS 1, 2, 3, 4, 9, 10, 11, 12</i>
NI	0027027		KIT, MINOR, 16.5 X 6, TAG, ROCKWELL, KIT	<i>INCLUDES ITEMS 2, 3, 4, 9, 10, 11, 12</i>
2			KIT, SPRING, BRAKE SHOE RETAINING	
3			KIT, BUSHING, ANCHOR PIN	
4			KIT, ANCHOR PIN, BRAKE SHOE	
5	2121606		CAMSHAFT,Q BRAKE,LH FRONT"	
5	2121614		CAMSHAFT,RH,Q BRAKE,FRONT"	
NI	0044939		KIT,BUSHING & SEAL"	<i>INCLUDES ITEMS 7, 8</i>
NI	0038801		KIT,WASHER & SNAP RING,CAMSHAFT,MERITOR	<i>INCLUDES ITEMS 19, 21, 22</i>
6	2121663		WASHER,FLAT,CAMSHAFT,THICK,Q BRAKE"	
7			KIT, SEAL, CAMSHAFT	
8			KIT, BUSHING, CAMSHAFT SPIDER & BRKT.	
9			KIT, PIN, BRAKE SHOE RETURN SPRING	
10			KIT, ROLLER, BRAKE SHOE	
11			KIT, RETAINER, SHOE ROLLER	
12			KIT, RETURN SPRING, BRAKE SHOE	
13	0034151		SPIDER,LH,MERITOR	
13	0034152		SPIDER,RH,MERITOR	
14	2644235		SEAL,FELT,BRAKE SPIDER	
15	0034263		BRACKET,CAMSHAFT,LH,MERITOR	<i>INCLUDES ITEMS 15, 16, 17</i>
15	0034264		BRACKET,CAMSHAFT,RH,MERITOR	<i>INCLUDES ITEMS 15, 16, 17</i>
16			WASHER, CHAMBER BRKT.	

Models: A3FE, A3RE, C3FE, C4RE, CSFE, CSRE, QBRE, TCFE
BRAKE ASSY, FRONT
5 INCH
MERITOR
BSN: From CSN 30096776 FE 10096696 RE (11/05/01)

Key	PartNumber	Qty	Description	Comment
17			CAPSCREW, CHAMBER BRKT.	
18			FITTING, GREASE	
19			KIT, WASHER, CAMSHAFT	
20	0045365		SLACK ADJ,LH/RH,MERITOR"	
20	0045335		KIT,SLACK ADJ,1.5-28 X 5.5,HALDEX	
NI	0045337		KIT,BRACKET,SLACK ADJ,HALDEX	HALDEX ONLY
21			KIT, WASHER, SPACING	
22			KIT, LOCKRING, CAMSHAFT	
NI	0045347		CHAMBER,BRAKE,TYPE 24"	
NI	0034225		KIT,CLEVIS,MERITOR	
23	0031491		DUSTSHIELD KIT,AIR BRAKE,16.5X5 & 6,QP	
24			KIT, CAPSCREW, DUSTSHIELD	

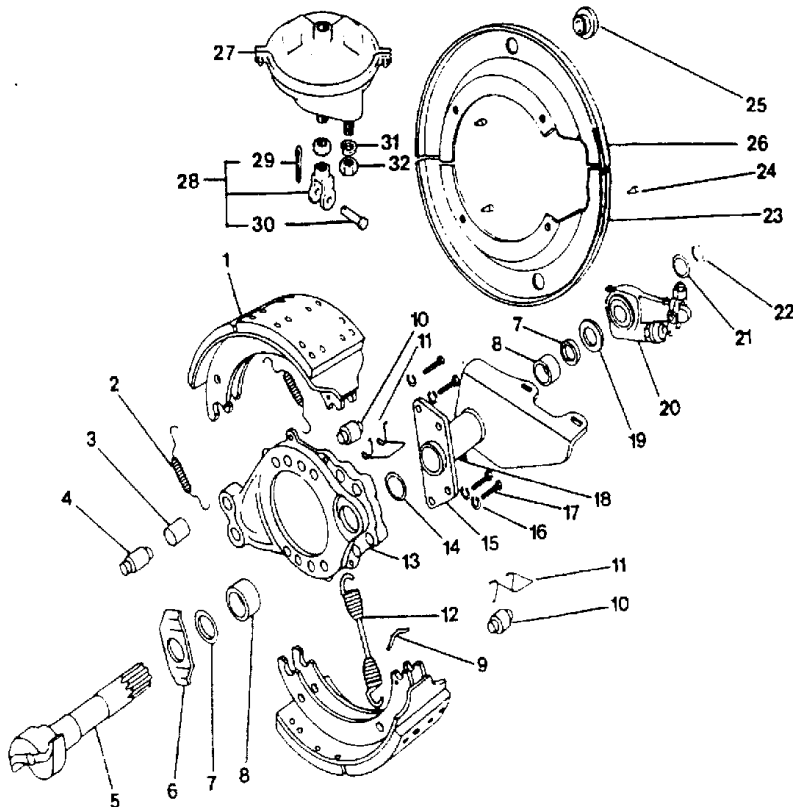
Models: A3FE, A3RE, C3FE, CSRE, QBRE, TCFE
 BRAKE ASSY, FRONT
 6 INCH
 FF967, MERITOR
 BSN: From CSN 30096776 FE 10096696 RE (11/05/01)

Key	PartNumber	Qty	Description	Comment
-----	------------	-----	-------------	---------

FRONT BRAKES, Q-TYPE

DR	BY	Q158541
APP	BY	

© 1985 BLUE BIRD BODY COMPANY
 ALL RIGHTS RESERVED



PAGE 6

Models: A3FE, A3RE, C3FE, CSRE, QBRE, TCFE
BRAKE ASSY, FRONT
6 INCH
FF967, MERITOR
BSN: From CSN 30096776 FE 10096696 RE (11/05/01)

Key	PartNumber	Qty	Description	Comment
1			KIT, BRAKE SHOE & LINING ASSY.	
NI	0034133		KIT,MAJOR OVERHAUL,MERITOR,6""	<i>INCLUDES ITEMS 1, 2, 3, 4, 9, 10, 11, 12</i>
NI	0044940		KIT,MINOR OVERHAUL,16.5 X 6,MERITOR	<i>INCLUDES ITEMS 3, 4, 9, 10, 11, 12</i>
2			KIT, SPRING, BRAKE SHOE RETAINING	
3			KIT, BUSHING, ANCHOR PIN	
4			KIT, ANCHOR PIN, BRAKE SHOE	
5	2121606		CAMSHAFT,Q BRAKE,LH FRONT"	
5	2121614		CAMSHAFT,RH,Q BRAKE,FRONT"	
NI	0044939		KIT,BUSHING & SEAL"	<i>INCLUDES ITEMS 7, 8</i>
NI	0038801		KIT,WASHER & SNAP RING,CAMSHAFT,MERITOR	<i>INCLUDES ITEMS 19, 21, 22</i>
6	2121663		WASHER,FLAT,CAMSHAFT,THICK,Q BRAKE"	
7			KIT, SEAL, CAMSHAFT	
8			KIT, BUSHING, CAMSHAFT SPIDER & BRKT.	
9			KIT, PIN, BRAKE SHOE RETURN SPRING	
10			KIT, ROLLER, BRAKE SHOE	
11			KIT, RETAINER, SHOE ROLLER	
12			KIT, RETURN SPRING, BRAKE SHOE	
13	0034151		SPIDER,LH,MERITOR	
13	0034152		SPIDER,RH,MERITOR	
14	2644235		SEAL,FELT,BRAKE SPIDER	
15	0034263		BRACKET,CAMSHAFT,LH,MERITOR	<i>INCLUDES ITEMS 15, 16, 17</i>
15	0034264		BRACKET,CAMSHAFT,RH,MERITOR	<i>INCLUDES ITEMS 15, 16, 17</i>
16			WASHER, CHAMBER BRKT.	

Models: A3FE, A3RE, C3FE, CSRE, QBRE, TCFE
BRAKE ASSY, FRONT
6 INCH
FF967, MERITOR
BSN: From CSN 30096776 FE 10096696 RE (11/05/01)

Key	PartNumber	Qty	Description	Comment
17			CAPSCREW, CHAMBER BRKT.	
18			FITTING, GREASE	
19			KIT, WASHER, CAMSHAFT	
20	0045365		SLACK ADJ,LH/RH,MERITOR"	
20	0045335		KIT,SLACK ADJ,1.5-28 X 5.5,HALDEX	
NI	0045337		KIT,BRACKET,SLACK ADJ,HALDEX	HALDEX ONLY
21			KIT, WASHER, SPACING	
22			KIT, LOCKRING, CAMSHAFT	
NI	0045347		CHAMBER,BRAKE,TYPE 24"	
NI	0034225		KIT,CLEVIS,MERITOR	
23	0031491		DUSTSHIELD KIT,AIR BRAKE,16.5X5 & 6,QP	
24			KIT, CAPSCREW, DUSTSHIELD	

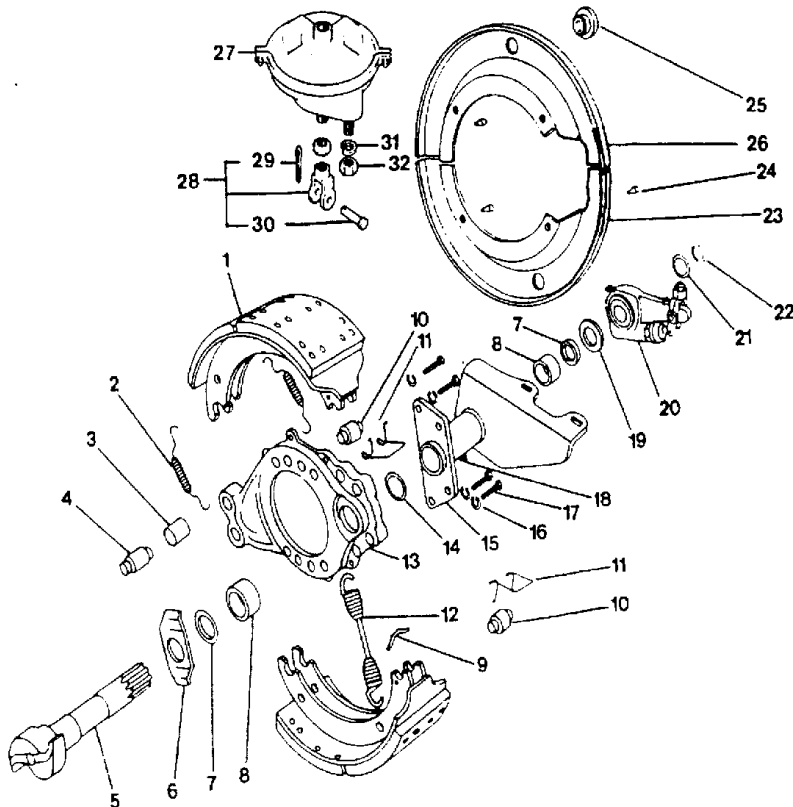
Models: A3FE, A3RE, C3FE, CSFE, CSRE, QBRE, TCFE
 BRAKE ASSY, REAR
 7 INCH
 HENDRICKSON, MERITOR
 BSN: From CSN 30096776 FE 10096696 RE (11/05/01)

Key	PartNumber	Qty	Description	Comment
-----	------------	-----	-------------	---------

FRONT BRAKES, Q-TYPE

DR	BY	Q158541
APP	BY	

© 1985 BLUE BIRD BODY COMPANY
 ALL RIGHTS RESERVED



PAGE 6

Models: A3FE, A3RE, C3FE, CSFE, CSRE, QBRE, TCFE
BRAKE ASSY, REAR
7 INCH
HENDRICKSON, MERITOR
BSN: From CSN 30096776 FE 10096696 RE (11/05/01)

Key	PartNumber	Qty	Description	Comment
1			KIT, BRAKE SHOE & LINING ASSY.	
NI	0034136		KIT,MAJOR OVERHAUL,MERITOR,7"	<i>INCLUDES ITEMS 1, 2, 3, 4, 9, 10, 11, 12</i>
NI	0041750		KIT,MINOR OVERHAUL,HD,8.62,MERITOR	<i>INCLUDES ITEMS 2, 3, 4, 9, 10, 11, 12</i>
2			KIT, SPRING, BRAKE SHOE RETAINING	
3			KIT, BUSHING, ANCHOR PIN	
4			KIT, ANCHOR PIN, BRAKE SHOE	
5	2137099		CAMSHAFT,7IN Q-BRAKE,RH,AARE	<i>REAR BRAKE</i>
5	2137107		CAMSHAFT,7IN Q-BRAKE,LH,AARE	<i>REAR BRAKE</i>
NI	0044938		KIT,BUSHING & SEAL"	<i>INCLUDES ITEMS 7, 8</i>
NI	0038801		KIT,WASHER & SNAP RING,CAMSHAFT,MERITOR	<i>INCLUDES ITEMS 19, 21, 22</i>
6	8302721		WASHER,CAMHEAD,FLAT	
7			KIT, SEAL, CAMSHAFT	
8			KIT, BUSHING, CAMSHAFT SPIDER & BRKT.	
9			KIT, PIN, BRAKE SHOE RETURN SPRING	
10			KIT, ROLLER, BRAKE SHOE	
11			KIT, RETAINER, SHOE ROLLER	
12			KIT, RETURN SPRING, BRAKE SHOE	
13	0034157		SPIDER,LH/RH,MERITOR	
14	2644235		SEAL,FELT,BRAKE SPIDER	
15	0071476		BRACKET,CAMSHAFT,LH,88 DEG,MERITOR	
15	0071475		BRACKET,CAMSHAFT,RH,88 DEG,MERITOR	
16			WASHER, CHAMBER BRKT.	
17			CAPSCREW, CHAMBER BRKT.	

Models: A3FE, A3RE, C3FE, CSFE, CSRE, QBRE, TCFE
BRAKE ASSY, REAR
7 INCH
HENDRICKSON, MERITOR
BSN: From CSN 30096776 FE 10096696 RE (11/05/01)

Key	PartNumber	Qty	Description	Comment
18			FITTING, GREASE	
19			KIT, WASHER, CAMSHAFT	
20	0034253		SLACK ADJ,MERITOR,5.5-28,L,24/30 CHAMBER	
20	0034254		SLACK ADJ,MERITOR,5.5-28,RH,24/30	
	4311262		KIT, SLACK ADJ. REAR 7/8.62"	
NI	0034893		BRACKET ASSY,SLACK ADJ,HALDEX	<i>HALDEX ONLY</i>
21			KIT, WASHER, SPACING	
22			KIT, LOCKRING, CAMSHAFT	
NI	0041403		CHAMBER,BRAKE,3030,MGM	
NI	0034225		KIT,CLEVIS,MERITOR	
23	0031492		DUSTSHIELD KIT,AIR BRAKE,16.5X7 QP,23K	
24			KIT, CAPSCREW, DUSTSHIELD	

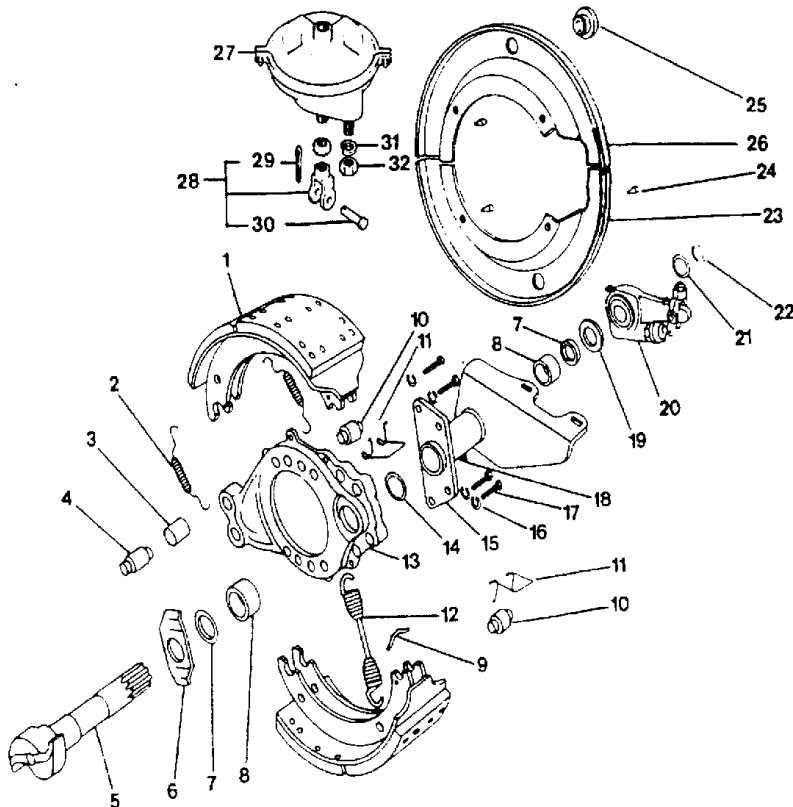
Models: A3FE, A3RE, C3FE, CSFE, CSRE, QBRE, TCFE
 BRAKE ASSY, REAR
 7 INCH
 RIDWL, HS, MERITOR
 BSN: From CSN 30096776 FE 10096696 RE (11/05/01)

Key	PartNumber	Qty	Description	Comment
-----	------------	-----	-------------	---------

FRONT BRAKES, Q-TYPE

DR	BY	Q158541
APP	BY	

© 1985 BLUE BIRD BODY COMPANY
 ALL RIGHTS RESERVED



PAGE 6

Models: A3FE, A3RE, C3FE, CSFE, CSRE, QBRE, TCFE
BRAKE ASSY, REAR
7 INCH
RIDWL, HS, MERITOR
BSN: From CSN 30096776 FE 10096696 RE (11/05/01)

Key	PartNumber	Qty	Description	Comment
1			KIT, BRAKE SHOE & LINING ASSY.	
NI	0034136		KIT,MAJOR OVERHAUL,MERITOR,7"	<i>INCLUDES ITEMS 1, 2, 3, 4, 9, 10, 11, 12</i>
NI	0041750		KIT,MINOR OVERHAUL,HD,8.62,MERITOR	<i>INCLUDES ITEMS 2, 3, 4, 9, 10, 11, 12</i>
2			KIT, SPRING, BRAKE SHOE RETAINING	
3			KIT, BUSHING, ANCHOR PIN	
4			KIT, ANCHOR PIN, BRAKE SHOE	
5	0045311		CAMSHAFT,LH	<i>REAR BRAKE</i>
5	0045312		CAMSHAFT,RH	<i>REAR BRAKE</i>
NI	0044938		KIT,BUSHING & SEAL"	<i>INCLUDES ITEMS 7, 8</i>
NI	0038801		KIT,WASHER & SNAP RING,CAMSHAFT,MERITOR	<i>INCLUDES ITEMS 19, 21, 22</i>
6	8302721		WASHER,CAMHEAD,FLAT	
7			KIT, SEAL, CAMSHAFT	
8			KIT, BUSHING, CAMSHAFT SPIDER & BRKT.	
9			KIT, PIN, BRAKE SHOE RETURN SPRING	
10			KIT, ROLLER, BRAKE SHOE	
11			KIT, RETAINER, SHOE ROLLER	
12			KIT, RETURN SPRING, BRAKE SHOE	
13	0034157		SPIDER,LH/RH,MERITOR	
14	2644235		SEAL,FELT,BRAKE SPIDER	
15	0034270		BRACKET,CAMSHAFT,LH/RH,MERITOR"	
16			WASHER, CHAMBER BRKT.	
17			CAPSCREW, CHAMBER BRKT.	
18			FITTING, GREASE	

Models: A3FE, A3RE, C3FE, CSFE, CSRE, QBRE, TCFE
BRAKE ASSY, REAR
7 INCH
RIDWL, HS, MERITOR
BSN: From CSN 30096776 FE 10096696 RE (11/05/01)

Key	PartNumber	Qty	Description	Comment
19			KIT, WASHER, CAMSHAFT	
20	0045336		KIT,SLACK ADJ,HALDEX	
NI	1233543		KIT ASSY,BRACKET,HALDEX 427-10430	
21			KIT, WASHER, SPACING	
22			KIT, LOCKRING, CAMSHAFT	
NI	0041403		CHAMBER,BRAKE,3030,MGM	
NI	0034225		KIT,CLEVIS,MERITOR	
23	0031492		DUSTSHIELD KIT,AIR BRAKE,16.5X7 QP,23K	
24			KIT, CAPSCREW, DUSTSHIELD	

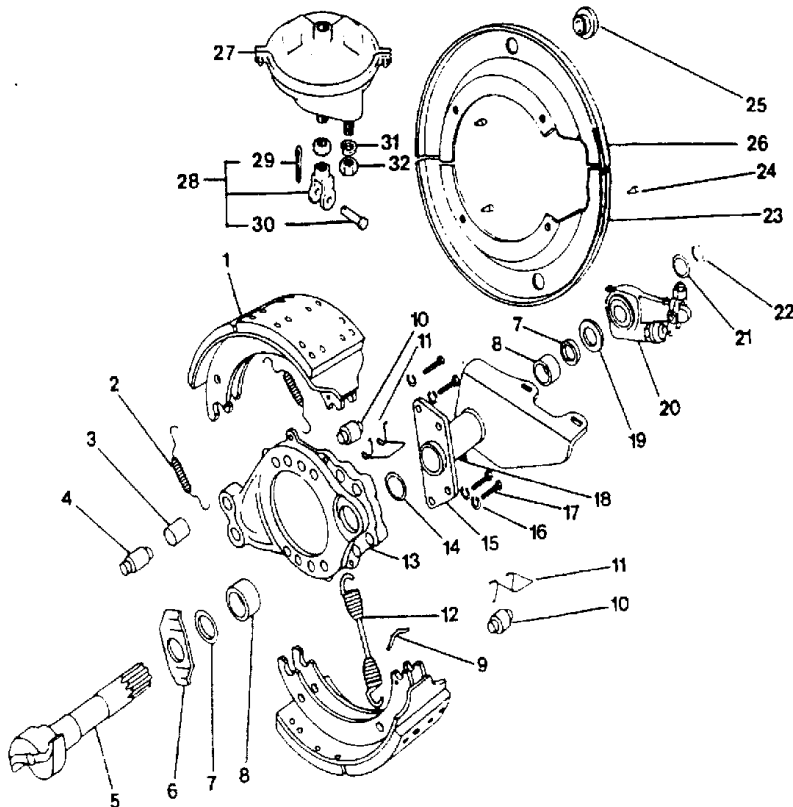
Models: A3FE, A3RE, C3FE, CSFE, CSRE, QBRE, TCFE
 BRAKE ASSY, REAR
 7 INCH
 RIDWL, MS, MERITOR
 BSN: From CSN 30096776 FE 10096696 RE (11/05/01)

Key	PartNumber	Qty	Description	Comment
-----	------------	-----	-------------	---------

FRONT BRAKES, Q-TYPE

DR	BY	Q158541
APP	BY	

© 1985 BLUE BIRD BODY COMPANY
 ALL RIGHTS RESERVED



PAGE 6

Models: A3FE, A3RE, C3FE, CSFE, CSRE, QBRE, TCFE
BRAKE ASSY, REAR
7 INCH
RIDWL, MS, MERITOR
BSN: From CSN 30096776 FE 10096696 RE (11/05/01)

Key	PartNumber	Qty	Description	Comment
1			KIT, BRAKE SHOE & LINING ASSY.	
NI	0034137		KIT,MAJOR OVERHAUL,MERITOR,7"" HD"	<i>INCLUDES ITEMS 1, 2, 3, 4, 9, 10, 11, 12</i>
NI	0041750		KIT,MINOR OVERHAUL,HD,8.62,MERITOR	<i>INCLUDES ITEMS 2, 3, 4, 9, 10, 11, 12</i>
2			KIT, SPRING, BRAKE SHOE RETAINING	
3			KIT, BUSHING, ANCHOR PIN	
4			KIT, ANCHOR PIN, BRAKE SHOE	
5	0029122		CAMSHAFT, LH, Q-TYPE	<i>REAR BARKE</i>
5	0029123		CAMSHAFT, RH, Q TYPE	<i>REAR BRAKE</i>
NI	0044938		KIT,BUSHING & SEAL"	<i>INCLUDES ITEMS 7, 8</i>
NI	0038801		KIT,WASHER & SNAP RING,CAMSHAFT,MERITOR	<i>INCLUDES ITEMS 19, 21, 22</i>
6	8302721		WASHER,CAMHEAD,FLAT	
7			KIT, SEAL, CAMSHAFT	
8			KIT, BUSHING, CAMSHAFT SPIDER & BRKT.	
9			KIT, PIN, BRAKE SHOE RETURN SPRING	
10			KIT, ROLLER, BRAKE SHOE	
11			KIT, RETAINER, SHOE ROLLER	
12			KIT, RETURN SPRING, BRAKE SHOE	
13	0034157		SPIDER,LH/RH,MERITOR	
14	2644235		SEAL,FELT,BRAKE SPIDER	
15	0047766		BRACKET ASSY,CAMSHAFT,LH"	
15	0047767		BRACKET ASSY,CAMSHAFT,RH	
16			WASHER, CHAMBER BRKT.	
17			CAPSCREW, CHAMBER BRKT.	

Models: A3FE, A3RE, C3FE, CSFE, CSRE, QBRE, TCFE
BRAKE ASSY, REAR
7 INCH
RIDWL, MS, MERITOR
BSN: From CSN 30096776 FE 10096696 RE (11/05/01)

Key	PartNumber	Qty	Description	Comment
18			FITTING, GREASE	
19			KIT, WASHER, CAMSHAFT	
20	0034255		SLACK ADJ,MERITOR,6-28,LH,30 CHAMBER"	
20	0034256		SLACK ADJ,MERITOR,6-28,RH,30 CHAMBER"	
	0034286		SLACK ADJ,HALDEX"	
NI	0034893		BRACKET ASSY,SLACK ADJ,HALDEX	<i>HALDEX ONLY</i>
21			KIT, WASHER, SPACING	
22			KIT, LOCKRING, CAMSHAFT	
NI	0041403		CHAMBER,BRAKE,3030,MGM	
NI	0034225		KIT,CLEVIS,MERITOR	
23	0031492		DUSTSHIELD KIT,AIR BRAKE,16.5X7 QP,23K	
24			KIT, CAPSCREW, DUSTSHIELD	

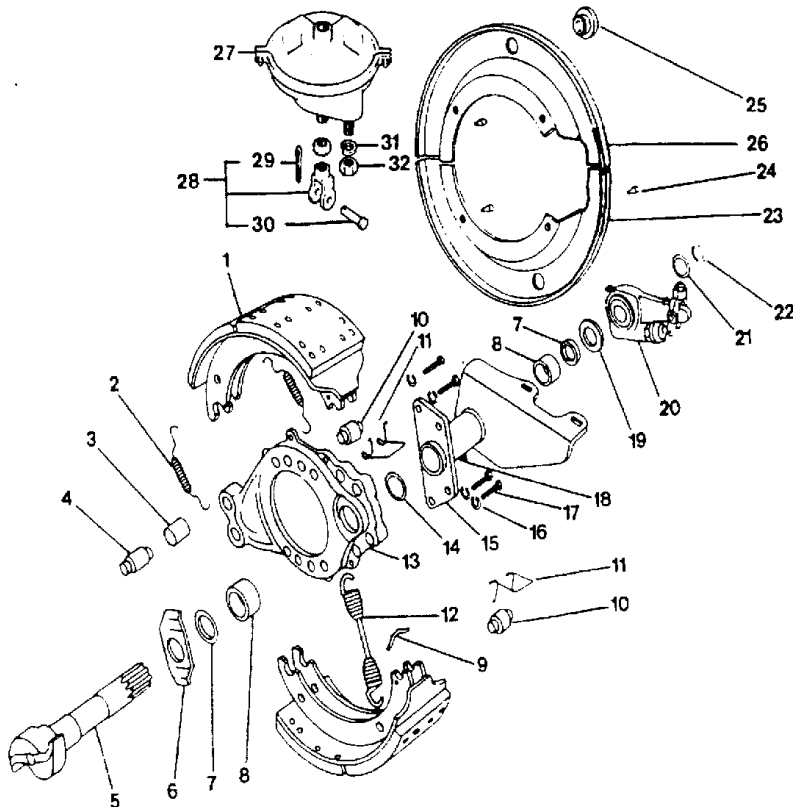
Models: A3FE, A3RE, C3FE, CSFE, CSRE, QBRE, TCFE
 BRAKE ASSY, REAR
 8.62 INCH
 HENDRICKSON, MERITOR
 BSN: From CSN 30096776 FE 10096696 RE (11/05/01)

Key	PartNumber	Qty	Description	Comment
-----	------------	-----	-------------	---------

FRONT BRAKES, Q-TYPE

DR	BY	Q158541
APP	BY	

© 1985 BLUE BIRD BODY COMPANY
 ALL RIGHTS RESERVED



PAGE 6

Models: A3FE, A3RE, C3FE, CSFE, CSRE, QBRE, TCFE
BRAKE ASSY, REAR
8.62 INCH
HENDRICKSON, MERITOR
BSN: From CSN 30096776 FE 10096696 RE (11/05/01)

Key	PartNumber	Qty	Description	Comment
1			KIT, BRAKE SHOE & LINING ASSEMBLY	
NI	0044936		KIT,MAJOR OVERHAUL,15 X 8.62,MERITOR"	<i>INCLUDES ITEMS 1, 2, 3, 4, 9, 10, 11, 12</i>
NI	8305302		KIT,HARDWARE,CAMBRAKE MINOR	<i>INCLUDES ITEMS 2, 3, 4, 9, 10, 11, 12</i>
2			KIT, SPRING, BRAKE SHOE RETAINING	
3			KIT, BUSHING, ANCHOR PIN	
4			KIT, ANCHOR PIN, BRAKE SHOE	
5	0029122		CAMSHAFT, LH, Q-TYPE	
5	0029123		CAMSHAFT, RH, Q TYPE	
NI	0044938		KIT,BUSHING & SEAL"	<i>INCLUDES ITEMS 7, 8</i>
NI	0038801		KIT,WASHER & SNAP RING,CAMSHAFT,MERITOR	<i>INCLUDES ITEMS 19, 21, 22</i>
6	8302721		WASHER,CAMHEAD,FLAT	
7			KIT, SEAL, CAMSHAFT	
8			KIT, BUSHING, CAMSHAFT SPIDER & BRACKET	
9			KIT, PIN, BRAKE SHOE RETURN SPRING	
10			KIT, ROLLER, BRAKE SHOE	
11			KIT, RETAINER, SHOE ROLLER	
12			KIT, RETURN SPRING, BRAKE SHOE	
13	0034157		SPIDER,LH/RH,MERITOR	
14	2644235		SEAL,FELT,BRAKE SPIDER	
15	0047766		BRACKET ASSY,CAMSHAFT,LH"	
15	0047767		BRACKET ASSY,CAMSHAFT,RH	
16			WASHER, CHAMBER BRACKET	
17			CAPSCREW, CHAMBER BRACKET	

Models: A3FE, A3RE, C3FE, CSFE, CSRE, QBRE, TCFE
BRAKE ASSY, REAR
8.62 INCH
HENDRICKSON, MERITOR
BSN: From CSN 30096776 FE 10096696 RE (11/05/01)

Key	PartNumber	Qty	Description	Comment
18			FITTING, GREASE	
19			KIT, WASHER, CAMSHAFT	
20	0034255		SLACK ADJ,MERITOR,6-28,LH,30 CHAMBER"	
20	0034256		SLACK ADJ,MERITOR,6-28,RH,30 CHAMBER"	
20	0034286		SLACK ADJ,HALDEX"	
NI	0034893		BRACKET ASSY,SLACK ADJ,HALDEX	<i>HALDEX ONLY</i>
21			KIT, WASHER, SPACING	
22			KIT, LOCKRING, CAMSHAFT	
NI	0041403		CHAMBER,BRAKE,3030,MGM	
NI	0034225		KIT,CLEVIS,MERITOR	
23	0031493		DUSTSHIELD KIT,AIR BRAKE,16.5X8.62,QP"	
24			KIT, CAPSCREW, DUSTSHIELD	

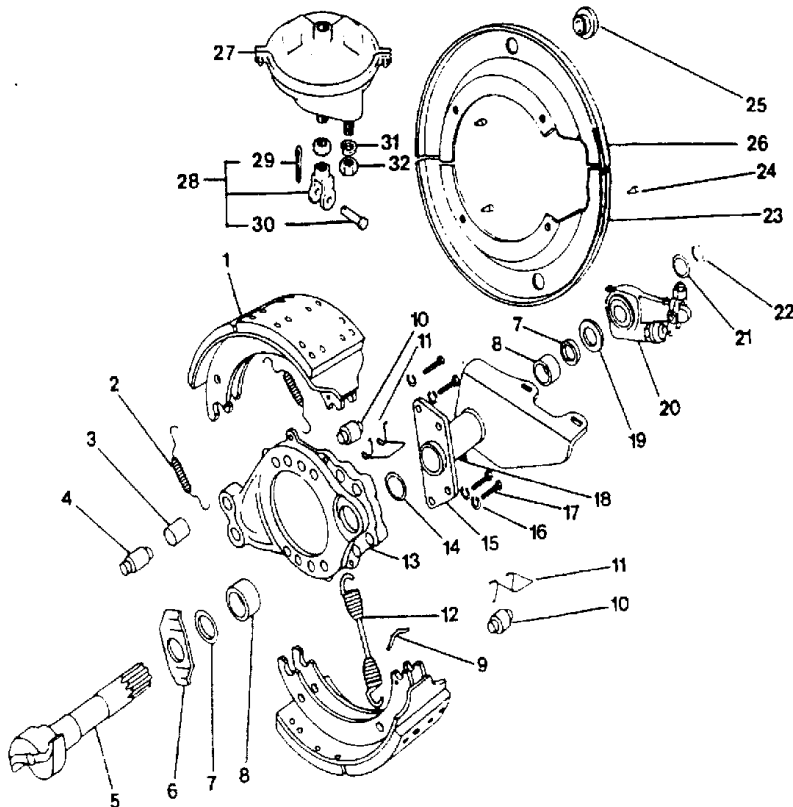
Models: A3FE, A3RE, C3FE, C4RE, CSFE, CSRE, QBRE, TCFE
 BRAKE ASSY, REAR
 8.62 INCH
 RIDWL, HS, MERITOR
 BSN: From CSN 30096776 FE 10096696 RE (11/05/01)

Key	PartNumber	Qty	Description	Comment
-----	------------	-----	-------------	---------

FRONT BRAKES, Q-TYPE

DR	BY	Q158541
APP	BY	

© 1985 BLUE BIRD BODY COMPANY
 ALL RIGHTS RESERVED



PAGE 6

Models: A3FE, A3RE, C3FE, C4RE, CSFE, CSRE, QBRE, TCFE
BRAKE ASSY, REAR
8.62 INCH
RIDWL, HS, MERITOR
BSN: From CSN 30096776 FE 10096696 RE (11/05/01)

Key	PartNumber	Qty	Description	Comment
1			KIT, BRAKE SHOE & LINING ASSEMBLY	
NI	0044936		KIT,MAJOR OVERHAUL,15 X 8.62,MERITOR"	<i>INCLUDES ITEMS 1, 2, 3, 4, 9, 10, 11, 12</i>
NI	8305302		KIT,HARDWARE,CAMBRAKE MINOR	<i>INCLUDES ITEMS 2, 3, 4, 9, 10, 11, 12</i>
2			KIT, SPRING, BRAKE SHOE RETAINING	
3			KIT, BUSHING, ANCHOR PIN	
4			KIT, ANCHOR PIN, BRAKE SHOE	
5	0041751		CAMSHAFT,LH,MERITOR	
5	0041752		CAMSHAFT,RH,MERITOR	
NI	0044938		KIT,BUSHING & SEAL"	<i>INCLUDES ITEMS 7, 8</i>
NI	0038801		KIT,WASHER & SNAP RING,CAMSHAFT,MERITOR	<i>INCLUDES ITEMS 19, 21, 22</i>
6	8302721		WASHER,CAMHEAD,FLAT	
7			KIT, SEAL, CAMSHAFT	
8			KIT, BUSHING, CAMSHAFT SPIDER & BRACKET	
9			KIT, PIN, BRAKE SHOE RETURN SPRING	
10			KIT, ROLLER, BRAKE SHOE	
11			KIT, RETAINER, SHOE ROLLER	
12			KIT, RETURN SPRING, BRAKE SHOE	
13	0034157		SPIDER,LH/RH,MERITOR	
14	2644235		SEAL,FELT,BRAKE SPIDER	
15	0041755		BRACKET,CAMSHAFT,MERITOR	
16			WASHER, CHAMBER BRACKET	
17			CAPSCREW, CHAMBER BRACKET	
18			FITTING, GREASE	

Models: A3FE, A3RE, C3FE, C4RE, CSFE, CSRE, QBRE, TCFE
BRAKE ASSY, REAR
8.62 INCH
RIDWL, HS, MERITOR
BSN: From CSN 30096776 FE 10096696 RE (11/05/01)

Key	PartNumber	Qty	Description	Comment
19			KIT, WASHER, CAMSHAFT	
20	0045339		SLACK ADJ,LH,HALDEX"	
20	0045340		SLACK ADJ,RH,HALDEX"	
NI	1233543		KIT ASSY,BRACKET,HALDEX 427-10430	
21			KIT, WASHER, SPACING	
22			KIT, LOCKRING, CAMSHAFT	
NI	0041403		CHAMBER,BRAKE,3030,MGM	
NI	0034225		KIT,CLEVIS,MERITOR	
23	0031493		DUSTSHIELD KIT,AIR BRAKE,16.5X8.62,QP"	
24			KIT, CAPSCREW, DUSTSHIELD	

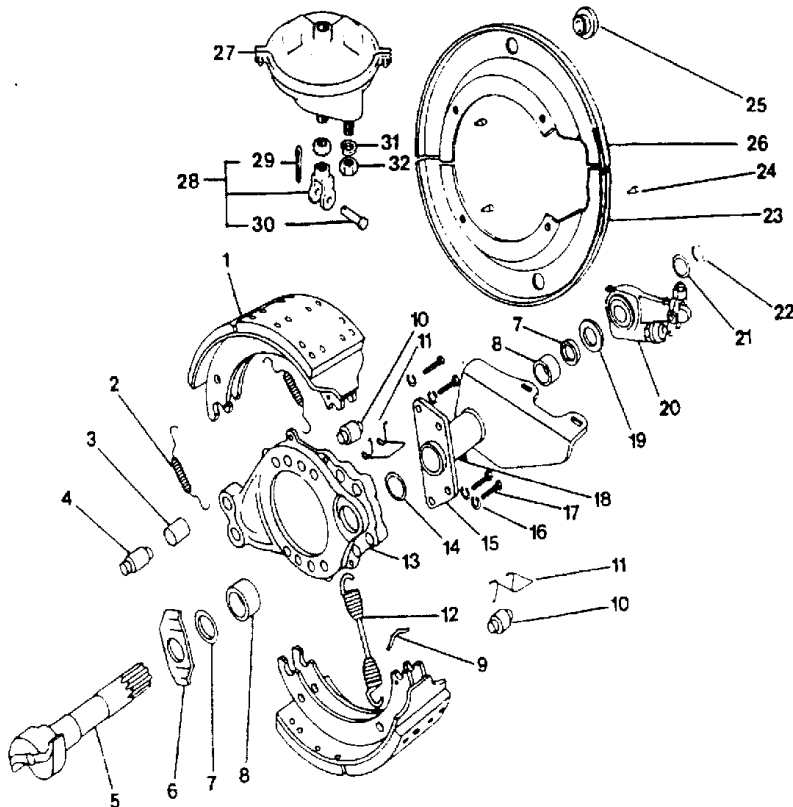
Models: A3FE, A3RE, C3FE, CSFE, CSRE, QBRE, TCFE
 BRAKE ASSY, REAR
 8.62 INCH
 RIDWL, MS, MERITOR
 BSN: From CSN 30096776 FE 10096696 RE (11/05/01)

Key	PartNumber	Qty	Description	Comment
-----	------------	-----	-------------	---------

FRONT BRAKES, Q-TYPE

DR	BY	Q158541
APP	BY	

© 1985 BLUE BIRD BODY COMPANY
 ALL RIGHTS RESERVED



PAGE 6

Models: A3FE, A3RE, C3FE, CSFE, CSRE, QBRE, TCFE
BRAKE ASSY, REAR
8.62 INCH
RIDWL, MS, MERITOR
BSN: From CSN 30096776 FE 10096696 RE (11/05/01)

Key	PartNumber	Qty	Description	Comment
1			KIT, BRAKE SHOE & LINING ASSEMBLY	
NI	0044936		KIT,MAJOR OVERHAUL,15 X 8.62,MERITOR"	<i>INCLUDES ITEMS 1, 2, 3, 4, 9, 10, 11, 12</i>
NI	8305302		KIT,HARDWARE,CAMBRAKE MINOR	<i>INCLUDES ITEMS 2, 3, 4, 9, 10, 11, 12</i>
2			KIT, SPRING, BRAKE SHOE RETAINING	
3			KIT, BUSHING, ANCHOR PIN	
4			KIT, ANCHOR PIN, BRAKE SHOE	
5	0041751		CAMSHAFT,LH,MERITOR	
5	0041752		CAMSHAFT,RH,MERITOR	
NI	0044938		KIT,BUSHING & SEAL"	<i>INCLUDES ITEMS 7, 8</i>
NI	0038801		KIT,WASHER & SNAP RING,CAMSHAFT,MERITOR	<i>INCLUDES ITEMS 19, 21, 22</i>
6	8302721		WASHER,CAMHEAD,FLAT	
7			KIT, SEAL, CAMSHAFT	
8			KIT, BUSHING, CAMSHAFT SPIDER & BRACKET	
9			KIT, PIN, BRAKE SHOE RETURN SPRING	
10			KIT, ROLLER, BRAKE SHOE	
11			KIT, RETAINER, SHOE ROLLER	
12			KIT, RETURN SPRING, BRAKE SHOE	
13	0034157		SPIDER,LH/RH,MERITOR	
14	2644235		SEAL,FELT,BRAKE SPIDER	
15	0041755		BRACKET,CAMSHAFT,MERITOR	
16			WASHER, CHAMBER BRACKET	
17			CAPSCREW, CHAMBER BRACKET	
18			FITTING, GREASE	

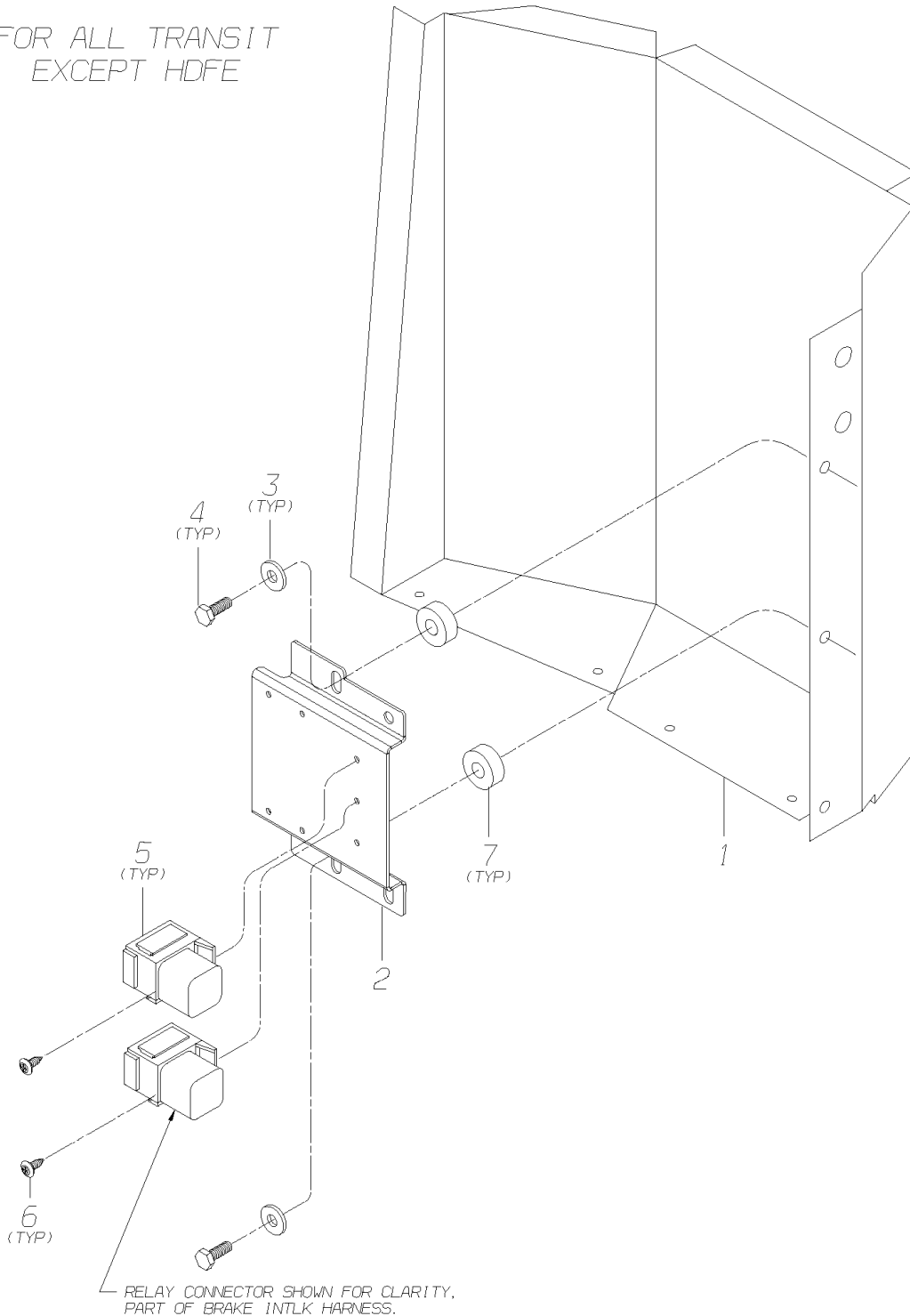
Models: A3FE, A3RE, C3FE, CSFE, CSRE, QBRE, TCFE
BRAKE ASSY, REAR
8.62 INCH
RIDWL, MS, MERITOR
BSN: From CSN 30096776 FE 10096696 RE (11/05/01)

Key	PartNumber	Qty	Description	Comment
19			KIT, WASHER, CAMSHAFT	
20	0034255		SLACK ADJ,MERITOR,6-28,LH,30 CHAMBER"	
20	0034256		SLACK ADJ,MERITOR,6-28,RH,30 CHAMBER"	
21			KIT, WASHER, SPACING	
22			KIT, LOCKRING, CAMSHAFT	
NI	0045348		CHAMBER,BRAKE,MGM,TYPE 30"	
NI	0034225		KIT,CLEVIS,MERITOR	
NI	0045353		YOKE,BRAKE CHAMBER"	
23	0031493		DUSTSHIELD KIT,AIR BRAKE,16.5X8.62,QP"	
24			KIT, CAPSCREW, DUSTSHIELD	

Models: A3FE, A3RE, C3FE
OPTIONAL EQUIPMENT
BRAKE/LIFT INTERLOCK
RELAY INSTALLATION
With: FEATURE 40051

Key	PartNumber	Qty	Description	Comment
-----	------------	-----	-------------	---------

FOR ALL TRANSIT
 EXCEPT HDFE

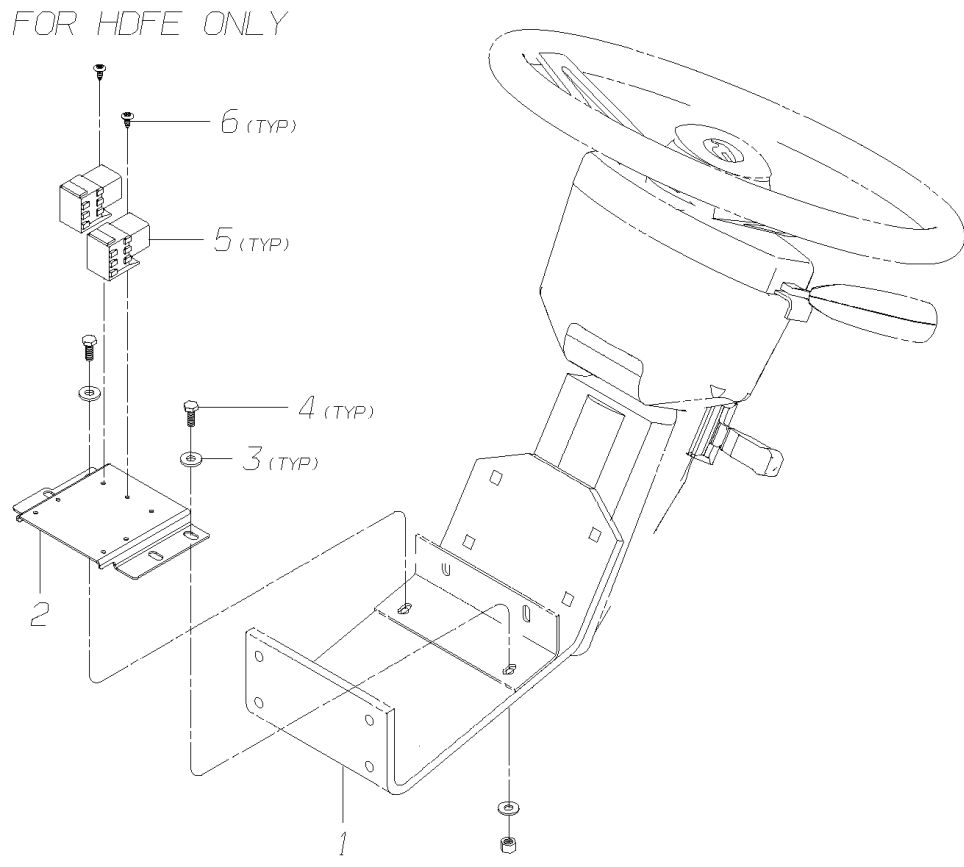


Models: A3FE, A3RE, C3FE
OPTIONAL EQUIPMENT
BRAKE/LIFT INTERLOCK
RELAY INSTALLATION
With: FEATURE 40051

Key	PartNumber	Qty	Description	Comment
1			PANEL ASSY, CLOSEOUT, DRIVER,S SIDE, LH	
2	0018299		BRACKET,MTG,RELAY,SPEED SWITCH	
3			WASHER, FLAT, 5/16 X 3/4 X 5/64, ZINC	
4			CAPSCREW, HEX HEAD, 1/4-20 X 1/2, GR 8,	
4	2000057	2	CAPSCREW,HEX HD,1/4-20 X 1,GR 5,YEL ZN	
5	1868017	2	RELAY,POTTER BRUMFIELD VF4-15F11-S01	
6	2186401	2	SCREW,10-16 X 1/2,AB,PH1,PAN HD,YEL ZN	
7	1202670	2	SPACER,1 OD X 13/32 ID X 3/8	

Models: A3FE, C3FE
OPTIONAL EQUIPMENT
BRAKE/LIFT INTERLOCK
RELAY INSTALLATION
With: FEATURE 40051

Key	PartNumber	Qty	Description	Comment
-----	------------	-----	-------------	---------



Models: A3FE, C3FE
OPTIONAL EQUIPMENT
BRAKE/LIFT INTERLOCK
RELAY INSTALLATION
With: FEATURE 40051

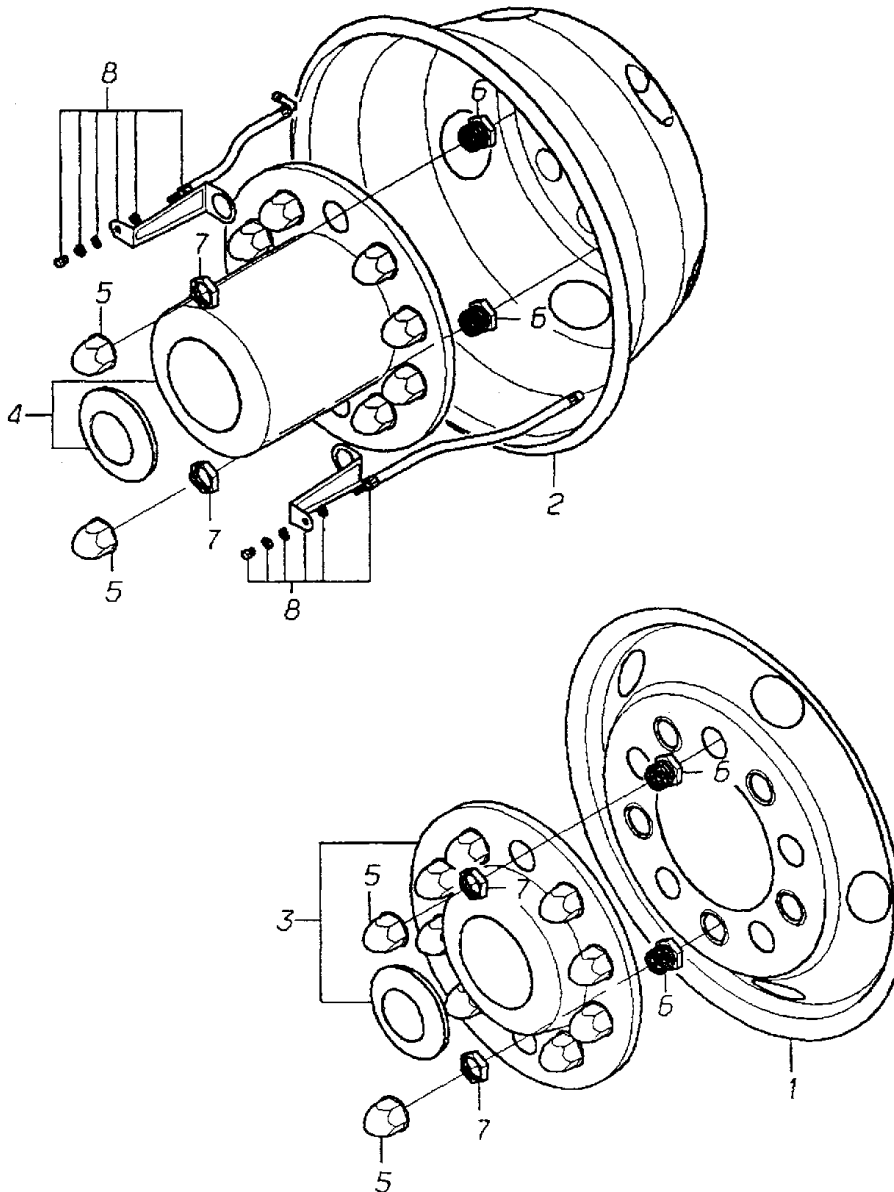
Key	PartNumber	Qty	Description	Comment
1			BRACKET, MTG, STEERING COLUMN	
2	0018299		BRACKET,MTG,RELAY,SPEED SWITCH	
3			WASHER, FLAT, 5/16 X 3/4 X 5/64, ZINC	
4			CAPSCREW, HEX HEAD, 1/4-20 X 1/2, GR 8,	
5	1868017	2	RELAY,POTTER BRUMFIELD VF4-15F11-S01	
6	2186401	2	SCREW,10-16 X 1/2,AB,PH1,PAN HD,YEL ZN	

Models: A3FE, A3RE, C3FE, CSFE, CSRE, QBRE, TCFE, TCRE
OPTIONAL EQUIPMENT
HUB COVERS
With: STAINLESS STEEL, PHOENIX WITH HUB PILOTED WHEELS
 FEATURE 40441-04, 05, OPTION 25347

Key	PartNumber	Qty	Description	Comment
-----	------------	-----	-------------	---------

DR. 10-4-94	BY AJK	1721778	REV
APP. 10-4-94	BY DCV		

© BLUE BIRD BODY COMPANY, ALL RIGHTS RESERVED



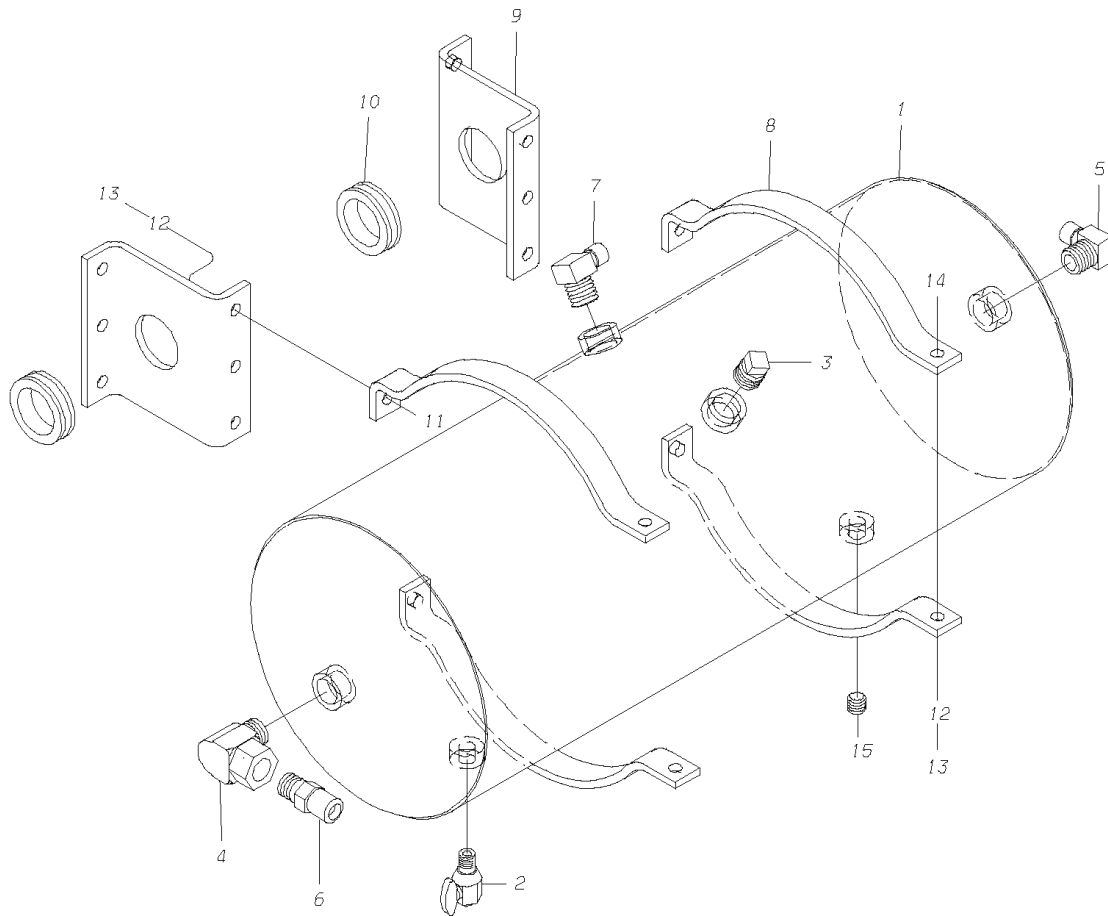
PAGE 040

Models: A3FE, A3RE, C3FE, CSFE, CSRE, QBRE, TCFE, TCRE
OPTIONAL EQUIPMENT
HUB COVERS
With: STAINLESS STEEL, PHOENIX WITH HUB PILOTED WHEELS
 FEATURE 40441-04, 05, OPTION 25347

Key	PartNumber	Qty	Description	Comment
1	0035073	2	COVER,HUB,SST,FRONT,22.50,HUB PILOTED	
1	4322574	2	CAP,CENTER,HUB CVR,ALUM WHEELS"	
2	0020637	2	COVER HUB, REAR SST, 7-5 HUB PILOTED	
	4322574	2	CAP,CENTER,HUB CVR,ALUM WHEELS"	
3	0030661	8	COVER,LUG NUT,WHEEL LINER FRT/RR	
4	0035074	8	STUD,EXTENDER,22 MM,HUB PILOTED	
5	0035075	8	JAM NUT,HUB PILOTED	
6	4326344	1	KIT,TIRE INFLATOR,DUAL WHEELS,SST	
NI	0035076	1	TOOL,INSTALLATION,HUB PILOTED	

Models: A3FE, C3FE
**RESERVOIR ASSY
 FRONT**
With: FEATURE 40081-01
BSN: From CSN 30061725 (05/30/00)

Key	PartNumber	Qty	Description	Comment
-----	------------	-----	-------------	---------

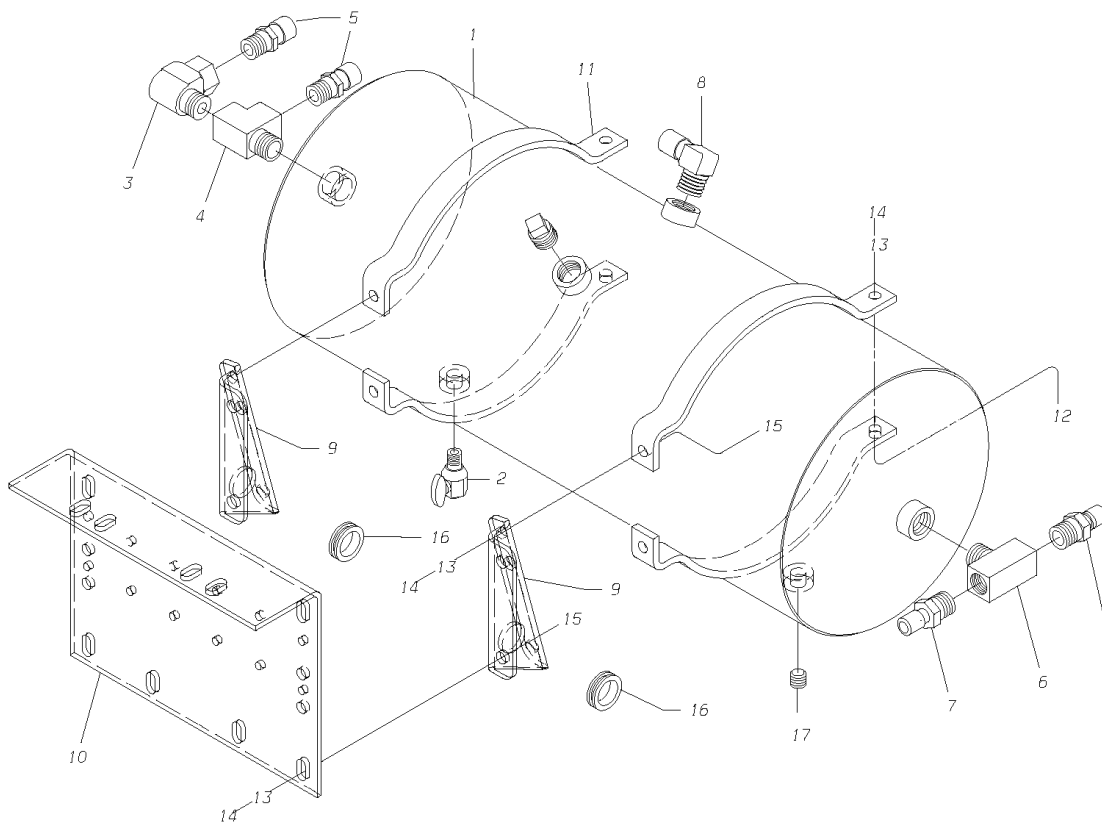


Models: A3FE, C3FE
**RESERVOIR ASSY
 FRONT**
With: FEATURE 40081-01
BSN: From CSN 30061725 (05/30/00)

Key	PartNumber	Qty	Description	Comment
1	0991513	1	RESERVOIR,9 1/2 X 27 - 1760 CU.IN.	
2	1110188	1	VALVE,RESERVOIR,DRAIN	
3	0663427	1	PLUG,PIPE,1/2 SQ HD,3151 X 8Z,BRASS	
4	0001135	1	VALVE,SINGLE CHECK,1/2 PIPE,90 DEGREE	
5	0009909	1	ELBOW,90 DEG,MALE1869X6X8-Z,.50MPT	
6	0009920	1	CONNECTOR,MALE,1868X8X8-Z,.50MPT X .50T"	
7	0009907	1	ELBOW,90 DEG,MALE1869X8X8-Z,.50MPT	
8	0850586	4	BRACKET,MTG,9 1/2IN,AIR RESERVOIR	
9	0003315	2	SPACER,AIR RESERVOIR BRACKET,HDFE	
10	2003176	2	GROMMET,HEATER HOSE,1 1/2IN ID	
11	0803213	4	CAPSCREW,HEX HD,3/8-16X1 1/4,GR8,YEL	
12	1107085	6	WASHER,FLAT,13/32 X 13/16 X 3/32,HDN,BLK	
13	0826297	6	NUT,HEX HD,3/8-16 LOCK,YEL ZN DICH	
14	0851337	2	CAPSCREW,HEX HD,3/8-16X6 1/2,GR5,YEL	
15	2023513	1	PLUG,PIPE,1/4,ALLEN HEX HD,BRASS	

Models: **A3FE, C3FE**
RESERVOIR ASSY
REAR
AIR SUSPENSION

Key	PartNumber	Qty	Description	Comment
-----	------------	-----	-------------	---------



Models: A3FE, C3FE
RESERVOIR ASSY
REAR
AIR SUSPENSION


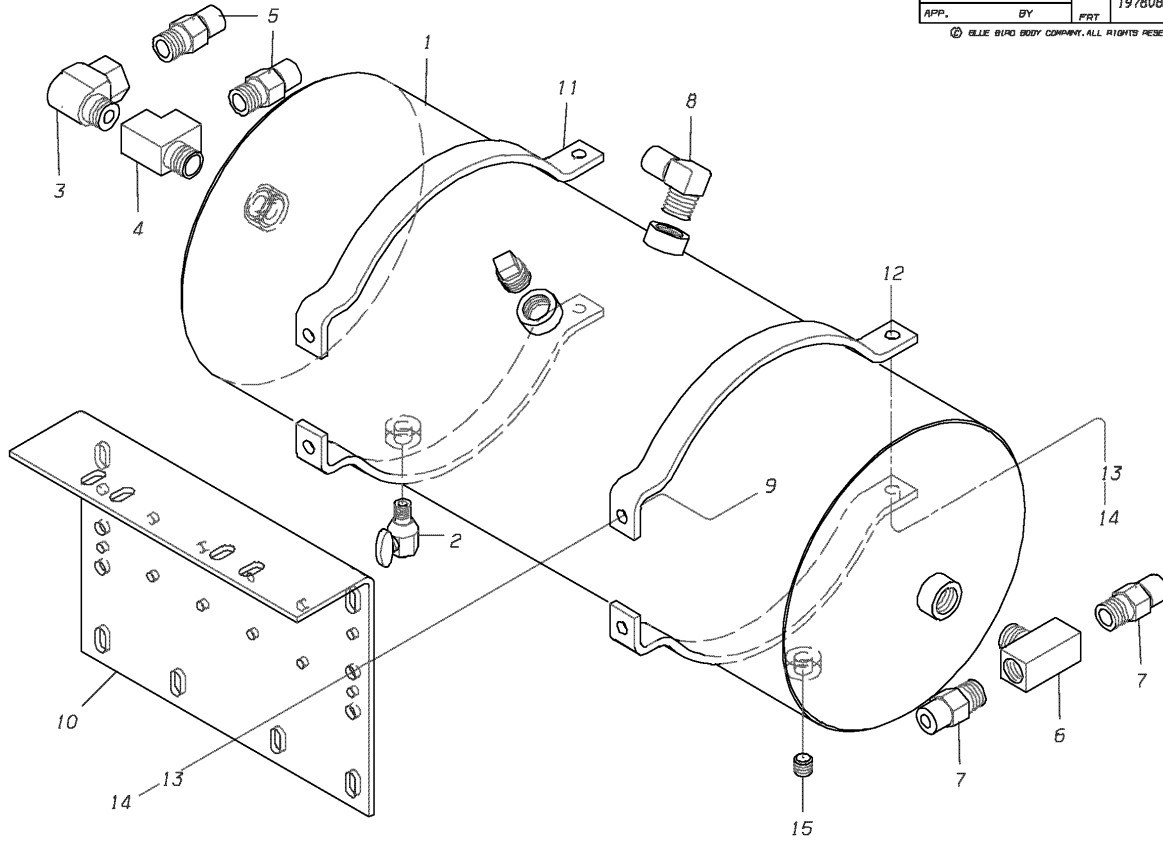
Key	PartNumber	Qty	Description	Comment
1	0991513		RESERVOIR,9 1/2 X 27 - 1760 CU.IN.	
2	1110188		VALVE,RESERVOIR,DRAIN	
3	0001135		VALVE,SINGLE CHECK,1/2 PIPE,90 DEGREE	
4	0654350		TEE,1/2 PIPE,STREET	
5	0009920	2	CONNECTOR,MALE,1868X8X8-Z,.50MPT X .50T"	
6	1545730		TEE,STREET,1/2MPT X 1/2FPT X	
7	0009919	2	CONNECTOR,MALE,1868X6X8-Z,.50MPT X .38T"	
8	0009907		ELBOW,90 DEG,MALE1869X8X8-Z,.50MPT	
9	0064315	2	BRACKET,MTG,AIR TANK,ANGLED,HDFE	
10	1999911		BRACKET,MTG,OPTIONAL AIR TANK,UPPER"	
11	0850586	4	BRACKET,MTG,9 1/2IN,AIR RESERVOIR	
12	0851337	2	CAPSCREW,HEX HD,3/8-16X6 1/2,GR5,YEL	
13	1107085	10	WASHER,FLAT,13/32 X 13/16 X 3/32,HDN,BLK	
14	0826297	10	NUT,HEX HD,3/8-16 LOCK,YEL ZN DICH	
15	0803213	8	CAPSCREW,HEX HD,3/8-16X1 1/4,GR8,YEL	
16	2003234	2	GROMMET,RUBBER,CHASSIS COWL WIRES,3/4	
17	2023513		PLUG,PIPE,1/4,ALLEN HEX HD,BRASS	

Models: A3FE, C3FE
**RESERVOIR ASSY
 REAR
 SPRING SUSPENSION**
BSN: From CSN 30038175 (08/09/99)

Key	PartNumber	Qty	Description	Comment
-----	------------	-----	-------------	---------

DR. 03/06/02	BY TFM	1978089	C
APP.	BY	PRT	REV.

© BLUE BIRD BODY COMPANY. ALL RIGHTS RESERVED

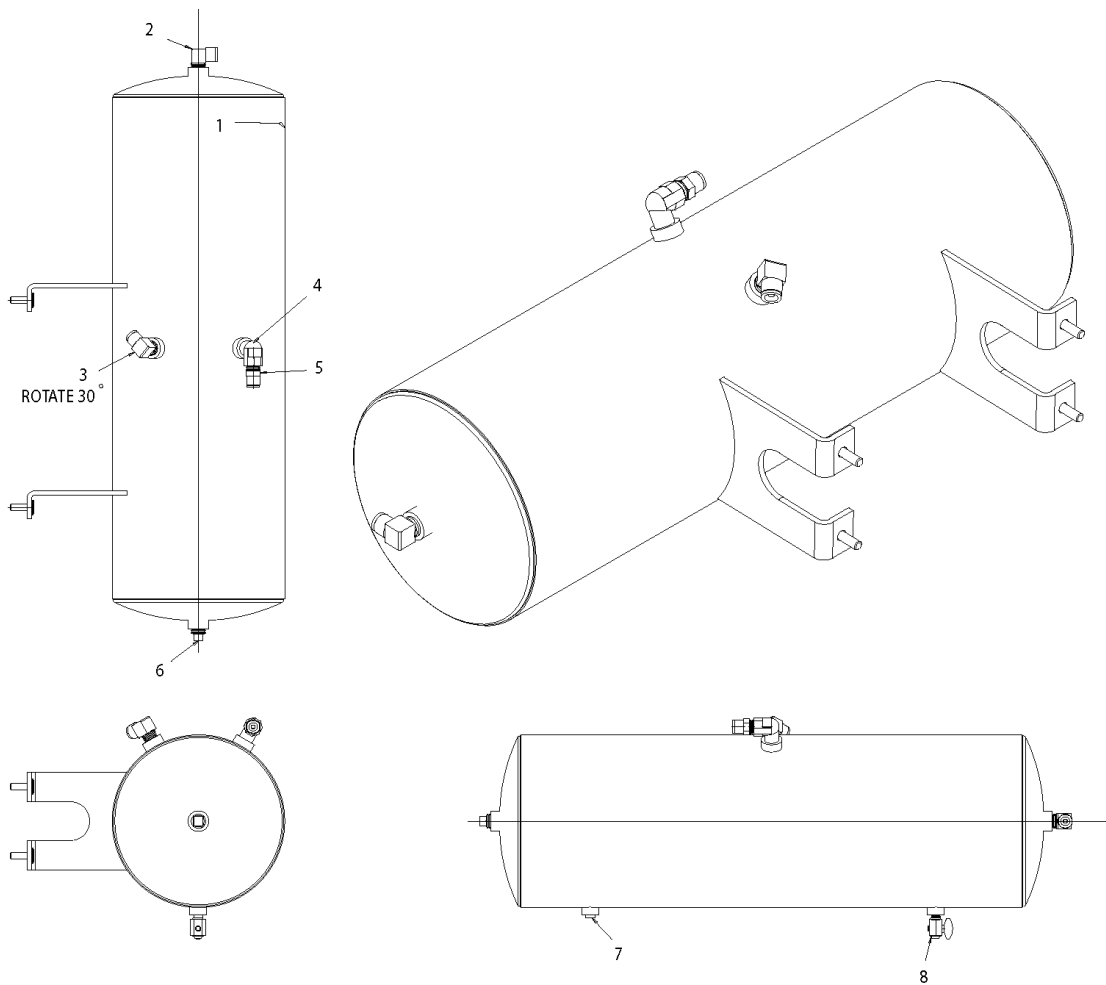



Models: A3FE, C3FE
RESERVOIR ASSY
REAR
SPRING SUSPENSION
BSN: From CSN 30038175 (08/09/99)

Key	PartNumber	Qty	Description	Comment
1	0991513		RESERVOIR,9 1/2 X 27 - 1760 CU.IN.	
2	1110188		VALVE,RESERVOIR,DRAIN	
3	0001135		VALVE,SINGLE CHECK,1/2 PIPE,90 DEGREE	
4	0654350		TEE,1/2 PIPE,STREET	
5	0009920	2	CONNECTOR,MALE,1868X8X8-Z,.50MPT X .50T"	
6	1545730	1	TEE,STREET,1/2MPT X 1/2FPT X	
7	0009919	2	CONNECTOR,MALE,1868X6X8-Z,.50MPT X .38T"	
8	0009907	1	ELBOW,90 DEG,MALE1869X8X8-Z,.50MPT	
9	0803213	4	CAPSCREW,HEX HD,3/8-16X1 1/4,GR8,YEL	
10	1999911		BRACKET,MTG,OPTIONAL AIR TANK,UPPER"	
11	0850586	4	BRACKET,MTG,9 1/2IN,AIR RESERVOIR	
12	0851337	2	CAPSCREW,HEX HD,3/8-16X6 1/2,GR5,YEL	
13	1107085	8	WASHER,FLAT,13/32 X 13/16 X 3/32,HDN,BLK	
14	0826297	8	NUT,HEX HD,3/8-16 LOCK,YEL ZN DICH	
15	2023513		PLUG,PIPE,1/4,ALLEN HEX HD,BRASS	

Models: A3FE, C3FE, BBCV, BCCV
RESERVOIR ASSY
SECONDARY TANK
BSN: From CSN F0243000 (07/03/06)

Key	PartNumber	Qty	Description	Comment
-----	------------	-----	-------------	---------

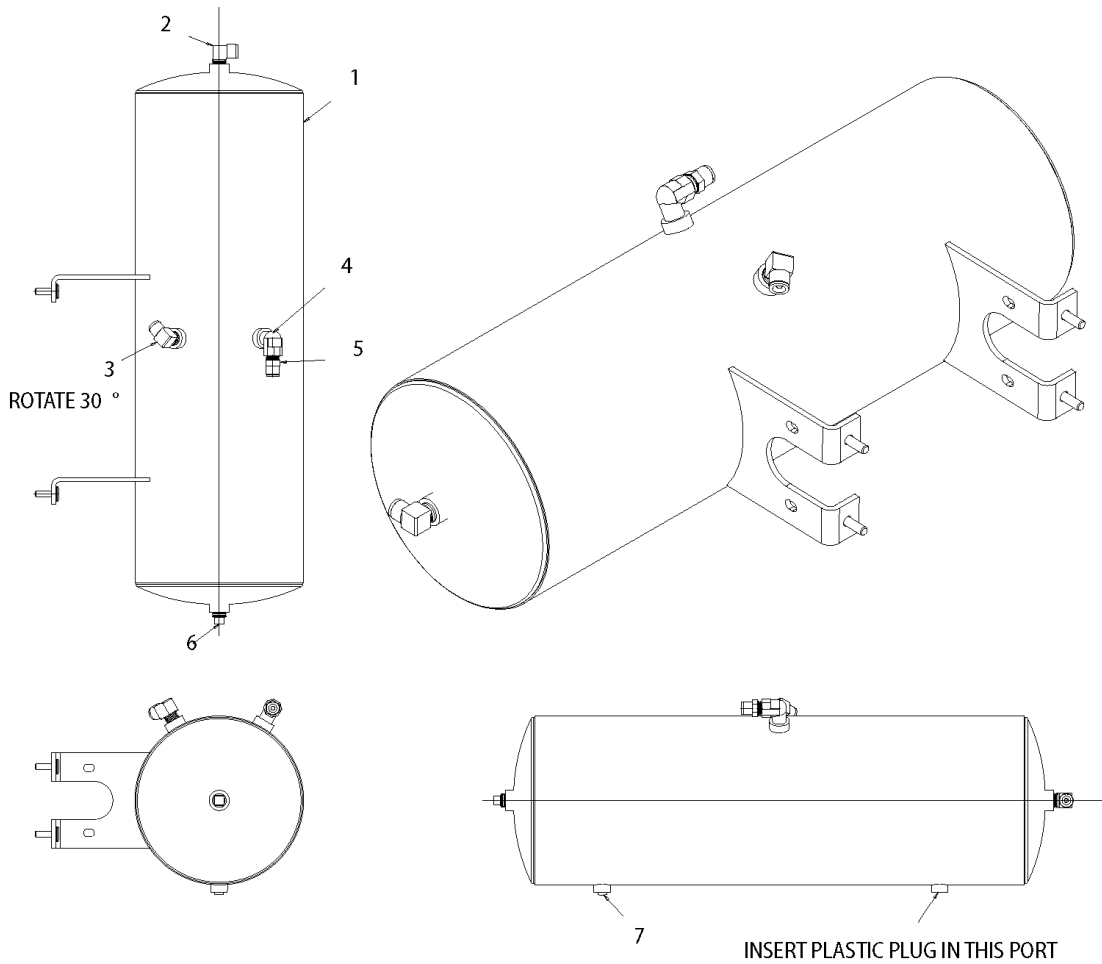


Models: A3FE, C3FE, BBCV, BCCV
RESERVOIR ASSY
SECONDARY TANK
BSN: From CSN F0243000 (07/03/06)

Key	PartNumber	Qty	Description	Comment
1	0102273		RESERVOIR ASSY,WELD,SECONDARY	
2	0009908		ELBOW,90 DEG,MALE1869X10-Z,.50MPT X .63T	
3	0009907		ELBOW,90 DEG,MALE1869X8X8-Z,.50MPT	
4	0001135		VALVE,SINGLE CHECK,1/2 PIPE,90 DEGREE	
5	0009920		CONNECTOR,MALE,1868X8X8-Z,.50MPT X .50T"	
6	0663427		PLUG,PIPE,1/2 SQ HD,3151 X 8Z,BRASS	
7	2023513		PLUG,PIPE,1/4,ALLEN HEX HD,BRASS	
8	1110188		VALVE,RESERVOIR,DRAIN	

Models: BBCV, A3FE, C3FE
RESERVOIR ASSY
SECONDARY TANK
With: WITH FEATURE 40081-07 OR -13 OR -16
BSN: From CSN F0243300 BBCV

Key	PartNumber	Qty	Description	Comment
-----	------------	-----	-------------	---------

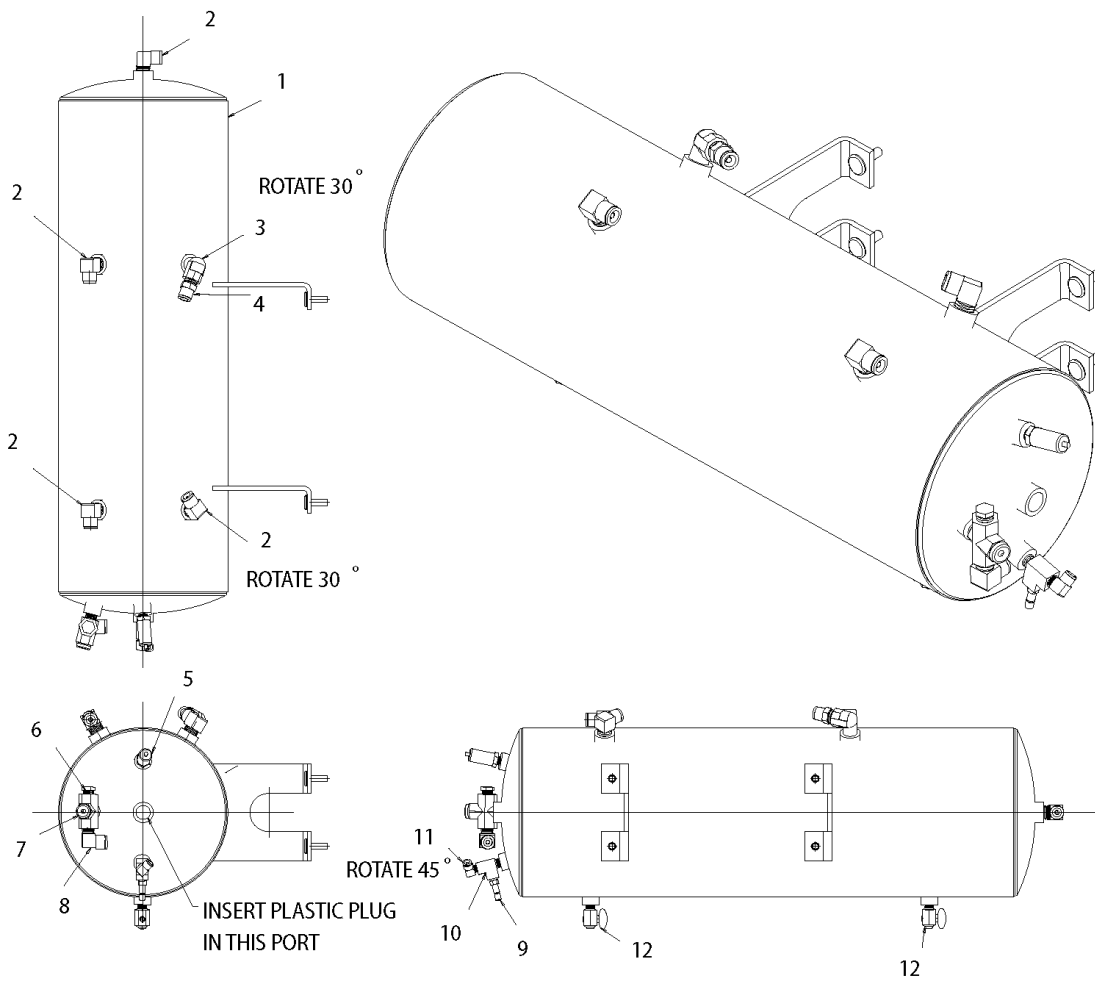


Models: BBCV, A3FE, C3FE
RESERVOIR ASSY
SECONDARY TANK
With: WITH FEATURE 40081-07 OR -13 OR -16
BSN: From CSN F0243300 BBCV

Key	PartNumber	Qty	Description	Comment
1	0102273	1	RESERVOIR ASSY,WELD,SECONDARY	
2	0009908	1	ELBOW,90 DEG,MALE1869X10-Z,.50MPT X .63T	
3	0009907	1	ELBOW,90 DEG,MALE1869X8X8-Z,.50MPT	
4	0001135	1	VALVE,SINGLE CHECK,1/2 PIPE,90 DEGREE	
5	0009920	1	CONNECTOR,MALE,1868X8X8-Z,.50MPT X .50T"	
6	0663427	1	PLUG,PIPE,1/2 SQ HD,3151 X 8Z,BRASS	
7	2023513	1	PLUG,PIPE,1/4,ALLEN HEX HD,BRASS	

Models: A3FE, C3FE, BBCV, BCCV
RESERVOIR ASSY
WET AND PRIMARY
BSN: From CSN F0243000 (07/03/06)

Key	PartNumber	Qty	Description	Comment
-----	------------	-----	-------------	---------

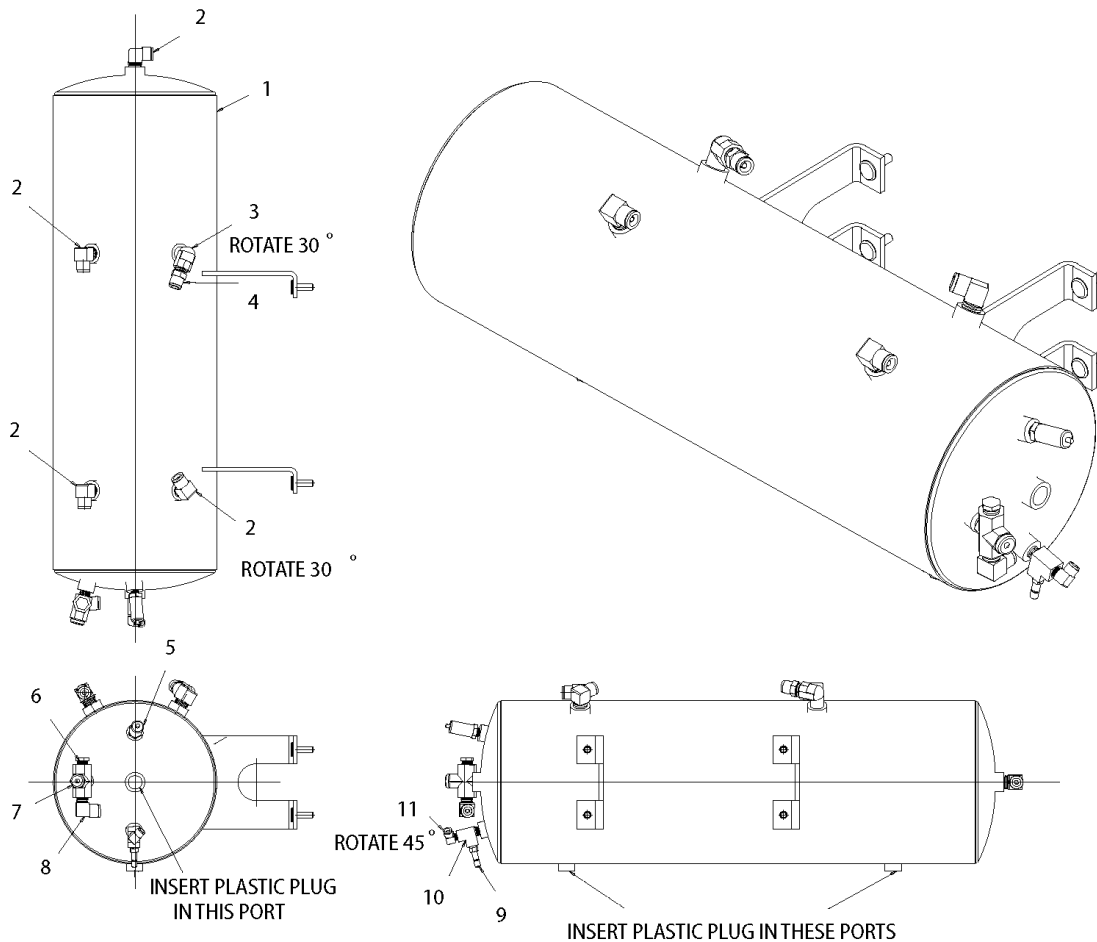


Models: A3FE, C3FE, BBCV, BCCV
**RESERVOIR ASSY
 WET AND PRIMARY**
BSN: From CSN F0243000 (07/03/06)

Key	PartNumber	Qty	Description	Comment
1	0102274		RESERVOIR ASSY, WELDMENT, WET PRIMARY	
2	0009907		ELBOW,90 DEG,MALE1869X8X8-Z,.50MPT	
3	0001135		VALVE,SINGLE CHECK,1/2 PIPE,90 DEGREE	
4	0009920		CONNECTOR,MALE,1868X8X8-Z,.50MPT X .50T"	
5	0839019		VALVE,SAFETY,1/4IN PIPE,BW NO284142	
6	3772159		PLUG,PIPE,0.375,BRASS W/SEALANT,HEX HD	
7	1344183		VALVE,PRESS PROTECTION,66 PSI,GT	
8	0009911		ELBOW,90 DEG,MALE1869X6X6-Z,.38MPT	
9	0818609		VALVE,SCHRADER,1/4 MPT	
10	0654277		TEE,STREET,1/4 PIPE,3750X4	
11	0009912		ELBOW,90 DEG,MALE1869X4X4-Z,.25MPT	
12	1110188		VALVE,RESERVOIR,DRAIN	

Models: BBCV, A3FE, C3FE
RESERVOIR ASSY
WET AND PRIMARY
With: WITH FEATURE 40081-07 OR -13 OR -16
BSN: From CSN F0243300 BBCV

Key	PartNumber	Qty	Description	Comment
-----	------------	-----	-------------	---------

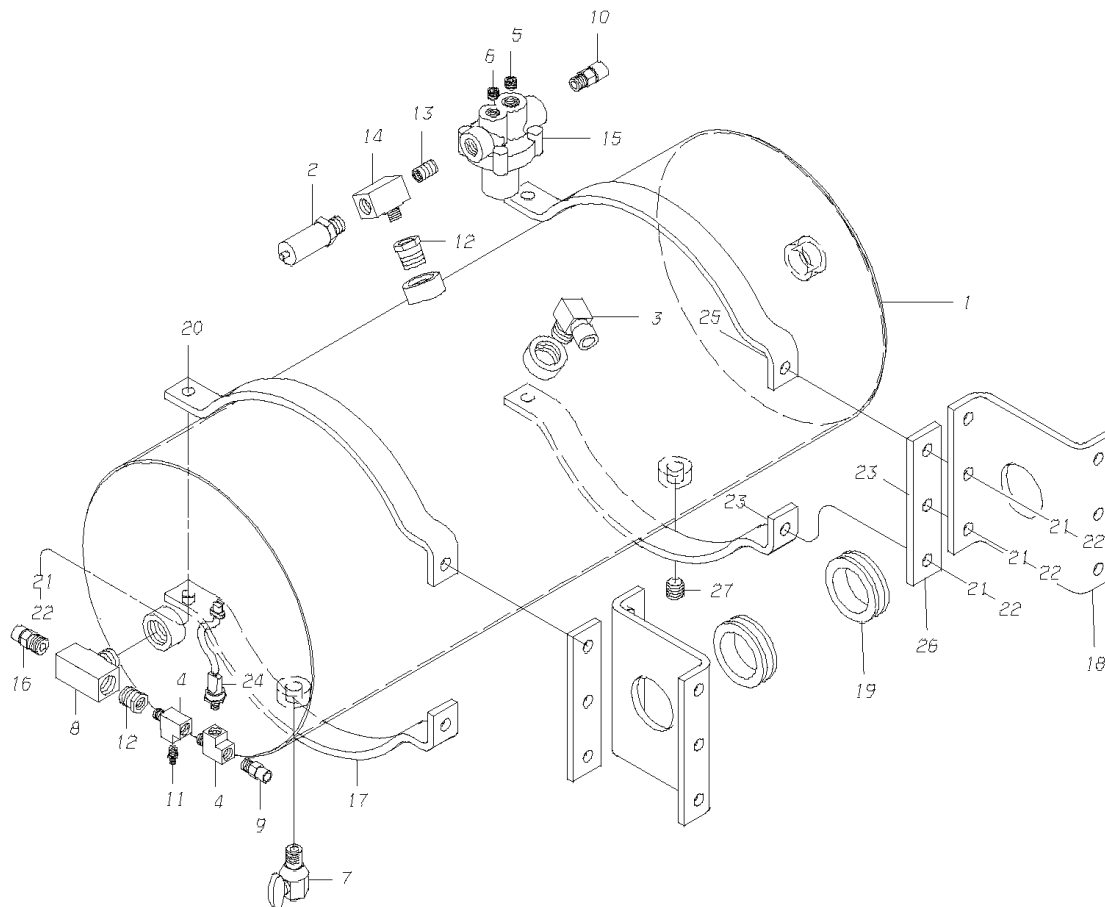


Models: BBCV, A3FE, C3FE
RESERVOIR ASSY
WET AND PRIMARY
With: WITH FEATURE 40081-07 OR -13 OR -16
BSN: From CSN F0243300 BBCV

Key	PartNumber	Qty	Description	Comment
1	0102274	1	RESERVOIR ASSY, WELDMENT, WET PRIMARY	
2	0009907	4	ELBOW,90 DEG,MALE1869X8X8-Z,.50MPT	
3	0001135	1	VALVE,SINGLE CHECK,1/2 PIPE,90 DEGREE	
4	0009920	1	CONNECTOR,MALE,1868X8X8-Z,.50MPT X .50T"	
5	0839019	1	VALVE,SAFETY,1/4IN PIPE,BW NO284142	
6	3772159	1	PLUG,PIPE,0.375,BRASS W/SEALANT,HEX HD	
7	1344183	1	VALVE,PRESS PROTECTION,66 PSI,GT	
8	0009911	1	ELBOW,90 DEG,MALE1869X6X6-Z,.38MPT	
9	0818609	1	VALVE,SCHRADER,1/4 MPT	
10	0654277	1	TEE,STREET,1/4 PIPE,3750X4	
11	0009912	2	ELBOW,90 DEG,MALE1869X4X4-Z,.25MPT	

Models: A3FE, C3FE
RESERVOIR ASSY
WET TANK
BSN: From CSN 30043335 (11/01/99)

Key	PartNumber	Qty	Description	Comment
-----	------------	-----	-------------	---------



Models: A3FE, C3FE
RESERVOIR ASSY
WET TANK
BSN: From CSN 30043335 (11/01/99)

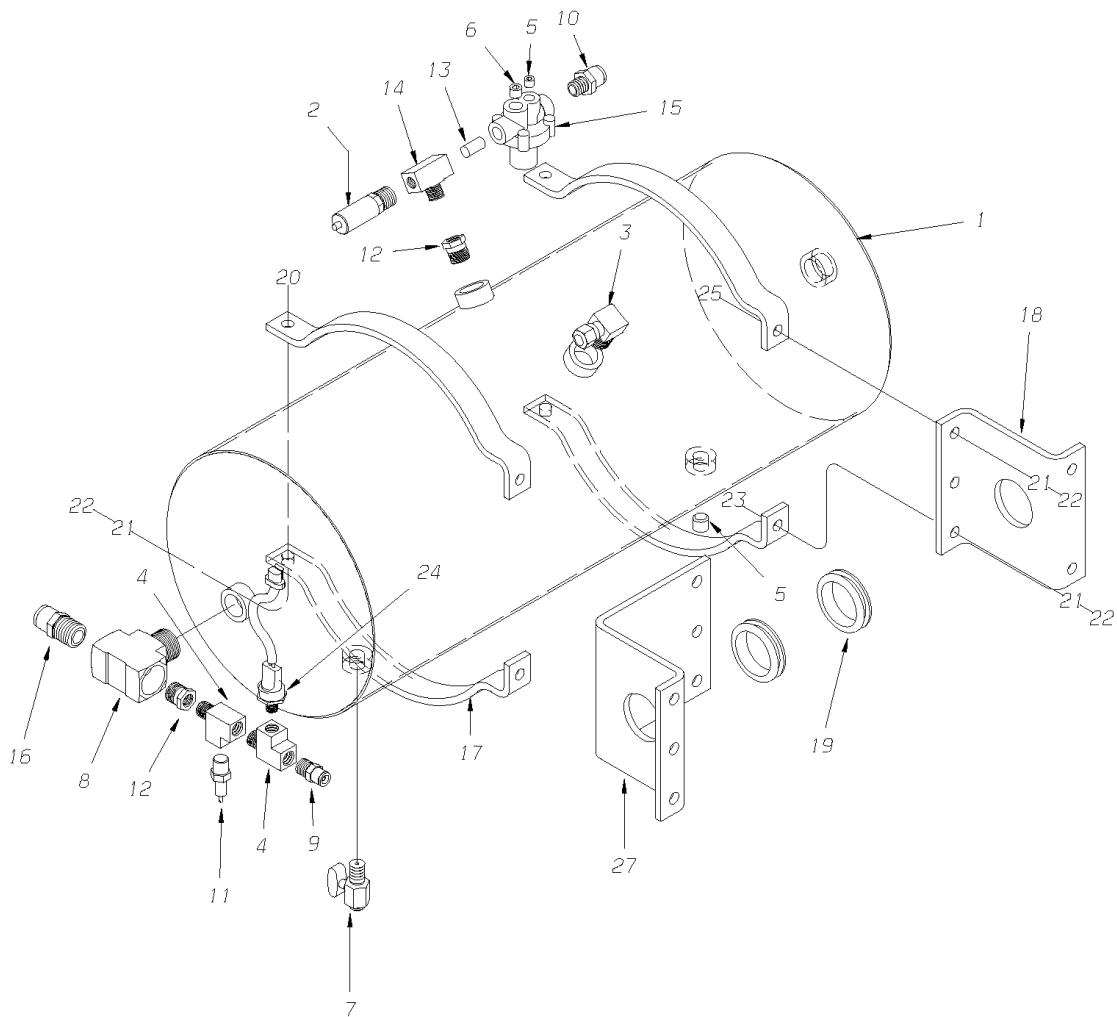
Key	PartNumber	Qty	Description	Comment
1	0991513	1	RESERVOIR,9 1/2 X 27 - 1760 CU.IN.	
2	0839019		VALVE,SAFETY,1/4IN PIPE,BW NO284142	
3	0009907		ELBOW,90 DEG,MALE1869X8X8-Z,.50MPT	
4	0654277	2	TEE,STREET,1/4 PIPE,3750X4	
5	2023513	1	PLUG,PIPE,1/4,ALLEN HEX HD,BRASS	
6	2027118	1	PLUG,1/8 PIPE	
7	1110188		VALVE,RESERVOIR,DRAIN	
8	1545730	1	TEE,STREET,1/2MPT X 1/2FPT X	
9	0009922	1	CONNECTOR,MALE,1868X4X4-Z,.25MPT X .25T"	
10	0009924		CONNECTOR,MALE,1868X6-Z,.25MPT X .38T"	
11	0818609		VALVE,SCHRADER,1/4 MPT	
12	2027134	2	BUSHING,PIPE,3/8 X 1/4,BRASS	
13	2027183		NIPPLE,1/4 CLOSE,BRASS	
14	0559047		TEE,MALE,BRANCH,1/4 PIPE,3600X4	
15	0522508		VALVE,PRESS PROTECTION,65 PSI	
16	0009920		CONNECTOR,MALE,1868X8X8-Z,.50MPT X .50T"	
17	0850586	4	BRACKET,MTG,9 1/2IN,AIR RESERVOIR	
18	0003315	2	SPACER,AIR RESERVOIR BRACKET,HDFE	
19	2003176	2	GROMMET,HEATER HOSE,1 1/2IN ID	
20	0851337	2	CAPSCREW,HEX HD,3/8-16X6 1/2,GR5,YEL	
21	1107085	8	WASHER,FLAT,13/32 X 13/16 X 3/32,HDN,BLK	
22	0826297	8	NUT,HEX HD,3/8-16 LOCK,YEL ZN DICH	
23	0803213	4	CAPSCREW,HEX HD,3/8-16X1 1/4,GR8,YEL	

Models: A3FE, C3FE
RESERVOIR ASSY
WET TANK
BSN: From CSN 30043335 (11/01/99)

Key	PartNumber	Qty	Description	Comment
24	1659234		SWITCH,LOW AIR WARNING,TCFE/RE	
25	0803171	2	CAPSCREW,HEXHD,3/8-16NCX1-1/2,GR8,	
26	0029125	2	BRACKET,MTG,OFFSET,RESERVOIR ASSY	
27	2023513		PLUG,PIPE,1/4,ALLEN HEX HD,BRASS	

Models: **A3FE, C3FE**
RESERVOIR ASSY
WET TANK
AMBULANCE

Key	PartNumber	Qty	Description	Comment
-----	------------	-----	-------------	---------



Models: A3FE, C3FE
RESERVOIR ASSY
WET TANK
AMBULANCE

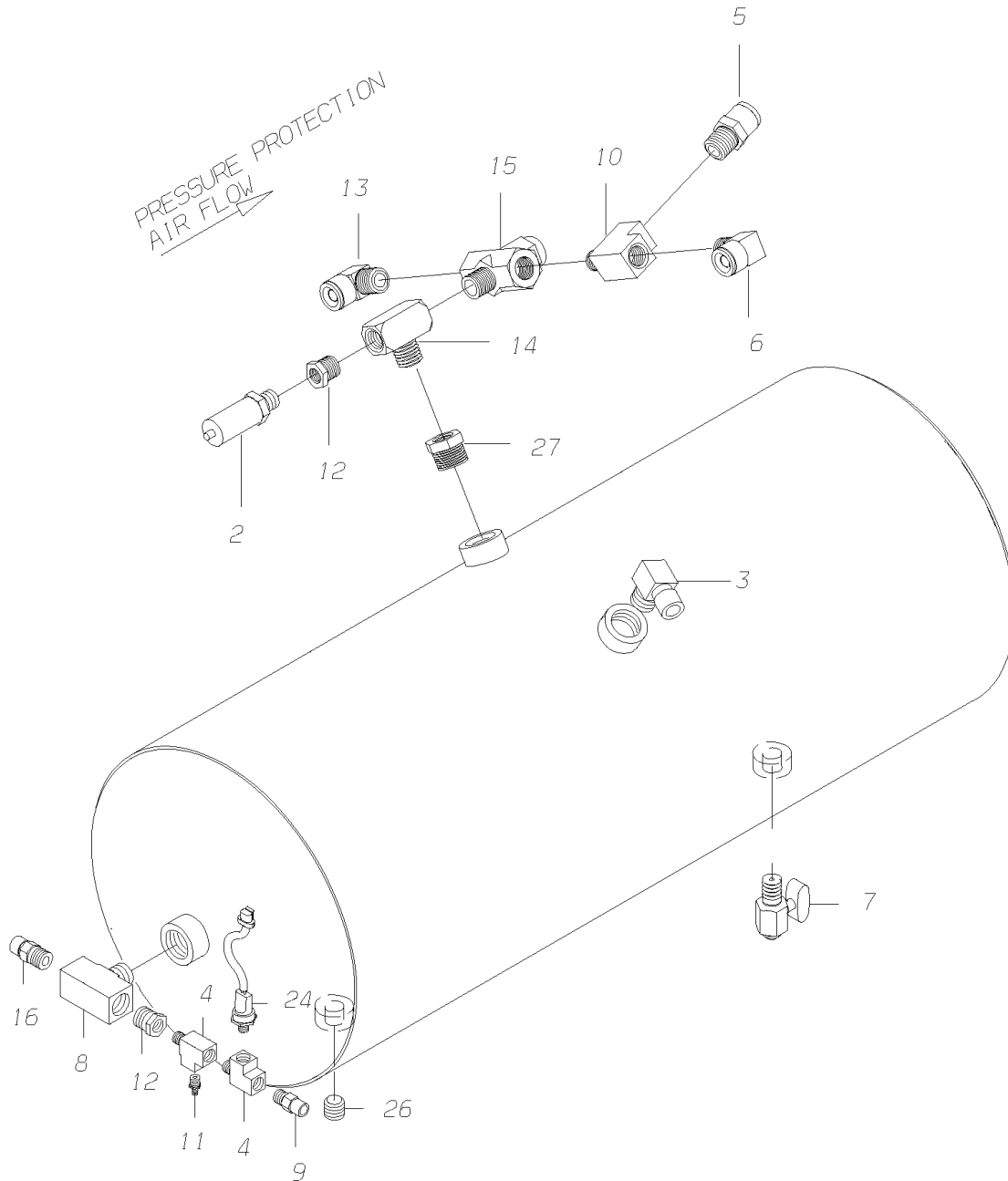
Key	PartNumber	Qty	Description	Comment
1	0991513		RESERVOIR,9 1/2 X 27 - 1760 CU.IN.	
2	0839019		VALVE,SAFETY,1/4IN PIPE,BW NO284142	
3	0009907		ELBOW,90 DEG,MALE1869X8X8-Z,.50MPT	
4	0654277	2	TEE,STREET,1/4 PIPE,3750X4	
5	2023513	2	PLUG,PIPE,1/4,ALLEN HEX HD,BRASS	
6	2027118	2	PLUG,1/8 PIPE	
7	1110188		VALVE,RESERVOIR,DRAIN	
8	1545730		TEE,STREET,1/2MPT X 1/2FPT X	
9	0009922		CONNECTOR,MALE,1868X4X4-Z,.25MPT X .25T"	
10	0009924		CONNECTOR,MALE,1868X6-Z,.25MPT X .38T"	
11	0818609		VALVE,SCHRADER,1/4 MPT	
12	2027134	2	BUSHING,PIPE,3/8 X 1/4,BRASS	
13	2027183		NIPPLE,1/4 CLOSE,BRASS	
14	0559047		TEE,MALE,BRANCH,1/4 PIPE,3600X4	
15	0522508		VALVE,PRESS PROTECTION,65 PSI	
16	0009920		CONNECTOR,MALE,1868X8X8-Z,.50MPT X .50T"	
17	0850586	4	BRACKET,MTG,9 1/2IN,AIR RESERVOIR	
18	0003315		SPACER,AIR RESERVOIR BRACKET,HDFE	
19	2003176	2	GROMMET,HEATER HOSE,1 1/2IN ID	
20	0851337	2	CAPSCREW,HEX HD,3/8-16X6 1/2,GR5,YEL	
21	1107085	8	WASHER,FLAT,13/32 X 13/16 X 3/32,HDN,BLK	
22	0826297	8	NUT,HEX HD,3/8-16 LOCK,YEL ZN DICH	
23	0803213	4	CAPSCREW,HEX HD,3/8-16X1 1/4,GR8,YEL	

Models: A3FE, C3FE
RESERVOIR ASSY
WET TANK
AMBULANCE

Key	PartNumber	Qty	Description	Comment
24	1659234		SWITCH,LOW AIR WARNING,TCFE/RE	
25	0803171	2	CAPSCREW,HEXHD,3/8-16NCX1-1/2,GR8,	
27	0059422		SPACER,AIR RESERVOIR BRACKET,AMBULANCE	

Models: **A3FE, C3FE**
RESERVOIR ASSY
WET TANK
KNEELING HENDRICKSON

Key	PartNumber	Qty	Description	Comment
-----	------------	-----	-------------	---------



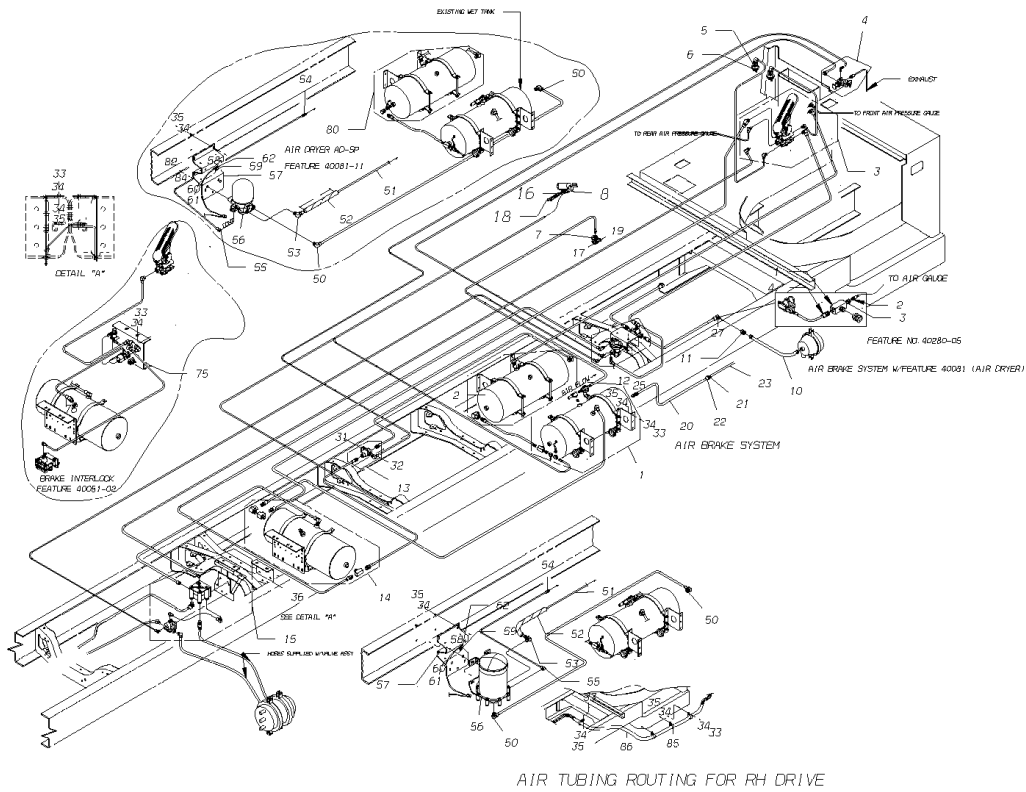
Models: **A3FE, C3FE**
RESERVOIR ASSY
WET TANK
KNEELING HENDRICKSON

Key	PartNumber	Qty	Description	Comment
1	0991513		RESERVOIR,9 1/2 X 27 - 1760 CU.IN.	
2	0839019		VALVE,SAFETY,1/4IN PIPE,BW NO284142	
3	0009907		ELBOW,90 DEG,MALE1869X8X8-Z,.50MPT	
4	0654277	2	TEE,STREET,1/4 PIPE,3750X4	
5	0009918		CONNECTOR,MALE,1868X6X6-Z,.38MPT X .38T"	
6	0009911		ELBOW,90 DEG,MALE1869X6X6-Z,.38MPT	
7	1110188		VALVE,RESERVOIR,DRAIN	
8	1545730		TEE,STREET,1/2MPT X 1/2FPT X	
9	0009922		CONNECTOR,MALE,1868X4X4-Z,.25MPT X .25T"	
10	1010065	2	TEE,STREET,3/8 PIPE 3750 X 6	
11	0818609		VALVE,SCHRADER,1/4 MPT	
12	2027134	2	BUSHING,PIPE,3/8 X 1/4,BRASS	
13	0009906		ELBOW,90 DEG,MALE1869X8-Z,.38MPT X .50T	
14	0016750		TEE,BRASS,3/8MPTX3/8FPTX3/8FPT,3600X6	
15	1344183		VALVE,PRESS PROTECTION,66 PSI,GT	
16	0009920		CONNECTOR,MALE,1868X8X8-Z,.50MPT X .50T"	
24	1659234		SWITCH,LOW AIR WARNING,TCFE/RE	
26	2023513		PLUG,PIPE,1/4,ALLEN HEX HD,BRASS	
27	2023539		BUSHING,PIPE,1/2MPT X 3/8FPT,3220X8X6Z,	

Models: A3FE, C3FE
SYSTEM
NON-ABS

With: FEATURE 40070 WITH 40076-01; 40081-01, 11; 40051-02

Key	PartNumber	Qty	Description	Comment
-----	------------	-----	-------------	---------



Models: A3FE, C3FE
SYSTEM
NON-ABS
With: FEATURE 40070 WITH 40076-01; 40081-01, 11; 40051-02

Key	PartNumber	Qty	Description	Comment
1	0014693		RESERVOIR ASSY,WET TANK,HDFE	
2	0002970		RESERVOIR ASSY,FRONT BRAKE,HDFE	
3	0035749		VALVE ASSY,A/BRK TRDL,ELEC THROT,	
3	0035748		VALVE ASSY,A/BRK TRDL,AIR THROT,NON-	
4	0032238		VALVE ASSY,PARKING BRAKE,PP-1	
5	2023232	2	COUPLING,ANCHOR,205465	
6	1940873	2	SWITCH ASSY,STOPLIGHT PRESSURE	
7	0002913		MANIFOLD ASSY, AIR SYSTEM,HDFE	
8	0034886		GOVERNOR ASSY,AIR COMPRESSOR,FE	
10	0908244	2	HOSE ASSY,BRAKE,7/16,X 24 IN LONG	
11	0758698	2	COUPLING,ANCHOR,B-W 217709 BENDIX	
12	0020601		VALVE ASSY,QUICK REL & SR1 SPR BRK VLV	
13	0002822		VALVE ASSY,DOUBLE CHECK,HDFE	
14	0064322		TANK ASSY,RESERVOIR,REAR BRAKE,AIR SSP	
15	1344860		VALVE ASSY,SPR&SVC BRK RLY,TCFC	
15	0017703		VALVE ASSY,SPR&SERV BRK RELAY,F40280-05	
16	2001188	2	LOCKWASHER,SPLIT RING, 5/16,MED,YEL ZN	
17	0870477	2	CAPSCREW,HEX HD,1/4-20 X 1,GR 8,YEL ZN	
18	0035607	2	CAPSCREW,ALLEN,SOC HD,5/16-18X2 3/4,BLK	
18	0002746	2	CAPSCREW,ALLEN,SOC HD,M8-1.25 X 70MM,	
19	1039262	2	NUT,HEX HD,1/4-20,LOCK,ZINC	
20	2027407	A/	TUBING,COPPER,5/8,TYPE L (S04060)	
21	2055846		NUT	

Models: A3FE, C3FE
SYSTEM
NON-ABS
With: FEATURE 40070 WITH 40076-01; 40081-01, 11; 40051-02

Key	PartNumber	Qty	Description	Comment
22	2026763		FERRULE,60 X 10 5/8 IN	
23	1024975		HOSE ASSY,AIR CMPR DISCH,30 LONG	
24	2005734	A/	LOOM,ASPHALTUM,WIRE,1IN	
25	2023356		CONNECTOR,1/2 MPT X 5/8 TUBE	
26	0009920	4	CONNECTOR,MALE,1868X8X8-Z,.50MPT X .50T"	
27	0009906	2	ELBOW,90 DEG,MALE1869X8-Z,.38MPT X .50T	
28	1226877	4	CAPSCREW,HEX HD,5/16X 3 1/2,GR8,YEL ZN	
29	2001048	8	WASHER,FLAT,11/32 X 11/16 X 1/16,YEL	
30	0829390	4	NUT,HEX HD,5/16-18,SER WASHER,YEL ZN	
31	0854406		CAPSCREW,HEX HD,5/16-18 X 1,GR8,YEL ZN	
32	1480433		NUT,HEX HD,5/16-18,FLG PRVG TORQ,GR F,	
33	0803213	18	CAPSCREW,HEX HD,3/8-16X1 1/4,GR8,YEL	
34	1107085	38	WASHER,FLAT,13/32 X 13/16 X 3/32,HDN,BLK	
35	0826297	18	NUT,HEX HD,3/8-16 LOCK,YEL ZN DICH	
36	1999929		BRACKET,MTG,OPTIONAL AIR TANK,LOWER	
50	0009907	2	ELBOW,90 DEG,MALE1869X8X8-Z,.50MPT	
51	2027407	A/	TUBING,COPPER,5/8,TYPE L (S04060)	
52	1741925	A/	INSULATION,PIPE,POLYETHYLENE,1/2 THICK	
53	0754879		ELBOW,1/2 MPT X 5/8 TUBE	
54	0009917		CONNECTOR,MALE,1868X4-Z,.13MP X .25T"	
55	0009912		ELBOW,90 DEG,MALE1869X4X4-Z,.25MPT	
57	1567403		BRACKET,MTG,AIR DRYER	
58	0977732		** PART NOT FOUND **	

Models: A3FE, C3FE
SYSTEM
NON-ABS
With: FEATURE 40070 WITH 40076-01; 40081-01, 11; 40051-02

Key	PartNumber	Qty	Description	Comment
59	0941997	1	LOCKWASHER,EXTERNAL TOOTH,1/4 ZINC	
60	1467000	1	WASHER,FLAT,.281 X.750X.078 HARDENED,BLK	
61	2001345	1	NUT,HEX HD,1/4-20,LOCKING,YELLOW	
62	0765859	1	TERMINAL,EYELET,1/4,14-16 GA,INSULATED	
2	0024450	1	RESERVOIR ASSY,FRONT BRAKE,AD-SP AIR	ADD WITH FEATURE 40081-11
33	0803213	18	CAPSCREW,HEX HD,3/8-16X1 1/4,GR8,YEL	ADD WITH FEATURE 40081-11
34	1107085	38	WASHER,FLAT,13/32 X 13/16 X 3/32,HDN,BLK	ADD WITH FEATURE 40081-11
35	0826297	18	NUT,HEX HD,3/8-16 LOCK,YEL ZN DICH	ADD WITH FEATURE 40081-11
56	0024269	1	AIR DRYER,AD-SP,SYSTEM PURGE	ADD WITH FEATURE 40081-11
82	1942135	3	CAPSCREW,HEX HD 1/2-13X 1 1/4,GR8,	ADD WITH FEATURE 40081-11
84	0990655	3	LOCKWASHER,SPLIT RING, 1/2 ,MED,YEL ZN	ADD WITH FEATURE 40081-11
NI	0969816	A/	SEALANT,LOCTITE,THREADLOCKER,271	ADD WITH FEATURE 40081-11
2	0002970		RESERVOIR ASSY,FRONT BRAKE,HDFE	ADD WITH FEATURE 40081-01
33	0803213	22	CAPSCREW,HEX HD,3/8-16X1 1/4,GR8,YEL	ADD WITH FEATURE 40081-01
34	1107085	44	WASHER,FLAT,13/32 X 13/16 X 3/32,HDN,BLK	ADD WITH FEATURE 40081-01
35	0826297	22	NUT,HEX HD,3/8-16 LOCK,YEL ZN DICH	ADD WITH FEATURE 40081-01
56	0020804		AIR DRYER,AD-9,LH SUPPLY,STD	STANDARD CONFIGURATION
75	0010667		VALVE ASSY,AIR BRAKE INTERLOCK,HDFE	ADD WITH FEATURE 40051-02
76	0009909		ELBOW,90 DEG,MALE1869X6X8-Z,.50MPT	ADD WITH FEATURE 40051-02
33	0803213	2	CAPSCREW,HEX HD,3/8-16X1 1/4,GR8,YEL	ADD WITH FEATURE 40051-02
34	1107085	4	WASHER,FLAT,13/32 X 13/16 X 3/32,HDN,BLK	ADD WITH FEATURE 40051-02
35	0826297	2	NUT,HEX HD,3/8-16 LOCK,YEL ZN DICH	ADD WITH FEATURE 40051-02
1	0016750		TEE,BRASS,3/8MPTX3/8FPTX3/8FPT,3600X6	ADD WITH FEATURE 40280-05

Models: A3FE, C3FE
SYSTEM

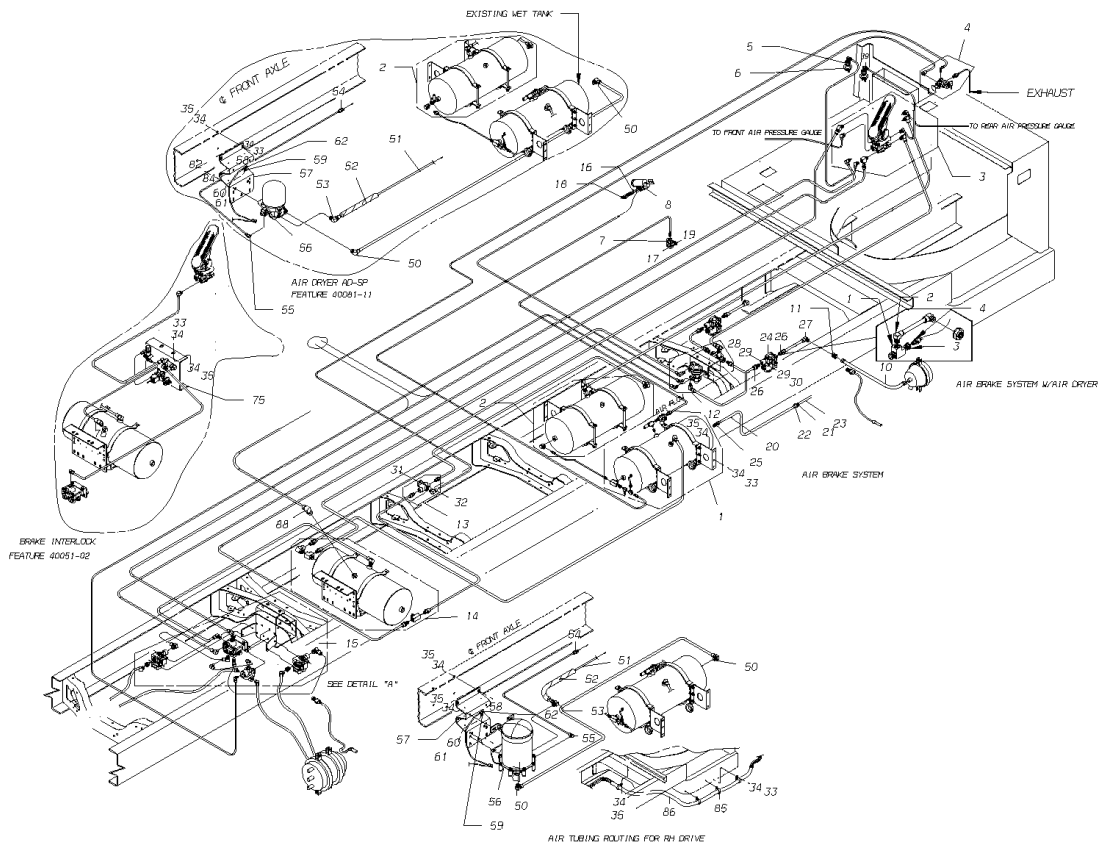
NON-ABS

With: FEATURE 40070 WITH 40076-01; 40081-01, 11; 40051-02

Key	PartNumber	Qty	Description	Comment
2	0009922		CONNECTOR,MALE,1868X4X4-Z,.25MPT X .25T"	ADD WITH FEATURE 40280-05
3	2027134		BUSHING,PIPE,3/8 X 1/4,BRASS	ADD WITH FEATURE 40280-05
4	0009921		CONNECTOR,MALE,1868X8-Z,.38MPT X .50T"	ADD WITH FEATURE 40280-05
27	0009906		ELBOW,90 DEG,MALE1869X8-Z,.38MPT X .50T	ADD WITH FEATURE 40280-05

Models: A3FE, C3FE
SYSTEM WITH AIR DRYER ABS
With: FEATURE 40070 WITH 40076-01; 40081-01, 11; 40051-02
BSN: From CSN 30037595 (08/02/99)
 To CSN 0198634 (05/01/05)

Key PartNumber Qty Description Comment



Models: A3FE, C3FE
SYSTEM
WITH AIR DRYER
ABS
With: FEATURE 40070 WITH 40076-01; 40081-01, 11; 40051-02
BSN: From CSN 30037595 (08/02/99)
 To CSN 0198634 (05/01/05)

Key	PartNumber	Qty	Description	Comment
1	0014693	1	RESERVOIR ASSY,WET TANK,HDFE	
1	0059421		RESERVOIR ASSY,BRAKE,WET,AMBULANCE,	WITH FEATURE 31063-01
1	0085626		RESERVOIR ASSY,AUX,WET,KNEELING,HEND,	WITH FEATURE 40004-07 & 04569
3	0035745	1	VALVE ASSY,A/BRK TREADLE,ELEC THROT,	
3	0035744		VALVE ASSY,A/BRK TREADLE,AIR THROT,ABS	
3	0043369		VALVE ASSY,A/BRK TRDL,E/THRT,ABS,ADJ PED	WITH 40099
4	0032238	1	VALVE ASSY,PARKING BRAKE,PP-1	
5	2023232	2	COUPLING,ANCHOR,205465	
6	1940873	2	SWITCH ASSY,STOPLIGHT PRESSURE	
7	0002913	1	MANIFOLD ASSY, AIR SYSTEM,HDFE	
8	0034886	1	GOVERNOR ASSY,AIR COMPRESSOR,FE	
9			NOT CURRENTLY USED	
10	0908244	2	HOSE ASSY,BRAKE,7/16,X 24 IN LONG	
11	0758698	2	COUPLING,ANCHOR,B-W 217709 BENDIX	
12	0020601	1	VALVE ASSY,QUICK REL & SR1 SPR BRK VLV	EXCEPT WITH 40004-07
13	0002822	1	VALVE ASSY,DOUBLE CHECK,HDFE	
14			RESERVOIR ASSEMBLY, REAR BRAKE	
14	1978089	1	RESERVOIR ASSY,REAR BRAKE,SPRING SUSP,	
14	0064322	1	TANK ASSY,RESERVOIR,REAR BRAKE,AIR SSP	
15	0048632	1	VALVE ASSY,SPR&SERV,ABS,FE	
16	2001188	2	LOCKWASHER,SPLIT RING, 5/16,MED,YEL ZN	
17	0870477	2	CAPSCREW,HEX HD,1/4-20 X 1,GR 8,YEL ZN	
18	0035607	2	CAPSCREW,ALLEN,SOC HD,5/16-18X2 3/4,BLK	CAT

Models: A3FE, C3FE
**SYSTEM
 WITH AIR DRYER
 ABS**
With: FEATURE 40070 WITH 40076-01; 40081-01, 11; 40051-02
BSN: From CSN 30037595 (08/02/99)
 To CSN 0198634 (05/01/05)

Key	PartNumber	Qty	Description	Comment
19	0002746	2	CAPSCREW,ALLEN,SOC HD,M8-1.25 X 70MM,	CUMMINS
19	1039262	2	NUT,HEX HD,1/4-20,LOCK,ZINC	
20			NOT CURRENTLY USED	
21	2055846	1	NUT	
22	2026763	1	FERRULE,60 X 10 5/8 IN	
23	1024975	1	HOSE ASSY,AIR CMPR DISCH,30 LONG	
24	0014460		MODULATOR,ABS,AIR BRAKE,BENDIX M-30	ENDING WITH CSN 0163204
24	0060035	2	MODULATOR,ABS,AIR BRAKE,M32QR	BEGIN WITH CSN 163205
25			NOT CURRENTLY USED	
26	0009920	4	CONNECTOR,MALE,1868X8X8-Z,.50MPT X .50T"	EXCEPT WITH 40280-05
27	0009906	2	ELBOW,90 DEG,MALE1869X8-Z,.38MPT X .50T	EXCEPT WITH 40004-07
28	1226877	4	CAPSCREW,HEX HD,5/16X 3 1/2,GR8,YEL ZN	
29	2001048	8	WASHER,FLAT,11/32 X 11/16 X 1/16,YEL	
30	0829390	4	NUT,HEX HD,5/16-18,SER WASHER,YEL ZN	
31	0854406	1	CAPSCREW,HEX HD,5/16-18 X 1,GR8,YEL ZN	
32	1480433		NUT,HEX HD,5/16-18,FLG PRVG TORQ,GR F,	
36	1990324	2	SENSOR,ABS,STRAIGHT,AIR,SQUARE PLUG	ENDING WITH CSN 30093324
37	1542471	4	SLEEVE,CLAMP,NOTCHED,HUB SENSOR,ABS	ENDING WITH CSN 30093324
38	1990316	2	SENSOR,ABS,90 DEGREE,AIR	ENDING WITH CSN 30093324
39	0025952	2	SCREW,MACH.,OVAL HD,PH,8-32X1.25,SS	
50	0009907	2	ELBOW,90 DEG,MALE1869X8X8-Z,.50MPT	
51	2027407	1	TUBING,COPPER,5/8,TYPE L (S04060)	
52	1741925	1	INSULATION,PIPE,POLYETHYLENE,1/2 THICK	

Models: A3FE, C3FE
**SYSTEM
 WITH AIR DRYER
 ABS**
With: FEATURE 40070 WITH 40076-01; 40081-01, 11; 40051-02
BSN: From CSN 30037595 (08/02/99)
 To CSN 0198634 (05/01/05)

Key	PartNumber	Qty	Description	Comment
53	0754879	1	ELBOW,1/2 MPT X 5/8 TUBE	
54	0009917	1	CONNECTOR,MALE,1868X4-Z,.13MP X .25T"	
55	0009912	1	ELBOW,90 DEG,MALE1869X4X4-Z,.25MPT	
56	0020804	1	AIR DRYER,AD-9,LH SUPPLY,STD	FEATURE 40081-01
26	0024269	1	AIR DRYER,AD-SP,SYSTEM PURGE	FEATURE 40081-11
NI	0024452	1	VALVE,CHECK,SINGLE,AD-SP AIR DRYER	
57	1567403	1	BRACKET,MTG,AIR DRYER	
58	0977132	1	CAPSCREW,HEX HD,1/4-20 X 3/4,GR 5,YEL	
59	0941997	1	LOCKWASHER,EXTERNAL TOOTH,1/4 ZINC	
60	1467000	1	WASHER,FLAT,.281 X.750X.078 HARDENED,BLK	
61	2001345	1	NUT,HEX HD,1/4-20,LOCKING,YELLOW	
62	0765859	1	TERMINAL,EYELET,1/4,14-16 GA,INSULATED	
87	2005734		LOOM,ASPHALTUM,WIRE,1IN	
88	0009909		ELBOW,90 DEG,MALE1869X6X8-Z,.50MPT	WITH KNEELING FEATURE 4569 ONLY
2	0024450	1	RESERVOIR ASSY,FRONT BRAKE,AD-SP AIR	ADD WITH FEATURE 40081-11
33	0803213	AR	CAPSCREW,HEX HD,3/8-16X1 1/4,GR8,YEL	ADD WITH FEATURE 40081-11
34	1107085	AR	WASHER,FLAT,13/32 X 13/16 X 3/32,HDN,BLK	ADD WITH FEATURE 40081-11
35	0826297	AR	NUT,HEX HD,3/8-16 LOCK,YEL ZN DICH	ADD WITH FEATURE 40081-11
56	0024269	1	AIR DRYER,AD-SP,SYSTEM PURGE	ADD WITH FEATURE 40081-11
82	1942135	3	CAPSCREW,HEX HD 1/2-13X 1 1/4,GR8,	ADD WITH FEATURE 40081-11
84	0990655	3	LOCKWASHER,SPLIT RING, 1/2 ,MED,YEL ZN	ADD WITH FEATURE 40081-11
1	0024450		RESERVOIR ASSY,FRONT BRAKE,AD-SP AIR	DELETE WITH HYDRAULIC BRAKES, WITH AIR SUSPENSION F & R ONLY, OR REAR ONLY

Models: A3FE, C3FE
**SYSTEM
 WITH AIR DRYER
 ABS**

With: FEATURE 40070 WITH 40076-01; 40081-01, 11; 40051-02
BSN: From CSN 30037595 (08/02/99)
 To CSN 0198634 (05/01/05)

Key	PartNumber	Qty	Description	Comment
1	1942044		RESERVOIR ASSY,WET TK,HYD BRK,REYCO	<i>BRAKES, WITH AIR SUSPENSION F & R ONLY, OR REAR ONLY</i>
2	0024450	1	RESERVOIR ASSY,FRONT BRAKE,AD-SP AIR	<i>ADD WITH FEATURE 40081-01</i>
33	0803213	AR	CAPSCREW,HEX HD,3/8-16X1 1/4,GR8,YEL	<i>ADD WITH FEATURE 40081-01</i>
34	1107085	AR	WASHER,FLAT,13/32 X 13/16 X 3/32,HDN,BLK	<i>ADD WITH FEATURE 40081-01</i>
35	0826297	AR	NUT,HEX HD,3/8-16 LOCK,YEL ZN DICH	<i>ADD WITH FEATURE 40081-01</i>
56	0024269	1	AIR DRYER,AD-SP,SYSTEM PURGE	<i>ADD WITH FEATURE 40081-01</i>
75	0010667	1	VALVE ASSY,AIR BRAKE INTERLOCK,HDFE	<i>ADD WITH FEATURE 40051-02</i>
76	0009909	1	ELBOW,90 DEG,MALE1869X6X8-Z,.50MPT	<i>ADD WITH FEATURE 40051-02</i>
33	0803213	AR	CAPSCREW,HEX HD,3/8-16X1 1/4,GR8,YEL	<i>ADD WITH FEATURE 40051-02</i>
34	1107085	AR	WASHER,FLAT,13/32 X 13/16 X 3/32,HDN,BLK	<i>ADD WITH FEATURE 40051-02</i>
35	0826297	AR	NUT,HEX HD,3/8-16 LOCK,YEL ZN DICH	<i>ADD WITH FEATURE 40051-02</i>

Models: A3FE, C3FE
**SYSTEM
 WITH AIR DRYER
 ABS**

With: FEATURE 40070 WITH 40076-01; 40081-01, 11, 19; 40051-02; 40360-02
BSN: From CSN 0198635 (5/02/05)

Key	PartNumber	Qty	Description	Comment
1	0014693		RESERVOIR ASSY,WET TANK,HDFE	
1	0059421		RESERVOIR ASSY,BRAKE,WET,AMBULANCE,	WITH 31063-02
2	0002970		RESERVOIR ASSY,FRONT BRAKE,HDFE	
3	0035745		VALVE ASSY,A/BRK TREADLE,ELEC THROT,	
3	0035744		VALVE ASSY,A/BRK TREADLE,AIR THROT,ABS	
3	0043369		VALVE ASSY,A/BRK TRDL,E/THRT,ABS,ADJ PED	
4	0032238		VALVE ASSY,PARKING BRAKE,PP-1	
5	2023232		COUPLING,ANCHOR,205465	
6	1940873		SWITCH ASSY,STOPLIGHT PRESSURE	
7	0002913		MANIFOLD ASSY, AIR SYSTEM,HDFE	
9	1797802		HOSE,.25 ID X .50 OD,W-H H00904	
10	0908244		HOSE ASSY,BRAKE,7/16,X 24 IN LONG	
11	0758698		COUPLING,ANCHOR,B-W 217709 BENDIX	
12	0020601		VALVE ASSY,QUICK REL & SR1 SPR BRK VLV	
13	0002822		VALVE ASSY,DOUBLE CHECK,HDFE	
14	1978089		RESERVOIR ASSY,REAR BRAKE,SPRING SUSP,	
	0064322		TANK ASSY,RESERVOIR,REAR BRAKE,AIR SSP	
15	0048632		VALVE ASSY,SPR&SERV,ABS,FE	
16	2001188		LOCKWASHER,SPLIT RING, 5/16,MED,YEL ZN	
17	0870477		CAPSCREW,HEX HD,1/4-20 X 1,GR 8,YEL ZN	
18	0035607		CAPSCREW,ALLEN,SOC HD,5/16-18X2 3/4,BLK	WITH CAT
18	0002746		CAPSCREW,ALLEN,SOC HD,M8-1.25 X 70MM,	WITH CUMMINS
19	1039262		NUT,HEX HD,1/4-20,LOCK,ZINC	

Models: A3FE, C3FE
SYSTEM WITH AIR DRYER ABS
With: FEATURE 40070 WITH 40076-01; 40081-01, 11, 19; 40051-02; 40360-02
BSN: From CSN 0198635 (5/02/05)

Key	PartNumber	Qty	Description	Comment
20	2027407		TUBING,COPPER,5/8,TYPE L (S04060)	S04060
21	2055846		NUT	
22	2026763		FERRULE,60 X 10 5/8 IN	
23	1024975		HOSE ASSY,AIR CMPR DISCH,30 LONG	
24	0020035		SPACER,ALUM,REI,VCP CNTRL,LTC40	
25	2023356		CONNECTOR,1/2 MPT X 5/8 TUBE	
26	0009920		CONNECTOR,MALE,1868X8X8-Z,.50MPT X .50T"	
26	1831890		ELBOW,STREET,45DEG,3350X8,1/2MPTX1/2FPT	
27	0009906		ELBOW,90 DEG,MALE1869X8-Z,.38MPT X .50T	
28	1226877		CAPSCREW,HEX HD,5/16X 3 1/2,GR8,YEL ZN	
29	2001048		WASHER,FLAT,11/32 X 11/16 X 1/16,YEL	
30	0829390		NUT,HEX HD,5/16-18,SER WASHER,YEL ZN	
31	0854406		CAPSCREW,HEX HD,5/16-18 X 1,GR8,YEL ZN	
32	1480433		NUT,HEX HD,5/16-18,FLG PRVG TORQ,GR F,	
33	0803213		CAPSCREW,HEX HD,3/8-16X1 1/4,GR8,YEL	
34	1107085		WASHER,FLAT,13/32 X 13/16 X 3/32,HDN,BLK	
35			NOT USED	
36			NOT USED	
37			NOT USED	
38	1990316		SENSOR,ABS,90 DEGREE,AIR	
39	0025652		ELBOW,90 MALE SWVL,1869X4X4S-	
33	0803213		CAPSCREW,HEX HD,3/8-16X1 1/4,GR8,YEL	ADD WITH A3FE RH DRIVE FEATURE 40360-02
34	1107085		WASHER,FLAT,13/32 X 13/16 X 3/32,HDN,BLK	ADD WITH A3FE RH DRIVE FEATURE 40360-02

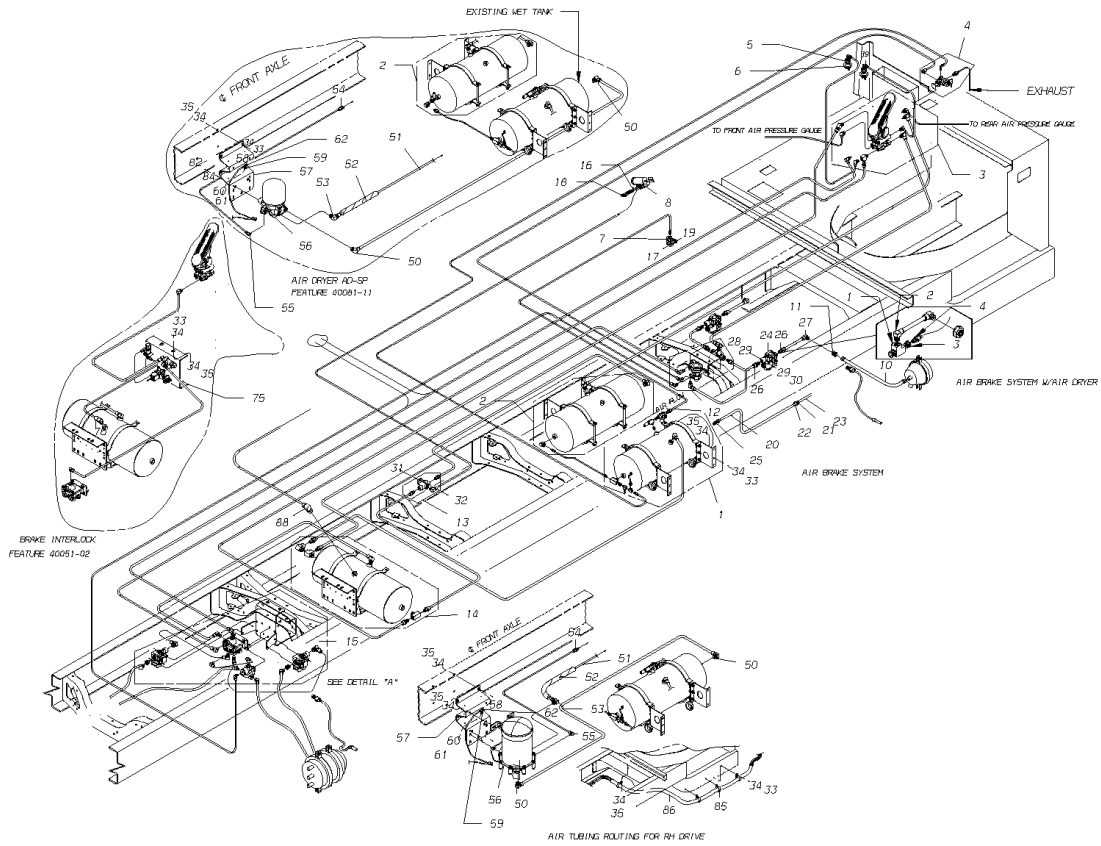
Models: A3FE, C3FE
SYSTEM
WITH AIR DRYER
ABS
With: FEATURE 40070 WITH 40076-01; 40081-01, 11, 19; 40051-02; 40360-02
BSN: From CSN 0198635 (5/02/05)

Key	PartNumber	Qty	Description	Comment
35	0826297		NUT,HEX HD,3/8-16 LOCK,YEL ZN DICH	ADD WITH A3FE RH DRIVE FEATURE 40360-02
85	1107085		WASHER,FLAT,13/32 X 13/16 X 3/32,HDN,BLK	ADD WITH A3FE RH DRIVE FEATURE 40360-02
86	1228840		LOOM,CORRUGATED,BLACK,NYLON,1 1/4ID,SS	ADD WITH A3FE RH DRIVE FEATURE 40360-02
1	0654350		TEE,1/2 PIPE,STREET	ADD WITH FEATURE NUMBER 40280-05
2	0009907		ELBOW,90 DEG,MALE1869X8X8-Z,.50MPT	ADD WITH FEATURE NUMBER 40280-05
3	2027159		BUSHING,PIPE,1/2 X 1/4,BRASS	ADD WITH FEATURE NUMBER 40280-05
4	0009922		CONNECTOR,MALE,1868X4X4-Z,.25MPT X .25T"	ADD WITH FEATURE NUMBER 40280-05
15	0048363		VINYL,NAUGHYDE,ALL AMERICAN,AM-41	ADD WITH FEATURE NUMBER 40280-05
26	0009920		CONNECTOR,MALE,1868X8X8-Z,.50MPT X .50T"	DELETE WITH FEATURE 40280-05
15	0048632		VALVE ASSY,SPR&SERV,ABS,FE	DELETE WITH FEATURE 40280-05
77	0021086		VALVE ASSY,QUICK REL & SR1 SPR BRK VLV	ADD WITH FEATURE 40004-07
78	0009921		CONNECTOR,MALE,1868X8-Z,.38MPT X .50T"	ADD WITH FEATURE 40004-07
27	0009906		ELBOW,90 DEG,MALE1869X8-Z,.38MPT X .50T"	DELETE WITH FEATURE 4004-07
12	0020601		VALVE ASSY,QUICK REL & SR1 SPR BRK VLV	DELETE WITH FEATURE 4004-07

Models: A3FE, C3FE
SYSTEM
WITH OUT AIR DRYER
ABS

With: FEATURE 40070 WITH 40076-01; 40280-05; 40004-07; 40360-02
BSN: From CSN 30037595 (08/02/99)
 To CSN 0198634 (05/01/05)

Key PartNumber Qty Description Comment



Models: A3FE, C3FE
SYSTEM
WITH OUT AIR DRYER
ABS
With: FEATURE 40070 WITH 40076-01; 40280-05; 40004-07; 40360-02
BSN: From CSN 30037595 (08/02/99)
 To CSN 0198634 (05/01/05)

Key	PartNumber	Qty	Description	Comment
1	0014693	1	RESERVOIR ASSY,WET TANK,HDFE	
1	0059421		RESERVOIR ASSY,BRAKE,WET,AMBULANCE,	WITH FEATURE 31063-01
1	0085626		RESERVOIR ASSY,AUX,WET,KNEELING,HEND,	WITH FEATURE 40004-07 & 04569
2	0002970	1	RESERVOIR ASSY,FRONT BRAKE,HDFE	
3	0035745	1	VALVE ASSY,A/BRK TREADLE,ELEC THROT,	
3	0035744		VALVE ASSY,A/BRK TREADLE,AIR THROT,ABS	
3	0043369		VALVE ASSY,A/BRK TRDL,E/THRT,ABS,ADJ PED	WITH 40099
4	0032238	1	VALVE ASSY,PARKING BRAKE,PP-1	
5	2023232	2	COUPLING,ANCHOR,205465	
6	1940873	2	SWITCH ASSY,STOPLIGHT PRESSURE	
7	0002913	1	MANIFOLD ASSY, AIR SYSTEM,HDFE	
9	1797802	1	HOSE,.25 ID X .50 OD,W-H H00904	
10	0908244	2	HOSE ASSY,BRAKE,7/16,X 24 IN LONG	
11	0758698	2	COUPLING,ANCHOR,B-W 217709 BENDIX	
12	0020601	1	VALVE ASSY,QUICK REL & SR1 SPR BRK VLV	EXCEPT WITH 40004-07
13	0002822	1	VALVE ASSY,DOUBLE CHECK,HDFE	
14	1978089	1	RESERVOIR ASSY,REAR BRAKE,SPRING SUSP,	SPRING SUSPENSION
14	0064322	1	TANK ASSY,RESERVOIR,REAR BRAKE,AIR SSP	AIR SUSPENSION
15	0048632	1	VALVE ASSY,SPR&SERV,ABS,FE	STANDARD . NOT WITH FEATURE 40280-05
15	0048363	1	VINYL,NAUGHYDE,ALL AMERICAN,AM-41	WITH FEATURE 40280-05 ONLY
16	2001188	2	LOCKWASHER,SPLIT RING, 5/16,MED,YEL ZN	
17	0870477	2	CAPSCREW,HEX HD,1/4-20 X 1,GR 8,YEL ZN	
18	0035607	2	CAPSCREW,ALLEN,SOC HD,5/16-18X2 3/4,BLK	CAT

Models: A3FE, C3FE
SYSTEM
WITH OUT AIR DRYER
ABS
With: FEATURE 40070 WITH 40076-01; 40280-05; 40004-07; 40360-02
BSN: From CSN 30037595 (08/02/99)
 To CSN 0198634 (05/01/05)

Key	PartNumber	Qty	Description	Comment
18	0002746	2	CAPSCREW,ALLEN,SOC HD,M8-1.25 X 70MM,	CUMMINS
19	1039262	2	NUT,HEX HD,1/4-20,LOCK,ZINC	
20	2027407	10	TUBING,COPPER,5/8,TYPE L (S04060)	
21	2055846	1	NUT	
22	2026763	1	FERRULE,60 X 10 5/8 IN	
23	1024975	1	HOSE ASSY,AIR CMPR DISCH,30 LONG	
24	0060035	2	MODULATOR,ABS,AIR BRAKE,M32QR	
25	2023356	1	CONNECTOR,1/2 MPT X 5/8 TUBE	
26	0009920	4	CONNECTOR,MALE,1868X8X8-Z,.50MPT X .50T"	EXCEPT WITH 40280-05
26	1831890	2	ELBOW,STREET,45DEG,3350X8,1/2MPTX1/2FPT	
27	0009906	2	ELBOW,90 DEG,MALE1869X8-Z,.38MPT X .50T	EXCEPT WITH 40004-07
28	1226877	4	CAPSCREW,HEX HD,5/16X 3 1/2,GR8,YEL ZN	
29	2001048	8	WASHER,FLAT,11/32 X 11/16 X 1/16,YEL	
30	0829390	4	NUT,HEX HD,5/16-18,SER WASHER,YEL ZN	
31	0854406	1	CAPSCREW,HEX HD,5/16-18 X 1,GR8,YEL ZN	
32	1480433	1	NUT,HEX HD,5/16-18,FLG PRVG TORQ,GR F,	
33	0803213	AR	CAPSCREW,HEX HD,3/8-16X1 1/4,GR8,YEL	
34	1107085	AR	WASHER,FLAT,13/32 X 13/16 X 3/32,HDN,BLK	
35	0826297	AR	NUT,HEX HD,3/8-16 LOCK,YEL ZN DICH	
36	1990324	2	SENSOR,ABS,STRAIGHT,AIR,SQUARE PLUG	ENDING WITH CSN 30093324
37	1542471	4	SLEEVE,CLAMP,NOTCHED,HUB SENSOR,ABS	ENDING WITH CSN 30093324
38	1990316	2	SENSOR,ABS,90 DEGREE,AIR	ENDING WITH CSN 30093324
39	0025952	2	SCREW,MACH.,OVAL HD,PH,8-32X1.25,SS	

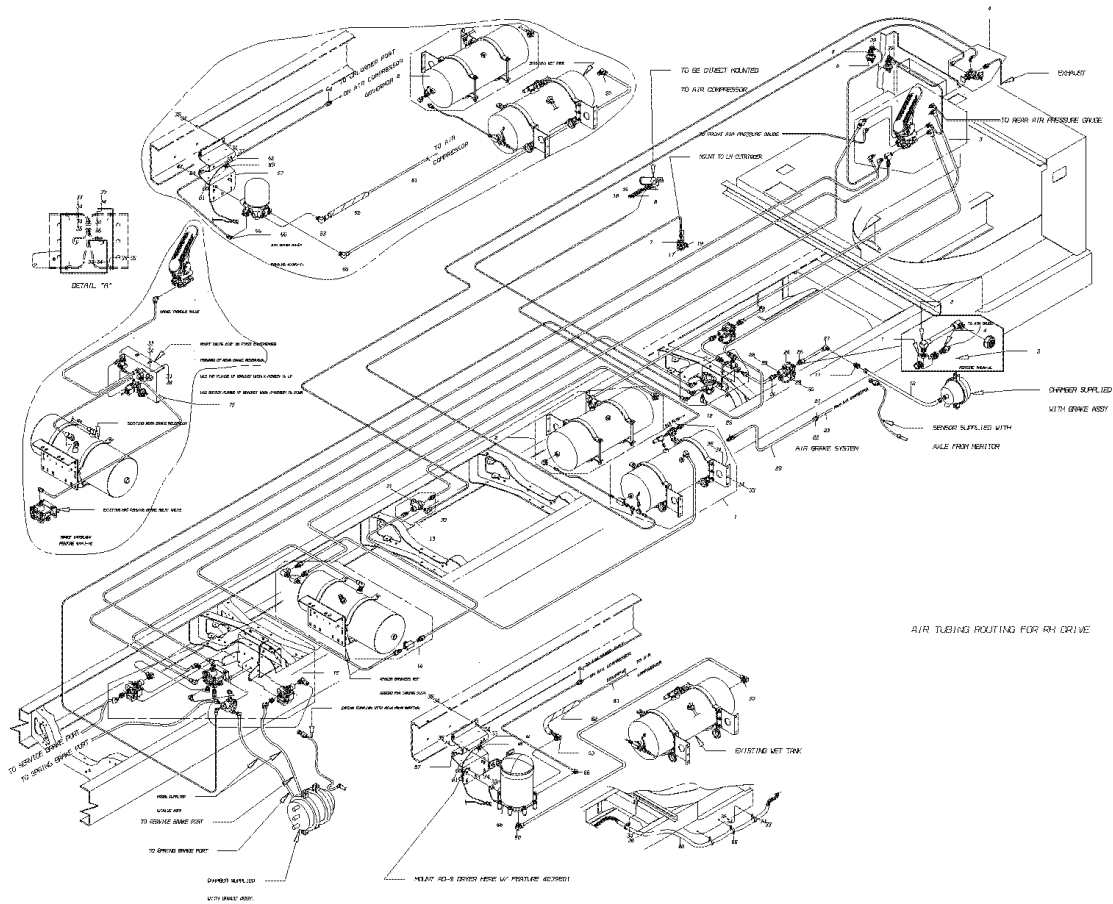
Models: A3FE, C3FE
SYSTEM
WITH OUT AIR DRYER
ABS
With: FEATURE 40070 WITH 40076-01; 40280-05; 40004-07; 40360-02
BSN: From CSN 30037595 (08/02/99)
 To CSN 0198634 (05/01/05)

Key	PartNumber	Qty	Description	Comment
33	0803213	AR	CAPSCREW,HEX HD,3/8-16X1 1/4,GR8,YEL	ADD WITH RH DRIVE
34	1107085	AR	WASHER,FLAT,13/32 X 13/16 X 3/32,HDN,BLK	ADD WITH RH DRIVE
35	0826297	AR	NUT,HEX HD,3/8-16 LOCK,YEL ZN DICH	ADD WITH RH DRIVE
85	1107085	4	WASHER,FLAT,13/32 X 13/16 X 3/32,HDN,BLK	WITH FEATURE 40360-02 ONLY
86	1228840		LOOM,CORRUGATED,BLACK,NYLON,1 1/4ID,SS	
87	2005734		LOOM,ASPHALTUM,WIRE,1IN	
88	0009909		ELBOW,90 DEG,MALE1869X6X8-Z,.50MPT	WITH OUT4569 ONLY
1	0654350	1	TEE,1/2 PIPE,STREET	ADD WITH FEATURE 40280-05
2	0009907	1	ELBOW,90 DEG,MALE1869X8X8-Z,.50MPT	ADD WITH FEATURE 40280-05
3	2027159	1	BUSHING,PIPE,1/2 X 1/4,BRASS	ADD WITH FEATURE 40280-05
4	0009922	1	CONNECTOR,MALE,1868X4X4-Z,.25MPT X .25T"	ADD WITH FEATURE 40280-05
15	0048363		VINYL,NAUGHYDE,ALL AMERICAN,AM-41	ADD WITH FEATURE 40280-05
26	0009920	4	CONNECTOR,MALE,1868X8X8-Z,.50MPT X .50T"	DELETE WITH FEATURE 40280-05
15	0048632	1	VALVE ASSY,SPR&SERV,ABS,FE	STANDARD, DELETE WITH FEATURE 40280-05
77	0021086	1	VALVE ASSY,QUICK REL & SR1 SPR BRK VLV	FEATURE 40004-07 ONLY
78	0009921	2	CONNECTOR,MALE,1868X8-Z,.38MPT X .50T"	FEATURE 40004-07 ONLY
27	0009906	2	ELBOW,90 DEG,MALE1869X8-Z,.38MPT X .50T"	DELETE WITH FEATURE 40004-07
12	0020601	1	VALVE ASSY,QUICK REL & SR1 SPR BRK VLV	DELETE WITH FEATURE 40004-07

Models: A3FE, C3FE
SYSTEM
WITH OUT AIR DRYER
ABS

With: FEATURE 40070 WITH 40076-01; 40051-02; 40360-02
BSN: From CSN 0198635 (5/02/05)

Key	PartNumber	Qty	Description	Comment
-----	------------	-----	-------------	---------



AIR TUBING ROUTING FOR AIR DRIVE

Models: A3FE, C3FE
SYSTEM
WITH OUT AIR DRYER
ABS
With: FEATURE 40070 WITH 40076-01; 40051-02; 40360-02
BSN: From CSN 0198635 (5/02/05)

Key	PartNumber	Qty	Description	Comment
1	0014693		RESERVOIR ASSY,WET TANK,HDFE	
1	0059421		RESERVOIR ASSY,BRAKE,WET,AMBULANCE,	WITH 31063-01
3	0035745		VALVE ASSY,A/BRK TREADLE,ELEC THROT,	
3	0035744		VALVE ASSY,A/BRK TREADLE,AIR THROT,ABS	
3	0043369		VALVE ASSY,A/BRK TRDL,E/THRT,ABS,ADJ PED	
4	0032238	2	VALVE ASSY,PARKING BRAKE,PP-1	
5	2023232	2	COUPLING,ANCHOR,205465	
6	1940873		SWITCH ASSY,STOPLIGHT PRESSURE	
7	0002913	2	MANIFOLD ASSY, AIR SYSTEM,HDFE	
8	0034886	2	GOVERNOR ASSY,AIR COMPRESSOR,FE	
10	0908244		HOSE ASSY,BRAKE,7/16,X 24 IN LONG	
11	0758698		COUPLING,ANCHOR,B-W 217709 BENDIX	
12	0020601		VALVE ASSY,QUICK REL & SR1 SPR BRK VLV	
13	0002822		VALVE ASSY,DOUBLE CHECK,HDFE	
14	1978089		RESERVOIR ASSY,REAR BRAKE,SPRING SUSP,	
14	0064322		TANK ASSY,RESERVOIR,REAR BRAKE,AIR SSP	
15	0084962		VALVE ASSY,ABS,SPR&SERV,EC60,FE	
16	2001188	2	LOCKWASHER,SPLIT RING, 5/16,MED,YEL ZN	
17	0870477	2	CAPSCREW,HEX HD,1/4-20 X 1,GR 8,YEL ZN	
18	0035607	2	CAPSCREW,ALLEN,SOC HD,5/16-18X2 3/4,BLK	
18	0002746	2	CAPSCREW,ALLEN,SOC HD,M8-1.25 X 70MM,	
19	1039262	2	NUT,HEX HD,1/4-20,LOCK,ZINC	
21	2055846		NUT	

Models: A3FE, C3FE
SYSTEM
WITH OUT AIR DRYER
ABS
With: FEATURE 40070 WITH 40076-01; 40051-02; 40360-02
BSN: From CSN 0198635 (5/02/05)

Key	PartNumber	Qty	Description	Comment
22	2026763		FERRULE,60 X 10 5/8 IN	
23	1024975		HOSE ASSY,AIR CMPR DISCH,30 LONG	
24	0060035	2	MODULATOR,ABS,AIR BRAKE,M32QR	
26	0009920	4	CONNECTOR,MALE,1868X8X8-Z,.50MPT X .50T"	
27	0009906	2	ELBOW,90 DEG,MALE1869X8-Z,.38MPT X .50T	
28	1226877	4	CAPSCREW,HEX HD,5/16X 3 1/2,GR8,YEL ZN	
29	2001048	8	WASHER,FLAT,11/32 X 11/16 X 1/16,YEL	
30	0829390	4	NUT,HEX HD,5/16-18,SER WASHER,YEL ZN	
31	0854406		CAPSCREW,HEX HD,5/16-18 X 1,GR8,YEL ZN	
32	1480433		NUT,HEX HD,5/16-18,FLG PRVG TORQ,GR F,	
36		2	NOT USED	
37		2	NOT USED	
38		10	NOT USED	
39	0025652	5	ELBOW,90 MALE SWVL,1869X4X4S-	
50	0009907		ELBOW,90 DEG,MALE1869X8X8-Z,.50MPT	
51	2027407		TUBING,COPPER,5/8,TYPE L (S04060)	S04060
52	1741925		INSULATION,PIPE,POLYETHYLENE,1/2 THICK	
53	0754879		ELBOW,1/2 MPT X 5/8 TUBE	
54	0009917		CONNECTOR,MALE,1868X4-Z,.13MP X .25T"	
55	0009912		ELBOW,90 DEG,MALE1869X4X4-Z,.25MPT	
57	1567403	18	BRACKET,MTG,AIR DRYER	
58	0977132	36	CAPSCREW,HEX HD,1/4-20 X 3/4,GR 5,YEL	
59	0941997	18	LOCKWASHER,EXTERNAL TOOTH,1/4 ZINC	

Models: A3FE, C3FE
SYSTEM
WITH OUT AIR DRYER
ABS
With: FEATURE 40070 WITH 40076-01; 40051-02; 40360-02
BSN: From CSN 0198635 (5/02/05)

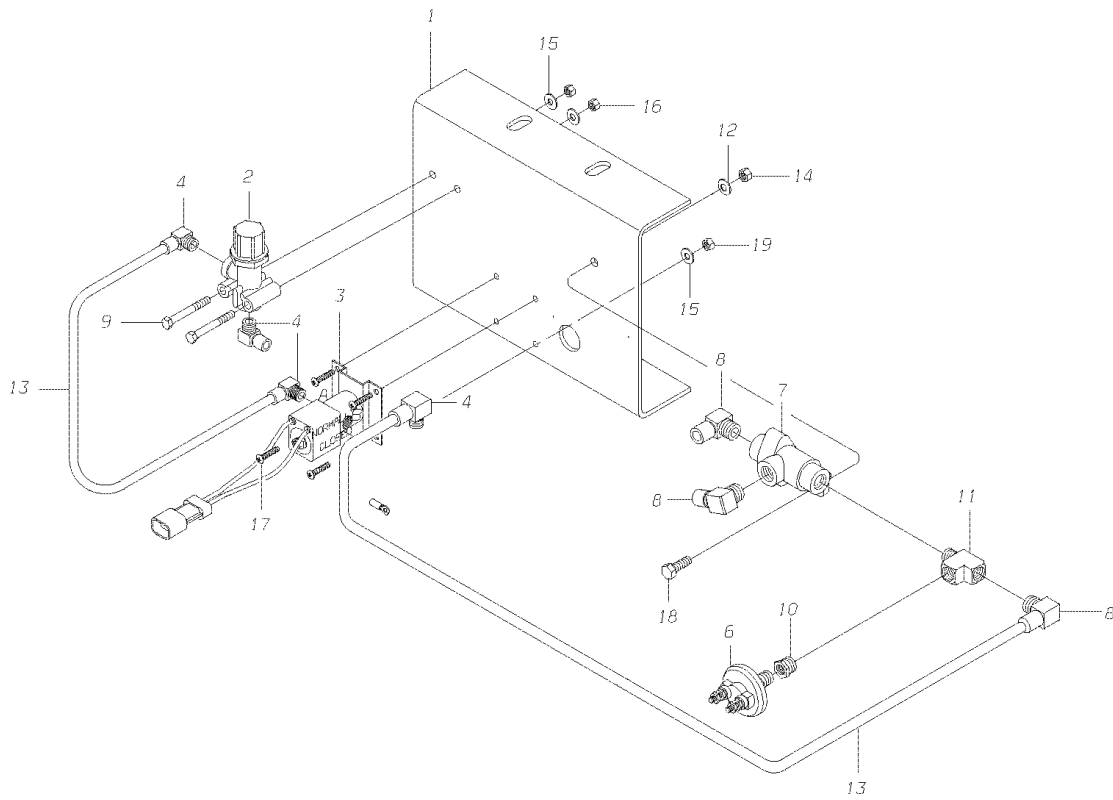
Key	PartNumber	Qty	Description	Comment
60	1467000		WASHER,FLAT, .281 X.750X.078 HARDENED,BLK	
61	2001345	3	NUT,HEX HD,1/4-20,LOCKING,YELLOW	
62	0765859	3	TERMINAL,EYELET,1/4,14-16 GA,INSULATED	
2	0024450		RESERVOIR ASSY,FRONT BRAKE,AD-SP AIR	ADD WITH FEATURE 40081-11
33	0803213		CAPSCREW,HEX HD,3/8-16X1 1/4,GR8,YEL	ADD WITH FEATURE 40081-11
34	1107085		WASHER,FLAT,13/32 X 13/16 X 3/32,HDN,BLK	ADD WITH FEATURE 40081-11
35	0826297		NUT,HEX HD,3/8-16 LOCK,YEL ZN DICH	ADD WITH FEATURE 40081-11
56	0024269		AIR DRYER,AD-SP,SYSTEM PURGE	ADD WITH FEATURE 40081-11
82	1942135		CAPSCREW,HEX HD 1/2-13X 1 1/4,GR8,	ADD WITH FEATURE 40081-11
84	0990655		LOCKWASHER,SPLIT RING, 1/2 ,MED,YEL ZN	ADD WITH FEATURE 40081-11
NI	0969816		SEALANT,LOCTITE,THREADLOCKER,271	ADD WITH FEATURE 40081-11
1	0024450		RESERVOIR ASSY,FRONT BRAKE,AD-SP AIR	DELETE WITH AIR SUSPENSION F & R OR REAR ONLY
1	1942044		RESERVOIR ASSY,WET TK,HYD BRK,REYCO	ADD WITH AIR SUSPENSION F & R OR REAR ONLY
2	0002970		RESERVOIR ASSY,FRONT BRAKE,HDFE	ADD WITH FEATURE 40081-01 AD -9, AIR DRYER
33	0803213	22	CAPSCREW,HEX HD,3/8-16X1 1/4,GR8,YEL	ADD WITH FEATURE 40081-01 AD -9, AIR DRYER
34	1107085	44	WASHER,FLAT,13/32 X 13/16 X 3/32,HDN,BLK	ADD WITH FEATURE 40081-01 AD -9, AIR DRYER
35	0826297	22	NUT,HEX HD,3/8-16 LOCK,YEL ZN DICH	ADD WITH FEATURE 40081-01 AD -9, AIR DRYER
56	0020804		AIR DRYER,AD-9,LH SUPPLY,STD	ADD WITH FEATURE 40081-01 AD -9, AIR DRYER
75	0010667		VALVE ASSY,AIR BRAKE INTERLOCK,HDFE	ADD WITH FEATURE 40051-02
75	0085406		HARNESS,WRG,DIR & HAZARD FOOT CTRL	ADD WITH FEATURE 40051-02
76	0009909		ELBOW,90 DEG,MALE1869X6X8-Z,.50MPT	ADD WITH FEATURE 40051-02
				ADD WITH FEATURE 40051-02

Models: A3FE, C3FE
SYSTEM
WITH OUT AIR DRYER
ABS
With: FEATURE 40070 WITH 40076-01; 40051-02; 40360-02
BSN: From CSN 0198635 (5/02/05)

Key	PartNumber	Qty	Description	Comment
33	0803213	2	CAPSCREW,HEX HD,3/8-16X1 1/4,GR8,YEL	
34	1107085	4	WASHER,FLAT,13/32 X 13/16 X 3/32,HDN,BLK	ADD WITH FEATURE 40051-02
35	0826297	2	NUT,HEX HD,3/8-16 LOCK,YEL ZN DICH	ADD WITH FEATURE 40051-02

Models: **A3FE, C3FE**
VALVE ASSY
AIR BRAKE INTERLOCK

Key	PartNumber	Qty	Description	Comment
-----	------------	-----	-------------	---------

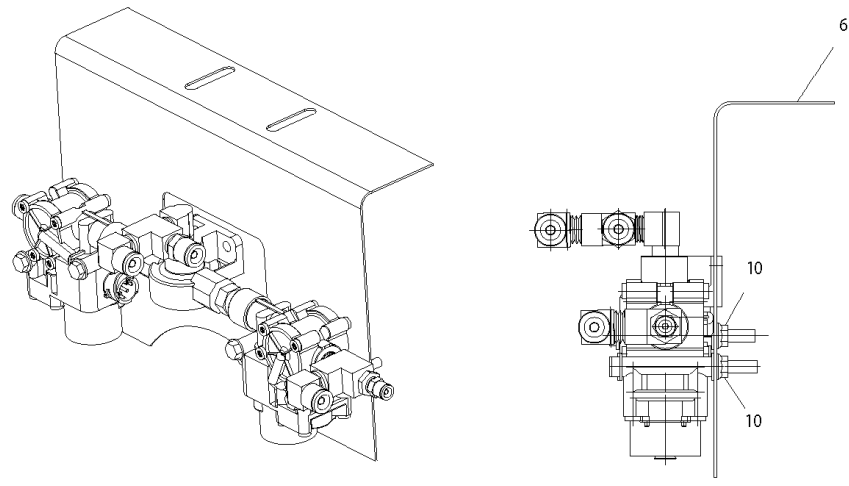
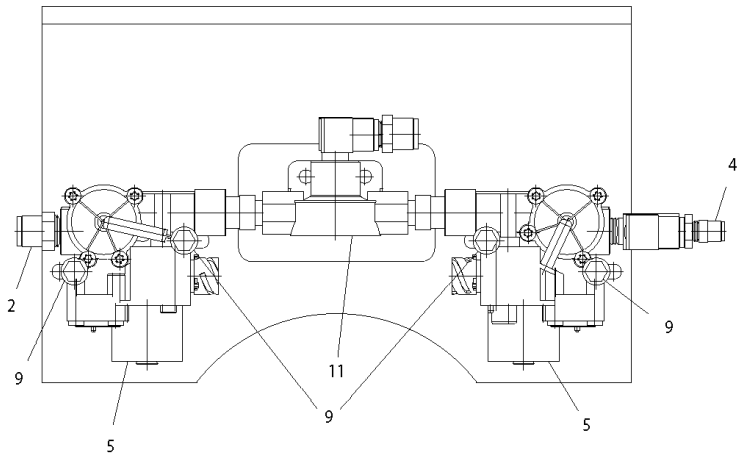
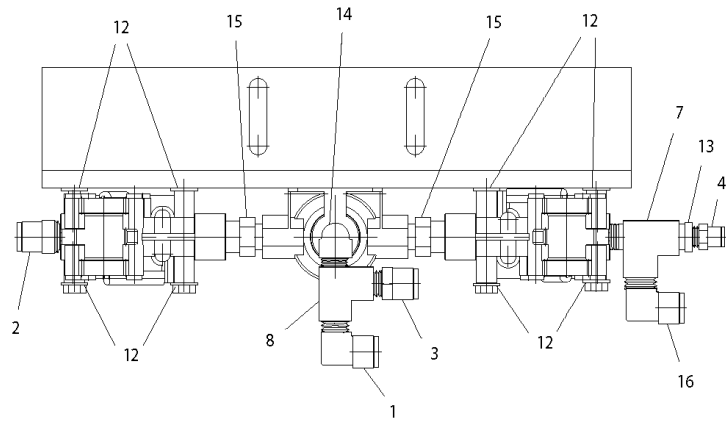


Models: A3FE, C3FE
VALVE ASSY
AIR BRAKE INTERLOCK

Key	PartNumber	Qty	Description	Comment
1	0010665		BRACKET,MTG,AIR BRAKE INTERLOCK COMP,	
2	1102938		VALVE,PRESS REDU,RV-1,40 PSI,BW279926	
3	1686807		VALVE ASSY,SOLENOID,NC ALLENAIR	
4	0009914	4	ELBOW,90 DEG,MALE1869X6-Z,.25MPT X .38T"	
5			CURRENTLY NOT USED	
6	1940873		SWITCH ASSY,STOPLIGHT PRESSURE	
7	0654434		VALVE,DOUBLE CHECK,3/8 PIPE	
8	0009911	3	ELBOW,90 DEG,MALE1869X6X6-Z,.38MPT	
9	1092337	2	CAPSCREW,HEX HD,1/4-20 X 2,GR 5,YEL ZN	
10	2027134		BUSHING,PIPE,3/8 X 1/4,BRASS	
11	1010065		TEE,STREET,3/8 PIPE 3750 X 6	
12	2001121		WASHER,FLAT,5/16 X 3/4,X 5/64,YEL ZN DICH	
13	1346857	23	TUBING,PLASTIC,3/8 OD,BLUE,SAE J844 TYPE B	
14	1981844		NUT,HEX HD,5/16-18,LOCK,YEL DICH	
15	1247709	6	WASHER,FLAT,17/64 ID X,5/8,YEL ZN DICH	
16	2001345	2	NUT,HEX HD,1/4-20,LOCKING,YELLOW	
17	2000768	4	SCREW,MACH,10-24 X 1, PH1,RD HD,YEL ZN	
18	0654459		CAPSCREW,HEX HD,5/16-18X7/8,GR5,YEL ZN	
19	1469287	4	NUT,HEX,10-24,ELASTIC LOCKNUT,YEL ZN	

Models: A3FE, C3FE
VALVE ASSY
AXLE
FRONT
APPLIED AIR
With: FEATURE 40070 WITH 40280-05 ISB07
BSN: From CSN 0267140 (01/29/07)

Key	PartNumber	Qty	Description	Comment
-----	------------	-----	-------------	---------

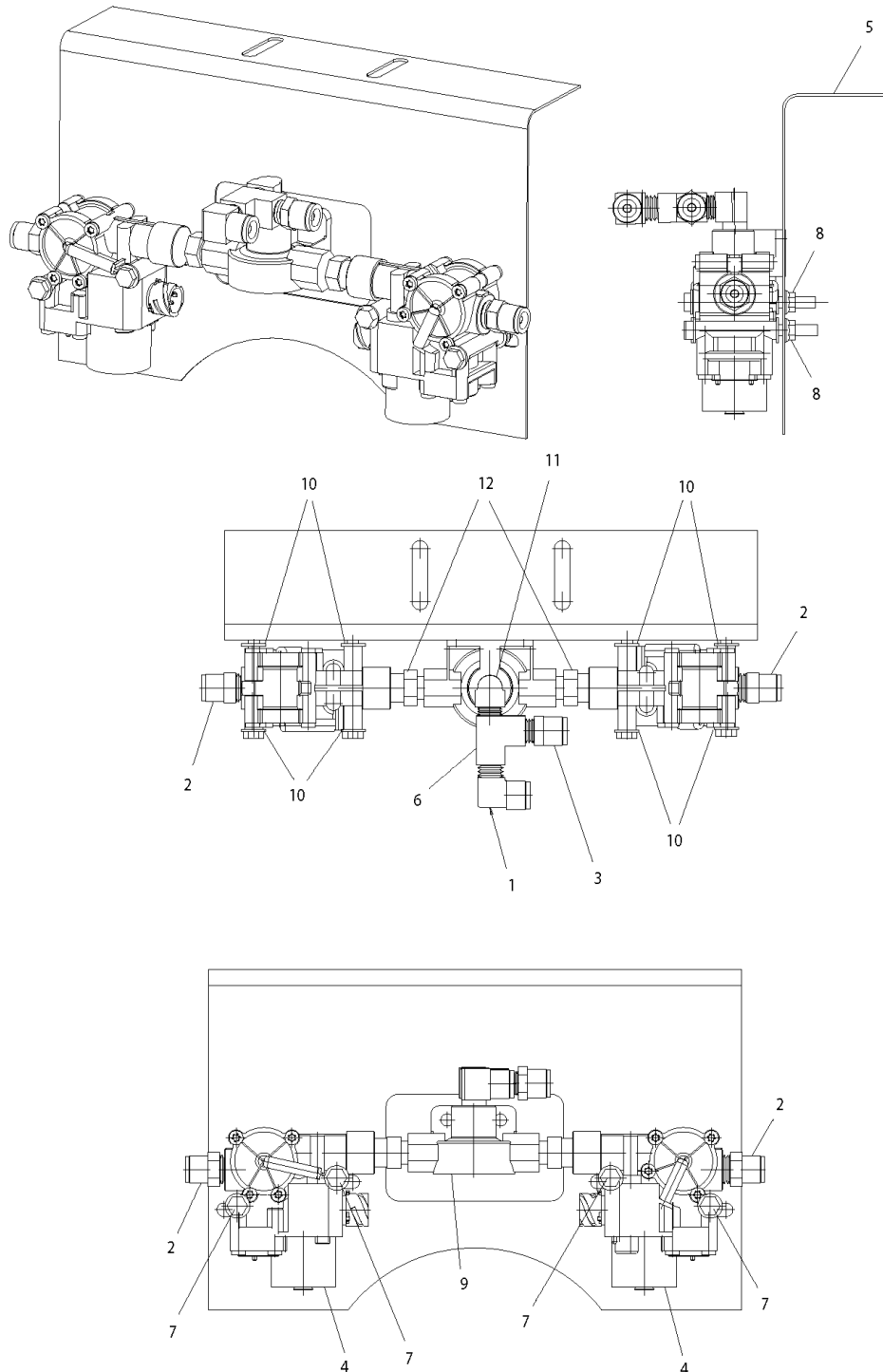


Models: A3FE, C3FE
VALVE ASSY
AXLE
FRONT
APPLIED AIR
With: FEATURE 40070 WITH 40280-05 ISB07
BSN: From CSN 0267140 (01/29/07)

Key	PartNumber	Qty	Description	Comment
1	0009911	1	ELBOW,90 DEG,MALE1869X6X6-Z,.38MPT	
2	0009920	1	CONNECTOR,MALE,1868X8X8-Z,.50MPT X .50T"	
3	0009921	1	CONNECTOR,MALE,1868X8-Z,.38MPT X .50T"	
4	0009922	1	CONNECTOR,MALE,1868X4X4-Z,.25MPT X .25T"	
5	0060035	2	MODULATOR,ABS,AIR BRAKE,M32QR	
6	0102693	1	BRACKET,MOUNTING,AIR VALVES,FRT AXLE	
7	0654350	1	TEE,1/2 PIPE,STREET	
8	1010065	1	TEE,STREET,3/8 PIPE 3750 X 6	
9	1226877	4	CAPSCREW,HEX HD,5/16X 3 1/2,GR8,YEL ZN	
10	1480433	4	NUT,HEX HD,5/16-18,FLG PRVG TORQ,GR F,	
11	1940865	0	VALVE,QUICK RELEASE,3/8" INLET PORT	
12	2001048	8	WASHER,FLAT,11/32 X 11/16 X 1/16,YEL	
13	2027159	1	BUSHING,PIPE,1/2 X 1/4,BRASS	
14	2027241	1	ELBOW,STREET,90 DEG,3/8MPT X	
15	2222735	2	NIPPLE,HEX,1/2 MPT X 3/8 MPT	
16	0009907	1	ELBOW,90 DEG,MALE1869X8X8-Z,.50MPT	

Models: A3FE, C3FE
VALVE ASSY
AXLE
FRONT
ISB07
With: FEATURE 40070
BSN: From CSN 0267140 (01/29/07)

Key	PartNumber	Qty	Description	Comment
-----	------------	-----	-------------	---------

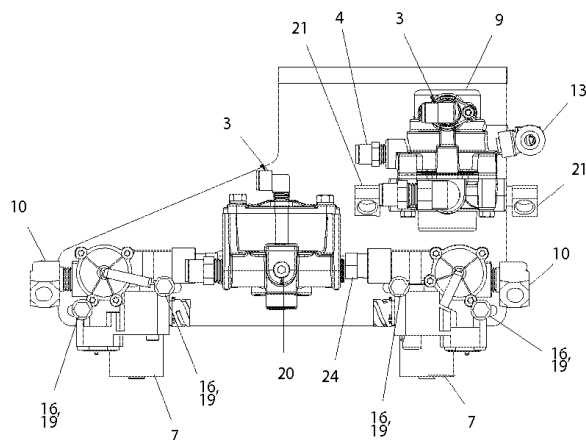
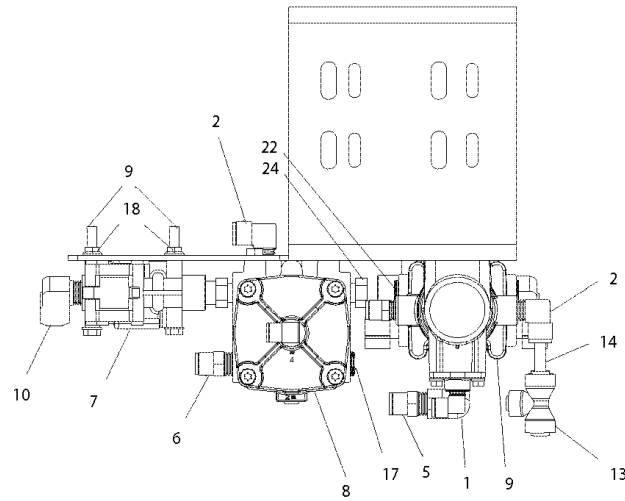
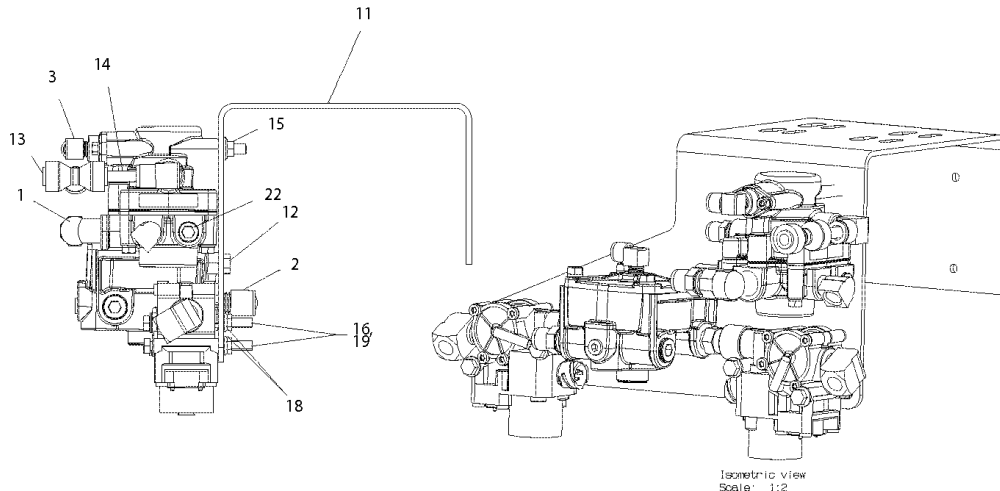


Models: A3FE, C3FE
VALVE ASSY
AXLE
FRONT
ISB07
With: FEATURE 40070
BSN: From CSN 0267140 (01/29/07)

Key	PartNumber	Qty	Description	Comment
1	0009911	1	ELBOW,90 DEG,MALE1869X6X6-Z,.38MPT	
2	0009920	2	CONNECTOR,MALE,1868X8X8-Z,.50MPT X .50T"	
3	0009921	1	CONNECTOR,MALE,1868X8-Z,.38MPT X .50T"	
4	0060035	2	MODULATOR,ABS,AIR BRAKE,M32QR	
5	0102693	1	BRACKET,MOUNTING,AIR VALVES,FRT AXLE	
6	1010065	1	TEE,STREET,3/8 PIPE 3750 X 6	
7	1226877	4	CAPSCREW,HEX HD,5/16X 3 1/2,GR8,YEL ZN	
8	1480433	4	NUT,HEX HD,5/16-18,FLG PRVG TORQ,GR F,	
9	1940865	1	VALVE,QUICK RELEASE,3/8" INLET PORT	
10	2001048	8	WASHER,FLAT,11/32 X 11/16 X 1/16,YEL	
11	2027241	1	ELBOW,STREET,90 DEG,3/8MPT X	
12	2222735	2	NIPPLE,HEX,1/2 MPT X 3/8 MPT	

Models: A3FE, C3FE
VALVE ASSY
AXLE
REAR
APPLIED AIR
With: FEATURE 40070 WITH 40280-05 ISB07
BSN: From CSN 0267140 (01/29/07)

Key	PartNumber	Qty	Description	Comment
-----	------------	-----	-------------	---------



Models: A3FE, C3FE
VALVE ASSY
AXLE
REAR
APPLIED AIR
With: FEATURE 40070 WITH 40280-05 ISB07
BSN: From CSN 0267140 (01/29/07)

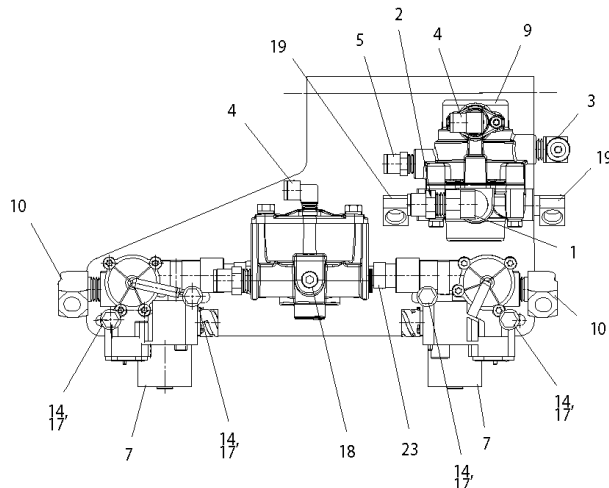
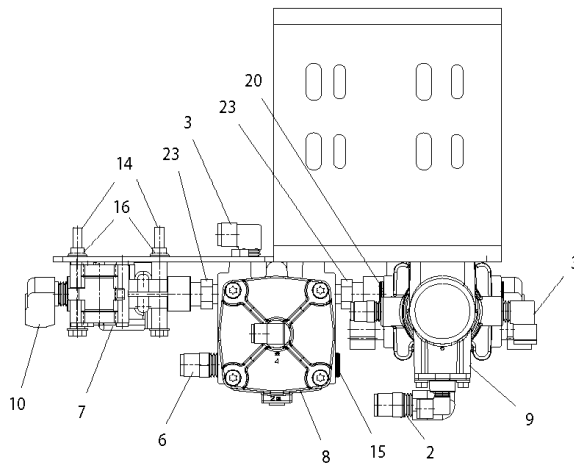
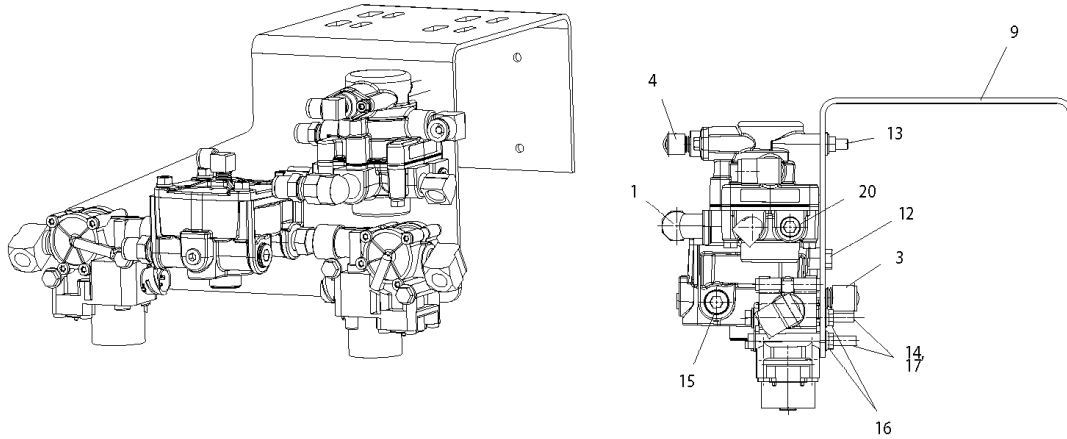
Key	PartNumber	Qty	Description	Comment
1	0001135	1	VALVE,SINGLE CHECK,1/2 PIPE,90 DEGREE	
2	0009911	2	ELBOW,90 DEG,MALE1869X6X6-Z,.38MPT	
3	0009914	2	ELBOW,90 DEG,MALE1869X6-Z,.25MPT X .38T"	
4	0009918	1	CONNECTOR,MALE,1868X6X6-Z,.38MPT X .38T"	
5	0009920	1	CONNECTOR,MALE,1868X8X8-Z,.50MPT X .50T"	
6	0009923	1	CONNECTOR,MALE,1868X10-Z,.50MPT X .63T	
7	0060035	2	MODULATOR,ABS,AIR BRAKE,M32QR	
8	0066210	1	VALVE,RELAY,R12	
9	0091559	1	VALVE,BRAKE,SPRING,SR7	
10	0091571	2	ELBOW,STREET,90 DEG,.50 MPT X .375 FPT	
11	0102080	1	BRACKET,MOUNTING,ABS VALVES,REAR AXLE	
12	0105021	2	CAPSCREW,HEX HD,3/8-16 X 3/4,GR 5,YEL	
13	0105026	1	FITTING,TEE,UNION,.375TX.375TX.25T BRANCH	
14	0105027	1	TUBING,CONNECTOR,RAM,APPLIED AIR,UNION	
15	0543934	2	NUT,HEX HD,3/8-16,ZINC,LG FLG LK,YEL	
16	1226877	4	CAPSCREW,HEX HD,5/16X 3 1/2,GR8,YEL ZN	
17	1354877	1	PLUG,PIPE,1/2 ALLEN HEAD	
18	1480433	4	NUT,HEX HD,5/16-18,FLG PRVG TORQ,GR F,	
19	2001048	4	WASHER,FLAT,11/32 X 11/16 X 1/16,YEL	
20	2023513	1	PLUG,PIPE,1/4,ALLEN HEX HD,BRASS	
21	2027241	2	ELBOW,STREET,90 DEG,3/8MPT X	
22	2215382	2	PLUG,PIPE,3/8,W/ALLEN RECESS	
23	1346790	2	TUBING,PLASTIC,1/4 OD,GREEN,SAE J844 TYPE	

Models: A3FE, C3FE
VALVE ASSY
AXLE
REAR
APPLIED AIR
With: FEATURE 40070 WITH 40280-05 ISB07
BSN: From CSN 0267140 (01/29/07)

Key	PartNumber	Qty	Description	Comment
24	2222735		NIPPLE,HEX,1/2 MPT X 3/8 MPT	

Models: A3FE, C3FE
VALVE ASSY
AXLE
REAR
ISB07
With: FEATURE 40070
BSN: From CSN 0267140 (01/29/07)

Key	PartNumber	Qty	Description	Comment
-----	------------	-----	-------------	---------



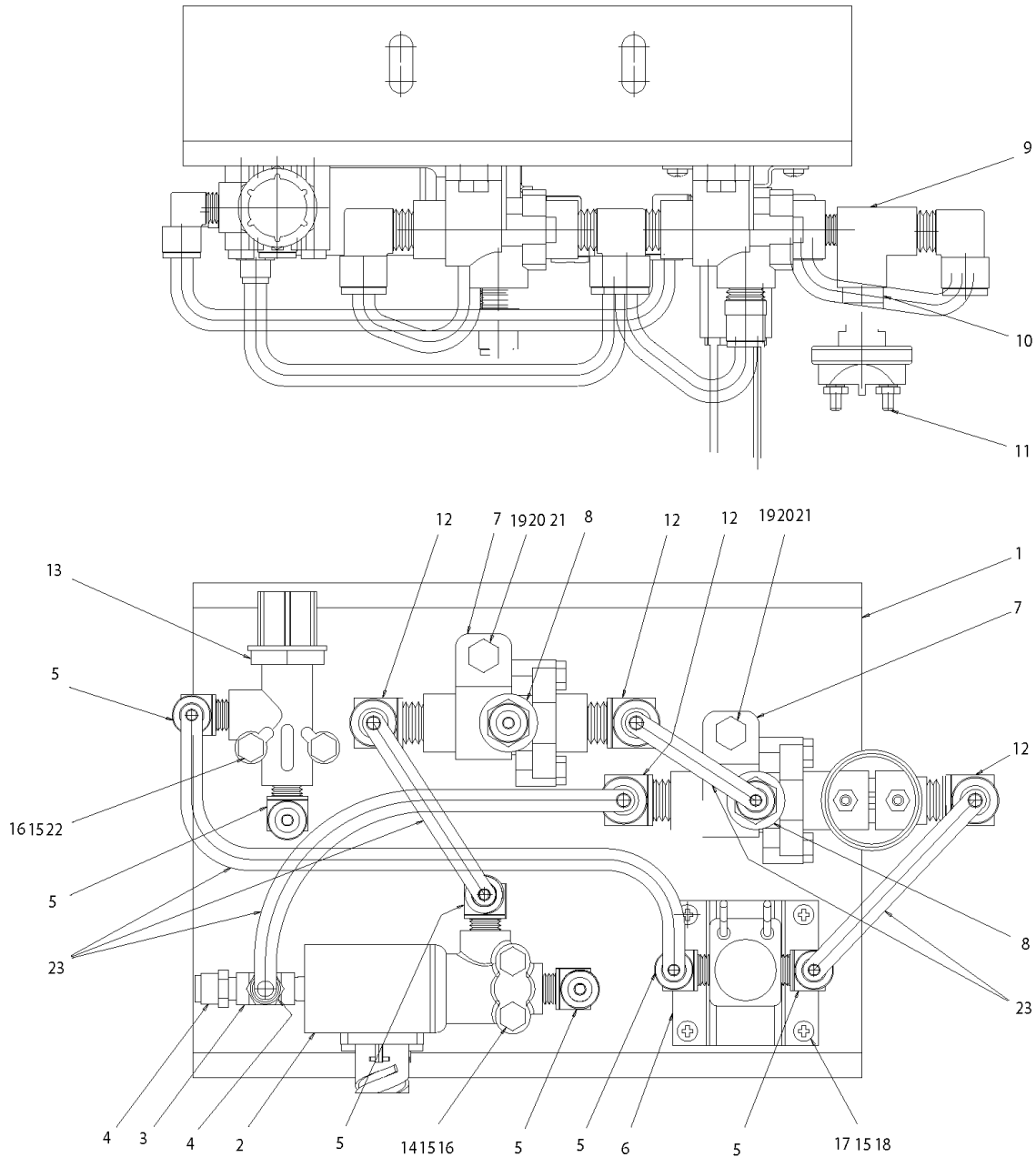
Models: A3FE, C3FE
VALVE ASSY
AXLE
REAR
ISB07
With: FEATURE 40070
BSN: From CSN 0267140 (01/29/07)

Key	PartNumber	Qty	Description	Comment
1	0001135	1	VALVE,SINGLE CHECK,1/2 PIPE,90 DEGREE	
2	0009920	1	CONNECTOR,MALE,1868X8X8-Z,.50MPT X .50T"	
3	0009911	2	ELBOW,90 DEG,MALE1869X6X6-Z,.38MPT	
4	0009914	2	ELBOW,90 DEG,MALE1869X6-Z,.25MPT X .38T"	
5	0009918	1	CONNECTOR,MALE,1868X6X6-Z,.38MPT X .38T"	
6	0009923	1	CONNECTOR,MALE,1868X10-Z,.50MPT X .63T	
7	0060035	2	MODULATOR,ABS,AIR BRAKE,M32QR	
8	0066210	1	VALVE,RELAY,R12	
9	0091559	1	VALVE,BRAKE,SPRING,SR7	
10	0091571	2	ELBOW,STREET,90 DEG,.50 MPT X .375 FPT	
11	0102080	1	BRACKET,MOUNTING,ABS VALVES,REAR AXLE	
12	0105021	2	CAPSCREW,HEX HD,3/8-16 X 3/4,GR 5,YEL	
13	0543934	2	NUT,HEX HD,3/8-16,ZINC,LG FLG LK,YEL	
14	1226877	4	CAPSCREW,HEX HD,5/16X 3 1/2,GR8,YEL ZN	
15	1354877	1	PLUG,PIPE,1/2 ALLEN HEAD	
16	1480433	4	NUT,HEX HD,5/16-18,FLG PRVG TORQ,GR F,	
17	2001048	4	WASHER,FLAT,11/32 X 11/16 X 1/16,YEL	
18	2023513	1	PLUG,PIPE,1/4,ALLEN HEX HD,BRASS	
19	2027241	2	ELBOW,STREET,90 DEG,3/8MPT X	
20	2215382	2	PLUG,PIPE,3/8,W/ALLEN RECESS	
21	1346790	2F	TUBING,PLASTIC,1/4 OD,GREEN,SAE J844 TYPE	
23	2222735	2	NIPPLE,HEX,1/2 MPT X 3/8 MPT	

Models: A3FE, C3FE
VALVE ASSY
BRAKE INTERLOCK
TRACTION CONTROL

With: 40453-01 WITH 40070 AND 40051-07 CAT 07
 40453-01 WITH 40070 AND 40051-02 ISB 07
 40453-01 ATC WITH 40051-01

Key	PartNumber	Qty	Description	Comment
-----	------------	-----	-------------	---------



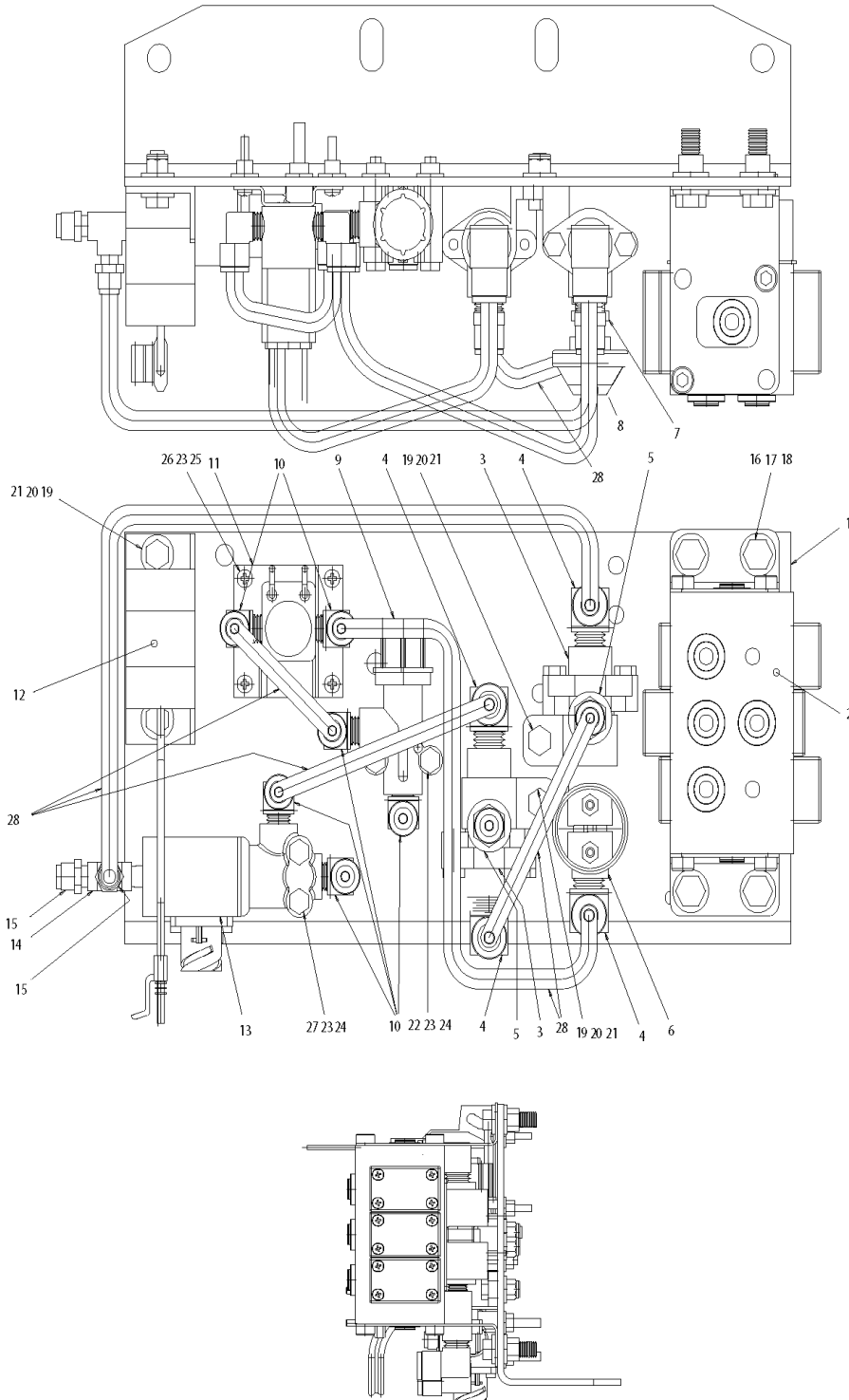
Models: A3FE, C3FE
VALVE ASSY
BRAKE INTERLOCK
TRACTION CONTROL

With: 40453-01 WITH 40070 AND 40051-07 CAT 07
40453-01 WITH 40070 AND 40051-02 ISB 07
40453-01 ATC WITH 40051-01

Key	PartNumber	Qty	Description	Comment
1	0102446	1	BRACKET,MOUNTINNG,BRK INTERLOCK WITH	
2	0102339	1	VALVE,SOLENOID,TRACTION CONTROL,AIR	
3	1047133	1	FITTING,T,BRASS,1/8 FPT PARKER 2203 P-2	
4	0013103	2	CONNECTOR,MALE,1868X6X2-Z,.13MP X .38T	
5	0009914	6	ELBOW,90 DEG,MALE1869X6-Z,.25MPT X .38T"	
6	1686807	1	VALVE ASSY,SOLENOID,NC ALLENAIR	
7	0654434	2	VALVE,DOUBLE CHECK,3/8 PIPE	
8	0009918	2	CONNECTOR,MALE,1868X6X6-Z,.38MPT X .38T"	
9	1010065	1	TEE,STREET,3/8 PIPE 3750 X 6	
10	2027134	1	BUSHING,PIPE,3/8 X 1/4,BRASS	
11	1940873	1	SWITCH ASSY,STOPLIGHT PRESSURE	
12	0009911	4	ELBOW,90 DEG,MALE1869X6X6-Z,.38MPT	
13	1102938	1	VALVE,PRESS REDU,RV-1,40 PSI,BW279926	
14	1246651	2	CAPSCREW,HEX HD,1/4-20X2 3/4,GR5,YEL	
15	1247709	8	WASHER,FLAT,17/64 ID X,5/8,YEL ZN DICH	
16	2001345	4	NUT,HEX HD,1/4-20,LOCKING,YELLOW	
17	2000768	4	SCREW,MACH,10-24 X 1, PH1,RD HD,YEL ZN	
18	1469287	4	NUT,HEX,10-24,ELASTIC LOCKNUT,YEL ZN	
19	0654459	2	CAPSCREW,HEX HD,5/16-18X7/8,GR5,YEL ZN	
20	2001121	2	WASHER,FLAT,5/16 X 3/4,X 5/64,YEL ZN DICH	
21	1465954	2	NUT,HEX HD,5/16-18,LK,NYLON INSERT,YEL	
22	1092337	2	CAPSCREW,HEX HD,1/4-20 X 2,GR 5,YEL ZN	
23	1346857	2"	TUBING,PLASTIC,3/8 OD,BLUE,SAE J844 TYPE B	

Models: A3FE, C3FE
VALVE ASSY
BRAKE INTERLOCK
TRACTION CONTROL
KNEELING
With: FEATURE 40453-01
BSN: From CSN 0232665 (04/05/06)

Key	PartNumber	Qty	Description	Comment
-----	------------	-----	-------------	---------



Models: A3FE, C3FE
VALVE ASSY
BRAKE INTERLOCK
TRACTION CONTROL
KNEELING
With: FEATURE 40453-01
BSN: From CSN 0232665 (04/05/06)

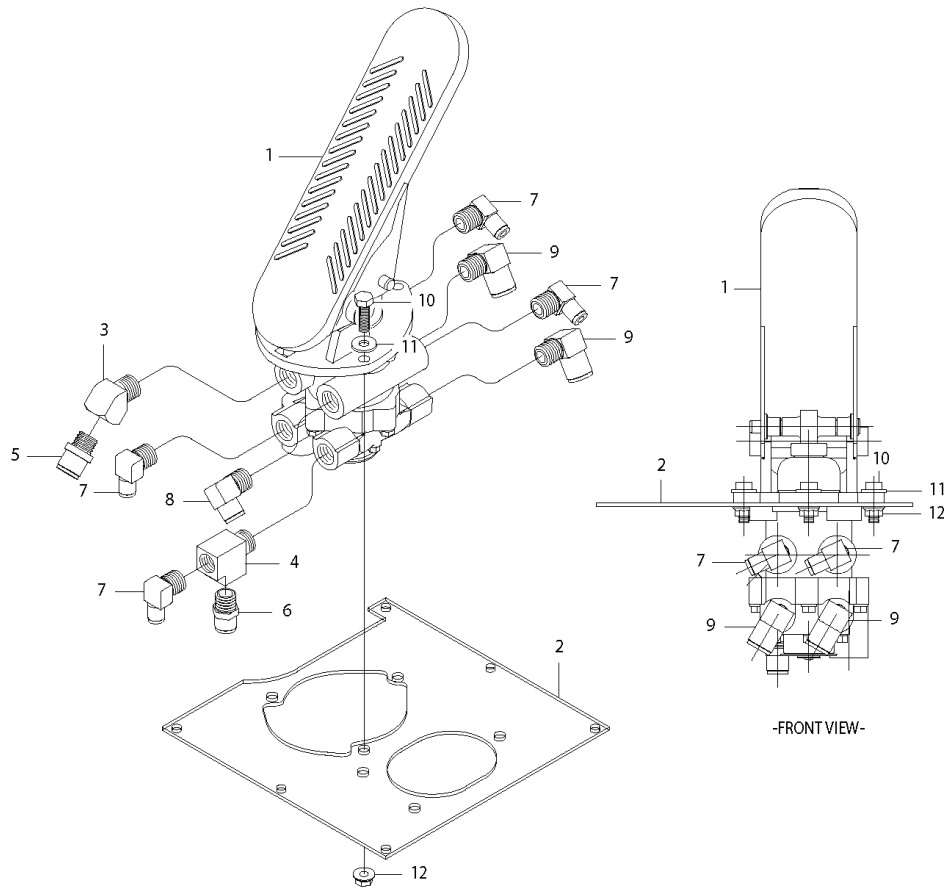
Key	PartNumber	Qty	Description	Comment
1	0102550	1	BRACKET,MOUNTING,BRK INTLCK,KNEEL,ATC	
2	0055088	1	PANEL,INSIDE,LOWER,64.05, C4RE	
3	0654434	2	VALVE,DOUBLE CHECK,3/8 PIPE	
4	0009911	4	ELBOW,90 DEG,MALE1869X6X6-Z,.38MPT	
5	0009918	2	CONNECTOR,MALE,1868X6X6-Z,.38MPT X .38T"	
6	1010065	1	TEE,STREET,3/8 PIPE 3750 X 6	
7	2027134	1	BUSHING,PIPE,3/8 X 1/4,BRASS	
8	1940873	1	SWITCH ASSY,STOPLIGHT PRESSURE	
9	1102938	1	VALVE,PRESS REDU,RV-1,40 PSI,BW279926	
10	0009914	6	ELBOW,90 DEG,MALE1869X6-Z,.25MPT X .38T"	
11	1686807	1	VALVE ASSY,SOLENOID,NC ALLENAIR	
12	0003311	1	HORN,BACKING ALARM,107 DB	
13	0102339	1	VALVE,SOLENOID,TRACTION CONTROL,AIR	
14	1047133	1	FITTING,T,BRASS,1/8 FPT PARKER 2203 P-2	
15	0013103	2	CONNECTOR,MALE,1868X6X2-Z,.13MP X .38T	
16	0803213	4	CAPSCREW,HEX HD,3/8-16X1 1/4,GR8,YEL	
17	1107085	8	WASHER,FLAT,13/32 X 13/16 X 3/32,HDN,BLK	
18	0826297	4	NUT,HEX HD,3/8-16 LOCK,YEL ZN DICH	
19	0654459	4	CAPSCREW,HEX HD,5/16-18X7/8,GR5,YEL ZN	
20	2001121	6	WASHER,FLAT,5/16 X 3/4,X 5/64,YEL ZN DICH	
21	1465954	4	NUT,HEX HD,5/16-18,LK,NYLON INSERT,YEL	
22	1092337	2	CAPSCREW,HEX HD,1/4-20 X 2,GR 5,YEL ZN	
23	1247709	8	WASHER,FLAT,17/64 ID X,5/8,YEL ZN DICH	

Models: A3FE, C3FE
VALVE ASSY
BRAKE INTERLOCK
TRACTION CONTROL
KNEELING
With: FEATURE 40453-01
BSN: From CSN 0232665 (04/05/06)

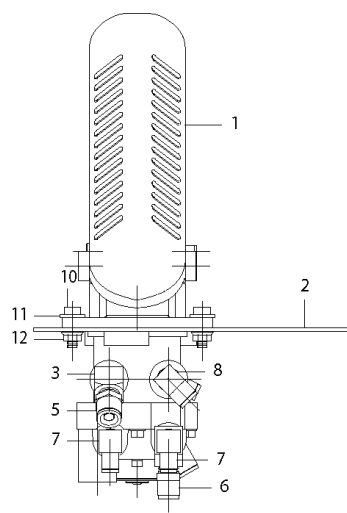
Key	PartNumber	Qty	Description	Comment
24	2001345	4	NUT,HEX HD,1/4-20,LOCKING,YELLOW	
25	2000768	4	SCREW,MACH,10-24 X 1, PH1,RD HD,YEL ZN	
26	1469287	4	NUT,HEX,10-24,ELASTIC LOCKNUT,YEL ZN	
27	1246651	2	CAPSCREW,HEX HD,1/4-20X2 3/4,GR5,YEL	
28	1346857	3	TUBING,PLASTIC,3/8 OD,BLUE,SAE J844 TYPE B	

Models: A3FE, C3FE
VALVE ASSY
BRAKE TREADLE & PEDAL
AIR THROTTLE
With: FEATURE 40070
BSN: From 5/7/01

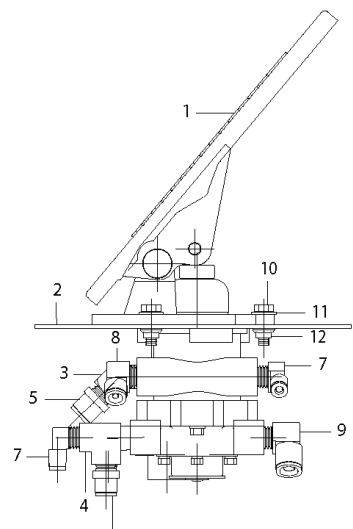
Key	PartNumber	Qty	Description	Comment
-----	------------	-----	-------------	---------



-FRONT VIEW-



-REARVIEW-



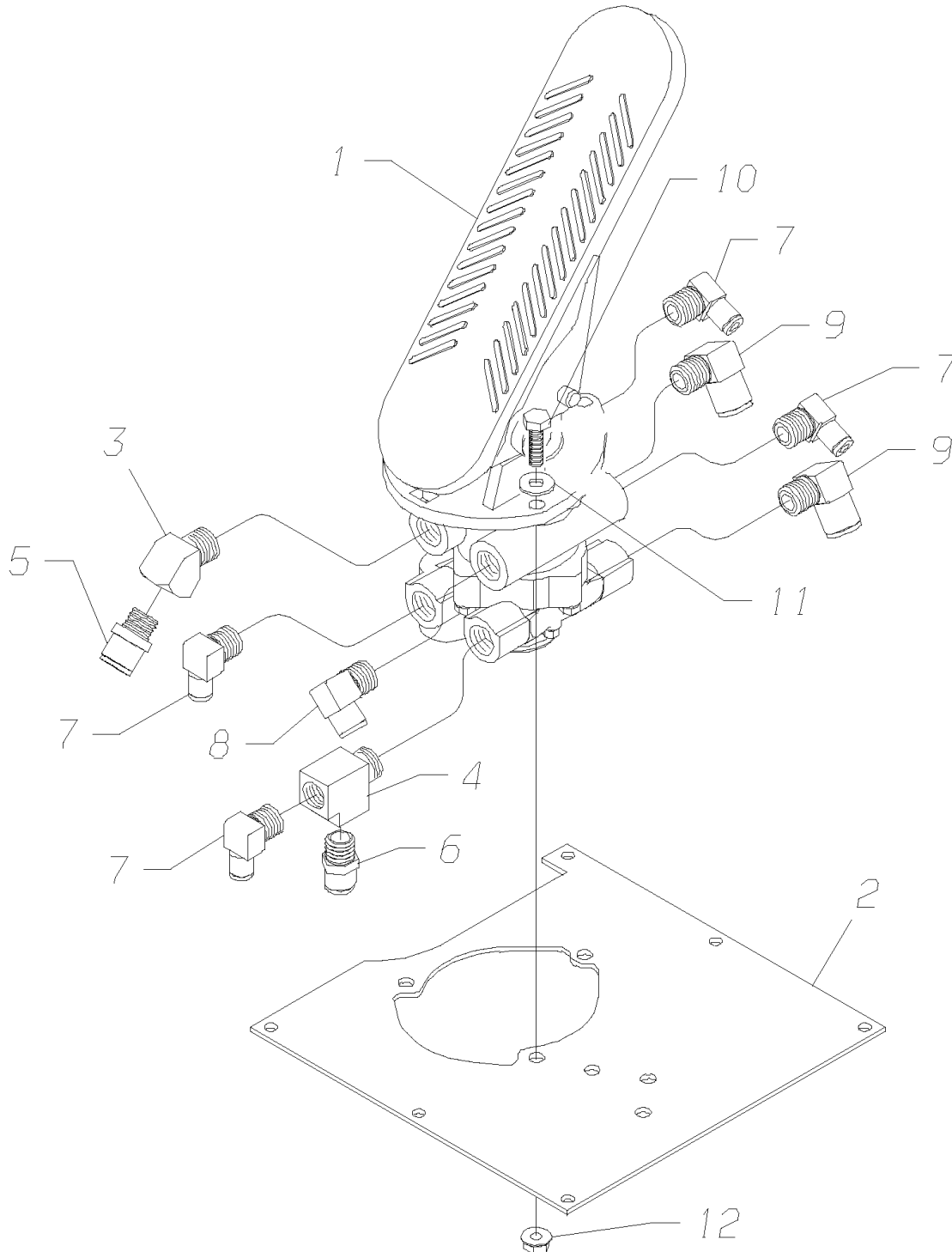
-RIGHT SIDEVIEW-

Models: A3FE, C3FE
VALVE ASSY
BRAKE TREADLE & PEDAL
AIR THROTTLE
With: FEATURE 40070
BSN: From 5/7/01

Key	PartNumber	Qty	Description	Comment
1	0020837		VALVE,TREADLE & PEDAL,AIR BRAKE	
2	0035750		PLATE,MTG,A/BRK TREADLE,AIR THROTTLE	
3	2008282		ELBOW,STREET,45 DEG,3350X6Z,BRASS	
4	1010065		TEE,STREET,3/8 PIPE 3750 X 6	
5	0009921		CONNECTOR,MALE,1868X8-Z,.38MPT X .50T"	
6	0009918		CONNECTOR,MALE,1868X6X6-Z,.38MPT X .38T"	
7	0009913	4	ELBOW,90 DEG,MALE1869X4X6-Z,.38MPT	
8	0009911		ELBOW,90 DEG,MALE1869X6X6-Z,.38MPT	
9	0009906	2	ELBOW,90 DEG,MALE1869X8-Z,.38MPT X .50T	
10	0854406	3	CAPSCREW,HEX HD,5/16-18 X 1,GR8,YEL ZN	
11	2001121	3	WASHER,FLAT,5/16 X 3/4,X 5/64,YEL ZN DICH	
12	1484033	3	NUT,HEX HD,5/16-18,FLG PRVG TORQ	

Models: A3FE, C3FE
VALVE ASSY
BRAKE TREADLE & PEDAL
ELECTRIC THROTTLE, ABS
BSN: From CSN 30080061 (05/07/01)

Key	PartNumber	Qty	Description	Comment
-----	------------	-----	-------------	---------

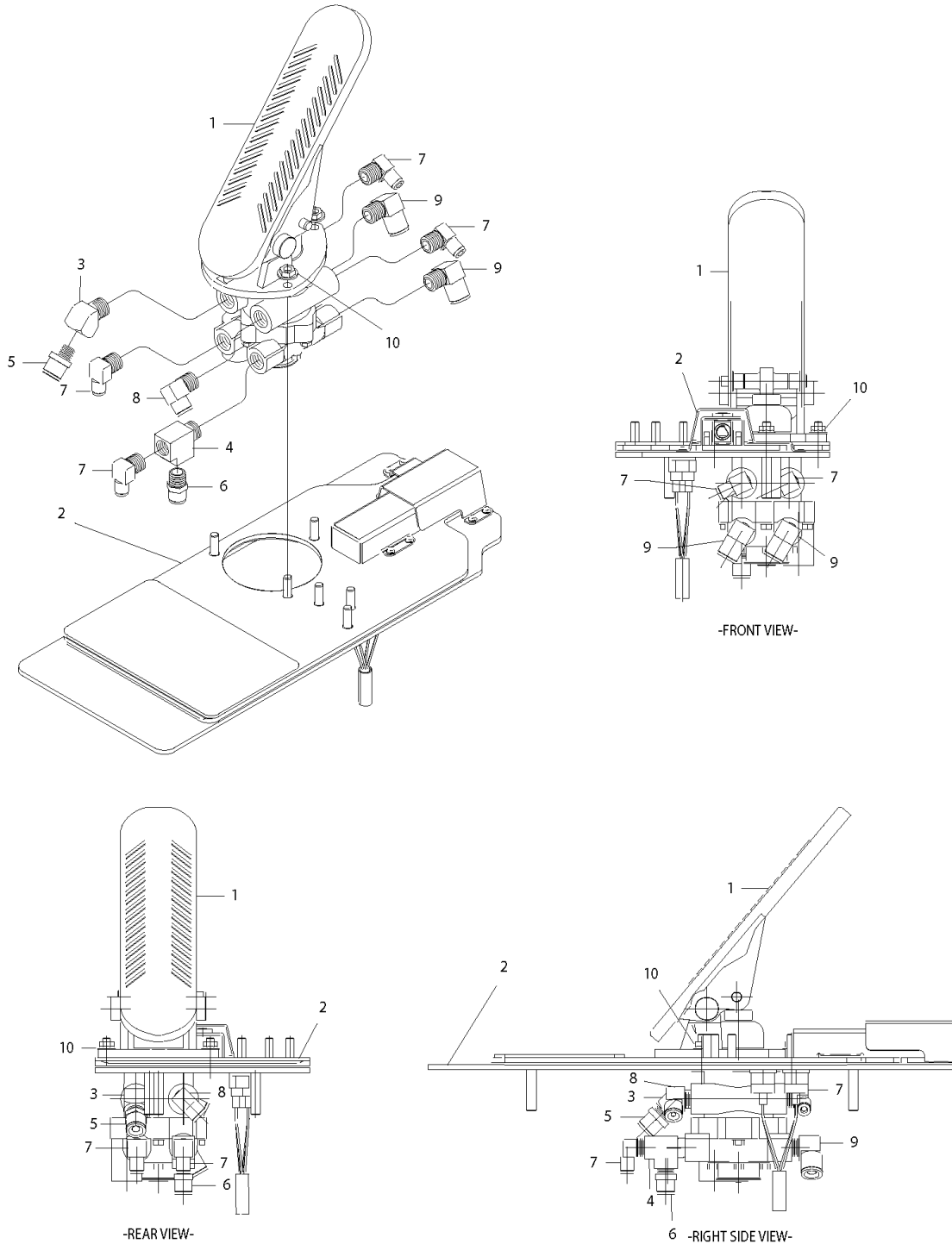


Models: A3FE, C3FE
VALVE ASSY
BRAKE TREADLE & PEDAL
ELECTRIC THROTTLE, ABS
BSN: From CSN 30080061 (05/07/01)

Key	PartNumber	Qty	Description	Comment
1	0020837	1	VALVE,TREADLE & PEDAL,AIR BRAKE	
2	0035347	1	PLATE,MTG,A/BRK TREADLE,ELEC THROTTLE,	
3	2008282	1	ELBOW,STREET,45 DEG,3350X6Z,BRASS	
4	1010065	1	TEE,STREET,3/8 PIPE 3750 X 6	
5	0009921	1	CONNECTOR,MALE,1868X8-Z,.38MPT X .50T"	
6	0009918	1	CONNECTOR,MALE,1868X6X6-Z,.38MPT X .38T"	
7	0009913	4	ELBOW,90 DEG,MALE1869X4X6-Z,.38MPT	
8	0009911	1	ELBOW,90 DEG,MALE1869X6X6-Z,.38MPT	
9	0009906	2	ELBOW,90 DEG,MALE1869X8-Z,.38MPT X .50T	
10	0854406	3	CAPSCREW,HEX HD,5/16-18 X 1,GR8,YEL ZN	
11	2001121	3	WASHER,FLAT,5/16 X 3/4,X 5/64,YEL ZN DICH	
12	1480433	3	NUT,HEX HD,5/16-18,FLG PRVG TORQ,GR F,	

Models: A3FE, C3FE
VALVE ASSY
BRAKE TREADLE & PEDAL
ELECTRIC THROTTLE, ABS
ADJUSTABLE PEDALS
With: FEATURE 40070
BSN: From CSN 30092735 (8/16/01)

Key	PartNumber	Qty	Description	Comment
-----	------------	-----	-------------	---------

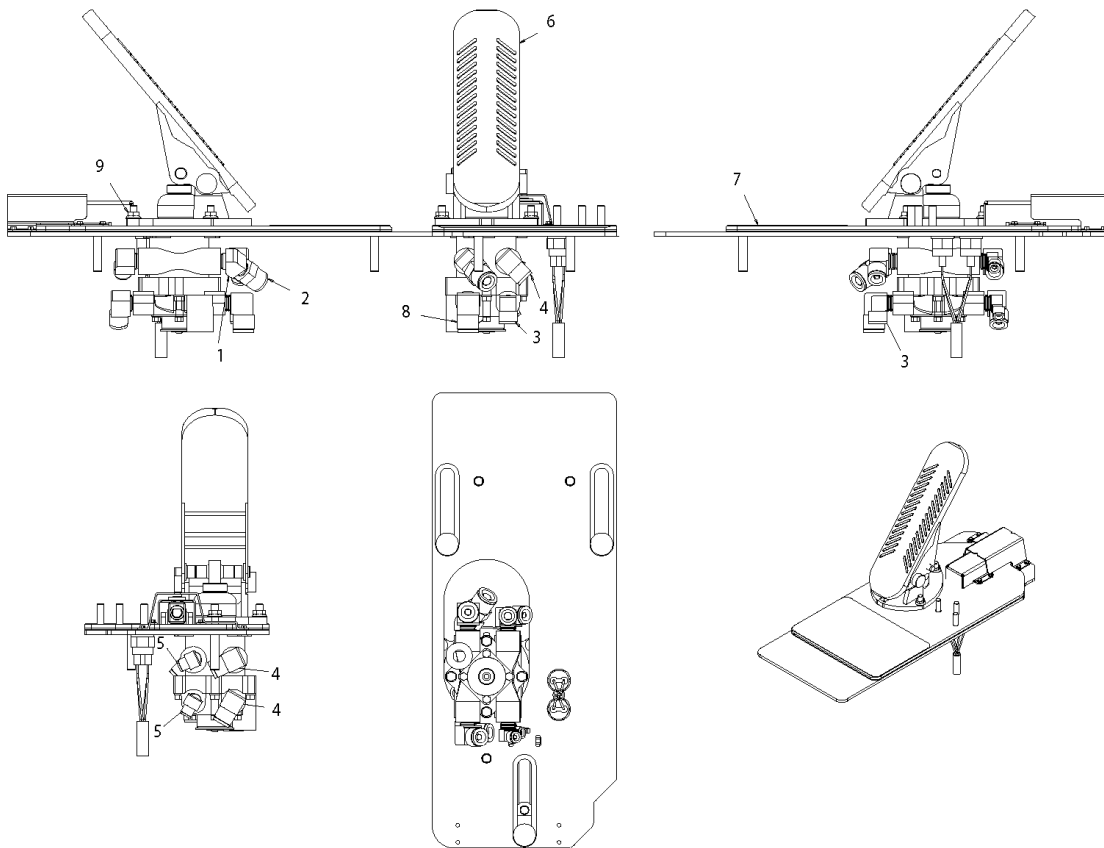


Models: A3FE, C3FE
VALVE ASSY
BRAKE TREADLE & PEDAL
ELECTRIC THROTTLE, ABS
ADJUSTABLE PEDALS
With: FEATURE 40070
BSN: From CSN 30092735 (8/16/01)

Key	PartNumber	Qty	Description	Comment
1	0020837		VALVE,TREADLE & PEDAL,AIR BRAKE	
2	0041338		PLATE ASSEMBLY,ADJUSTABLE PEDALS	
3	2008282		ELBOW,STREET,45 DEG,3350X6Z,BRASS	
4	1010065		TEE,STREET,3/8 PIPE 3750 X 6	
5	0009921		CONNECTOR,MALE,1868X8-Z,.38MPT X .50T"	
6	0009918	4	CONNECTOR,MALE,1868X6X6-Z,.38MPT X .38T"	
7	0009913		ELBOW,90 DEG,MALE1869X4X6-Z,.38MPT	
8	0009911	2	ELBOW,90 DEG,MALE1869X6X6-Z,.38MPT	
10	1480433	3	NUT,HEX HD,5/16-18,FLG PRVG TORQ,GR F,	

Models: A3FE, C3FE
VALVE ASSY
BRAKE TREADLE & PEDAL
ELECTRIC THROTTLE, ABS
WITH ISB07
With: FEATURE 40070 WITH 40099-01
BSN: From CSN 0267140 (01/29/07)

Key	PartNumber	Qty	Description	Comment
-----	------------	-----	-------------	---------

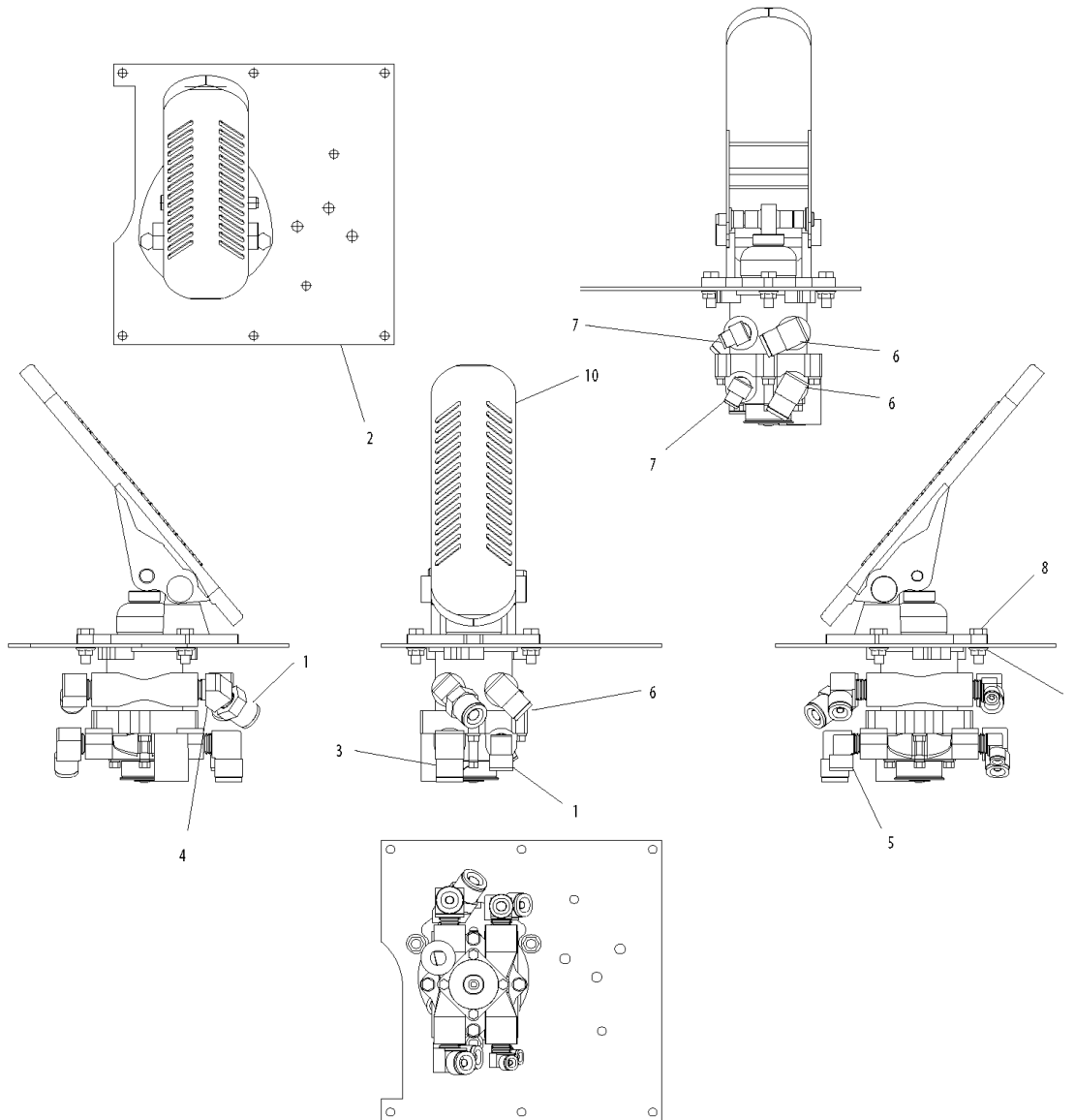


Models: A3FE, C3FE
VALVE ASSY
BRAKE TREADLE & PEDAL
ELECTRIC THROTTLE, ABS
WITH ISB07
With: FEATURE 40070 WITH 40099-01
BSN: From CSN 0267140 (01/29/07)

Key	PartNumber	Qty	Description	Comment
1	0009906	1	ELBOW,90 DEG,MALE1869X8-Z,.38MPT X .50T	
2	0009911	3	ELBOW,90 DEG,MALE1869X6X6-Z,.38MPT	
3	0009913	2	ELBOW,90 DEG,MALE1869X4X6-Z,.38MPT	
4	0020837	1	VALVE,TREADLE & PEDAL,AIR BRAKE	
5	0104340	2	ELBOW,90 DEG,MALE1869X10X6,.38MPT	
6	0104396	1	ADAPTER,FITTING,.38MPTX.38FPT,	
7	1480433	3	NUT,HEX HD,5/16-18,FLG PRVG TORQ,GR F,	
8	0041338	1	PLATE ASSEMBLY,ADJUSTABLE PEDALS	

Models: A3FE, C3FE
VALVE ASSY
BRAKE TREADLE & PEDAL
ELECTRIC THROTTLE, ABS
WITH OUT ISB07
With: FEATURE 40070 WITH OUT 40099-01 ISB07
BSN: From CSN 0267140 (01/29/07)

Key	PartNumber	Qty	Description	Comment
-----	------------	-----	-------------	---------



Models: A3FE, C3FE
VALVE ASSY
BRAKE TREADLE & PEDAL
ELECTRIC THROTTLE, ABS
WITH OUT ISB07

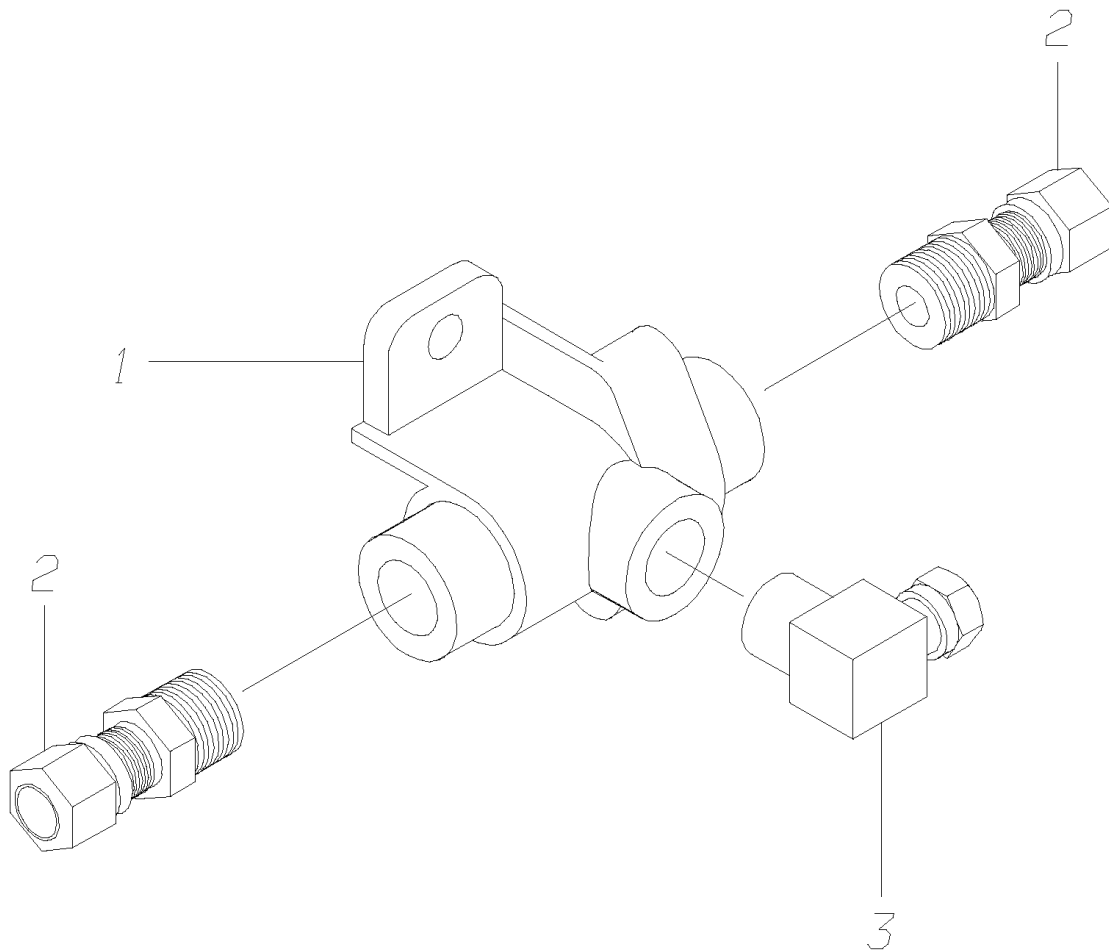
With: FEATURE 40070 WITH OUT 40099-01 ISB07

BSN: From CSN 0267140 (01/29/07)

Key	PartNumber	Qty	Description	Comment
1	0009906	1	ELBOW,90 DEG,MALE1869X8-Z,.38MPT X .50T	
2	0009911	3	ELBOW,90 DEG,MALE1869X6X6-Z,.38MPT	
3	0009913	2	ELBOW,90 DEG,MALE1869X4X6-Z,.38MPT	
4	0020837	1	VALVE,TREADLE & PEDAL,AIR BRAKE	
5	0035347	1	PLATE,MTG,A/BRK TREADLE,ELEC THROTTLE,	
6	0104340	2	ELBOW,90 DEG,MALE1869X10X6,.38MPT	
7	0104396	1	ADAPTER,FITTING,.38MPTX.38FPT,	
8	0854406	3	CAPSCREW,HEX HD,5/16-18 X 1,GR8,YEL ZN	
9	1480433	3	NUT,HEX HD,5/16-18,FLG PRVG TORQ,GR F,	

Models: A3FE, C3FE
VALVE ASSY
DOUBLE CHECK

Key	PartNumber	Qty	Description	Comment
-----	------------	-----	-------------	---------

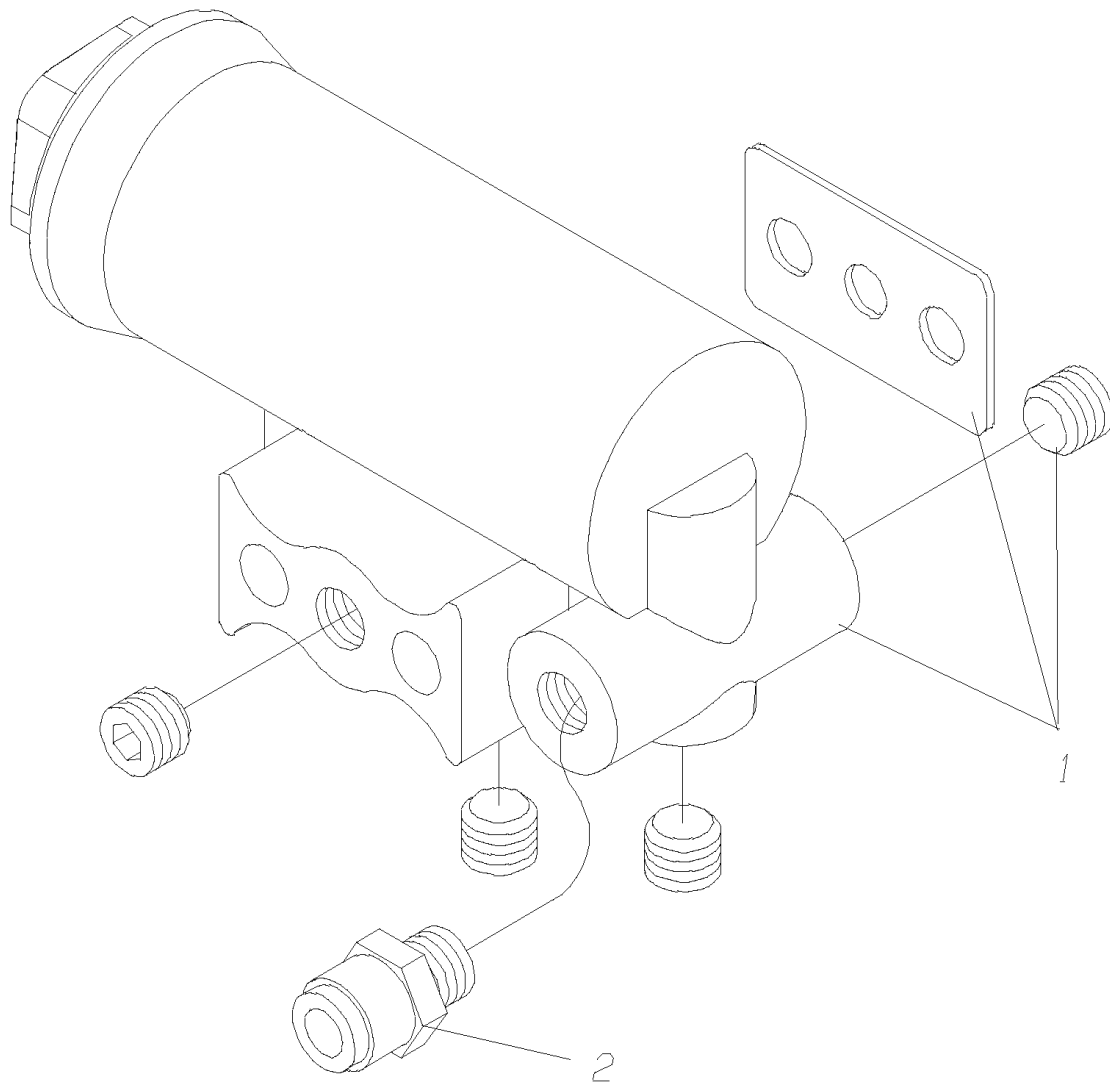


Models: A3FE, C3FE
VALVE ASSY
DOUBLE CHECK

Key	PartNumber	Qty	Description	Comment
1	0654434		VALVE,DOUBLE CHECK,3/8 PIPE	
2	0009918	2	CONNECTOR,MALE,1868X6X6-Z,.38MPT X .38T"	
3	0009913		ELBOW,90 DEG,MALE1869X4X6-Z,.38MPT	

Models: A3FE, C1FE, C3FE, CSFE, TCFE
**VALVE ASSY
GOVERNOR**
BSN: From CSN 30085736 (05/07/01)

Key	PartNumber	Qty	Description	Comment
-----	------------	-----	-------------	---------

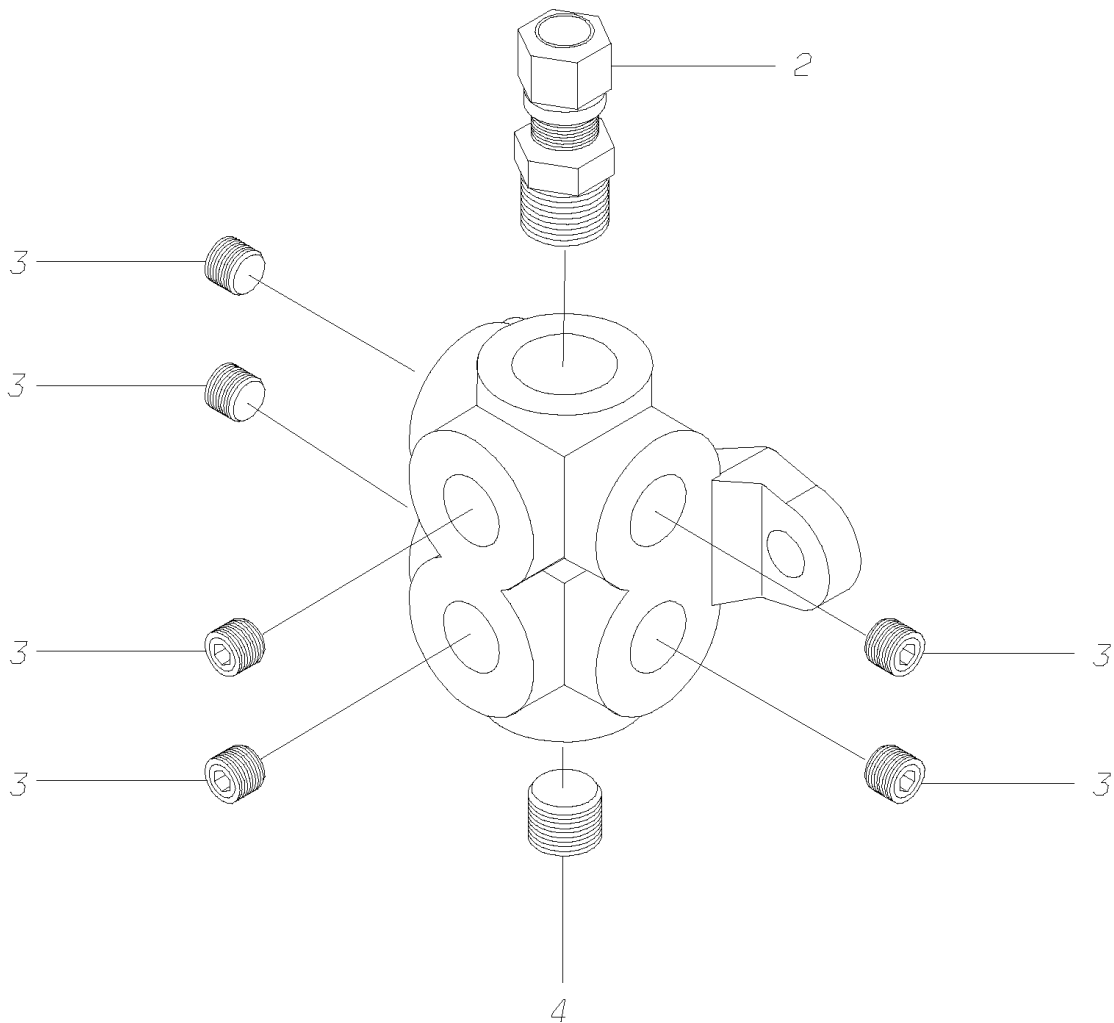


Models: A3FE, C1FE, C3FE, CSFE, TCFE
VALVE ASSY
GOVERNOR
BSN: From CSN 30085736 (05/07/01)

Key	PartNumber	Qty	Description	Comment
1	0908160		GOVERNOR,AIR COMPRESSOR,275491	
NI	2644201		KIT,REPAIR,AIR GOVERNOR	
2	0009917		CONNECTOR,MALE,1868X4-Z,.13MP X .25T"	

Models: A3FE, C3FE
VALVE ASSY
MANIFOLD
AIR SYSTEM

Key	PartNumber	Qty	Description	Comment
-----	------------	-----	-------------	---------

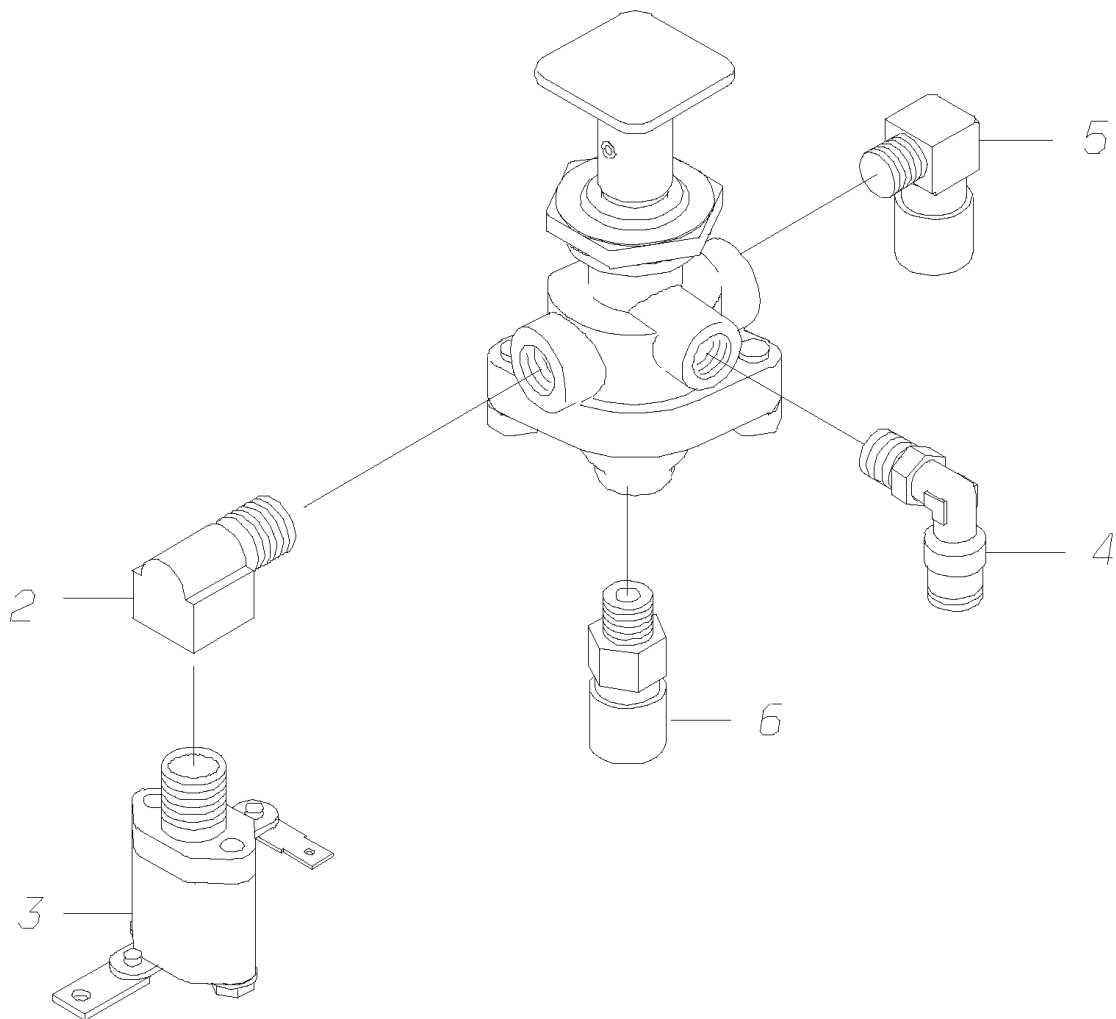


Models: A3FE, C3FE
VALVE ASSY
MANIFOLD
AIR SYSTEM

Key	PartNumber	Qty	Description	Comment
1	2023083	1	FITTING,MANIFOLD,212322	
2	0009918	1	CONNECTOR,MALE,1868X6X6-Z,.38MPT X .38T"	
3	2023513	6	PLUG,PIPE,1/4,ALLEN HEX HD,BRASS	
4	2009595	1	PLUG,PIPE,3/8,GALV	

Models: A3FE, A3RE, C1FE, C3FE, CSRE, QBRE
VALVE ASSY
PARKING BRAKE
BSN: From CSN 30079480 FE 10077010 RE (01/22/01)

Key	PartNumber	Qty	Description	Comment
-----	------------	-----	-------------	---------

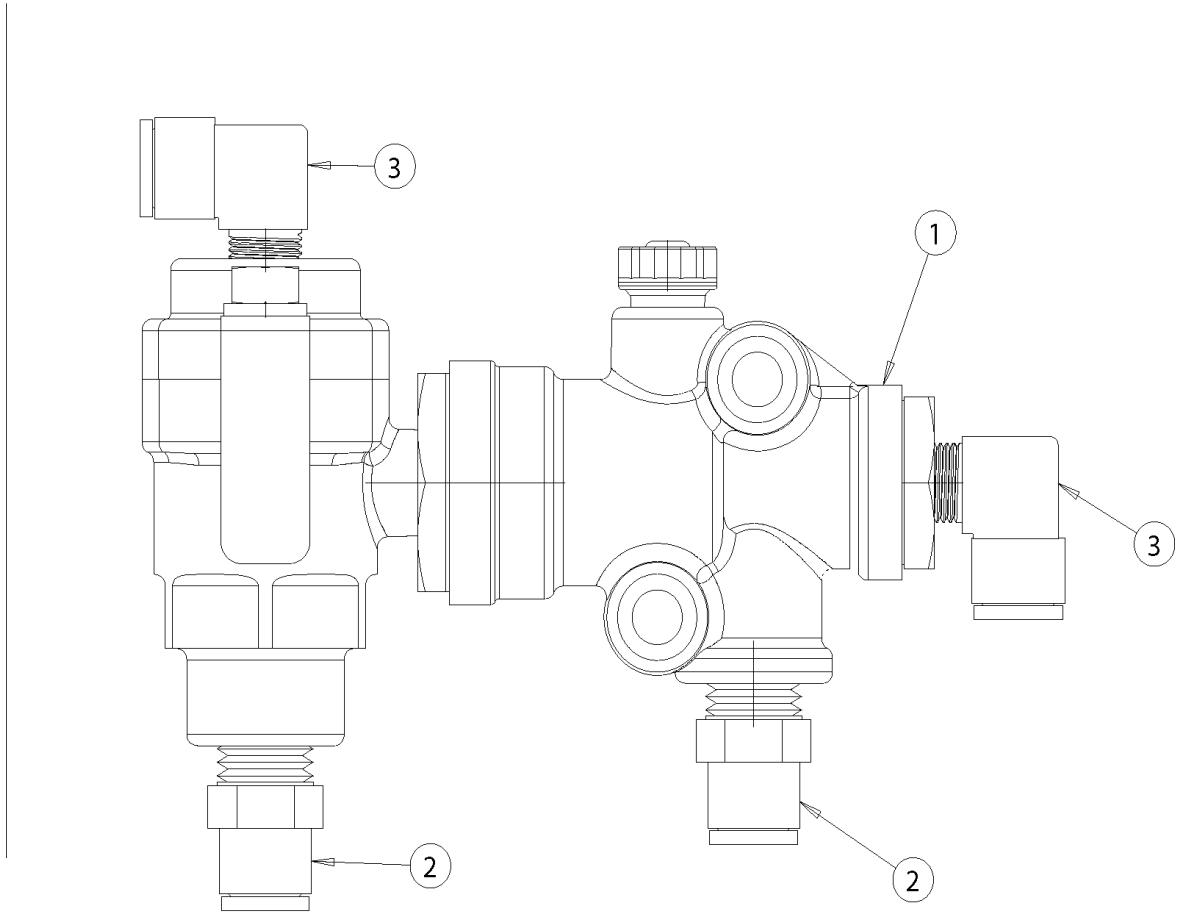


Models: A3FE, A3RE, C1FE, C3FE, CSRE, QBRE
**VALVE ASSY
 PARKING BRAKE**
BSN: From CSN 30079480 FE 10077010 RE (01/22/01)

Key	PartNumber	Qty	Description	Comment
1	0032235	1	VALVE,PARKING BRAKE,PP-1	
NI	0054535	1	KIT,REPAIR FOR 0032235 VALVE"	
NI	0054536	1	BUTTON,FOR VALVE 0032235"	
NI	2705762	1	PIN,SPIROL,FOR PARKING BRAKE VALVE KNOB	
2	0605188	1	ELBOW,REDUCING,STREET,1/4 X 1/8 PIPE	
3	0982918	1	INDICATOR,LOW PRESSURE,LP-3,30 PSI	
4	0017219	1	ELBOW,90 DEG MALE SWIVEL,1869X4S	
5	0009989	1	ELBOW,90,MALE,1869X6X2-Z.13MP X .38T	
6	0013103	1	CONNECTOR,MALE,1868X6X2-Z,.13MP X .38T	

Models: A3RE, AAFE, C3FE
VALVE ASSY
PARKING BRAKE, INTERLOCK
With: FEATURE 40051-07

Key	PartNumber	Qty	Description	Comment
-----	------------	-----	-------------	---------

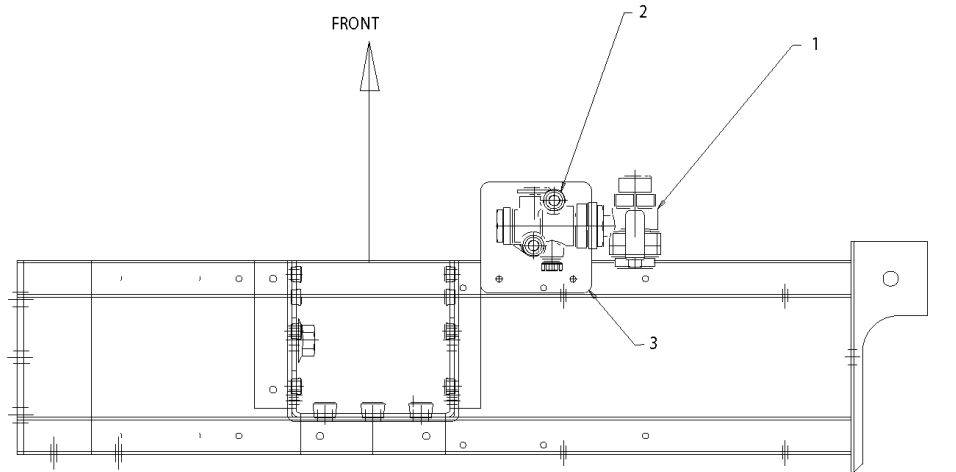


Models: A3RE, AAFE, C3FE
VALVE ASSY
PARKING BRAKE, INTERLOCK
With: FEATURE 40051-07

Key	PartNumber	Qty	Description	Comment
1	0107383	1	VALVE ASSY,INTERLOCK,PARK BRK,TWO STEP	
2	0009922	2	CONNECTOR,MALE,1868X4X4-Z,.25MPT X .25T"	
3	0009912	2	ELBOW,90 DEG,MALE1869X4X4-Z,.25MPT	

Models: A3FE, A3RE, C3FE
VALVE ASSY
PARKING BRAKE, INTERLOCK
INSTALLATION
With: FEATURE 40051-07

Key	PartNumber	Qty	Description	Comment
-----	------------	-----	-------------	---------

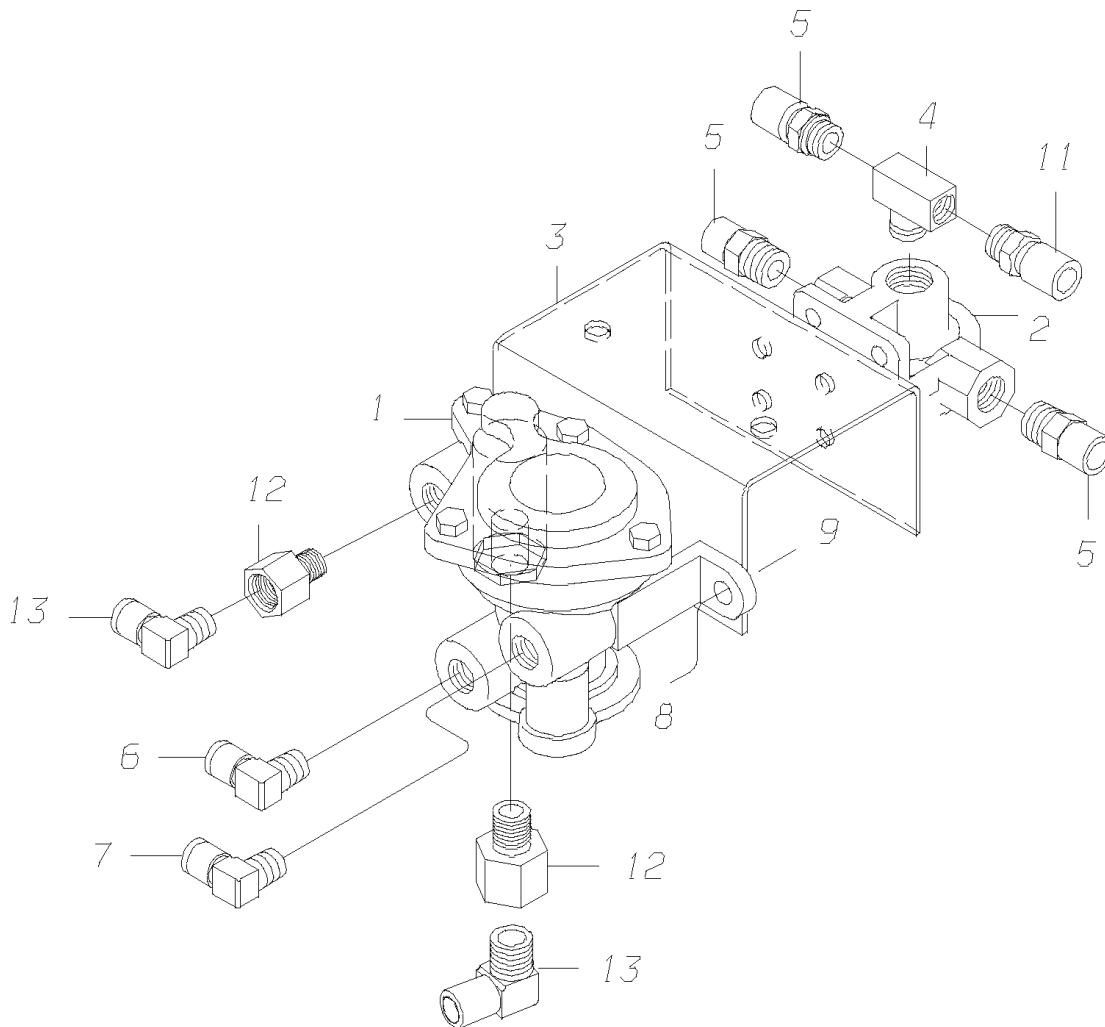


Models: A3FE, A3RE, C3FE
VALVE ASSY
PARKING BRAKE, INTERLOCK
INSTALLATION
With: FEATURE 40051-07

Key	PartNumber	Qty	Description	Comment
1	0108157	1	VALVE ASSY,INTERLOCK,PARK BRAKE,TWO	
2	1586502	2	SPACER,.75 OD X.437 ID X.437 LG	
3	0107909	1	PLATE,MTG,VALVE,INTERLOCK,PARK BRAKE	

Models: A3FE, C3FE
VALVE ASSY
QUICK RELEASE
WITH SR-1, SPRING BREAK
BSN: From CSN 30046541 (01/03/00)

Key	PartNumber	Qty	Description	Comment
-----	------------	-----	-------------	---------

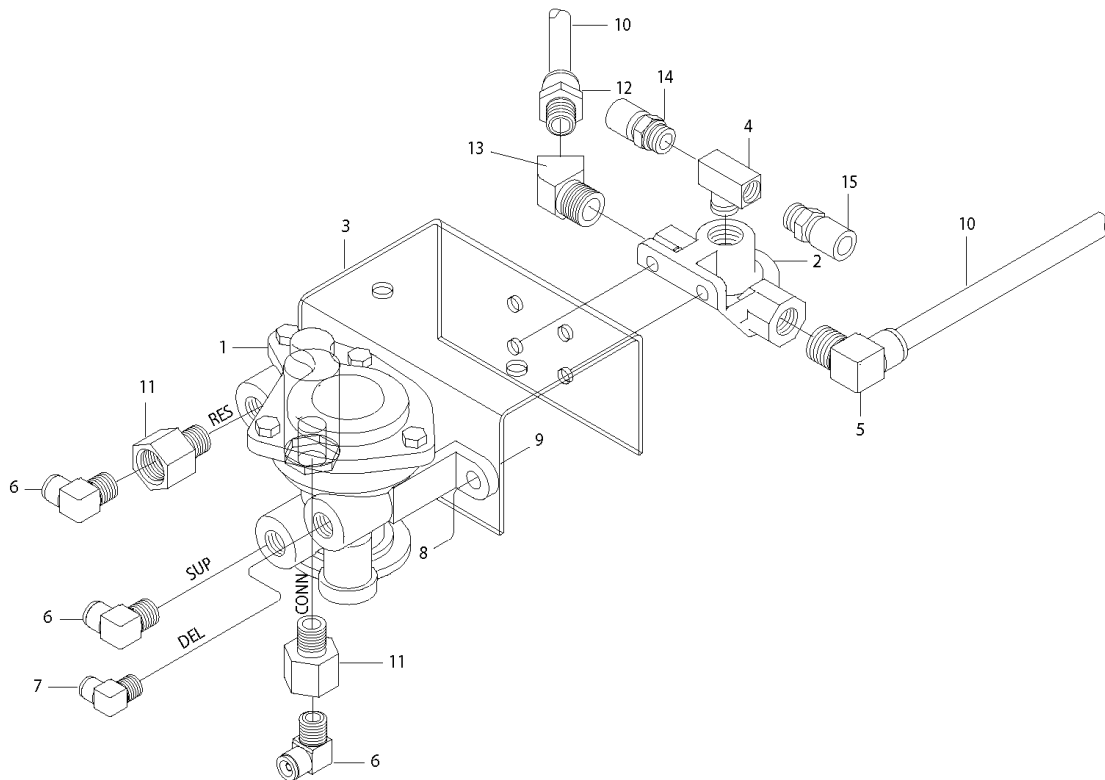


Models: A3FE, C3FE
VALVE ASSY
QUICK RELEASE
WITH SR-1, SPRING BREAK
BSN: From CSN 30046541 (01/03/00)

Key	PartNumber	Qty	Description	Comment
1	0654426	1	VALVE,SPRING BRAKE	
2	1940865	1	VALVE,QUICK RELEASE,3/8" INLET PORT	
3	1341874	1	BRACKET,MTG,QUICK RELEASE & SPRG BRK	
4	0016750	1	TEE,BRASS,3/8MPTX3/8FPTX3/8FPT,3600X6	
5	0009921	3	CONNECTOR,MALE,1868X8-Z,.38MPT X .50T"	
6	0009914	1	ELBOW,90 DEG,MALE1869X6-Z,.25MPT X .38T"	
7	0009912	1	ELBOW,90 DEG,MALE1869X4X4-Z,.25MPT	
8	0854414	4	CAPSCREW,HEX HD,5/16-18X7/8,GR8,YEL ZN	
9	0829390	4	NUT,HEX HD,5/16-18,SER WASHER,YEL ZN	
10			CURRENTLY NOT USED	
11	0009918	1	CONNECTOR,MALE,1868X6X6-Z,.38MPT X .38T"	
12	0766188	2	ADAPTER,3/8 FPT X 1/4 MPT	
13	0009911	2	ELBOW,90 DEG,MALE1869X6X6-Z,.38MPT	

Models: A3FE, C3FE, C1FE, CSFE, TCFE
VALVE ASSY
QUICK RELEASE
WITH SR-1, SPRING BREAK
With: FEATURE 40070
BSN: From CSN 30046675 (01/03/00)
 To 6/10/07

Key	PartNumber	Qty	Description	Comment
-----	------------	-----	-------------	---------

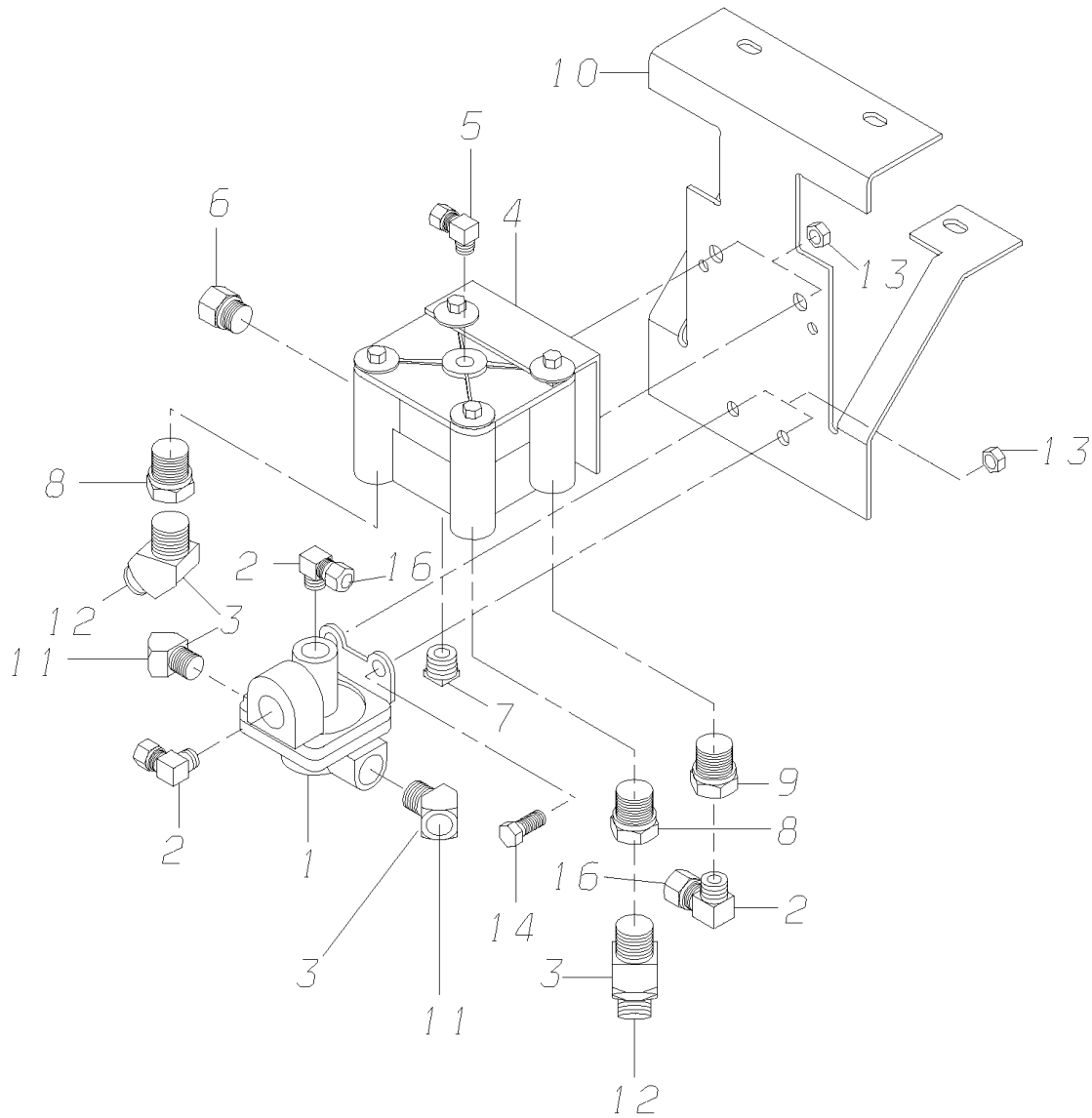


Models: A3FE, C3FE, C1FE, CSFE, TCFE
VALVE ASSY
QUICK RELEASE
WITH SR-1, SPRING BREAK
With: FEATURE 40070
BSN: From CSN 30046675 (01/03/00)
 To 6/10/07

Key	PartNumber	Qty	Description	Comment
1	0654426		VALVE,SPRING BRAKE	
2	1940865		VALVE,QUICK RELEASE,3/8" INLET PORT	
3	1341874		BRACKET,MTG,QUICK RELEASE & SPRG BRK	
4	0016750		TEE,BRASS,3/8MPTX3/8FPTX3/8FPT,3600X6	
5	0009906		ELBOW,90 DEG,MALE1869X8-Z,.38MPT X .50T	
6	0009911	6	ELBOW,90 DEG,MALE1869X6X6-Z,.38MPT	
7	0009912		ELBOW,90 DEG,MALE1869X4X4-Z,.25MPT	
8	0854414	4	CAPSCREW,HEX HD,5/16-18X7/8,GR8,YEL ZN	
9	0829390	4	NUT,HEX HD,5/16-18,SER WASHER,YEL ZN	
10	1346865	AR	TUBING,PLASTIC,1/2 OD,BLACK,SAE J844 TYPE	
11	0766188	2	ADAPTER,3/8 FPT X 1/4 MPT	
12	0009921		CONNECTOR,MALE,1868X8-Z,.38MPT X .50T"	
13	2008282		ELBOW,STREET,45 DEG,3350X6Z,BRASS	
14	0009921		CONNECTOR,MALE,1868X8-Z,.38MPT X .50T"	
15	0009918		CONNECTOR,MALE,1868X6X6-Z,.38MPT X .38T"	

Models: A3FE, C3FE
VALVE ASSY
SPRING & SERVICE BRAKE
BSN: From CSN 30012575 (07/22/98)

Key	PartNumber	Qty	Description	Comment
-----	------------	-----	-------------	---------

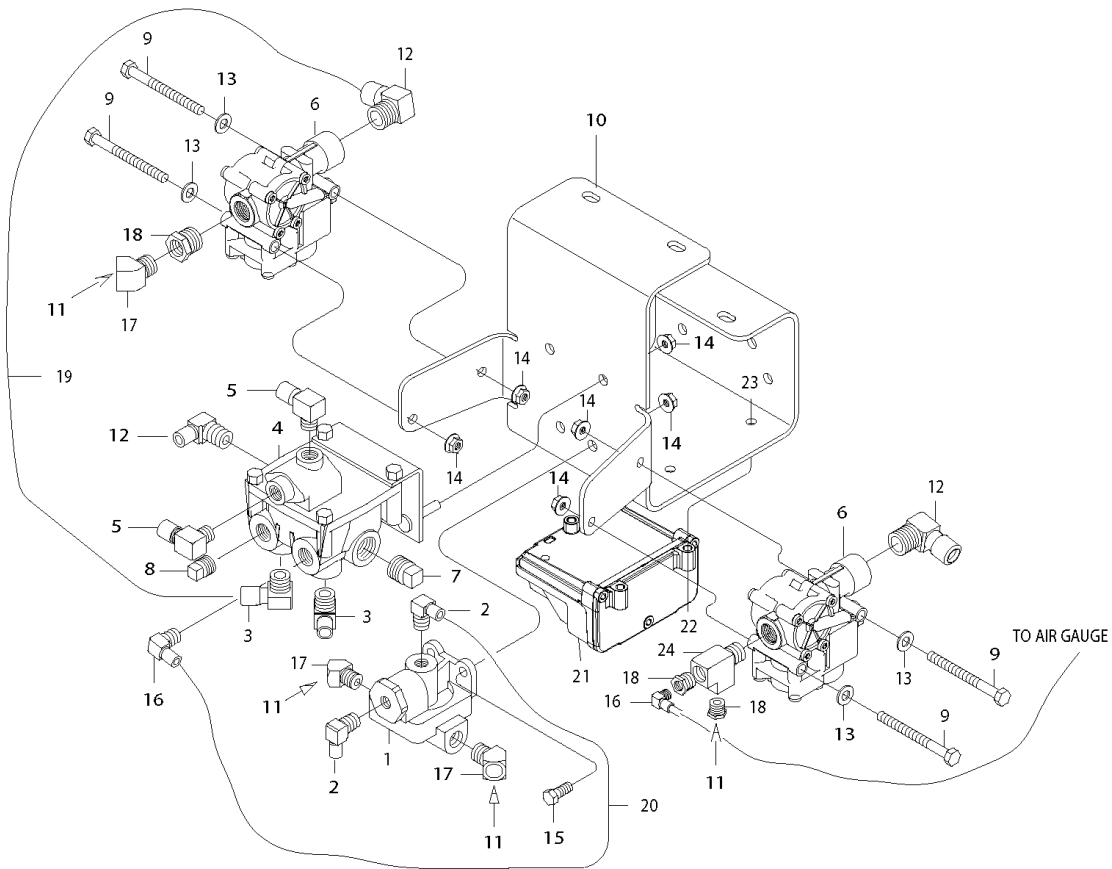


Models: A3FE, C3FE
VALVE ASSY
SPRING & SERVICE BRAKE
BSN: From CSN 30012575 (07/22/98)

Key	PartNumber	Qty	Description	Comment
1	1220128		VALVE,SPRING BRAKE,RELAY,QR-1C	
2	0009912	3	ELBOW,90 DEG,MALE1869X4X4-Z,.25MPT	
3	2008282	4	ELBOW,STREET,45 DEG,3350X6Z,BRASS	
4	1066679		VALVE,SERVICE BRK RELAY,R12,W/LH SUP	
NI	2135721		KIT,MAINTENANCE,TYPE R-12,R-14 RELAY	
5	0009914		ELBOW,90 DEG,MALE1869X6-Z,.25MPT X .38T"	
6	0009920		CONNECTOR,MALE,1868X8X8-Z,.50MPT X .50T"	
7	0663427		PLUG,PIPE,1/2 SQ HD,3151 X 8Z,BRASS	
8	2023539	2	BUSHING,PIPE,1/2MPT X 3/8FPT,3220X8X6Z,	
9	2027159		BUSHING,PIPE,1/2 X 1/4,BRASS	
10	1546829		BRACKET,MTG,RELAY VALVE/BKG HORN,TC	
11	0770883	2	HOSE ASSY,BRAKE,7/16 X 20 IN LONG	
12	0770909	2	HOSE ASSY,BRAKE,7/16 X 23 IN LONG	
13	0829390		NUT,HEX HD,5/16-18,SER WASHER,YEL ZN	
14	0854414	4	CAPSCREW,HEX HD,5/16-18X7/8,GR8,YEL ZN	
16	0654962		TUBING,PLASTIC,1/4 OD,BLACK,SAE J844 TYPE	

Models: A3FE, C3FE
VALVE ASSY
SPRING & SERVICE BRAKE
With: FEATURE 40076 WITH 40280-05
BSN: From CSN 0198635 (5/02/05)
 To 6/10/07

Key	PartNumber	Qty	Description	Comment
-----	------------	-----	-------------	---------



Models: A3FE, C3FE
VALVE ASSY
SPRING & SERVICE BRAKE
With: FEATURE 40076 WITH 40280-05
BSN: From CSN 0198635 (5/02/05)
 To 6/10/07

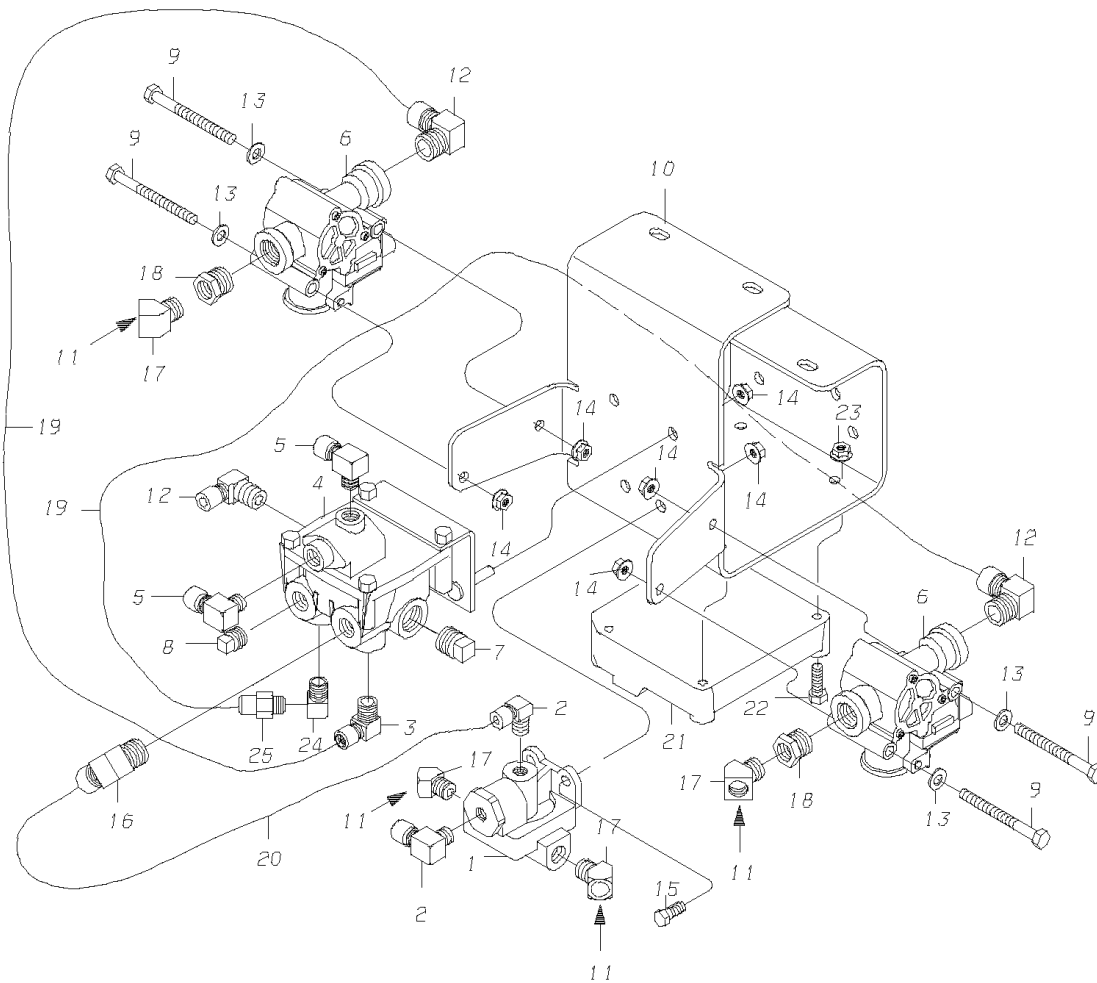
Key	PartNumber	Qty	Description	Comment
1	1220128		VALVE,SPRING BRAKE,RELAY,QR-1C	
2	0009912	2	ELBOW,90 DEG,MALE1869X4X4-Z,.25MPT	
3	0009906	2	ELBOW,90 DEG,MALE1869X8-Z,.38MPT X .50T	
4	1995851		VALVE,RELAY,R12 W/DOUBLE CHECK,ABS	
5	0009914	2	ELBOW,90 DEG,MALE1869X6-Z,.25MPT X .38T"	
6	0060035	2	MODULATOR,ABS,AIR BRAKE,M32QR	
7	0663427		PLUG,PIPE,1/2 SQ HD,3151 X 8Z,BRASS	
8	3772159		PLUG,PIPE,0.375,BRASS W/SEALANT,HEX HD	
9	1226877	4	CAPSCREW,HEX HD,5/16X 3 1/2,GR8,YEL ZN	
10	0084945	3	BRACKET,MOUNTING,ECU,AIR BRAKES,ABS, FE	
11	0770883	4	HOSE ASSY,BRAKE,7/16 X 20 IN LONG	
12	0009907	3	ELBOW,90 DEG,MALE1869X8X8-Z,.50MPT	
13	2001048	4	WASHER,FLAT,11/32 X 11/16 X 1/16,YEL	
14	0829390	8	NUT,HEX HD,5/16-18,SER WASHER,YEL ZN	
15	0854414	2	CAPSCREW,HEX HD,5/16-18X7/8,GR8,YEL ZN	
16	0009913	2	ELBOW,90 DEG,MALE1869X4X6-Z,.38MPT	
17	2008282	3	ELBOW,STREET,45 DEG,3350X6Z,BRASS	
18	2023539	3	BUSHING,PIPE,1/2MPT X 3/8FPT,3220X8X6Z,	
19	1346865	AR	TUBING,PLASTIC,1/2 OD,BLACK,SAE J844 TYPE	
20	0654962	AR	TUBING,PLASTIC,1/4 OD,BLACK,SAE J844 TYPE	
21	0084931	1	ELECTRONIC CTRL UNIT,ABS,BENDIX,EC-60	
22	0085457	3	SCREW,MACH,12-24X1-1/2,PH1,PAN HD,YELZN	
23	0003837	3	NUT,HEX HD,12-24,LK,NYLON INSERT,YEL ZN	

Models: A3FE, C3FE
VALVE ASSY
SPRING & SERVICE BRAKE
With: FEATURE 40076 WITH 40280-05
BSN: From CSN 0198635 (5/02/05)
To 6/10/07

Key	PartNumber	Qty	Description	Comment
24	0654350		TEE,1/2 PIPE,STREET	

Models: A3FE, C1FE, C3FE, CSFE, TCFE
VALVE ASSY
SPRING & SERVICE BRAKE
4 CHANNEL, ABS
With: FEATURE 40070
BSN: From CSN 30105845 (04/01/02)

Key	PartNumber	Qty	Description	Comment
-----	------------	-----	-------------	---------



Models: A3FE, C1FE, C3FE, CSFE, TCFE
VALVE ASSY
SPRING & SERVICE BRAKE
4 CHANNEL, ABS
With: FEATURE 40070
BSN: From CSN 30105845 (04/01/02)

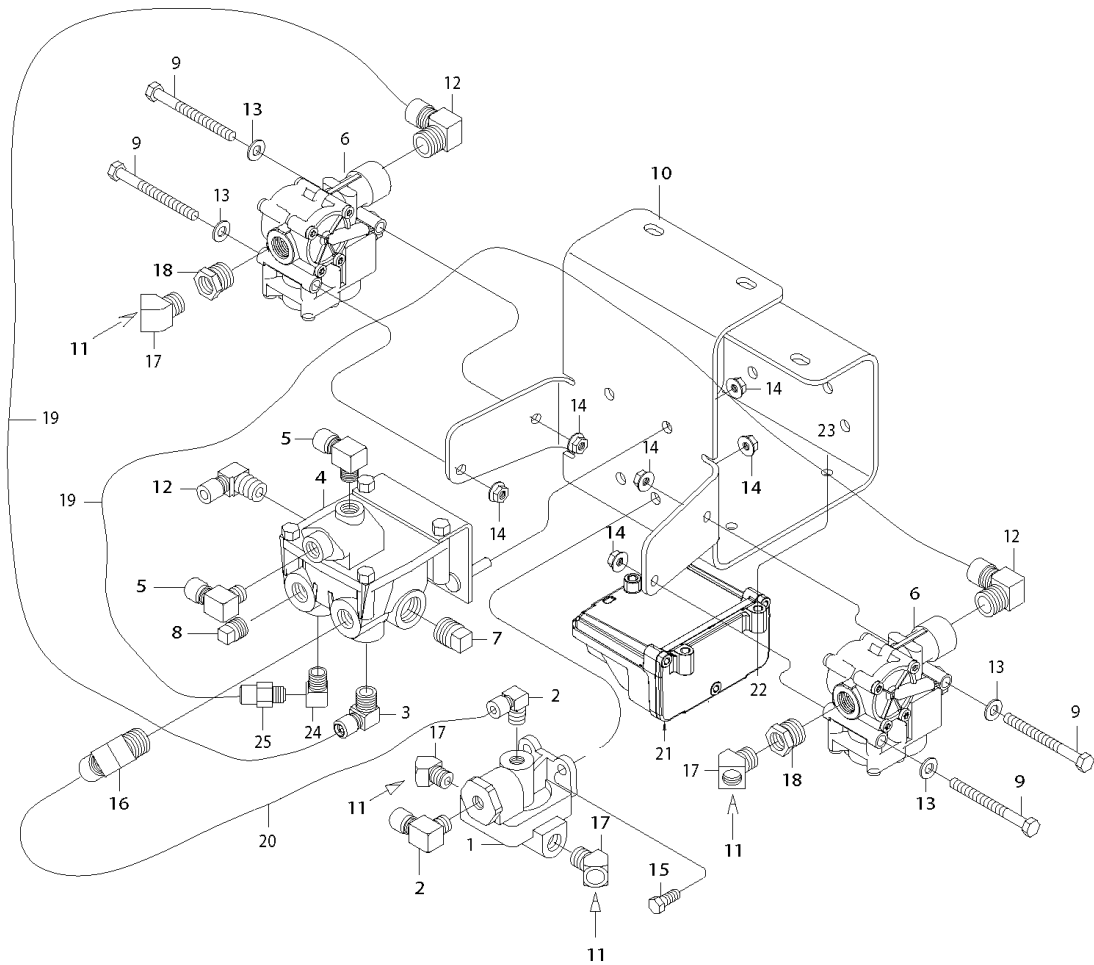
Key	PartNumber	Qty	Description	Comment
1	1220128	1	VALVE,SPRING BRAKE,RELAY,QR-1C	
2	0009912	2	ELBOW,90 DEG,MALE1869X4X4-Z,.25MPT	
3	0009906	2	ELBOW,90 DEG,MALE1869X8-Z,.38MPT X .50T	
4	1995851	1	VALVE,RELAY,R12 W/DOUBLE CHECK,ABS	
5	0009914	2	ELBOW,90 DEG,MALE1869X6-Z,.25MPT X .38T"	
6	0014460	2	MODULATOR,ABS,AIR BRAKE,BENDIX M-30	
7	0663427	1	PLUG,PIPE,1/2 SQ HD,3151 X 8Z,BRASS	
8	3772159	1	PLUG,PIPE,0.375,BRASS W/SEALANT,HEX HD	
9	1142595	4	CAPSCREW,HEX HD,5/16-18,X,3,,GR8,YELDICH	
10	0043782	1	BRACKET,MTG,ECU & MODULATORS,ABS	
11	0770883	4	HOSE ASSY,BRAKE,7/16 X 20 IN LONG	
12	0009907	3	ELBOW,90 DEG,MALE1869X8X8-Z,.50MPT	
13	2001048	4	WASHER,FLAT,11/32 X 11/16 X 1/16,YEL	
14	0829390	8	NUT,HEX HD,5/16-18,SER WASHER,YEL ZN	
15	0854414	2	CAPSCREW,HEX HD,5/16-18X7/8,GR8,YEL ZN	
16	0009913	1	ELBOW,90 DEG,MALE1869X4X6-Z,.38MPT	
17	2008282	4	ELBOW,STREET,45 DEG,3350X6Z,BRASS	
18	2023539	2	BUSHING,PIPE,1/2MPT X 3/8FPT,3220X8X6Z,	
19	1346865		TUBING,PLASTIC,1/2 OD,BLACK,SAE J844 TYPE	
20	0654962		TUBING,PLASTIC,1/4 OD,BLACK,SAE J844 TYPE	
21	0046009	1	ECU,ABS,BENDIX,EC-30	
22	1672153	4	CAPSCREW,HEX HD 1/4-20 X 1 3/4,GR5,YEL	
23	1339639	4	NUT,HEX HD,1/4-20,PRVLG TORQUE,FLG,YEL	

Models: A3FE, C1FE, C3FE, CSFE, TCFE
VALVE ASSY
SPRING & SERVICE BRAKE
4 CHANNEL, ABS
With: FEATURE 40070
BSN: From CSN 30105845 (04/01/02)

Key	PartNumber	Qty	Description	Comment
24	2027241	1	ELBOW,STREET,90 DEG,3/8MPT X	
25	0009921	1	CONNECTOR,MALE,1868X8-Z,.38MPT X .50T"	

Models: A3FE, C3FE
VALVE ASSY
SPRING & SERVICE BRAKE
EC60
With: FEATURE 40070
BSN: From CSN 0198635 (5/02/05)
 To 6/10/07

Key	PartNumber	Qty	Description	Comment
-----	------------	-----	-------------	---------



Models: A3FE, C3FE
VALVE ASSY
SPRING & SERVICE BRAKE
EC60
With: FEATURE 40070
BSN: From CSN 0198635 (5/02/05)
To 6/10/07

Key	PartNumber	Qty	Description	Comment
1	1220128		VALVE,SPRING BRAKE,RELAY,QR-1C	
2	0009912	2	ELBOW,90 DEG,MALE1869X4X4-Z,.25MPT	
3	0009906		ELBOW,90 DEG,MALE1869X8-Z,.38MPT X .50T	
4	1995851		VALVE,RELAY,R12 W/DOUBLE CHECK,ABS	
5	0009914	2	ELBOW,90 DEG,MALE1869X6-Z,.25MPT X .38T"	
6	0060035	2	MODULATOR,ABS,AIR BRAKE,M32QR	
7	0663427		PLUG,PIPE,1/2 SQ HD,3151 X 8Z,BRASS	
8	3772159		PLUG,PIPE,0.375,BRASS W/SEALANT,HEX HD	
9	1142595	4	CAPSCREW,HEX HD,5/16-18,X,3,,GR8,YELDICH	
10	0084945		BRACKET,MOUNTING,ECU,AIR BRAKES,ABS, FE	
11	0770883	4	HOSE ASSY,BRAKE,7/16 X 20 IN LONG	
12	0009907	3	ELBOW,90 DEG,MALE1869X8X8-Z,.50MPT	
13	2001048	4	WASHER,FLAT,11/32 X 11/16 X 1/16,YEL	
14	0829390	8	NUT,HEX HD,5/16-18,SER WASHER,YEL ZN	
15	0854414	2	CAPSCREW,HEX HD,5/16-18X7/8,GR8,YEL ZN	
16	0009913		ELBOW,90 DEG,MALE1869X4X6-Z,.38MPT	
17	2008282	4	ELBOW,STREET,45 DEG,3350X6Z,BRASS	
18	2023539	2	BUSHING,PIPE,1/2MPT X 3/8FPT,3220X8X6Z,	
19	1346865	AR	TUBING,PLASTIC,1/2 OD,BLACK,SAE J844 TYPE	
20	0654962		TUBING,PLASTIC,1/4 OD,BLACK,SAE J844 TYPE	
21	0084931		ELECTRONIC CTRL UNIT,ABS,BENDIX,EC-60	
22	0085457	3	SCREW,MACH,12-24X1-1/2,PH1,PAN HD,YELZN	
23	0003837	3	NUT,HEX HD,12-24,LK,NYLON INSERT,YEL ZN	

Models: A3FE, C3FE
VALVE ASSY
SPRING & SERVICE BRAKE
EC60
With: FEATURE 40070
BSN: From CSN 0198635 (5/02/05)
To 6/10/07

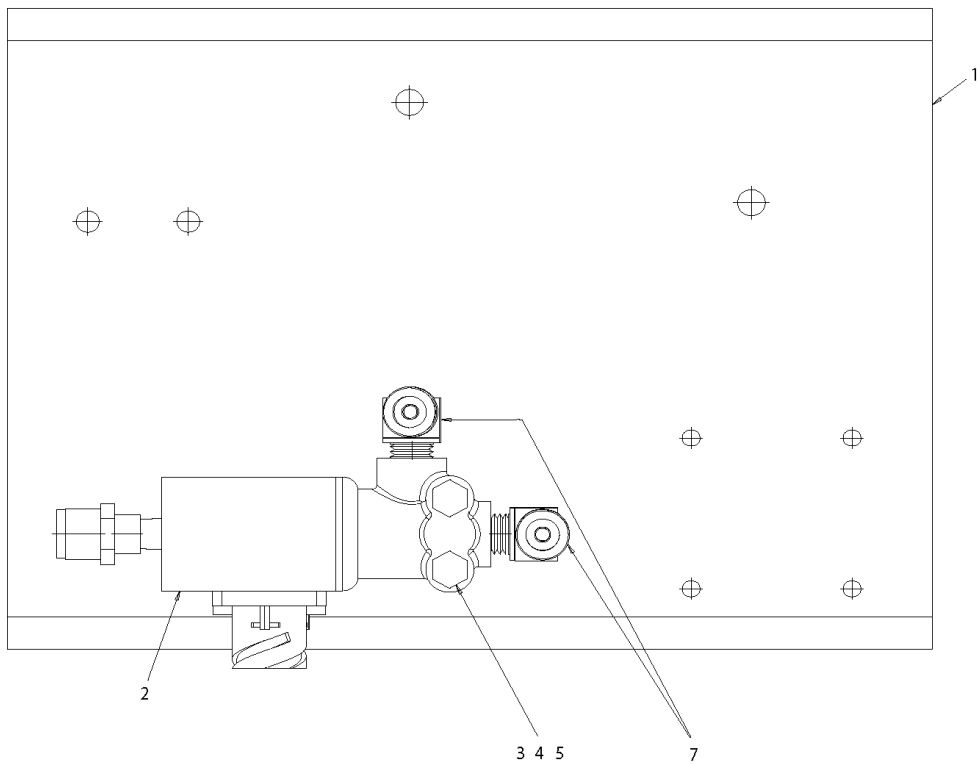
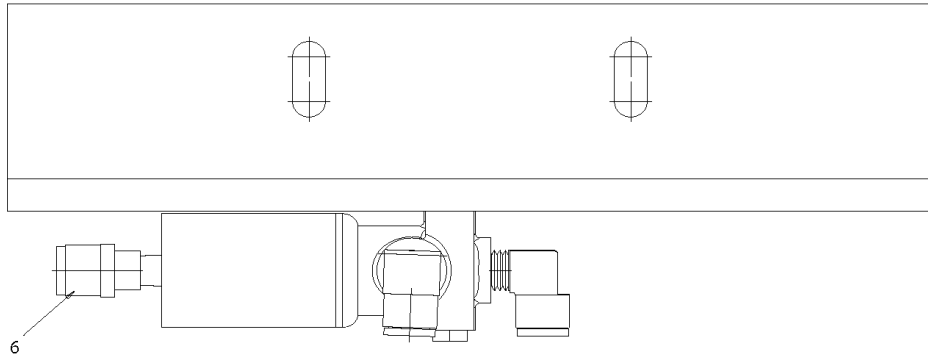
Key	PartNumber	Qty	Description	Comment
24	2027241		ELBOW,STREET,90 DEG,3/8MPT X	
25	0009921		CONNECTOR,MALE,1868X8-Z,.38MPT X .50T"	

Models: A3FE, C3FE, CSFE, TCFE, C1FE
VALVE ASSY
SPRING & SERVICE BRAKE
RELAY
With: FEATURE 40280-05
BSN: From CSN 30039475 (8/30/99)
To 6/10/07

Key	PartNumber	Qty	Description	Comment
1	1220128		VALVE,SPRING BRAKE,RELAY,QR-1C	
2	0009912	3	ELBOW,90 DEG,MALE1869X4X4-Z,.25MPT	
3	2008282	3	ELBOW,STREET,45 DEG,3350X6Z,BRASS	
4	1066679		VALVE,SERVICE BRK RELAY,R12,W/LH SUP	
5	0009914		ELBOW,90 DEG,MALE1869X6-Z,.25MPT X .38T"	
6	0009920		CONNECTOR,MALE,1868X8X8-Z,.50MPT X .50T"	
7	0663427		PLUG,PIPE,1/2 SQ HD,3151 X 8Z,BRASS	
8	2023539	3	BUSHING,PIPE,1/2MPT X 3/8FPT,3220X8X6Z,	
9	2027159	2	BUSHING,PIPE,1/2 X 1/4,BRASS	
10	1546829		BRACKET,MTG,RELAY VALVE/BKG HORN,TC	
11	0770883	2	HOSE ASSY,BRAKE,7/16 X 20 IN LONG	
12	0770909	2	HOSE ASSY,BRAKE,7/16 X 23 IN LONG	
13	0829390	6	NUT,HEX HD,5/16-18,SER WASHER,YEL ZN	
14	0854414	4	CAPSCREW,HEX HD,5/16-18X7/8,GR8,YEL ZN	
15	0654962	AR	TUBING,PLASTIC,1/4 OD,BLACK,SAE J844 TYPE	
NI	0557710	4	CLAMP,LOOP,.812	
16	0654350		TEE,1/2 PIPE,STREET	
17	0009922		CONNECTOR,MALE,1868X4X4-Z,.25MPT X .25T"	

Models: A3FE, C3FE
VALVE ASSY
TRACTION CONTROL
SPRING SUSPENSION
With: FEATURE 40453-01 WITH SPRING SUSPENSION
BSN: From CSN 0232665 (04/05/06)

Key	PartNumber	Qty	Description	Comment
-----	------------	-----	-------------	---------

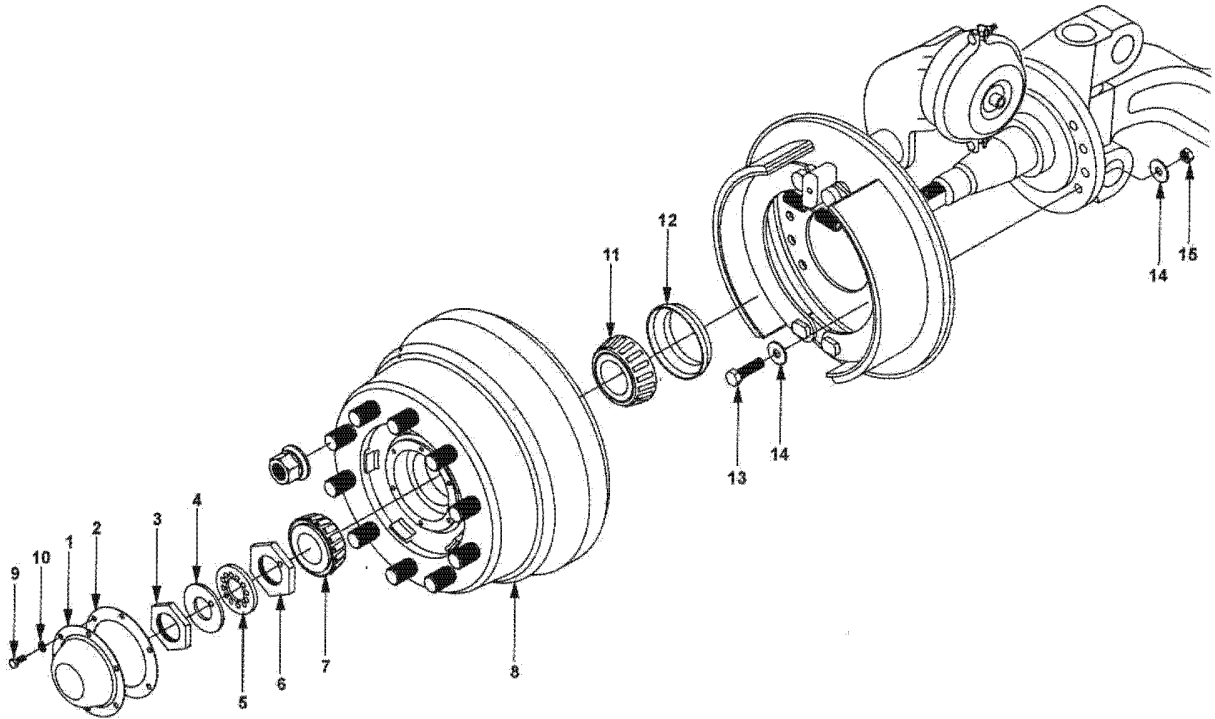


Models: A3FE, C3FE
VALVE ASSY
TRACTION CONTROL
SPRING SUSPENSION
With: FEATURE 40453-01 WITH SPRING SUSPENSION
BSN: From CSN 0232665 (04/05/06)

Key	PartNumber	Qty	Description	Comment
1	0102446	1	BRACKET,MOUNTINNG,BRK INTERLOCK WITH	
2	0102339	1	VALVE,SOLENOID,TRACTION CONTROL,AIR	
3	1246651	2	CAPSCREW,HEX HD,1/4-20X2 3/4,GR5,YEL	
4	1247709	2	WASHER,FLAT,17/64 ID X,5/8,YEL ZN DICH	
5	2001345	2	NUT,HEX HD,1/4-20,LOCKING,YELLOW	
6	0071528	1		
7	0009914	2	ELBOW,90 DEG,MALE1869X6-Z,.25MPT X .38T"	

Models: A3FE, A3RE, C3FE, CSFE, CSRE, QBRE, TCFE
WHEEL END COMPONENTS
FRONT, DRUM BRAKES, HUB PILOTED
5 INCH
ALUMN WHEELS
BSN: From CSN 30096776 FE, 10096696 RE (11/05/01)

Key	PartNumber	Qty	Description	Comment
-----	------------	-----	-------------	---------

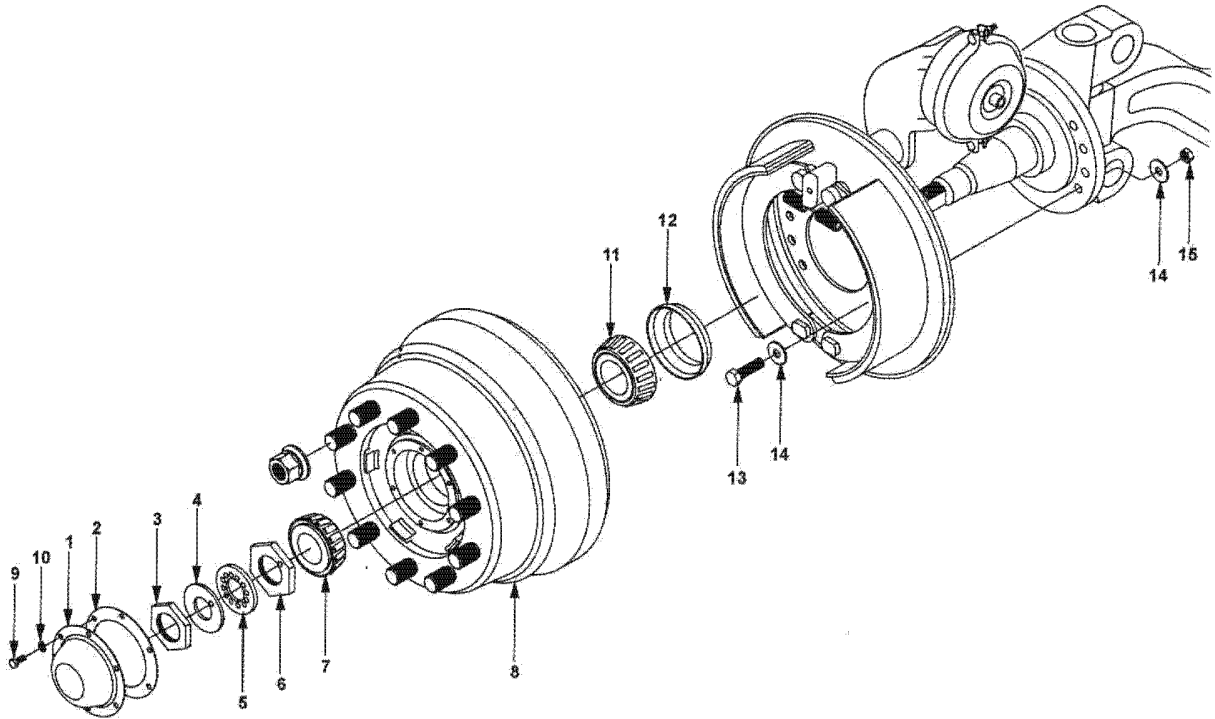


Models: A3FE, A3RE, C3FE, CSFE, CSRE, QBRE, TCFE
WHEEL END COMPONENTS
FRONT, DRUM BRAKES, HUB PILOTED
5 INCH
ALUMN WHEELS
BSN: From CSN 30096776 FE, 10096696 RE (11/05/01)

Key	PartNumber	Qty	Description	Comment
1	0929448	2	HUBCAP,FRONT,ROCKWELL	
2	2602449	2	GASKET,FRONT HUBCAP,RKWL	
NI	0048519	2	KIT,4 PIECE WHEEL END,MERITOR	
3			KIT, NUT, SPINDLE	
4			KIT, WASHER, SPINDLE	
5			KIT, WASHER, FLAT	
6			KIT, NUT, HEX HD	
7	0929414	2	BEARING,OUTER,FRONT AXLE	
8	0044665	2	HUB & DRUM(NOT SERVICED AS AN ASSY)	
NI	0044631	1	HUB & CUP ASSY,DAYTON 515954,ALUMN WHLS	
NI	2593093	1	CUP,WHEEL BEARING,INNER	
NI	2600179	1	CUP,OUTER WHEEL BEARING	
NI	0044639	10	STUD,SERRATED,M22 X 1.5-6G	
NI	0044651	10	CAPNUT,FLANGED,M22,MERITOR	
NI	0043875	1	DRUM,BRAKE,5",DAYTON"	
9	2593408	12	BOLT,ROTOR TO DRUM	
10	2600419	12	WASHER,ROTOR SLINGER	
11	0929406	2	BEARING,INNER,FRONT AXLE,TIMKEN	
12	0043367	2	SEAL ASSY,OIL	
13	0043378	16	CAPSCREW	
14	0929018	32	WASHER,FLAT,21/32 X 1 1/8 X 3/32,HDN,YEL	
15	2596591	16	NUT	

Models: A3FE, A3RE, C3FE, CSFE, CSRE, QBRE, TCFE
WHEEL END COMPONENTS
FRONT, DRUM BRAKES, HUB PILOTED
5 INCH
STEEL WHEELS
BSN: From CSN 30096776 FE, 10096696 RE (11/05/01)

Key	PartNumber	Qty	Description	Comment
-----	------------	-----	-------------	---------

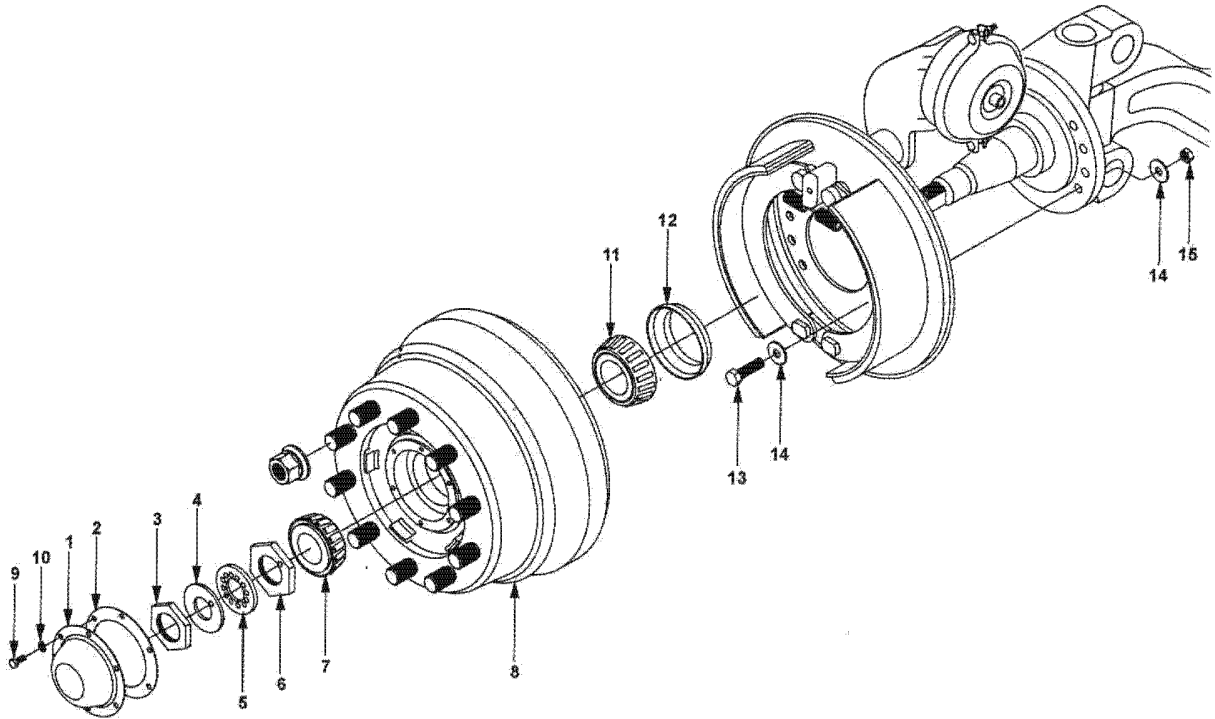


Models: A3FE, A3RE, C3FE, CSFE, CSRE, QBRE, TCFE
WHEEL END COMPONENTS
FRONT, DRUM BRAKES, HUB PILOTED
5 INCH
STEEL WHEELS
BSN: From CSN 30096776 FE, 10096696 RE (11/05/01)

Key	PartNumber	Qty	Description	Comment
1	0929448	2	HUBCAP,FRONT,ROCKWELL	
2	2602449	2	GASKET,FRONT HUBCAP,RKWL	
NI	0048519	2	KIT,4 PIECE WHEEL END,MERITOR	
3			KIT, NUT, SPINDLE	
4			KIT, WASHER, SPINDLE	
5			KIT, WASHER, FLAT	
6			KIT, NUT, HEX HD	
7	0929414	2	BEARING,OUTER,FRONT AXLE	
8	0043888	2	HUB AND DRUM ASSY,STEER,5IN AIR,STL	
NI	0044630	1	HUB & CUP ASSY,DAYTON 515954,STL WHLS	
NI	2593093	1	CUP,WHEEL BEARING,INNER	
NI	2600179	1	CUP,OUTER WHEEL BEARING	
NI	0044637	10	STUD,SERRATED,M22 X 1.5-6G	
NI	0044651	10	CAPNUT,FLANGED,M22,MERITOR	
NI	0043875	1	DRUM,BRAKE,5",DAYTON"	
9	2593408	12	BOLT,ROTOR TO DRUM	
10	2600419	12	WASHER,ROTOR SLINGER	
11	0929406	2	BEARING,INNER,FRONT AXLE,TIMKEN	
12	0043367	2	SEAL ASSY,OIL	
13	0043378	16	CAPSCREW	
14	0929018	32	WASHER,FLAT,21/32 X 1 1/8 X 3/32,HDN,YEL	
15	2596591	16	NUT	

Models: A3FE, A3RE, C3FE, C4RE, CSFE, CSRE, QBRE, TCFE
WHEEL END COMPONENTS
FRONT, DRUM BRAKES, HUB PILOTED
6 INCH
ALUMN WHEELS
BSN: From CSN 30096776 FE 10096696 RE (11/05/01)

Key	PartNumber	Qty	Description	Comment
-----	------------	-----	-------------	---------

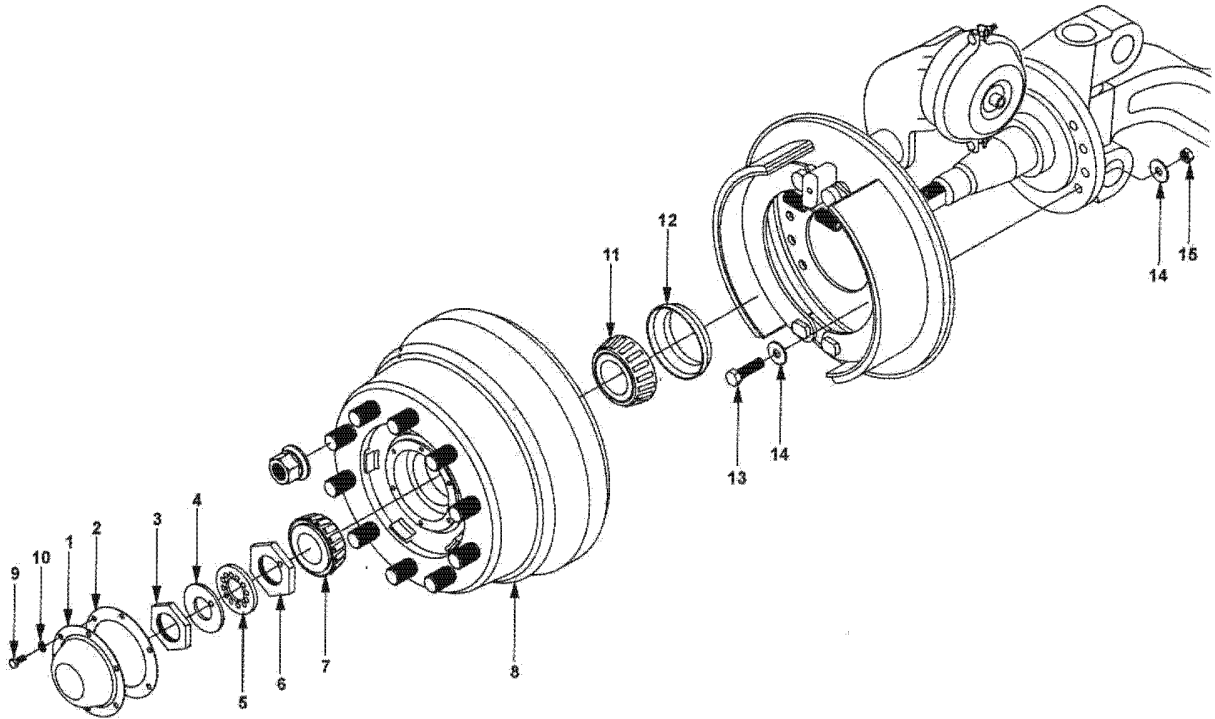


Models: A3FE, A3RE, C3FE, C4RE, CSFE, CSRE, QBRE, TCFE
WHEEL END COMPONENTS
FRONT, DRUM BRAKES, HUB PILOTED
6 INCH
ALUMN WHEELS
BSN: From CSN 30096776 FE 10096696 RE (11/05/01)

Key	PartNumber	Qty	Description	Comment
1	0929448	2	HUBCAP,FRONT,ROCKWELL	
2	2602449	2	GASKET,FRONT HUBCAP,RKWL	
NI	0048519	2	KIT,4 PIECE WHEEL END,MERITOR	
3			KIT, NUT, SPINDLE	
4			KIT, WASHER, SPINDLE	
5			KIT, WASHER, FLAT	
6			KIT, NUT, HEX HD	
7	0929414	2	BEARING,OUTER,FRONT AXLE	
8	0044664	2	HUB AND DRUM ASSY,STEER,6IN AIR,ALUM	
NI	0044631	1	HUB & CUP ASSY,DAYTON 515954,ALUMN WHLS	
NI	2593093	1	CUP,WHEEL BEARING,INNER	
NI	2600179	1	CUP,OUTER WHEEL BEARING	
NI	0044639	10	STUD,SERRATED,M22 X 1.5-6G	
NI	0044651	10	CAPNUT,FLANGED,M22,MERITOR	
NI	0043874	1	DRUM,BRAKE,6",DAYTON	
9	2593408	12	BOLT,ROTOR TO DRUM	
10	2600419	12	WASHER,ROTOR SLINGER	
11	0929406	2	BEARING,INNER,FRONT AXLE,TIMKEN	
12	0043367	2	SEAL ASSY,OIL	
13	0043378	16	CAPSCREW	
14	0929018	32	WASHER,FLAT,21/32 X 1 1/8 X 3/32,HDN,YEL	
15	2596591	16	NUT	

Models: A3FE, A3RE, C3FE, C4RE, CSFE, CSRE, QBRE, TCFE
WHEEL END COMPONENTS
FRONT, DRUM BRAKES, HUB PILOTED
6 INCH
STEEL WHEELS
BSN: From CSN 30096776 FE 10096696 RE (11/05/01)

Key	PartNumber	Qty	Description	Comment
-----	------------	-----	-------------	---------

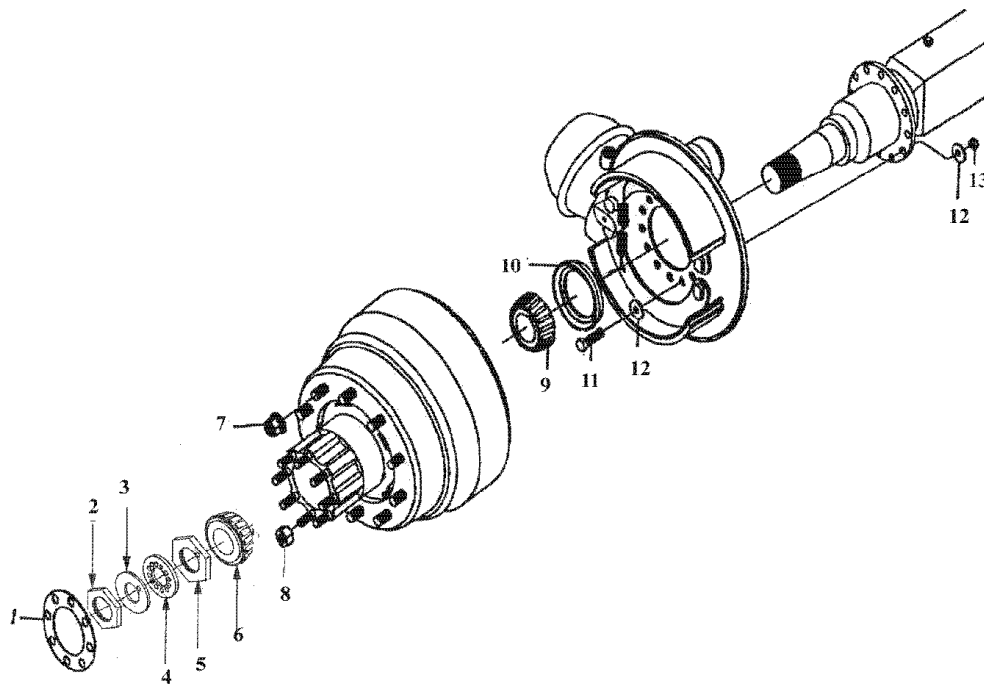


Models: A3FE, A3RE, C3FE, C4RE, CSFE, CSRE, QBRE, TCFE
WHEEL END COMPONENTS
FRONT, DRUM BRAKES, HUB PILOTED
6 INCH
STEEL WHEELS
BSN: From CSN 30096776 FE 10096696 RE (11/05/01)

Key	PartNumber	Qty	Description	Comment
1	0929448	2	HUBCAP,FRONT,ROCKWELL	
2	2602449	2	GASKET,FRONT HUBCAP,RKWL	
NI	0048519	2	KIT,4 PIECE WHEEL END,MERITOR	
3			KIT, NUT, SPINDLE	
4			KIT, WASHER, SPINDLE	
5			KIT, WASHER, FLAT	
6			KIT, NUT, HEX HD	
7	0929414	2	BEARING,OUTER,FRONT AXLE	
8	0043886	2	HUB AND DRUM ASSY,STEER,6IN AIR,STL	
NI	0044630	1	HUB & CUP ASSY,DAYTON 515954,STL WHLS	
NI	2593093	1	CUP,WHEEL BEARING,INNER	
NI	2600179	1	CUP,OUTER WHEEL BEARING	
NI	0044637	10	STUD,SERRATED,M22 X 1.5-6G	
NI	0044651	10	CAPNUT,FLANGED,M22,MERITOR	
NI	0043874	1	DRUM,BRAKE,6",DAYTON	
9	2593408	12	BOLT,ROTOR TO DRUM	
10	2600419	12	WASHER,ROTOR SLINGER	
11	0929406	2	BEARING,INNER,FRONT AXLE,TIMKEN	
12	0043367	2	SEAL ASSY,OIL	
13	0043378	16	CAPSCREW	
14	0929018	32	WASHER,FLAT,21/32 X 1 1/8 X 3/32,HDN,YEL	
15	2596591	16	NUT	

Models: A3FE, A3RE, C3FE, CSFE, CSRE, QBRE, TCFE
WHEEL END COMPONENTS
REAR, DRUM BRAKES, HUB PILOTED
MERITOR
7 INCH ALUMN WHEELS/DAYTON
BSN: From CSN 30096776 FE 10096696 RE 11/05/01

Key	PartNumber	Qty	Description	Comment
-----	------------	-----	-------------	---------

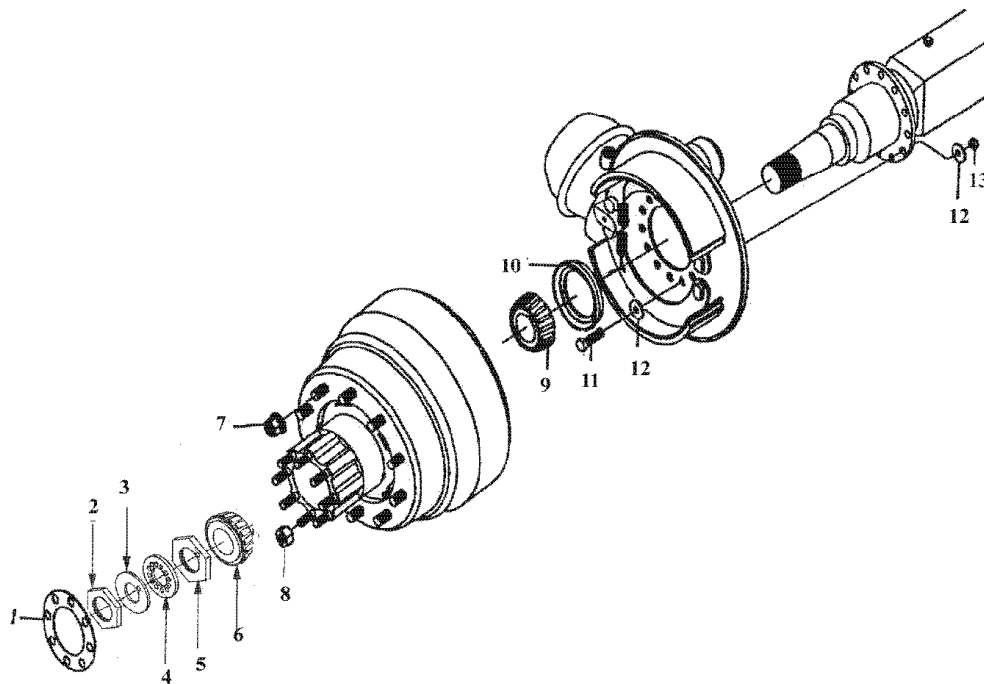


Models: A3FE, A3RE, C3FE, CSFE, CSRE, QBRE, TCFE
WHEEL END COMPONENTS
REAR, DRUM BRAKES, HUB PILOTED
MERITOR
7 INCH ALUMN WHEELS/DAYTON
BSN: From CSN 30096776 FE 10096696 RE 11/05/01

Key	PartNumber	Qty	Description	Comment
1	0043449	2	GASKET	
2	2598613	2	NUT,WHEEL,BEARING,JAM,REAR AXLE	
3	0048533	2	WASHER,LOCK,SPINDLE	
4	2647238	2	LOCKWASHER,WHEEL BEARING NUT	
5	0043475	2	NUT,WHEEL,BEARING,ADJUSTING,REAR AXLE	
6	0929059	2	BEARING,OUTER,AXLE SHAFT,ROCKWELL &	
7	0044658	2	HUB & DRUM ASSY(NOT SERVICED AS AN	<i>INCLUDES THE FOLLOWING ITEMS</i>
NI	0044626	1	HUB & CUP ASSY,DAYTON 415675,ALUMN WHLS	<i>INCLUDES CUPS AND STUDS</i>
NI	2621779	1	CUP,WHEEL BEARING,REAR INNER,R-155,592A	
NI	2621571	1	CUP,OUTER WHEEL BEARING	
NI	0044642	8	STUD,DRIVE,5/8	
NI	0044638	10	STUD,SERRATED,M22 X 1.5-6G	
NI	0044651	10	CAPNUT,FLANGED,M22,MERITOR	
NI	0043877	1	DRUM,BRAKE,7",DAYTON	
8	2594893	16	NUT,AXLE SHAFT	
NI	2603512	16	WASHER,AXLE SHAFT	
NI	0929091	16	DOWEL,AXLE SHAFT	
9	0929042	2	BEARING,INNER,REAR AXLE	
10	0043448	2	SEAL ASSY,OIL,INNER	
11	0928994	16	CAPSCREW,HEX HD,5/8-18 X 2,GR 8,YEL ZN	
12	0929018	32	WASHER,FLAT,21/32 X 1 1/8 X 3/32,HDN,YEL	
13	0929000	16	NUT,HEX HD,5/8-18,LOCKING,GR 8,CADMIUM	

Models: A3FE, A3RE, C3FE, CSFE, CSRE, QBRE, TCFE
WHEEL END COMPONENTS
REAR, DRUM BRAKES, HUB PILOTED
MERITOR
7 INCH ALUMN WHEELS/WEBB
BSN: From CSN 30096776 FE 10096696 RE 11/05/01

Key	PartNumber	Qty	Description	Comment
-----	------------	-----	-------------	---------

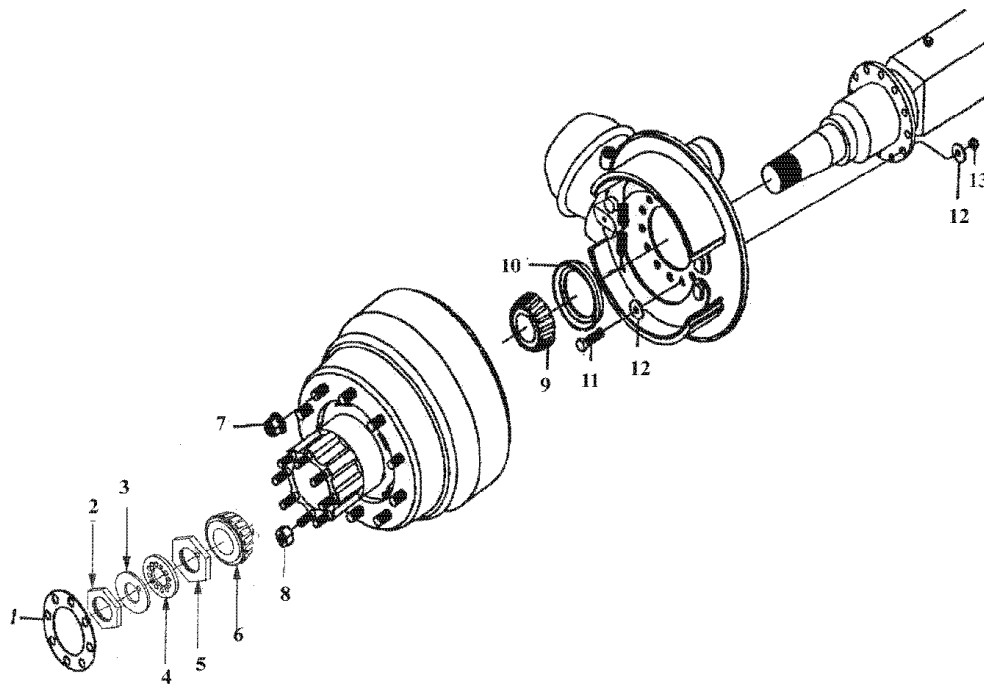


Models: A3FE, A3RE, C3FE, CSFE, CSRE, QBRE, TCFE
WHEEL END COMPONENTS
REAR, DRUM BRAKES, HUB PILOTED
MERITOR
7 INCH ALUMN WHEELS/WEBB
BSN: From CSN 30096776 FE 10096696 RE 11/05/01

Key	PartNumber	Qty	Description	Comment
1	0043449	2	GASKET	
2	2598613	2	NUT,WHEEL,BEARING,JAM,REAR AXLE	
3	0048533	2	WASHER,LOCK,SPINDLE	
4	2647238	2	LOCKWASHER,WHEEL BEARING NUT	
5	0043475	2	NUT,WHEEL,BEARING,ADJUSTING,REAR AXLE	
6	0929059	2	BEARING,OUTER,AXLE SHAFT,ROCKWELL &	
7	0044849	2	HUB & DRUM ASSY(NOT SERVICED AS AN	<i>INCLUDES THE FOLLOWING ITEMS</i>
NI	0044827	1	HUB & CUP ASSY,2643 SERIES,DUAL WHLS"	<i>INCLUDES CUPS AND STUDS</i>
NI	2621779	1	CUP,WHEEL BEARING,REAR INNER,R-155,592A	
NI	2621571	1	CUP,OUTER WHEEL BEARING	
NI	2138584	8	STUD,DRIVE,5/8-18	
NI	0026318	10	STUD,SERRATED,22M	
NI	4317079	10	FLANGE,CAPNUT,22MM"	
NI	0028036	1	DRUM,BRAKE,16.5 X 7.00,WEBB 66864B	
8	2594893	16	NUT,AXLE SHAFT	
NI	2603512	16	WASHER,AXLE SHAFT	
NI	0929091	16	DOWEL,AXLE SHAFT	
9	0929042	2	BEARING,INNER,REAR AXLE	
10	0043448	2	SEAL ASSY,OIL,INNER	
11	0928994	16	CAPSCREW,HEX HD,5/8-18 X 2,GR 8,YEL ZN	
12	0929018	32	WASHER,FLAT,21/32 X 1 1/8 X 3/32,HDN,YEL	
13	0929000	16	NUT,HEX HD,5/8-18,LOCKING,GR 8,CADMIUM	

Models: A3FE, A3RE, C3FE, CSFE, CSRE, QBRE, TCFE
WHEEL END COMPONENTS
REAR, DRUM BRAKES, HUB PILOTED
MERITOR
7 INCH STEEL WHEELS/DAYTON
BSN: From CSN 30096776 FE 10096696 RE 11/05/01

Key	PartNumber	Qty	Description	Comment
-----	------------	-----	-------------	---------

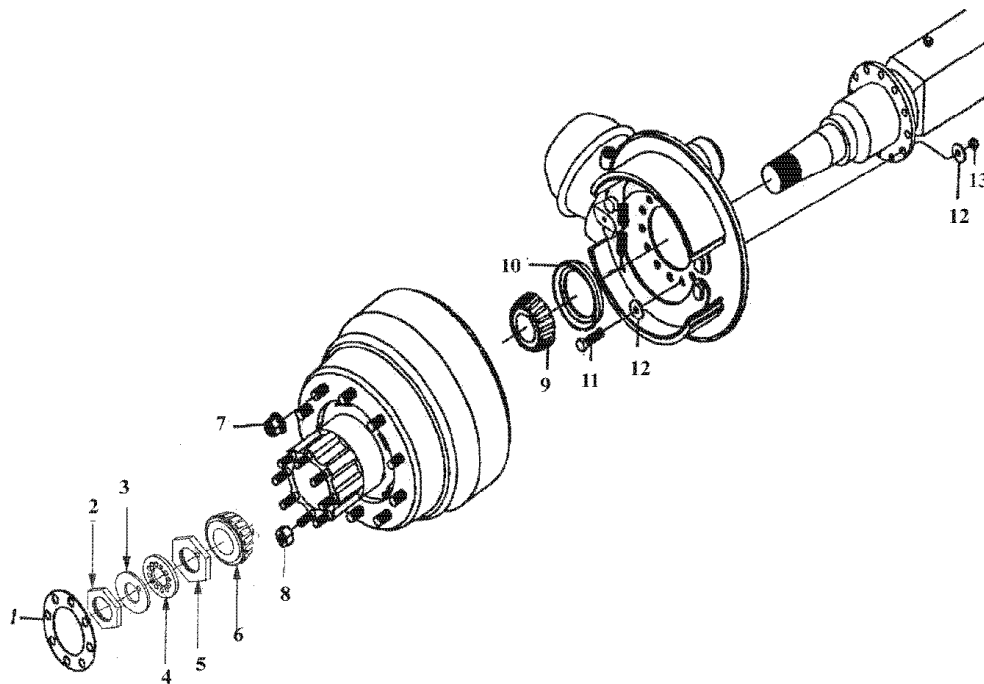


Models: A3FE, A3RE, C3FE, CSFE, CSRE, QBRE, TCFE
WHEEL END COMPONENTS
REAR, DRUM BRAKES, HUB PILOTED
MERITOR
7 INCH STEEL WHEELS/DAYTON
BSN: From CSN 30096776 FE 10096696 RE 11/05/01

Key	PartNumber	Qty	Description	Comment
1	0043449	2	GASKET	
2	2598613	2	NUT,WHEEL,BEARING,JAM,REAR AXLE	
3	0048533	2	WASHER,LOCK,SPINDLE	
4	2647238	2	LOCKWASHER,WHEEL BEARING NUT	
5	0043475	2	NUT,WHEEL,BEARING,ADJUSTING,REAR AXLE	
6	0929059	2	BEARING,OUTER,AXLE SHAFT,ROCKWELL &	
7	0044659	2	HUB & DRUM ASSY(NOT SERVICED AS AN	<i>INCLUDES THE FOLLOWING ITEMS</i>
NI	0044627	1	HUB & CUP ASSY,DAYTON 415675,STL WHLS	<i>INCLUDES CUPS AND STUDS</i>
NI	2621779	1	CUP,WHEEL BEARING,REAR INNER,R-155,592A	
NI	2621571	1	CUP,OUTER WHEEL BEARING	
NI	0044642	8	STUD,DRIVE,5/8	
NI	0044638	10	STUD,SERRATED,M22 X 1.5-6G	
NI	0044651	10	CAPNUT,FLANGED,M22,MERITOR	
NI	0043877	1	DRUM,BRAKE,7",DAYTON	
8	2594893	16	NUT,AXLE SHAFT	
NI	2603512	16	WASHER,AXLE SHAFT	
NI	0929091	16	DOWEL,AXLE SHAFT	
9	0929042	2	BEARING,INNER,REAR AXLE	
10	0043448	2	SEAL ASSY,OIL,INNER	
11	0928994	16	CAPSCREW,HEX HD,5/8-18 X 2,GR 8,YEL ZN	
12	0929018	32	WASHER,FLAT,21/32 X 1 1/8 X 3/32,HDN,YEL	
13	0929000	16	NUT,HEX HD,5/8-18,LOCKING,GR 8,CADMIUM	

Models: A3FE, A3RE, C3FE, CSFE, CSRE, QBRE, TCFE
WHEEL END COMPONENTS
REAR, DRUM BRAKES, HUB PILOTED
MERITOR
7 INCH STEEL WHEELS/WEBB
BSN: From CSN 30096776 FE 10096696 RE 11/05/01

Key	PartNumber	Qty	Description	Comment
-----	------------	-----	-------------	---------

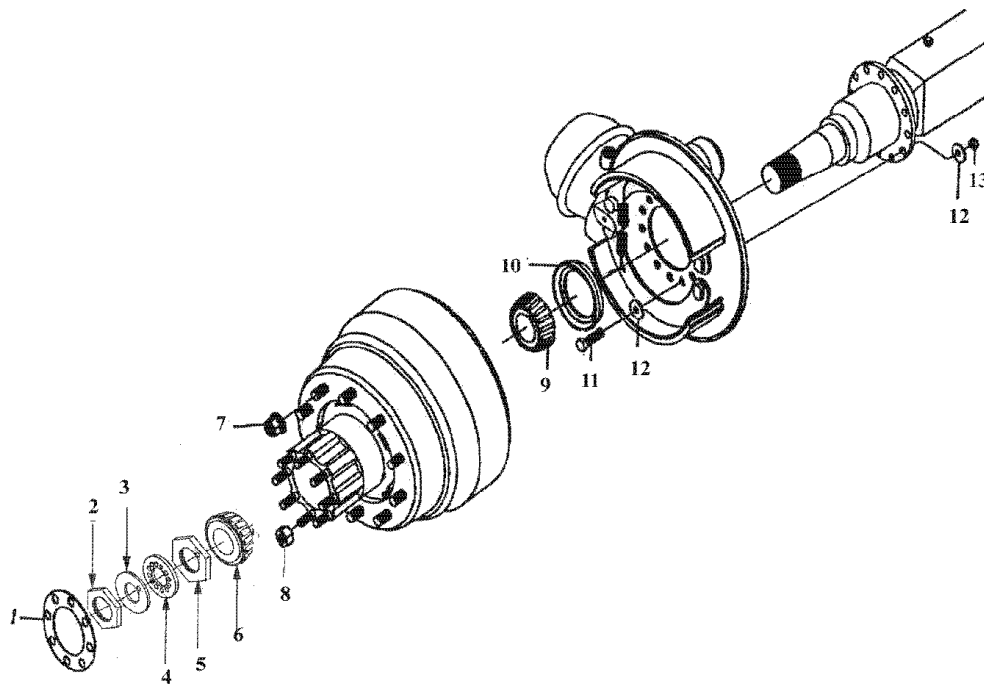


Models: A3FE, A3RE, C3FE, CSFE, CSRE, QBRE, TCFE
WHEEL END COMPONENTS
REAR, DRUM BRAKES, HUB PILOTED
MERITOR
7 INCH STEEL WHEELS/WEBB
BSN: From CSN 30096776 FE 10096696 RE 11/05/01

Key	PartNumber	Qty	Description	Comment
1	0043449	2	GASKET	
2	2598613	2	NUT,WHEEL,BEARING,JAM,REAR AXLE	
3	0048533	2	WASHER,LOCK,SPINDLE	
4	2647238	2	LOCKWASHER,WHEEL BEARING NUT	
5	0043475	2	NUT,WHEEL,BEARING,ADJUSTING,REAR AXLE	
6	0929059	2	BEARING,OUTER,AXLE SHAFT,ROCKWELL &	
7	0044848	2	HUB & DRUM ASSY(NOT SERVICED AS AN	<i>INCLUDES THE FOLLOWING ITEMS</i>
NI	0044826	1	HUB & CUP ASSY,2643 SERIES,STL WHLS	<i>INCLUDES CUPS AND STUDS</i>
NI	2621779	1	CUP,WHEEL BEARING,REAR INNER,R-155,592A	
NI	2621571	1	CUP,OUTER WHEEL BEARING	
NI	2138584	8	STUD,DRIVE,5/8-18	
NI	1714294	10	STUD,SERRATED,22 MM,RR,HUB PILTD	
NI	4317079	10	FLANGE,CAPNUT,22MM"	
NI	0028036	1	DRUM,BRAKE,16.5 X 7.00,WEBB 66864B	
8	2594893	16	NUT,AXLE SHAFT	
NI	2603512	16	WASHER,AXLE SHAFT	
NI	0929091	16	DOWEL,AXLE SHAFT	
9	0929042	2	BEARING,INNER,REAR AXLE	
10	0043448	2	SEAL ASSY,OIL,INNER	
11	0928994	16	CAPSCREW,HEX HD,5/8-18 X 2,GR 8,YEL ZN	
12	0929018	32	WASHER,FLAT,21/32 X 1 1/8 X 3/32,HDN,YEL	
13	0929000	16	NUT,HEX HD,5/8-18,LOCKING,GR 8,CADMIUM	

Models: A3FE, A3RE, C3FE, C4RE, CSFE, CSRE, QBRE, TCFE
WHEEL END COMPONENTS
REAR, DRUM BRAKES, HUB PILOTED
MERITOR
8.62 INCH ALUMN WHEELS/DAYTON
BSN: From CSN 30096776 FE 10096696 RE 11/05/01

Key	PartNumber	Qty	Description	Comment
-----	------------	-----	-------------	---------

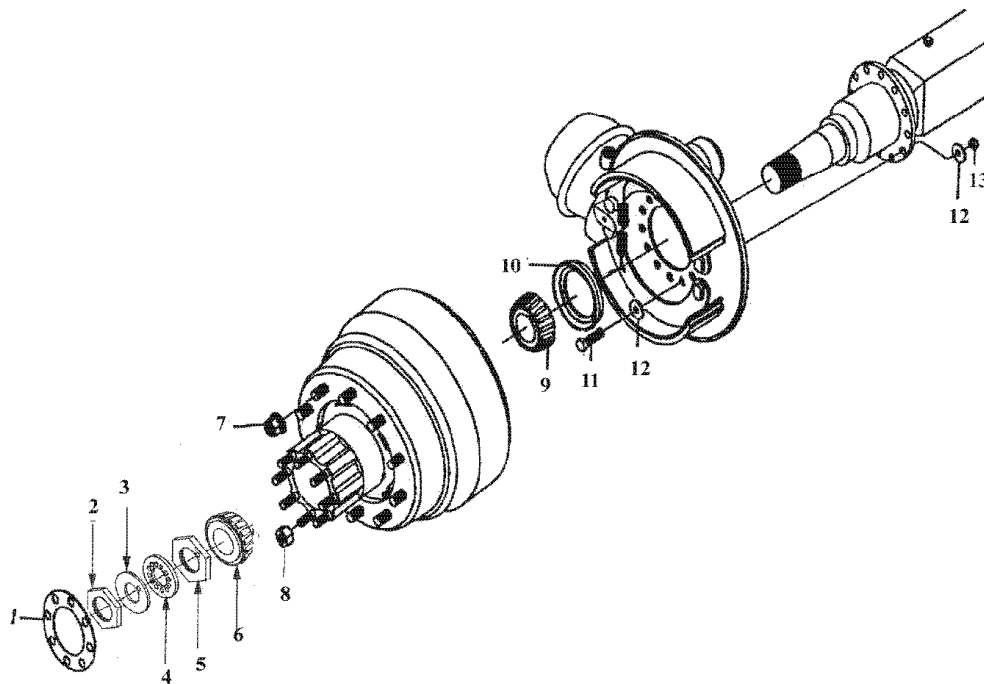


Models: A3FE, A3RE, C3FE, C4RE, CSFE, CSRE, QBRE, TCFE
WHEEL END COMPONENTS
REAR, DRUM BRAKES, HUB PILOTED
MERITOR
8.62 INCH ALUMN WHEELS/DAYTON
BSN: From CSN 30096776 FE 10096696 RE 11/05/01

Key	PartNumber	Qty	Description	Comment
1	0043449	2	GASKET	
2	2598613	2	NUT,WHEEL,BEARING,JAM,REAR AXLE	
3	0048533	2	WASHER,LOCK,SPINDLE	
4	2647238	2	LOCKWASHER,WHEEL BEARING NUT	
5	0043475	2	NUT,WHEEL,BEARING,ADJUSTING,REAR AXLE	
6	0929059	2	BEARING,OUTER,AXLE SHAFT,ROCKWELL &	
7	0044660	2	HUB & DRUM ASSY(NOT SERVICED AS AN	<i>INCLUDES THE FOLLOWING ITEMS</i>
NI	0044626	1	HUB & CUP ASSY,DAYTON 415675,ALUMN WHLS	<i>INCLUDES CUPS AND STUDS</i>
NI	2621779	1	CUP,WHEEL BEARING,REAR INNER,R-155,592A	
NI	2621571	1	CUP,OUTER WHEEL BEARING	
NI	0044642	8	STUD,DRIVE,5/8	
NI	0044638	10	STUD,SERRATED,M22 X 1.5-6G	
NI	0044651	10	CAPNUT,FLANGED,M22,MERITOR	
NI	0043876	1	DRUM,BRAKE,8.62",DAYTON	
8	2594893	16	NUT,AXLE SHAFT	
NI	2603512	16	WASHER,AXLE SHAFT	
NI	0929091	16	DOWEL,AXLE SHAFT	
9	0929042	2	BEARING,INNER,REAR AXLE	
10	0043448	2	SEAL ASSY,OIL,INNER	
11	0928994	16	CAPSCREW,HEX HD,5/8-18 X 2,GR 8,YEL ZN	
12	0929018	32	WASHER,FLAT,21/32 X 1 1/8 X 3/32,HDN,YEL	
13	0929000	16	NUT,HEX HD,5/8-18,LOCKING,GR 8,CADMIUM	

Models: A3FE, A3RE, C3FE, C4RE, CSFE, CSRE, QBRE, TCFE
WHEEL END COMPONENTS
REAR, DRUM BRAKES, HUB PILOTED
MERITOR
8.62 INCH ALUMN WHEELS/WEBB
BSN: From CSN 30096776 FE 10096696 RE 11/05/01

Key	PartNumber	Qty	Description	Comment
-----	------------	-----	-------------	---------

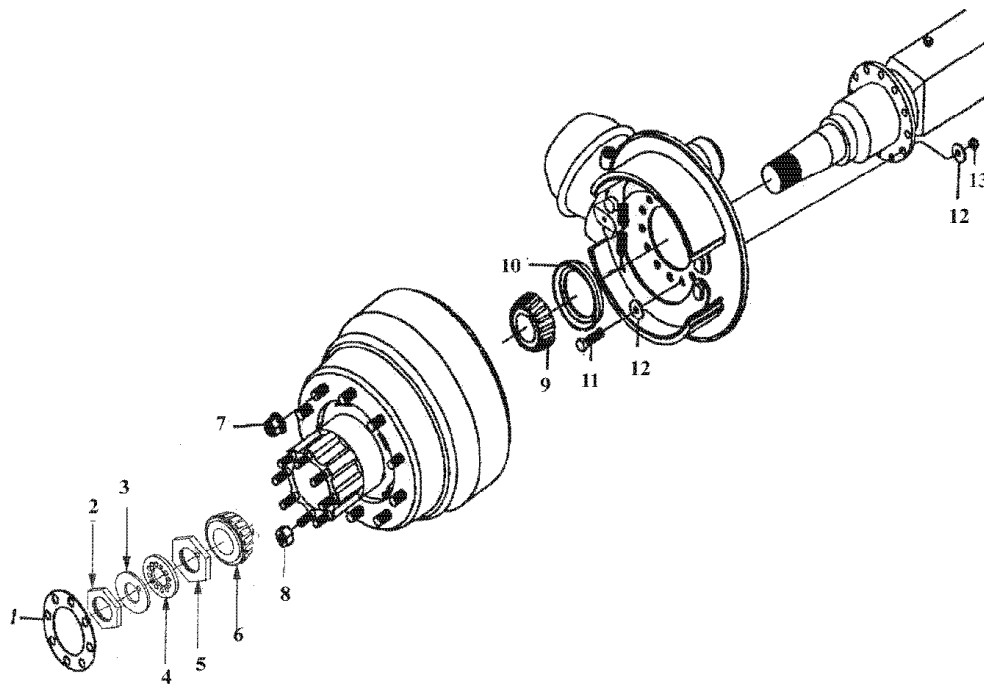


Models: A3FE, A3RE, C3FE, C4RE, CSFE, CSRE, QBRE, TCFE
WHEEL END COMPONENTS
REAR, DRUM BRAKES, HUB PILOTED
MERITOR
8.62 INCH ALUMN WHEELS/WEBB
BSN: From CSN 30096776 FE 10096696 RE 11/05/01

Key	PartNumber	Qty	Description	Comment
1	0043449	2	GASKET	
2	2598613	2	NUT,WHEEL,BEARING,JAM,REAR AXLE	
3	0048533	2	WASHER,LOCK,SPINDLE	
4	2647238	2	LOCKWASHER,WHEEL BEARING NUT	
5	0043475	2	NUT,WHEEL,BEARING,ADJUSTING,REAR AXLE	
6	0929059	2	BEARING,OUTER,AXLE SHAFT,ROCKWELL &	
7	0048518	2	HUB & DRUM ASSY,8.62,DUAL ALUMN	<i>INCLUDES THE FOLLOWING ITEMS</i>
NI	0044827	1	HUB & CUP ASSY,2643 SERIES,DUAL WHLS"	<i>INCLUDES CUPS AND STUDS</i>
NI	2621779	1	CUP,WHEEL BEARING,REAR INNER,R-155,592A	
NI	2621571	1	CUP,OUTER WHEEL BEARING	
NI	2138584	8	STUD,DRIVE,5/8-18	
NI	0026318	10	STUD,SERRATED,22M	
NI	4317079	10	FLANGE,CAPNUT,22MM"	
NI	0043878	1	DRUM,BRAKE	
8	2594893	16	NUT,AXLE SHAFT	
NI	2603512	16	WASHER,AXLE SHAFT	
NI	0929091	16	DOWEL,AXLE SHAFT	
9	0929042	2	BEARING,INNER,REAR AXLE	
10	0043448	2	SEAL ASSY,OIL,INNER	
11	0928994	16	CAPSCREW,HEX HD,5/8-18 X 2,GR 8,YEL ZN	
12	0929018	32	WASHER,FLAT,21/32 X 1 1/8 X 3/32,HDN,YEL	
13	0929000	16	NUT,HEX HD,5/8-18,LOCKING,GR 8,CADMIUM	

Models: A3FE, A3RE, C3FE, C4RE, CSFE, CSRE, QBRE, TCFE
WHEEL END COMPONENTS
REAR, DRUM BRAKES, HUB PILOTED
MERITOR
8.62 INCH STEEL WHEELS/DAYTON
BSN: From CSN 30096776 FE 10096696 RE 11/05/01

Key	PartNumber	Qty	Description	Comment
-----	------------	-----	-------------	---------

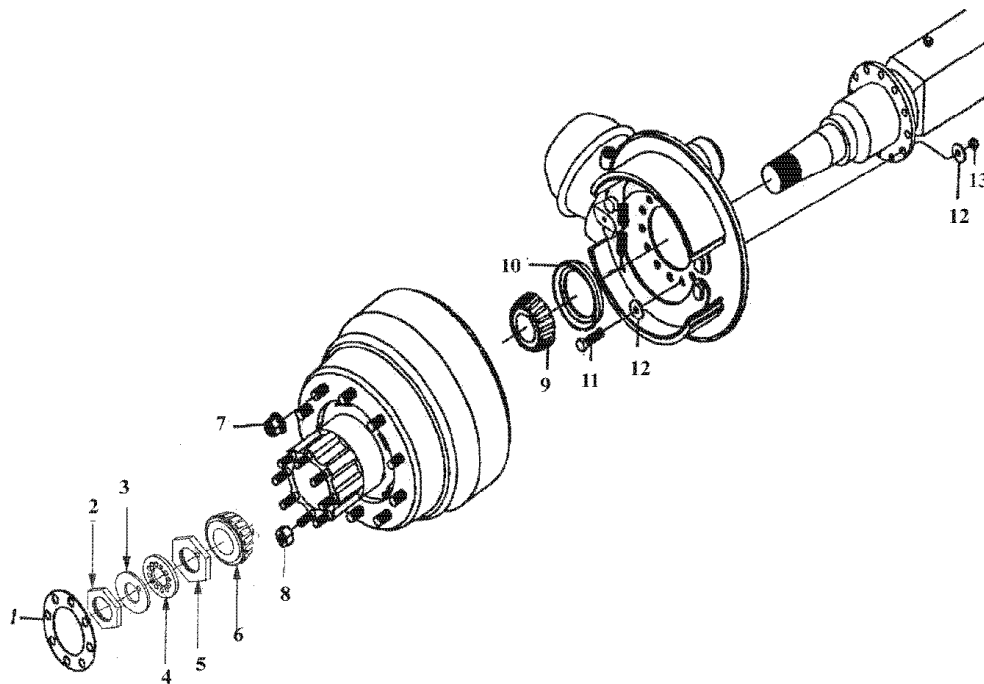


Models: A3FE, A3RE, C3FE, C4RE, CSFE, CSRE, QBRE, TCFE
WHEEL END COMPONENTS
REAR, DRUM BRAKES, HUB PILOTED
MERITOR
8.62 INCH STEEL WHEELS/DAYTON
BSN: From CSN 30096776 FE 10096696 RE 11/05/01

Key	PartNumber	Qty	Description	Comment
1	0043449	2	GASKET	
2	2598613	2	NUT,WHEEL,BEARING,JAM,REAR AXLE	
3	0048533	2	WASHER,LOCK,SPINDLE	
4	2647238	2	LOCKWASHER,WHEEL BEARING NUT	
5	0043475	2	NUT,WHEEL,BEARING,ADJUSTING,REAR AXLE	
6	0929059	2	BEARING,OUTER,AXLE SHAFT,ROCKWELL &	
7	0043887	2	HUB & DRUM ASSY(NOT SERVICED AS AN	<i>INCLUDES THE FOLLOWING ITEMS</i>
NI	0044627	1	HUB & CUP ASSY,DAYTON 415675,STL WHLS	<i>INCLUDES CUPS AND STUDS</i>
NI	2621779	1	CUP,WHEEL BEARING,REAR INNER,R-155,592A	
NI	2621571	1	CUP,OUTER WHEEL BEARING	
NI	0044642	8	STUD,DRIVE,5/8	
NI	0044639	10	STUD,SERRATED,M22 X 1.5-6G	
NI	0044651	10	CAPNUT,FLANGED,M22,MERITOR	
NI	0043876	1	DRUM,BRAKE,8.62",DAYTON	
8	2594893	16	NUT,AXLE SHAFT	
NI	2603512	16	WASHER,AXLE SHAFT	
NI	0929091	16	DOWEL,AXLE SHAFT	
9	0929042	2	BEARING,INNER,REAR AXLE	
10	0043448	2	SEAL ASSY,OIL,INNER	
11	0928994	16	CAPSCREW,HEX HD,5/8-18 X 2,GR 8,YEL ZN	
12	0929018	32	WASHER,FLAT,21/32 X 1 1/8 X 3/32,HDN,YEL	
13	0929000	16	NUT,HEX HD,5/8-18,LOCKING,GR 8,CADMIUM	

Models: A3FE, A3RE, C3FE, C4RE, CSFE, CSRE, QBRE, TCFE
WHEEL END COMPONENTS
REAR, DRUM BRAKES, HUB PILOTED
MERITOR
8.62 INCH STEEL WHEELS/WEBB
BSN: From CSN 30096776 FE 10096696 RE 11/05/01

Key	PartNumber	Qty	Description	Comment
-----	------------	-----	-------------	---------



Models: A3FE, A3RE, C3FE, C4RE, CSFE, CSRE, QBRE, TCFE
WHEEL END COMPONENTS
REAR, DRUM BRAKES, HUB PILOTED
MERITOR
8.62 INCH STEEL WHEELS/WEBB
BSN: From CSN 30096776 FE 10096696 RE 11/05/01

Key	PartNumber	Qty	Description	Comment
1	0043449	2	GASKET	
2	2598613	2	NUT,WHEEL,BEARING,JAM,REAR AXLE	
3	0048533	2	WASHER,LOCK,SPINDLE	
4	2647238	2	LOCKWASHER,WHEEL BEARING NUT	
5	0043475	2	NUT,WHEEL,BEARING,ADJUSTING,REAR AXLE	
6	0929059	2	BEARING,OUTER,AXLE SHAFT,ROCKWELL &	
7	0045978	2	HUB & DRUM ASSY(NOT SERVICED AS AN	<i>INCLUDES THE FOLLOWING ITEMS</i>
NI	0044826	1	HUB & CUP ASSY,2643 SERIES,STL WHLS	<i>INCLUDES CUPS AND STUDS</i>
NI	2621779	1	CUP,WHEEL BEARING,REAR INNER,R-155,592A	
NI	2621571	1	CUP,OUTER WHEEL BEARING	
NI	2138584	8	STUD,DRIVE,5/8-18	
NI	1714294	10	STUD,SERRATED,22 MM,RR,HUB PILTD	
NI	4317079	10	FLANGE,CAPNUT,22MM"	
NI	0043878	1	DRUM,BRAKE	
8	2594893	16	NUT,AXLE SHAFT	
NI	2603512	16	WASHER,AXLE SHAFT	
NI	0929091	16	DOWEL,AXLE SHAFT	
9	0929042	2	BEARING,INNER,REAR AXLE	
10	0043448	2	SEAL ASSY,OIL,INNER	
11	0928994	16	CAPSCREW,HEX HD,5/8-18 X 2,GR 8,YEL ZN	
12	0929018	32	WASHER,FLAT,21/32 X 1 1/8 X 3/32,HDN,YEL	
13	0929000	16	NUT,HEX HD,5/8-18,LOCKING,GR 8,CADMIUM	