

Chassis

035 Brakes, Hydraulic

BRAKE SYSTEM, WITH ABS

*With: FEATURE 40071 WITH 40076
From CSN 30095446 10/15/01
To CSN 05/29/05*

1

*With: FEATURE 40071 WITH 40076
From CSN 05/30/05*

2

INSTALLATION DIAGRAM

3

PARKING BRAKE

ALLISON 2000/2400 SERIES

*With: FEATURE 40071
From CSN 10040840 09/21/99*

4

AT545

*With: FEATURE 40071
From CSN 10015970 10/26/98*

5

*With: FEATURE 40071
From CSN 10015970 10/26/98*

6

LEVER ASSY

LH HAND OPERATED

RH MOUNTED

7

LEVER ASSY, HAND OPERATED

From CSN 30043335 11/01/99

8

LEVER ASSY, RH HAND OPERATED, RH MOUNTED

9

MD3060

*With: FEATURE 40071
From CSN 11/04*

10

WHEEL END COMPONENTS

FRONT, HUB PILOTED DISC WHEELS

MERITOR, ALUMN WHEELS

From CSN 30046776 11/05/01

11

MERITOR, STEEL WHEELS

From CSN 30046776 11/05/01

12

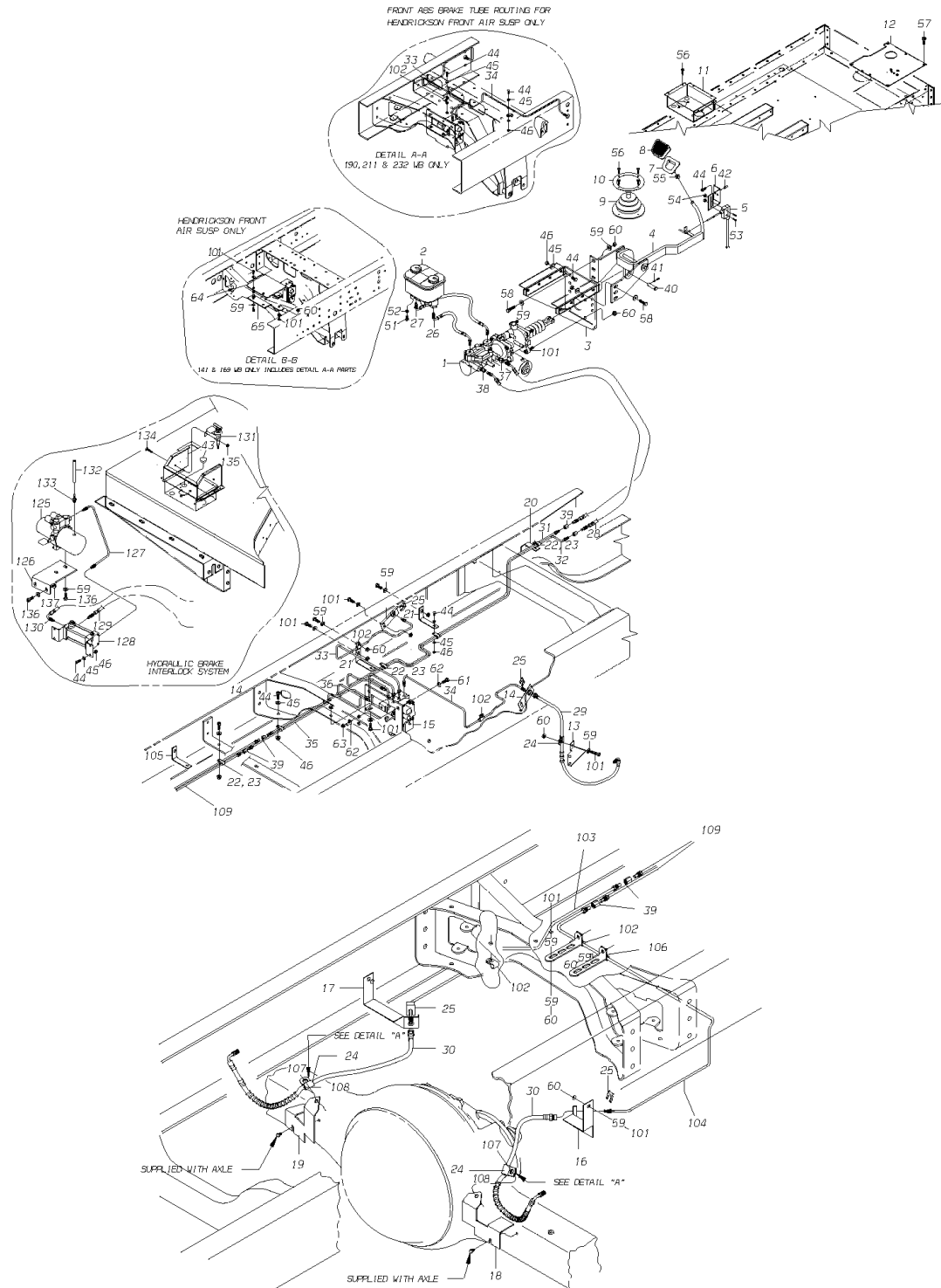
REAR, HUB PILOTED DISC WHEELS

MERITOR, ALUMN WHEELS

<i>From CSN 30046776 11/05/01</i>	<i>13</i>
MERITOR, STEEL WHEELS	
<i>From CSN 30046776 11/05/01</i>	<i>14</i>

Models: A3FE, C3FE
With: BRAKE SYSTEM, WITH ABS
Feature: 40071 WITH 40076
BSN: From CSN 30095446 10/15/01
 To CSN 05/29/05

Key	PartNumber	Qty	Description	Comment
-----	------------	-----	-------------	---------



Models: A3FE, C3FE
With: BRAKE SYSTEM, WITH ABS
With: FEATURE 40071 WITH 40076
BSN: From CSN 30095446 10/15/01
 To CSN 05/29/05

Key	PartNumber	Qty	Description	Comment
1	1933118	1	MASTER CYL&BOOSTER ASSY,HYDBRK,W/PRS	
NI	8305195	1	MOTOR & PUMP ASSY W/SEAL KIT FOR 1933118	
NI	0035714	1	SEAL,MOTOR TO MASTER CYLINDER	
NI	0025280	1	BOOSTER,BRAKE,HYD	
2	1565050	1	RESERVOIR ASSY,HYDRAULIC BRAKE	
3	0036093	1	BRACKET,MTG,HYD BRAKE BOOSTER, HDFE	
4	0034593	1	LEVER ASSY,FINAL,HYD BRAKE,HDFE	
5	1715150	1	SWITCH,OMNI-DIR,SGL POLE NORM CLOSED,	
6	0026555	1	BRACKET,MTG,HYD BRKS,SWITCH	
7	1418573	1	PEDAL ASSY,BRAKE,HYDRAULIC,TCFC	
8	1420850	1	COVER,RUBBER,HYD BRAKE & CLUTCH PEDAL,	
9	2003432	1	BOOT,RUBBER,GEARSHIFT LEVER	
10	0207662	1	RETAINER,RUBBER BOOT,GEARSHIFT LEVER	
11	0007192	1	BRACKET,MTG,HYDRAULIC BRK RESERVOIR,	
12	0002775	1	PLATE,MTG,ELEC ACCEL,HYD BRAKE TREADLE	
13	0007183	1	BRACKET,MTG,BRAKE HOSE,FRT AXLE,RH	
	0007182	1	BRACKET,MTG,BRAKE HOSE,FRT AXLE,LH	
14	1758226	2	BRACKET, MTG, BRAKE HOSE TO FRM, FRT	
15	0006681	1	MODULATOR ASSY,ANTILOCK BRAKES,	
16	0006667	1	BRACKET,MTG,HYD BRK HOSE TO FRM,RR AXLE,	
17	0006672	1	BRACKET,MTG,HYD BRK HOSE TO FRM,RR AXLE,	
18	0006669	1	BRACKET,SUPT,HYD BRAKE HOSE,REAR,RH	
19	0042038	1	BRACKET,SUPT,HYD BRAKE HOSE,REAR,LH	

Models: A3FE, C3FE
With: BRAKE SYSTEM, WITH ABS
With: FEATURE 40071 WITH 40076
BSN: From CSN 30095446 10/15/01
 To CSN 05/29/05

Key	PartNumber	Qty	Description	Comment
20	1582667	1	BRACKET,SUPT,HYD BRAKE LINE,ENG MOUNT,	
21	1550102	2	BRACKET,SUPT,HYD BRAKE LINES, TCFC	
22	0079313	3	CLAMP,LOOP,TUBE,.25 O.D.,2 TUBE	
23	1586171	6	CUSHION,LOOP CLAMP,.25 OD,2 TUBE	
24	0854612	4	CLAMP,LOOP,.500	
25	1317221	4	CLIP,SPRING,LOCK HYD BRAKE HOSE	
26	0003123	1	HOSE ASSY,RESERVOIR TO MASTER CYL,SEC,	
27	1468305	1	HOSE ASSY,BRAKE,RES TO MAST CYL,SECOND	
28	1902543	2	HOSE ASSY,BRAKE,REAR AXLE,LH	DELETE 1 WITH FEATURE 40004-07
29	1317379	2	HOSE ASSY,BRAKE,FRONT AXLE,TCFC	
30	0043758	2	HOSE ASSY,BRAKE,RR AXLE,HYD,MERITOR	
31	0045466	1	TUBE ASSY,STEEL,HYD BRK,PRIMARY,ABS,	WITHOUT FEATURE 40004-07 ONLY
31	0045465	1	TUBE ASSY,STEEL,HYD BRK,PRIM,ABS,HEND,	WITH FEATURE 40004-07 ONLY
32	0045467	1	TUBE ASSY,STEEL,HYD BRK,SECONDARY,ABS,	WITHOUT FEATURE 40004-07 ONLY
32	0045464	1	TUBE ASSY,STEEL,HYD BRK,SECD,ABS,HEND,	WITH FEATURE 40004-07 ONLY)
33	0045470	1	TUBE ASSY,STEEL,HYD BRK,FRT,LH,ABS, HDFE	WITHOUT FEATURE 40004-07 ONLY
33	0045462	1	TUBE ASSY,STEEL,HYD BRK,FRT,LH,ABS,HEND	WITHOUT FEATURE 40004-07 ONLY)
34	0045469	1	TUBE ASSY,STEEL,HYD BRK,FRT,RH,ABS, HDFE	WITH FEATURE 40004-07 ONLY)
34	0045461	1	TUBE ASSY,STEEL,HYD BRK,FRT,RH,ABS,HEND	WITHOUT FEATURE 40004-07 ONLY
35	0078003	1	TUBE ASSY,STEEL,HYD BRAKE,REAR RH MOD,	WITH FEATURE 40004-07 ONLY
35	0078509	1	TUBE,ASSY,STEEL,HYD BRK,RR RH MOD,ABS,	WITHOUT FEATURE 40004-07 ONLY
				WITH FEATURE 40004-07 ONLY

Models: A3FE, C3FE
With: BRAKE SYSTEM, WITH ABS
With: FEATURE 40071 WITH 40076
BSN: From CSN 30095446 10/15/01
 To CSN 05/29/05

Key	PartNumber	Qty	Description	Comment
36	0045472	1	TUBE ASSY,STEEL,HYD BRK,RR,LH MOD,ABS	
36	0045788	1	TUBE ASSY,STEEL,HYD BRK,RR,LH MOD,ABS,	WITHOUT FEATURE 40004-07 ONLY
37	1401454	1	ADAPTER,INVERTED FLARE,1/4 X 1/4,WH-7908	
38	1401447	1	ADAPTER,INVERTED FLARE,5/16 X 1/4,WH-7829	
39	1201961	4	ADAPTER,UNION,302 X 4,MANUAL TRANS, AARE	
40	2008852	1	PIN,CLEVIS,1/2 DIA X 1 1/2, YEL ZN DICH	
41	2008860	1	PIN,COTTER,3/32 X 1,YEL ZN DICH	
42	2001394	2	RIVNUT,NC,1/4"	
43	1351071	2	PLUG,BUTTON,BLACK,DP-1000 HEYCO 2713	DELETE 1 WITH FEATURE 40004-07
44	0870477	10	CAPSCREW,HEX HD,1/4-20 X 1,GR 8,YEL ZN	
45	1467000	16	WASHER,FLAT,.281 X.750X.078 HARDENED,BLK	
46	2001345	18	NUT,HEX HD,1/4-20,LOCKING,YELLOW	
47	2000776	AR	SCREW,MACH, 10-32 X 3/4,PH1,RD HD,	
48	2001105	AR	WASHER,FLAT,13/64 X,1/2 X 3/64,YEL ZN DICH	
49	2001162	AR	LOCKWASHER,SPLIT RING, 3/16,MED,YEL ZN	
50	2001287	AR	NUT,HEX HD,10-32,YEL ZN DICH	
51	2028280	4	CAPSCREW,HEX HD,5/16-18X5/8,GR5,YEL ZN	
52	2001188	4	LOCKWASHER,SPLIT RING, 5/16,MED,YEL ZN	
53	1711183	2	SCREW,MACH 6-32 X 1,PH1,PAN HD,YEL ZN	
54	1711191	2	NUT,HEX HD,6-32,YEL ZN DICH	
55	2001477	1	NUT,HEX HD,1/2-13,YEL ZN DICH	
56	1143676	10	SCREW,10-16 X 3/4, AB,PH1,PAN HD,BLK ZN,	
57	2000099	6	SCREW,1/4-20 X 1-1/2,D,HEX HD,YEL ZN DICH"	

Models: A3FE, C3FE
With: BRAKE SYSTEM, WITH ABS
With: FEATURE 40071 WITH 40076
BSN: From CSN 30095446 10/15/01
 To CSN 05/29/05

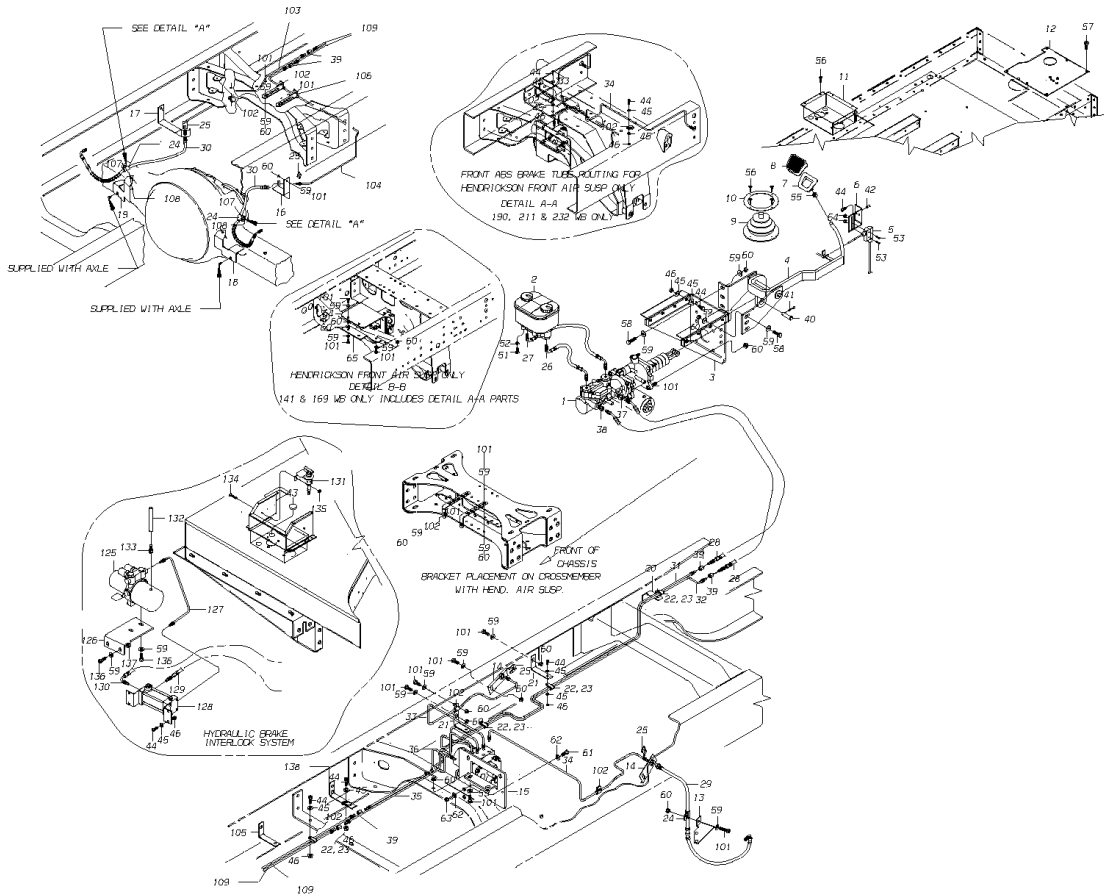
Key	PartNumber	Qty	Description	Comment
58	0803213	A/	CAPSCREW,HEX HD,3/8-16X1 1/4,GR8,YEL	
59	1107085	A/	WASHER,FLAT,13/32 X 13/16 X 3/32,HDN,BLK	
60	0839027	6	NUT,HEX HD,3/8-16,GR G,SM FLG LK,YEL	
61	0803239	2	CAPSCREW,HEX HD,1/2-13 X1 1/2,GR8	
62	2001139	4	WASHER,FLAT,1/2 X 1 1/4 X 3/32,YEL ZN DICH	
63	0850800	2	NUT,HEX HD,1/2-13,LOCKING,GR 8,CAD WAX	
64	0064074	1	BRACKET,MTG,MODULATOR,HYD BK,HEND	
65	0064075	1	BRACKET,SUPT,MODULATOR,HYD BK,HEND	
10	0803171	A/	CAPSCREW,HEXHD,3/8-16NCX1-1/2,GR8,	
10	2024370	A/	CLAMP,LOOP,.250	
10	0076109		TUBE,ASSY,STEEL,HYD BRK,RR,LH,ABS,	
10	0075982		TUBE,ASSY,STEEL,HYD BRK,RR,RH,ABS,7 IN,FE	
10	1317247	6	BRACKET,ATCH,BRAKE LINE TO FRAME	
10	4759591	2	BRACKET PIPE SUPPORT ANGLED 3 SLOT	
10	0061658	2	FASTENER,HUCK,3/8BLIND,MAGNA-LOC,	
10	0076542	2	WASHER,SER,INT-EXT,-.375,ZINC PLTED	
10	0078201		TUBE ASSY,STEEL,HYD BRK,RR,141 WB,FE	
10	0081035		TUBE ASSY,STEEL,HYD BRAKE,FE 169	
10	0081036		TUBE ASSY,STEEL,HYD BRAKE,FE 190	
10	0081037		TUBE ASSY,STEEL,HYD BRAKE,FE 211	
10	0081038		TUBE ASSY,STEEL,HYD BRAKE,FE 232	
			THE FOLLOWING PARTS APPLY TO BRAKE	
12	1966845	1	PUMP ASSY,POWER UNIT,MICO 690,BRK	

Models: A3FE, C3FE
BRAKE SYSTEM, WITH ABS
With: FEATURE 40071 WITH 40076
BSN: From CSN 30095446 10/15/01
 To CSN 05/29/05

Key	PartNumber	Qty	Description	Comment
12	0007185	1	BRACKET,MTG,PWR UNIT,HYD BRK INTERLOCK	
12	0045375	1	TUBE ASSY,STEEL,HYD BRK INTLK,ACTR/PWR	
12	1938703	1	ACTUATOR,SINGLE,HYD BRAKE INTERLOCK	
12	0007186	1	HOSE ASSY,BRK,ACTUATOR TO SEC,INTERLOC	
13	1468297	1	HOSE ASSY,BRAKE,RES TO MAST CYL,PRIM,	
13	0009593	1	FILLER NECK ASSY,REMOTE,PWR UNIT,BRK	
13	0938548	4	HOSE,RUBBER,HO5705,5/16 ID X 9/16 OD	
13	2008126	1	CONNECTOR,HOSE,W/S WIPER,692 1/4 X 1/4	
13	2000750	1	SCREW,MACH,10-24 X 1/2,PH1,RD HD,YEL	
13	1469287	1	NUT,HEX,10-24,ELASTIC LOCKNUT,YEL ZN DICH	
13	0559195	4	CAPSCREW,HEX HD,3/8-16 X 1,GR 8,YEL ZN	
13	0826297	2	NUT,HEX HD,3/8-16 LOCK,YEL ZN DICH	

Models: A3FE, C3FE
With: BRAKE SYSTEM, WITH ABS
Feature: FEATURE 40071 WITH 40076
BSN: From CSN 05/30/05

Key	PartNumber	Qty	Description	Comment
-----	------------	-----	-------------	---------



Models: A3FE, C3FE
With: BRAKE SYSTEM, WITH ABS
BSN: FEATURE 40071 WITH 40076
 From CSN 05/30/05

Key	PartNumber	Qty	Description	Comment
1	1933118		MASTER CYL&BOOSTER ASSY,HYDBRK,W/PRS	
2	1565050		RESERVOIR ASSY,HYDRAULIC BRAKE	
3	0036093		BRACKET,MTG,HYD BRAKE BOOSTER, HDFE	
4	0034593		LEVER ASSY,FINAL,HYD BRAKE,HDFE	
5	1715150		SWITCH,OMNI-DIR,SGL POLE NORM CLOSED,	
6	0026555		BRACKET,MTG,HYD BRKS,SWITCH	
7	1418573		PEDAL ASSY,BRAKE,HYDRAULIC,TCFC	
8	1420850		COVER,RUBBER,HYD BRAKE & CLUTCH PEDAL,	
9	2003432		BOOT,RUBBER,GEARSHIFT LEVER	
10	0207662		RETAINER,RUBBER BOOT,GEARSHIFT LEVER	
11	0007192		BRACKET,MTG,HYDRAULIC BRK RESERVOIR,	
12	0002775		PLATE,MTG,ELEC ACCEL,HYD BRAKE TREADLE	
13	0007182		BRACKET,MTG,BRAKE HOSE,FRT AXLE,LH	
13	0007183		BRACKET,MTG,BRAKE HOSE,FRT AXLE,RH	
14	1758226	2	BRACKET, MTG, BRAKE HOSE TO FRM, FRT	
15	0084794		MODULATOR,ASSY,ABS,HYDRAULIC, FE	
16	0006667		BRACKET,MTG,HYD BRK HOSE TO FRM,RR AXLE,	
17	0006672		BRACKET,MTG,HYD BRK HOSE TO FRM,RR AXLE,	
18	0006669		BRACKET,SUPT,HYD BRAKE HOSE,REAR,RH	
19	0042038		BRACKET,SUPT,HYD BRAKE HOSE,REAR,LH	
20	1582667	A/	BRACKET,SUPT,HYD BRAKE LINE,ENG MOUNT,	
21	1550102	2	BRACKET,SUPT,HYD BRAKE LINES, TCFC	
22	0079313	8	CLAMP,LOOP,TUBE,.25 O.D.,2 TUBE	

Models: A3FE, C3FE
With: BRAKE SYSTEM, WITH ABS
BSN: FEATURE 40071 WITH 40076
 From CSN 05/30/05

Key	PartNumber	Qty	Description	Comment
23	1586171	16	CUSHION,LOOP CLAMP,.25 OD,2 TUBE	
24	0854612	4	CLAMP,LOOP,.500	
25	1317221	4	CLIP,SPRING,LOCK HYD BRAKE HOSE	
26	0003123		HOSE ASSY,RESERVOIR TO MASTER CYL,SEC,	
27	1468305		HOSE ASSY,BRAKE,RES TO MAST CYL,SECOND	
28	1902543	2	HOSE ASSY,BRAKE,REAR AXLE,LH	
29	1317379	2	HOSE ASSY,BRAKE,FRONT AXLE,TCFC	
30	0043758	2	HOSE ASSY,BRAKE,RR AXLE,HYD,MERITOR	
31	0085259		TUBE ASSY,STEEL,HYD BRK,PRIMARY,ABS, FE	WITHOUT FEATURE 4004-07
31	0085392		TUBE ASSY,STEEL,HYD BRK,PRIM,ABS,HEND, FE	WITH FEATURE 4004-07 ONLY
32	0085265		TUBE ASSY,STEEL,HYD BRK,SECONDARY,ABS,	WITHOUT FEATURE 4004-07
32	0085258		TUBE ASSY,STEEL,HYD BRK,SECD,ABS,HEND,	WITH FEATURE 4004-07 ONLY
33	0085267		TUBE ASSY,STEEL,HYD BRK,FRT,LH,ABS, FE	WITHOUT FEATURE 4004-07
33	0085257		TUBE ASSY,STEEL,HYD BRK,FRT,LH,ABS,HEND,	WITH FEATURE 4004-07 ONLY
34	0085305		TUBE ASSY,STEEL,HYD BRK,FRT,RH,ABS, FE	WITHOUT FEATURE 4004-07
34			TUBE ASSY, STEEL, HYD BRK, FRT, RH, ABS,	WITH FEATURE 4004-07 ONLY
35	0085127		TUBE ASSY,STEEL,HYD BRK,RR,RH,MOD,ABS	WITHOUT FEATURE 4004-07
35	0085373		TUBE,ASSY,STL,HYD BRK,RR,RH MOD,ABS,	WITH FEATURE 4004-07 ONLY
36	0085269		TUBE ASSY,STEEL,HYD BRK,RR,LH MOD,ABS, FE	
36	0085271		TUBE ASSY,STL,HYD BRK,RR,LH MOD,ABS,	
37	1401454		ADAPTER,INVERTED FLARE,1/4 X 1/4,WH-7908	
38	1401447		ADAPTER,INVERTED FLARE,5/16 X 1/4,WH-7829	
39	1201961	6	ADAPTER,UNION,302 X 4,MANUAL TRANS, AARE	

Models: A3FE, C3FE
With: BRAKE SYSTEM, WITH ABS
BSN: FEATURE 40071 WITH 40076
 From CSN 05/30/05

Key	PartNumber	Qty	Description	Comment
40	2008852		PIN,CLEVIS,1/2 DIA X 1 1/2, YEL ZN DICH	
41	2008860		PIN,COTTER,3/32 X 1,YEL ZN DICH	
42	2001394	2	RIVNUT,NC,1/4"	
43	1351071	2	PLUG,BUTTON,BLACK,DP-1000 HEYCO 2713	
44	0870477	16	CAPSCREW,HEX HD,1/4-20 X 1,GR 8,YEL ZN	
45	1467000	25	WASHER,FLAT,.281 X.750X.078 HARDENED,BLK	
46	2001345	14	NUT,HEX HD,1/4-20,LOCKING,YELLOW	
51	2028280	4	CAPSCREW,HEX HD,5/16-18X5/8,GR5,YEL ZN	
52	2001188	4	LOCKWASHER,SPLIT RING, 5/16,MED,YEL ZN	
53	1711183	2	SCREW,MACH 6-32 X 1,PH1,PAN HD,YEL ZN	
54	1711191	2	NUT,HEX HD,6-32,YEL ZN DICH	
55	2001477		NUT,HEX HD,1/2-13,YEL ZN DICH	
56	1143676	10	SCREW,10-16 X 3/4, AB,PH1,PAN HD,BLK ZN,	
57	2000099	6	SCREW,1/4-20 X 1-1/2,D,HEX HD,YEL ZN DICH"	
58	0803213	6	CAPSCREW,HEX HD,3/8-16X1 1/4,GR8,YEL	
59	1107085	10	WASHER,FLAT,13/32 X 13/16 X 3/32,HDN,BLK	
60	0839027	4	NUT,HEX HD,3/8-16,GR G,SM FLG LK,YEL	
61	0803239	2	CAPSCREW,HEX HD,1/2-13 X1 1/2,GR8	
62	2001139	4	WASHER,FLAT,1/2 X 1 1/4 X 3/32,YEL ZN DICH	
63	0850800	2	NUT,HEX HD,1/2-13,LOCKING,GR 8,CAD WAX	
64	0064074		BRACKET,MTG,MODULATOR,HYD BK,HEND	WITH 141 &169 WB & FEATURE 40007-07
66	0064075		BRACKET,SUPT,MODULATOR,HYD BK,HEND	WITH 141 &169 WB & FEATURE 40007-07
10	0803171	34	CAPSCREW,HEXHD,3/8-16NCX1-1/2,GR8,	

Models: A3FE, C3FE
With: BRAKE SYSTEM, WITH ABS
BSN: FEATURE 40071 WITH 40076
 From CSN 05/30/05

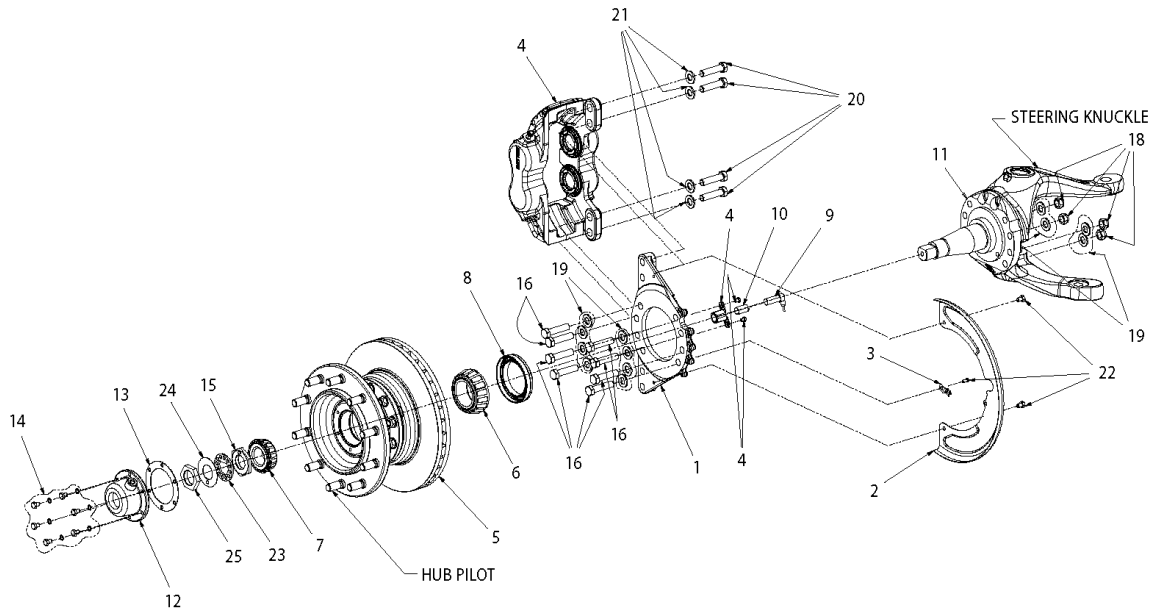
Key	PartNumber	Qty	Description	Comment
10	2024370	13	CLAMP,LOOP,.250	
10	0085364		TUBE ASSY,STEEL,HYD BRAKE,RR,LH,ABS	
10	0075982		TUBE,ASSY,STEEL,HYD BRK,RR,RH,ABS,7 IN,FE	WITH REAR SPRING SUSPENSION
10	0085250		TUBE ASSY,STEEL,HYD BRK,RR,RH,ABS,HEND	WITH REAR HENDRICKSON SUSPENSION
10	1317247	4	BRACKET,ATCH,BRAKE LINE TO FRAME	
10	4759591	2	BRACKET PIPE SUPPORT ANGLED 3 SLOT	WITH REAR SPRING SUSPENSION
10	0085252	2	BRACKET,HYD,SUPPORT,HENDRICKSON	WITH REAR HENDRICKSON SUSPENSION
10	0061658	2	FASTENER,HUCK,3/8BLIND,MAGNA-LOC,	
10	0076542	2	WASHER,SER,INT-EXT,.375,ZINC PLTED	
10	0078201	2	TUBE ASSY,STEEL,HYD BRK,RR,141 WB,FE	141" WITH SPRING SUSPENSION
10	0078196	2	TUBE,ASSY,STEEL,HYD BRK,RR,189 WB BBCV	141" WITH HENDRICKSON FRONT SUSPENSION
10	0081035	2	TUBE ASSY,STEEL,HYD BRAKE,FE 169	169" WITH SPRING SUSPENSION
10	0078197	2	TUBE ASSY,STEEL,HYD BRK,RR,217 WB BBCV	169" WITH HENDRICKSON FRONT SUSPENSION
10	0081036	2	TUBE ASSY,STEEL,HYD BRAKE,FE 190	190" WITH SPRING SUSPENSION
10	0078198	2	TUBE ASSY,STEEL,HYD BRK,RR,238 WB,BBCV	190" WITH HENDRICKSON FRONT SUSPENSION
10	0081037	2	TUBE ASSY,STEEL,HYD BRAKE,FE 211	211" WITH SPRING SUSPENSION
10	0085868	2	TUBE ASSY,STEEL,HYD BRK,211 WB W/HEND,	211" WITH HENDRICKSON FRONT SUSPENSION
10	0081038	2	TUBE ASSY,STEEL,HYD BRAKE,FE 232	232" WITH SPRING SUSPENSION
10	0085869	2	TUBE ASSY,STEEL,HYD BRK,232 WB W/HEND,	232" WITH HENDRICKSON FRONT SUSPENSION
12	1966845		PUMP ASSY,POWER UNIT,MICO 690,BRK	ADD WITH HYD BRAKE INTERLOCK
12	0007185		BRACKET,MTG,PWR UNIT,HYD BRK INTERLOCK	ADD WITH HYD BRAKE INTERLOCK

Models: A3FE, C3FE
With: BRAKE SYSTEM, WITH ABS
BSN: FEATURE 40071 WITH 40076
 From CSN 05/30/05

Key	PartNumber	Qty	Description	Comment
12	0045375		TUBE ASSY,STEEL,HYD BRK INTLK,ACTR/PWR	ADD WITH HYD BRAKE INTERLOCK
12	1938703		ACTUATOR,SINGLE,HYD BRAKE INTERLOCK	ADD WITH HYD BRAKE INTERLOCK
12	0007186		HOSE ASSY,BRK,ACTUATOR TO SEC,INTERLOC	ADD WITH HYD BRAKE INTERLOCK
13	1468297		HOSE ASSY,BRAKE,RES TO MAST CYL,PRIM,	ADD WITH HYD BRAKE INTERLOCK
13	0009593		FILLER NECK ASSY,REMOTE,PWR UNIT,BRK	ADD WITH HYD BRAKE INTERLOCK
13	0938548	A/	HOSE,RUBBER,HO5705,5/16 ID X 9/16 OD	ADD WITH HYD BRAKE INTERLOCK
13	2008126		CONNECTOR,HOSE,W/S WIPER,692 1/4 X 1/4	ADD WITH HYD BRAKE INTERLOCK
13	2000750		SCREW,MACH,10-24 X 1/2,PH1,RD HD,YEL	ADD WITH HYD BRAKE INTERLOCK
13	1469287		NUT,HEX,10-24,ELASTIC LOCKNUT,YEL ZN DICH	ADD WITH HYD BRAKE INTERLOCK
13	0559195	4	CAPSCREW,HEX HD,3/8-16 X 1,GR 8,YEL ZN	ADD WITH HYD BRAKE INTERLOCK
13	0826297	2	NUT,HEX HD,3/8-16 LOCK,YEL ZN DICH	ADD WITH HYD BRAKE INTERLOCK
NI	1940881	A/	FLUID,BRAKE,HYDRAULIC,SILICONE,DOT #5	ADD WITH HYD BRAKE INTERLOCK
13	0085976		BRACKET,ATTACH,STRAIGHT BRAKELINE	ADD WITH HYD BRAKE INTERLOCK
NI	0607671		FLUID,BRAKE,1 GAL	ADD WITH HYD BRAKE INTERLOCK

Models: A3FE, C3FE, C4RE
INSTALLATION DIAGRAM

Key	PartNumber	Qty	Description	Comment
-----	------------	-----	-------------	---------



Models: A3FE, C3FE, C4RE
INSTALLATION DIAGRAM

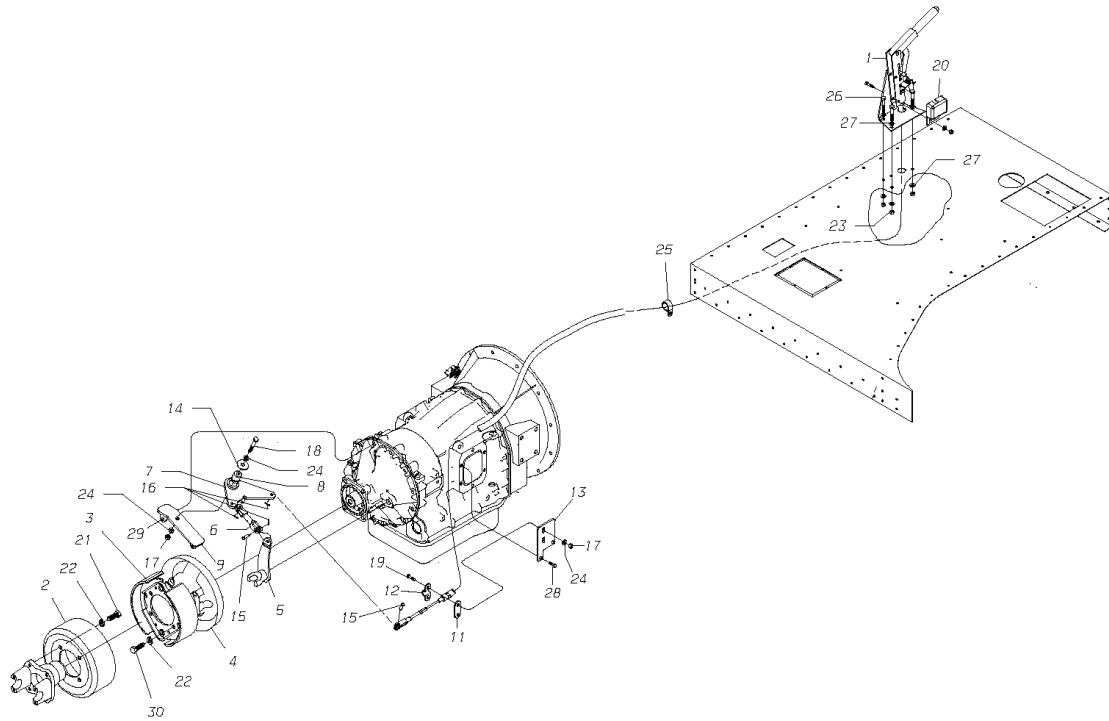
Key	PartNumber	Qty	Description	Comment
1	0071351		PLATE,TORQUE,RH,HYD,HEND	
1	0071352		PLATE,TORQUE,LH,HYD,HEND	
2	0044780		DUSTSHIELD,HYDRAULIC BRAKES	
3	0044801		CLIP	
4	0042331		CALIPER ASSY,70MM,MERITOR,4PISTON,LH	
4	0042330		CALIPER ASSY,70MM,MERITOR,4PISTON,RH	
5	0076727		HUB AND ROTOR ASSY,STEER,ALUM WHEEL	
5	0043895		HUB AND ROTOR ASSY,STEER,STEEL WHEELS	
6	0929406		BEARING,INNER,FRONT AXLE,TIMKEN	
7	0092914		STRUCTURE ASSY,FRONT,TOEBOX,2005, CV	
8	0043367		SEAL ASSY,OIL	
9	0006679		SENSOR,ABS,90 DEGREE,HYD BRK	
10	1542471		SLEEVE,CLAMP,NOTCHED,HUB SENSOR,ABS	
11			various, SEE " FRONT AXLE USAGE CHARTS	
12	0014892		HUBCAP ASSY,STEER AXLE,OIL LUBE,4.50 B.C.	
13	2602449		GASKET,FRONT HUBCAP,RKWL	
14	1884378		CAPSCREW,HEX FLG,5/16-18X7/8,GR5,BLK ZN	
15	2599017		NUT,WHEEL BEARING,ADJUSTING	
16	1885128		CAPSCREW,HEX HD,5/8-11 X 2.75 GR8,YEL	
18	0939827		NUT,HEX HD,5/8-11,GR 8,LOCK,CADMIUM WAX	
19	0929018		WASHER,FLAT,21/32 X 1 1/8 X 3/32,HDN,YEL	
20	0097711		CAPSCREW,HEX HD,M20-2.50X50,GR10.9,	
21	1940907		WASHER,FLAT,METRIC,M20,CLASS 10,HARD,	

Models: A3FE, C3FE, C4RE
INSTALLATION DIAGRAM

Key	PartNumber	Qty	Description	Comment
22	0971739		CAPSCREW,HX HD,M8-1.25X20,CL 8.8,	
23	2600617		WASHER,WHEEL BEARING,ADJUSTING	
24	0096730		WASHER,LOCKING,AXLE SPINDLE	
25	2598217		NUT,JAM,OUTER WHEEL BEARING	

Models: A3FE, C3FE, CSFE, TCFE
PARKING BRAKE
ALLISON 2000/2400 SERIES
With: FEATURE 400071
BSN: From CSN 10040840 09/21/99

Key	PartNumber	Qty	Description	Comment
-----	------------	-----	-------------	---------



Models: A3FE, C3FE, CSFE, TCFE
PARKING BRAKE
ALLISON 2000/2400 SERIES
With: FEATURE 400071
BSN: From CSN 10040840 09/21/99

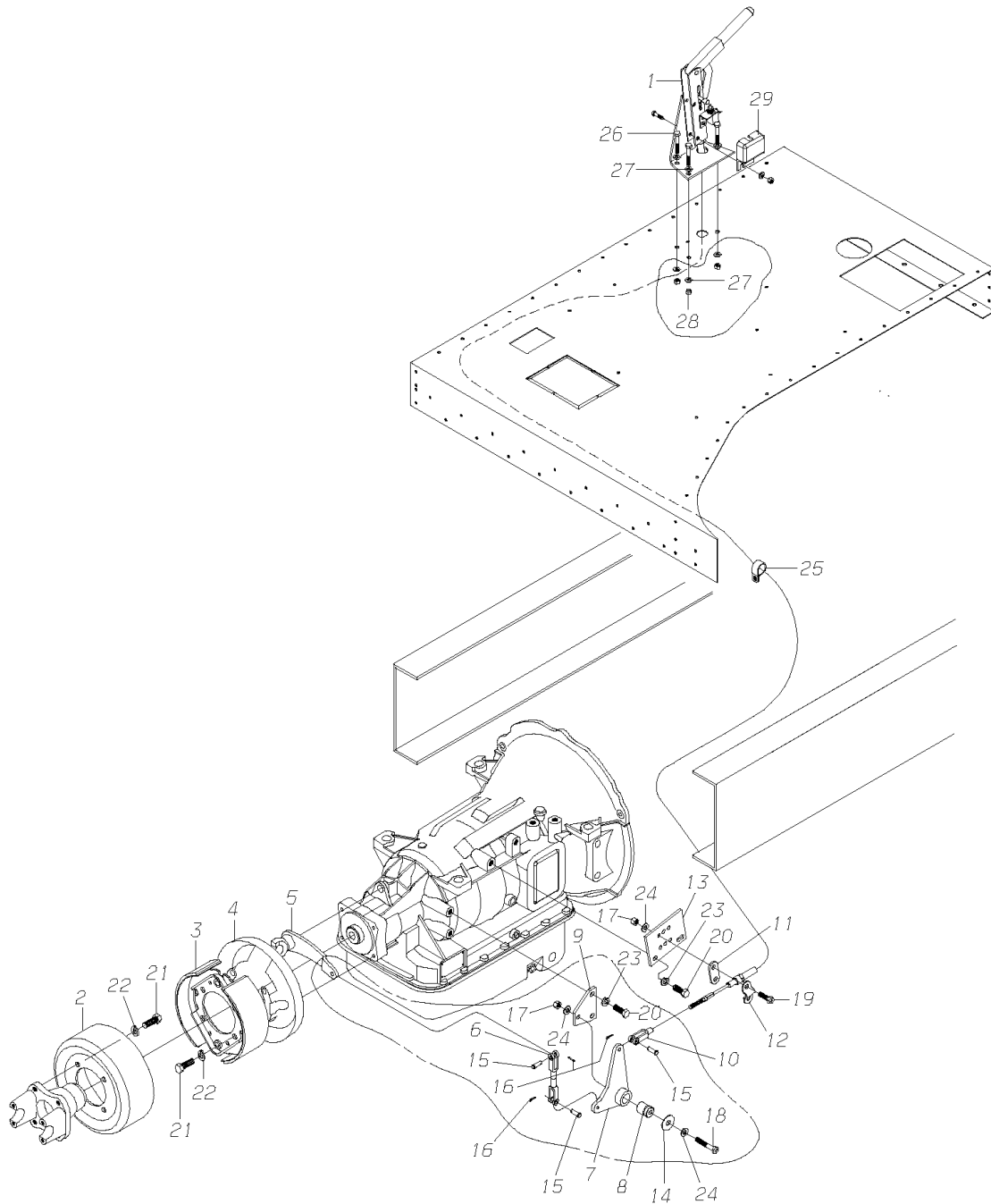
Key	PartNumber	Qty	Description	Comment
1	0004581		LEVER ASSY,PARKING BRAKE,HAND OPERATED	ENDING WITH CSN 10/31/99
1	0016666		LEVER ASSY,PARKING BRAKE,HAND OPERATED	FROM CSN 11/01/99 TO 10-31-04
1	0076785		LEVER,ASSY,PARKING BRAKE,LH OPERATED	BEGIN WITH CSN 07/01/04
1	0075844		LEVER,ASSY,PARK BRK,HAND OPER,W/40049	WITH 40049-03 BEGIN WITH CSN 07/01/04
NI	0016307		SWITCH,MOMENTARY,SPST NC	ENDING 7-18-04
2	1319631		DRUM PARKING BRAKE	
3	1798057		BRAKE ASSY,PARKING,BENDIX	
4	1540400		SHIELD,PARKING BRAKE,TCFC	
5	1319607		LEVER,PARKING BRAKE ASSY,BOSCH	
6	1628296		YOKE,PARKING BRAKE,QBFC/TCFC	
7	1444892		BELLCRANK ASSY,PARKING BRAKE,TCFC	
8	1317429		SPACER,PARKING BRAKE LINKAGE,TCFC	
9	0013677		BRACKET ASSY,PKG BRK LINKAGE,2000 SERIES	
10	1317502		YOKE,PARKING BRAKE,CLEVELAND 2708-3A	
11	1443258		SPACER,LINK,ORSCHELN 8100131	
12	1443241		CLAMP,CABLE,ORSCHELN 81000108	
13	0014754		BRACKET,MTG,PARKING BRAKE CABLE,2000	
14	0560748		WASHER,FLAT,15/32 X 1 1/2 X 3/32,HDN,BLK	
15	1319573	3	PIN,CLEVIS,5/16,CLEVELAND 2708 1/2-3A	
16	2008860	3	PIN,COTTER,3/32 X 1,YEL ZN DICH	
17	0826297	2	NUT,HEX HD,3/8-16 LOCK,YEL ZN DICH	
18	0870451		CAPSCREW,HEX HD,3/8-16X 2 1/2,GR8,	
19	0803213	2	CAPSCREW,HEX HD,3/8-16X1 1/4,GR8,YEL	

Models: A3FE, C3FE, CSFE, TCFE
PARKING BRAKE
ALLISON 2000/2400 SERIES
With: FEATURE 400071
BSN: From CSN 10040840 09/21/99

Key	PartNumber	Qty	Description	Comment
NI	1479708		COVER,PARKING BRAKE SWITCH	
21	0803239	4	CAPSCREW,HEX HD,1/2-13 X1 1/2,GR8	
22	2001212	8	LOCKWASHER,SPLIT RING, 1/2 ,LHT,YEL ZN	
23	1480433	3	NUT,HEX HD,5/16-18,FLG PRVG TORQ,GR F,	
24	1107085	4	WASHER,FLAT,13/32 X 13/16 X 3/32,HDN,BLK	
25	0557710		CLAMP,LOOP,.812	
26	1032309	3	CAPSCREW,HEX HD,5/16-18X 2,GR 5,YEL ZN	
27	1167485	6	WASHER,FLAT,11/32 X 11/16 X 5/64,HDN,BLK	
28	0997742	2	CAPSCREW,HX HD,M10-1.5X25,CL10.9,	
29	0013655	2	CAPSCREW,HEX HD,M10-1.5 X 45,GRADE 10.9	
30	1660984	4	CAPSCREW,HEX HD M12-1.75 X 30MM,GR 10.9	
31	0971978		NUT,HEX HD,5/16,YELLOW DICHROMATE	
32	1501097		BRACKET,ATCH,BRAKE LINE TO FRAME	
33	0056715		CAPSCREW,HEX HD,5/16-18 X 1 1/4,GR5,	
34	1465954		NUT,HEX HD,5/16-18,LK,NYLON INSERT,YEL	
35	1674811	5	TIE,CABLE,NYLON,PANDUIT NO. PTL2I-C30	
36	2051902		SEALANT,SILICONE,BLACK,CARTRIDGE	

Models: A3FE, C3FE
PARKING BRAKE
AT545
With: FEATURE 40071
BSN: From CSN 10015970 10/26/98

Key	PartNumber	Qty	Description	Comment
-----	------------	-----	-------------	---------



Models: A3FE, C3FE
PARKING BRAKE
AT545
With: FEATURE 40071
BSN: From CSN 10015970 10/26/98

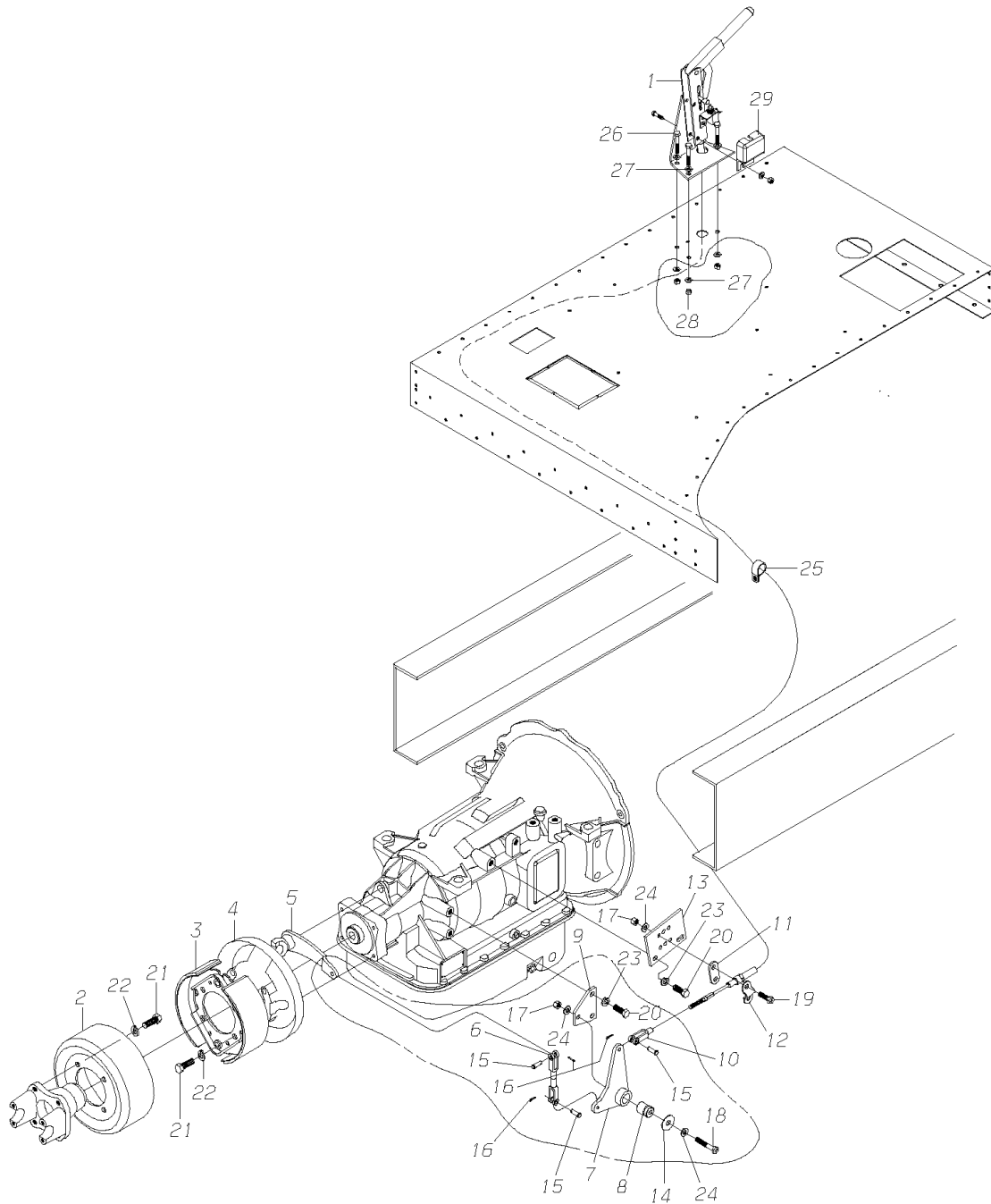
Key	PartNumber	Qty	Description	Comment
1	0004581		LEVER ASSY,PARKING BRAKE,HAND OPERATED	ENDING WITH CSN 10/31/99
1	0016666		LEVER ASSY,PARKING BRAKE,HAND OPERATED	BEGIN WITH CSN 11/01/99
NI	0016307		SWITCH,MOMENTARY,SPST NC	
2	1319631	1	DRUM PARKING BRAKE	
3	1798057	1	BRAKE ASSY,PARKING,BENDIX	
4	1540400	1	SHIELD,PARKING BRAKE,TCFC	
5	1319607	1	LEVER,PARKING BRAKE ASSY,BOSCH	
6	1628296	1	YOKE,PARKING BRAKE,QBFC/TCFC	
7	1444892	1	BELLCRANK ASSY,PARKING BRAKE,TCFC	
8	1317429	1	SPACER,PARKING BRAKE LINKAGE,TCFC	
9	1317437	1	BRACKET,MTG,PARKING BRAKE LINK,TCFC	
10	1317502	1	YOKE,PARKING BRAKE,CLEVELAND 2708-3A	
11	1443258	1	SPACER,LINK,ORSCHELN 8100131	
12	1443241	1	CLAMP,CABLE,ORSCHELN 81000108	
13	1500479	1	BRACKET,MTG,PARKING BRAKE CABLE,TCFC	
14	0560748	1	WASHER,FLAT,15/32 X 1 1/2 X 3/32,HDN,BLK	
15	1319573	3	PIN,CLEVIS,5/16,CLEVELAND 2708 1/2-3A	
16	2028199	3	PIN,COTTER,1/16 X 1	
17	0826297	2	NUT,HEX HD,3/8-16 LOCK,YEL ZN DICH	
18	0870451	1	CAPSCREW,HEX HD,3/8-16X 2 1/2,GR8,	
19	0803213	2	CAPSCREW,HEX HD,3/8-16X1 1/4,GR8,YEL	
20	0801936	4	CAPSCREW,HEX HD,7/16-14X1 1/4,GR8,	
21	0803239	8	CAPSCREW,HEX HD,1/2-13 X1 1/2,GR8	

Models: A3FE, C3FE
PARKING BRAKE
AT545
With: FEATURE 40071
BSN: From CSN 10015970 10/26/98

Key	PartNumber	Qty	Description	Comment
22	2001212	8	LOCKWASHER,SPLIT RING, 1/2 ,LHT,YEL ZN	
23	2001204	4	LOCKWASHER,SPLIT RING, 7/16,LHT,YEL ZN	
24	1107085	4	WASHER,FLAT,13/32 X 13/16 X 3/32,HDN,BLK	
25	0557710	1	CLAMP,LOOP,.812	
26	1032309	3	CAPSCREW,HEX HD,5/16-18X 2,GR 5,YEL ZN	
27	1167485	6	WASHER,FLAT,11/32 X 11/16 X 5/64,HDN,BLK	
28	1480433	3	NUT,HEX HD,5/16-18,FLG PRVG TORQ,GR F,	
29	1479708	1	COVER,PARKING BRAKE SWITCH	

Models: A3FE, C3FE
PARKING BRAKE
AT545
With: FEATURE 40071
BSN: From CSN 10015970 10/26/98

Key	PartNumber	Qty	Description	Comment
-----	------------	-----	-------------	---------



Models: A3FE, C3FE
PARKING BRAKE
AT545
With: FEATURE 40071
BSN: From CSN 10015970 10/26/98

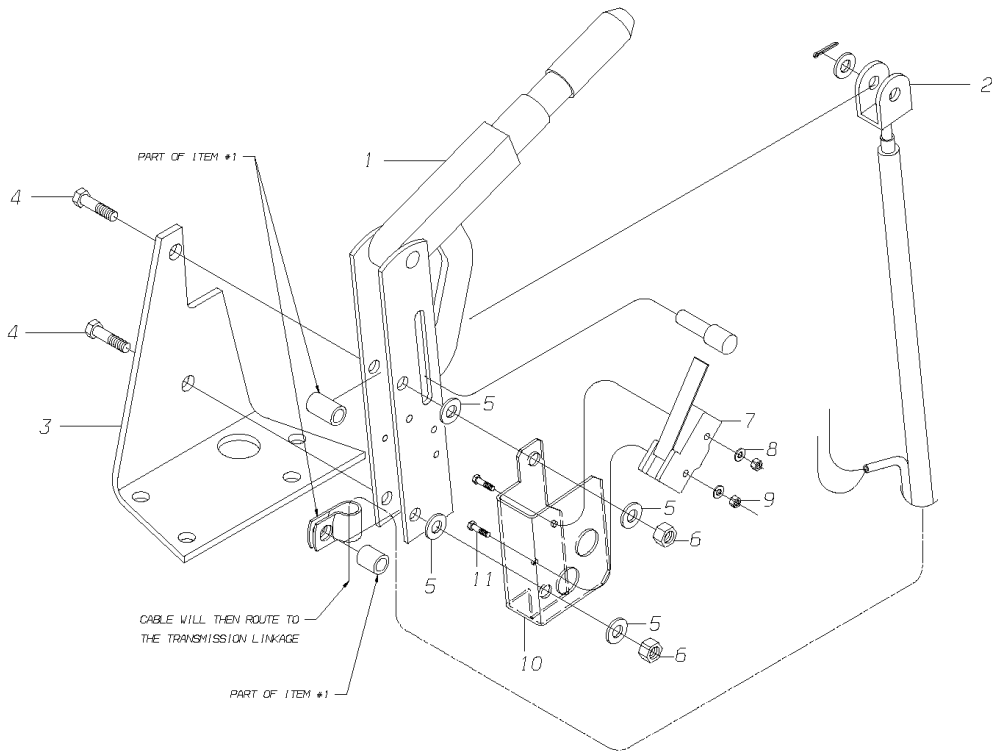
Key	PartNumber	Qty	Description	Comment
1	0016666		LEVER ASSY,PARKING BRAKE,HAND OPERATED	BEGIN WITH CSN F-30044470
NI	0016307		SWITCH,MOMENTARY,SPST NC	
2	1319631	1	DRUM PARKING BRAKE	
3	1798057	1	BRAKE ASSY,PARKING,BENDIX	
4	1540400	1	SHIELD,PARKING BRAKE,TCFC	
5	1319607	1	LEVER,PARKING BRAKE ASSY,BOSCH	
6	1628296	1	YOKE,PARKING BRAKE,QBFC/TCFC	
7	1444892	1	BELLCRANK ASSY,PARKING BRAKE,TCFC	
8	1317429	1	SPACER,PARKING BRAKE LINKAGE,TCFC	
9	1317437	1	BRACKET,MTG,PARKING BRAKE LINK,TCFC	
10	1317502	1	YOKE,PARKING BRAKE,CLEVELAND 2708-3A	
11	1443258	1	SPACER,LINK,ORSCHELN 8100131	
12	1443241	1	CLAMP,CABLE,ORSCHELN 81000108	
13	1500479	1	BRACKET,MTG,PARKING BRAKE CABLE,TCFC	
14	0560748	1	WASHER,FLAT,15/32 X 1 1/2 X 3/32,HDN,BLK	
15	1319573	3	PIN,CLEVIS,5/16,CLEVELAND 2708 1/2-3A	
16	2028199	3	PIN,COTTER,1/16 X 1	
17	0826297	2	NUT,HEX HD,3/8-16 LOCK,YEL ZN DICH	
18	0870451	1	CAPSCREW,HEX HD,3/8-16X 2 1/2,GR8,	
19	0803213	2	CAPSCREW,HEX HD,3/8-16X1 1/4,GR8,YEL	
20	0801936	4	CAPSCREW,HEX HD,7/16-14X1 1/4,GR8,	
21	0803239	8	CAPSCREW,HEX HD,1/2-13 X1 1/2,GR8	
22	2001212	8	LOCKWASHER,SPLIT RING, 1/2 ,LHT,YEL ZN	

Models: A3FE, C3FE
PARKING BRAKE
AT545
With: FEATURE 40071
BSN: From CSN 10015970 10/26/98

Key	PartNumber	Qty	Description	Comment
23	2001204	4	LOCKWASHER,SPLIT RING, 7/16,LHT,YEL ZN	
24	1107085	4	WASHER,FLAT,13/32 X 13/16 X 3/32,HDN,BLK	
25	0557710	1	CLAMP,LOOP,.812	
26	1032309	3	CAPSCREW,HEX HD,5/16-18X 2,GR 5,YEL ZN	
27	1167485	6	WASHER,FLAT,11/32 X 11/16 X 5/64,HDN,BLK	
28	1480433	3	NUT,HEX HD,5/16-18,FLG PRVG TORQ,GR F,	
29	1479708	1	COVER,PARKING BRAKE SWITCH	<i>BEGIN WITH CSN 30040830</i>

Models: A3FE, C3FE
**PARKING BRAKE
 LEVER ASSY
 LH HAND OPERATED
 RH MOUNTED**

Key	PartNumber	Qty	Description	Comment
-----	------------	-----	-------------	---------

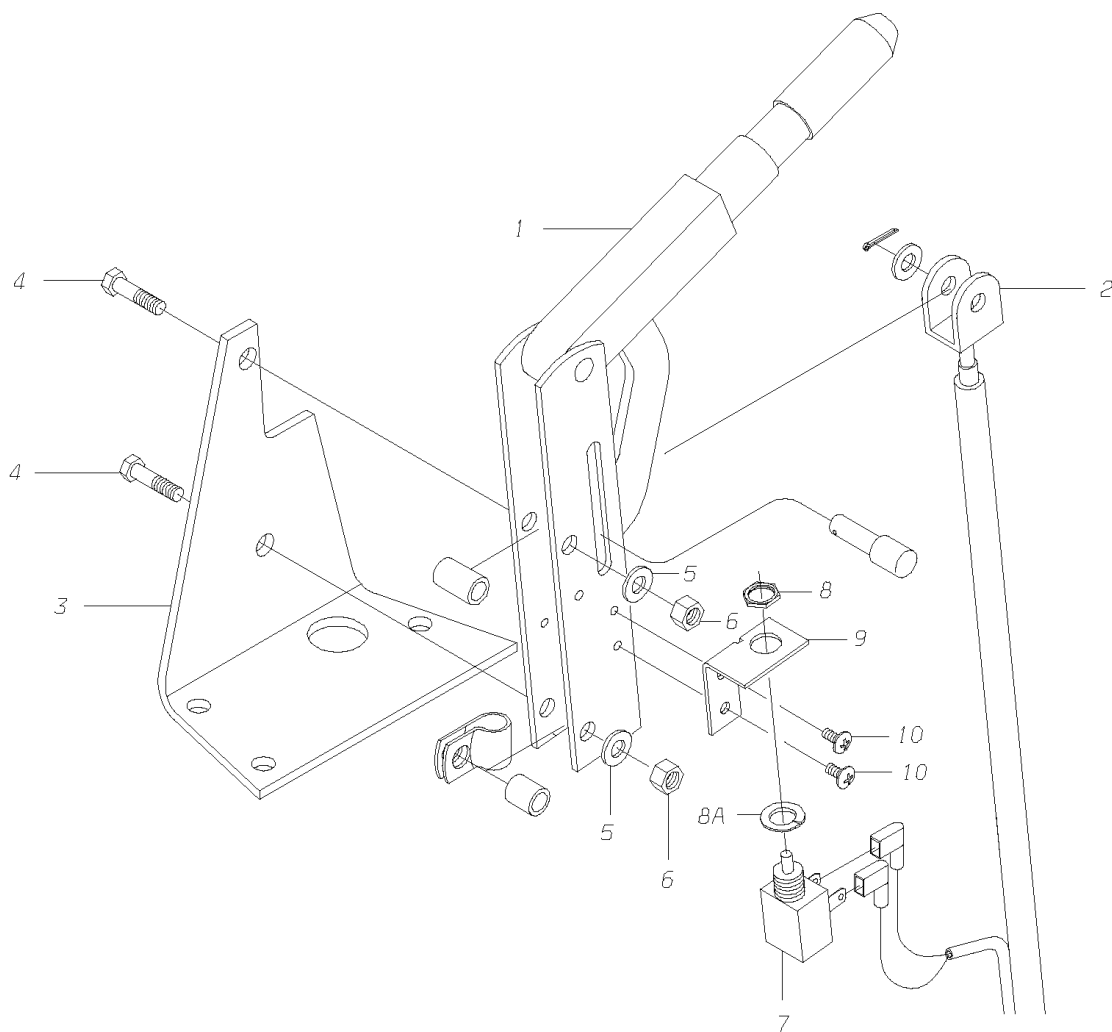


Models: A3FE, C3FE
**PARKING BRAKE
 LEVER ASSY
 LH HAND OPERATED
 RH MOUNTED**

Key	PartNumber	Qty	Description	Comment
1	0004582		LEVER,PARKING,BRAKE,ORSCHELN,01309400,	
2	1443217		CABLE ASSY,PARK,BRK,HYDRAULIC,15611600	
3	0016665		BRACKET,MTG,HAND BRAKE LEVER,FE	
4	0899112	2	CAPSCREW,HEX HD,5/16-18X1 3/4,GR5,	
5	1167485	2	WASHER,FLAT,11/32 X 11/16 X 5/64,HDN,BLK	
6	1981844	2	NUT,HEX HD,5/16-18,LOCK,YEL DICH	
7	0060350		SWITCH,SERVICE,HYD PARK BRAKE,OMRON A	
8	2001162	2	LOCKWASHER,SPLIT RING, 3/16,MED,YEL ZN	
9	1711191	2	NUT,HEX HD,6-32,YEL ZN DICH	
10	0058334		BRACKET,SERVICE,PARK BRAKE SWITCH	
11	1711183	2	SCREW,MACH 6-32 X 1,PH1,PAN HD,YEL ZN	

Models: A3FE, C1FE, C3FE, CSFE, TCFE
PARKING BRAKE
LEVER ASSY, HAND OPERATED
BSN: From CSN 30043335 11/01/99

Key	PartNumber	Qty	Description	Comment
-----	------------	-----	-------------	---------




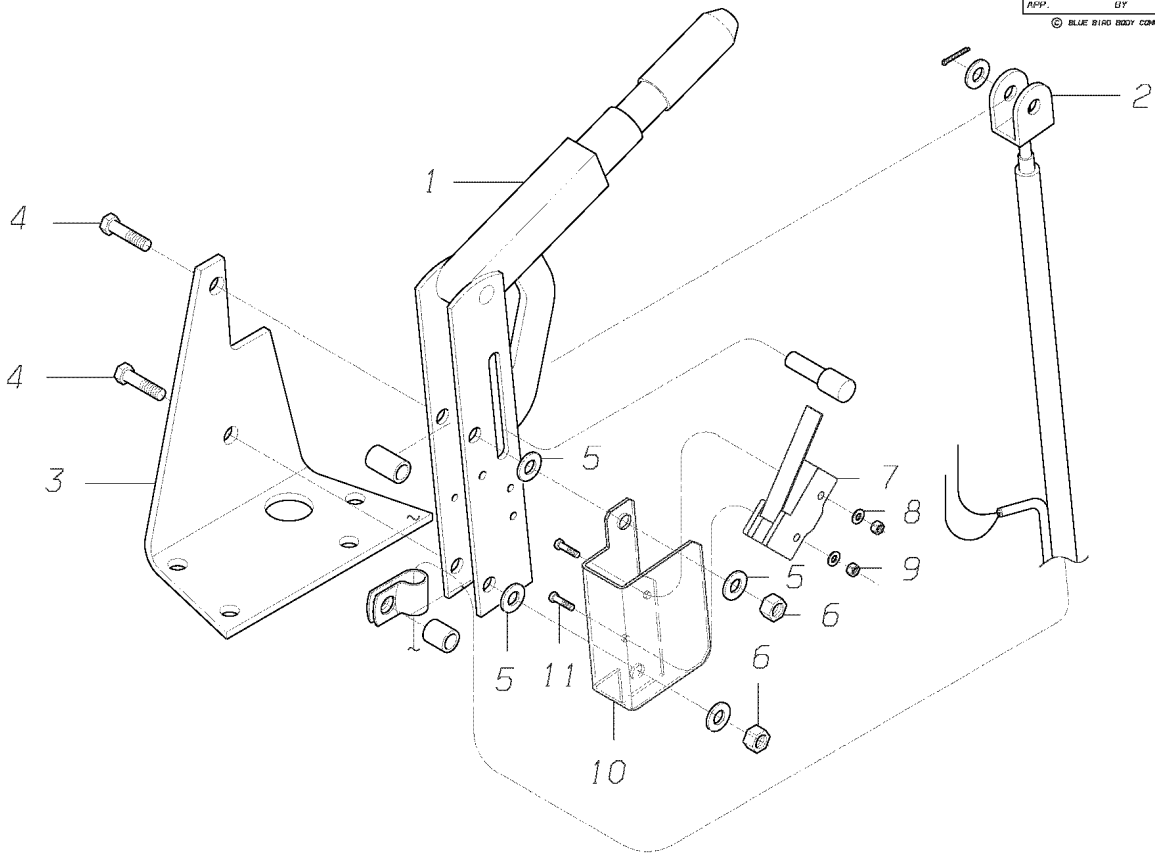
Models: A3FE, C1FE, C3FE, CSFE, TCFE
**PARKING BRAKE
 LEVER ASSY, HAND OPERATED**
BSN: From CSN 30043335 11/01/99

Key	PartNumber	Qty	Description	Comment
1	0004582	1	LEVER,PARKING,BRAKE,ORSCHELN,01309400,	
2	1443217	1	CABLE ASSY,PARK,BRK,HYDRAULIC,15611600	
3	0016665	1	BRACKET,MTG,HAND BRAKE LEVER,FE	
4	0899112	2	CAPSCREW,HEX HD,5/16-18X1 3/4,GR5,	
5	1167485	2	WASHER,FLAT,11/32 X 11/16 X 5/64,HDN,BLK	
6	0829390	2	NUT,HEX HD,5/16-18,SER WASHER,YEL ZN	
7	0016307	1	SWITCH,MOMENTARY,SPST NC	
8		1	NPN SUPPLIED WITH ITEM NO. 7	
8A		1	NPN SUPPLIED WITH ITEM NO. 7	
9	0004281	1	BRACKET,MTG,PARK BRAKE SWITCH,HD	
10	1334689	2	SCREW,10-32 X 3/8,F,PH1,PAN HD,YEL ZN DICH	

Models: A3FE, C3FE
**PARKING BRAKE
 LEVER ASSY, RH HAND OPERATED, RH MOUNTED**

Key	PartNumber	Qty	Description	Comment
-----	------------	-----	-------------	---------

DR. 07-08-04	BY MR		0075844	
APP.	UY	FRT		REV
© BLUE BIRD BODY COMPANY. ALL RIGHTS RESERVED				

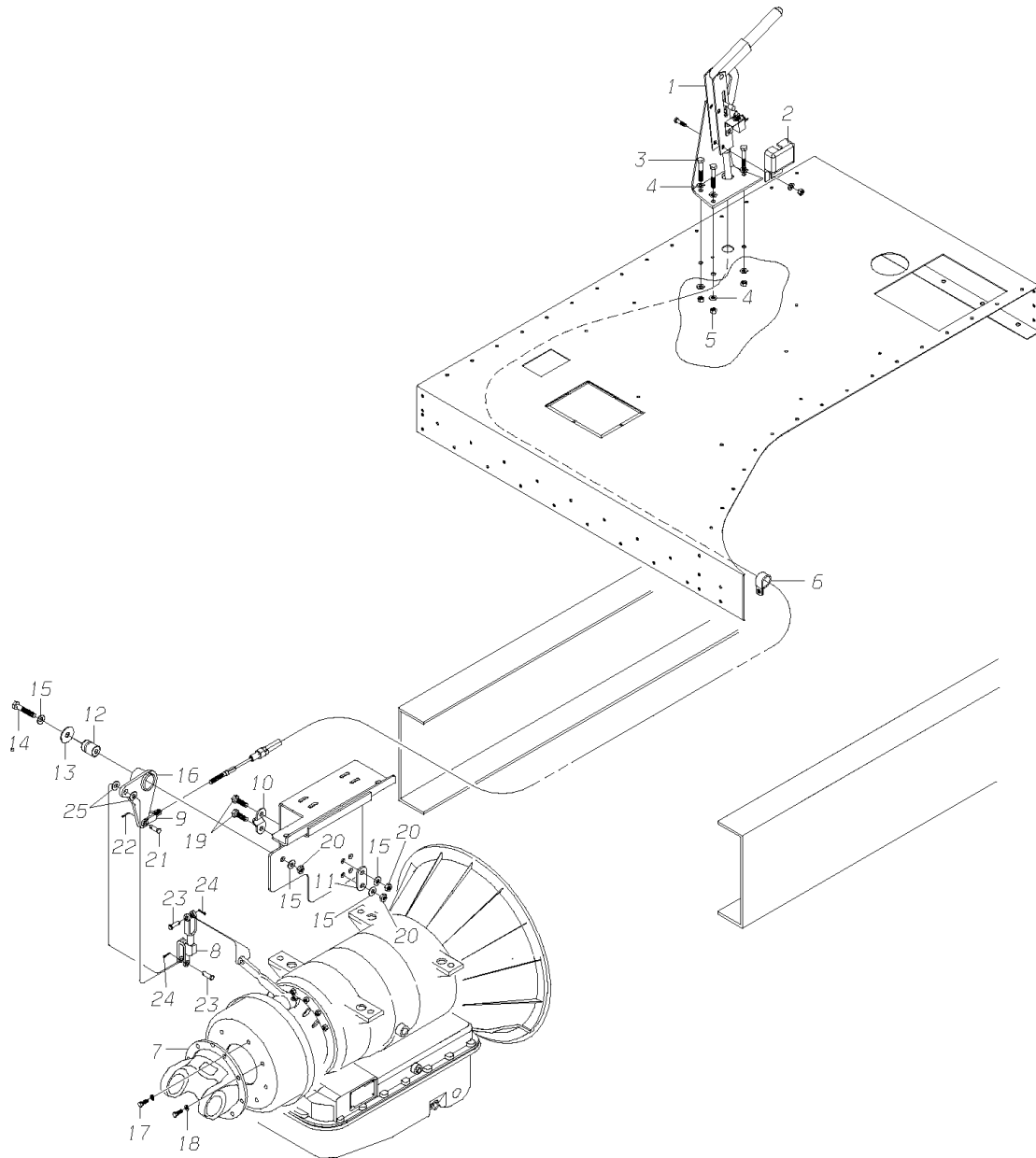



**Models: A3FE, C3FE
 PARKING BRAKE
 LEVER ASSY, RH HAND OPERATED, RH MOUNTED**

Key	PartNumber	Qty	Description	Comment
1	0004582		LEVER,PARKING,BRAKE,ORSCHELN,01309400,	
2	0075845		CABLE,ASSY,PARK BRK,HYDRAULIC,W/40049	
3	0016665		BRACKET,MTG,HAND BRAKE LEVER,FE	
4	0899112	2	CAPSCREW,HEX HD,5/16-18X1 3/4,GR5,	
5	1167485	2	WASHER,FLAT,11/32 X 11/16 X 5/64,HDN,BLK	
6	0829390	2	NUT,HEX HD,5/16-18,SER WASHER,YEL ZN	
7	0060350		SWITCH,SERVICE,HYD PARK BRAKE,OMRON A	
8	2001162	2	LOCKWASHER,SPLIT RING, 3/16,MED,YEL ZN	
9	1711191	2	NUT,HEX HD,6-32,YEL ZN DICH	
10	0058334		BRACKET,SERVICE,PARK BRAKE SWITCH	
11	1711183	2	SCREW,MACH 6-32 X 1,PH1,PAN HD,YEL ZN	

Models: A3FE, C3FE
PARKING BRAKE
MD3060
With: FEATURE 40071
BSN: From CSN 11/04

Key	PartNumber	Qty	Description	Comment
-----	------------	-----	-------------	---------



Models: A3FE, C3FE
PARKING BRAKE
MD3060
With: FEATURE 40071
BSN: From CSN 11/04

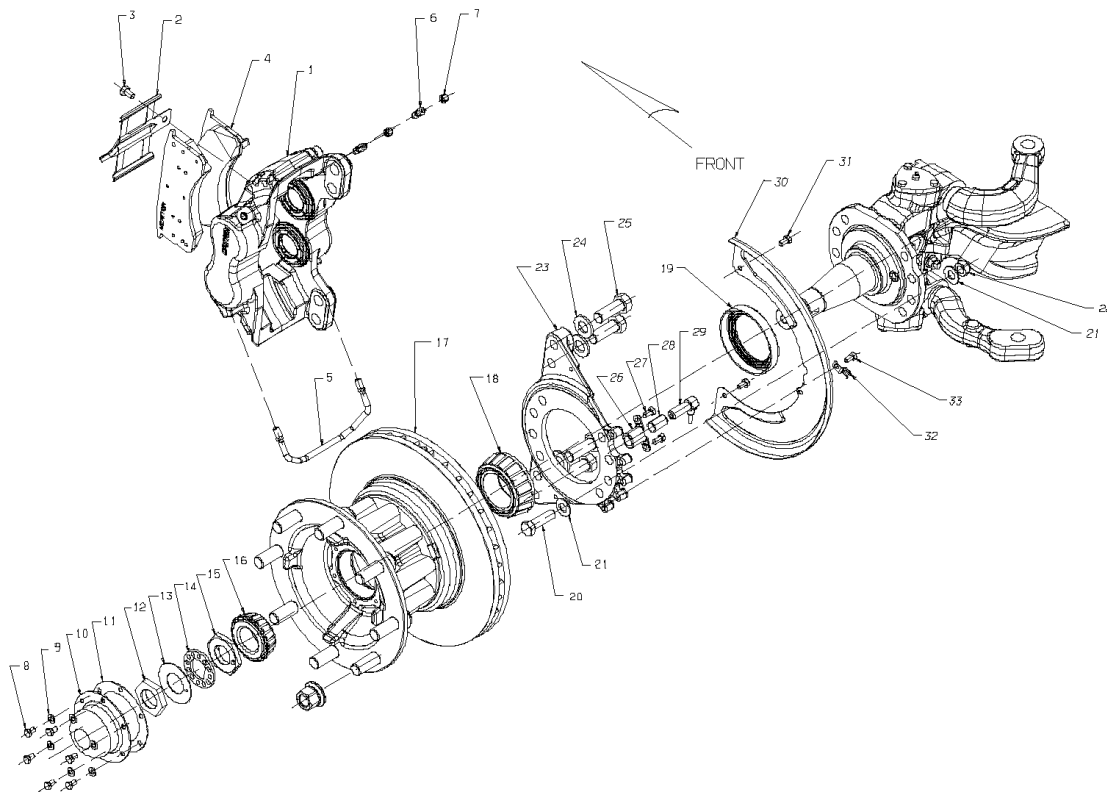
Key	PartNumber	Qty	Description	Comment
1	0004581		LEVER ASSY,PARKING BRAKE,HAND OPERATED	ENDING WITH CSN 10/31/99
1	0016666		LEVER ASSY,PARKING BRAKE,HAND OPERATED	FROM CSN 11/01/99 TO CSN 10/31/04
1	0076785		LEVER,ASSY,PARKING BRAKE,LH OPERATED	BEGIN WITH CSN 11/01/04
1	0075844		LEVER,ASSY,PARK BRK,HAND OPER,W/40049	WITH FEATURE 40049-03 BEGIN WITH CSN 11/01/04
NI	0016307		SWITCH,MOMENTARY,SPST NC	ENDING 7-18-04
2	1479708		COVER,PARKING BRAKE SWITCH	
3	1032309	3	CAPSCREW,HEX HD,5/16-18X 2,GR 5,YEL ZN	
4	1167485	6	WASHER,FLAT,11/32 X 11/16 X 5/64,HDN,BLK	
5	1480433	3	NUT,HEX HD,5/16-18,FLG PRVG TORQ,GR F,	
6	0557710		CLAMP,LOOP,.812	WITHOUT FEATURE 40049-03
7	1926633		YOKE,FLANGE,5-2-709,1710 FACE & 1610	WITH ALL EXCEPT 40187 -13
7	0003423		YOKE,FLANGE,1710,6.438 PILOT	WITH 40187-13 ONLY
8	1927938		YOKE,FINAL ASSY,W/PRKG BRK & MD3060	
9	1317502		YOKE,PARKING BRAKE,CLEVELAND 2708-3A	
10	1443241		CLAMP,CABLE,ORSCHLN 81000108	
11	1443258		SPACER,LINK,ORSCHLN 8100131	
12	1317429		SPACER,PARKING BRAKE LINKAGE,TCFC	
13	0560748		WASHER,FLAT,15/32 X 1 1/2 X 3/32,HDN,BLK	
14	0870451		CAPSCREW,HEX HD,3/8-16X 2 1/2,GR8,	
15	1107085	4	WASHER,FLAT,13/32 X 13/16 X 3/32,HDN,BLK	
16	1926088		BELLCRANK ASSY,PARKING BRAKE,MD3060,	
17	1139591	8	CAPSCREW,HEX HD,3/8-24X1 1/2,GR8,YEL	
18	0882795	8	LOCKWASHER,SPLIT RING,3/8,MED,YELLOW	

Models: A3FE, C3FE
PARKING BRAKE
MD3060
With: FEATURE 40071
BSN: From CSN 11/04

Key	PartNumber	Qty	Description	Comment
19	0803213	2	CAPSCREW,HEX HD,3/8-16X1 1/4,GR8,YEL	
20	0826297	2	NUT,HEX HD,3/8-16 LOCK,YEL ZN DICH	
21	1319573		PIN,CLEVIS,5/16,CLEVELAND 2708 1/2-3A	
22	2008860		PIN,COTTER,3/32 X 1,YEL ZN DICH	
23	2008845	2	PIN,CLEVIS,1/2 DIA X 1 15/16,YEL ZN DICH	
24	2008878	2	PIN,COTTER,DRIVERS SEAT,1/8X1 1/2	
25	1003045	6	WASHER,FLAT,17/32 X 1 1/16 X 7/64,HDN,	
26	0971978		NUT,HEX HD,5/16,YELLOW DICHROMATE	
27	1926054		BRACKET ASSY,MOUNTING,PARK BRAKE,	
28	1165265		WASHER,FLAT,9/16,X 1 3/8 X 7/64,YEL ZNDICH	
29	0803148	2	CAPSCREW,HEX HD,1/2-13 X 1 3/4,GR8,	
30	0850800	2	NUT,HEX HD,1/2-13,LOCKING,GR 8,CAD WAX	
31	1501097		BRACKET,ATCH,BRAKE LINE TO FRAME	WITHOUT FEATURE 40049-03
32	0056715		CAPSCREW,HEX HD,5/16-18 X 1 1/4,GR5,	WITHOUT FEATURE 40049-03
33	1465954		NUT,HEX HD,5/16-18,LK,NYLON INSERT,YEL	WITHOUT FEATURE 40049-03
34	1674811	5	TIE,CABLE,NYLON,PANDUIT NO. PTL2I-C30	
35	2051902		SEALANT,SILICONE,BLACK,CARTRIDGE	

Models: A3FE, C3FE, CSFE, TCFE
WHEEL END COMPONENTS
FRONT, HUB PILOTED DISC WHEELS
MERITOR, ALUMN WHEELS
BSN: From CSN 30046776 11/05/01

Key	PartNumber	Qty	Description	Comment
-----	------------	-----	-------------	---------



Models: A3FE, C3FE, CSFE, TCFE
WHEEL END COMPONENTS
FRONT, HUB PILOTED DISC WHEELS
MERITOR, ALUMN WHEELS
BSN: From CSN 30046776 11/05/01

Key	PartNumber	Qty	Description	Comment
1	0046191	1	CALIPER ASSY,LESS PADS,LH,70 MM,DAYTON"	
1	0046193	1	CALIPER ASSY,LESS PADS,RH,70 MM,DAYTON	
NI	0046184		PISTON,70 MM,DAYTON"	70MM
NI	0046186		BOOT & SEAL,70 MM,DAYTON"	70MM
			CALIPER ASSEMBLY, 64MM	
	0046190	1	CALIPER ASSY,LESS PADS,LH,64 MM,DAYTON	
	0046192	1	CALIPER ASSY,LESS PADS,RH,64MM,DAYTON"	
NI	0046183		PISTON,64 MM,DAYTON	64MM
NI	0046185		BOOT & SEAL,64 MM,DAYTON"	64MM
2			KIT, SPRING, RETENTION	
3			KIT, SCREW, SPRING, RETENTION	
NI	0046187	2	KIT,HARWARE,64/70 MM,DAYTON"	INCLUDES ITEMS 2, 3
4	0046182	2	PADS,BRAKE,64/70 MM,DAYTON"	
4	0066148	2	PAD,BRAKE,KIT,HYD DISC,769 PREM,BENDIX	
5	0046189	2	TUBE,CALIPER,CROSSOVER,64/70 MM,DAYTON"	
6	0046188	4	BLEEDER SCREW,64/70 MM,DAYTON"	
7			KIT, CAP, SCREW, BLEEDER	
8			KIT, CAPSCREW, HUBCAP	
9			KIT, LOCKWASHER, SPLIT RING	
10			KIT, HUBCAP	
	0014891	2	HUBCAP ASSY,STEER AXLE,GREASE,4.50 B.C.	
	0014892	2	HUBCAP ASSY,STEER AXLE,OIL LUBE,4.50 B.C.	
11	2602449	2	GASKET,FRONT HUBCAP,RKWL	

Models: A3FE, C3FE, CSFE, TCFE
WHEEL END COMPONENTS
FRONT, HUB PILOTED DISC WHEELS
MERITOR, ALUMN WHEELS
BSN: From CSN 30046776 11/05/01

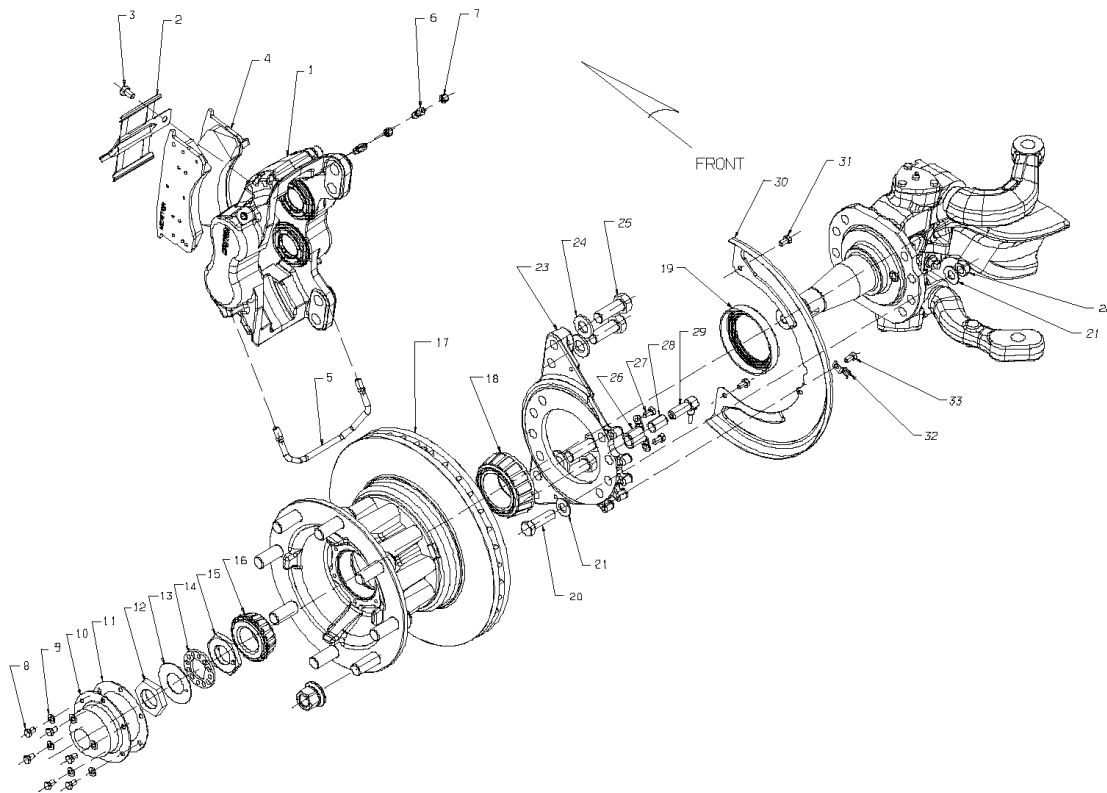
Key	PartNumber	Qty	Description	Comment
12			KIT, NUT, SPINDLE, OUTER	
13			KIT, WASHER, SPINDLE, OUTER	
14			KIT, WASHER, SPINDLE, INNER	
15			KIT, NUT, SPINDLE, INNER	
NI	0048519	2	KIT,4 PIECE WHEEL END,MERITOR	
16	0929414	2	BEARING,OUTER,FRONT AXLE	
17	0044668		HUB & ROTOR(NOT SERVICED AS AN ASSY)	
NI	0044682	1	HUB & CUP ASSY,DAYTON 515910,ALUMN WHLS	
NI	2593093	1	CUP,WHEEL BEARING,INNER	
NI	2600179	1	CUP,OUTER WHEEL BEARING	
NI	0044637	10	STUD,SERRATED,M22 X 1.5-6G	
NI	0044651	10	CAPNUT,FLANGED,M22,MERITOR	
NI	0044646	1	ROTOR,SERVICE,COATED,FRONT,MERITOR	
18	0929406	2	BEARING,INNER,FRONT AXLE,TIMKEN	
19	0044733	2	SEAL,INNER,OIL"	
20	0044783	16	CAPSCREW	
21	0929018	32	WASHER,FLAT,21/32 X 1 1/8 X 3/32,HDN,YEL	
22	2596591	16	NUT	
23	0044723	1	PLATE,TORQUE,LH"	
23	0044724	1	PLATE,TORQUE,RH"	
24	0044737	8	WASHER	
25	0044736	8	CAPSCREW	
26	0006390	2	BRACKET ASSY,MTG,SENSOR,HYDRAULIC	

Models: A3FE, C3FE, CSFE, TCFE
WHEEL END COMPONENTS
FRONT, HUB PILOTED DISC WHEELS
MERITOR, ALUMN WHEELS
BSN: From CSN 30046776 11/05/01

Key	PartNumber	Qty	Description	Comment
27	0006656	4	CAPSCREW,EXTERNAL TORX,5/16-18X.50,SAE	
28	1542471	2	SLEEVE,CLAMP,NOTCHED,HUB SENSOR,ABS	
29	0006679	2	SENSOR,ABS,90 DEGREE,HYD BRK	
30	0044780	2	DUSTSHIELD,HYDRAULIC BRAKES	
31	0044779	4	CAPSCREW	
32	0044781	2	CLIP	
33	0044779	2	CAPSCREW	

Models: A3FE, C3FE, CSFE, TCFE
WHEEL END COMPONENTS
FRONT, HUB PILOTED DISC WHEELS
MERITOR, STEEL WHEELS
BSN: From CSN 30046776 11/05/01

Key	PartNumber	Qty	Description	Comment
-----	------------	-----	-------------	---------



Models: A3FE, C3FE, CSFE, TCFE
WHEEL END COMPONENTS
FRONT, HUB PILOTED DISC WHEELS
MERITOR, STEEL WHEELS
BSN: From CSN 30046776 11/05/01

Key	PartNumber	Qty	Description	Comment
1	0046191	1	CALIPER ASSY,LESS PADS,LH,70 MM,DAYTON"	
1	0046193	1	CALIPER ASSY,LESS PADS,RH,70 MM,DAYTON	
NI	0046184		PISTON,70 MM,DAYTON"	70MM
NI	0046186		BOOT & SEAL,70 MM,DAYTON"	70MM
			CALIPER ASSEMBLY, 64MM	
	0046190	1	CALIPER ASSY,LESS PADS,LH,64 MM,DAYTON	
	0046192	1	CALIPER ASSY,LESS PADS,RH,64MM,DAYTON"	
NI	0046183		PISTON,64 MM,DAYTON	64MM)
NI	0046185		BOOT & SEAL,64 MM,DAYTON"	64MM
2			KIT, SPRING, RETENTION	
3			KIT, SCREW, SPRING, RETENTION	
NI	0046187	2	KIT,HARWARE,64/70 MM,DAYTON"	INCLUDES ITEMS 2, 3
4	0046182	2	PADS,BRAKE,64/70 MM,DAYTON"	
4	0066148	2	PAD,BRAKE,KIT,HYD DISC,769 PREM,BENDIX	
5	0046189	2	TUBE,CALIPER,CROSSOVER,64/70 MM,DAYTON"	
6	0046188	4	BLEEDER SCREW,64/70 MM,DAYTON"	
7			KIT, CAP, SCREW, BLEEDER	
8			KIT, CAPSCREW, HUBCAP	
9			KIT, LOCKWASHER, SPLIT RING	
10			KIT, HUBCAP	
	0014891	2	HUBCAP ASSY,STEER AXLE,GREASE,4.50 B.C.	
	0014892	2	HUBCAP ASSY,STEER AXLE,OIL LUBE,4.50 B.C.	
11	2602449	2	GASKET,FRONT HUBCAP,RKWL	

Models: A3FE, C3FE, CSFE, TCFE
WHEEL END COMPONENTS
FRONT, HUB PILOTED DISC WHEELS
MERITOR, STEEL WHEELS
BSN: From CSN 30046776 11/05/01

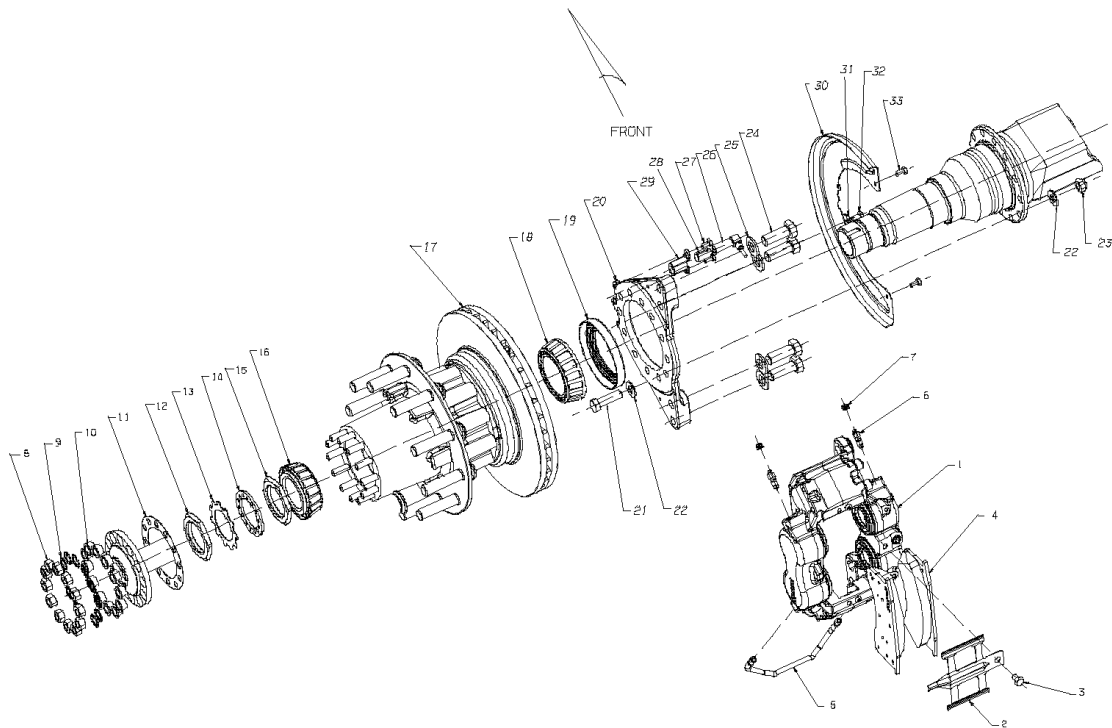
Key	PartNumber	Qty	Description	Comment
12			KIT, NUT, SPINDLE, OUTER	
13			KIT, WASHER, SPINDLE, OUTER	
14			KIT, WASHER, SPINDLE, INNER	
15			KIT, NUT, SPINDLE, INNER	
NI	0048519	2	KIT,4 PIECE WHEEL END,MERITOR	
16	0929414	2	BEARING,OUTER,FRONT AXLE	
17	0043895		HUB AND ROTOR ASSY,STEER,STEEL WHEELS	
NI	0044681	1	HUB & CUP ASSY,DAYTON 515910,STL WHLS"	
NI	2593093	1	CUP,WHEEL BEARING,INNER	
NI	2600179	1	CUP,OUTER WHEEL BEARING	
NI	0044641	10	STUD,SERRATED,M22 X 1.5-6G	
NI	0044651	10	CAPNUT,FLANGED,M22,MERITOR	
NI	0044646	1	ROTOR,SERVICE,COATED,FRONT,MERITOR	
18	0929406	2	BEARING,INNER,FRONT AXLE,TIMKEN	
19	0044733	2	SEAL,INNER,OIL"	
20	0044783	16	CAPSCREW	
21	0929018	32	WASHER,FLAT,21/32 X 1 1/8 X 3/32,HDN,YEL	
22	2596591	16	NUT	
23	0044723	1	PLATE,TORQUE,LH"	
23	0044724	1	PLATE,TORQUE,RH"	
24	0044737	8	WASHER	
25	0044736	8	CAPSCREW	
26	0006390	2	BRACKET ASSY,MTG,SENSOR,HYDRAULIC	

Models: A3FE, C3FE, CSFE, TCFE
WHEEL END COMPONENTS
FRONT, HUB PILOTED DISC WHEELS
MERITOR, STEEL WHEELS
BSN: From CSN 30046776 11/05/01

Key	PartNumber	Qty	Description	Comment
27	0006656	4	CAPSCREW,EXTERNAL TORX,5/16-18X.50,SAE	
28	1542471	2	SLEEVE,CLAMP,NOTCHED,HUB SENSOR,ABS	
29	0006679	2	SENSOR,ABS,90 DEGREE,HYD BRK	
30	0044780	2	DUSTSHIELD,HYDRAULIC BRAKES	
31	0044779	4	CAPSCREW	
32	0044781	2	CLIP	
33	0044779	2	CAPSCREW	

Models: A3FE, C3FE, CSFE, TCFE
WHEEL END COMPONENTS
REAR, HUB PILOTED DISC WHEELS
MERITOR, ALUMN WHEELS
BSN: From CSN 30046776 11/05/01

Key	PartNumber	Qty	Description	Comment
-----	------------	-----	-------------	---------



Models: A3FE, C3FE, CSFE, TCFE
WHEEL END COMPONENTS
REAR, HUB PILOTED DISC WHEELS
MERITOR, ALUMN WHEELS
BSN: From CSN 30046776 11/05/01

Key	PartNumber	Qty	Description	Comment
1	0046191		CALIPER ASSY,LESS PADS,LH,70 MM,DAYTON"	
1	0046193		CALIPER ASSY,LESS PADS,RH,70 MM,DAYTON	
NI	0046184		PISTON,70 MM,DAYTON"	70MM
NI	0046186		BOOT & SEAL,70 MM,DAYTON"	70MM
NI	0046190		CALIPER ASSY,LESS PADS,LH,64 MM,DAYTON	
NI	0046192		CALIPER ASSY,LESS PADS,RH,64MM,DAYTON"	
NI	0046183		PISTON,64 MM,DAYTON	PISTON. 64MM
NI	0046185		BOOT & SEAL,64 MM,DAYTON"	64MM
2			KIT, SPRING, RETENTION	
3			KIT, SCREW, SPRING, RETENTION	
NI	0046187	2	KIT,HARWARE,64/70 MM,DAYTON"	INCLUDES ITEMS 2, 3
4	0046182	2	PADS,BRAKE,64/70 MM,DAYTON"	
4	0066148	2	PAD,BRAKE,KIT,HYD DISC,769 PREM,BENDIX	
5	0046189	2	TUBE,CALIPER,CROSSOVER,64/70 MM,DAYTON"	
6	0046188	4	BLEEDER SCREW,64/70 MM,DAYTON"	
7			KIT, CAP, SCREW, BLEEDER	
8	2594893	16	NUT,AXLE SHAFT	
9	2603512	16	WASHER,AXLE SHAFT	
10	0929091	16	DOWEL,AXLE SHAFT	
11	0043449	2	GASKET	
12	0046240	2	NUT,BEARING,INNER"	
13	0046241	2	WASHER,LOCK,WHEEL END"	
14	0046242	2	WASHER,LOCK,WHEEL END"	

Models: A3FE, C3FE, CSFE, TCFE
WHEEL END COMPONENTS
REAR, HUB PILOTED DISC WHEELS
MERITOR, ALUMN WHEELS
BSN: From CSN 30046776 11/05/01

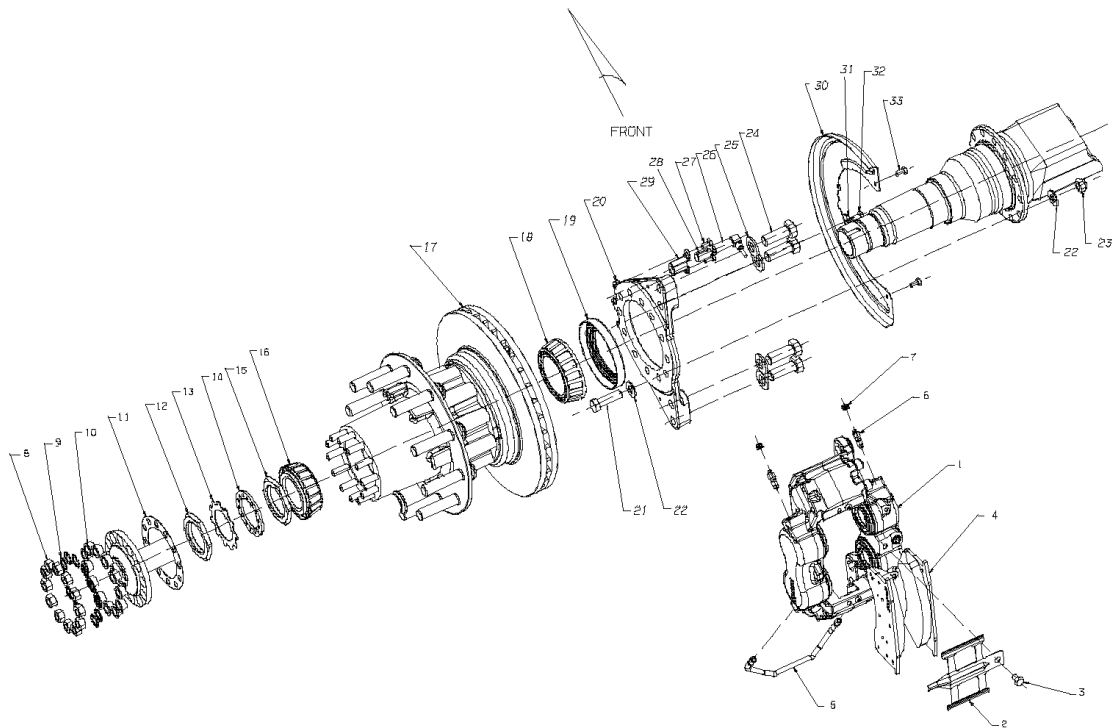
Key	PartNumber	Qty	Description	Comment
15	0046239	2	NUT,BEARING,OUTER"	
16	0929059	2	BEARING,OUTER,AXLE SHAFT,ROCKWELL &	
17	0044663		HUB AND ROTOR ASSY,REAR,ALUM WHEEL	
NI	0044680	1	HUB & CUP ASSY,DAYTON 415943,ALUMN WHLS	
NI	8305336	1	CUP,INNER BEARING	
NI	2603074	1	CUP,BEARING,OUTER	
NI	0044634	10	STUD,SERRATED,M22 X 1.5-6G	
NI	0044651	10	CAPNUT,FLANGED,M22,MERITOR	
NI	0044642	8	STUD,DRIVE,5/8	
NI	0044647	1	ROTOR,SERVICE,COATED,REAR,MERITOR	
18	0929042	2	BEARING,INNER,REAR AXLE	
19	0043448	2	SEAL ASSY,OIL,INNER	
20	0044798	1	PLATE,TORQUE,LH,DAYTON,HYDRAULIC	
20	0044799	1	PLATE,TORQUE,RH,DAYTON,HYDRAULIC	
21	0044802	24	CAPSCREW	
22	2156404	24	WASHER,CHAMBER BRKT,ROCKWELL AIR DISC	
23	0044803	48	NUT,LOCK	
24	0044736	8	CAPSCREW	
25	0044737	8	WASHER	
26	0006679	2	SENSOR,ABS,90 DEGREE,HYD BRK	
27	0006656	4	CAPSCREW,EXTERNAL TORX,5/16-18X.50,SAE	
28	1542471	2	SLEEVE,CLAMP,NOTCHED,HUB SENSOR,ABS	
29	0006390	2	BRACKET ASSY,MTG,SENSOR,HYDRAULIC	

Models: A3FE, C3FE, CSFE, TCFE
WHEEL END COMPONENTS
REAR, HUB PILOTED DISC WHEELS
MERITOR, ALUMN WHEELS
BSN: From CSN 30046776 11/05/01

Key	PartNumber	Qty	Description	Comment
30	0044780	2	DUSTSHIELD, HYDRAULIC BRAKES	
31	0044781	2	CLIP	
32	0044779	2	CAPSCREW	
33	0044779	4	CAPSCREW	

Models: A3FE, C3FE, CSFE, TCFE
WHEEL END COMPONENTS
REAR, HUB PILOTED DISC WHEELS
MERITOR, STEEL WHEELS
BSN: From CSN 30046776 11/05/01

Key	PartNumber	Qty	Description	Comment
-----	------------	-----	-------------	---------



Models: A3FE, C3FE, CSFE, TCFE
WHEEL END COMPONENTS
REAR, HUB PILOTED DISC WHEELS
MERITOR, STEEL WHEELS
BSN: From CSN 30046776 11/05/01

Key	PartNumber	Qty	Description	Comment
1	0046191		CALIPER ASSY,LESS PADS,LH,70 MM,DAYTON"	
1	0046193		CALIPER ASSY,LESS PADS,RH,70 MM,DAYTON	
NI	0046184		PISTON,70 MM,DAYTON"	70MM
NI	0046186		BOOT & SEAL,70 MM,DAYTON"	70MM
NI	0046190		CALIPER ASSY,LESS PADS,LH,64 MM,DAYTON	
NI	0046192		CALIPER ASSY,LESS PADS,RH,64MM,DAYTON"	
NI	0046183		PISTON,64 MM,DAYTON	64MM
NI	0046185		BOOT & SEAL,64 MM,DAYTON"	64MM
2			KIT, SPRING, RETENTION	
3			KIT, SCREW, SPRING, RETENTION	
NI	0046187	2	KIT,HARWARE,64/70 MM,DAYTON"	INCLUDES ITEMS 2, 3
4	0046182	2	PADS,BRAKE,64/70 MM,DAYTON"	
4	0066148	2	PAD,BRAKE,KIT,HYD DISC,769 PREM,BENDIX	
5	0046189	2	TUBE,CALIPER,CROSSOVER,64/70 MM,DAYTON"	
6	0046188	4	BLEEDER SCREW,64/70 MM,DAYTON"	
7			KIT, CAP, SCREW, BLEEDER	
8	2594893	16	NUT,AXLE SHAFT	
9	2603512	16	WASHER,AXLE SHAFT	
10	0929091	16	DOWEL,AXLE SHAFT	
11	0043449	2	GASKET	
12	0046240	2	NUT,BEARING,INNER"	
13	0046241	2	WASHER,LOCK,WHEEL END"	
14	0046242	2	WASHER,LOCK,WHEEL END"	

Models: A3FE, C3FE, CSFE, TCFE
WHEEL END COMPONENTS
REAR, HUB PILOTED DISC WHEELS
MERITOR, STEEL WHEELS
BSN: From CSN 30046776 11/05/01

Key	PartNumber	Qty	Description	Comment
15	0046239	2	NUT,BEARING,OUTER"	
16	0929059	2	BEARING,OUTER,AXLE SHAFT,ROCKWELL &	
17	0043889		HUB AND ROTOR ASSY,REAR,STEEL WHEEL	
NI	0044678	1	HUB & CUP ASSY,DAYTON 415943,STL WHLS	
NI	8305336	1	CUP,INNER BEARING	
NI	2603074	1	CUP,BEARING,OUTER	
NI	0044635	10	STUD,SERRATED,M22 X 1.5-6G	
NI	0044651	10	CAPNUT,FLANGED,M22,MERITOR	
NI	0044642	8	STUD,DRIVE,5/8	
NI	0044647	1	ROTOR,SERVICE,COATED,REAR,MERITOR	
18	0929042	2	BEARING,INNER,REAR AXLE	
19	0043448	2	SEAL ASSY,OIL,INNER	
20	0044798	1	PLATE,TORQUE,LH,DAYTON,HYDRAULIC	
20	0044799	1	PLATE,TORQUE,RH,DAYTON,HYDRAULIC	
21	0044802	24	CAPSCREW	
22	2156404	24	WASHER,CHAMBER BRKT,ROCKWELL AIR DISC	
23	0044803	48	NUT,LOCK	
24	0044736	8	CAPSCREW	
25	0044737	8	WASHER	
26	0006679	2	SENSOR,ABS,90 DEGREE,HYD BRK	
27	0006656	4	CAPSCREW,EXTERNAL TORX,5/16-18X.50,SAE	
28	1542471	2	SLEEVE,CLAMP,NOTCHED,HUB SENSOR,ABS	
29	0006390	2	BRACKET ASSY,MTG,SENSOR,HYDRAULIC	

Models: A3FE, C3FE, CSFE, TCFE
WHEEL END COMPONENTS
REAR, HUB PILOTED DISC WHEELS
MERITOR, STEEL WHEELS
BSN: From CSN 30046776 11/05/01

Key	PartNumber	Qty	Description	Comment
30	0044780	2	DUSTSHIELD, HYDRAULIC BRAKES	
31	0044781	2	CLIP	
32	0044779	2	CAPSCREW	
33	0044779	4	CAPSCREW	