

Chassis**040 Cooling**

ENGINE

CAT 3126B, C7

*With: FEATURE 40187 WITH 40112-01, -02, 40108-01, -02, -03
From 11/04/02*

1

CUMMINS 8.3 ISC

*With: FEATURE 40184 WITH 40112, 40108
From CSN 30124570*

2

RADIATOR SHUTTER

AIR

With: FEATURE 40113-02

3

HYDRAULIC

With: FEATURE 40113-01 WITH 40177, 40184, 40187

4

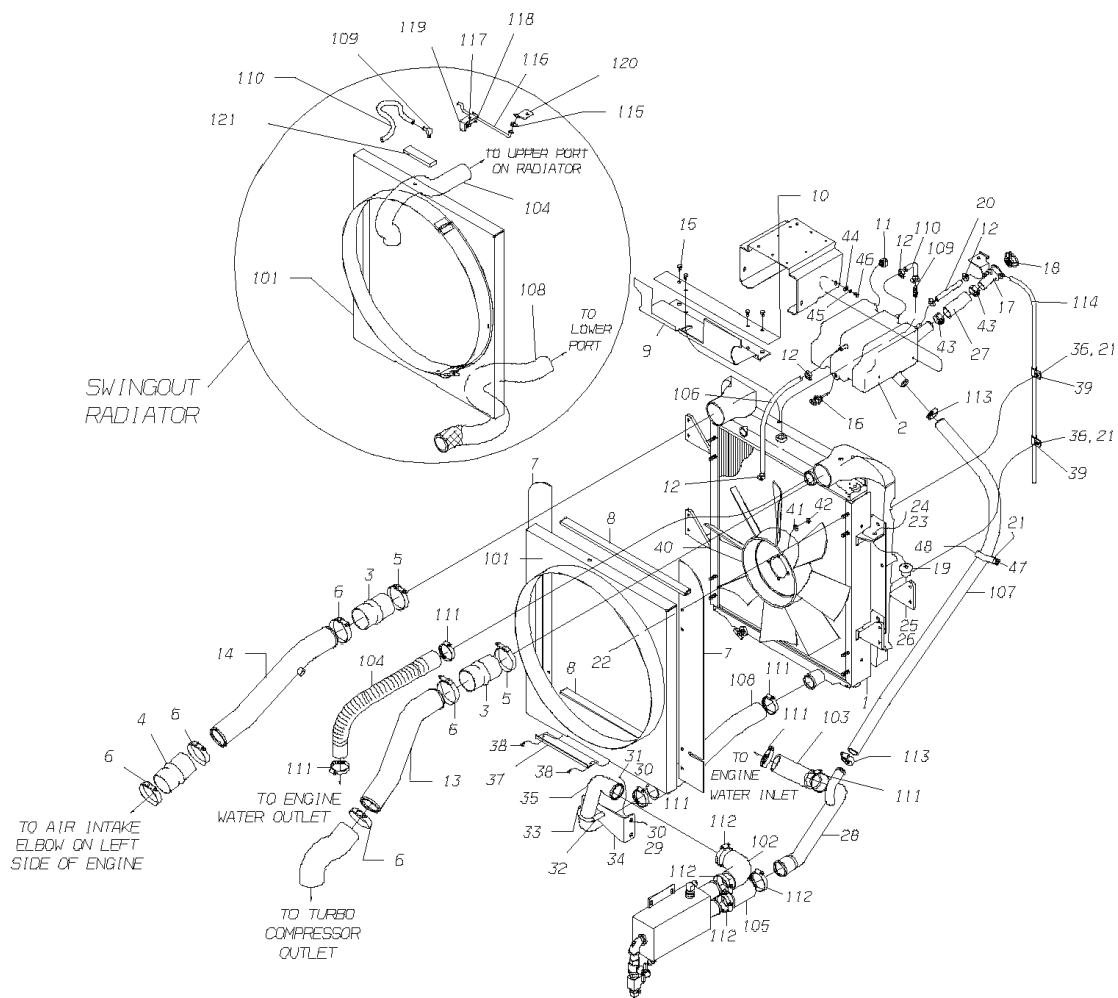
WATER FILTER, PERRY

With: FEATURE 40109-01 WITH 40108-01, -02

5

Models: A3FE, C3FE
ENGINE
CAT 3126B, C7
With: FEATURE 40187 WITH 40112-01, -02, 40108-01, -02, -03
BSN: From 11/04/02

Key	PartNumber	Qty	Description	Comment
-----	------------	-----	-------------	---------



Models: A3FE, C3FE
ENGINE
CAT 3126B, C7
With: FEATURE 40187 WITH 40112-01, -02, 40108-01, -02, -03
BSN: From 11/04/02

Key	PartNumber	Qty	Description	Comment
1	1948066	1	RADIATOR AND CAC ASSY,VALEO, HDFE	CONSISTS OF THE FOLLOWING
NI	0010507	1	RADIATOR ASSY,HDFE 1003471,1948066	RADIATOR ONLY
NI	1453232	1	COOLER ASSY,CHARGE AIR,BLACKSTONE	CHARGE AIR COOLER ONLY
2	0032865	1	TANK,SURGE,6 QUART,HDFE	
3	1487024	1	HOSE,HUMP,REINF,3.5 X 3 ID,FLX 7726	
4	1487016	3	HOSE,HUMP,REINF,3 ID X 5 LG,FLX 7725	
5	1450246	7	CLAMP,SPRING LOADED,3.75 ID,3.56-3.88	
6	1258581	1	CLAMP,SPRING LOADED,3.25 ID,3.06-3.38	
7	1977305	2	SEAL,RADIATOR,HDFE	
8	1068501	1	SEAL,RUBBER,A/C HOOD TRIM	
9	0052319	1	BAFFLE,RADIATOR,UPPER,RUBBER,HDFE	
10	1476829	1	PANEL,C/OUT,RADIATOR-AIR COOLER,TCFC	
11	1146877	1	BULB,WITH O-RING SAFETY SIGHT,NO-241-6R	
12	1363274	5	CLAMP,HOSE,SILICON,.62.00	
13	1949189	1	TUBE,CAC TO TURBO OUTLET,CAT 3126,HDFE	
14	1943950	1	TUBE,CAC TO AIR INLET,CAT C7/3126,HDFE	
15	2000123	4	SCREW,5/16-12 X 1/2,B,HEX HD,YEL ZN DICH"	
16	1644822		SENDER,LOW COOLANT LEVEL	ENDING WITH CSN F0180964
16	1940022		SENDER,LOW COOLANT LEVEL,COOPER	BEGIN WITH CSN F0180965
17	0033762	1	NECK,FILLER.SURGE TANK,HDFE	
18	1325430	1	CAP,RADIATOR,10 PSI,DOUBLE SEAL	
19	1464809	4	ISOLATOR,RUBBER,1.75 OD,450 LBS. SLR	
20	1361468		HOSE,SILICON,.37 ID PUROSIL 80	

Models: A3FE, C3FE
ENGINE
CAT 3126B, C7
With: FEATURE 40187 WITH 40112-01, -02, 40108-01, -02, -03
BSN: From 11/04/02

Key	PartNumber	Qty	Description	Comment
21	0854406	13	CAPSCREW,HEX HD,5/16-18 X 1,GR8,YEL ZN	
22	0829390	13	NUT,HEX HD,5/16-18,SER WASHER,YEL ZN	
23	0803163	4	CAPSCREW,HEX HD,1/2-13 X2 1/2,GR8,	
24	1003045	4	WASHER,FLAT,17/32 X 1 1/16 X 7/64,HDN,	
25	1165265	4	WASHER,FLAT,9/16,X 1 3/8 X 7/64,YEL ZNDICH	
26	0850800	4	NUT,HEX HD,1/2-13,LOCKING,GR 8,CAD WAX	
27	1990076	AR	HOSE,SILICONE,1.25 ID	
28	0041535	2	TUBE,COOLANT,ENGINE TO COOLER,CAT3126E	
29	0803171	2	CAPSCREW,HEXHD,3/8-16NCX1-1/2,GR8,	
30	1107085	4	WASHER,FLAT,13/32 X 13/16 X 3/32,HDN,BLK	
31	0826297	4	NUT,HEX HD,3/8-16 LOCK,YEL ZN DICH	
32	0805226	1	SADDLE,2 IN.,S-200	
33	0805218	1	U-BOLT,2 IN.,UB200	
34	0038639	1	BRACKET,SUPT,LOWER WATER CONNECTION,	
35	1997816	1	TUBE,COOLANT,RADIATOR,LOWER	
36	2001188	1	LOCKWASHER,SPLIT RING, 5/16,MED,YEL ZN	
37	0000014	1	COVER,NOTCH,SHROUD,W/O SHUTTERS, HDFE	
38	2083095	2	SCREW,10-16 X 3/4,AB,PH1,PANHD,YELZN,	
39	0854612	2	CLAMP,LOOP,.500	
40	1997949	1	FAN,KYSOR,4735-43217-24,25.00 OD	
40	0083156	1	FAN,COOLING,ENGINE,HORTON,25.00 OD	WITH FEATURE 30006 OR 30007
41	1394675	4	LOCKWASHER,SPLIT RING,10 MM,MED,OLV DRB	
42	1468263	4	NUT,HEX HD,M10-1.50,YELLOW DICHROMATE	

Models: A3FE, C3FE
ENGINE
CAT 3126B, C7
With: FEATURE 40187 WITH 40112-01, -02, 40108-01, -02, -03
BSN: From 11/04/02

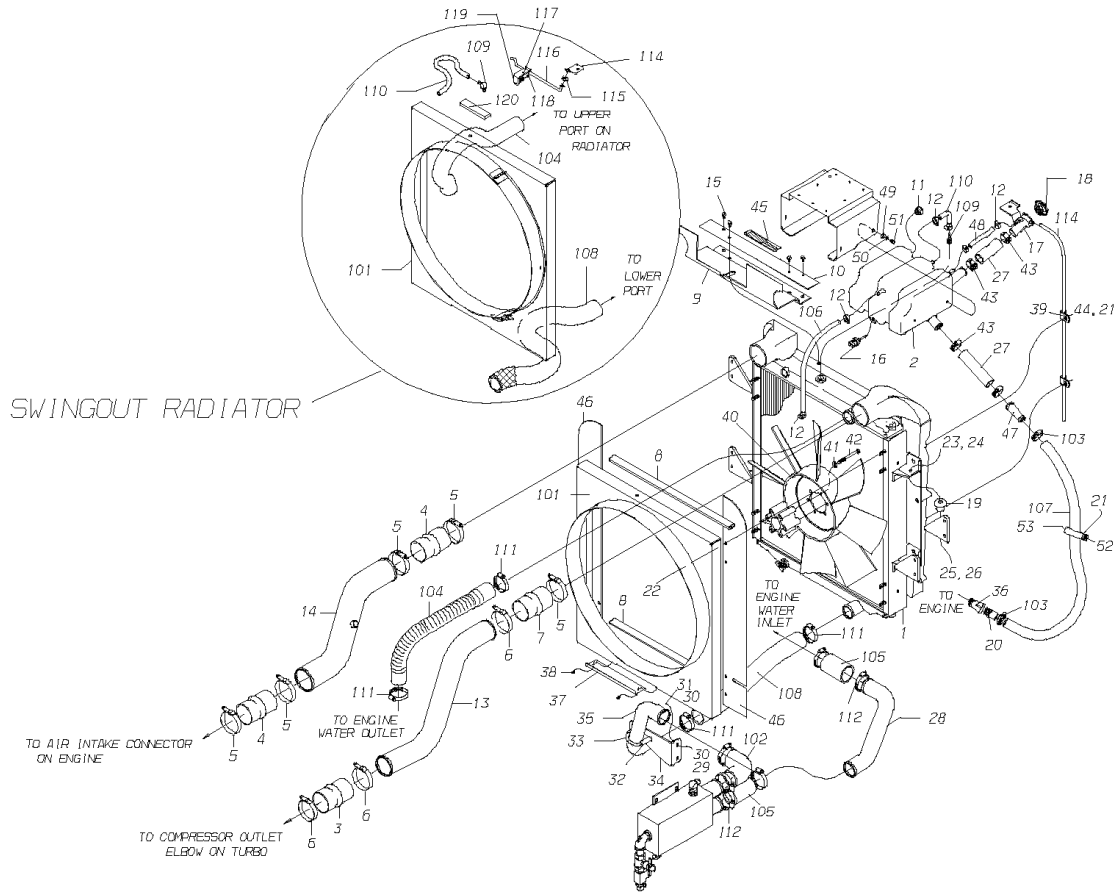
Key	PartNumber	Qty	Description	Comment
43	1894799	2	CLAMP,CONSTANT TORQUE,13/16 TO 1-1/2 DIA	
44	1467000	4	WASHER,FLAT,.281 X.750X.078 HARDENED,BLK	
45	2001170	4	LOCKWASHER,SPLIT RING, 1/4 ,MED,YEL ZN	
46	0807958	1	CAPSCREW,HEX HD,1/4-20X 1/2,GR8,YEL ZN	
47	0829390	1	NUT,HEX HD,5/16-18,SER WASHER,YEL ZN	
48	1107937	1	CLAMP,LOOP,2.00	
10	0013938	1	SHROUD ASSY,RADIATOR,ISC/CAT,25 IN FAN	FEATURE 40112-01
10	0013946	1	SHROUD ASSY,RADIATOR,SWING-OUT,ISC/CAT	FEATURE 40112-02
10	0011966	1	SHROUD ASSY,RADIATOR,CAT 3126 WITH A/C	FEATURE 40112-01 WITH FEATURE 30006 OR 30007
10	0980102	1	ELBOW,SILICONE,90 DEG,2.25ID,W/SPRING	FEATURE 40108-01
10	1342583	1	ELBOW,RUBBER,90 DEG,2.25,WITH SPRING	FEATURE 40108-02 03
10	1518497	1	ELBOW,RUBBER,90 DEG,W/SPRING INSERT,	FEATURE 40108-02 40108-03
10	1137256	1	ELBOW,2IN ID SILICON	FEATURE 40108-01
10	0659920	1	HOSE,RADIATOR,FLEX,2.00 ID X 20.00 LONG	FEATURE 40112-01 WITH 40108 -02 03
10	1997766	1	HOSE,ELBOW,90 DEG,SILICON,2.00ID X 9.5 X	FEATURE 40112-01 WITH 40108 -01
10	0001217	1	HOSE,RADIATOR,FLEX,SLC,2.00 ID X 25.00	FEATURE 40112-02 WITH 40108 -01
10	1514546	1	HOSE,RADIATOR,2.25 ID,SILICONE,6.00 IN	FEATURE 40108-01
10	1514538	1	HOSE,RADIATOR,2.25 ID,RUBBER,6.00 IN LONG	FEATURE 40108-02 03
10	1361468		HOSE,SILICON,.37 ID PUROSIL 80	FEATURE 40108-01 6 FT
10	1797810	6	HOSE,.37 ID X .62 OD,W-H H00906	FEATURE 40108-02 03
10	0055037		HOSE,HEATER,1.25 ID,GOODYEAR HI-MILER	FEATURE 40112-01 WITH 40108 -02, -03 4 FT
10	1990076		HOSE,SILICONE,1.25 ID	FEATURE 40112-01, -02 WITH 40108-01 4 FT0

Models: A3FE, C3FE
ENGINE
CAT 3126B, C7
With: FEATURE 40187 WITH 40112-01, -02, 40108-01, -02, -03
BSN: From 11/04/02

Key	PartNumber	Qty	Description	Comment
10	0972141	1	HOSE,RADIATOR,FLEX,2.00 ID X 24.00 LONG	FEATURE 40112-01 WITH 40108-02 03
10	1408913	1	HOSE,SILICON,FLEX,2.00 X 24.00 LONG	FEATURE 40112-01 WITH 40108-01
10	1935295	1	HOSE,RADIATOR,LWR,2.00ID,FORMED,	FEATURE 40112-02 WITH 40108-01
10	1454008	1	INSERT,BARBED,3/8 ID HOSE X 1/4 MPT	WITH FEATURE 40112-01
10	1409093	1	ELBOW,BARBED INSERT,3/8 HOSE X 1/4 MPT	WITH FEATURE 40112-02
11	1802446	1	HOSE,SILICONE,FORMED,.37 1DX .37 OD,TCFE	FEATURE 40112-01
11	1361468	1	HOSE,SILICON,.37 ID PUROSIL 80	FEATURE 40112-02
11	1167709	6	CLAMP,HOSE,LINED,2IN	FEATURE 40108-02
11	1894807	6	CLAMP,CONSTANT TORQUE,1-3/4 TO 2-5/8 DIA	FEATURE 40108-01, 40108-03
11	0964940	4	CLAMP,HOSE,LINED,2 1/2 INCH	FEATURE 40108-02
11	1905488	4	CLAMP,CONSTANT TORQUE,2 1/4 TO 3 1/8 DIA	FEATURE 40108-01 40108-03
11	1894799	2	CLAMP,CONSTANT TORQUE,13/16 TO 1-1/2 DIA	FEATURE 40108-01
11	0870345	2	CLAMP,HOSE,1INCH,LINED	FEATURE 40108-02
11	0087543	2	CLAMP,CONSTANT TORQUE,13/16 TO 1-3/4 DIA	FEATURE 40108-03
11	0938548		HOSE,RUBBER,HO5705,5/16 ID X 9/16 OD	
11	2217180	1	GROMMET,RUBBER,5/16ID,NO 705	FEATURE 40112-02
11	0001242	1	ROD ASSY,PROP,SWINGOUT RADIATOR,HDFE	FEATURE 40112-02
11	0001244	1	CLIP,ADJUSTABLE,NO.28,HOLDS 3/16 TO 3/8	FEATURE 40112-02
11	1334671	1	SCREW,8-32 X 3/8,F,PH1,PAN HD,YEL ZN DICH	FEATURE 40112-02
11	0001241	1	BRACKET,MTG,CLIP,PROP,SWINGOUT RAD.,	WITH FEATURE 40112-02 ONLY
12	0001240	1	BRACKET,MTG,ROD,PROP,SWINGOUT	WITH FEATURE 40112-02 ONLY

Models: A3FE, C3FE
ENGINE
CUMMINS 8.3 ISC
With: FEATURE 40184 WITH 40112, 40108
BSN: From CSN 30124570

Key	PartNumber	Qty	Description	Comment
-----	------------	-----	-------------	---------



Models: A3FE, C3FE
ENGINE
CUMMINS 8.3 ISC
With: FEATURE 40184 WITH 40112, 40108
BSN: From CSN 30124570

Key	PartNumber	Qty	Description	Comment
1	1948066	1	RADIATOR AND CAC ASSY,VALEO, HDFE	CONSISTS OF THE FOLLOWING
NI	0010507	1	RADIATOR ASSY,HDFE 1003471,1948066	RADIATOR ONLY
NI	1453232	1	COOLER ASSY,CHARGE AIR,BLACKSTONE	CHARGE AIR COOLER ONLY
2	0032865	1	TANK,SURGE,6 QUART,HDFE	
3	1487016	1	HOSE,HUMP,REINF,3 ID X 5 LG,FLX 7725	
4	1491612	3	HOSE,HUMP,REINF,3.50 ID X 5 FLX 7724-1	
5	1450246	7	CLAMP,SPRING LOADED,3.75 ID,3.56-3.88	
6	1258581	1	CLAMP,SPRING LOADED,3.25 ID,3.06-3.38	
7	1487024	2	HOSE,HUMP,REINF,3.5 X 3 ID,FLX 7726	
8	1068501	1	SEAL,RUBBER,A/C HOOD TRIM	
9	0052319	1	BAFFLE,RADIATOR,UPPER,RUBBER,HDFE	
10	1476829	1	PANEL,C/OUT,RADIATOR-AIR COOLER,TCFC	
11	1146877	1	BULB,WITH O-RING SAFETY SIGHT,NO-241-6R	
12	1363274	5	CLAMP,HOSE,SILICON,.62.00	
13	0001001	1	TUBE,CAC TO TURBO OUTLET,CUMN ISC, HDFE	
14	0001000	1	TUBE,CAC TO AIR INLET,CUMN ISC, HDFE	
15	2000123	4	SCREW,5/16-12 X 1/2,B,HEX HD,YEL ZN DICH"	
16	1644822	1	SENDER,LOW COOLANT LEVEL	
17	1990068	1	NECK,FILLER,SURGE TANK,HDFE	
18	1325430	1	CAP,RADIATOR,10 PSI,DOUBLE SEAL	
19	1464809	4	ISOLATOR,RUBBER,1.75 OD,450 LBS. SLR	
20	0315200	1	ADAPTER,HTR,3/4 PIPE X 1 HOSE	
21	0854406	13	CAPSCREW,HEX HD,5/16-18 X 1,GR8,YEL ZN	

Models: A3FE, C3FE
ENGINE
CUMMINS 8.3 ISC
With: FEATURE 40184 WITH 40112, 40108
BSN: From CSN 30124570

Key	PartNumber	Qty	Description	Comment
22	0829390	13	NUT,HEX HD,5/16-18,SER WASHER,YEL ZN	
23	0803163	4	CAPSCREW,HEX HD,1/2-13 X2 1/2,GR8,	
24	1003045	4	WASHER,FLAT,17/32 X 1 1/16 X 7/64,HDN,	
25	1165265	4	WASHER,FLAT,9/16,X 1 3/8 X 7/64,YEL ZNDICH	
26	0850800	4	NUT,HEX HD,1/2-13,LOCKING,GR 8,CAD WAX	
27	1990076		HOSE,SILICONE,1.25 ID	
28	0001003	1	TUBE,COOLANT,ENGINE TO COOLER,CUMN ISC	
29	0803171	2	CAPSCREW,HEXHD,3/8-16NCX1-1/2,GR8,	
30	1107085	4	WASHER,FLAT,13/32 X 13/16 X 3/32,HDN,BLK	
31	0826297	4	NUT,HEX HD,3/8-16 LOCK,YEL ZN DICH	
32	0805226	1	SADDLE,2 IN.,S-200	
33	0805218	1	U-BOLT,2 IN.,UB200	
34	1949395	1	BRACKET,SUPT,LOWER WATER CONNECTION,	
35	1997816	1	TUBE,COOLANT,RADIATOR,LOWER	
36	2009272	1	ELBOW,STREET,3/4 45 DEG,GALV	
37	0000014	1	COVER,NOTCH,SHROUD,W/O SHUTTERS, HDPE	
38	2083095	2	SCREW,10-16 X 3/4,AB,PH1,PANHD,YELZN,	
39	0854612	2	CLAMP,LOOP,.500	
40	1967546	1	FAN,KYSOR,4735-43217-20,25.00 O.D.	
41	1394675	4	LOCKWASHER,SPLIT RING,10 MM,MED,OLV DRB	
42	0004881	4	CAPSCREW,HX HD,M10-1.5X100,CL10.9,	
43	1894799	2	CLAMP,CONSTANT TORQUE,13/16 TO 1-1/2 DIA	
44	2001188	2	LOCKWASHER,SPLIT RING, 5/16,MED,YEL ZN	

Models: A3FE, C3FE
ENGINE
CUMMINS 8.3 ISC
With: FEATURE 40184 WITH 40112, 40108
BSN: From CSN 30124570

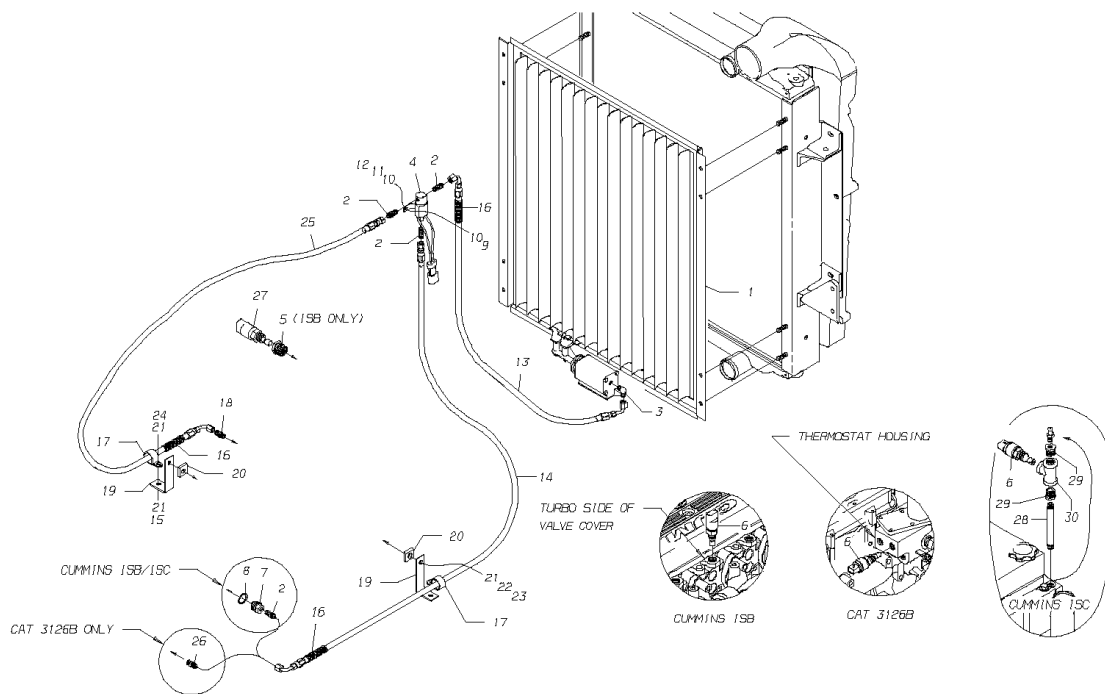
Key	PartNumber	Qty	Description	Comment
45	1599430	1	DECAL,RADIATOR FILL INSTRUCTIONS,TCFC	
46	1977305	2	SEAL,RADIATOR,HDFE	
47	0055058	1	REDUCER,HOSE,1.25 TO 1.00	
48	1361468	1	HOSE,SILICON,.37 ID PUROSIL 80	
49	1467000	4	WASHER,FLAT,.281 X.750X.078 HARDENED,BLK	
50	2001170	4	LOCKWASHER,SPLIT RING, 1/4 ,MED,YEL ZN	
51	0807958	4	CAPSCREW,HEX HD,1/4-20X 1/2,GR8,YEL ZN	
52	0829390	1	NUT,HEX HD,5/16-18,SER WASHER,YEL ZN	
53	1107937	1	CLAMP,LOOP,2.00	
10	0013938	1	SHROUD ASSY,RADIATOR,ISC/CAT,25 IN FAN	FEATURE 40112-01
10	0013946	1	SHROUD ASSY,RADIATOR,SWING-OUT,ISC/CAT	FEATURE 40112-02
10	1342583	1	ELBOW,RUBBER,90 DEG,2.25,WITH SPRING	FEATURE 40108-02 03
10	0980102	1	ELBOW,SILICONE,90 DEG,2.25ID,W/SPRING	FEATURE 40108-01 SILICONE
10	0870345	1	CLAMP,HOSE,1INCH,LINED	FEATURE 40108-02
10	1894799	1	CLAMP,CONSTANT TORQUE,13/16 TO 1-1/2 DIA	FEATURE 40108-03
10	0972141	1	HOSE,RADIATOR,FLEX,2.00 ID X 24.00 LONG	FEATURE 40108-02,-03
10	1997766	1	HOSE,ELBOW,90 DEG,SILICON,2.00ID X 9.5 X	FEATURE 40112-01 WITH 40108-01
10	0001216	1	HOSE,RADIATOR,FLEX,SLC,2.00 ID X 31.00	FEATURE 40112-02 WITH 40108-01
10	1514546	1	HOSE,RADIATOR,2.25 ID,SILICONE,6.00 IN	FEATURE 40108-01
10	1514538	1	HOSE,RADIATOR,2.25 ID,RUBBER,6.00 IN LONG	FEATURE 40108-02,-03
10	1361468		HOSE,SILICON,.37 ID PUROSIL 80	FEATURE 40108-01. 6 FT.
10	1797810		HOSE,.37 ID X .62 OD,W-H H00906	FEATURE 40108-02,-03. 6 FT.
10	1143866		HOSE,HEATER,1 INCH ID,SILICONE	FEATURE 40108-01. 4 FT.

Models: A3FE, C3FE
ENGINE
CUMMINS 8.3 ISC
With: FEATURE 40184 WITH 40112, 40108
BSN: From CSN 30124570

Key	PartNumber	Qty	Description	Comment
10	2003317		HOSE,HEATER,1 INCH BRAID,BLACK	FEATURE 40108-02,-03. 4 FT.
10	0972141	1	HOSE,RADIATOR,FLEX,2.00 ID X 24.00 LONG	FEATURE 40112-01
10	1935295	1	HOSE,RADIATOR,LWR,2.00ID,FORMED,	FEATURE 40112-02
10	1454008	1	INSERT,BARBED,3/8 ID HOSE X 1/4 MPT	FEATURE 40112-01
10	1409093	1	ELBOW,BARBED INSERT,3/8 HOSE X 1/4 MPT	FEATURE 40112-02
11	1802446	1	HOSE,SILICONE,FORMED,.37 1DX .37 OD,TCFE	FEATURE 40112-01
11	1361468	2	HOSE,SILICON,.37 ID PUROSIL 80	FEATURE 40112-02
11	1167709	6	CLAMP,HOSE,LINED,2IN	FEATURE 40108-02
11	1894807	6	CLAMP,CONSTANT TORQUE,1-3/4 TO 2-5/8 DIA	FEATURE 40108-01,-03
11	0964940	4	CLAMP,HOSE,LINED,2 1/2 INCH	FEATURE 40108-02
11	1905488	4	CLAMP,CONSTANT TORQUE,2 1/4 TO 3 1/8 DIA	FEATURE 40108-01,-03
11	0001241		BRACKET,MTG,CLIP,PROP,SWINGOUT RAD.,	
11	0001240	1	BRACKET,MTG,ROD,PROP,SWINGOUT	
11	2217180	1	GROMMET,RUBBER,5/16ID,NO 705	
11	0001242	1	ROD ASSY,PROP,SWINGOUT RADIATOR,HDFE	
11	0001244	1	CLIP,ADJUSTABLE,NO.28,HOLDS 3/16 TO 3/8	
11	1334671	1	SCREW,8-32 X 3/8,F,PH1,PAN HD,YEL ZN DICH	
11	0001241	1	BRACKET,MTG,CLIP,PROP,SWINGOUT RAD.,	
12	1933274	1	SEAL,ENGINE HOOD,1/2 THX X 1-1/4 WIDE	

Models: A3FE, C3FE
RADIATOR SHUTTER
AIR
With: FEATURE 40113-02

Key	PartNumber	Qty	Description	Comment
-----	------------	-----	-------------	---------

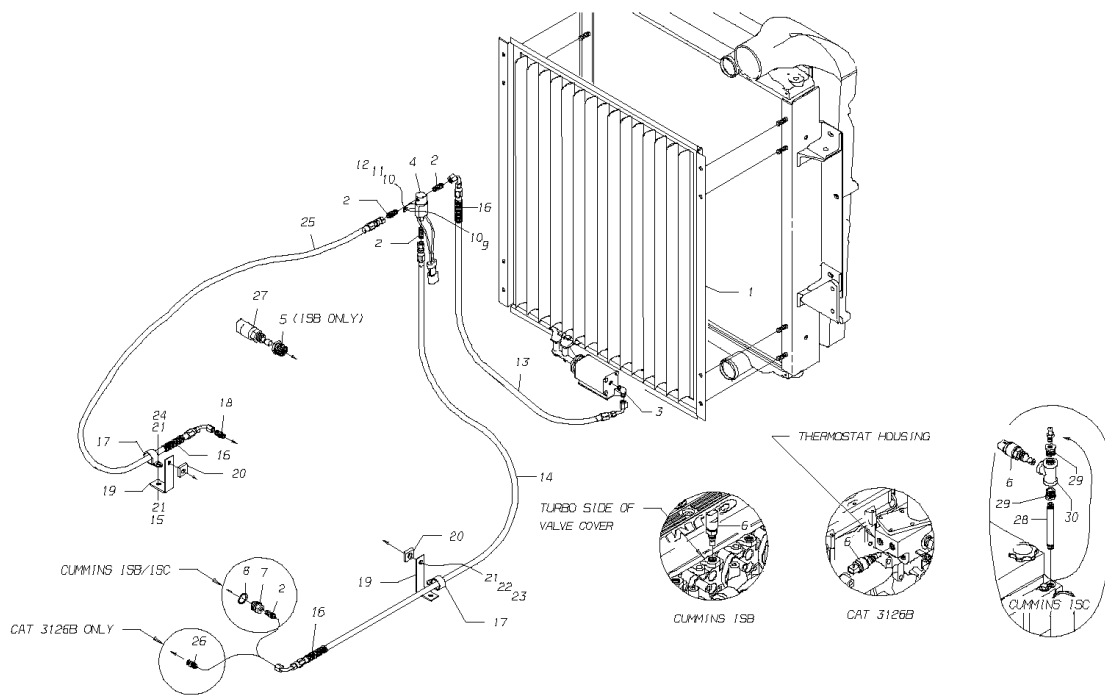


Models: A3FE, C3FE
RADIATOR SHUTTER
AIR
With: FEATURE 40113-02

Key	PartNumber	Qty	Description	Comment
1	1997832	1	SHUTTER ASSY,KYSOR,AIR,1034-09046-01,	
2	1340371	3	ELBOW,90 DEG,MALE,1469X4-Z,.13MP X,.25T	
3	1344092	1	ELBOW,90 DEG,MALE,1469X4X4-Z,.25 MP X .25	
4	1874965	1	SOLENOID,SHUTTERS,TC	
5	2009074	1	BUSHING,PIPE,GALV,1/2 X 3/4	
6	1644897	1	ALARMSTAT,SHUTTERS,150, NORM CLOSED	
7	0936096	1	VALVE,CONTROL,FLOW,ENT DOOR,AIR	
8	0654962		TUBING,PLASTIC,1/4 OD,BLACK,SAE J844 TYPE	
9	1220011		TUBING,PLASTIC,1/4 OD,BROWN,SAE J844	
10	2005700		LOOM,ASPHALTUM,WIRE,1/4IN	
11	1317247	1	BRACKET,ATCH,BRAKE LINE TO FRAME	
12	0854612	1	CLAMP,LOOP,.500	
13	0998526	1	SPACER,.250X1.25X1.25 W/.531 HOLE,PAINTED	
14	2001048	3	WASHER,FLAT,11/32 X 11/16 X 1/16,YEL	
15	1480433	1	NUT,HEX HD,5/16-18,FLG PRVG TORQ,GR F,	
16	2001188	1	LOCKWASHER,SPLIT RING, 5/16,MED,YEL ZN	
17	0997759	1	CAPSCREW,HX HD,M8-1.25X25,CL10.9,	
18	0854406	1	CAPSCREW,HEX HD,5/16-18 X 1,GR8,YEL ZN	
19	2000776	2	SCREW,MACH, 10-32 X 3/4,PH1,RD HD,	
20	2001105	4	WASHER,FLAT,13/64 X,1/2 X 3/64,YEL ZN DICH	
21	2001162	2	LOCKWASHER,SPLIT RING, 3/16,MED,YEL ZN	
22	2001287	2	NUT,HEX HD,10-32,YEL ZN DICH	

Models: A3FE, C3FE
**RADIATOR SHUTTER
 HYDRAULIC**
With: FEATURE 40113-01 WITH 40177, 40184, 40187

Key	PartNumber	Qty	Description	Comment
-----	------------	-----	-------------	---------



Models: A3FE, C3FE
RADIATOR SHUTTER
HYDRAULIC
With: FEATURE 40113-01 WITH 40177, 40184, 40187

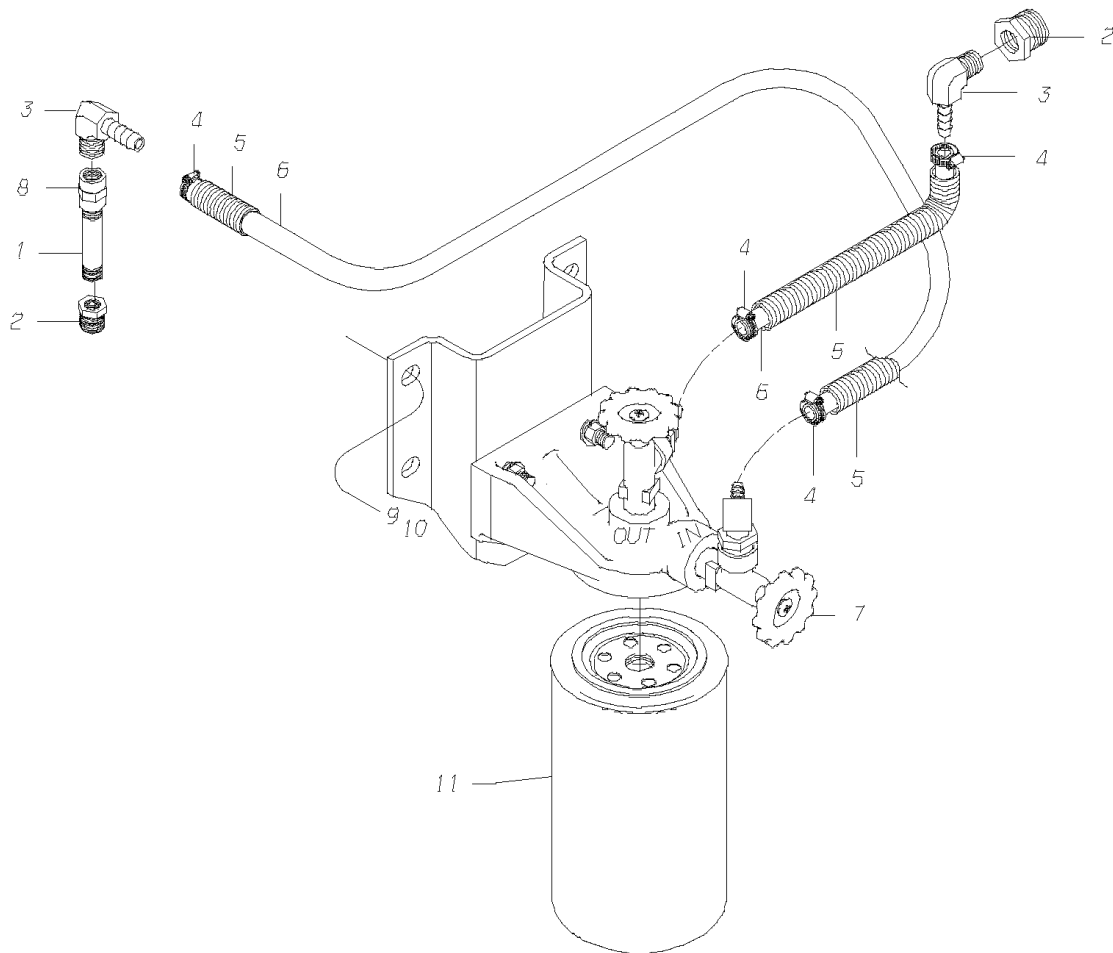
Key	PartNumber	Qty	Description	Comment
1	1997824	1	SHUTTER ASSY,KYSOR,HYD,1034-09044-01,	
2	2008084	4	CONNECTOR,MALE,1/4 TUBE X 1/8 PIPE,48 X 4	
3	2008241	1	ELBOW,MALE,1/4 TUBE X 1/8 PIPE	
4	1874965	1	SOLENOID,SHUTTERS,TC	
5	2009074	1	BUSHING,PIPE,GALV,1/2 X 3/4	FEATURE 40177 ONLY
6	1644897	1	ALARMSTAT,SHUTTERS,150, NORM CLOSED	
7	1403922	1	BUSHING,M22 - 1.5 X .125 NPT"	FEATURE 40177, 40184 ONLY
8	1416486	1	WASHER,COPPER,1.062 X .875 X .062	
9	2000776	2	SCREW,MACH, 10-32 X 3/4,PH1,RD HD,	
10	2001105	4	WASHER,FLAT,13/64 X,1/2 X 3/64,YEL ZN DICH	
11	2001162	2	LOCKWASHER,SPLIT RING, 3/16,MED,YEL ZN	
12	2001287	2	NUT,HEX HD,10-32,YEL ZN DICH	
13	1991843	1	HOSE ASSY,3/16 ID,WIRE BRAID,M/PRESS,34	FROM SHUTTER ASSY. KEY # 1 TO SOLENOID KEY # 4, 34"
13	1955475	1	HOSE ASSY,98 HYD SHUTTERS,36.00 LG, TCFC	FROM SOLENOID KEY # 4 TO OIL SUPPLY PORT ON LEFT SIDE OF ENGINE
14	1165638	1	HOSE ASSY,3/16 ID WIRE BRAID M/P 90 D 51	FEATURE 40177
14	1376052	1	HOSE ASSY,HYD SHUTTERS,30.00 LG, TCFC	FEATURE 40187
14	1376078	1	HOSE ASSY,HYD SHUTTERS,48.00 LG, TCFC	FEATURE 40184
15	1480433	2	NUT,HEX HD,5/16-18,FLG PRVG TORQ,GR F,	
16	2272870		LOOM,CORRUGATED,BLACK,NYLON,1/2ID,SS	
17	1517168	2	CLAMP,LOOP,.937	
18	1955483	1	ADAPTER,O-RING,WEATHERHEAD,	FEATURE 40177, 40184
18	6039101	1	ADAPTER,BRASS,LEV JACK,WEATHER	FEATURE 40187

Models: A3FE, C3FE
RADIATOR SHUTTER
HYDRAULIC
With: FEATURE 40113-01 WITH 40177, 40184, 40187

Key	PartNumber	Qty	Description	Comment
19	1317247	2	BRACKET,ATCH,BRAKE LINE TO FRAME	
20	0998526	2	SPACER,.250X1.25X1.25 W/.531 HOLE,PAINTED	40177 ONLY
21	2001048	6	WASHER,FLAT,11/32 X 11/16 X 1/16,YEL	
22	2001188	2	LOCKWASHER,SPLIT RING, 5/16,MED,YEL ZN	
23	0997759	2	CAPSCREW,HX HD,M8-1.25X25,CL10.9,	
24	0854406	2	CAPSCREW,HEX HD,5/16-18 X 1,GR8,YEL ZN	
25	1900299	1	CONNECTOR,37 DEG,1/4 TUBE X 3/8 O-RING	40187 ONLY

Models: A3FE, C3FE
With: WATER FILTER, PERRY
Feature: 40109-01 WITH 40108-01, -02

Key	PartNumber	Qty	Description	Comment
-----	------------	-----	-------------	---------



Models: A3FE, C3FE
With: WATER FILTER, PERRY
 FEATURE 40109-01 WITH 40108-01, -02

Key	PartNumber	Qty	Description	Comment
1	2009330	1	NIPPLE,PIPE,1/4 X 2,GALV	
2	2009041	2	BUSHING,PIPE,GALV,1/4 X 1/2	
3	1409085	2	ELBOW,BARBED INSERT,1/4 HOSE X 1/4 MPT	
4	0620930	4	CLAMP,FUEL VAPOR LINE	
5	2272870	6	LOOM,CORRUGATED,BLACK,NYLON,1/2ID,SS	
6	1359207	6	HOSE,SILICON,.25 ID PUROSIL 80	FEATURE 40108-01.
6	0938548	6	HOSE,RUBBER,HO5705,5/16 ID X 9/16 OD	FEATURE 40108-02.
7	0002260	1	FILTER ASSY,WATER,CUMMINS ISB, HDFE	
	0002235	1	BRACKET,MOUNTING,WATER FILTER,HDFE	INCLUDED IN KEY #7 FILTER ASSEMBLY.
	0871889	1	BASE,PERRY WATER FILTER	INCLUDED IN KEY #7 FILTER ASSEMBLY.
	2001451	3	NUT,HEX HD,3/8-16,YELLOW DICHROMATE	INCLUDED IN KEY #7 FILTER ASSEMBLY.
	0871954	2	COCK,SHUTOFFGROUND PLUG,P-H V405P6-6	INCLUDED IN KEY #7 FILTER ASSEMBLY.
	2009033	2	BUSHING,PIPE,GALV,1/4 X 3/8	INCLUDED IN KEY #7 FILTER ASSEMBLY.
	1409085	1	ELBOW,BARBED INSERT,1/4 HOSE X 1/4 MPT	INCLUDED IN KEY #7 FILTER ASSEMBLY.
	2008126	1	CONNECTOR,HOSE,W/S WIPER,692 1/4 X 1/4	INCLUDED IN KEY #7 FILTER ASSEMBLY.
	2028363	3	BOLT,HEX HD,3/8-16,1-1/4,GR 5,YEL ZN DICH	INCLUDED IN KEY #7 FILTER ASSEMBLY.
	0882795	3	LOCKWASHER,SPLIT RING,3/8,MED,YELLOW	INCLUDED IN KEY #7 FILTER ASSEMBLY.
8	2027175	1	COUPLING,PIPE,1/4	
9	2001212	4	LOCKWASHER,SPLIT RING, 1/2 ,LHT,YEL ZN	
10	1132034	4	CAPSCREW,HX HD,M12-1.75X35,GR8.8,	
11	0871897	1	ELEMENT,FILTER,WATER,STANDARD	