

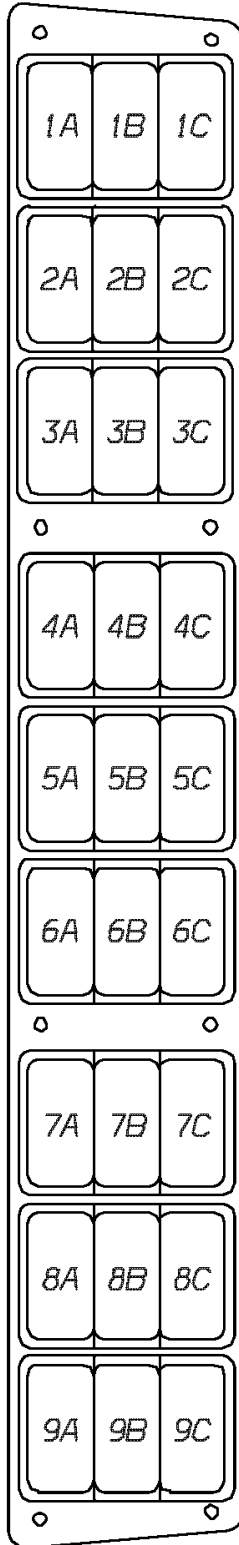
Chassis

080 Electrical

DRIVER'S PANEL SWITCH	1
ELECTRICAL PANEL OUTSIDE ACCESS	2
OUTSIDE ACCESS DOOR LIGHT & SWITCH	3
PDU <i>With: FEATURE 40177, 40184, 40187</i>	4
RELAYS, TURN SIGNAL	5
SWITCH PANEL SHIFTER	6
SWITCHES DOOR <i>With: OPTION 2229, 2230</i>	7
WINDSHIELD WIPER <i>With: STD</i>	8
<i>With: FEATURE 3443</i>	9
<i>With: FEATURE 3444-01</i>	10
WARNING LAMP CONTROL BOX <i>With: OPTION 2147</i>	11
WARNING LAMP CONTROL PANEL <i>With: OPTION 2128</i>	12

Models: C3FE
DRIVER'S PANEL
SWITCH

Key	PartNumber	Qty	Description	Comment
-----	------------	-----	-------------	---------

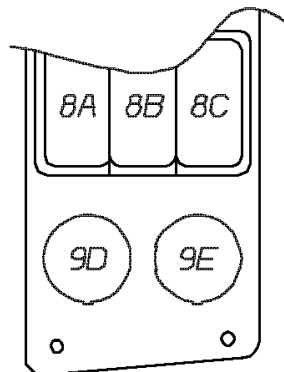


DR. 3-08-01	BY MC		00301201	E
APP.	BY	FRT		REV

© BLUE BIRD BODY COMPANY. ALL RIGHTS RESERVED



10



Models: C3FE
**DRIVER'S PANEL
 SWITCH**

Key	PartNumber	Qty	Description	Comment
	0030126		PANEL ASSY,SWITCH,DRIVER SI,W/COMP, CS	
1A	0027309		ROCKER,BUTTON,NGR,DOME	FEATURE 30158-01
	0027310		ROCKER,BUTTON,NGR,DOME,LH	FEATURE 30158-02
	0027312		ROCKER,BUTTON,NGR,DOME,FRONT	FEATURE 31058-03
	0027285		SWITCH,BASE,NGR,SPST,ON-ON,HIGH	FEATURE 30158-01, -02, -03
1B	0027311		ROCKER,BUTTON,NGR,DOME,RH	FEATURE 30158-02
	0027313		ROCKER,BUTTON,NGR,DOME,REAR	FEATURE 30158-03
	0027285		SWITCH,BASE,NGR,SPST,ON-ON,HIGH	FEATURE 30158-02, -03
1C	0027313		ROCKER,BUTTON,NGR,DOME,REAR	FEATURE 30157-01,-02,-03,-04
	0027285		SWITCH,BASE,NGR,SPST,ON-ON,HIGH	FEATURE 30157-01,-02,-03,-04
	0027345		SWITCH,SLIDE,DIMMER,DOME,GANG MOUNT,6A	FEATURE 30157-05
2A	0027314		ROCKER,BUTTON,NGR,DOME,DRIVERS	FEATURE 30155-01, -02
	0027285		SWITCH,BASE,NGR,SPST,ON-ON,HIGH	FEATURE 30155-01, -02
2B	0027328		ROCKER,BUTTON,NGR,DOOR,SERVICE	FEATURE 30978-04
	0027328		ROCKER,BUTTON,NGR,DOOR,SERVICE	FEATURE 30978-06
	0027296		SWITCH,BASE,NGR,SPDT,MOM ON-OFF-MOM	FEATURE 30978-04
	0027292		SWITCH,BASE,NGR,DPDT,MOM ON-OFF-MOM	FEATURE 30978-06
	0042458		SWITCH,BASE,NGR,SPDT,MOM ON-OFF-MOM	FEATURE 30978-04
	0042456		SWITCH,BASE,NGR,DPDT,MOM ON-OFF-MOM	FEATURE 30978-06
2C	0027329		ROCKER,BUTTON,NGR,DOOR,EXIT	FEATURE 472, 475
	0029027		ROCKER,BUTTON,NGR,DOOR,REAR	FEATURE 477, 479, 485, 487
	0027296		SWITCH,BASE,NGR,SPDT,MOM ON-OFF-MOM	FEATURE 472, 475
	0027294		SWITCH,BASE,NGR,SPST,ON-ON,EXT IND	FEATURE 477, 479, 485, 487

**Models: C3FE
DRIVER'S PANEL
SWITCH**

Key	PartNumber	Qty	Description	Comment
3A	0027315		ROCKER,BUTTON,NGR,FAN	FEATURE 30026
	0027291		SWITCH,BASE,NGR,SPDT,ON-OFF-ON,HIGH	FEATURE 30026
3B	0027315		ROCKER,BUTTON,NGR,FAN	FEATURE 30026
	0027291		SWITCH,BASE,NGR,SPDT,ON-OFF-ON,HIGH	FEATURE 30026
3C	0027315		ROCKER,BUTTON,NGR,FAN	FEATURE 30026
	0027291		SWITCH,BASE,NGR,SPDT,ON-OFF-ON,HIGH	FEATURE 30026
4A	0027323		ROCKER,BUTTON,NGR,CHIME	FEATURE 3040
	0027287		SWITCH,BASE,NGR,SPST,IND,OFF-ON	FEATURE 3040
4B	0027321		ROCKER,BUTTON,NGR,MIRROR,HEATED	FEATURE 30482-01,02,03,04
	0027297		SWITCH,BASE,NGR,SPST,IND,OFF-MOM ON	FEATURE 30482-03
	0027298		SWITCH,BASE,NGR,SPST,IND,OFF-ON,HIGH	FEATURE 30482-01,02,04
4C	0027322		ROCKER,BUTTON,NGR,SIGN,DESTINATION	FEATURE 6164, 6165, 6184
	0027285		SWITCH,BASE,NGR,SPST,ON-ON,HIGH	FEATURE 6164, 6165, 6184
5A	0027327		ROCKER,BUTTON,NGR,BRAKE OVERRIDE	FEATURE 40051-01, -02
	0027293		SWITCH,BASE,NGR,SPST,ON-MOM-OFF	FEATURE 40051-01, -02
5B	0027325		ROCKER,BUTTON,NGR,LIFT	FEATURE 31047-01
	0027287		SWITCH,BASE,NGR,SPST,IND,OFF-ON	FEATURE 31047-01
5C	0027338		INDICATOR,LIFT DOOR,GREEN/EMER EXIT	FEATURE 30318-01; 30319-03
	0027336		INDICATOR,LIFT DOOR,AMBER/EMER EXIT	FEATURE 30318-01; 30319-05
	0027337		INDICATOR,LIFT DOOR,RED/EMER EXIT	FEATURE 30318-01; 30319-06
6A	0027339		INDICATOR,SEAT BELT	FEATURE 2820
6B	0027933		SWITCH,SLIDE,DIMMER,PANEL,GANG	FEATURE 30321-02
6C	0027318		ROCKER,BUTTON,NGR,HEATER,MASTER	STANDARD

Models: C3FE
DRIVER'S PANEL
SWITCH

Key	PartNumber	Qty	Description	Comment
	0027294		SWITCH,BASE,NGR,SPST,ON-ON,EXT IND	STANDARD
7A	0027331		ROCKER,BUTTON,NGR,HEATER,AUX	FEATURE 1345-01, -03
	0027287		SWITCH,BASE,NGR,SPST,IND,OFF-ON	FEATURE 1345-01, -03
7B	0027324		ROCKER,BUTTON,NGR,VENT,ROOF,2 SPEED	FEATURE 551, 30029-02, -03
	0027291		SWITCH,BASE,NGR,SPDT,ON-OFF-ON,HIGH	FEATURE 551, 30029-02, -03
7C	0027324		ROCKER,BUTTON,NGR,VENT,ROOF,2 SPEED	FEATURE 551, 30029-02, -03
	0027291		SWITCH,BASE,NGR,SPDT,ON-OFF-ON,HIGH	FEATURE 551, 30029-02, -03
8A	0027422		INDICATOR,LUG DOOR	FEATURE 159
8B	0027733		ROCKER,BUTTON,NGR,CLR LGTS	FEATURE 30101-01
	0027285		SWITCH,BASE,NGR,SPST,ON-ON,HIGH	FEATURE 30101-01
8C				NOT APPLICABLE
9A				NOT APPLICABLE
9B				NOT APPLICABLE
9C				NOT APPLICABLE
9D				NOT APPLICABLE
9E				NOT APPLICABLE
10	0030443		PANEL,SWITCH,DRIVER'S SIDE,SERVICE	
NI	0027347		BEZEL,END,NGR,SWITCH PANEL	
NI	0027348		BEZEL,CENTER,NGR,SWITCH PANEL	

Models: C3FE
**ELECTRICAL PANEL
 OUTSIDE ACCESS**

Key	PartNumber	Qty	Description	Comment
1	0025907		PANEL ASSY,ELEC LOAD CENTER,CV & TRANSIT	STANDARD
	0025908		PANEL ASSY,ELEC LOAD CTR,RH DRV,	OPTION 3480. RH DRIVE
2	1418144		STANDOFF,ELECTRICAL BOX,1.50 IN	
	1334689		SCREW,10-32 X 3/8,F,PH1,PAN HD,YEL ZN DICH	
3	0029926		BRACKET,CIRCUIT BREAKER	
	0563916		SCREW,8-32 X 1/2,PH1,RD HD,YEL ZN DICH	
	2001253		NUT,HEX HD,8-32,YELLOW DICHROMATE	
4	0029314		BRACKET,MTG,RELAY CONNECTOR	
	1334689		SCREW,10-32 X 3/8,F,PH1,PAN HD,YEL ZN DICH	
5	0030304		BLOCK,TERMINAL,4-WAY	
	1812239		SCREW,10-32 X 3/4,F,PH1,PAN HD,ZN	
6	0013675		BREAKER,CIRCUIT,35 AMP	
7	2006112		BREAKER,CIRCUIT,20 AMP	
8	2006104		BREAKER,CIRCUIT,15 AMP	
9	1746387		RELAY,MICRO	
	1334689		SCREW,10-32 X 3/8,F,PH1,PAN HD,YEL ZN DICH	
10	1656743		FLASHER SYSTEM,8 LAMP,WELDON 7000	
	1334671		SCREW,8-32 X 3/8,F,PH1,PAN HD,YEL ZN DICH	
11	0031909		RELAY,CURRENT SENSING,W/L	
	1812239		SCREW,10-32 X 3/4,F,PH1,PAN HD,ZN	
12	0768218		BREAKER,CIRCUIT,10AMP	
13	1868025		FLASHER,TURN/HAZZARD WARNING	
	1334689		SCREW,10-32 X 3/8,F,PH1,PAN HD,YEL ZN DICH	

Models: C3FE
**ELECTRICAL PANEL
 OUTSIDE ACCESS**

Key	PartNumber	Qty	Description	Comment
14	0028520		FLASHER,ELECTRONIC	
	1334689		SCREW,10-32 X 3/8,F,PH1,PAN HD,YEL ZN DICH	
15	0985689		BREAKER,CIRCUIT,25AMP	
16	0864660		BREAKER,CIRCUIT,6AMP	
17	0932012		SOLENOID,100-AMP	
	1268119		SCREW,1/4-20X1/2,F,PH1,PAN HD,YEL ZN DICH	
	0009671		DIODE ASSY,SUPPRESSION,NOISE,BODY	
	2001170		LOCKWASHER,SPLIT RING, 1/4 ,MED,YEL ZN	
18	2215259		BREAKER,CIRCUIT,30AMP	
19	0014477		MODULE,DAYTIME RUNNING LIGHT	
	1334689		SCREW,10-32 X 3/8,F,PH1,PAN HD,YEL ZN DICH	
20	1747633		RELAY,TIME DELAY,4 SECOND,OR GATE	
	1422948		SCREW,1/4-20 X 1-1/4,D,HEX HD,YEL ZN DICH	
21	1740711		RELAY,TIME DELAY,4 SECOND	
	1422948		SCREW,1/4-20 X 1-1/4,D,HEX HD,YEL ZN DICH	
22	1170869		BREAKER,CIRCUIT,8AMP	
23	1615830		RELAY,TIME DELAY,390 SECOND	
	1422948		SCREW,1/4-20 X 1-1/4,D,HEX HD,YEL ZN DICH	
24	1868017		RELAY,POTTER BRUMFIELD VF4-15F11-S01	
	1334689		SCREW,10-32 X 3/8,F,PH1,PAN HD,YEL ZN DICH	
25	0057399		REGULATOR ASSY,SOLENOID VALVE,AIR S/A	
	1334689		SCREW,10-32 X 3/8,F,PH1,PAN HD,YEL ZN DICH	
	0009903		ELBOW,90 DEG,MALE1869X4-Z,.13MPT X .25T	

Models: C3FE
ELECTRICAL PANEL
OUTSIDE ACCESS

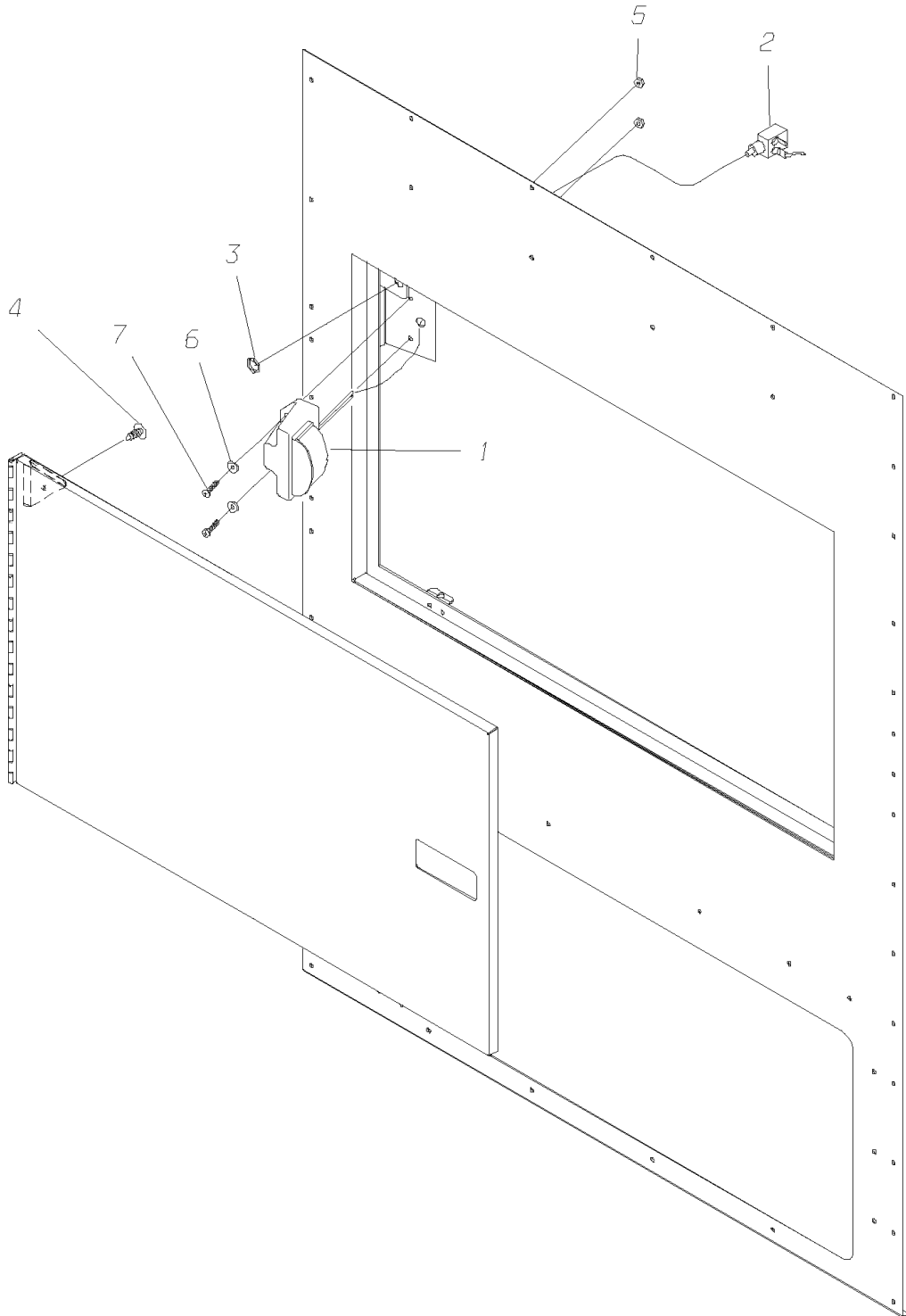
Key	PartNumber	Qty	Description	Comment
	2001105		WASHER,FLAT,13/64 X,1/2 X 3/64,YEL ZN DICH	
26	0057399		REGULATOR ASSY,SOLENOID VALVE,AIR S/A	
	1334689		SCREW,10-32 X 3/8,F,PH1,PAN HD,YEL ZN DICH	
	0009903		ELBOW,90 DEG,MALE1869X4-Z,.13MPT X .25T	
	0009904		TEE,MALE RUN,1871X4-Z,.13MPT X .25T	
	2001105		WASHER,FLAT,13/64 X,1/2 X 3/64,YEL ZN DICH	
27	0065266		BRACKET,ELEC,CIRCUIT BREAKER	
	0563916		SCREW,8-32 X 1/2,PH1,RD HD,YEL ZN DICH	
	2001253		NUT,HEX HD,8-32,YELLOW DICHROMATE	
28	0030826		STANDOFF,ELECTRICAL BOX,1.50 H X 3.69 W	
	1334689		SCREW,10-32 X 3/8,F,PH1,PAN HD,YEL ZN DICH	
29	0057081		BRACKET,MTG,AIR VALVES	
	1334689		SCREW,10-32 X 3/8,F,PH1,PAN HD,YEL ZN DICH	
30	1268119		SCREW,1/4-20X1/2,F,PH1,PAN HD,YEL ZN DICH	
	1247709		WASHER,FLAT,17/64 ID X,5/8,YEL ZN DICH	
31	1868025		FLASHER,TURN/HAZZARD WARNING	
	1334689		SCREW,10-32 X 3/8,F,PH1,PAN HD,YEL ZN DICH	
32	0027922		RESISTOR ASSEMBLY,VENT FAN,1 OHM,10	
	0033278		SCREW,4-40 X 1/2,F,PH1,PAN HD,YEL ZN DICH	
33	2000867		SCREW,MACH,1/4-20X1 3/4,PH1,RD HD,	
	0659979		NUT,HEX,FLANGE SER,1/4-20,BLACK ZINC	
34	0031429		WIRE ASSY,10 GA,WH,20.L,EYELET/EYELET	
35	0031126		HARNES,WRG,CAPACITOR,A/C FILTERING	

Models: C3FE
**ELECTRICAL PANEL
 OUTSIDE ACCESS**

Key	PartNumber	Qty	Description	Comment
36	0033416		LIGHT,ELECTRICAL PANEL	
	0042355		SWITCH,2 POSN,SPST,ON-OFF,COLE HERSEE	
	0069501		KNOB,CHROME,COMPT DOOR SWITCH,FOR	
	1073311		NUT,PANEL,HEX HD,1/2-20,YEL ZN DICH	
	1160399		PIN,RATCHET,TYPE ONE,RUBBER PAD,PC 47486	
	2001279		NUT,HEX HD,10-24,YEL ZN DICH"	
	2001105		WASHER,FLAT,13/64 X,1/2 X 3/64,YEL ZN DICH	
	2000768		SCREW,MACH,10-24 X 1, PH1,RD HD,YEL ZN	
37	0032033		VALVE ASSY,ELEC SOLENOID VAC S/A W/CONN	
	1334689		SCREW,10-32 X 3/8,F,PH1,PAN HD,YEL ZN DICH	
	0009903		ELBOW,90 DEG,MALE1869X4-Z,.13MPT X .25T	
	2001105		WASHER,FLAT,13/64 X,1/2 X 3/64,YEL ZN DICH	
38	1653948		TIE,CABLE,NYLON PUSH MOUNT	
39	0118463		WEATHERSTRIP,WARNING LIGHT BRACKET	
40	0031126		HARNESS,WRG,CAPACITOR,A/C FILTERING	
41	2024545		BOOT,TERMINAL	
42	0033670		WIRE ASSY,6 GA,BK 56.L,EYE/EYE	
43	0035390		WIRE ASSY,6 GA,BLACK,5.L,EYE/EYE	
44	0035391		WIRE ASSY,6 GA,BLACK,9.L,EYE/EYE	
45	0035392		WIRE ASSY,6 GA,BLACK,12.L,EYE/EYE	
46	0039096		BUS BAR,SOLENOID,BODY	
47	0039097		BUS BAR,BREAKER,CIRCUIT	

Models: C3FE
ELECTRICAL PANEL
OUTSIDE ACCESS DOOR LIGHT & SWITCH

Key	PartNumber	Qty	Description	Comment
-----	------------	-----	-------------	---------

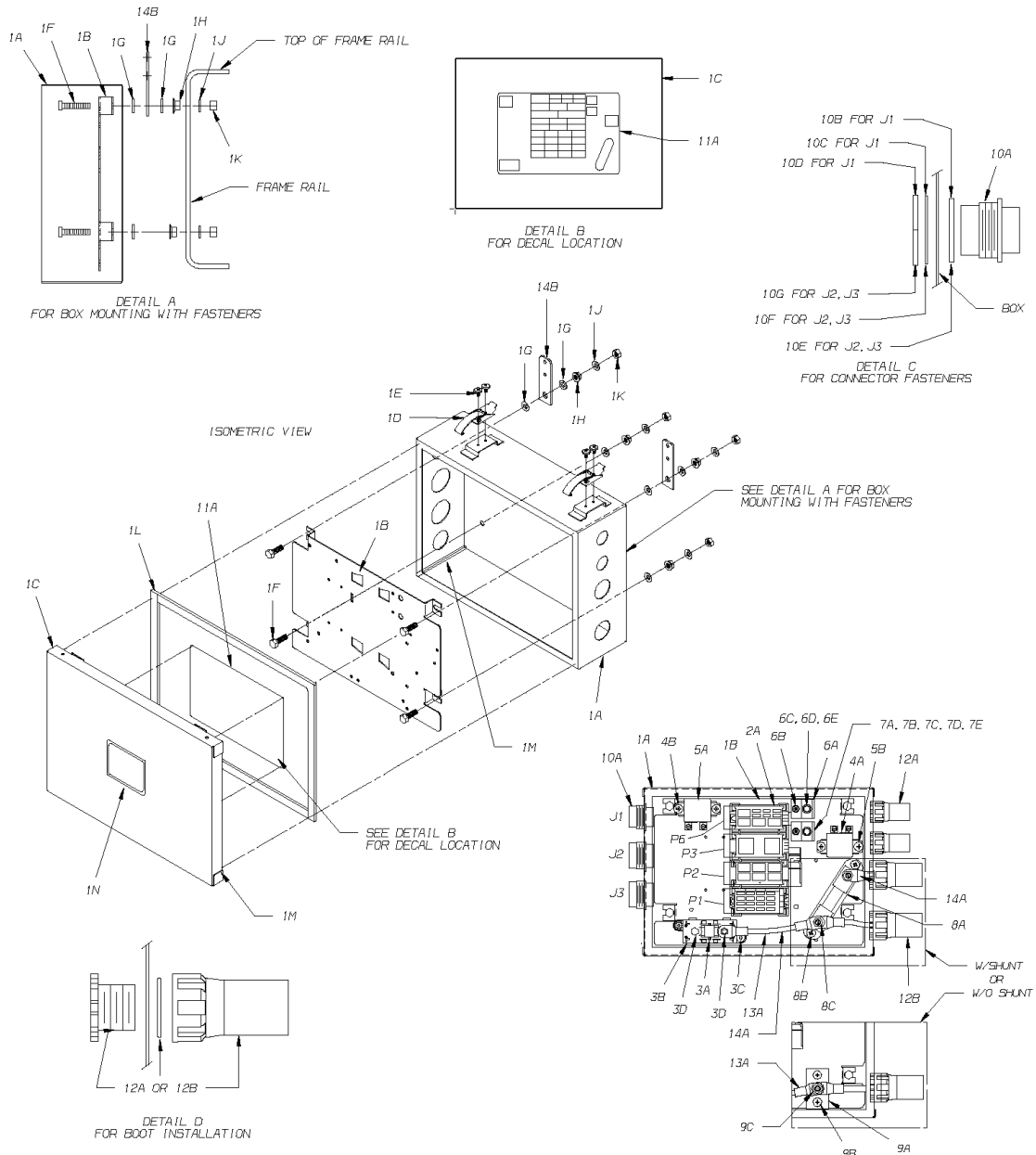


**Models: C3FE
ELECTRICAL PANEL
OUTSIDE ACCESS DOOR LIGHT & SWITCH**

Key	PartNumber	Qty	Description	Comment
1	0033416		LIGHT,ELECTRICAL PANEL	
2	1126176		SWITCH,MOMENTARY,SPST NC	<i>ENDING WITH BSN B10083874, F10044744, F20044769, L10073699, M10098094</i>
	0042355		SWITCH,2 POSN,SPST,ON-OFF,COLE HERSEE	<i>BEGIN WITH BSN B10083875, F10044745, F20044770, L10073700, M10098095</i>
NI	0069501		KNOB,CHROME,COMPT DOOR SWITCH,FOR	
3	1073311		NUT,PANEL,HEX HD,1/2-20,YEL ZN DICH	
4	1160399		PIN,RATCHET,TYPE ONE,RUBBER PAD,PC 47486	
5	2001279	2	NUT,HEX HD,10-24,YEL ZN DICH"	<i>ENDING WITH BSN F0067279, B0156729, L0131824</i>
6	2001105	2	WASHER,FLAT,13/64 X,1/2 X 3/64,YEL ZN DICH	<i>ENDING WITH BSN F0067279, B0156729, L0131824</i>
7	2000768	2	SCREW,MACH,10-24 X 1, PH1,RD HD,YEL ZN	<i>ENDING WITH BSN F0067279, B0156729, L0131824</i>
	0020713		SCREW,1/4-20 X 3/4,F,PH1,PAN HD,YEL ZN	

Models: C3FE
PDU
With: FEATURE 40177, 40184, 40187

Key	PartNumber	Qty	Description	Comment
-----	------------	-----	-------------	---------



Models: C3FE
PDU
With: FEATURE 40177, 40184, 40187

Key	PartNumber	Qty	Description	Comment
	0015646		BOX ASSY,PDU,CUMN,WT/A2000,AIR,W/SHUNT.	FEATURE 40422-01. WITH FEATURE 40280-02 (WT/ A2000, WITH SHUNT)
	0015647		BOX ASSY,PDU,CUMN,WT/A2000,AIR,	FEATURE 40422-01 (WT/ A2000, WITHOUT SHUNT)
	0015648		BOX ASSY,PDU,CUMN,AT/MT,AIR,W/SHUNT.,	FEATURE 40421, 40426. WITH FEATURE 40280-02 (AT/ MT, WITH SHUNT)
	0015649		BOX ASSY,PDU,CUMN,AT/MT,AIR,W/O SHUNT.	FEATURE 40421, 40426 (AT/ MT, WITHOUT SHUNT)
	0015650		BOX ASSY,PDU,CAT,WT/A2000,AIR,W/SHUNT,	FEATURE 40422-01. WITH FEATURE 40280-02 (WT/ A2000, WITH SHUNT)
	0015652		BOX ASSY,PDU,CAT,WT/A2000,AIR,W/OSHUNT,	FEATURE 40422-01. (WT/ A2000, WITHOUT SHUNT)
	0015653		BOX ASSY,PDU,CAT,AT/MT,AIR,W/SHUNT, HDFE	FEATURE 40421, 40426 WITH FEATURE 40280-02. (AT/ MT, WITH SHUNT)
	0015654		BOX ASSY,PDU,CAT,AT/MT,AIR,W/O SHUNT,	FEATURE 40421, 40426. (AT/ MT, WITHOUT SHUNT)
	0015749		BOX ASSY,PDU,CUMN,WT/A2000,HYD,	FEATURE 40422-01 WITH FEATURE 40280-02. (WT/ A2000, WITH SHUNT)
	0015751		BOX ASSY,PDU,CUMN,WT/A2000,HYD,	FEATURE 40422-01. (WT/ A2000, WITHOUT SHUNT)
	0015752		BOX ASSY,PDU,CUMN,AT/MT,HYD,W/SHUNT.,	FEATURE 40421, 40426 WITH FEATURE 40280-02. (AT/ MT, WITH SHUNT)
	0015753		BOX ASSY,PDU,CUMN,AT/MT,HYD,W/O SHUNT.	FEATURE 40421, 40426. (AT/ MT, WITHOUT SHUNT)
	0015754		BOX ASSY,PDU,CAT,WT/A2000,HYD,W/SHUNT,	FEATURE 40422-01 WITH FEATURE 40280-02. WT/ A2000, WITH SHUNT
	0015755		BOX ASSY,PDU,CAT,WT/A2000,HYD,W/OSHUNT,	FEATURE 40422-01. WT/ A2000, WITHOUT SHUNT
	0015756		BOX ASSY,PDU,CAT,AT/MT,HYD,W/SHUNT,	FEATURE 40421, 40426 WITH FEATURE 40280-02. AT/ MT, WITH SHUNT
	0015757		BOX ASSY,PDU,CAT,AT/MT,HYD,W/O SHUNT,	FEATURE 40421, 40426. AT/ MT, WITHOUT SHUNT

Models: C3FE
PDU
With: FEATURE 40177, 40184, 40187

Key	PartNumber	Qty	Description	Comment
1A	0009471		BOX ASSY,PDU,W/SHUNT, HDFE	<i>FEATURE 40421, 40422-01, 40426 WITH FEATURE 40280-02 WITH OR WITHOUT 40076-03</i>
1A	0009473		BOX ASSY,PDU,W/O SHUNT, HDFE	<i>FEATURE 40421, 40422-01, 40426 WITH or WITHOUT FEATURE 40076-03</i>
1B	0001779		PLATE,MTG,PDU, HDFE & HDRE	
1C	0002434		COVER,PDU,HDFE/RE	
1D	0009562		LATCH,DRAW,OVER-CENTER,SOUTHCO 97-50	
1E	1334671		SCREW,8-32 X 3/8,F,PH1,PAN HD,YEL ZN DICH	
1F	1396555		CAPSCREW,HEX HD,5/16-18 X 1 1/2,GR 5,SST	
1G	0002699		WASHER,RUBBER,.125 THK X .25 ID X .75 OD	
1H	0002811		NUT,HEX HD,5/16-18.FLG,LK,NYL INS,YEL ZN	
1J	2001121		WASHER,FLAT,5/16 X 3/4,X 5/64,YEL ZN DICH	
1K	1465954		NUT,HEX HD,5/16-18,LK,NYLON INSERT,YEL	
1L	0002700		GASKET,PDU,HDFE/RE	
1M	0751883		SEALANT,SILICONE,CLEAR,CARTRIDGE	
1N	0001954		DECAL,FUSE PANEL INSIDE	
2A	1953165		BASE,MTG,RELAY/FUSE BLK,4 POSITION, RCDA	
2B	1868017		RELAY,POTTER BRUMFIELD VF4-15F11-S01	
2C	1953249		FUSE,MINI,5 AMPS,RCDA	
2D	0000276		FUSE,MINI,7.5 AMPS	
2E	1953207		FUSE,MINI,10 AMPS,RCDA	
2F	1953223		FUSE,MINI,15 AMPS,RCDA	
2G	1953215		FUSE,MINI,20 AMPS,RCDA	

Models: C3FE
PDU
With: FEATURE 40177, 40184, 40187

Key	PartNumber	Qty	Description	Comment
2H	1953199		FUSE,MINI,25 AMPS,RCDA	
2J	1953231		FUSE,MINI,30 AMPS,RCDA	
2K	1746387		RELAY,MICRO	
3A	1864362		FUSE,MEGA,200 AMP	
3B	1864404		HOLDER,FUSE,MEGA,LITTLE FUSE	
3C	1268119		SCREW,1/4-20X1/2,F,PH1,PAN HD,YEL ZN DICH	
3D	1166750		WASHER,FLAT,25/64 X 13/16X 5/64,YEL ZN	
4A	0004394		SOLENOID,75A,W/DIODE,BOSCH	
4B	1268119		SCREW,1/4-20X1/2,F,PH1,PAN HD,YEL ZN DICH	
5A	0004394		SOLENOID,75A,W/DIODE,BOSCH	
5B	1268119		SCREW,1/4-20X1/2,F,PH1,PAN HD,YEL ZN DICH	
6A	0002809		JUNCTION BLOCK,COOPER,C5268-4	
6B	1731017		SCREW,12-24 X 7/8,F,PH1,FLT CNSK HD,BLK	
6C	1247709		WASHER,FLAT,17/64 ID X,5/8,YEL ZN DICH	
6D	2001170		LOCKWASHER,SPLIT RING, 1/4 ,MED,YEL ZN	
6E	2001337		NUT,HEX HD,1/4-20,ZINC	
7A	0002809		JUNCTION BLOCK,COOPER,C5268-4	
7B	1731017		SCREW,12-24 X 7/8,F,PH1,FLT CNSK HD,BLK	
7C	1247709		WASHER,FLAT,17/64 ID X,5/8,YEL ZN DICH	
7D	2001170		LOCKWASHER,SPLIT RING, 1/4 ,MED,YEL ZN	
7E	2001337		NUT,HEX HD,1/4-20,ZINC	
8A	0015104		SHUNT,AMMETER,VDO,150A	
8B	1164821		SCREW,10-16 X 3/4,AB,PH1,TRUSS HD, YEL ZN	

Models: C3FE
PDU
With: FEATURE 40177, 40184, 40187

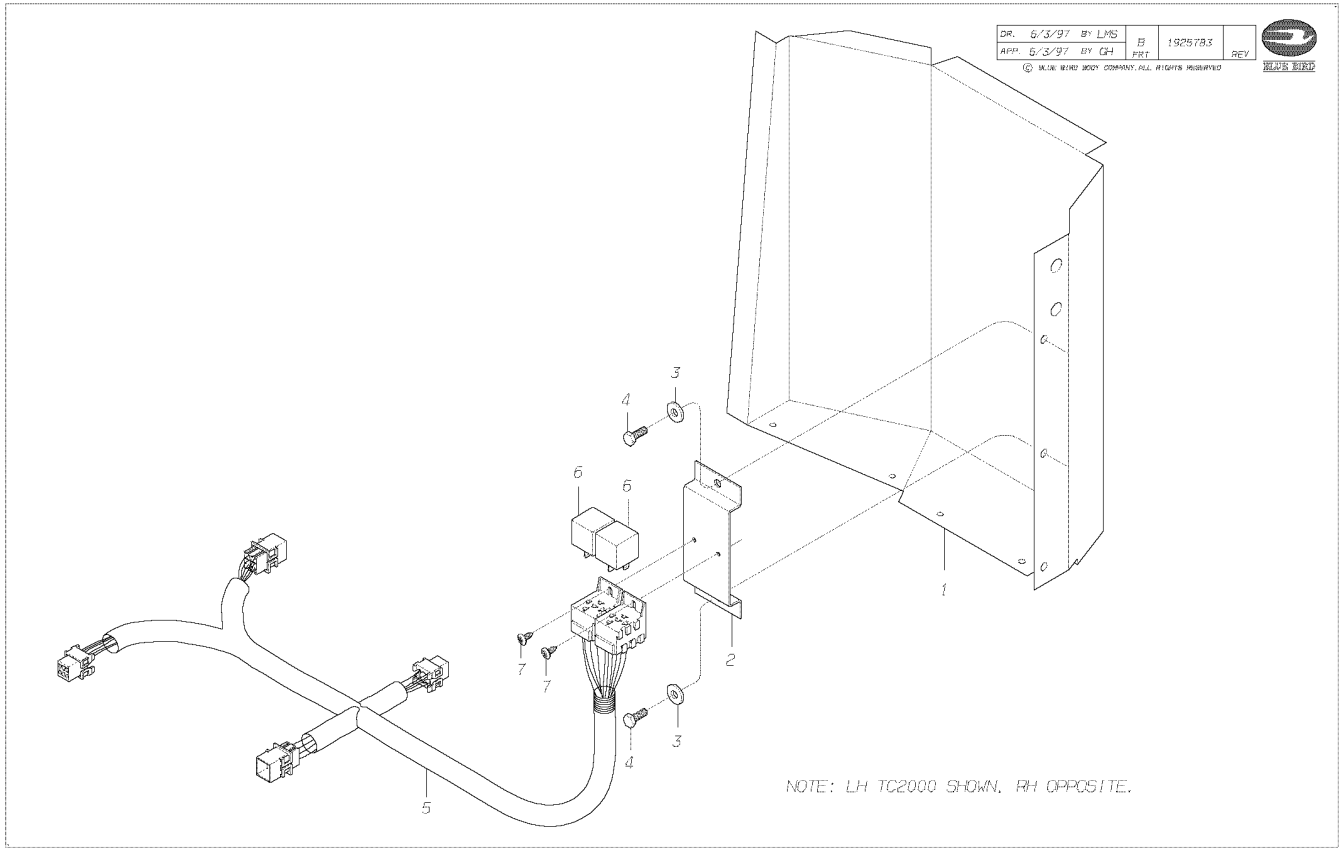
Key	PartNumber	Qty	Description	Comment
8C	1166750		WASHER,FLAT,25/64 X 13/16X 5/64,YEL ZN	
9A	0553131		STUD,TERMINAL,BAT CABLE JUNCTION,NO	
9B	1062124		SCREW,1/4-14 X 1,AB,PH1,PAN HD,YEL ZN	
9C	0839027		NUT,HEX HD,3/8-16,GR G,SM FLG LK,YEL	
10	0015637		HARNES,WRG,PDU,CUMN,AIR BRAKE., HDFE	FEATURE 40177, 40184 WITH FEATURE 40421, 40422-01, 40426 WITH or WITHOUT FEATURE 40280-02
10	0015638		HARNES,WRG,PDU,CUMN,HYD BRAKE., HDFE	FEATURE 40177, 40184 WITH FEATURE 40421, 40422-01, 40426 WITH or WITHOUT FEATURE 40280-02 WITH 40076-03
10	0015639		HARNES,WRG,PDU,CAT,AIR BRAKES, HDFE	FEATURE 40187 WITH FEATURE 40421, 40422-01, 40426 WITH or WITHOUT FEATURE 40280-02
10	0015640		HARNES,WRG,PDU,CAT,HYD BRAKES, HDFE	FEATURE 40187 WITH FEATURE 40421, 40422-01, 40426 WITH or WITHOUT FEATURE 40280-02 WITH 40076-03
10	0002661		GASKET,CONNECTOR,18 SHELL,DEUTSCH	
10	0000092		LOCKWASHER,BLKHD,HD30,SIZE 18,DEUTSCH	
10	0000090		NUT,PANEL,BLKHD,HD30,SIZE 18,DEUTSCH	
10	0002662		GASKET,CONNECTOR,24 SHELL,DEUTSCH	
10	1985001		LOCKWASHER,BLKHD,HD30,SIZE 24,DEUTSCH	
10	1984996		NUT,PANEL,BLKHD,HD30,SIZE 24,DEUTSCH	
11	0015611		DECAL,PDU,CUMN,WT/A2000,AIR,W/SHUNT.,	FEATURE 40422-01 WITH FEATURE 40280-02
	0015612		DECAL,PDU,CUMN,WT/A2000,AIR,W/O SHUNT,	FEATURE 40422-01
	0015613		DECAL,PDU,CUMN,AT/MT,AIR,W/SHUNT., HDFE	FEATURE 40421, 40426 WITH FEATURE 40280-02
	0015614		DECAL,PDU,CUMN,AT/MT,AIR,W/O SHUNT,	FEATURE 40421, 40426

Models: C3FE
PDU
With: FEATURE 40177, 40184, 40187

Key	PartNumber	Qty	Description	Comment
	0015615		DECAL,PDU,CAT,WT/A2000,AIR,W/SHUNT,	FEATURE 40422-01 WITH FEATURE 40280-02
	0015616		DECAL,PDU,CAT,WT/A2000,AIR,W/O SHUNT,	FEATURE 40422-01
	0015617		DECAL,PDU,CAT,AT/MT,AIR,W/SHUNT, HDFE	FEATURE 40421, 40426 WITH FEATURE 40280-02
	0015618		DECAL,PDU,CAT,AT/MT,AIR,W/O SHUNT, HDFE	FEATURE 40421, 40426
	0015619		DECAL,PDU,CUMN,WT/A2000,HYD,W/SHUNT.,	FEATURE 40422-01 WITH FEATURE 40280-02 WITH FEATURE 40076-03
	0015620		DECAL,PDU,CUMN,WT/A2000,HYD,W/O SHUNT,	FEATURE 40422-01 WITH FEATURE 40076-03
	0015621		DECAL,PDU,CUMN,AT/MT,HYD,W/SHUNT., HDFE	FEATURE 40421, 40426 WITH FEATURE 40280-02 WITH FEATURE 40076-03
	0015622		DECAL,PDU,CUMN,AT/MT,HYD,W/O SHUNT,	FEATURE 40421, 40426 WITH FEATURE 40076-03
	0015623		DECAL,PDU,CAT,WT/A2000,HYD,W/SHUNT,	FEATURE 40422-01 WITH FEATURE 40280-02 WITH FEATURE 40076-03
	0015624		DECAL,PDU,CAT,WT/A2000,HYD,W/O SHUNT,	FEATURE 40422-01 WITH FEATURE 40076-03
	0015625		DECAL,PDU,CAT,AT/MT,HYD,W/SHUNT, HDFE	FEATURE 40421, 40426 WITH FEATURE 40280-02 WITH FEATURE 40076-03
	0015626		DECAL,PDU,CAT,AT/MT,HYD,W/O SHUNT, HDFE	FEATURE 40421, 40426 WITH FEATURE 40076-03
12	0002212		BOOT,HEAT SHRINKABLE,RAYCHEM CES-2	
12	0002220		BOOT,HEAT SHRINKABLE,RAYCHEM CES-3	
13	0001303		CABLE ASSY,POWER FEED TO MEGAFUSE,	
14	1674811		TIE,CABLE,NYLON,PANDUIT NO. PTL2I-C30	
14	0004982		BRACKET,CLAMPING,HARNESS TO PDU	
14	0007643		DESSICANT,SILICA GEL,1/2 UNIT	

Models: C3FE
RELAYS, TURN SIGNAL

Key	PartNumber	Qty	Description	Comment
-----	------------	-----	-------------	---------

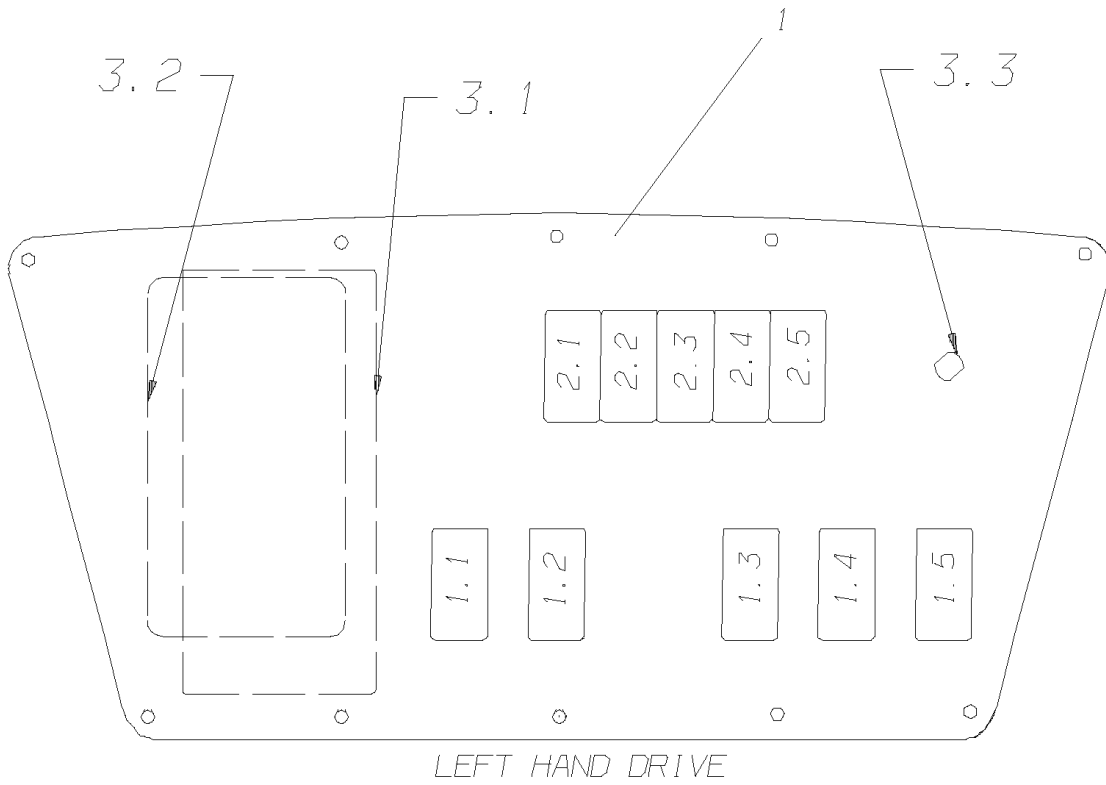


**Models: C3FE
RELAYS, TURN SIGNAL**

Key	PartNumber	Qty	Description	Comment
1	0007940		PANEL ASSY,CLOSEOUT,DRIVER SIDE,TC/QB	
2	1920305		BRACKET,MTG,RELAY,TURN SIGNAL, TC/CS/QB	
3	2001121	2	WASHER,FLAT,5/16 X 3/4,X 5/64,YEL ZN DICH	
4	0807958	2	CAPSCREW,HEX HD,1/4-20X 1/2,GR8,YEL ZN	
5	1918424		HARNES,WRG,TURN SIGNAL IMPROVEMENT,	
6	1868017	2	RELAY,POTTER BRUMFIELD VF4-15F11-S01	
7	2186401	2	SCREW,10-16 X 1/2,AB,PH1,PAN HD,YEL ZN	

Models: C3FE
SWITCH PANEL
SHIFTER

Key	PartNumber	Qty	Description	Comment
-----	------------	-----	-------------	---------



Models: C3FE
SWITCH PANEL
SHIFTER

Key	PartNumber	Qty	Description	Comment
	0027358		PANEL ASSY,SWITCH,SHIFTER,	STANDARD. LH DRIVE
	0029136		PANEL ASSY,SWITCH,SHIFTER,	FEATURE 3480. RH DRIVE
	0030779		PANEL ASSY,SWITCH,SHIFTER,W/COMP,	FEATURE 3075. FRENCH BILINGUAL
1	0029988		PANEL,SWITCH,SHIFTER PANEL,LHD,SERVICE	
	0029842		PANEL,SWITCH,SHIFTER PANEL,RHD,SERVICE	
1.1	0027328		ROCKER,BUTTON,NGR,DOOR,SERVICE	
	0028030		ROCKER,BUTTON,NGR,DOOR,SERVICE,	FEATURE 03075
	0027292		SWITCH,BASE,NGR,DPDT,MOM ON-OFF-MOM	FEATURE 30978-06
	0027296		SWITCH,BASE,NGR,SPDT,MOM ON-OFF-MOM	FEATURE 30978-04
	0035240		SWITCH,BASE,NGR,DPST,ON-ON-ON	FEATURE 30978-07. AIR
1.2	0027329		ROCKER,BUTTON,NGR,DOOR,EXIT	FEATURE 0472, 0475
	0028031		ROCKER,BUTTON,NGR,DOOR,EXIT,FR/BLNGL	FEATURE 0472, 0475 WITH FEATURE 03075.
	0027296		SWITCH,BASE,NGR,SPDT,MOM ON-OFF-MOM	MOM ON-OFF-MOM ON. AIR
			LOCATIONS 1.3, 1.4, 1.5, 2.1, 2.2, 2.3, 2.4,	
	0027305		ROCKER,BUTTON,NGR,CROSS ARM,CANCEL	FEATURE 30227-01
	0027303		ROCKER,BUTTON,NGR,STOP ARM CANCEL	FEATURE 30227-02
	0027306		ROCKER,BUTTON,NGR,STOP/CROSS ARM,	FEATURE 30227-03
	0027289		SWITCH,BASE,NGR,SPST,OFF-MOM ON	
	0027308		ROCKER,BUTTON,NGR,CROSS ARM,LIGHT	FEATURE 30286-03
	0027307		ROCKER,BUTTON,NGR,STOP ARM,STROBE,HI,LO	FEATURE 30297-03
	0027285		SWITCH,BASE,NGR,SPST,ON-ON,HIGH	
	0027581		ROCKER,BUTTON,NGR,W/L,MASTER,RED	FEATURE 30218-01
	0027287		SWITCH,BASE,NGR,SPST,IND,OFF-ON	

Models: C3FE
SWITCH PANEL
SHIFTER

Key	PartNumber	Qty	Description	Comment
	0027299		ROCKER,BUTTON,NGR,W/L,MASTER,GREEN	FEATURE 30218-02
	0027287		SWITCH,BASE,NGR,SPST,IND,OFF-ON	
	0027302		ROCKER,BUTTON,NGR,W/L,EMERGENCY	FEATURE 30222-04
	0027290		SWITCH,BASE,NGR,DPST,OFF-ON,RED	
	0027302		ROCKER,BUTTON,NGR,W/L,EMERGENCY	FEATURE 30222-05
	0027714		SWITCH,BASE,NGR,DPST,OFF-MOM ON,RED	
	0027300		ROCKER,BUTTON,NGR,W/L,START	FEATURE 30225-01
	0027295		SWITCH,BASE,NGR,SPST,OFF-MOM ON,AMBER	
	0027301		ROCKER,BUTTON,NGR,W/L,SELECT START	FEATURE 30225-02
	0027288		SWITCH,BASE,NGR,SPDT,ON-OFF-MOM-ON	
	0027335		INDICATOR,W/L,MONITOR,RED	FEATURE 30228-01
	0027334		INDICATOR,W/L,RED/AMBER	FEATURE 30228-02
	0027477		INDICATOR,W/L,MONITOR,AMBER	FEATURE 30228-03
3.1			PUSH BUTTON SHIFT SELECTOR	SEE GROUP 160 (TRANSMISSION).
3.2			HANDLE SHIFT SELECTOR	SEE GROUP 160 (TRANSMISSION).
3.3			HEATER WATER REGULATING VALVE	SEE GROUP 370 (HEATERS).
			THE FOLLOWING IS FOR UNITS W3075 FRENCH	
	0028012		ROCKER,BUTTON,NGR,CRS ARM,CANCEL,	FEATURE 30227-01
	0028011		ROCKER,BUTTON,NGR,STOP ARM,CANCEL,	FEATURE 30227-02
	0028013		ROCKER,BUTTON,NGR,S/CRS ARM,CANCEL,	FEATURE 30227-03
	0027289		SWITCH,BASE,NGR,SPST,OFF-MOM ON	
	0028015		ROCKER,BUTTON,NGR,CRS ARM,LGT,FR/BLNGL	FEATURE 30286-03
	0028014		ROCKER,BUTTON,NGR,S/A,STROBE,HI/LO,	FEATURE 30297-03

Models: C3FE
SWITCH PANEL
SHIFTER

Key	PartNumber	Qty	Description	Comment
	0027285		SWITCH,BASE,NGR,SPST,ON-ON,HIGH FOR LOCATIONS 2.1, 2.2, 2.3, 2.4, 2.5 COMPONENTS ARE LOCATED PER FEATURE ROCKER, BUTTON, NGR	
	0028035		ROCKER,BUTTON,NGR,W/L,MASTER,RD,	FEATURE 30218-01
	0028008		ROCKER,BUTTON,NGR,W/L,MASTER,GN,	FEATURE 30210-02
	0028287		PANTRY,PULL-OUT,FP-A,KIT SLIDE,LAMINATE,	
	0028010		ROCKER,BUTTON,NGR,W/L,EM OVERRIDE, SWITCH, BASE, NGR	
	0027290		SWITCH,BASE,NGR,DPST,OFF-ON,RED	FEATURE 30222-04
	0027714		SWITCH,BASE,NGR,DPST,OFF-MOM ON,RED	FEATURE 30222-05
	0028009		ROCKER,BUTTON,NGR,W/L,MANUAL,FR/BLNGL FRENCH/BILINGUAL	FEATURE 30225-01
	0027295		SWITCH,BASE,NGR,SPST,OFF-MOM ON,AMBER	
	0027341		INDICATOR,W/L,MONITOR,RED,FR/BLNGL	FEATURE 30228-01
	0027340		INDICATOR,W/L,RED/AMBER,FR/BLNGL	FEATURE 30228-02

Models: C3FE
SWITCHES
DOOR
With: OPTION 2229, 2230

Key	PartNumber	Qty	Description	Comment
NI	1126176		SWITCH,MOMENTARY,SPST NC	OPTION 2229 - LIFT DOOR LIGHT SWITCH
	0812743		STRIKER,MICRO SWITCH FOOT, EXCB	OPTION 2229 - LIFT DOOR LIGHT SWITCH
	0812735		BRACKET,BUZZER & PUMP,MICRO-SWITCH	OPTION 2229 - LIFT DOOR LIGHT SWITCH
	1351063		PLUG,BUTTON,BLACK,DP-500,HEYCO 2643	OPTION 2229 - LIFT DOOR LIGHT SWITCH
	1073311		NUT,PANEL,HEX HD,1/2-20,YEL ZN DICH	OPTION 2229 - LIFT DOOR LIGHT SWITCH
NI	1126176		SWITCH,MOMENTARY,SPST NC	OPTION 2230 - DOOR SWITCH FOR STEPWELL LIGHT. MOUNTS ON LEFT SIDE OF DOOR CONTROL BRACKET.
	1126184		SWITCH,MOMENTARY,SPST NO	OPTION 2230 - DOOR SWITCH FOR STEPWELL LIGHT. MOUNTS ON RIGHT SIDE OF DOOR CONTROL BRACKET.
	1073311		NUT,PANEL,HEX HD,1/2-20,YEL ZN DICH	OPTION 2230 - DOOR SWITCH FOR STEPWELL LIGHT
NI	1940873		SWITCH ASSY,STOPLIGHT PRESSURE	OPTION 2230 WITH OPTION 275 -02
	0654277		TEE,STREET,1/4 PIPE,3750X4	OPTION 2230 WITH OPTION 275 -02
NI	1124411		SWITCH,ADJUSTABLE,DPST (NC)	OPTION 2230 WITH OPTION 2016, 2021, 2027, 3178, 3179, 6720

Models: C3FE
 SWITCHES
 WINDSHIELD WIPER
 With: STD

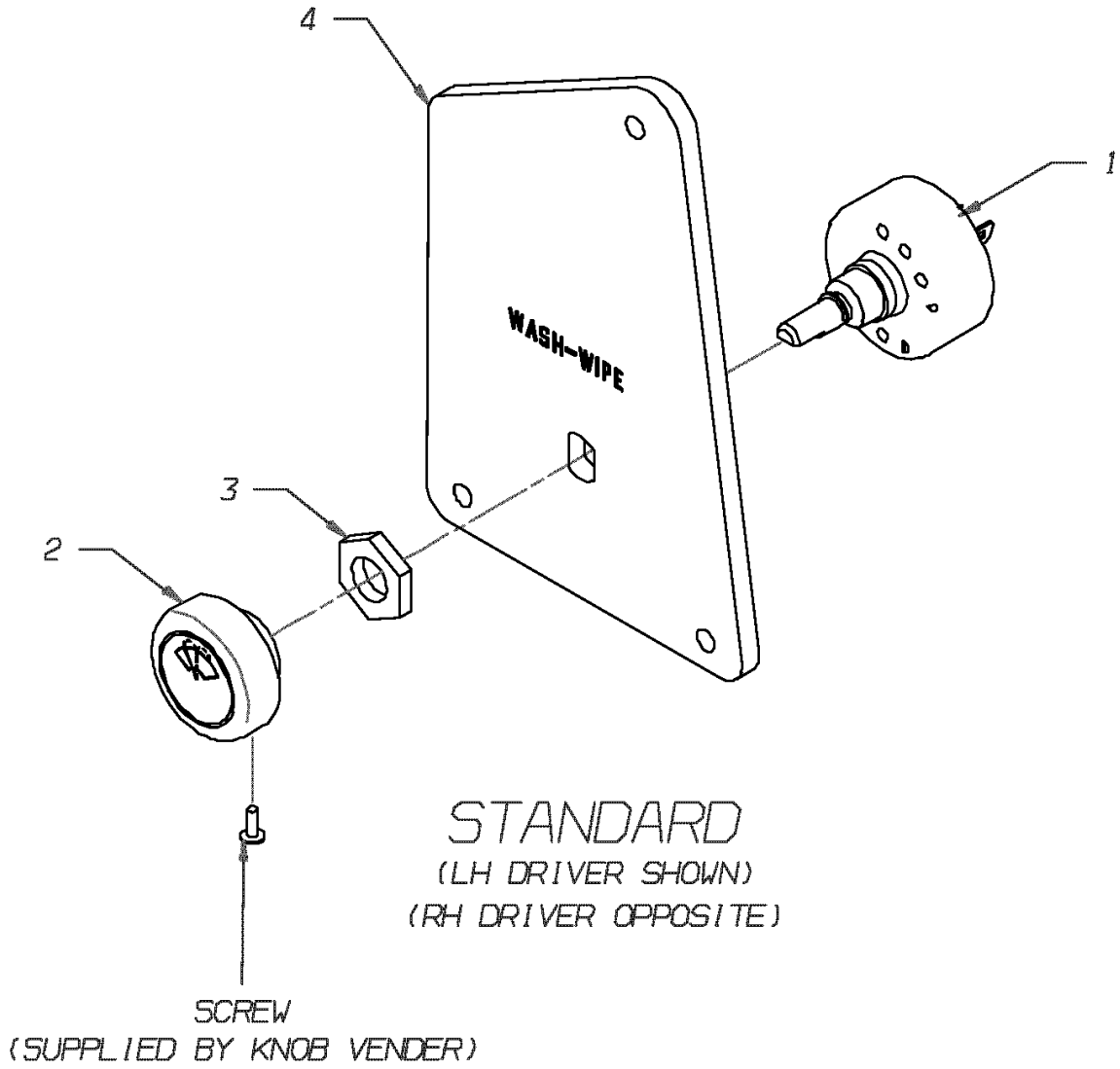
Key	PartNumber	Qty	Description	Comment
-----	------------	-----	-------------	---------

DR. 03-07-01	BY MC		00298411	A
APP.	BY	FRT		REV



© BLUE BIRD BODY COMPANY. ALL RIGHTS RESERVED

W.I.E. BIRD



Models: C3FE
SWITCHES
WINDSHIELD WIPER
With: STD

Key	PartNumber	Qty	Description	Comment
1	1429562		SWITCH,DUAL W/S WIPER,ELECTRIC,CH75226	
2	1296441		KNOB,WSW/WSWSH SW,CH81298-33	
3	1354646		NUT,PANEL,HEX HD,7/16-28,YEL ZN DICH	
4	0031485		PANEL,W/S WIPER,LHD,FEA 3444-01 & 3444-03	<i>LH DRIVE. STANDARD; FEATURE 3444-01.</i>
4	0031488		PANEL,W/S WIPER,RHD,FEA 3444-01 & 3444-03	<i>RH DRIVE. STANDARD; FEATURE 3444-01 WITH FEATURE 3480.</i>

Models: C3FE
 SWITCHES
 WINDSHIELD WIPER
 With: FEATURE 3443

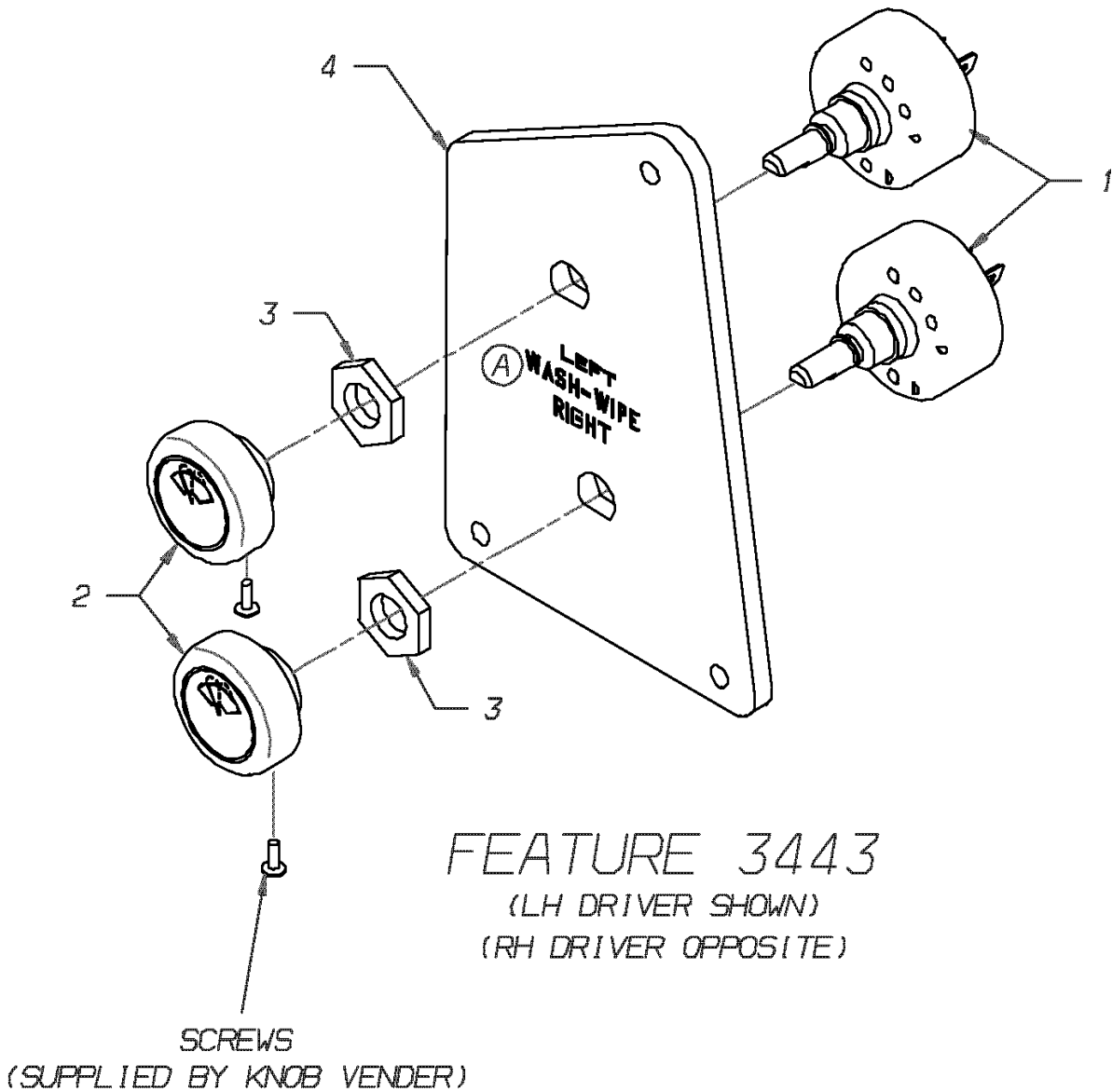
Key	PartNumber	Qty	Description	Comment
-----	------------	-----	-------------	---------

DR. 03-06-01	BY MC		00298412	A
APP.	BY	FRT		REV



© BLUE BIRD BODY COMPANY, ALL RIGHTS RESERVED

BLUE BIRD



Models: C3FE
SWITCHES
WINDSHIELD WIPER
With: FEATURE 3443

Key	PartNumber	Qty	Description	Comment
1	0003488	2	SWITCH,W/S WIPER,ELECTRIC	
2	1272590	2	KNOB,WINDSHIELD WIPER,INTERMITTENT	
3	1354646	2	NUT,PANEL,HEX HD,7/16-28,YEL ZN DICH	
4	0031486		PANEL,W/S WIPER,LHD,FEA 3443	<i>STANDARD. LH DRIVE</i>
4	0031489		PANEL,W/S WIPER,RHD,FEA 3443	<i>FEATURE 3480. RH DRIVE</i>

Models: C3FE
SWITCHES
WINDSHIELD WIPER
With: FEATURE 3444-01

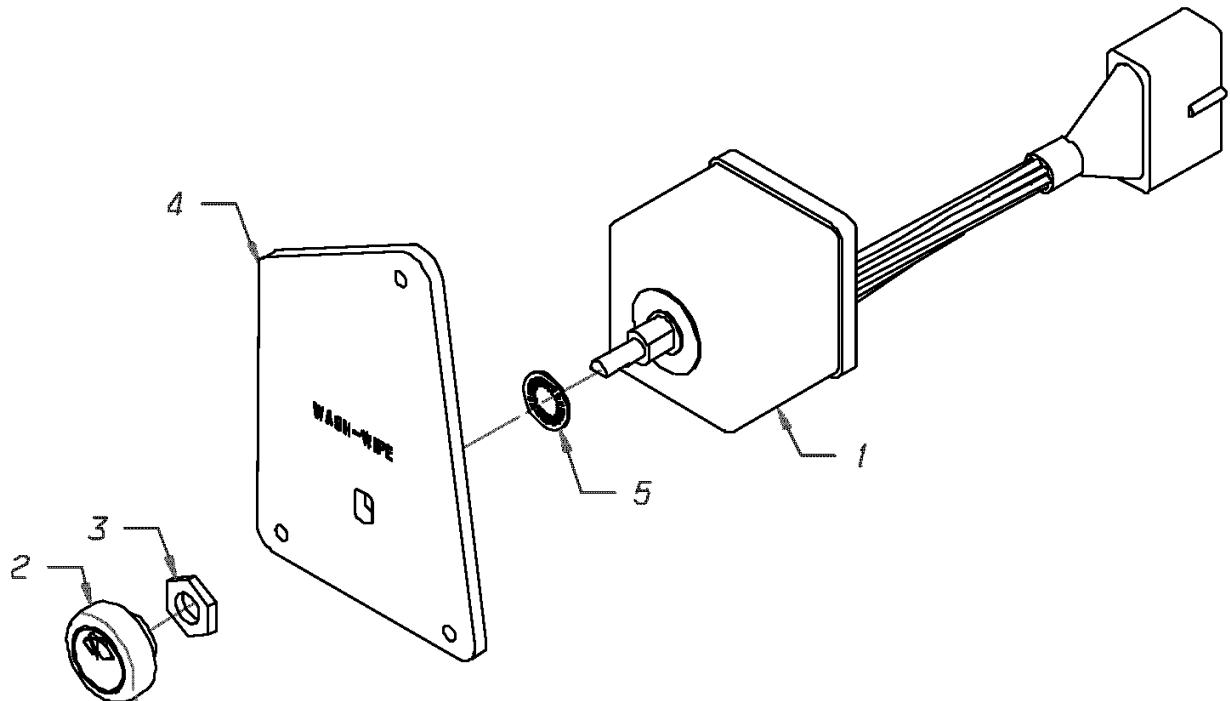
Key	PartNumber	Qty	Description	Comment
-----	------------	-----	-------------	---------

DR. 3-06-01	BY MC		00298413	A
APP.	BY	FRT		REV



© BLUE BIRD BODY COMPANY. ALL RIGHTS RESERVED

BLUE BIRD



FEATURE 3444-01

(LH DRIVE SHOWN)

(RH DRIVE OPPOSITE)

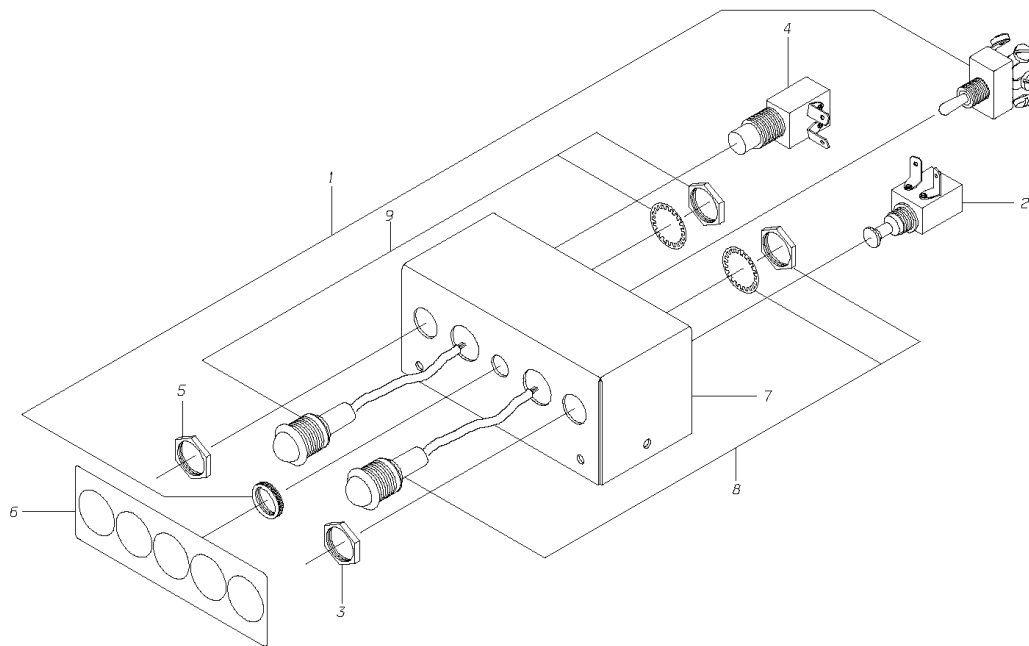
SCREW
(SUPPLIED BY KNOB VENDER)

Models: C3FE
SWITCHES
WINDSHIELD WIPER
With: FEATURE 3444-01

Key	PartNumber	Qty	Description	Comment
1	1429620		SWITCH,DUAL W/S WIPER,INTERM,CH75601-08	
2	1272590		KNOB,WINDSHIELD WIPER,INTERMITTENT	
3	1354646		NUT,PANEL,HEX HD,7/16-28,YEL ZN DICH	
4			PANEL, W/S WIPER	
4	0031485		PANEL,W/S WIPER,LHD,FEA 3444-01 & 3444-03	<i>LH DRIVE. STANDARD & FEATURE 3444-01.</i>
4	0031488		PANEL,W/S WIPER,RHD,FEA 3444-01 & 3444-03	<i>RH DRIVE. STANDARD & FEATURE 3444-01 WITH FEATURE 3480.</i>
5			STAR WASHER	<i>SUPPLIED WITH SWITCH</i>

Models: C3FE
With: WARNING LAMP CONTROL BOX
 OPTION 2147

Key	PartNumber	Qty	Description	Comment
-----	------------	-----	-------------	---------



Models: C3FE
With: WARNING LAMP CONTROL BOX
 OPTION 2147

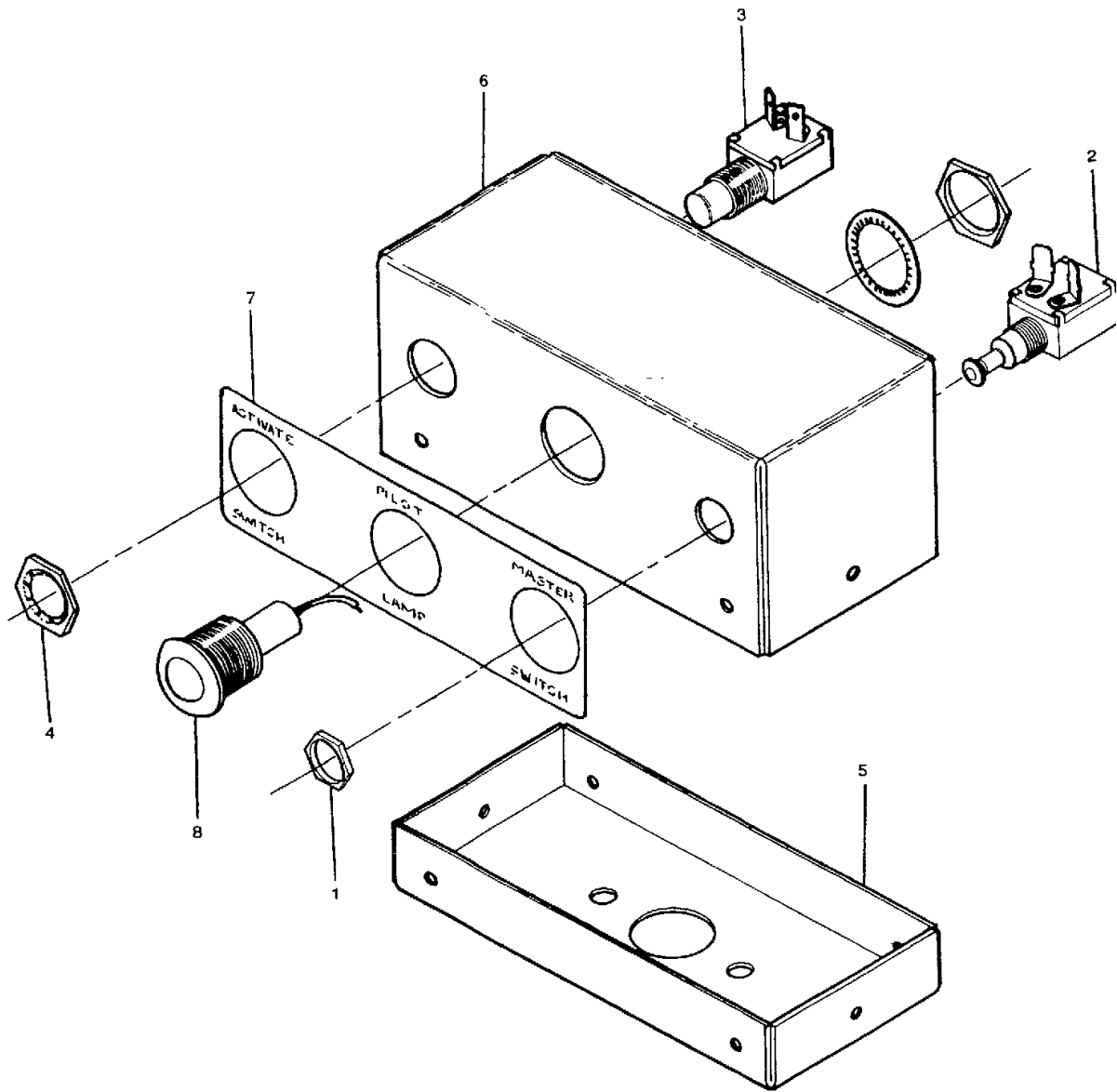
Key	PartNumber	Qty	Description	Comment
	1426196		BOX ASSY,CONTROL,WARNING LAMP,	STANDARD, DELUXE, OR POWER DOOR CONTROL
1	0416628		SWITCH,TOGGLE,DPDT,ON-OFF,CH5590	
2	1499102		SWITCH,2 POSN,ACCESSORY	STANDARD, DELUXE, OR POWER DOOR CONTROL
3	1073311		NUT,PANEL,HEX HD,1/2-20,YEL ZN DICH	
4	1155241		SWITCH,MANUAL	
5	1169408		NUT,PANEL,HEX,625-32NF 1/8,YEL ZN DICH	
6	1347194		DECAL,WARNING LAMP CONTROL PANEL,	
7	1426188		BOX,CONTROL,W/L W/OVERRIDE SW,AIR	STANDARD, DELUXE, OR POWER DOOR CONTROL
NI	1426055		BRACKET,ATTACHING,W/L CTRL BOX,AIR DR,	STANDARD, DELUXE, OR POWER DOOR CONTROL
8	2006799		LIGHT,PILOT,AMBER,17/32IN,PL-19AC-10	
9	2006807		LIGHT,PILOT,RED,17/32IN,PL-19RC-10	
NI	0663203		RELAY,PILOT LIGHT,OPT 2146	STANDARD, DELUXE, OR POWER DOOR CONTROL
NI	1161876		RELAY,ISO,W/O TAB	STANDARD DOOR CONTROL
NI	1077718		RELAY,BOSCH,0-332-209-161,30 AMP	DELUXE OR POWER DOOR CONTROL

Models: C3FE
 With: WARNING LAMP CONTROL PANEL
 OPTION 2128

Key	PartNumber	Qty	Description	Comment
-----	------------	-----	-------------	---------

DR 8-17-87 BY SRW	8006843
APP 8-17-87 BY DL	

FRONT © 1987 BLUE BIRD BODY COMPANY ALL RIGHTS RESERVED



Models: C3FE
With: WARNING LAMP CONTROL PANEL
 OPTION 2128

Key	PartNumber	Qty	Description	Comment
1	1073311		NUT,PANEL,HEX HD,1/2-20,YEL ZN DICH	
2	1499102		SWITCH,2 POSN,ACCESSORY	
3	1155241		SWITCH,MANUAL	
4	1169408		NUT,PANEL,HEX,625-32NF 1/8,YEL ZN DICH	
5	1426055		BRACKET,ATTACHING,W/L CTRL BOX,AIR DR,	
6	1538743		PANEL,WARNING LAMP CONTROL,MINNESOTA	
NI	1520758		BRACKET,SWITCH MTG,W/LAMP SW,DLX	
7	1347202		DECAL,WARNING LAMP CONTROL PANEL,	
8	2006807		LIGHT,PILOT,RED,17/32IN,PL-19RC-10	