

Chassis

090 Frame

BUMPERS

FRONT

WITH PIVOTING FEATURE

With: FEATURE 40088-01 WITH 40112-02, 40411-01, 40088-05 1

WITHOUT PIVOTING FEATURE

With: FEATURE 40088-01 WITH 40112-01 2

REAR

With: STD; OPTION 3393 3

FRAME ASSEMBLY

With: STD 4

TIRE CARRIER

SIDE FRAME MOUNTING

*With: FEATURE 40395-01; OPTION 5281-02, 7802-02, 7803-02
From CSN 30079480; 01/22/01* 5

TOW HOOKS

FRONT

WITH PIVOTING FEATURE

With: FEATURE 40411-01 WITH 40112-02 6

WITHOUT PIVOTING FEATURE

With: FEATURE 40411-01 WITH 40112-01 7

REAR

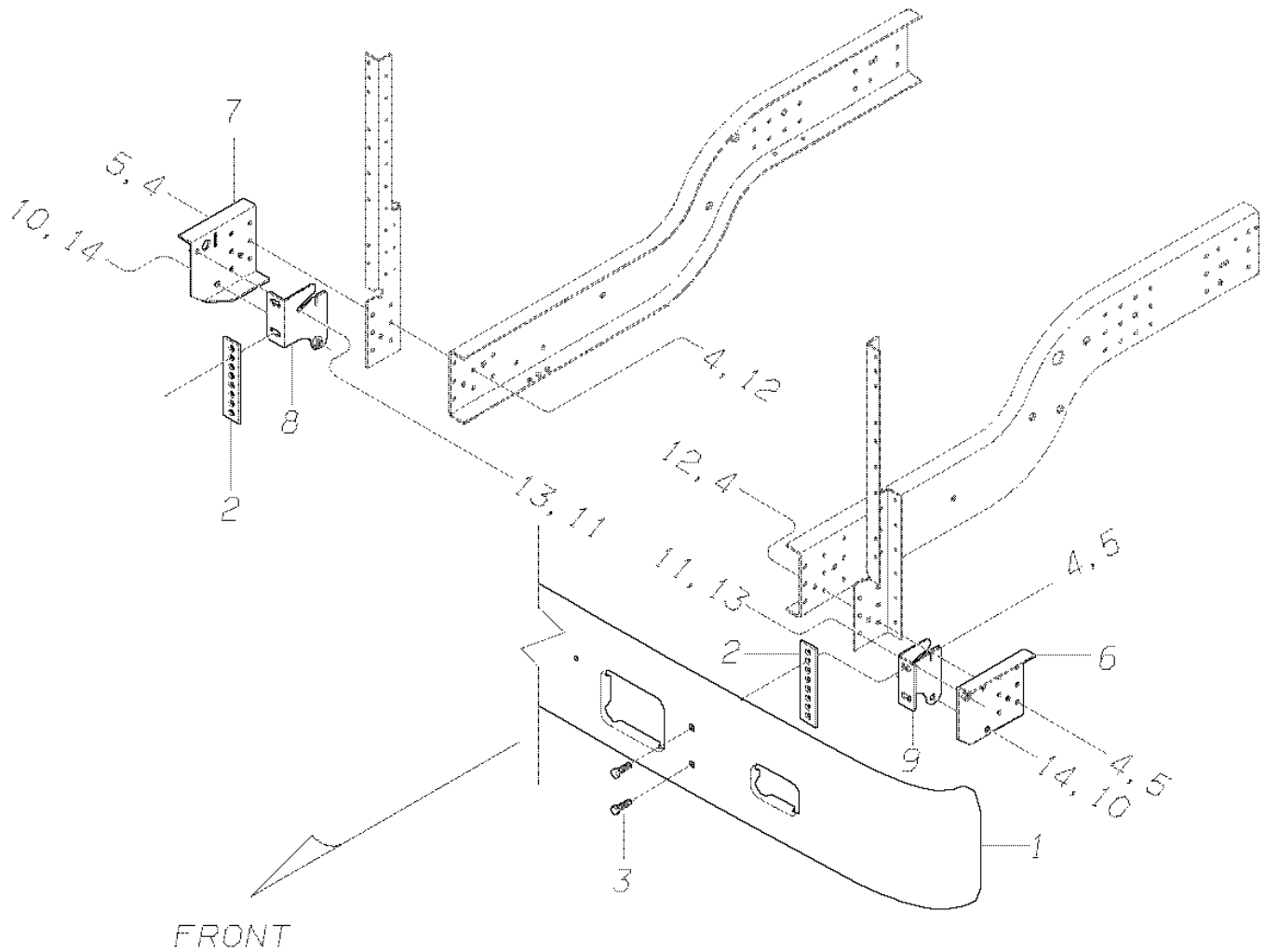
With: FEATURE 40411-02 8

Models: A3FE, C3FE
BUMPERS
FRONT
WITH PIVOTING FEATURE
With: FEATURE 40088-01 WITH 40112-02, 40411-01, 40088-05

Key	PartNumber	Qty	Description	Comment
-----	------------	-----	-------------	---------

DR. 8/28/98	BY JL	---	19779661	
APP. 8/28/98	BY AB	FRT		REV

© BLUE BIRD BODY COMPANY. ALL RIGHTS RESERVED



Models: A3FE, C3FE
BUMPERS
FRONT
WITH PIVOTING FEATURE
With: FEATURE 40088-01 WITH 40112-02, 40411-01, 40088-05

Key	PartNumber	Qty	Description	Comment
1	0009365	1	BUMPER,FRT,12,.25 THK,W/AIR,W/STEP,	
1	0008062	1	BUMPER,FRT,12,.25 THK,W/AIR,PAINTED	WITH AIR, PAINTED. C3FE
1	0009456	1	BUMPER,FRT,12,.25 THK,W/AIR,W/STEP,	WITH AIR, W/ STEP, CHROME. FEAT 40088-05
2	1679232	2	PLATE,SPACER,BUMPER,QBRE	
3	0001961	4	BOLT,1/2-13 X 1.50,ROUND SOCKET HEAD	
3	0005504	4	BOLT,CARRIAGE,1/2-13 X 3 1/2 18-8 SST	WITH FEATURE 40088-05 ONLY
4	1003045	AR	WASHER,FLAT,17/32 X 1 1/16 X 7/64,HDN,	
5	0850800	AR	NUT,HEX HD,1/2-13,LOCKING,GR 8,CAD WAX	
6	1977859	1	BRACKET ASSY,BUMPER,PIVOTING,FRAME MTD,	
7	1977842	1	BRACKET ASSY,BUMPER,PIVOTING,FRAME MTD,	
8	1977941	1	BRACKET ASSY,BUMPER,PIVOTING,RH,HDFE	
9	1977958	1	BRACKET ASSY,BUMPER,PIVOTING,LH,HDFE	
10	0014654	AR	CAPSCREW,HEX HD,3/4-10X2.00,GR8,	
11	1107895	2	CAPSCREW,HEX HD,5/8-11 X 2,GR8,YEL ZN	
12	0803205	AR	CAPSCREW,HEX HD,1/2-13 X 2,GR 8,YEL ZN	
13	0870907	2	WASHER,FLAT,11/16 X 1 3/16 X 1/8,BLK ZN	
14	2001238	AR	LOCKWASHER,SPLIT RING, 3/4 ,LHT,YEL ZN	
15	2001220	2	LOCKWASHER,SPLIT RING, 5/8 ,LHT,YEL ZN	

Models: A3FE, C3FE
BUMPERS
FRONT
WITHOUT PIVOTING FEATURE
With: FEATURE 40088-01 WITH 40112-01

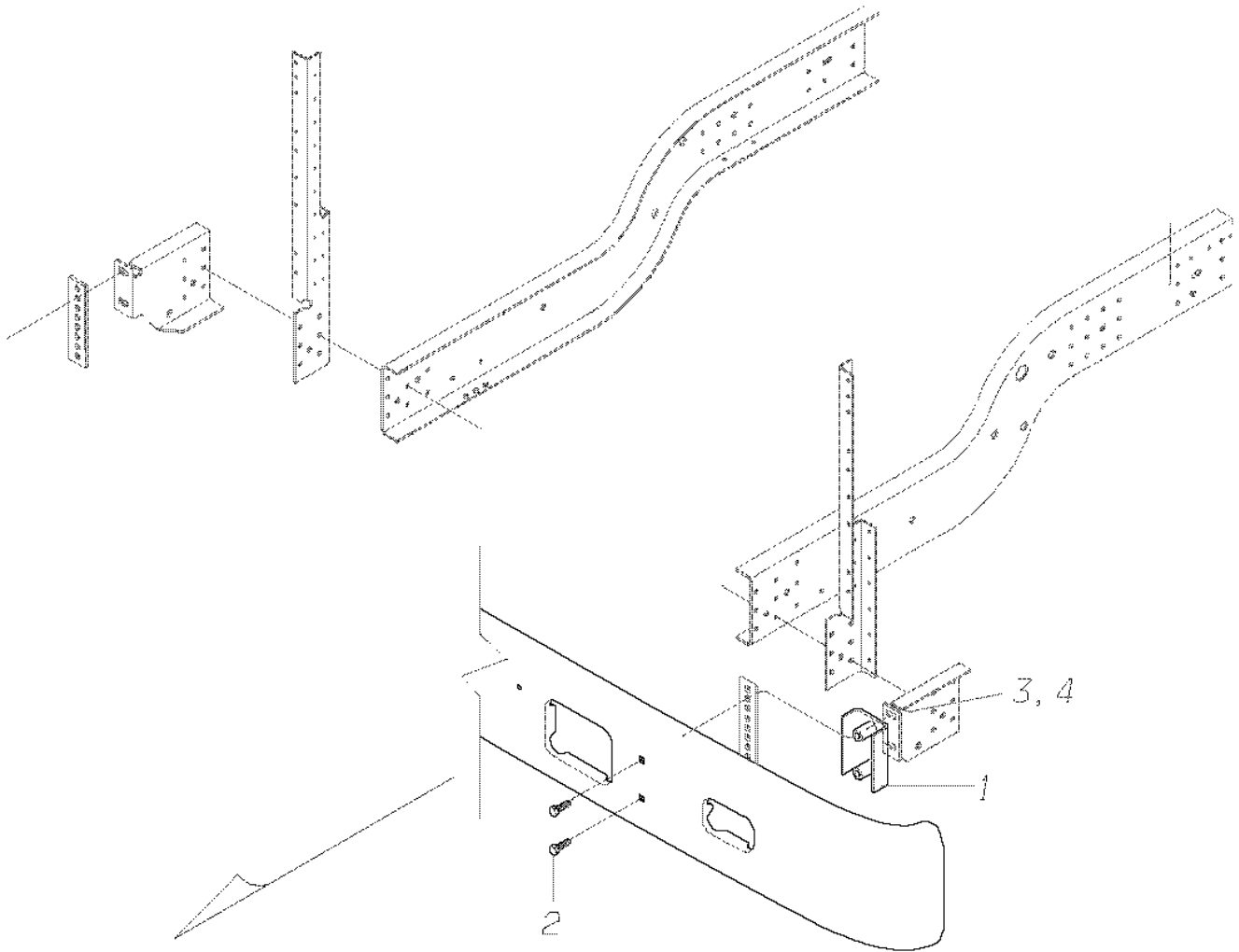
Key	PartNumber	Qty	Description	Comment
-----	------------	-----	-------------	---------

DR. 8/28/98 BY JL	---	19779653	REV
APP. 8/28/98 BY AB	FRT		



© BLUE BIRD BODY COMPANY. ALL RIGHTS RESERVED

BLUE BIRD



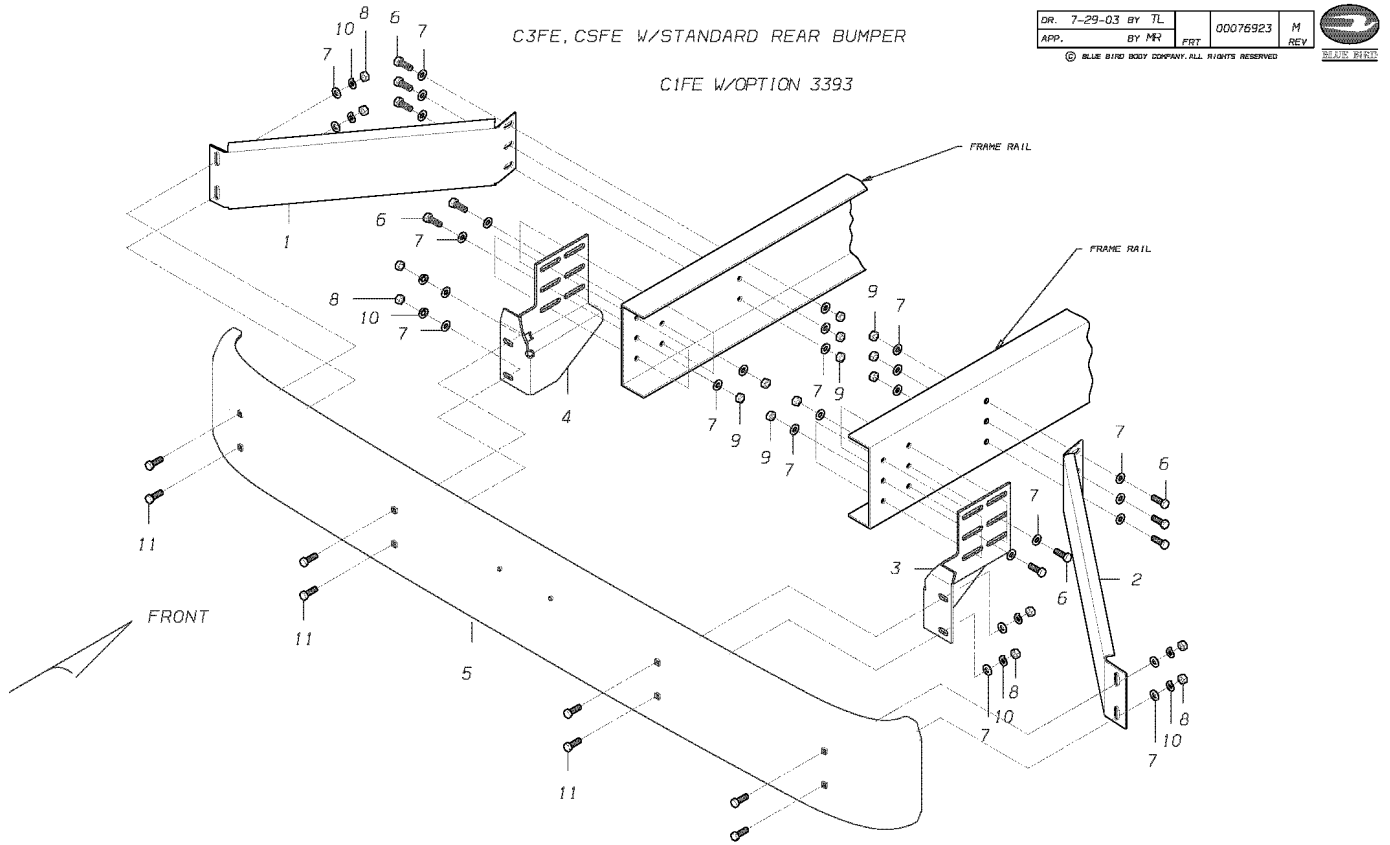
FRONT

Models: A3FE, C3FE
BUMPERS
FRONT
WITHOUT PIVOTING FEATURE
With: FEATURE 40088-01 WITH 40112-01

Key	PartNumber	Qty	Description	Comment
1	0009365	1	BUMPER,FRT,12,.25 THK,W/AIR,W/STEP,	
1	0008062	1	BUMPER,FRT,12,.25 THK,W/AIR,PAINTED	<i>WITH AIR, PAINTED. C3FE</i>
2	1679232	2	PLATE,SPACER,BUMPER,QBRE	
3	0001961	4	BOLT,1/2-13 X 1.50,ROUND SOCKET HEAD	
4	1003045	AR	WASHER,FLAT,17/32 X 1 1/16 X 7/64,HDN,	
5	0850800	AR	NUT,HEX HD,1/2-13,LOCKING,GR 8,CAD WAX	
6	1977875	1	BRACKET,BUMPER,NON-PIVOTING,LH,HDFE	
7	1977867	1	BRACKET,BUMPER,NON-PIVOTING,RH,HDFE	
8	0803205	AR	CAPSCREW,HEX HD,1/2-13 X 2,GR 8,YEL ZN	

Models: C1FE, C3FE, CSFE
BUMPERS
REAR
With: STD; OPTION 3393

Key	PartNumber	Qty	Description	Comment
-----	------------	-----	-------------	---------

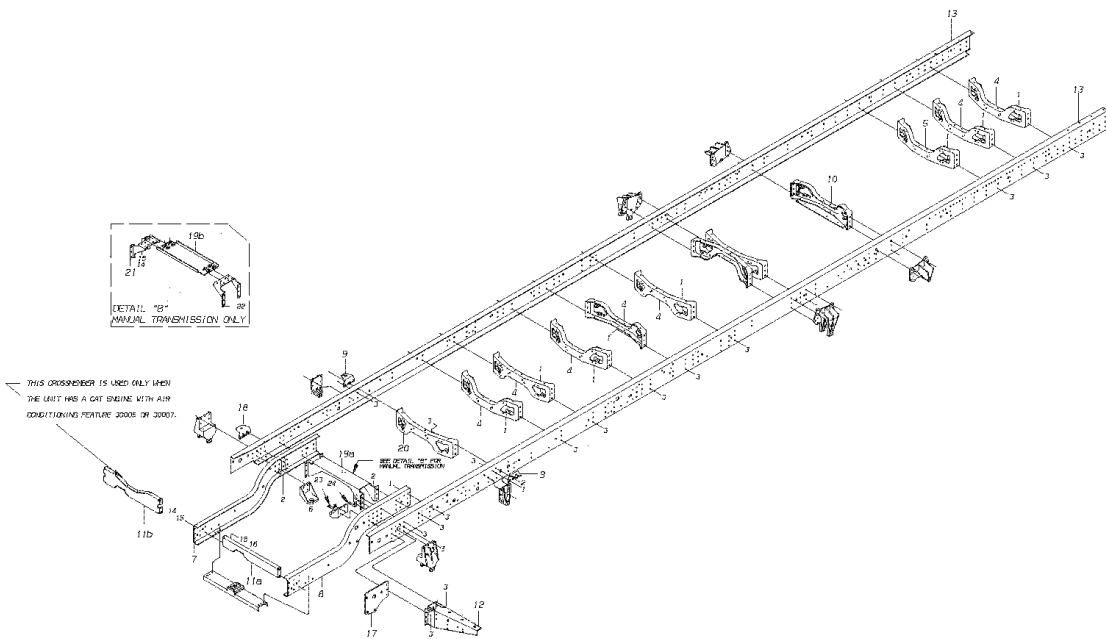


Models: C1FE, C3FE, CSFE
BUMPERS
REAR
With: STD; OPTION 3393

Key	PartNumber	Qty	Description	Comment
1	1652817	1	BRACE,REAR BUMPER CORNER,LH,CSRE	
1	1885607	1	BRACE,BUMPER,REAR,LH,W/LIFT, CSFE	
2	1652825	1	BRACE,REAR BUMPER CORNER,RH,C1/CSFE	
2	1885706	1	BRACE,BUMPER,REAR,RH,W/LIFT, CSFE	
3	0008592	1	BRACKET,MOUNTING,BUMPER,RH,C1,CSFE/RE	
4	0008593	1	BRACKET,MOUNTING,BUMPER,LH,C1,CSFE/RE	
5	0008065	1	BUMPER,RR,12,.25 THK,PAINTED	
5	0008066	1	BUMPER,RR,12,.25 THK,CHROME	
6	0803239	18	CAPSCREW,HEX HD,1/2-13 X1 1/2,GR8	
7	1003045	44	WASHER,FLAT,17/32 X 1 1/16 X 7/64,HDN,	
8	1003094	8	NUT,HEX HD,1/2-13,GR 8,YEL ZN DICH	
9	0850800	18	NUT,HEX HD,1/2-13,LOCKING,GR 8,CAD WAX	
10	0990655	8	LOCKWASHER,SPLIT RING, 1/2 ,MED,YEL ZN	
NI	0998526	2	SPACER,.250X1.25X1.25 W/.531 HOLE,PAINTED	
11	0001961	8	BOLT,1/2-13 X 1.50,ROUND SOCKET HEAD	
11	0005546	8	BOLT,CARRIAGE,1/2-13 X 1 1/2 18-8 SST	WITH CHROME BUMPER ONLY

Models: A3FE, C3FE
With: FRAME ASSEMBLY
 STD

Key	PartNumber	Qty	Description	Comment
-----	------------	-----	-------------	---------



Models: A3FE, C3FE
With: FRAME ASSEMBLY
 STD

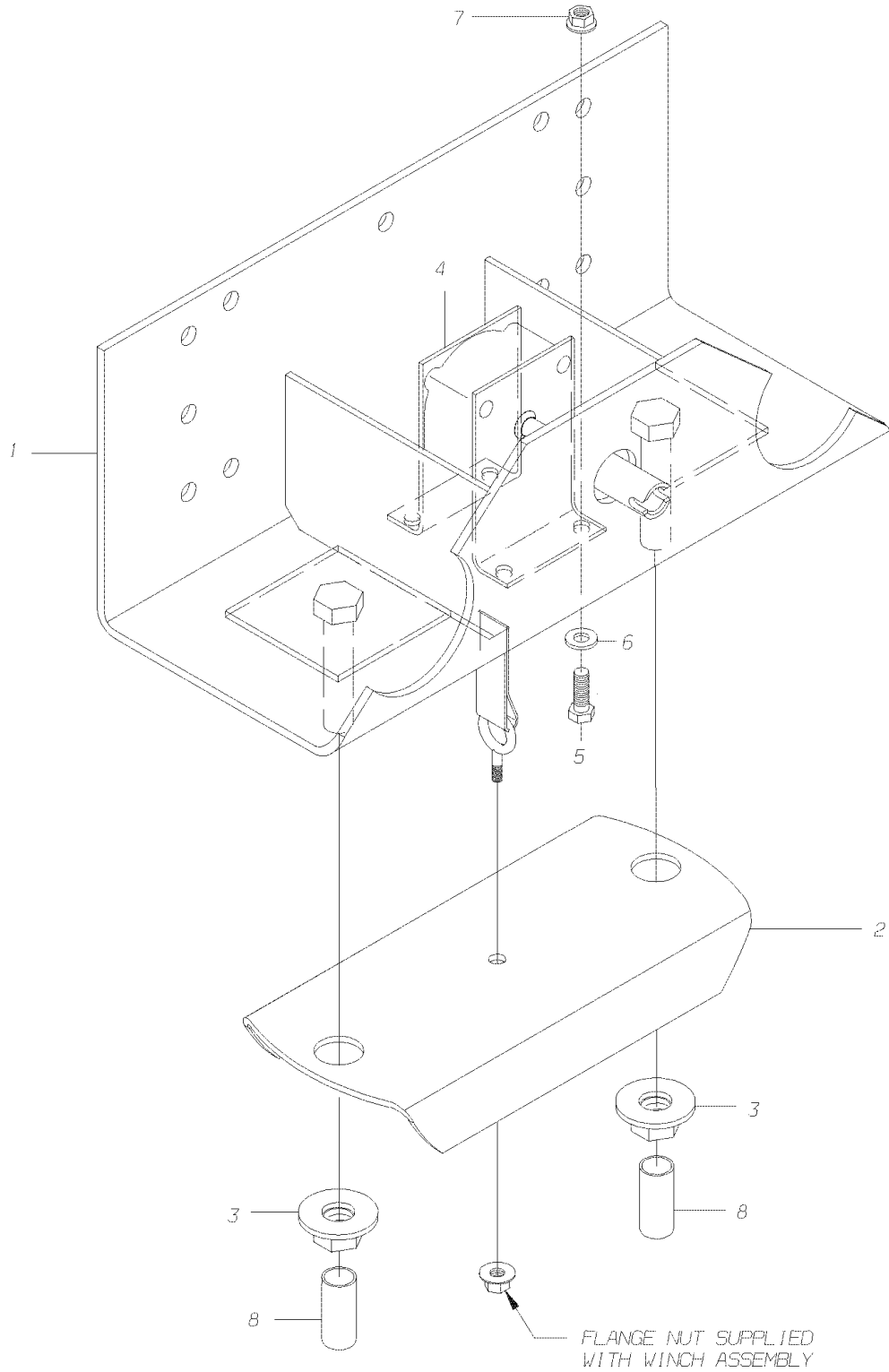
Key	PartNumber	Qty	Description	Comment
1	1636943	60	PIN,FLG HEAD,HUCKSPIN,.50X2.22,HSP8	
2	1636950	30	PIN,FLG HEAD,HUCKSPIN,.50X2.60,HSP8	
3	1636968	96	COLLAR,HUCKSPIN,.50,HSCH-R16	
4	1807577		CROSSMEMBER,STAMPED,34 INCH	
5	1807650	1	CROSSMEMBER ASSY,FUEL TANK END GUARD	
6	1969906	6	PIN,FLG HEAD,HUCKSPIN .50X3.215,HSP8	
7	1897750	1	FRAME RAIL,DROP SECTION,FRONT,RH, HDFE	
8	1897768	1	FRAME RAIL,DROP SECTION,FRONT,LH, HDFE	
9	1509637	2	ANGLE,TIE DOWN,BODY,TCFE	<i>ENDING WITH CSN F0227170</i>
9	0080449	2	ANGLE,TIE DOWN,BODY	<i>BEGIN WITH CSN F0227171</i>
10	1807643	1	CROSSMEMBER ASSY,REINF,F/TANK END	
11	1941459	1	CROSSMEMBER ASSY,FRT,VERTICAL,W/CUTOUT	
11	0011757	1	CROSSMEMBER ASSY,FRT,VERT,CAT WITH A/C	
12	0051208	1	OUTRIGGER,PLATFORM,DRIVERS,RR,SPRG	
12	0051198	1	OUTRIGGER,PLATFORM,DRIVERS,RR,AIR SUSP	
12	0051209	1	OUTRIGGER,PLATFORM,DRIVERS,RR,RH DRIVE	
12	0051210	1	OUTRIGGER,PLATFORM,DRIVERS,RR,RH DRV,	
13	0050658	1	FRAME RAIL SET,141WB, HDFE	
13	0050659	1	FRAME RAIL SET,169WB, HDFE	
13	0032434	1	FRAME RAIL SET,190WB,3408+3401BM,HDFE	
13	0066683	1	FRAME RAIL SET,190WB,AMBULANCE PKG,	<i>WITH 31063-01 ONLY</i>
13	0032435	1	FRAME RAIL SET,211WB,3700+3605+3510BM,	
13	0032436	1	FRAME RAIL SET,232WB, HDFE	

Models: A3FE, C3FE
With: FRAME ASSEMBLY
 STD

Key	PartNumber	Qty	Description	Comment
14	0803239		CAPSCREW,HEX HD,1/2-13 X1 1/2,GR8	
15	1003045		WASHER,FLAT,17/32 X 1 1/16 X 7/64,HDN,	
16	0850800	12	NUT,HEX HD,1/2-13,LOCKING,GR 8,CAD WAX	
17	1970425	1	PLATE ASSY,MTG,STEERING GEAR,LH DRIVE,	
17	1982883	1	PLATE ASSY,MTG,STEERING GEAR,RH DRIVE,	
18	1957026	1	ANGLE,TIE DOWN,CHANNEL,FRONT STRUCTURE	
19	1969815	1	CROSSMEMBER,TRANSMISSION CLEARANCE,	
19	0015667	1	CHANNEL ASSY,CROSSMEMBER,MAN TRANS,	MAN TRANSMISSION ONLY
20	1807668	1	CROSSMEMBER ASSY,REINFORCED	
21	0015357	1	GUSSET,C/MBR,MAN TRANS,PARAB SPRGS,RH,	MAN TRANSMISSION ONLY
22	0022077	1	GUSSET,C/MBR,MAN TRANS,PARAB SPRGS,LH,	MAN TRANSMISSION ONLY
23	1582667	1	BRACKET,SUPT,HYD BRAKE LINE,ENG MOUNT,	
24	1598630	1	BRACKET,MTG,HEATER & FREON HOSES,	WITH AIR BRAKES

Models: A3FE, C3FE, CSFE, TCFE
TIRE CARRIER
SIDE FRAME MOUNTING
With: FEATURE 40395-01; OPTION 5281-02, 7802-02, 7803-02
BSN: From CSN 30079480; 01/22/01

Key	PartNumber	Qty	Description	Comment
-----	------------	-----	-------------	---------



Models: A3FE, C3FE, CSFE, TCFE
TIRE CARRIER
SIDE FRAME MOUNTING
With: FEATURE 40395-01; OPTION 5281-02, 7802-02, 7803-02
BSN: From CSN 30079480; 01/22/01

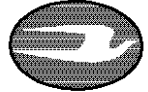
Key	PartNumber	Qty	Description	Comment
	0024701		TIRE CARRIER ASSY,SIDE FRM MTG,DISC ALUM	
	0024560		TIRE CARRIER ASSY,SIDE FRM MTG,DISC STL,	
1	0023671	1	BRACKET ASSY,TIRE CARRIER,SIDE FRAME	
2	0016670	1	CHANNEL,TIRE MTG,SF TIRE CARRIER,DISC	
3	0023249	2	NUT ASSY,SIDE FRAME TIRE CARRIER	
4	0016668	1	WINCH ASSY,SPARE TIRE,TUF-TUG	
5	0854422	4	CAPSCREW,HEX HD,3/8-16X1 1/8,G8,YEL ZN	
6	1107085	8	WASHER,FLAT,13/32 X 13/16 X 3/32,HDN,BLK	
7	0839027	4	NUT,HEX HD,3/8-16,GR G,SM FLG LK,YEL	
8	0023412	2	CAP,PROTECTOR,3/4 THREAD X 1.250 LONG	<i>WITH ALUMINUM WHEELS ONLY</i>
8	0023413	2	CAP,PROTECTOR,3/4 THREAD X 2.00 LONG	<i>WITH STEEL WHEELS ONLY</i>

Models: A3FE, C3FE
TOW HOOKS
FRONT
WITH PIVOTING FEATURE
With: FEATURE 40411-01 WITH 40112-02

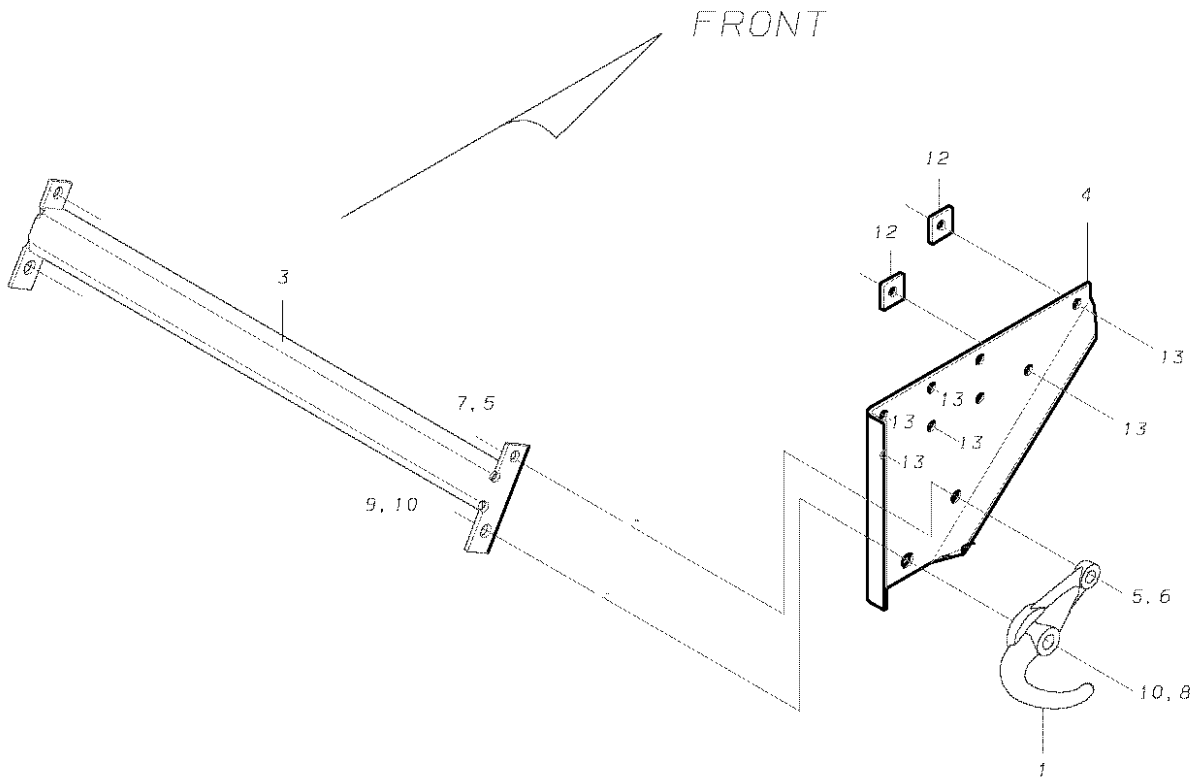
Key	PartNumber	Qty	Description	Comment
-----	------------	-----	-------------	---------

DR. 8/28/98	BY JL			
APP. 8/28/98	BY AB		19779665	REV
			FRT	

© BLUE BIRD BODY COMPANY. ALL RIGHTS RESERVED



BLUE BIRD



Models: A3FE, C3FE
TOW HOOKS
FRONT
WITH PIVOTING FEATURE
With: FEATURE 40411-01 WITH 40112-02

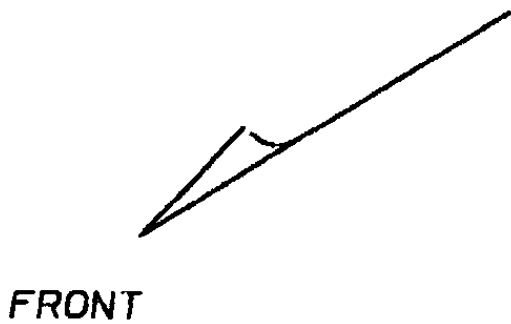
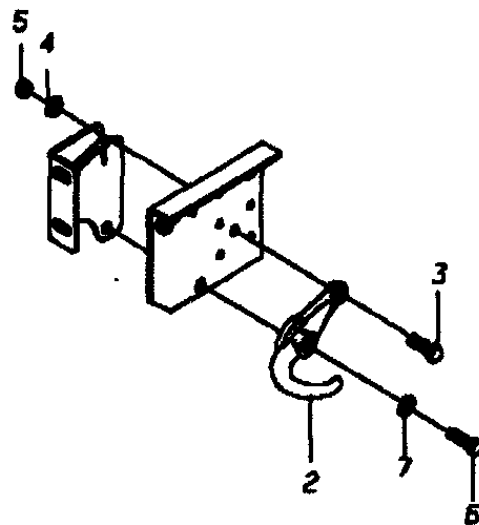
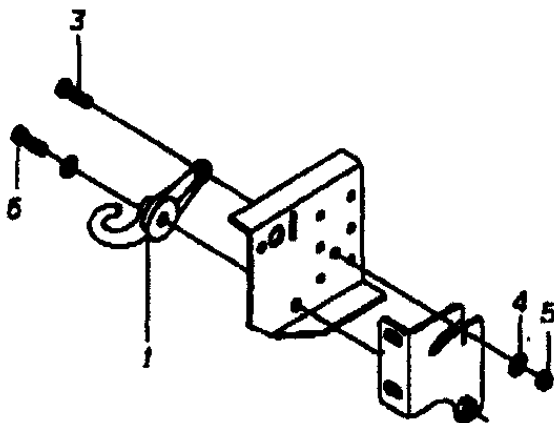
Key	PartNumber	Qty	Description	Comment
1	1258680	1	HOOK,TOW,LH,PAINTED	
2	1258698	1	HOOK,TOW,RH,PAINTED	
3	0939835	2	CAPSCREW,HEX HD,5/8-11 X2 1/2,GR8,	
4	0929018	4	WASHER,FLAT,21/32 X 1 1/8 X 3/32,HDN,YEL	
5	0939827	2	NUT,HEX HD,5/8-11,GR 8,LOCK,CADMIUM WAX	
6	0963322	2	CAPSCREW,HEX HD,3/4-10 X3 1/2,GR8,	
7	1434695	2	WASHER,FLAT,3/4 X 1 1/8 X 7/64 HRD,YEL ZN	

Models: A3FE, C3FE
 TOW HOOKS
 FRONT
 WITHOUT PIVOTING FEATURE
 With: FEATURE 40411-01 WITH 40112-01

Key	PartNumber	Qty	Description	Comment
-----	------------	-----	-------------	---------

DR. 8/28/98	BY J		19779665	
APP. 8/28/98	BY AB	FRT		REV

© BLUE BIRD BODY COMPANY. ALL RIGHTS RESERVED



Models: A3FE, C3FE
TOW HOOKS
FRONT
WITHOUT PIVOTING FEATURE
With: FEATURE 40411-01 WITH 40112-01

Key	PartNumber	Qty	Description	Comment
1	1258680	1	HOOK,TOW,LH,PAINTED	
2	1258698	1	HOOK,TOW,RH,PAINTED	
3	0939835	2	CAPSCREW,HEX HD,5/8-11 X2 1/2,GR8,	
4	0929018	4	WASHER,FLAT,21/32 X 1 1/8 X 3/32,HDN,YEL	
5	0939827	2	NUT,HEX HD,5/8-11,GR 8,LOCK,CADMIUM WAX	
6	0963322	2	CAPSCREW,HEX HD,3/4-10 X3 1/2,GR8,	
7	1434695	4	WASHER,FLAT,3/4 X 1 1/8 X 7/64 HRD,YEL ZN	
8	0933879	2	NUT,HEX HD,3/4-10,PRVLG TORQ,GR8,CAD	

Models: A3FE, C3FE
TOW HOOKS
REAR
With: FEATURE 40411-02

Key	PartNumber	Qty	Description	Comment
-----	------------	-----	-------------	---------

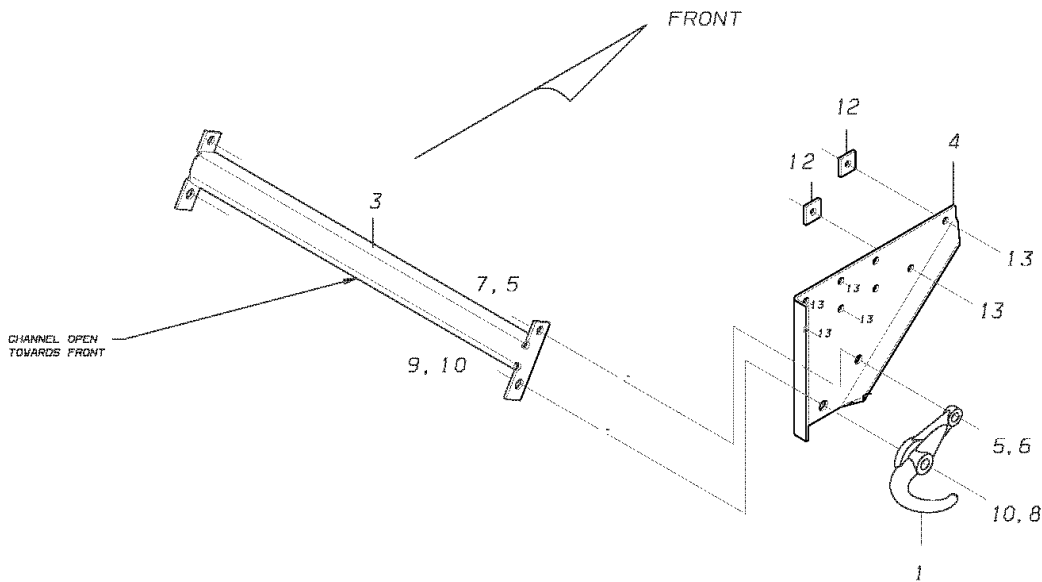
DR.7-25-03BY tl	19779667
APP. BY MY	FRT REV



© BLUE BIRD BODY COMPANY, ALL RIGHTS RESERVED

REV. 3/16 10/2012

REAR TOW HOOKS 4041102



Models: A3FE, C3FE
TOW HOOKS
REAR
With: FEATURE 40411-02

Key	PartNumber	Qty	Description	Comment
1	1258698	1	HOOK,TOW,RH,PAINTED	
1	1258680	1	HOOK,TOW,LH,PAINTED	
2			NOT CURRENTLY USED	
3	1832104	1	BRACE,TOW HOOK,REAR	
4	1831999	1	BRACKET,TOW HOOK,RH,CV/TCFE	
4	1832005	1	BRACKET,TOW HOOK,LH,CV/TCFE	
5	0929018	4	WASHER,FLAT,21/32 X 1 1/8 X 3/32,HDN,YEL	
6	0939835	2	CAPSCREW,HEX HD,5/8-11 X2 1/2,GR8,	
7	0939827	2	NUT,HEX HD,5/8-11,GR 8,LOCK,CADMIUM WAX	
8	0963322	2	CAPSCREW,HEX HD,3/4-10 X3 1/2,GR8,	
9	0933879	2	NUT,HEX HD,3/4-10,PRVLG TORQ,GR8,CAD	
10	1434695	4	WASHER,FLAT,3/4 X 1 1/8 X 7/64 HRD,YEL ZN	
11			NOT CURRENTLY USED	
12	0998526	4	SPACER,.250X1.25X1.25 W/.531 HOLE,PAINTED	
13	0803148	12	CAPSCREW,HEX HD,1/2-13 X 1 3/4,GR8,	