

Chassis**110 Instruments**

PANEL

*From CSN FE30076985 RE 10077010
To CSN FE30181395 RE10181430 11-01-04* 1

*From CSN FE30181395 RE10181430; 11-01-04
To CSN 0235290 4-30-06* 2

*From CSN 0235291 (05-01-06)
To CSN 0246529 (01-07-07)* 3

WITH 4-In-1

From CSN 0264530 (01-08-07) 4

WITH AC

*From CSN 0235291 (05-01-06)
To CSN 0246529 (01-07-07)* 5

WITH AC WITH 4-In-1

From CSN 0264530 (01-08-07) 6

WITH AC WITH 4-In-1, EEC

From CSN 0264530 (01-08-07) 7

WITH AC, WITH EEC

*From CSN 0235291 (05-01-06)
To CSN 0246529 (01-07-07)* 8

SWITCH, CRUISE CONTROL

With: FEATURE 40098 9

Models: A3FE, A3RE, C1FE, C3FE, CSFE, CSRE, TCFE
PANEL
BSN: From CSN FE30076985 RE 10077010
 To CSN FE30181395 RE10181430 11-01-04

Key	PartNumber	Qty	Description	Comment
1A	0026348		PANEL ASSY,INSTRUMENT,BLK W/GRAY,	A3FE, A3RE, C1FE, CSFE, HDFE, HDRE
1A	0026349		PANEL ASSY,INSTRUMENT,BLK,PURCHASED	TCFE ONLY
1A	0046289		PANEL ASSY,INSTR,BLK W/GRAY,PURCH,RHD,	A3RE-UK)
1B	0012193		PANEL ONLY,INSTRUMENT,WO/GUAGES &	A3FE, A3RE, C1FE, CSFE, HDFE, HDRE
1B	0012192		PANEL ONLY,INSTRUMENT,W/O GUAGES &	TCFE ONLY
1C	0029485		LIGHT BAR,TELLTALE INDICATOR,DISCRETE,6	
NI	0020282		DECAL,WARNING LIGHT OVERLAY,U.S.	
NI	0009666		DECAL,WARNING LIGHT OVERLAY,ISO	
1C	0046272		LIGHT BAR,TELLTALE,INDICATOR,DISC,RHD,UK	
NI	0016137		HARNES,WRG,INSTR PANEL,DISCRETE	
1	0014499		GAUGE,TRANSMISSION OIL TEMP,VDO	
NI	0014504		SOCKET ONLY,LIGHT,GAUGE,VDO	
NI	1151406		BULB,GE 194,2CP	
NI	0014503		RING,MTG,VDO,2.0625	
NI	2545325		O-RING,136	
8	0014494		GAUGE,VOLTMETER,VDO	
NI	0014504		SOCKET ONLY,LIGHT,GAUGE,VDO	
NI	1151406		BULB,GE 194,2CP	
NI	0014503		RING,MTG,VDO,2.0625	
NI	2545325		O-RING,136	
9	0014493		GAUGE,AMMETER,VDO	
NI	0019098		SOCKET,BULB,GAUGE,VDO	
NI	2545325		O-RING,136	

Models: A3FE, A3RE, C1FE, C3FE, CSFE, CSRE, TCFE
PANEL
BSN: From CSN FE30076985 RE 10077010
 To CSN FE30181395 RE10181430 11-01-04

Key	PartNumber	Qty	Description	Comment
2	0014495		GAUGE,AIR PRESSURE,VDO,FRONT	
NI	0014504		SOCKET ONLY,LIGHT,GAUGE,VDO	
NI	1151406		BULB,GE 194,2CP	
NI	0013628		GAUGE,AIR PRESSURE,VDO,DUAL	
NI	0006189	2	FITTING,QUICK CONNECT,90 DEG,FEMALE,	
NI	0905745		SEALANT,PIPE,LOCTITE 567,W/TEFLON 250CC	
NI	0020285		DECAL,AIR GAUGE,FRONT/REAR	
3	0014497		GAUGE,FUEL LEVEL,VDO	
NI	0014504		SOCKET ONLY,LIGHT,GAUGE,VDO	
NI	1151406		BULB,GE 194,2CP	
NI	0014503		RING,MTG,VDO,2.0625	
NI	2545325		O-RING,136	
4	0014490		GAUGE,SPEEDOMETER,VDO,ENGLISH	
4	0014491		GAUGE,SPEEDOMETER,VDO,METRIC	
NI	0014504		SOCKET ONLY,LIGHT,GAUGE,VDO	
NI	1151406		BULB,GE 194,2CP	
NI	0014502		RING,MTG,VDO,3.375	
NI	2545473		O-RING,152	
NI	0083414		HARNESS,SPEEDOMETER,PROGRAMMING,VDO,	
5	0014492		GAUGE,TACHOMETER,VDO	
NI	0014504		SOCKET ONLY,LIGHT,GAUGE,VDO	
NI	1151406		BULB,GE 194,2CP	
NI	0014502		RING,MTG,VDO,3.375	

Models: A3FE, A3RE, C1FE, C3FE, CSFE, CSRE, TCFE
PANEL
BSN: From CSN FE30076985 RE 10077010
 To CSN FE30181395 RE10181430 11-01-04

Key	PartNumber	Qty	Description	Comment
NI	2545473		O-RING,152	
6	0014501		GAUGE,OIL PRESSURE,VDO	
NI	0014504		SOCKET ONLY,LIGHT,GAUGE,VDO	
NI	1151406		BULB,GE 194,2CP	
NI	0014503		RING,MTG,VDO,2.0625	
NI	2545325		O-RING,136	
7	0014500		GAUGE,ENGINE COOLANT TEMP,VDO	
NI	0014504		SOCKET ONLY,LIGHT,GAUGE,VDO	
NI	1151406		BULB,GE 194,2CP	
NI	0014503		RING,MTG,VDO,2.0625	
NI	2545325		O-RING,136	
8	0014494		GAUGE,VOLTMETER,VDO	
NI	0014504		SOCKET ONLY,LIGHT,GAUGE,VDO	
NI	1151406		BULB,GE 194,2CP	
NI	0014503		RING,MTG,VDO,2.0625	
NI	2545325		O-RING,136	
9	0014493		GAUGE,AMMETER,VDO	
NI	0019098		SOCKET,BULB,GAUGE,VDO	
NI	2545325		O-RING,136	
10	0014496		GAUGE,AIR PRESSURE,VDO,REAR	
NI	0014504		SOCKET ONLY,LIGHT,GAUGE,VDO	
NI	1151406		BULB,GE 194,2CP	
NI	0013628		GAUGE,AIR PRESSURE,VDO,DUAL	


Models: A3FE, A3RE, C1FE, C3FE, CSFE, CSRE, TCFE
PANEL
BSN: From CSN FE30076985 RE 10077010
 To CSN FE30181395 RE10181430 11-01-04

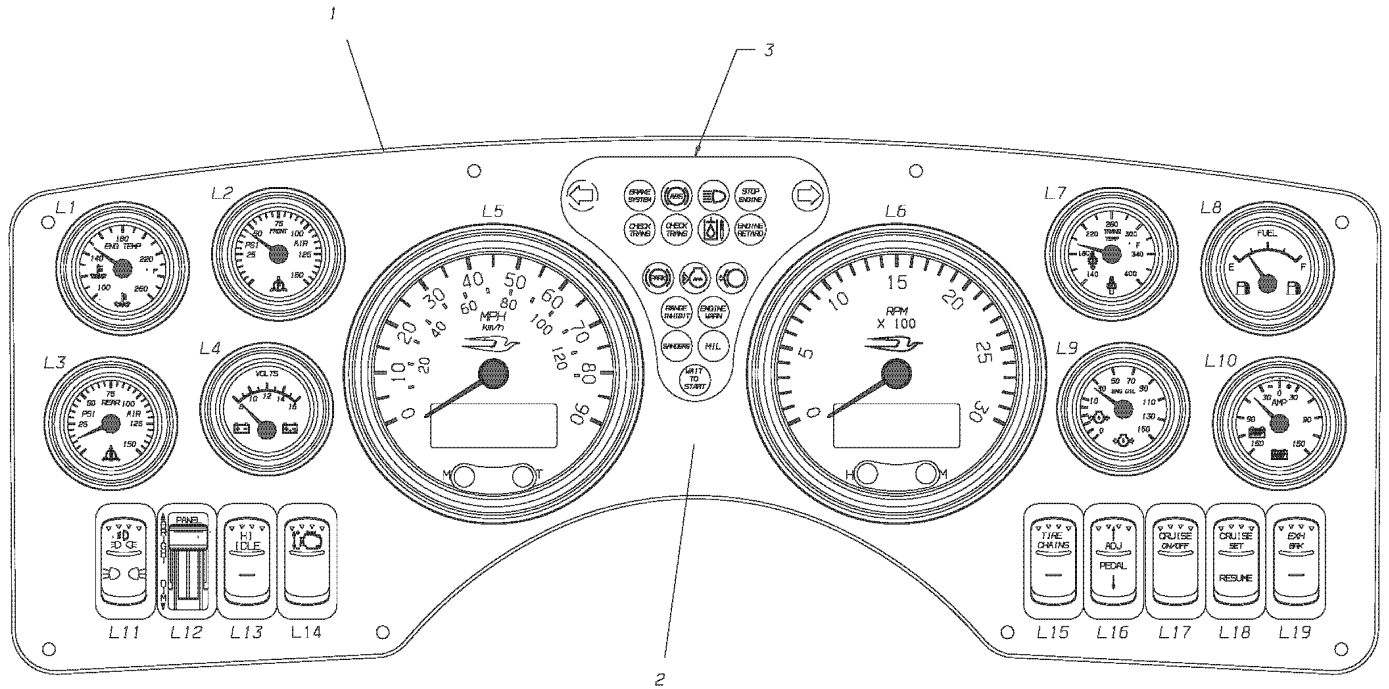
Key	PartNumber	Qty	Description	Comment
NI	0006189	2	FITTING,QUICK CONNECT,90 DEG,FEMALE,	
NI	0905745		SEALANT,PIPE,LOCTITE 567,W/TEFLON 250CC	
NI	0020285		DECAL,AIR GAUGE,FRONT/REAR	
11	1975382		CLOCK,12,VOLT DIGITAL,AA	
12	0023182		SWITCH,ROCKER,NGR,EXHAUST BRAKE"	
12	0074656		INDICATOR,WATER,IN FUEL	A3RE ONLY
13	0014715		SWITCH,ROCKER,NGR,HEADLIGHT	
14	0014716		SWITCH,DIMMER,SLIDE,NGR,PANEL DIMMER	
15	0014717		SWITCH,ROCKER,NGR,HIGH IDLE,OFF-MOM	CAT 3126B ONLY
15	0014718		SWITCH,ROCKER,NGR,HIGH IDLE,OFF-ON	
16	0014719		SWITCH,ROCKER,NGR,LOW IDLE ADJ	
17	0014723		SWITCH,ROCKER,NGR,SANDERS	
19	0014721		SWITCH,ROCKER,NGR,CRUISE ON/OFF	
20	0014722		SWITCH,ROCKER,NGR,CRUISE SET/RESUME	
NI	0020438		DECAL,EMBLEM OVERLAY	
			DECAL, WARNING LIGHT OVERLAY	

Models: A3FE, A3RE, C3FE
PANEL
BSN: From CSN FE30181395 RE10181430; 11-01-04
 To CSN 0235290 4-30-06

Key	PartNumber	Qty	Description	Comment
-----	------------	-----	-------------	---------

DR. 5-5-04	BY RR		0077815	
APP.	BY	FRT	REV	

© BLUE BIRD BODY COMPANY. ALL RIGHTS RESERVED. 



Models: A3FE, A3RE, C3FE
PANEL
BSN: From CSN FE30181395 RE10181430; 11-01-04
 To CSN 0235290 4-30-06

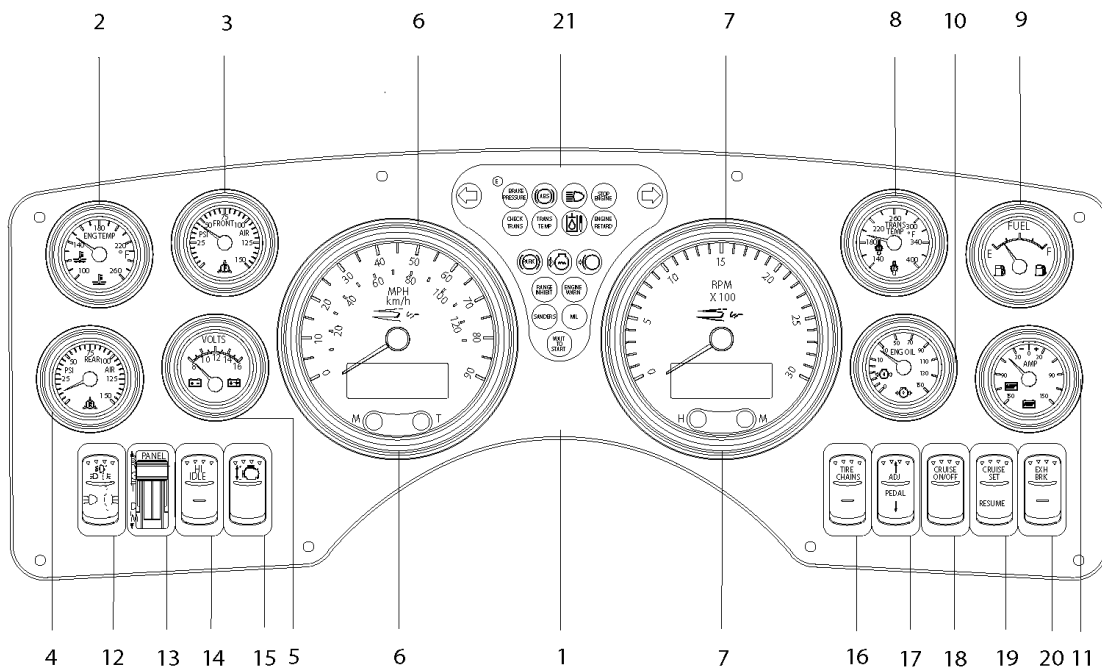
Key	PartNumber	Qty	Description	Comment
1	0077816		PANEL ASSY,INSTRUMENT,PURCHAS,ACTIA,	COMPLETE WITH GAUGES
2	0079104		PANEL,INSTRUMENT,BLACK,ACTIA GUAGES,	
3	0079105		MODULE,TELLTAIL,18 POSITION	
3	0079106		MODULE,WARNING BANK	
3	0079107		MODULE,TELLTAIL,FOAM DIVIDER	
3	0090689		DECAL,LIGHT,TELLTALE,18 POS,ENGLISH, A3	
3	0090690		DECAL,LIGHT,TELLTALE,18 POS,METRIC, A3	
L1	0057504		GAUGE,COOLANT TEMP,ACTIA	
L2	0057506		GAUGE,AIR PRESSURE,FRONT,ACTIA	
L3	0057507		GAUGE,AIR PRESSURE,REAR,ACTIA	
L4	0057505		GAUGE,VOLTMETER,ACTIA	
L5	0086739		KIT,SERVICE,GAUGE,SPEEDOMETER,ENGLISH,	
L5	0079092		GAUGE,SPEEDOMETER,METRIC,ACTIA	
L6	0057500		GAUGE,TACHOMETER,ACTIA	
L7	0057509		GAUGE,TRANSMISSION TEMP,ACTIA	
L8	0057501		GAUGE,FUEL LEVEL,ACTIA	
L9	0057503		GAUGE,OIL PRESSURE,ACTIA	
L1	0057511		GAUGE,AMMETER,ACTIA	
L1	0051024		SWITCH,BASE,NGR,SPKR,ON-ON-ON	
L1	0051039		ROCKER,NGR,HEAD/PARK LIGHTS	
L1	0027933		SWITCH,SLIDE,DIMMER,PANEL,GANG	
L1	0014717		SWITCH,ROCKER,NGR,HIGH IDLE,OFF-MOM	CAT C7
L1	0014718		SWITCH,ROCKER,NGR,HIGH IDLE,OFF-ON	CUMN ISC, JD 8.1)

Models: A3FE, A3RE, C3FE
PANEL
BSN: From CSN FE30181395 RE10181430; 11-01-04
 To CSN 0235290 4-30-06

Key	PartNumber	Qty	Description	Comment
L1	0014719		SWITCH,ROCKER,NGR,LOW IDLE ADJ	
L1	0087234		INDICATOR,LIGHT,NGR,EXHAUST FILTER	
L1	0083726		ROCKER,BUTTON,NGR,TIRE CHAINS	
L1	0027287		SWITCH,BASE,NGR,SPST,IND,OFF-ON	
L1	0038288		ROCKER,BUTTON,NGR,ADJ PEDAL	
L1	0027296		SWITCH,BASE,NGR,SPDT,MOM ON-OFF-MOM	
L1	0014721		SWITCH,ROCKER,NGR,CRUISE ON/OFF	
L1	0014722		SWITCH,ROCKER,NGR,CRUISE SET/RESUME	
L1	0023132		SINK,CENTURA,TWINSTAR,S929684-S DAWN	

Models: A3FE, A3RE, C3FE
PANEL
BSN: From CSN 0235291 (05-01-06)
 To CSN 0246529 (01-07-07)

Key	PartNumber	Qty	Description	Comment
-----	------------	-----	-------------	---------



Models: A3FE, A3RE, C3FE
PANEL
BSN: From CSN 0235291 (05-01-06)
To CSN 0246529 (01-07-07)

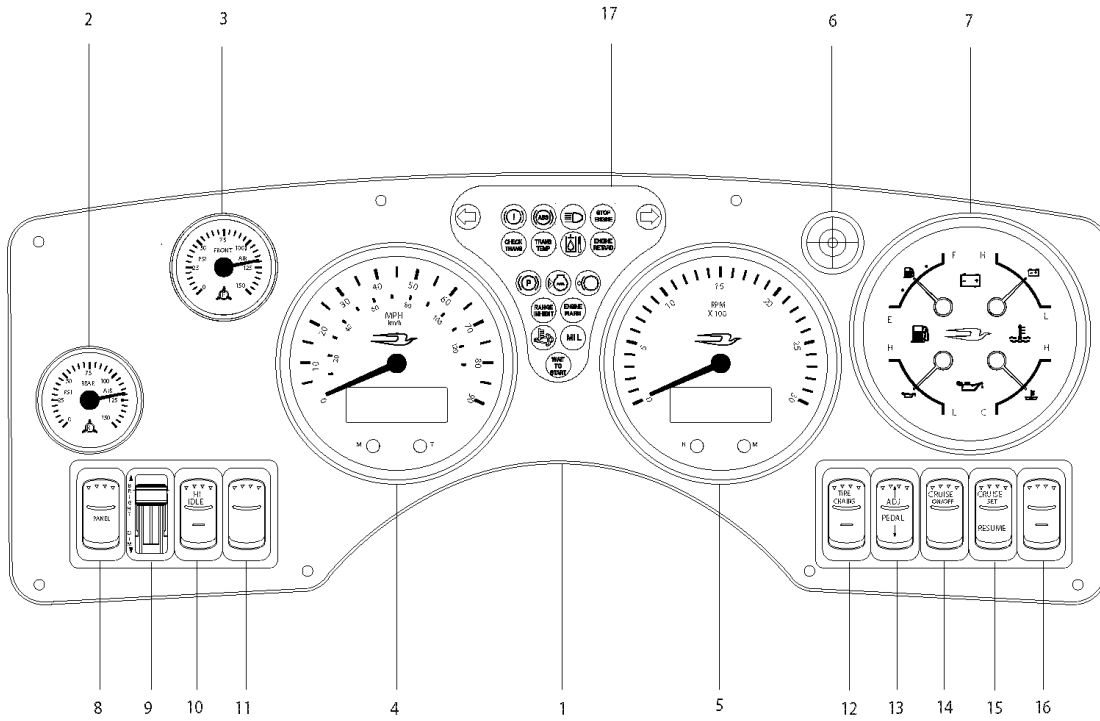
Key	PartNumber	Qty	Description	Comment
1	0101023		PANEL ASSY,INSTRUMENT,PURCHAS,ACTIA,	Panel with Gauges
2	0057504		GAUGE,COOLANT TEMP,ACTIA	STANDARD
3	0057506		GAUGE,AIR PRESSURE,FRONT,ACTIA	FEATURE 40070-06 THRU -08, A3FE/RE
3	0057506		GAUGE,AIR PRESSURE,FRONT,ACTIA	FEATURE 40070-09, A3RE
4	0057507		GAUGE,AIR PRESSURE,REAR,ACTIA	FEATURE 40070-06 THRU -08, A3FE/RE
4	0057507		GAUGE,AIR PRESSURE,REAR,ACTIA	FEATURE 40070-09
5	0057505		GAUGE,VOLTMETER,ACTIA	STANDARD
6	0079092		GAUGE,SPEEDOMETER,METRIC,ACTIA	FEATURE 40280-03
6	0079091		GAUGE,SPEEDOMETER,ENGLISH,ACTIA	FEATURE 40280-04
7	0057500		GAUGE,TACHOMETER,ACTIA	STANDARD
8	0057509		GAUGE,TRANSMISSION TEMP,ACTIA	FEATURE 40280-01
9	0057501		GAUGE,FUEL LEVEL,ACTIA	STANDARD
10	0057503		GAUGE,OIL PRESSURE,ACTIA	STANDARD
11	0057511		GAUGE,AMMETER,ACTIA	FEATURE 40280-02
12	0051021		SWITCH,BASE,NGR,DPDT,ON-OFF-ON	STANDARD
12	0051039		ROCKER,NGR,HEAD/PARK LIGHTS	STANDARD
13	0027933		SWITCH,SLIDE,DIMMER,PANEL,GANG	STANDARD
14	0014718		SWITCH,ROCKER,NGR,HIGH IDLE,OFF-ON	FEATURE 40181-03, -04,A3RE. 40184-03, --05, -08 THRU 16, A3RE.40187-09 THRU -14, A3FE/RE. 40187-15, -16,A3RE. 40187-17, -23,A3FE/RE. 40187 -24,A3RE ONLY. 40179-01, -03 THRU -07. 40179-08 THRU 12, A3FE/RE. 40179-13,A3RE ONLY.
15	0014719		SWITCH,ROCKER,NGR,LOW IDLE ADJ	FEATURE 40184-03, -05, -08 THRU 16,A3RE
15	0087234		INDICATOR,LIGHT,NGR,EXHAUST FILTER	FEATURE 40187-16, A3RE

Models: A3FE, A3RE, C3FE
PANEL
BSN: From CSN 0235291 (05-01-06)
 To CSN 0246529 (01-07-07)

Key	PartNumber	Qty	Description	Comment
16	0083726		ROCKER,BUTTON,NGR,TIRE CHAINS	FEATURE 40390-05, -08
16	0027287		SWITCH,BASE,NGR,SPST,IND,OFF-ON	FEATURE 40390-05, -08
16	0051032		ROCKER,NGR,KNEEL	FEATURE 04569-00
16	0059226		SWITCH,BASE,NGR,SPDT,MOM ON-OFF-MOM	FEATURE 04569-00
16	0027422		INDICATOR,LUG DOOR	FEATURE 00164-01
17	0038288		ROCKER,BUTTON,NGR,ADJ PEDAL	FEATURE 40099-01,A3FE/RE
17	0027296		SWITCH,BASE,NGR,SPDT,MOM ON-OFF-MOM	FEATURE 40099-01,A3FE/RE
17	0091688		INDICATOR,LIGHT,NGR,KNEEL	FEATURE 04569-00
18	0014721		SWITCH,ROCKER,NGR,CRUISE ON/OFF	FEATURE 40098-01, A3FE/RE
19	0014722		SWITCH,ROCKER,NGR,CRUISE SET/RESUME	FEATURE 40098-01,A3FE/RE
20	0023182		SWITCH,ROCKER,NGR,EXHAUST BRAKE"	FEATURE 40050-01,A3RE
20	0108836		SWITCH,ROCKER,NGR,VGT BRAKE	FEATURE 40050-03
21	0090690		DECAL,LIGHT,TELLTALE,18 POS,METRIC, A3	FEATURE 40280-03
21	0090689		DECAL,LIGHT,TELLTALE,18 POS,ENGLISH, A3	FEATURE 40280-04
NI	0079105		MODULE,TELLTAIL,18 POSITION	LED BOARD
NI	0079107		MODULE,TELLTAIL,FOAM DIVIDER	

Models: A3FE, A3RE, C3FE
PANEL
WITH 4-In-1
BSN: From CSN 0264530 (01-08-07)

Key	PartNumber	Qty	Description	Comment
-----	------------	-----	-------------	---------



Models: A3FE, A3RE, C3FE
PANEL
WITH 4-In-1
BSN: From CSN 0264530 (01-08-07)

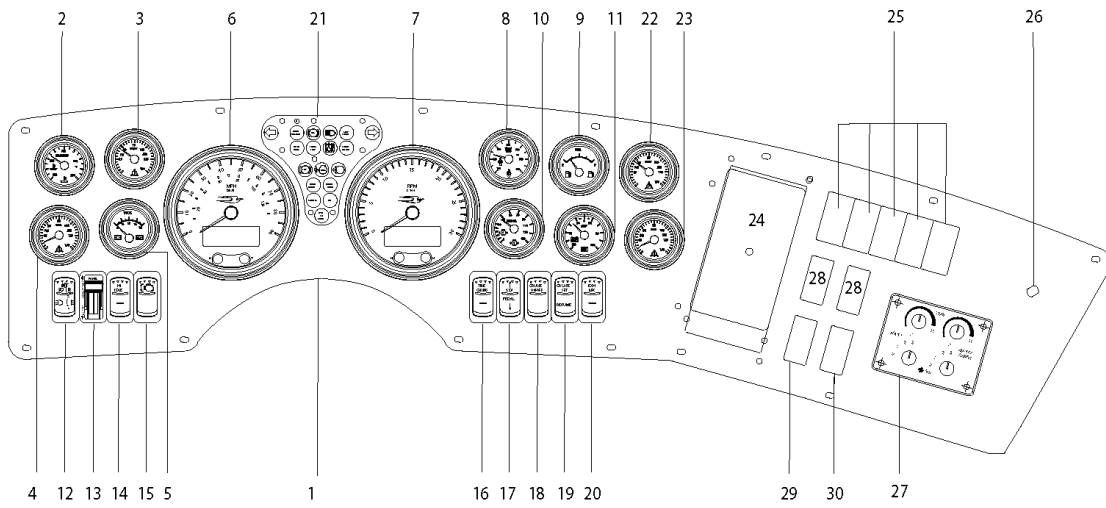
Key	PartNumber	Qty	Description	Comment
1	0109789		PANEL,INSTR,W/4-IN-1 GAUGE	
2	0110411		GAUGE,AIR PRESSURE,REAR,ACTIA	FEATURE 40070-06 THRU -08, A3FE/RE. WITH 4007-09, A3RE ONLY
3	0110410		GAUGE,AIR PRESSURE,FRONT,ACTIA	FEATURE 40070-06 THRU -08, A3FE/RE. WITH 40070-09, A3RE ONLY
4	0110408		GAUGE,SPEEDOMETER,METRIC,ACTIA	FEATURE 40280-03
4	0110407		GAUGE,SPEEDOMETER,ENGLISH,ACTIA	FEATURE 40280-04
5	0110409		GAUGE,TACHOMETER,ACTIA	STANDARD
6	0110424		BUZZER,INSTRUMENTATION,ACTIA	STANDARD
7	0109790		GAUGE,FUEL,OIL,VOLT,CLNT,ACTIA	STANDARD
8	0051021		SWITCH,BASE,NGR,DPDT,ON-OFF-ON	STANDARD
8	0051039		ROCKER,NGR,HEAD/PARK LIGHTS	STANDARD
9	0027933		SWITCH,SLIDE,DIMMER,PANEL,GANG	STANDARD
10	0014718		SWITCH,ROCKER,NGR,HIGH IDLE,OFF-ON	FEATURE 40181-03, -04, A3RE. WITH 40184-03, -05, -08 THRU 16, A3RE. WITH 40187-09 THRU 14, -17, -18, A3FE/RE. WITH 40187-15, -16, A3RE. WITH 40187-19 THRU 23, A3FE/RE. WITH 40187-24, A3RE. 40179-01, -03 THRU -07. WITH 40179-08 THRU -12, A3FE/RE. WITH 40179
11	0014719		SWITCH,ROCKER,NGR,LOW IDLE ADJ	FEATURE 40184-03, -05, -08 THRU -16, A3RE
11	0087234		INDICATOR,LIGHT,NGR,EXHAUST FILTER	FEATURE 40187-16, A3RE ONLY
11	0087234		INDICATOR,LIGHT,NGR,EXHAUST FILTER	FEATURE 40187-19, A3FE/RE
12	0083726		ROCKER,BUTTON,NGR,TIRE CHAINS	FEATURE 40390-05, -08
12	0027287		SWITCH,BASE,NGR,SPST,IND,OFF-ON	FEATURE 40390-05, -08
12	0051032		ROCKER,NGR,KNEEL	FEATURE 04569-00

Models: A3FE, A3RE, C3FE
PANEL
WITH 4-In-1
BSN: From CSN 0264530 (01-08-07)

Key	PartNumber	Qty	Description	Comment
12	0059226		SWITCH,BASE,NGR,SPDT,MOM ON-OFF-MOM	FEATURE 04569-00
12	0027422		INDICATOR,LUG DOOR	FEATURE 00164-01
13	0038288		ROCKER,BUTTON,NGR,ADJ PEDAL	FEATURE 40099-01, A3FE/RE
13	0027296		SWITCH,BASE,NGR,SPDT,MOM ON-OFF-MOM	FEATURE 40099-01, A3FE/RE
13	0091688		INDICATOR,LIGHT,NGR,KNEEL	FEATURE 04569-00
14	0014721		SWITCH,ROCKER,NGR,CRUISE ON/OFF	FEATURE 40098-01, A3FE/RE
15	0014722		SWITCH,ROCKER,NGR,CRUISE SET/RESUME	FEATURE 40098-01, A3FE/RE
16	0023182		SWITCH,ROCKER,NGR,EXHAUST BRAKE"	FEATURE 40050-01, A3FE/RE
16	0108836		SWITCH,ROCKER,NGR,VGT BRAKE	FEATURE 40050-03
17	0109791		DECAL,LIGHT,TELLTALE,18 POS,METRIC,A3	FEATURE 40280-03
17	0109792		DECAL,LIGHT,TELLTALE,18 POS,ENGLISH,A3	FEATURE 40280-04
17	0110337		MODULE,WARNING BANK,W/ AIR BRAKE,ACTIA,	FEATURE 40070-06, A3FE/RE
17	0110337		MODULE,WARNING BANK,W/ AIR BRAKE,ACTIA,	FEATURE 40070-09,A3RE
17	0110490		MODULE,WARNING BANK,W/ HYD BRAKES,	FEATURE 40071-05, A3FE

Models: A3FE, A3RE, C3FE
PANEL WITH AC
BSN: From CSN 0235291 (05-01-06)
 To CSN 0246529 (01-07-07)

Key	PartNumber	Qty	Description	Comment
-----	------------	-----	-------------	---------



Models: A3FE, A3RE, C3FE
PANEL WITH AC
BSN: From CSN 0235291 (05-01-06)
 To CSN 0246529 (01-07-07)

Key	PartNumber	Qty	Description	Comment
1	0103547		PANEL ASSY,INSTRUMENT,DASH W/AC OPTION	A3
1	0085244		PANEL,INSTRUMENT,GENERIC,W/AC,CUTOUTS	A3
1	0027347		BEZEL,END,NGR,SWITCH PANEL	AS REQUIRED
1	0027348		BEZEL,CENTER,NGR,SWITCH PANEL	AS REQUIRED
2	0057504		GAUGE,COOLANT TEMP,ACTIA	STANDARD
3	0057506		GAUGE,AIR PRESSURE,FRONT,ACTIA	FEATURE 40070-06 THRU -08, A3FE/RE. WITH 40070-09, A3RE
4	0057507		GAUGE,AIR PRESSURE,REAR,ACTIA	FEATURE 40070-06 THRU -08, A3FE/RE. WITH 40070-09, A3RE
5	0057505		GAUGE,VOLTMETER,ACTIA	STANDARD
6	0079091		GAUGE,SPEEDOMETER,ENGLISH,ACTIA	FEATURE 40280-04
6	0079092		GAUGE,SPEEDOMETER,METRIC,ACTIA	FEATURE 40280-03
7	0057500		GAUGE,TACHOMETER,ACTIA	STANDARD
8	0057509		GAUGE,TRANSMISSION TEMP,ACTIA	FEATURE 40280-01
9	0057501		GAUGE,FUEL LEVEL,ACTIA	STANDARD
10	0057503		GAUGE,OIL PRESSURE,ACTIA	STANDARD
11	0057511		GAUGE,AMMETER,ACTIA	FEATURE 40280-02
12	0051021		SWITCH,BASE,NGR,DPDT,ON-OFF-ON	STANDARD
12	0051039		ROCKER,NGR,HEAD/PARK LIGHTS	STANDARD
13	0027933		SWITCH,SLIDE,DIMMER,PANEL,GANG	STANDARD
14	0014718		SWITCH,ROCKER,NGR,HIGH IDLE,OFF-ON	FEATURE 40181-03, -04, A3RE. WITH 40184-03, -05, -08 THRU -16, A3RE. 40187-09 THRU 14, A3FE/RE. WITH 40187, -18 THRU -23, A3FE/RE. WITH 40187-17 THRU 23, A3FE/RE . WITH 40187-15, -16, -24. WITH 40179-01, -03 THRU -07. WITH 40179-08 THRU -12, A3FE/RE.

Models: A3FE, A3RE, C3FE
PANEL WITH AC
BSN: From CSN 0235291 (05-01-06)
 To CSN 0246529 (01-07-07)

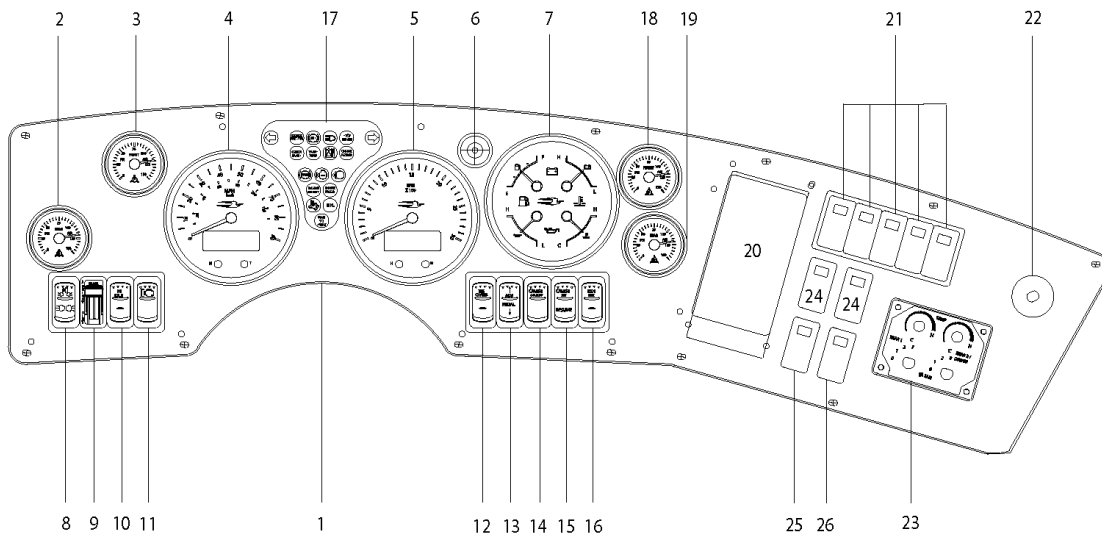
Key	PartNumber	Qty	Description	Comment
15	0014719		SWITCH,ROCKER,NGR,LOW IDLE ADJ	THRU -16.
15	0087234		INDICATOR,LIGHT,NGR,EXHAUST FILTER	FEATURE 40187-16, A3RE. WITH 40187-19, A3FE/RE
16	0083726		ROCKER,BUTTON,NGR,TIRE CHAINS	FEATURE 40390-05, -08
16	0027287		SWITCH,BASE,NGR,SPST,IND,OFF-ON	FEATURE 40390-05, -08
16	0051032		ROCKER,NGR,KNEEL	FEATURE 04569-00
16	0059226		SWITCH,BASE,NGR,SPDT,MOM ON-OFF-MOM	FEATURE 04569-00
16	0027422		INDICATOR,LUG DOOR	FEATURE 00164-01
17	0038288		ROCKER,BUTTON,NGR,ADJ PEDAL	FEATURE 40099-01, A3FE/RE
17	0027296		SWITCH,BASE,NGR,SPDT,MOM ON-OFF-MOM	FEATURE 40099-01, A3FE/RE
17	0091688		INDICATOR,LIGHT,NGR,KNEEL	FEATURE 04569-00
18	0014721		SWITCH,ROCKER,NGR,CRUISE ON/OFF	FEATURE 40098-01, A3FE/RE
19	0014722		SWITCH,ROCKER,NGR,CRUISE SET/RESUME	FEATURE 40098-01 A3FE/RE
20	0023182		SWITCH,ROCKER,NGR,EXHAUST BRAKE"	FEATURE 40050-01, A3RE
20	0108836		SWITCH,ROCKER,NGR,VGT BRAKE	FEATURE 40050-03
21	0090690		DECAL,LIGHT,TELLTALE,18 POS,METRIC, A3	FEATURE 40280-03
21	0090689		DECAL,LIGHT,TELLTALE,18 POS,ENGLISH, A3	FEATURE 40280-04
22	0063530		KIT,GAUGE,APPLIED AIR	FEATURE 40280-05
22	0060669		GAUGE,AIR PRESSURE,FRONT,APPLIED,ACTIA	
	0062695		MODULE,CONTROL,TELLTALE,APPLIED AIR	
	0062732		HARNES,WRG,LIN BUS,APPLIED AIR	
23	0060670		GAUGE,AIR PRESSURE,REAR,APPLIED,ACTIA	
	0062695		MODULE,CONTROL,TELLTALE,APPLIED AIR	
	0062732		HARNES,WRG,LIN BUS,APPLIED AIR	

Models: A3FE, A3RE, C3FE
PANEL WITH AC
BSN: From CSN 0235291 (05-01-06)
 To CSN 0246529 (01-07-07)

Key	PartNumber	Qty	Description	Comment
24				<i>See Goup 160 Transmission</i>
25				<i>See group 80 Electrical</i>
26			HEATER WATER REGULATING VALVE	<i>See Group 370 Heaters</i>
27			ELECTRONIC CLIMATE CONTROL	<i>See Group 370 Heaters</i>
28	0027305		ROCKER,BUTTON,NGR,CROSS ARM,CANCEL	<i>FEATURE 30227-01</i>
28	0027303		ROCKER,BUTTON,NGR,STOP ARM CANCEL	<i>FEATURE 30227-02</i>
28	0027289		SWITCH,BASE,NGR,SPST,OFF-MOM ON	<i>FEATURE 30227-03</i>
28	0027308		ROCKER,BUTTON,NGR,CROSS ARM,LIGHT	<i>FEATURE 30286-03</i>
28	0027285		SWITCH,BASE,NGR,SPST,ON-ON,HIGH	<i>FEATURE 30286-03</i>
29	0027329		ROCKER,BUTTON,NGR,DOOR,EXIT	<i>FEATURE 0472, 0475</i>
29	0027296		SWITCH,BASE,NGR,SPDT,MOM ON-OFF-MOM	<i>FEATURE 0472, 0475</i>
30	0027328		ROCKER,BUTTON,NGR,DOOR,SERVICE	<i>FEATURE 30978-04, -16, -07</i>
30	0042456		SWITCH,BASE,NGR,DPDT,MOM ON-OFF-MOM	<i>FEATURE 30978-06</i>
30	0042458		SWITCH,BASE,NGR,SPDT,MOM ON-OFF-MOM	<i>FEATURE 30978-04</i>
30	0027296		SWITCH,BASE,NGR,SPDT,MOM ON-OFF-MOM	<i>FEATURE 30978-07</i>

Models: A3FE, A3RE, C3FE
PANEL
WITH AC WITH 4-In-1
BSN: From CSN 0264530 (01-08-07)

Key	PartNumber	Qty	Description	Comment
-----	------------	-----	-------------	---------



Models: A3FE, A3RE, C3FE
PANEL
WITH AC WITH 4-In-1
BSN: From CSN 0264530 (01-08-07)

Key	PartNumber	Qty	Description	Comment
1	0109783		PANEL ASSY, INSTR, DASH W/4-IN-1, W/AC OPT,	A3
1	0109786		PANEL, INSTR, GENERIC, W/4-IN-1, W/AC OPT	A3
1	0027347		BEZEL, END, NGR, SWITCH PANEL	AS REQUIRED
1	0027348		BEZEL, CENTER, NGR, SWITCH PANEL	AS REQUIRED
2	0110411		GAUGE, AIR PRESSURE, REAR, ACTIA	FEATURE 40070-06 THRU -08, A3FE/RE. WITH 40070-09, A3RE
3	0110410		GAUGE, AIR PRESSURE, FRONT, ACTIA	FEATURE 40070-06 THRU -08, A3FE/RE. WITH 40070-09, A3RE
4	0110407		GAUGE, SPEEDOMETER, ENGLISH, ACTIA	FEATURE 40280-04
4	0110408		GAUGE, SPEEDOMETER, METRIC, ACTIA	FEATURE 40280-03
5	0110409		GAUGE, TACHOMETER, ACTIA	STANDARD
6	0110424		BUZZER, INSTRUMENTATION, ACTIA	STANDARD
7	0109790		GAUGE, FUEL, OIL, VOLT, CLNT, ACTIA	STANDARD
8	0051021		SWITCH, BASE, NGR, DPDT, ON-OFF-ON	STANDARD
8	0051039		ROCKER, NGR, HEAD/PARK LIGHTS	STANDARD
9	0027933		SWITCH, SLIDE, DIMMER, PANEL, GANG	STANDARD
10	0014718		SWITCH, ROCKER, NGR, HIGH IDLE, OFF-ON	FEATURE 40181-03, -04, A3RE. WITH 40184-03,, -05,, -08 THRU -06, 40187-15, -16, -24, A3RE ONLY. WITH 40187-09 THRU -14, -17, -18 THRU -23, A3FE/RE. WITH 40179-01, -03 THRU -07. WITH 40179-08 THRU -12, A3FE/RE. WITH 40179-13, A3RE
11	0014719		SWITCH, ROCKER, NGR, LOW IDLE ADJ	FEATURE 40184-03, -05, , -08 THRU -16, A3RE
11	0087234		INDICATOR, LIGHT, NGR, EXHAUST FILTER	FEATURE 40187-16, A3RE. WITH 40187-19, A3FE/RE
12	0083726		ROCKER, BUTTON, NGR, TIRE CHAINS	FEATURE 40390-05, -08
12	0027287		SWITCH, BASE, NGR, SPST, IND, OFF-ON	FEATURE 40390-05, -08
				FEATURE 04569-00

Models: A3FE, A3RE, C3FE
PANEL
WITH AC WITH 4-In-1
BSN: From CSN 0264530 (01-08-07)

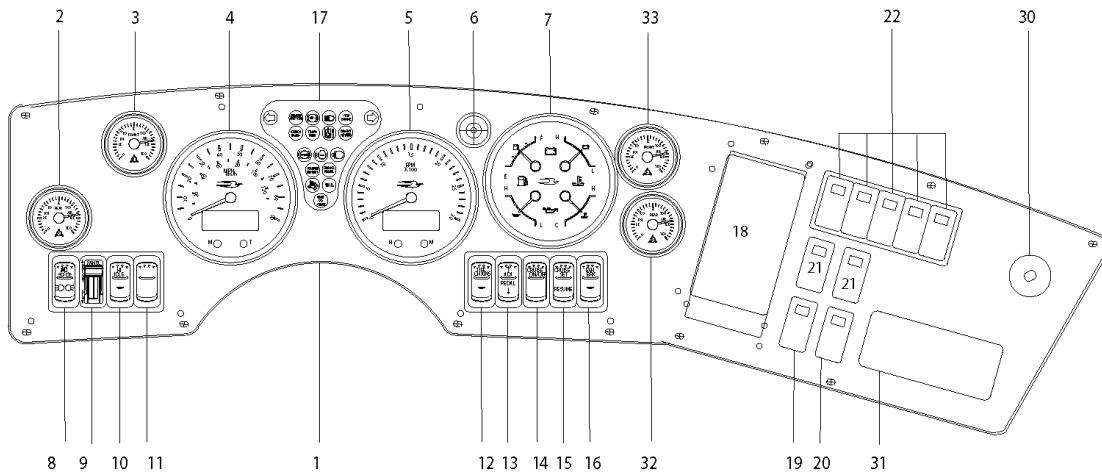
Key	PartNumber	Qty	Description	Comment
12	0051032		ROCKER,NGR,KNEEL	
12	0059226		SWITCH,BASE,NGR,SPDT,MOM ON-OFF-MOM	FEATURE 04569-00
12	0027422		INDICATOR,LUG DOOR	FEATURE 00164-01
13	0038288		ROCKER,BUTTON,NGR,ADJ PEDAL	FEATURE 40099-01, A3FE/RE
13	0091688		INDICATOR,LIGHT,NGR,KNEEL	FEATURE 04569-00
14	0014721		SWITCH,ROCKER,NGR,CRUISE ON/OFF	FEATURE 40098-01, A3FE/RE
15	0014722		SWITCH,ROCKER,NGR,CRUISE SET/RESUME	FEATURE 40098-01, A3FE/RE
16	0023182		SWITCH,ROCKER,NGR,EXHAUST BRAKE"	FEATURE 40050-01, A3FE/RE
16	0108836		SWITCH,ROCKER,NGR,VGT BRAKE	FEATURE 40050-03
17	0109791		DECAL,LIGHT,TELLTALE,18 POS,METRIC,A3	FEATURE 40280-03
17	0109792		DECAL,LIGHT,TELLTALE,18 POS,ENGLISH,A3	FEATURE 40280-04
17	0110337		MODULE,WARNING BANK,W/ AIR BRAKE,ACTIA,	FEATURE 40070-06, A3FE/RE. WITH 40070-09, A3RE ONLY
17	0110490		MODULE,WARNING BANK,W/ HYD BRAKES,	FEATURE 40071-05, A3FE
18	0063530		KIT,GAUGE,APPLIED AIR	FEATURE 40280-05
18	0110412		GAUGE,AIR PRESSURE,FRONT,APPLIED,ACTIA	
	0062695		MODULE,CONTROL,TELLTALE,APPLIED AIR	
	0062732		HARNES,WRG,LIN BUS,APPLIED AIR	
19	0110413		GAUGE,AIR PRESSURE,REAR,APPLIED,ACTIA	
	0062695		MODULE,CONTROL,TELLTALE,APPLIED AIR	
	0062732		HARNES,WRG,LIN BUS,APPLIED AIR	
20				See Goup 160 Transmission
21				See group 80 Electrical
22			HEATER WATER REGULATING VALVE	See Group 370 Heaters

Models: A3FE, A3RE, C3FE
PANEL
WITH AC WITH 4-In-1
BSN: From CSN 0264530 (01-08-07)

Key	PartNumber	Qty	Description	Comment
23			ELECTRONIC CLIMATE CONTROL	<i>See Group 370 Heaters</i>
24	0027305		ROCKER,BUTTON,NGR,CROSS ARM,CANCEL	<i>FEATURE 30227-01</i>
24	0027303		ROCKER,BUTTON,NGR,STOP ARM CANCEL	<i>FEATURE 30227-02</i>
24	0027289		SWITCH,BASE,NGR,SPST,OFF-MOM ON	<i>FEATURE 30227-01, -02</i>
24	0027308		ROCKER,BUTTON,NGR,CROSS ARM,LIGHT	<i>FEATURE 30286-03</i>
24	0027285		SWITCH,BASE,NGR,SPST,ON-ON,HIGH	<i>FEATURE 30286-03</i>
25	0027329		ROCKER,BUTTON,NGR,DOOR,EXIT	<i>FEATURE 472, 475</i>
25	0027296		SWITCH,BASE,NGR,SPDT,MOM ON-OFF-MOM	<i>FEATURE 472, 475</i>
26	0027328		ROCKER,BUTTON,NGR,DOOR,SERVICE	<i>FEATURE 30978-04, -06, -07</i>
26	0042456		SWITCH,BASE,NGR,DPDT,MOM ON-OFF-MOM	<i>FEATURE 30978-06</i>
26	0042458		SWITCH,BASE,NGR,SPDT,MOM ON-OFF-MOM	<i>FEATURE 30978-04</i>
26	0042457		SWITCH,BASE,NGR,DPST,ON-ON-ON,BLUE	<i>FEATURE 30978-07</i>

Models: A3FE, A3RE, C3FE
PANEL
WITH AC WITH 4-In-1, EEC
BSN: From CSN 0264530 (01-08-07)

Key	PartNumber	Qty	Description	Comment
-----	------------	-----	-------------	---------



Models: A3FE, A3RE, C3FE
PANEL
WITH AC WITH 4-In-1, EEC
BSN: From CSN 0264530 (01-08-07)

Key	PartNumber	Qty	Description	Comment
1	0109774		PANEL ASSY, INSTR, DASH, W/AC, W/ECC, CNTR	Panel with Gauges
	0109784		PANEL, INSTR, W/4-IN-1, W/ACC, W/ECC CNTRL	Panel with out Gauges
2	0110411		GAUGE, AIR PRESSURE, REAR, ACTIA	FEATURE 40070-06 THRU -08, A3FE/RE. WITH 40070-09, A3RE ONLY
3	0110410		GAUGE, AIR PRESSURE, FRONT, ACTIA	FEATURE 40070-06 THRU -08, A3FE/RE. WITH 40070-09, A3RE ONLY
4	0110407		GAUGE, SPEEDOMETER, ENGLISH, ACTIA	FEATURE 40280-04
4	0110408		GAUGE, SPEEDOMETER, METRIC, ACTIA	FEATURE 40280-03
5	0110409		GAUGE, TACHOMETER, ACTIA	STANDARD
6	0110424		BUZZER, INSTRUMENTATION, ACTIA	STANDARD
7	0109790		GAUGE, FUEL, OIL, VOLT, CLNT, ACTIA	STANDARD
8	0051021		SWITCH, BASE, NGR, DPDT, ON-OFF-ON	STANDARD
8	0051039		ROCKER, NGR, HEAD/PARK LIGHTS	STANDARD
9	0027933		SWITCH, SLIDE, DIMMER, PANEL, GANG	STANDARD
10	0014718		SWITCH, ROCKER, NGR, HIGH IDLE, OFF-ON	FEATURE 40181-03, -04. WITH 40184-03, -05, -08 THRU -16, A3RE. WITH 40187-09 THRU -14, -17, -18 THRU -23. WITH 40179 -01, -03 THRU -07. WITH 40179 -08 THRU 12, A3FE/RE, A3FE/RE. WITH 40187-15, -16, -24, WITH 40179-13, A3RE ONLY.
11	0014719		SWITCH, ROCKER, NGR, LOW IDLE ADJ	FEATURE 40184-03, -05, -08 THRU -16, A3RE
11	0087234		INDICATOR, LIGHT, NGR, EXHAUST FILTER	FEATURE 40187-16, A3RE
12	0083726		ROCKER, BUTTON, NGR, TIRE CHAINS	FEATURE 40390-05, -08
12	0027287		SWITCH, BASE, NGR, SPST, IND, OFF-ON	FEATURE 40390-05, -08
12	0051032		ROCKER, NGR, KNEEL	FEATURE 04569-00
12	0027422		INDICATOR, LUG DOOR	FEATURE 00164-01

Models: A3FE, A3RE, C3FE
PANEL
WITH AC WITH 4-In-1, EEC
BSN: From CSN 0264530 (01-08-07)

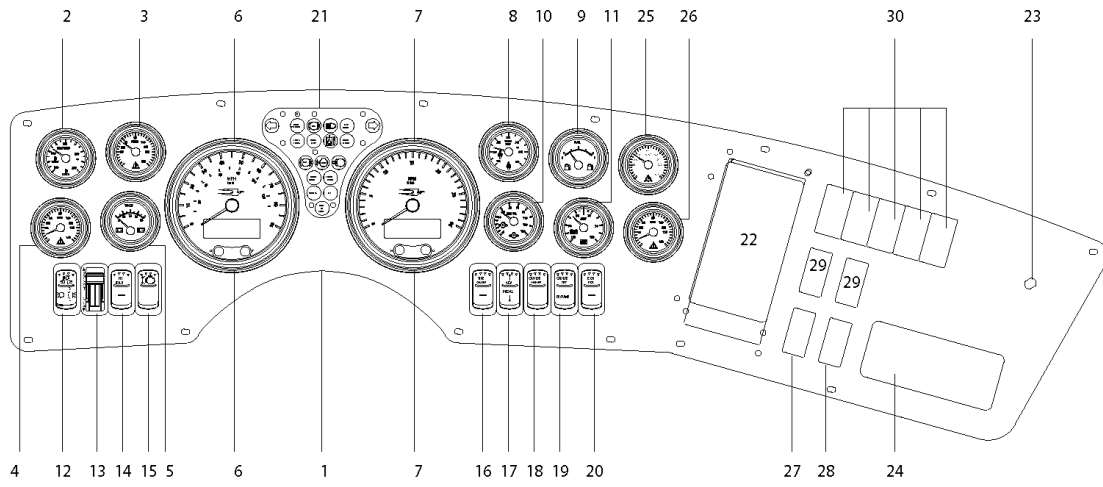
Key	PartNumber	Qty	Description	Comment
13	0038288		ROCKER,BUTTON,NGR,ADJ PEDAL	FEATURE 40099-01, A3FE/RE
13	0027296		SWITCH,BASE,NGR,SPDT,MOM ON-OFF-MOM	FEATURE 40099-01,A3FE/RE
13	0091688		INDICATOR,LIGHT,NGR,KNEEL	FEATURE 04569-00
14	0014721		SWITCH,ROCKER,NGR,CRUISE ON/OFF	FEATURE 40098-01, A3FE/RE
15	0014722		SWITCH,ROCKER,NGR,CRUISE SET/RESUME	FEATURE 40098-01, A3FE/RE
16	0023182		SWITCH,ROCKER,NGR,EXHAUST BRAKE"	FEATURE 40050-01, A3FE/RE
16	0108836		SWITCH,ROCKER,NGR,VGT BRAKE	FEATURE 40050-03
16	0027347		BEZEL,END,NGR,SWITCH PANEL	
16	0027348		BEZEL,CENTER,NGR,SWITCH PANEL	
17	0109791		DECAL,LIGHT,TELLTALE,18 POS,METRIC,A3	FEATURE 40280-03
17	0110337		MODULE,WARNING BANK,W/ AIR BRAKE,ACTIA,	FEATURE 40070-06 THRU -08, A3FE/RE. WITH 40070-09, A3RE
17	0110490		MODULE,WARNING BANK,W/ HYD BRAKES,	FEATURE 40071-05, A3FE
18				See Transmission Group 160
19	0027329		ROCKER,BUTTON,NGR,DOOR,EXIT	
19	0027296		SWITCH,BASE,NGR,SPDT,MOM ON-OFF-MOM	
20	0027328		ROCKER,BUTTON,NGR,DOOR,SERVICE	FEATURE 30978-04, -06, -07
20	0042458		SWITCH,BASE,NGR,SPDT,MOM ON-OFF-MOM	FEATURE 30978-04
20	0042456		SWITCH,BASE,NGR,DPDT,MOM ON-OFF-MOM	FEATURE 30978-06
20	0042457		SWITCH,BASE,NGR,DPST,ON-ON-ON,BLUE	FEATURE 30978-07
21	0027289		SWITCH,BASE,NGR,SPST,OFF-MOM ON	FEATURE 30227-01, -02, -03
21	0027305		ROCKER,BUTTON,NGR,CROSS ARM,CANCEL	FEATURE 30227-01
21	0027303		ROCKER,BUTTON,NGR,STOP ARM CANCEL	FEATURE 30227-02
21	0027306		ROCKER,BUTTON,NGR,STOP/CROSS ARM,	FEATURE 30227-03

Models: A3FE, A3RE, C3FE
PANEL
WITH AC WITH 4-In-1, EEC
BSN: From CSN 0264530 (01-08-07)

Key	PartNumber	Qty	Description	Comment
21	0027285		SWITCH,BASE,NGR,SPST,ON-ON,HIGH	FEATURE 30286-03
21	0027308		ROCKER,BUTTON,NGR,CROSS ARM,LIGHT	FEATURE 30286-03
22				SEE ELECTRICAL GROUP 80
30			HEATER WATER REGULATING VALVE	SEE HEATERS GROUP 370
31			ELECTRONIC CLIMATE CONTROL	SEE HEATERS GROUP 380 ECC
	0063530		KIT,GAUGE,APPLIED AIR	CONSIST OF 32 AND 33
32	0110413		GAUGE,AIR PRESSURE,REAR,APPLIED,ACTIA	
33	0110412		GAUGE,AIR PRESSURE,FRONT,APPLIED,ACTIA	
NI	0062695		MODULE,CONTROL,TELLTALE,APPLIED AIR	
NI	0062732		HARNES,WRG,LIN BUS,APPLIED AIR	

Models: A3FE, A3RE, C3FE
PANEL
WITH AC, WITH EEC
BSN: From CSN 0235291 (05-01-06)
 To CSN 0246529 (01-07-07)

Key	PartNumber	Qty	Description	Comment
-----	------------	-----	-------------	---------



Models: A3FE, A3RE, C3FE
PANEL
WITH AC, WITH EEC
BSN: From CSN 0235291 (05-01-06)
 To CSN 0246529 (01-07-07)

Key	PartNumber	Qty	Description	Comment
1	0105106		PANEL ASSY, INSTR, DASH, W/A/C, W/ECC CNTR	A3
1	0085244		PANEL, INSTRUMENT, GENERIC, W/AC, CUTOUTS	A3
1	0027347		BEZEL, END, NGR, SWITCH PANEL	AS REQUIRED
1	0027348		BEZEL, CENTER, NGR, SWITCH PANEL	AS REQUIRED
2	0057504		GAUGE, COOLANT TEMP, ACTIA	STANDARD
3	0057506		GAUGE, AIR PRESSURE, FRONT, ACTIA	FEATURE 40070-06 THRU -08, A3FE/RE. WITH 40070-09, A3RE ONLY
4	0057507		GAUGE, AIR PRESSURE, REAR, ACTIA	FEATURE 40070-06 THRU -08, A3FE/RE. WITH 40070-09, A3RE
5	0057505		GAUGE, VOLTMETER, ACTIA	STANDARD
6	0079091		GAUGE, SPEEDOMETER, ENGLISH, ACTIA	FEATURE 40280-04
6	0079092		GAUGE, SPEEDOMETER, METRIC, ACTIA	FEATURE 40280-03
7	0057500		GAUGE, TACHOMETER, ACTIA	STANDARD
8	0057509		GAUGE, TRANSMISSION TEMP, ACTIA	FEATURE 40280-01
9	0057501		GAUGE, FUEL LEVEL, ACTIA	STANDARD
10	0057503		GAUGE, OIL PRESSURE, ACTIA	STANDARD
11	0057511		GAUGE, AMMETER, ACTIA	FEATURE 40280-02
12	0051021		SWITCH, BASE, NGR, DPDT, ON-OFF-ON	STANDARD
12	0051039		ROCKER, NGR, HEAD/PARK LIGHTS	STANDARD
13	0027933		SWITCH, SLIDE, DIMMER, PANEL, GANG	STANDARD
14	0014718		SWITCH, ROCKER, NGR, HIGH IDLE, OFF-ON	FEATURE 40181-03, -04, 40184-03, -05, -08 THRU -016, 40187-15, -16,, -24, A3RE ONLY. WITH 40187-09 THRU -14, -17, -18 THRU -23, A3FE/RE. WITH 40179-01, -03 THRU -07. WITH 40179-08 THRU -12, A3FE/RE. WITH 40179-13, A3RE ONLY
15	0014719		SWITCH, ROCKER, NGR, LOW IDLE ADJ	

Models: A3FE, A3RE, C3FE
PANEL
WITH AC, WITH EEC
BSN: From CSN 0235291 (05-01-06)
 To CSN 0246529 (01-07-07)

Key	PartNumber	Qty	Description	Comment
				THRU -16, A3RE
15	0087234		INDICATOR,LIGHT,NGR,EXHAUST FILTER	FEATURE 40187-16, A3RE
16	0083726		ROCKER,BUTTON,NGR,TIRE CHAINS	
16	0027287		SWITCH,BASE,NGR,SPST,IND,OFF-ON	FEATURE 40390-05, -08
16	0051032		ROCKER,NGR,KNEEL	FEATURE 04569-00
16	0059226		SWITCH,BASE,NGR,SPDT,MOM ON-OFF-MOM	FEATURE 04569-00
16	0027422		INDICATOR,LUG DOOR	FEATURE 00164-01
17	0038288		ROCKER,BUTTON,NGR,ADJ PEDAL	FEATURE 40099-01, A3FE/RE
17	0027296		SWITCH,BASE,NGR,SPDT,MOM ON-OFF-MOM	FEATURE 40099-01, A3FE/RE
17	0091688		INDICATOR,LIGHT,NGR,KNEEL	FEATURE 40099-01, A3FE/RE
18	0014721		SWITCH,ROCKER,NGR,CRUISE ON/OFF	FEATURE 40098-01, A3FE/RE
19	0014722		SWITCH,ROCKER,NGR,CRUISE SET/RESUME	FEATURE 40098-01, A3FE/RE
20	0023182		SWITCH,ROCKER,NGR,EXHAUST BRAKE"	FEATURE 40050-01, A3RE
20	0108836		SWITCH,ROCKER,NGR,VGT BRAKE	FEATURE 40050-03
21	0090690		DECAL,LIGHT,TELLTALE,18 POS,METRIC, A3	FEATURE 40280-03
21	0090689		DECAL,LIGHT,TELLTALE,18 POS,ENGLISH, A3	FEATURE 40280-04
22				See Transmission Group 190
23			HEATER WATER REGULATING VALVE	See Heaters group 370
24			ELECTRONIC CLIMATE CONTROL	See Heaters group 370
	0063530		KIT,GAUGE,APPLIED AIR	Consist of 25 and 26
25	0060669		GAUGE,AIR PRESSURE,FRONT,APPLIED,ACTIA	
26	0060670		GAUGE,AIR PRESSURE,REAR,APPLIED,ACTIA	
NI	0062695		MODULE,CONTROL,TELLTALE,APPLIED AIR	

Models: A3FE, A3RE, C3FE
PANEL
WITH AC, WITH EEC
BSN: From CSN 0235291 (05-01-06)
To CSN 0246529 (01-07-07)

Key	PartNumber	Qty	Description	Comment
NI	0062732		HARNESS,WRG,LIN BUS,APPLIED AIR	

Models: A3FE, A3RE, C1FE, C3FE, CSFE, CSRE, QBRE, TCFE, TCRE, TSFE
With: SWITCH, CRUISE CONTROL
 FEATURE 40098

Key	PartNumber	Qty	Description	Comment
NI	1962364		SWITCH,CRUISE,ON/OFF	
NI	1962372		SWITCH,CRUISE,SET/RESUME	
NI	1779446		RELAY,SPDT,40A,12V,W/BRACKET	
NI	0044861		BRACKET,MTG,DIAGNOSTIC,RHD	<i>RH DRIVE UK</i>
NI	1876572		PLUG,BUTTON,BLACK,DP-1093,HEYCO 2723	
NI	1903020	4	SCREW,MACH,6/32 X 1/2,PH1,PN HD,YEL ZN	
NI	2001162	4	LOCKWASHER,SPLIT RING, 3/16,MED,YEL ZN	
NI	1711191	4	NUT,HEX HD,6-32,YEL ZN DICH	
NI	0019061	2	SCREW,10-32 X 1/2,F,PH1,PAN HD,BLACK ZINC	
NI	0019062	2	WASHER,FLAT,13/64 X 1/2 X 3/64,BLACK ZINC	
NI	0016138		SWITCH,ROCKER,ARCO,DIAGNOSTIC,OFF-ON	
NI	0017747		DECAL,DIAGNOSTIC,BRACKET	