

Chassis

130 Suspension

AIR

FRONT

HENDRICKSON AIRTEK
INSTALLATION

With: FEATURE 40004-12, -13, -14

1

HENDRICKSON PARASTEER
INSTALLATION

*With: FEATURE 40004-07
From CSN 10096835 30096825*

2

KIT PARTS BREAKDOWN

*With: FEATURE 40004-07
From CSN 10096835 30096825*

3

FRONT AND REAR

HENDRICKSON

AIR PIPING

*With: FEATURE 40004-05,-07, 40005-05,-06
From CSN 10096696
30096791 11/05/01
To CSN 258949 11/5/06*

4

*With: FEATURE 40004-05,-07, 40005-05,-06
From CSN 258950 (11/06/06)*

5

HENDRICKSON WITH KNEELING FEATURE

AIR PIPING

With: FEATURE 40004-07 WITH 4569

6

*With: FEATURE 4569 KNEELING WITH 40004-07 HENDRICKSON SUSPENSION
From 6/11/07*

7

REAR

HENDRICKSON, COMFORT AIR

AIR PIPING

With: FEATURE 40005-02,-03,-06

8

BREAKDOWN

With: FEATURE 40005-05,-06

9

INSTALLATION

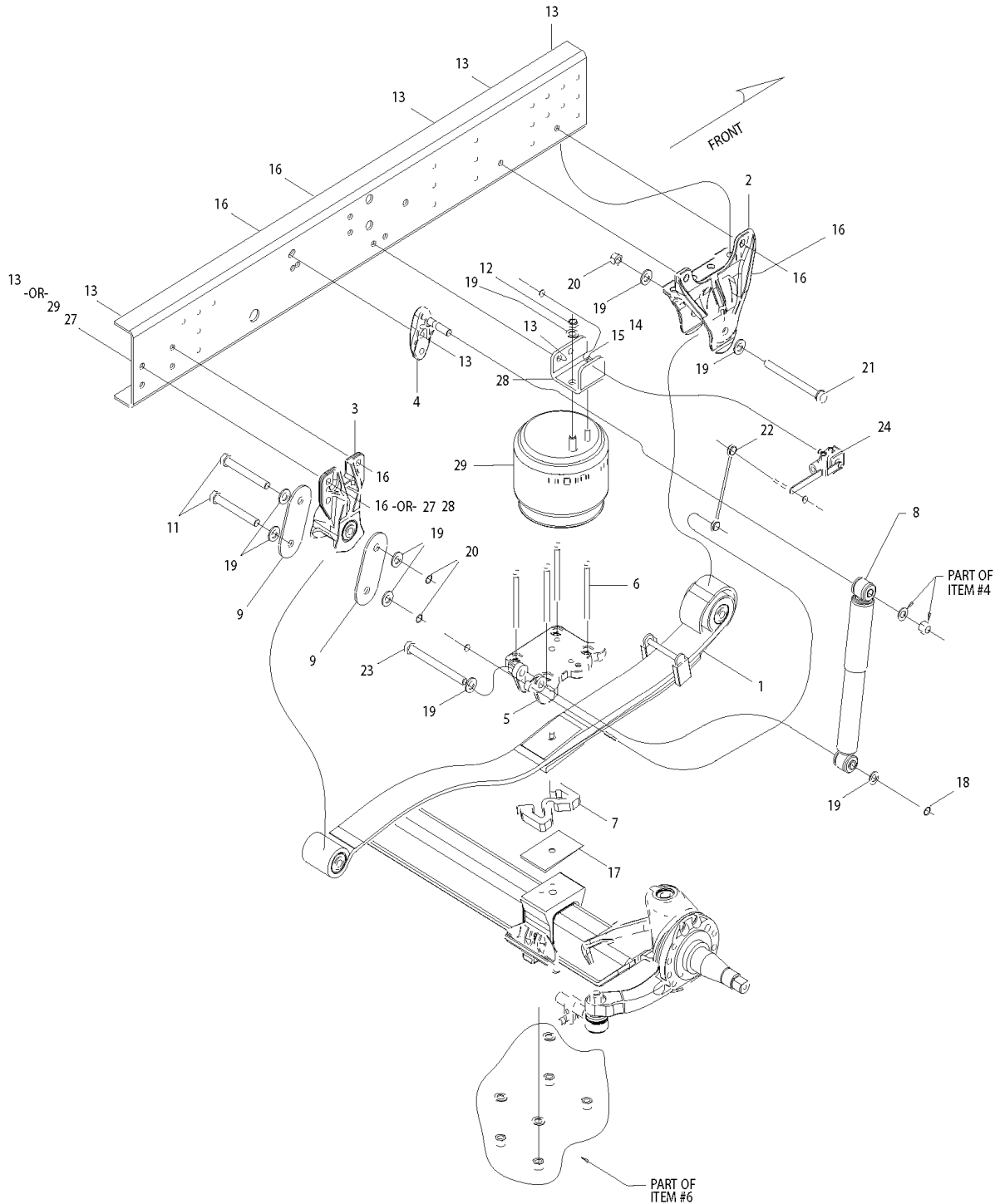
With: FEATURE 40005-05, -06

10

| | |
|---|----|
| RESERVOIR ASSEMBLIES | |
| 1240 CU IN. | 11 |
| 1240 CU. IN. FRONT AND REAR | 12 |
| 1650 CU. IN. | 13 |
| SPRING | |
| FRONT | |
| <i>With: FEATURE 40004-02</i> | 14 |
| HENDRICKSON SOFTEK, INSTALLATION | |
| HENDRICKSON AXLE | |
| <i>With: FEATURE 40004-12, -13, -14</i> | 15 |
| PARABOLIC | |
| <i>From CSN 10094705 30094685</i> | |
| <i>To CSN 05/02/05</i> | 16 |
| HENDRICKSON AXLE | |
| <i>To 11/5/06</i> | 17 |
| STABILIZER BAR FRONT | |
| <i>With: OPTION 4565, 4566, 40004-06</i> | |
| <i>From CSN 30039910 (9/7/99)</i> | |
| <i>To CSN 05/02/05</i> | 18 |
| REAR | |
| REAR FLAT LEAF | |
| <i>With: FEATURE 40005-01</i> | 19 |
| <i>With: FEATURE 40005-10-11-12-13</i> | 20 |
| STABILIZER BAR REAR | |
| <i>With: OPTION 4566, 4568-01, 40005-04</i> | 21 |
| STABILIZER BAR REAR AND MOUNTING | |
| <i>With: OPTION 4566, 4568-01, 40005-04</i> | 22 |
| SPACER ASSY, CHART | |
| | 23 |

Models: A3FE, A3RE, C3FE
 AIR
 FRONT
 HENDRICKSON AIRTEK
 INSTALLATION
 With: FEATURE 40004-12, -13, -14

| Key | PartNumber | Qty | Description | Comment |
|-----|------------|-----|-------------|---------|
|-----|------------|-----|-------------|---------|



Models: A3FE, A3RE, C3FE
**AIR
 FRONT
 HENDRICKSON AIRTEK
 INSTALLATION**
With: FEATURE 40004-12, -13, -14

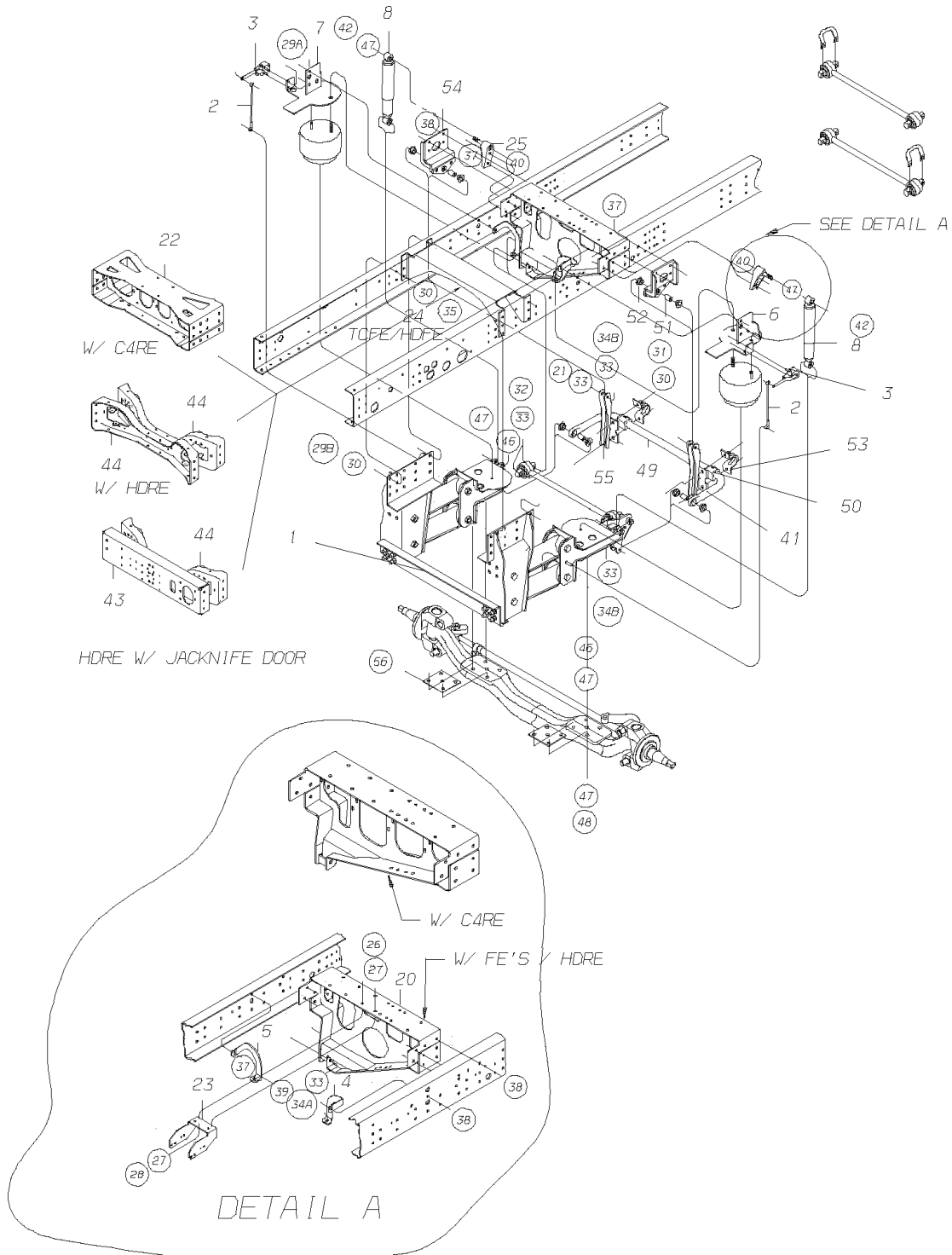
| Key | PartNumber | Qty | Description | Comment |
|-----|------------|-----|--|---------------|
| 1 | 0106302 | 2 | SPRING ASSY,FRT,AIR SUSP | |
| 2 | 0112694 | 2 | HANGER,SUSP,FRONT,FRAME | |
| 3 | 0106297 | 2 | BRACKET,SHACKLE,SUSP,FRONT | |
| 4 | 0107809 | | BRACKET,SHOCK,UPPER,FRONT | |
| 5 | 0106298 | | PAD,AXLE,TOP,AIR SUSP,FRONT,LH | |
| 5 | 0106299 | | PAD,AXLE,TOP,AIR SUSP,FRONT,RH | |
| 6 | 0055011 | | KIT,BOLT,SUSP,FRONT,AIR,BBCV | W/O 40011-01 |
| | 0107926 | | KIT,BOLT,SUSP,FRONT,AIR,35MM SPACER | With 40011-01 |
| | 0107927 | | KIT,BOLT,SUSP,FRONT,AIR,85MM SPACER | With 30940-01 |
| 7 | 0107806 | 2 | SPACER,SUSP,FRONT,25MM | With 40011-01 |
| | 0107861 | 2 | SPACER,SUSP,FRONT,75MM | With 30940-01 |
| 8 | 0110808 | 2 | SHOCK ABSORBER,FRONT,AIR SUSP | |
| 9 | 0111659 | 2 | SPACER,SHOCK,SUSP,FRONT,LOWER,.52 TK | |
| 10 | 0107811 | 4 | PLATE,SHACKLE,SUSP,FRONT | |
| 11 | 0109147 | 4 | CAPSCREW,HEX HD,M20-2.50X150,GR10.9, | |
| 12 | 0985549 | 2 | NUT,HEX HD,3/4-16,NYLON LOCK,YEL ZN DICH | |
| 13 | 0054994 | AR | PIN,FLG HEAD,HUCKSPIN,.62 X 2.238 | |
| 14 | 0850800 | 4 | NUT,HEX HD,1/2-13,LOCKING,GR 8,CAD WAX | |
| 15 | 1003045 | 4 | WASHER,FLAT,17/32 X 1 1/16 X 7/64,HDN, | |
| 16 | 0054997 | AR | COLLAR,HUCKSPIN,.62,HSCF-R20 | |
| 17 | 1731678 | | WEDGE,CASTER,1 DEGREE | |
| 18 | 0933879 | 4 | NUT,HEX HD,3/4-10,PRVLG TORQ,GR8,CAD | |
| 19 | 0607036 | 20 | WASHER,FLAT,13/16 X 1 3/8 X 7/64 ZP,HRD | |

Models: A3FE, A3RE, C3FE
AIR
FRONT
HENDRICKSON AIRTEK
INSTALLATION
With: FEATURE 40004-12, -13, -14

| Key | PartNumber | Qty | Description | Comment |
|-----|------------|-----|--|------------------|
| 20 | 0054951 | 2 | NUT,HEX HD,M20-2.50,GR10.9,LOCK,OLIVZN | |
| 21 | 0054950 | 2 | CAPSCREW,HEX HD,M20-2.50X170,GR10.9, | |
| 22 | 0107860 | 2 | LINKAGE,VALVE,LEVELING,FRT,AIR SUSP | |
| 23 | 1317783 | 2 | CAPSCREW,HEX HD,3/4-10 X 5,GR 8,YEL ZN | |
| 24 | 0014860 | 2 | VALVE ASSY,HT CONTROL,HENDRICKSON | |
| 25 | 0106306 | 2 | BRACKET,SUPT,AIR SPRG,FRAME | |
| 26 | 0106305 | 2 | SPRING ASSY,AIR,AIR SUSP,FRT,14.6K | |
| 27 | 0929018 | 8 | WASHER,FLAT,21/32 X 1 1/8 X 3/32,HDN,YEL | A3RE WITH DIESEL |
| 28 | 0939827 | 4 | NUT,HEX HD,5/8-11,GR 8,LOCK,CADMIUM WAX | A3RE WITH DIESEL |
| 29 | 1107895 | 4 | CAPSCREW,HEX HD,5/8-11 X 2,GR8,YEL ZN | A3RE WITH DIESEL |
| 30 | 1021815 | 2 | CAPSCREW,HEX HD,3/4-10 X4 1/2,GR8, | |
| 31 | 0063492 | | WASHER,FLAT,.531 X 1.625 X 11 GA,HDN, | RH SIDE ONLY |
| 32 | 0054995 | AR | PIN,FLG HEAD,HUCKSPIN,.62 X 2.755 | |

Models: A3FE, A3RE, C1FE, C3FE, C4RE, CSFE, TCFE, TSFE
AIR
FRONT
HENDRICKSON PARASTEER
INSTALLATION
With: FEATURE 40004-07
BSN: From CSN 10096835 30096825

Key PartNumber Qty Description Comment



Models: A3FE, A3RE, C1FE, C3FE, C4RE, CSFE, TCFE, TSFE
AIR FRONT HENDRICKSON PARASTEER INSTALLATION
With: FEATURE 40004-07
BSN: From CSN 10096835 30096825

| Key | PartNumber | Qty | Description | Comment |
|-----|------------|-----|--|------------------------------|
| 2 | 0015248 | 2 | LINK ASSY,LVLG VLV,HENDRICKSON 58994-010 | |
| 3 | 0014860 | | VALVE ASSY,HT CONTROL,HENDRICKSON | |
| | 0014415 | | KIT,FRM COMP,SUSP,FRT,HEND 59553-000 | CONSISTS OF ITEMS 4 THRU 7 |
| 4 | 0006606 | | BRACKET,REINFORCEMENT,AIR SPRING 002130 | |
| 5 | 0006609 | | BRACKET,REINFORCEMENT, AIR SPRING | |
| 6 | 0006624 | | PLATE,AIR SPRING,UPPER LH 002270-1 | |
| 7 | 0006622 | | PLATE,AIR SPRING,UPPER RH 002270-02 | |
| 8 | 0040015 | 2 | SHOCK ABSORBER,FRT,HENDRICKSON 60998 | |
| 20 | 0023372 | | CROSSMEMBER ASSY,TRACK ROD,8.5 RIDE HT | 8.5 RIDE HT. ALL EXCEPT C4RE |
| 20 | 0033592 | | CROSSMEMBER ASSY,TRACK ROD,, RE | |
| 21 | 0014348 | 4 | CAPSCREW,HEX HEAD,5/8-11X3.75 GR8,YEL | |
| 22 | 0032222 | | CROSSMEMBER ASSY,FRT,FRT SUSP | |
| 23 | 0020089 | | BRACKET,MTG,MODULATOR VALVE,ABS | |
| 24 | 1969716 | | CROSSMEMBER,TRANSMISSION CLEARANCE, | |
| 24 | 1969815 | | CROSSMEMBER,TRANSMISSION CLEARANCE, | |
| 25 | 0043465 | 2 | BRACKET,MOUNTING,SHOCK TO FRAME,FRONT | |
| 26 | 0801936 | 2 | CAPSCREW,HEX HD,7/16-14X1 1/4,GR8, | |
| 27 | 2028546 | 4 | WASHER,FLAT,7/16,X 1 1/32 X 5/64,YL ZN | |
| 28 | 0997080 | 2 | NUT,HEX HD,7/16-14,LOCKING,GR 8,CADMIUM | |
| 29 | 0850800 | 2 | NUT,HEX HD,1/2-13,LOCKING,GR 8,CAD WAX | |
| 29 | 0850800 | 46 | NUT,HEX HD,1/2-13,LOCKING,GR 8,CAD WAX | |
| 30 | 1003045 | 78 | WASHER,FLAT,17/32 X 1 1/16 X 7/64,HDN, | |
| 31 | 1942135 | 14 | CAPSCREW,HEX HD 1/2-13X 1 1/4,GR8, | |

Models: A3FE, A3RE, C1FE, C3FE, C4RE, CSFE, TCFE, TSFE
AIR
FRONT
HENDRICKSON PARASTEER
INSTALLATION
With: FEATURE 40004-07
BSN: From CSN 10096835 30096825

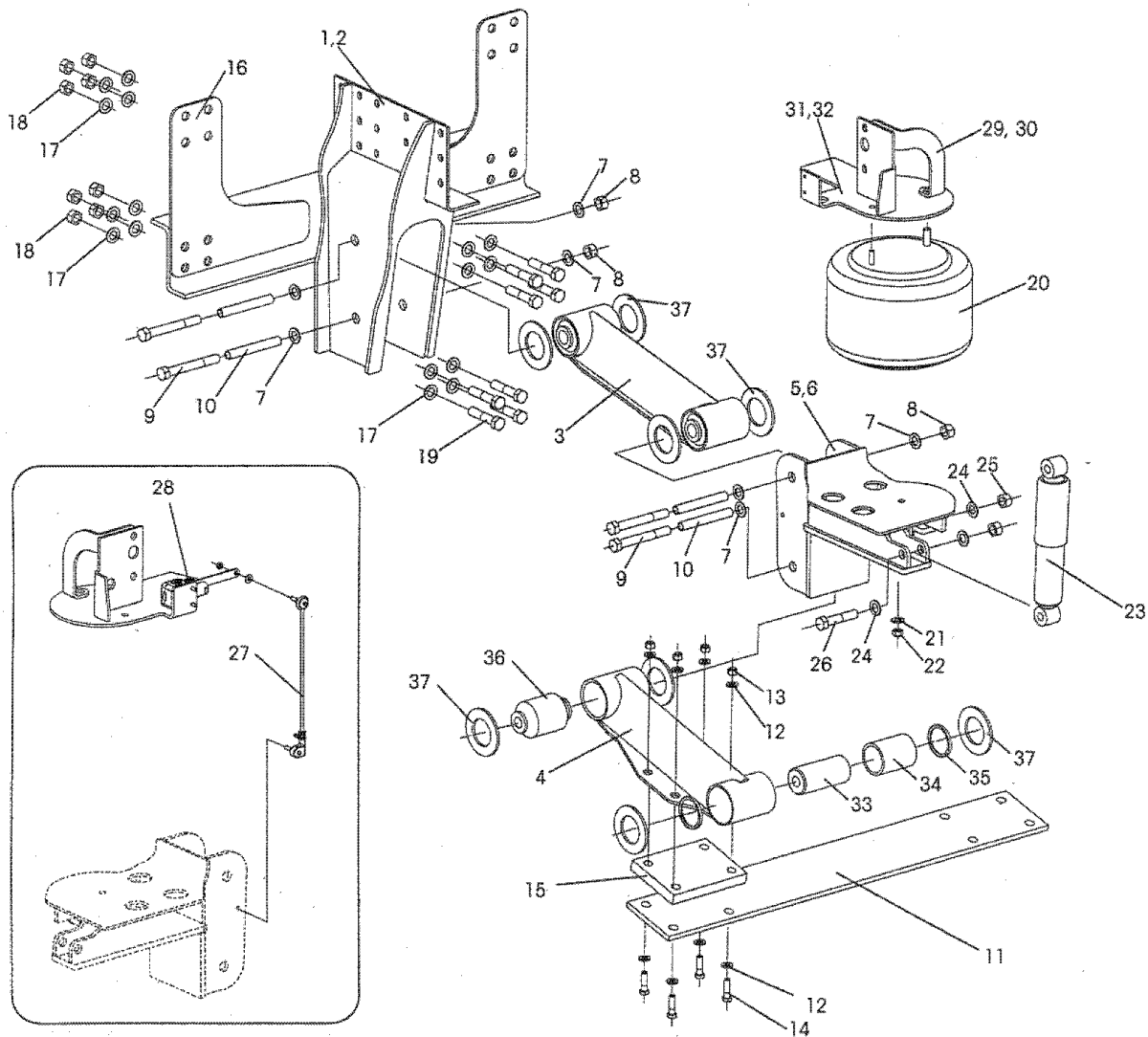
| Key | PartNumber | Qty | Description | Comment |
|-----|------------|-----|--|---------|
| 32 | 1022805 | 2 | CAPSCREW,HEX HD,5/8-11 X 5,GR 8,YEL ZN | |
| 33 | 0870907 | 4 | WASHER,FLAT,11/16 X 1 3/16 X 1/8,BLK ZN | |
| 34 | 0939827 | 2 | NUT,HEX HD,5/8-11,GR 8,LOCK,CADMIUM WAX | |
| 34 | 0939827 | 4 | NUT,HEX HD,5/8-11,GR 8,LOCK,CADMIUM WAX | |
| 35 | 0803239 | 28 | CAPSCREW,HEX HD,1/2-13 X1 1/2,GR8 | |
| 36 | 4609871 | | GREASE,AQUALUBE,SWAY BAR | |
| 39 | 0985549 | 2 | NUT,HEX HD,3/4-16,NYLON LOCK,YEL ZN DICH | |
| 40 | 1317783 | 2 | CAPSCREW,HEX HD,3/4-10 X 5,GR 8,YEL ZN | |
| 41 | 0020088 | 2 | BRACKET,RETAINER,BUSHING,STAB BAR,2.12 | |
| 42 | 0933879 | 4 | NUT,HEX HD,3/4-10,PRVLG TORQ,GR8,CAD | |
| 43 | 1487826 | | CROSSMEMBER,FLAT,FRONT W/AIR SUSP,TCRE, | |
| 44 | 1807577 | | CROSSMEMBER,STAMPED,34 INCH | |
| 45 | 0870873 | 2 | CAPSCREW,HEX HD,3/4-10 X 4,GR 8,YEL ZN | |
| 46 | 0008068 | 8 | CAPSCREW,HEX HD,3/4-10X3,GR8,YELZNDICH | |
| 47 | 0607036 | | WASHER,FLAT,13/16 X 1 3/8 X 7/64 ZP,HRD | |
| 48 | 1023464 | 8 | NUT,HEX HD,3/4-10,HVY,NY INS,GR8,YEL | |
| 49 | 0027286 | | BAR,TORSION,1.75 IN O.D.,FRONT SUSP,HEND | |
| 50 | 0040030 | 2 | BUSHING,MIDSECTION,1.75 ID,ADDCO | |
| 51 | 0030668 | 4 | BUSHING,LINK,STABILIZER BAR | |
| 52 | 0030670 | 8 | BUSHING,STABILIZER BAR,URETHANE,ADDCO | |
| 53 | 0024706 | 2 | BRACKET,MIDSECTION,ADDCO RH801 | |
| 54 | 0035459 | 2 | BRACKET ASSY,MOUNTING,STAB BAR,FRONT, | |
| 55 | 0043209 | 2 | LINK,STABILIZER BAR" | |

Models: A3FE, A3RE, C1FE, C3FE, C4RE, CSFE, TCFE, TSFE
AIR
FRONT
HENDRICKSON PARASTEER
INSTALLATION
With: FEATURE 40004-07
BSN: From CSN 10096835 30096825

| Key | PartNumber | Qty | Description | Comment |
|-----|------------|-----|-------------------------------|-----------|
| 56 | 0046585 | 2 | PLATE,SPACER,,SUSPENSION,25TK | C4RE ONLY |

Models: A3FE, C3FE
AIR
FRONT
HENDRICKSON PARASTEER
KIT PARTS BREAKDOWN
With: FEATURE 40004-07
BSN: From CSN 10096835 30096825

| Key | PartNumber | Qty | Description | Comment |
|-----|------------|-----|-------------|---------|
|-----|------------|-----|-------------|---------|



Models: A3FE, C3FE
AIR
FRONT
HENDRICKSON PARASTEER
KIT PARTS BREAKDOWN
With: FEATURE 40004-07
BSN: From CSN 10096835 30096825

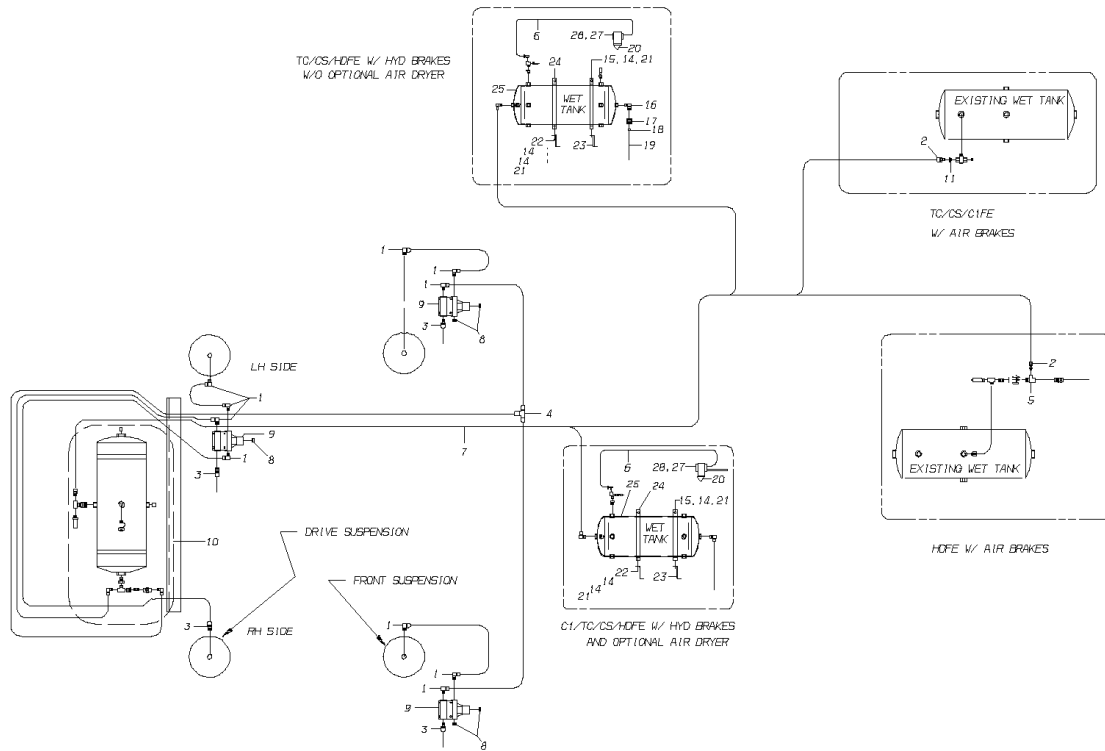
| Key | PartNumber | Qty | Description | Comment |
|-----|------------|-----|--|--|
| | 0040037 | | SUSPENSION ASSY,HEND 60300-011, HDFE | CONSISTS OF THE FOLLOWING |
| 1 | 0006704 | | HANGER ASSEMBLY,LH | |
| 2 | 0006710 | | HANGER ASSEMBLY,RH | |
| 3 | 0006711 | 2 | BEAM ASSEMBLY,UPPER 002571 | |
| 4 | 0006711 | 2 | BEAM ASSEMBLY,UPPER 002571 | |
| 5 | 0006715 | | AXLE SEAT WELDMENT,LH 002480-1 | |
| 6 | 0006717 | | AXLE SEAT WELDMENT,RH 002480-2 | |
| 10 | 0023031 | | TUBE,PLASTIC LINER,HENDRICKSON,59504 | |
| | 0006729 | | KIT,BOLT,AIR SPRING 002276 | INCLUDES KEY NUMBERS 20, 21, AND 22 |
| 20 | | | AIR SPRING | |
| 21 | | | HARDENED FLAT WASHER | |
| 22 | | | NYLOCK NUT | |
| 23 | 0040015 | | SHOCK ABSORBER,FRT,HENDRICKSON 60998 | |
| 27 | 0015248 | | LINK ASSY,LVLG VLV,HENDRICKSON 58994-010 | |
| 28 | 0014860 | | VALVE ASSY,HT CONTROL,HENDRICKSON | |
| | 0014415 | | KIT,FRM COMP,SUSP,FRT,HEND 59553-000 | INCLUDES KEY NUMBERS 29, 30, 31, AND 32 |
| 29 | 0066066 | | ARM ASSY,MIRROR,PASS,W/BRACE,SS,HTD, | |
| 30 | 0006609 | | BRACKET,REINFORCEMENT, AIR SPRING | |
| 31 | 0006624 | | PLATE,AIR SPRING,UPPER LH 002270-1 | |
| 32 | 0006622 | | PLATE,AIR SPRING,UPPER RH 002270-02 | |
| | 0035138 | | KIT,UPR & LWR TORQUE ARM FRT/REAR BUSH | INCLUDES KEY NUMBERS 33, 34, 35, 36, AND 37 |
| 33 | 0038925 | 2 | BUSHING,INNER METAL,HENDRICKSON | |

Models: A3FE, C3FE
AIR
FRONT
HENDRICKSON PARASTEER
KIT PARTS BREAKDOWN
With: FEATURE 40004-07
BSN: From CSN 10096835 30096825

| Key | PartNumber | Qty | Description | Comment |
|-----|------------|-----|---|---------|
| 35 | 0029778 | 4 | O-RING,SEAL,HENDRICKSON | |
| 36 | 0029022 | 6 | BUSHING,TORQUE ARM, | |
| 37 | 0006722 | 16 | WEAR PAD 002268 | |
| | 0025273 | 20 | WASHER,3/4,HARDENED,STABILIZER SHOCK | |
| | 0038339 | 16 | WASHER,HARDENED,7/8",HENDRICKSON | |
| | 0023033 | 4 | WASHER,HENDRICKSON,22962-004 | |
| | 0023036 | | BOLT,HEX,5/8-11X7,HENDRICKSON,32043-007 | |
| | 0023035 | | BOLT,HEX,5/8-11 X 6.25 | |
| | 0023032 | 2 | LOCKNUT,5/8-11,HENDRICKSON,47764-000 | |
| | 0025276 | | LOCKNUT,3/4",STABILIZER SHOCK KIT, | |
| | 0034234 | | NUT,(ASSY 0011783), KEY #1 | |
| | 0025275 | | HEX BOLT,3/4" X 2 1/4",STABILIZER SHOCK | |
| | 0034244 | 8 | BOLT,(ASSY 0011783),KEY #1 | |
| | 0023039 | | WASHER,THRUST,HENDRICKSON,59803-000" | |
| | 0020978 | | TRACK ROD,HENDRICKSON | |

Models: A3FE, C1FE, C3FE, CSFE, TCFE
AIR FRONT AND REAR HENDRICKSON AIR PIPING
With: FEATURE 40004-05,-07, 40005-05,-06
BSN: From CSN 10096696

| Key | PartNumber | Qty | Description | Comment |
|-----|------------|-----|-------------|---------|
|-----|------------|-----|-------------|---------|



Models: A3FE, C1FE, C3FE, CSFE, TCFE
AIR
FRONT AND REAR
HENDRICKSON
AIR PIPING
With: FEATURE 40004-05,-07, 40005-05,-06
BSN: From CSN 10096696

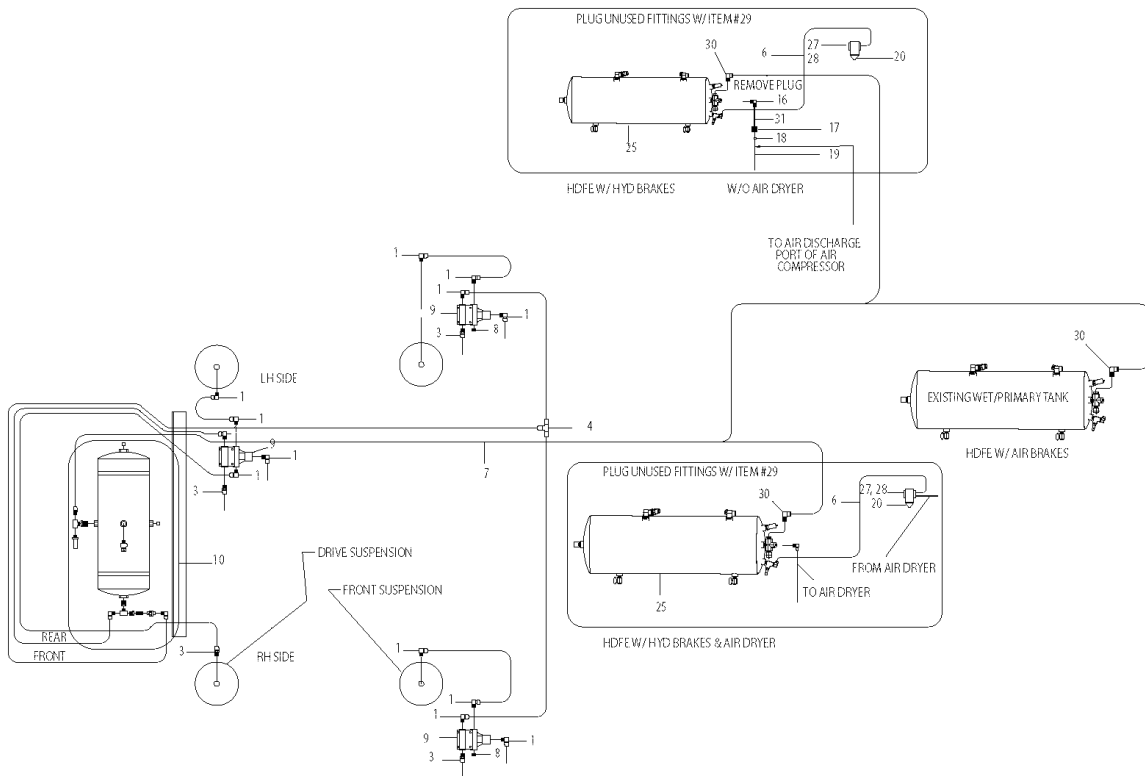
| Key | PartNumber | Qty | Description | Comment |
|-----|------------|-----|---|--|
| 1 | 0009912 | 10 | ELBOW,90 DEG,MALE1869X4X4-Z,.25MPT | |
| 2 | 0009924 | | CONNECTOR,MALE,1868X6-Z,.25MPT X .38T" | AIR BRAKES ONLY |
| 3 | 0009922 | 4 | CONNECTOR,MALE,1868X4X4-Z,.25MPT X .25T" | |
| 4 | 0009987 | | TEE,UNION,1864X4,.25T | |
| 5 | 0654277 | | TEE,STREET,1/4 PIPE,3750X4 | HDFE, AIR BRAKES ONLY |
| 6 | 0654962 | 50 | TUBING,PLASTIC,1/4 OD,BLACK,SAE J844 TYPE | |
| 7 | 0989319 | 25 | TUBING,PLASTIC,3/8 OD,BLACK,SAE J844 TYPE | |
| 8 | 2023513 | 5 | PLUG,PIPE,1/4,ALLEN HEX HD,BRASS | |
| 9 | 0014860 | 3 | VALVE ASSY,HT CONTROL,HENDRICKSON | |
| 10 | 0015099 | | RESERVOIR ASSY,AIR SUSP,FRONT & REAR, FE | |
| 11 | 2027134 | | BUSHING,PIPE,3/8 X 1/4,BRASS | TC/ CS/ C1FE AIR BRAKES ONLY |
| 14 | 1107085 | 18 | WASHER,FLAT,13/32 X 13/16 X 3/32,HDN,BLK | HYDRAULIC BRAKES WITH OR WITHOUT AIR DRYER |
| 15 | 0851337 | 2 | CAPSCREW,HEX HD,3/8-16X6 1/2,GR5,YEL | HYDRAULIC BRAKES WITH OR WITHOUT AIR DRYER |
| 16 | 0754879 | | ELBOW,1/2 MPT X 5/8 TUBE | HYDRAULIC BRAKES ONLY |
| 17 | 2055846 | | NUT | HYDRAULIC BRAKES ONLY |
| 18 | 2026763 | | FERRULE,60 X 10 5/8 IN | HYDRAULIC BRAKES ONLY |
| 19 | 1024975 | | HOSE ASSY,AIR CMPR DISCH,30 LONG | HYDRAULIC BRAKES ONLY |
| 20 | 0034886 | | GOVERNOR ASSY,AIR COMPRESSOR,FE | HYDRAULIC BRAKES WITH OR WITHOUT AIR DRYER |
| 21 | 0826297 | 8 | NUT,HEX HD,3/8-16 LOCK,YEL ZN DICH | HYDRAULIC BRAKES WITH OR WITHOUT AIR DRYER |
| 22 | 0803213 | 8 | CAPSCREW,HEX HD,3/8-16X1 1/4,GR8,YEL | HYDRAULIC BRAKES WITH OR WITHOUT AIR DRYER |
| 23 | 1341841 | 2 | BRACKET,MTG,AIR BRAKE TANK,TCFC | HYDRAULIC BRAKES WITH OR WITHOUT AIR DRYER |
| 24 | 0850586 | 4 | BRACKET,MTG,9 1/2IN,AIR RESERVOIR | |

Models: A3FE, C1FE, C3FE, CSFE, TCFE
AIR
FRONT AND REAR
HENDRICKSON
AIR PIPING
With: FEATURE 40004-05,-07, 40005-05,-06
BSN: From CSN 10096696

| Key | PartNumber | Qty | Description | Comment |
|-----|------------|-----|--|---|
| | | | | <i>WITHOUT AIR DRYER</i> |
| 25 | 1942044 | | RESERVOIR ASSY,WET TK,HYD BRK,REYCO | <i>HYDRAULIC BRAKES WITH OR WITHOUT AIR DRYER</i> |
| 27 | 2001188 | 2 | LOCKWASHER,SPLIT RING, 5/16,MED,YEL ZN | <i>HYDRAULIC BRAKES WITH OR WITHOUT AIR DRYER</i> |
| 28 | 0002746 | 2 | CAPSCREW,ALLEN,SOC HD,M8-1.25 X 70MM, | <i>HYDRAULIC BRAKES WITH OR WITHOUT AIR DRYER</i> |

Models: A3FE, C3FE
AIR FRONT AND REAR HENDRICKSON AIR PIPING
With: FEATURE 40004-05,-07, 40005-05,-06
BSN: From CSN 258950 (11/06/06)

| Key | PartNumber | Qty | Description | Comment |
|-----|------------|-----|-------------|---------|
|-----|------------|-----|-------------|---------|

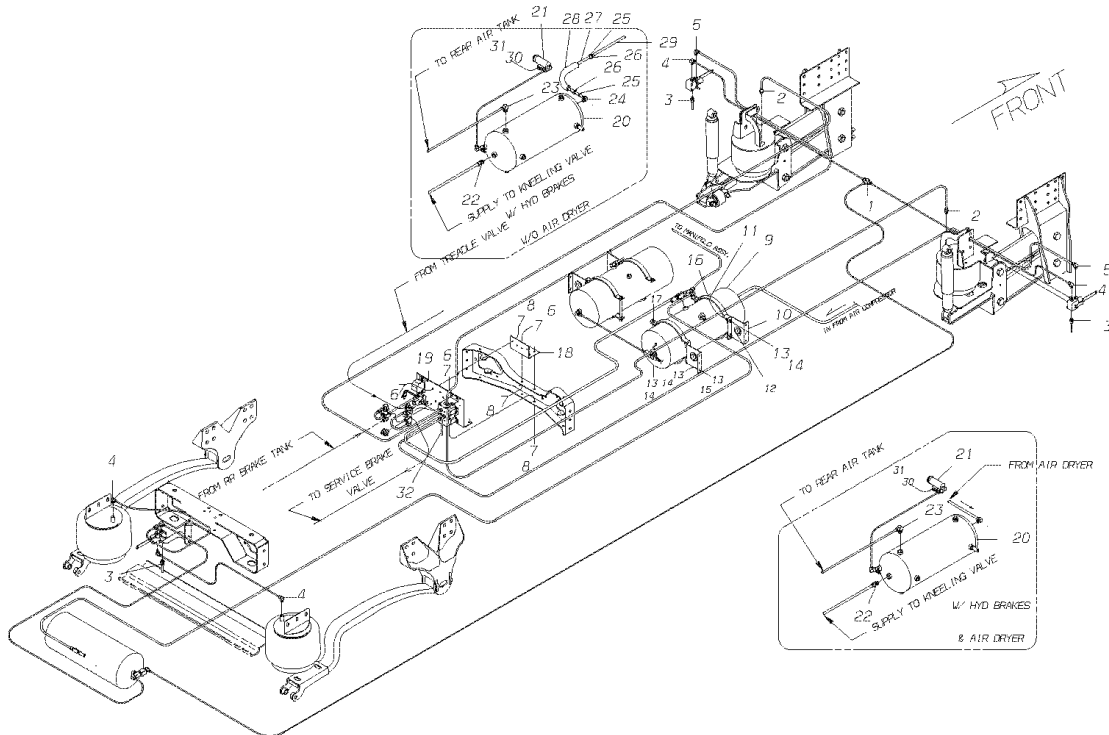


Models: A3FE, C3FE
AIR
FRONT AND REAR
HENDRICKSON
AIR PIPING
With: FEATURE 40004-05,-07, 40005-05,-06
BSN: From CSN 258950 (11/06/06)

| Key | PartNumber | Qty | Description | Comment |
|-----|------------|-----|---|--------------------------------|
| 1 | 0009912 | 13 | ELBOW,90 DEG,MALE1869X4X4-Z,.25MPT | |
| 3 | 0009922 | 4 | CONNECTOR,MALE,1868X4X4-Z,.25MPT X .25T" | |
| 4 | 0009987 | | TEE,UNION,1864X4,.25T | |
| 6 | 0654962 | AR | TUBING,PLASTIC,1/4 OD,BLACK,SAE J844 TYPE | |
| 7 | 0989319 | AR | TUBING,PLASTIC,3/8 OD,BLACK,SAE J844 TYPE | |
| 8 | 2023513 | 2 | PLUG,PIPE,1/4,ALLEN HEX HD,BRASS | |
| 9 | 0014860 | 3 | VALVE ASSY,HT CONTROL,HENDRICKSON | |
| 10 | 0015099 | | RESERVOIR ASSY,AIR SUSP,FRONT & REAR, FE | |
| 16 | 0754879 | | ELBOW,1/2 MPT X 5/8 TUBE | HYDRAULIC BRAKES ONLY |
| 17 | 2055846 | | NUT | HYDRAULIC BRAKES ONLY |
| 18 | 2026763 | | FERRULE,60 X 10 5/8 IN | HYDRAULIC BRAKES ONLY |
| 19 | 1024975 | | HOSE ASSY,AIR CMPR DISCH,30 LONG | HYDRAULIC BRAKES ONLY |
| 20 | 0034886 | | GOVERNOR ASSY,AIR COMPRESSOR,FE | |
| 25 | 0102883 | | RESERVOIR ASSY,BRAKE ,AIR,MULTI CMPT | |
| 27 | 2001188 | 2 | LOCKWASHER,SPLIT RING, 5/16,MED,YEL ZN | |
| 28 | 0002746 | 2 | CAPSCREW,ALLEN,SOC HD,M8-1.25 X 70MM, | |
| 29 | 0103987 | 3 | PLUG,PRESSURE,NYLON,.50 OD TUBE, 1829X8 | |
| 30 | 0009911 | | ELBOW,90 DEG,MALE1869X6X6-Z,.38MPT | |
| 31 | 2027407 | | TUBING,COPPER,5/8,TYPE L (S04060) | HYDRAULIC BRAKES W/O AIR DRYER |

Models: A3FE, C3FE
AIR
FRONT AND REAR
HENDRICKSON WITH KNEELING FEATURE
AIR PIPING
With: FEATURE 40004-07 WITH 4569

| Key | PartNumber | Qty | Description | Comment |
|-----|------------|-----|-------------|---------|
|-----|------------|-----|-------------|---------|



Models: A3FE, C3FE
AIR
FRONT AND REAR
HENDRICKSON WITH KNEELING FEATURE
AIR PIPING
With: FEATURE 40004-07 WITH 4569

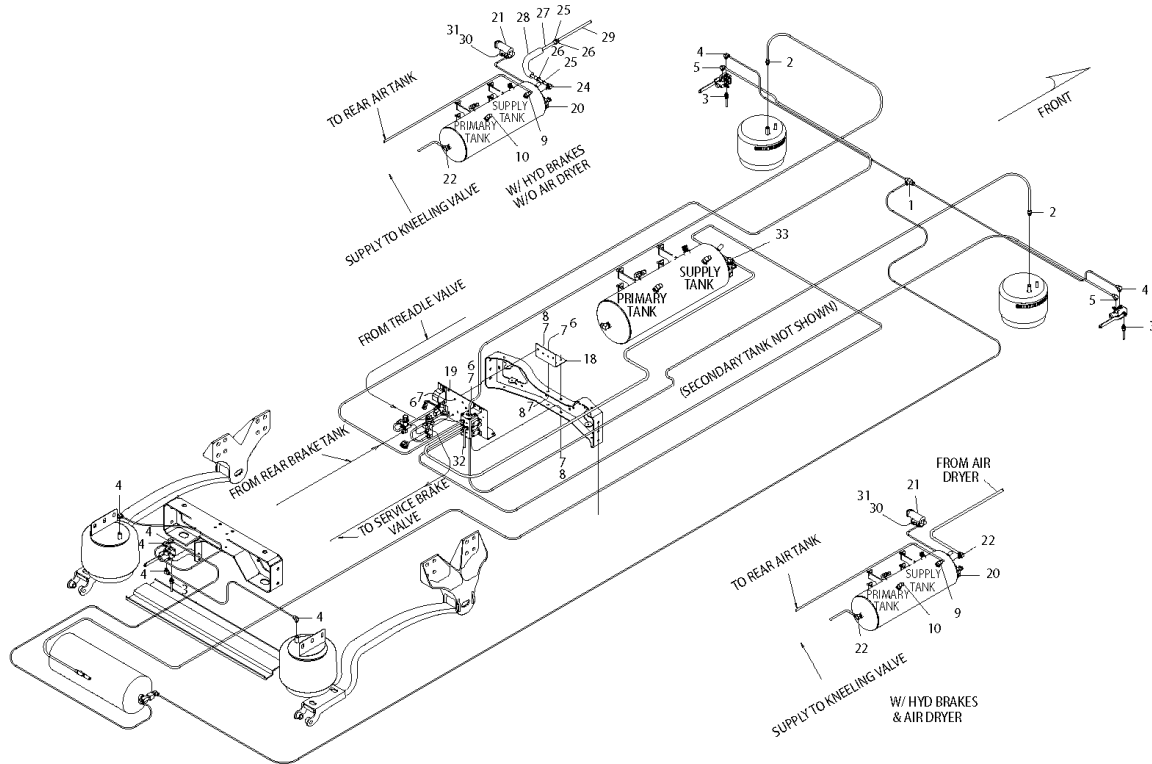
| Key | PartNumber | Qty | Description | Comment |
|-----|------------|-----|--|---------|
| 1 | 0009987 | | TEE,UNION,1864X4,.25T | |
| 2 | 0009924 | 2 | CONNECTOR,MALE,1868X6-Z,.25MPT X .38T" | |
| 3 | 0009922 | 3 | CONNECTOR,MALE,1868X4X4-Z,.25MPT X .25T" | |
| 4 | 0009912 | 7 | ELBOW,90 DEG,MALE1869X4X4-Z,.25MPT | |
| 5 | 0009914 | 2 | ELBOW,90 DEG,MALE1869X6-Z,.25MPT X .38T" | |
| 6 | 0803213 | 6 | CAPSCREW,HEX HD,3/8-16X1 1/4,GR8,YEL | |
| 7 | 1107085 | 12 | WASHER,FLAT,13/32 X 13/16 X 3/32,HDN,BLK | |
| 8 | 0826297 | 6 | NUT,HEX HD,3/8-16 LOCK,YEL ZN DICH | |
| 9 | 0085626 | | RESERVOIR ASSY,AUX,WET,KNEELING,HEND, | |
| 10 | 0003315 | 2 | SPACER,AIR RESERVOIR BRACKET,HDFE | |
| 11 | 0850586 | 4 | BRACKET,MTG,9 1/2IN,AIR RESERVOIR | |
| 12 | 2003176 | 2 | GROMMET,HEATER HOSE,1 1/2IN ID | |
| 13 | 1107085 | 14 | WASHER,FLAT,13/32 X 13/16 X 3/32,HDN,BLK | |
| 14 | 0826297 | 10 | NUT,HEX HD,3/8-16 LOCK,YEL ZN DICH | |
| 15 | 0803171 | 4 | CAPSCREW,HEXHD,3/8-16NCX1-1/2,GR8, | |
| 16 | 0803213 | 4 | CAPSCREW,HEX HD,3/8-16X1 1/4,GR8,YEL | |
| 17 | 0851337 | 2 | CAPSCREW,HEX HD,3/8-16X6 1/2,GR5,YEL | |
| 18 | 0085097 | | BRACKET,MTG,FRONT BRAKE RELAY | |
| 19 | 0085400 | | VALVE ASSY,AIR,KNEELING,HEND SUSP, FE | |
| 20 | 1942044 | | RESERVOIR ASSY,WET TK,HYD BRK,REYCO | |
| 21 | 0034886 | | GOVERNOR ASSY,AIR COMPRESSOR,FE | |
| 22 | 0009920 | | CONNECTOR,MALE,1868X8X8-Z,.50MPT X .50T" | |
| 23 | 0009909 | | ELBOW,90 DEG,MALE1869X6X8-Z,.50MPT | |

Models: A3FE, C3FE
AIR
FRONT AND REAR
HENDRICKSON WITH KNEELING FEATURE
AIR PIPING
With: FEATURE 40004-07 WITH 4569

| Key | PartNumber | Qty | Description | Comment |
|-----|------------|-----|--|---------|
| 24 | 0754879 | | ELBOW,1/2 MPT X 5/8 TUBE | |
| 25 | 2026763 | | FERRULE,60 X 10 5/8 IN | |
| 26 | 2055846 | | NUT | |
| 27 | 2027407 | | TUBING,COPPER,5/8,TYPE L (S04060) | S04060 |
| 28 | 1741925 | | INSULATION,PIPE,POLYETHYLENE,1/2 THICK | |
| 29 | 1024975 | | HOSE ASSY,AIR CMPR DISCH,30 LONG | |
| 30 | 2001188 | | LOCKWASHER,SPLIT RING, 5/16,MED,YEL ZN | |
| 31 | 0002746 | | CAPSCREW,ALLEN,SOC HD,M8-1.25 X 70MM, | |
| 32 | 0989319 | | TUBING,PLASTIC,3/8 OD,BLACK,SAE J844 TYPE | |
| 32 | 0654962 | | TUBING,PLASTIC,1/4 OD,BLACK,SAE J844 TYPE | |
| 32 | 1220060 | | TUBING,PLASTIC,1/4 OD,GRAY,SAE J844 TYPE A | |
| 32 | 0012450 | | TUBING,PLASTIC,3/8 OD,ORANGE,SAE J844 | |
| 32 | 0989319 | | TUBING,PLASTIC,3/8 OD,BLACK,SAE J844 TYPE | |
| 32 | 1197177 | | TUBING,PLASTIC,1/2 OD,SILVER,SAE J844 TYPE | |
| 32 | 0012435 | | TUBING,PLASTIC,3/8 OD,BROWN,SAE J844 | |
| 32 | 0012443 | | TUBING,PLASTIC,3/8 OD,GREEN,SAE J844 TYPE | |
| 32 | 1220037 | | TUBING,PLASTIC,3/8 OD,RED,SAE J844 TYPE B | |

Models: A3FE, C3FE
AIR FRONT AND REAR HENDRICKSON WITH KNEELING FEATURE AIR PIPING
With: FEATURE 4569 KNEELING WITH 40004-07 HENDRICKSON SUSPENSION
BSN: From 6/11/07

| Key | PartNumber | Qty | Description | Comment |
|-----|------------|-----|-------------|---------|
|-----|------------|-----|-------------|---------|



Models: A3FE, C3FE
AIR
FRONT AND REAR
HENDRICKSON WITH KNEELING FEATURE
AIR PIPING
With: FEATURE 4569 KNEELING WITH 40004-07 HENDRICKSON SUSPENSION
BSN: From 6/11/07

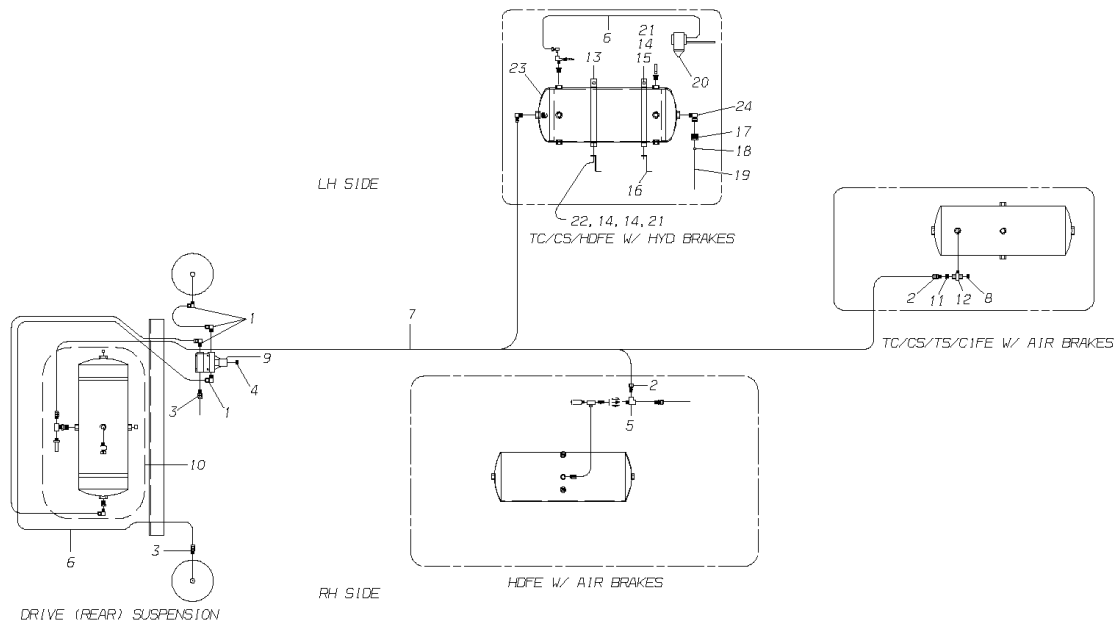
| Key | PartNumber | Qty | Description | Comment |
|-----|------------|-----|--|---------|
| 1 | 0009987 | | TEE,UNION,1864X4,.25T | |
| 2 | 0009924 | 2 | CONNECTOR,MALE,1868X6-Z,.25MPT X .38T" | |
| 3 | 0009922 | 3 | CONNECTOR,MALE,1868X4X4-Z,.25MPT X .25T" | |
| 4 | 0009912 | 7 | ELBOW,90 DEG,MALE1869X4X4-Z,.25MPT | |
| 5 | 0009914 | 2 | ELBOW,90 DEG,MALE1869X6-Z,.25MPT X .38T" | |
| 6 | 0803213 | 6 | CAPSCREW,HEX HD,3/8-16X1 1/4,GR8,YEL | |
| 7 | 1107085 | 12 | WASHER,FLAT,13/32 X 13/16 X 3/32,HDN,BLK | |
| 8 | 0826297 | 6 | NUT,HEX HD,3/8-16 LOCK,YEL ZN DICH | |
| 9 | 0009909 | | ELBOW,90 DEG,MALE1869X6X8-Z,.50MPT | |
| 10 | 0110423 | | PLUG,PRESSURE,NYLON,.625 OD TUBE, | |
| 18 | 0085097 | | BRACKET,MTG,FRONT BRAKE RELAY | |
| 19 | 0085400 | | VALVE ASSY,AIR,KNEELING,HEND SUSP, FE | |
| 20 | 0102883 | | RESERVOIR ASSY,BRAKE ,AIR,MULTI CMPT | |
| 21 | 0034886 | | GOVERNOR ASSY,AIR COMPRESSOR,FE | |
| 22 | 0009907 | AR | ELBOW,90 DEG,MALE1869X8X8-Z,.50MPT | |
| 23 | 0009909 | | ELBOW,90 DEG,MALE1869X6X8-Z,.50MPT | |
| 24 | 0754879 | | ELBOW,1/2 MPT X 5/8 TUBE | |
| 25 | 2026763 | | FERRULE,60 X 10 5/8 IN | |
| 26 | 2055846 | | NUT | |
| 27 | 2027407 | | TUBING,COPPER,5/8,TYPE L (S04060) | |
| 28 | 1741925 | | INSULATION,PIPE,POLYETHYLENE,1/2 THICK | |
| 29 | 1024975 | | HOSE ASSY,AIR CMPR DISCH,30 LONG | |
| 30 | 2001188 | | LOCKWASHER,SPLIT RING, 5/16,MED,YEL ZN | |

Models: A3FE, C3FE
AIR
FRONT AND REAR
HENDRICKSON WITH KNEELING FEATURE
AIR PIPING
With: FEATURE 4569 KNEELING WITH 40004-07 HENDRICKSON SUSPENSION
BSN: From 6/11/07

| Key | PartNumber | Qty | Description | Comment |
|-----|------------|-----|---|---------|
| 31 | 0002746 | | CAPSCREW,ALLEN,SOC HD,M8-1.25 X 70MM, | CUMMINS |
| 31 | 0035607 | | CAPSCREW,ALLEN,SOC HD,5/16-18X2 3/4,BLK | CAT |
| 32 | 0989319 | AR | TUBING,PLASTIC,3/8 OD,BLACK,SAE J844 TYPE | |
| 33 | 0027594 | | TEE,MALE,BRANCH,117-63686 | |

Models: A3FE, C1FE, C3FE, CSFE, TCFE, TSFE
AIR REAR HENDRICKSON, COMFORT AIR AIR PIPING
With: FEATURE 40005-02,-03,-06

| Key | PartNumber | Qty | Description | Comment |
|-----|------------|-----|-------------|---------|
|-----|------------|-----|-------------|---------|

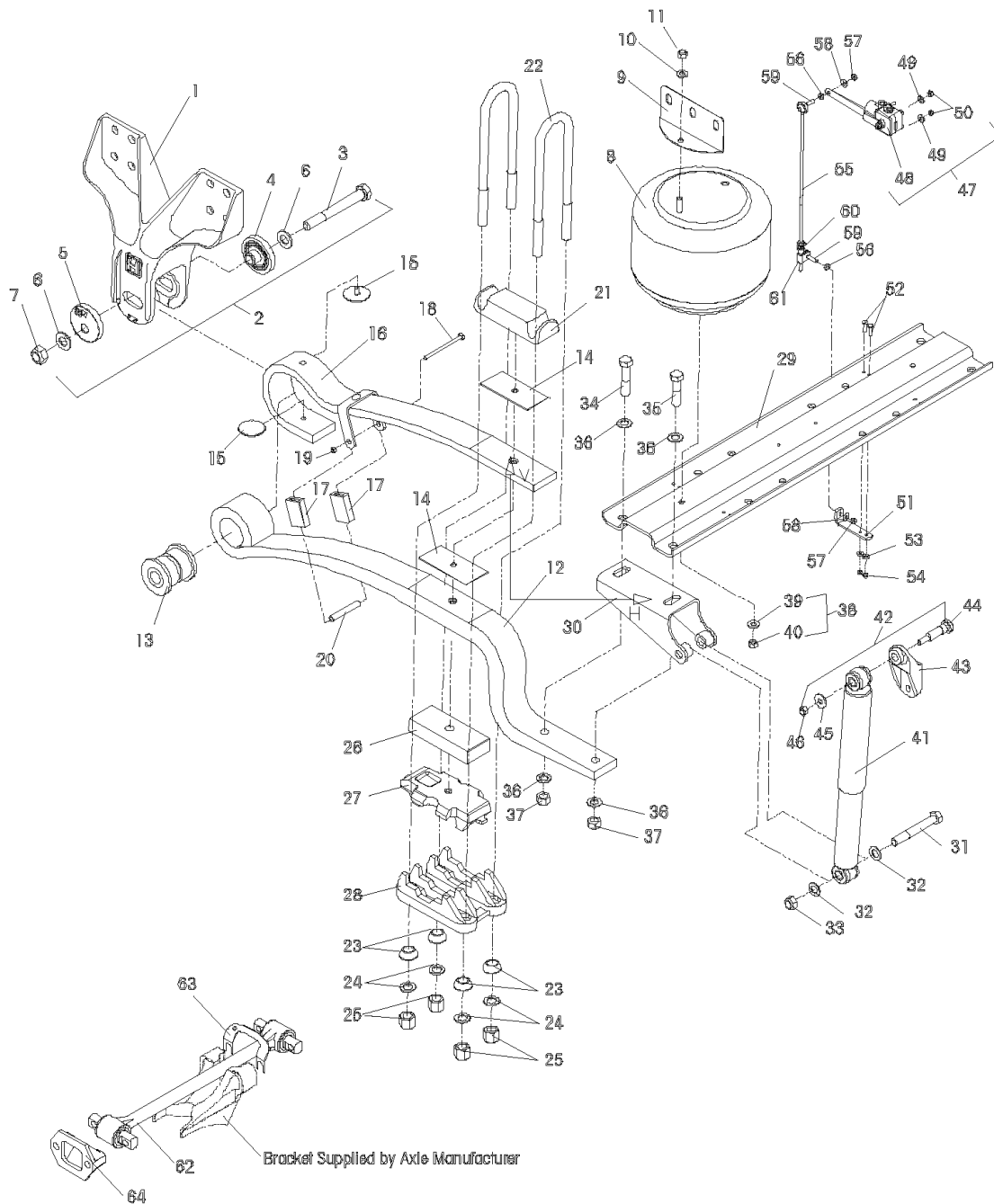


Models: A3FE, C1FE, C3FE, CSFE, TCFE, TSFE
AIR REAR HENDRICKSON, COMFORT AIR AIR PIPING
With: FEATURE 40005-02,-03,-06

| Key | PartNumber | Qty | Description | Comment |
|-----|------------|-----|---|--|
| 1 | 0009912 | 4 | ELBOW,90 DEG,MALE1869X4X4-Z,.25MPT | |
| 2 | 0009924 | | CONNECTOR,MALE,1868X6-Z,.25MPT X .38T" | AIR BRAKES ONLY |
| 3 | 0009922 | 2 | CONNECTOR,MALE,1868X4X4-Z,.25MPT X .25T" | |
| 4 | 2023513 | | PLUG,PIPE,1/4,ALLEN HEX HD,BRASS | |
| 5 | 0654277 | | TEE,STREET,1/4 PIPE,3750X4 | HDFE AIR BRAKES ONLY |
| 6 | 0654962 | 50 | TUBING,PLASTIC,1/4 OD,BLACK,SAE J844 TYPE | |
| 7 | 0989319 | 25 | TUBING,PLASTIC,3/8 OD,BLACK,SAE J844 TYPE | |
| 9 | 0014860 | | VALVE ASSY,HT CONTROL,HENDRICKSON | |
| 10 | 1738954 | | RESERVOIR ASSY,AIR SUSP,REAR ONLY, FE | |
| 11 | 2027134 | | BUSHING,PIPE,3/8 X 1/4,BRASS | TC/CS/TS/C1 W/AIR BRAKES |
| 13 | 0850586 | 4 | BRACKET,MTG,9 1/2IN,AIR RESERVOIR | HYDRAULIC BRAKES ONLY |
| 14 | 1107085 | 16 | WASHER,FLAT,13/32 X 13/16 X 3/32,HDN,BLK | HYDRAULIC BRAKES ONLY |
| 15 | 0851337 | 2 | CAPSCREW,HEX HD,3/8-16X6 1/2,GR5,YEL | HYDRAULIC BRAKES ONLY |
| 16 | 1341841 | 2 | BRACKET,MTG,AIR BRAKE TANK,TCFC | HYDRAULIC BRAKES ONLY |
| 17 | 2055846 | | NUT | HYDRAULIC BRAKES ONLY |
| 18 | 2026763 | | FERRULE,60 X 10 5/8 IN | HYDRAULIC BRAKES ONLY |
| 19 | 1024975 | | HOSE ASSY,AIR CMPR DISCH,30 LONG | HYDRAULIC BRAKES ONLY |
| 20 | 1344985 | | GOVERNOR ASSY,BENDIX, TCFE | HYDRAULIC BRAKES ONLY, ENDING WITH CSN 5-6-01 |
| 20 | 0034886 | | GOVERNOR ASSY,AIR COMPRESSOR,FE | HYDRAULIC BRAKES ONLY, BEGIN WITH CSN 5-7-01 |
| 21 | 0826297 | 8 | NUT,HEX HD,3/8-16 LOCK,YEL ZN DICH | HYDRAULIC BRAKES ONLY |
| 22 | 0803213 | 8 | CAPSCREW,HEX HD,3/8-16X1 1/4,GR8,YEL | HYDRAULIC BRAKES ONLY |
| 23 | 1942044 | | RESERVOIR ASSY,WET TK,HYD BRK,REYCO | HYDRAULIC BRAKES ONLY |
| 24 | 0754879 | | ELBOW,1/2 MPT X 5/8 TUBE | HYDRAULIC BRAKES ONLY |

Models: A3FE, A3RE, BBCV, C1FE, C3FE, C4RE, CSFE, TCFE
AIR
REAR
HENDRICKSON, COMFORT AIR
BREAKDOWN
With: FEATURE 40005-05,-06

| Key | PartNumber | Qty | Description | Comment |
|-----|------------|-----|-------------|---------|
|-----|------------|-----|-------------|---------|



Models: A3FE, A3RE, BBCV, C1FE, C3FE, C4RE, CSFE, TCFE
AIR REAR HENDRICKSON, COMFORT AIR BREAKDOWN
With: FEATURE 40005-05,-06

| Key | PartNumber | Qty | Description | Comment |
|-----|------------|-----|---------------------------------------|--|
| 1 | 0058596 | | HANGER,FRAME,HEND COMFORT AIR" | |
| 2 | 0063263 | 4 | KIT,QUICK-ALIGN,HEND,COMFAIR | <i>KIT INCLUDES 3-7</i> |
| 2 | 0058597 | | KIT,PIVOT BUSHING,SERVICE,COMFORT AIR | <i>INCLUDES 3,6,7,13, AND 15 1 SIDE ONLY</i> |
| 3 | | 2 | 1 IN 8 UNC 7.50 IN BOLT | |
| 4 | | 3 | QUICK- ALIGN CONCENTRIC COLLAR | |
| 5 | | | QUICK- ALIGN ECCENTRIC COLLAR | |
| 6 | | 4 | 1 IN HARDENED WASHER | |
| 7 | | 2 | 1 IN 8 UNC LOCKNUT | |
| 13 | 0058601 | 2 | BUSHING,PIVOT,COMFORT AIR,HEND" | |
| 15 | 0068246 | 4 | PLATE,SUPPORT,MAIN MEMBER,HEND,(PUCK) | |
| | 0058599 | 2 | AIR SPRING ASSY,RE,COMFORT AIR,HEND" | <i>NCLUDES 8, 9, 10, 11</i> |
| | 0058600 | 2 | AIR SPRING ASSY,FE,COMFORT AIR,HEND" | <i>NCLUDES 8, 9, 10, 11</i> |
| 8 | | 2 | AIR SPRING | |
| 9 | | 2 | AIR SPRING HANGER | |
| 10 | | 2 | WASHER | |
| 11 | | 2 | 1/2 IN 13 UNC NYLOCKNUT | |
| | 0068268 | 2 | LEAF,SUPPORT,MAIN,MEMBER,HENDRICKSON | <i>INCLUDES KEY NOS 12-20</i> |
| 12 | | 2 | MAIN SUPPORT MEMBER | |
| 14 | | 4 | LINER, SUPPORT, MAIN MEMBER, | <i>NOT SERVICED SEPARATELY</i> |
| 16 | | 4 | SECONDARY LEAF | |
| 17 | 0058602 | 4 | SLEEVE,SPRING CLIP, COMFORT AIR,HEND | |
| 18 | | 2 | 7/16 IN 14 UNC BOLT | |
| NI | | | 7/16 IN WASHER | |

Models: A3FE, A3RE, BBCV, C1FE, C3FE, C4RE, CSFE, TCFE
AIR REAR HENDRICKSON, COMFORT AIR BREAKDOWN
With: FEATURE 40005-05,-06

| Key | PartNumber | Qty | Description | Comment |
|-----|------------|-----|--|---|
| 19 | | 2 | 7/16 IN 14 UNC NUT | |
| 20 | | 2 | CLIP BOLT SPACER | |
| 21 | 0006579 | 2 | PAD,TOP,HAS 56805000 | ALL EXCEPT C1FE |
| 21 | 0006578 | 2 | PAD,TOP,HAS 57224000 | C1FE ONLY |
| | 0058693 | | KIT,U-BOLT 3/4X16,C1FE HEND COMF AIR | INCLUDES 22, 23, 24, 25, C1FE ONLY |
| | 0006562 | | KIT,U-BOLT HARDWARE 48718023 | INCLUDES 22, 23, 24, 25, A3FE, BBCV, CSFE, TCFE, A3RE, C4RE |
| | 0058694 | | KIT,U-BOLT 7/8X16.25, CS/TC W/FLT FLR | INCLUDES 22, 23, 24, 25, BBCV, CSFE, TCFE W/ FLAT FLOOR |
| 22 | | | U-BOLT | |
| 23 | 0038336 | 8 | WASHER,SPHERICAL,HENDRICKSON | |
| 24 | 0038339 | 8 | WASHER,HARDENED,7/8",HENDRICKSON | |
| 24 | 0025273 | 8 | WASHER,3/4,HARDENED,STABILIZER SHOCK | 15,000 LB CAPACITY |
| 25 | 0038340 | 8 | NUT,7/8-14,HENDRICKSON | 15,000 LB CAPACITY |
| 26 | 0064386 | AR | SEAT,SPRING,O PINION ANGLE,LH/RH,HEND, | |
| 27 | 0060745 | 4 | SPRING SEAT, 2.00 DEGREE | |
| 27 | 0064387 | 4 | SEAT,SPRING,SPACER,1.5 IN,HEND,COMFAIR | |
| 28 | | | AXLE BOTTOM CAP | |
| 29 | | | CROSS CHANNEL | |
| | 0058603 | | ASSY,BRACKET,LOWER SHOCK,COMFORT AIR, | INCLUDED 30, 31, 32, 33 |
| 30 | | 2 | LOWER SHOCK BRACKET | |
| 31 | | 2 | 3/4 IN 10 UNC 5.50 IN BOLT | |
| 32 | 0025273 | 4 | WASHER,3/4,HARDENED,STABILIZER SHOCK | |
| 33 | 0025276 | 2 | LOCKNUT,3/4",STABILIZER SHOCK KIT, | |

Models: A3FE, A3RE, BBCV, C1FE, C3FE, C4RE, CSFE, TCFE
AIR REAR HENDRICKSON, COMFORT AIR BREAKDOWN
With: FEATURE 40005-05,-06

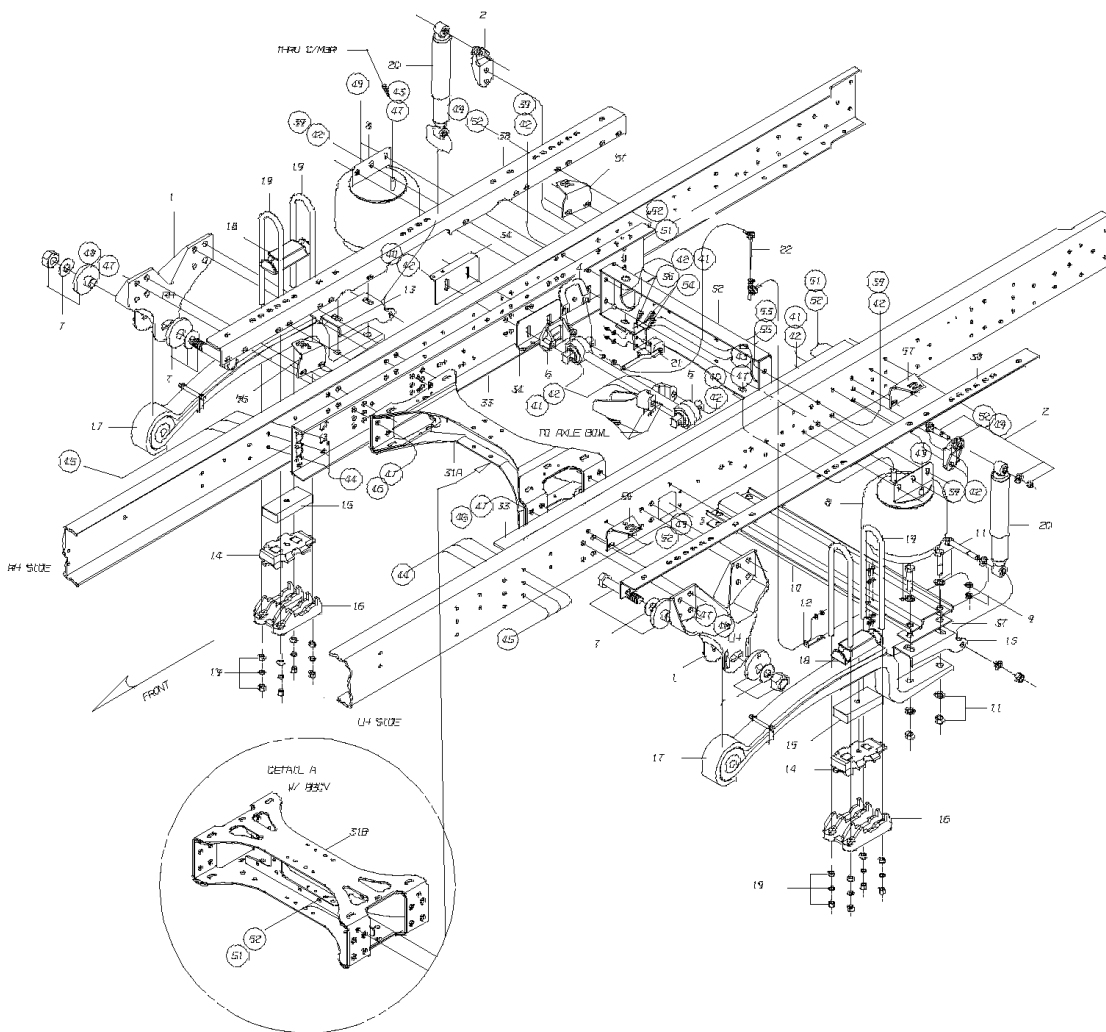
| Key | PartNumber | Qty | Description | Comment |
|-----|------------|-----|--|--|
| 35 | | 2 | 3/4 IN 10 UNC 3.00 IN BOLT | |
| 36 | 0025273 | 8 | WASHER,3/4,HARDENED,STABILIZER SHOCK | |
| 37 | 0025276 | 4 | LOCKNUT,3/4",STABILIZER SHOCK KIT, | |
| 38 | 0058604 | | KIT, AIR SPRING FASTENER,COMFORT AIR, | <i>INCLUDES 39 AND 40</i> |
| 39 | | 2 | 1/2 IN HARDENED WASHER | |
| 40 | | 2 | 1/2 IN 13 UNC NYLOCKNUT | |
| 41 | 0085991 | 2 | SHOCK ABSORBER,AIR SUSP,REAR,HEND | |
| 42 | 0058605 | | ASSY,BRACKET,UPPER SHOCK FRAME,COMFORT | <i>INCLUDES 43, 44, 45, 46</i> |
| 43 | | 2 | SHOCK FRAME HANGER | |
| 44 | | 2 | 1/2" 13 UNC SERRATED SHANK BOLT | |
| 45 | | 2 | 1/2 IN HARDENED WASHER | |
| 46 | | 2 | 1/2 IN 13 UNC LOCKNUT | |
| 47 | 0058606 | | KIT,HEIGHT CONTROL VALVE,COMFORT AIR, | <i>INCLUDES 48, 49, 50</i> |
| 48 | | | HEIGHT CONTROL VALVE | |
| 49 | | 2 | 1/4 IN HARDENED WASHER | |
| 50 | | 2 | 1/4" 20 UNC LOCKNUT | |
| | 0058608 | | KIT,BRKT,LOWER CONTROL VALVE LINK,FE | <i>INCLUDES 51, 52, 53, 54ALL EXCEPT REAR ENGINE</i> |
| | 0058609 | | KIT,BRKT,LOWER CONTROL VALVE LINK,RE | <i>INCLUDES 51, 52, 53, 54REAR ENGINE ONLY</i> |
| 51 | | | CONTROL VALVE LINK BRACKET | |
| 52 | | 2 | 1/4 IN 20 UNC 1.00 IN BOLT | |
| 53 | | 4 | 1/4 IN HARDENED WASHER | |
| 54 | | 2 | 1/4 IN 20 UNC LOCKNUT | |

Models: A3FE, A3RE, BBCV, C1FE, C3FE, C4RE, CSFE, TCFE
AIR
REAR
HENDRICKSON, COMFORT AIR
BREAKDOWN
With: FEATURE 40005-05,-06

| Key | PartNumber | Qty | Description | Comment |
|-----|------------|-----|--|---|
| | 0014951 | | LINK ASSY,LVLG VLV,HENDRICKSON 58994-009 | <i>INCLUDES 55, 56, 57, 58, 59, 60, 61, C1FE ONLY</i> |
| | 0014902 | | LINK ASSY,LVLG VLV,HENDRICKSON 58994-008 | <i>INCLUDES 55, 56, 57, 58, 59, 60, 61, ALL EXCEPT C1FE</i> |
| 55 | | | EXTENSION ROD | |
| 56 | | 2 | 5/16 IN 18 UNC JAM NUT | |
| 57 | | 2 | 5/16 IN 18 UNC LOCKNUT | |
| 58 | | 2 | 5/16 IN HARDENED WASHER | |
| 59 | | 2 | 5/16 IN 18 UNC STUD | |
| 60 | | | VALVE ARM CLAMP | |
| 61 | | | ADJUSTABLE VALVE ARM JOINT | |
| 62 | 0058708 | | TORQUE ROD ASSY,TRNSVRS,HEND COMR AIR, | <i>C1FE ONLY</i> |
| 62 | 0058707 | | TORQUE ROD ASSY,TRNSVRSE,HEND COMF | |
| 62 | 0058706 | | TORQUE ROD ASSY,TRNVRSE,HEND COMF AIR | |
| 62 | 0058710 | | TORQUE ROD ASSY,TRNSVRS,HEND RE W/10 IN | |
| 63 | 0058726 | AR | SHIM,TORQUE ROD,HEND COMF AIR | |
| 64 | 0025981 | | BRACKET, TRANSVERSE ROD, FRAME | |

Models: A3FE, BBCV, C1FE, C3FE, CSFE, TCFE
 AIR
 REAR
 HENDRICKSON, COMFORT AIR
 INSTALLATION
 With: FEATURE 40005-05, -06

| Key | PartNumber | Qty | Description | Comment |
|-----|------------|-----|-------------|---------|
|-----|------------|-----|-------------|---------|



Models: A3FE, BBCV, C1FE, C3FE, CSFE, TCFE
AIR REAR HENDRICKSON, COMFORT AIR INSTALLATION
With: FEATURE 40005-05, -06

| Key | PartNumber | Qty | Description | Comment |
|-----|------------|-----|---|--|
| | 0040018 | | KIT,CMP,FRM,SUSP,RR,HEND 48648-047, | CONSIST OF ITEMS 1-6 |
| | 0042296 | | KIT,CMP,FRM,SUSP,RR,HEND48648-045,RS19 | CONSIST OF ITEMS 1-6, ALL EXCEPT C1FE |
| 1 | 0058596 | 2 | HANGER,FRAME,HEND COMFORT AIR" | |
| 2 | 0058605 | | ASSY,BRACKET,UPPER SHOCK FRAME,COMFORT | |
| 3 | 0064169 | | LABEL,TORQUE REQUIREMENTS,HEND | |
| 4 | 0058726 | | SHIM,TORQUE ROD,HEND COMF AIR | |
| 5 | 0058708 | | TORQUE ROD ASSY,TRNSVRS,HEND COMR AIR, | |
| 5 | 0058707 | | TORQUE ROD ASSY,TRNSVRSE,HEND COMF | ALL EXCEPT C1FE |
| 6 | 0025981 | | BRACKET, TRANSVERSE ROD, FRAME | |
| 7 | 0063263 | | KIT,QUICK-ALIGN,HEND,COMFAIR | |
| | 0040024 | | KIT,CMP,R/AXL,HEND 48646-694,4.5DEG,RS15 | CONSIST OF ITEMS 8-19 |
| | 0040025 | | KIT,CMP,R/AXL,HEND 48646-697,RS19-23, FE | CONSIST OF ITEMS 8-19, ALL A3FE, CSFE & TCFE WITHOUT PINION ANGLE |
| | 0040026 | | KIT,CMP,R/AXL,HEND48646-698,4.5DEG, | CONSIST OF ITEMS 8-19, BBCV, CSFE & TCFE WITH 4.5" PINION ANGLE |
| | 0040028 | | KIT,CMP,R/AXL,HEND 48646-699,RS19-21, FE | CONSIST OF ITEMS 8-19, CSFE & TCFE FLAT FLOOR WITHOUT" PINION ANGLE |
| | 0040029 | | KIT,CMP,R/AXL,HEND48646-701,4.5DEG, | CONSIST OF ITEMS 8-19, BBCV, CSFE & TCFE FLAT FLOOR WITH 4.5" PINION ANGLE |
| | 0055035 | | KIT,CMP,R/AXL,HEND48646-737, RS21, 2 DEG, | CONSIST OF ITEMS 8-19, BBCV WITH 2" PINION ANGLE |
| | 0055761 | | KIT,CMP,R/AXL,HEND48646-739, RS21, 2 DEG, | CONSIST OF ITEMS 8-19, BBCV WITH 2" PINION ANGLE |
| 8 | 0058599 | | AIR SPRING ASSY,RE,COMFORT AIR,HEND" | |
| 8 | 0058600 | | AIR SPRING ASSY,FE,COMFORT AIR,HEND" | |
| 9 | 0058604 | | KIT, AIR SPRING FASTENER,COMFORT AIR, | |

Models: A3FE, BBCV, C1FE, C3FE, CSFE, TCFE
AIR REAR HENDRICKSON, COMFORT AIR INSTALLATION
With: FEATURE 40005-05, -06

| Key | PartNumber | Qty | Description | Comment |
|-----|------------|-----|--|-----------------------------------|
| 10 | | | CROSS CHANNEL | |
| 11 | | | CROSS CHANNEL FASTENER KIT | |
| 12 | 0058608 | | KIT,BRKT,LOWER CONTROL VALVE LINK,FE | |
| 13 | 0058603 | | ASSY,BRACKET,LOWER SHOCK,COMFORT AIR, | |
| 14 | 0060745 | 4 | SPRING SEAT, 2.00 DEGREE | |
| 14 | 0064387 | 4 | SEAT,SPRING,SPACER,1.5 IN,HEND,COMFAIR | |
| 14 | 0072560 | 4 | SEAT,SPRING,4.5 DEG,FLAT FLR,COMF AIR | 4.5" PINION ANGLE FLAT FLOOR ONLY |
| 14 | 0071743 | 4 | SEAT,SPRING,4.5 DEG,AIR,FE,LH,RH,COMF AIR" | |
| 15 | 0064386 | | SEAT,SPRING,O PINION ANGLE,LH/RH,HEND, | |
| 16 | | | AXLE BOTTOM CAP | |
| 17 | 0068268 | | LEAF,SUPPORT,MAIN,MEMBER,HENDRICKSON | |
| 18 | 0006579 | | PAD,TOP,HAS 56805000 | ALL EXCEPT C1FE |
| 19 | 0058693 | | KIT,U-BOLT 3/4X16,C1FE HEND COMF AIR | |
| 19 | 0058694 | | KIT,U-BOLT 7/8X16.25, CS/TC W/FLT FLR | |
| 19 | 0006562 | | KIT,U-BOLT HARDWARE 48718023 | ALL EXCEPT FLAT FLOOR |
| 20 | 0085991 | | SHOCK ABSORBER,AIR SUSP,REAR,HEND | |
| 21 | 0014860 | | VALVE ASSY,HT CONTROL,HENDRICKSON | |
| 22 | 0014951 | | LINK ASSY,LVLG VLV,HENDRICKSON 58994-009 | C1FE ONLY |
| 22 | 0014902 | | LINK ASSY,LVLG VLV,HENDRICKSON 58994-008 | ALL EXCEPT C1FE |
| 31 | 0026242 | | CROSSMEMBER ASSY,FRT,REAR SUSPN, | ALL FE EXCEPT BBCV |
| 31 | 0032213 | | CROSSMEMBER ASSY,FRT,RR SUSP | BBCV ONLY |
| 32 | 0032136 | | CROSSMEMBER ASSY,REAR,AIR SUSP | |
| 33 | 0026173 | 2 | INSERT,FRAME RAIL,REAR,HENDRICKSON,FE | |

Models: A3FE, BBCV, C1FE, C3FE, CSFE, TCFE
AIR REAR HENDRICKSON, COMFORT AIR INSTALLATION
With: FEATURE 40005-05, -06

| Key | PartNumber | Qty | Description | Comment |
|-----|------------|-----|--|---|
| 34 | 0014845 | 2 | ANGLE,REINFORCEMENT,FRAME RAIL, | |
| 36 | 0014522 | | BRACKET,MTG,LEVELING VALVE,FE | |
| 37 | 0010558 | 2 | PLATE,SPACER,AIR SPRING,-25 | FLAT FLOOR OPTION 30940 ONLY |
| 38 | 0097631 | 2 | ANGLE,TIE DOWN,FRONT,RR SUSP,HEND, HDFE | ALL EXCEPT BBCV & FE WITH 31063-01 |
| 39 | 1107895 | 12 | CAPSCREW,HEX HD,5/8-11 X 2,GR8,YEL ZN | |
| 40 | 1022805 | 4 | CAPSCREW,HEX HD,5/8-11 X 5,GR 8,YEL ZN | |
| 41 | 0939827 | 12 | NUT,HEX HD,5/8-11,GR 8,LOCK,CADMIUM WAX | |
| 42 | 0929018 | 24 | WASHER,FLAT,21/32 X 1 1/8 X 3/32,HDN,YEL | |
| 43 | 0985549 | 2 | NUT,HEX HD,3/4-16,NYLON LOCK,YEL ZN DICH | |
| 46 | 0008068 | 16 | CAPSCREW,HEX HD,3/4-10X3,GR8,YELZNDICH | |
| 47 | 0870915 | 32 | WASHER,FLAT,27/32 X 1 1/2 X 1/8,YEL ZN | |
| 48 | 0933879 | 16 | NUT,HEX HD,3/4-10,PRVLG TORQ,GR8,CAD | |
| 49 | 0850800 | 2 | NUT,HEX HD,1/2-13,LOCKING,GR 8,CAD WAX | |
| 50 | 1631068 | 2 | CAPSCREW,HX HD,5/8-11 X 4 1/2,GR8, | |
| 51 | 0803148 | 10 | CAPSCREW,HEX HD,1/2-13 X 1 3/4,GR8, | |
| 52 | 1003045 | 20 | WASHER,FLAT,17/32 X 1 1/16 X 7/64,HDN, | |
| 53 | 0989145 | 2 | CAPSCREW,HEX HD,5/16-18, X, 1, ,GR5, | |
| 54 | 0829390 | 2 | NUT,HEX HD,5/16-18,SER WASHER,YEL ZN | |
| 55 | 0868992 | 2 | WASHER,FLAT,5/16,YEL ZN DICH | |
| 56 | 0067449 | 2 | ANGLE,TIE DOWN,FRONT,REAR AIR SUSP, BBCV | BBCV WITHOUT 30940-01 FLAT FLOOR & FE WITH 31063-01 |
| 57 | 1483544 | 2 | ANGLE,TIE DOWN,BODY,W/MID-MOUNT TANK, | BBCV, BBCV WITHOUT 30940-01 FLAT FLOOR & FE WITH 31063-01 |
| 58 | 0803163 | 2 | CAPSCREW,HEX HD,1/2-13 X2 1/2,GR8, | |

Models: A3FE, BBCV, C1FE, C3FE, CSFE, TCFE
AIR
REAR
HENDRICKSON, COMFORT AIR
INSTALLATION
With: FEATURE 40005-05, -06


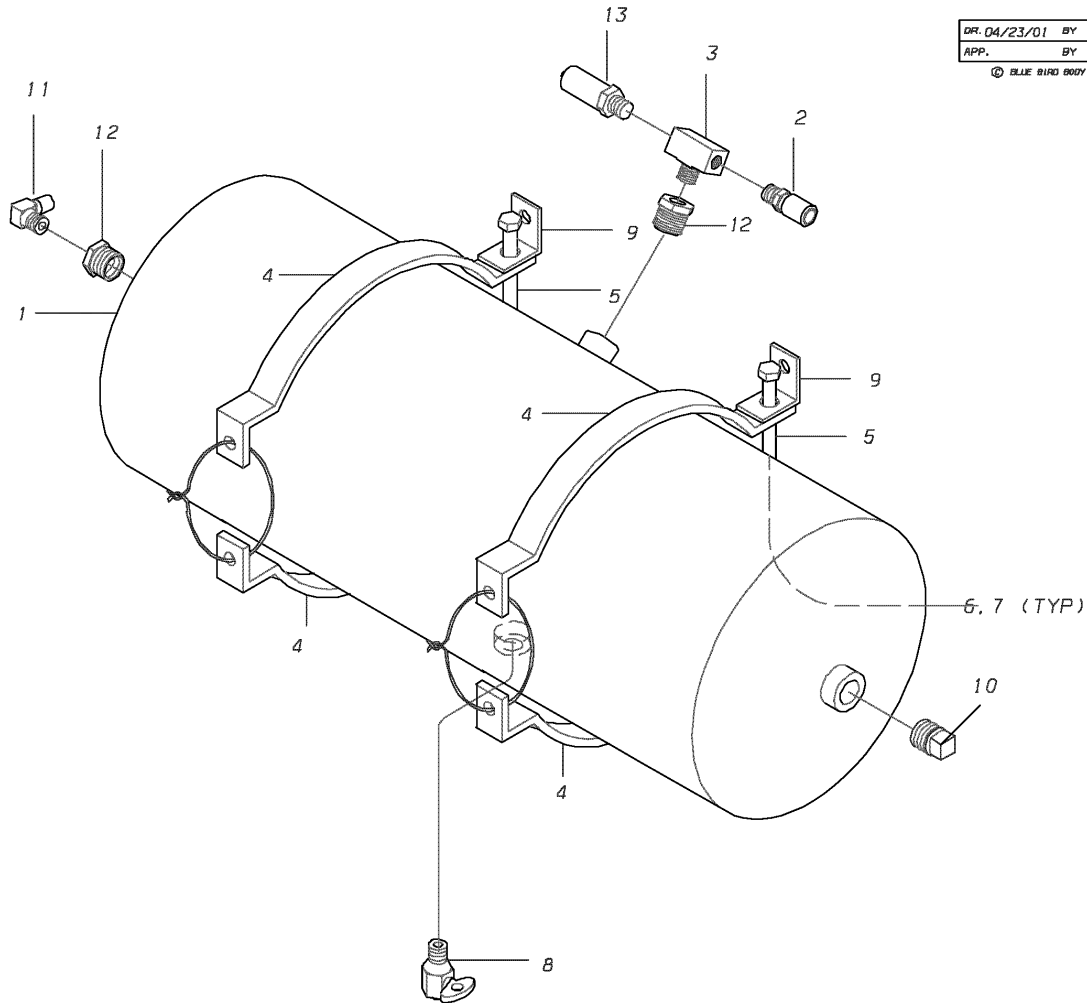
| Key | PartNumber | Qty | Description | Comment |
|-----|------------|-----|--|---------|
| 59 | 0020239 | 4 | WASHER,FLAT,21/32 X 1 3/4 X 7/32 HD YEL ZN | |

Models: A3FE, BBCV, C1FE, C3FE, CSFE, TCFE
 AIR
 RESERVOIR ASSEMBLIES
 1240 CU IN.

| Key | PartNumber | Qty | Description | Comment |
|-----|------------|-----|-------------|---------|
|-----|------------|-----|-------------|---------|

| | | | | |
|--------------|-------|-----|---------|-------|
| DR. 04/23/01 | BY TM | | | |
| APP. | BY | FRT | 1738954 | F REV |

© BLUE BIRD BODY COMPANY. ALL RIGHTS RESERVED

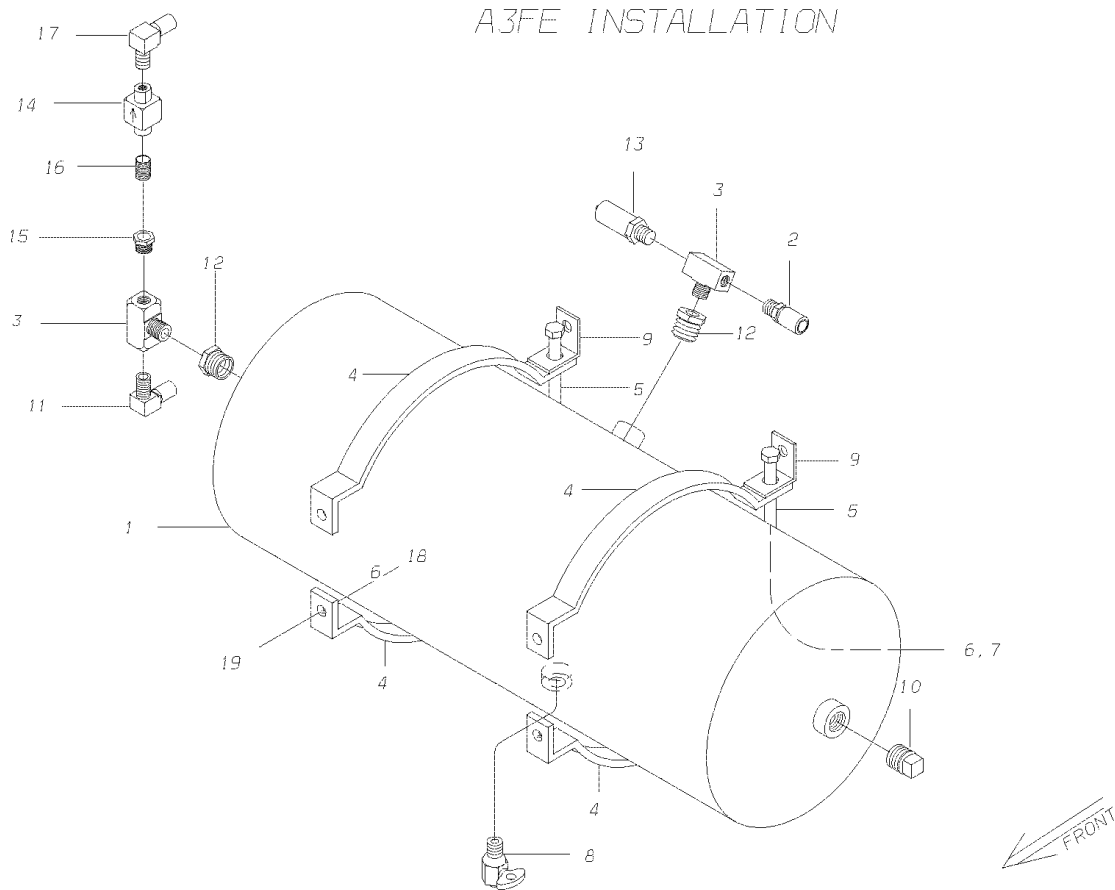



**Models: A3FE, BBCV, C1FE, C3FE, CSFE, TCFC
AIR
RESERVOIR ASSEMBLIES
1240 CU IN.**

| Key | PartNumber | Qty | Description | Comment |
|-----|------------|-----|--|---------|
| 1 | 0754929 | | RESERVOIR,AIR,1240 CU.IN. | |
| 2 | 0009924 | | CONNECTOR,MALE,1868X6-Z,.25MPT X .38T" | |
| 3 | 0559047 | | TEE,MALE,BRANCH,1/4 PIPE,3600X4 | |
| 4 | 1583608 | 4 | BRACKET,MTG,RESERVOIR,1240 CU.IN. | |
| 5 | 0851337 | 2 | CAPSCREW,HEX HD,3/8-16X6 1/2,GR5,YEL | |
| 6 | 1107085 | 2 | WASHER,FLAT,13/32 X 13/16 X 3/32,HDN,BLK | |
| 7 | 0826297 | 2 | NUT,HEX HD,3/8-16 LOCK,YEL ZN DICH | |
| 8 | 1110188 | | VALVE,RESERVOIR,DRAIN | |
| 9 | 1341304 | 2 | ANGLE,MTG,CLAMP,TCFC | |
| 10 | 0663427 | | PLUG,PIPE,1/2 SQ HD,3151 X 8Z,BRASS | |
| 11 | 0009912 | | ELBOW,90 DEG,MALE1869X4X4-Z,.25MPT | |
| 12 | 2027159 | 2 | BUSHING,PIPE,1/2 X 1/4,BRASS | |
| 13 | 0839019 | | VALVE,SAFETY,1/4IN PIPE,BW NO284142 | |

Models: A3FE, C1FE, C3FE, CSFE, TCFE
 AIR
 RESERVOIR ASSEMBLIES
 1240 CU. IN. FRONT AND REAR

| Key | PartNumber | Qty | Description | Comment |
|-----|------------|-----|-------------|---------|
|-----|------------|-----|-------------|---------|



**Models: A3FE, C1FE, C3FE, CSFE, TCFE
AIR
RESERVOIR ASSEMBLIES
1240 CU. IN. FRONT AND REAR**


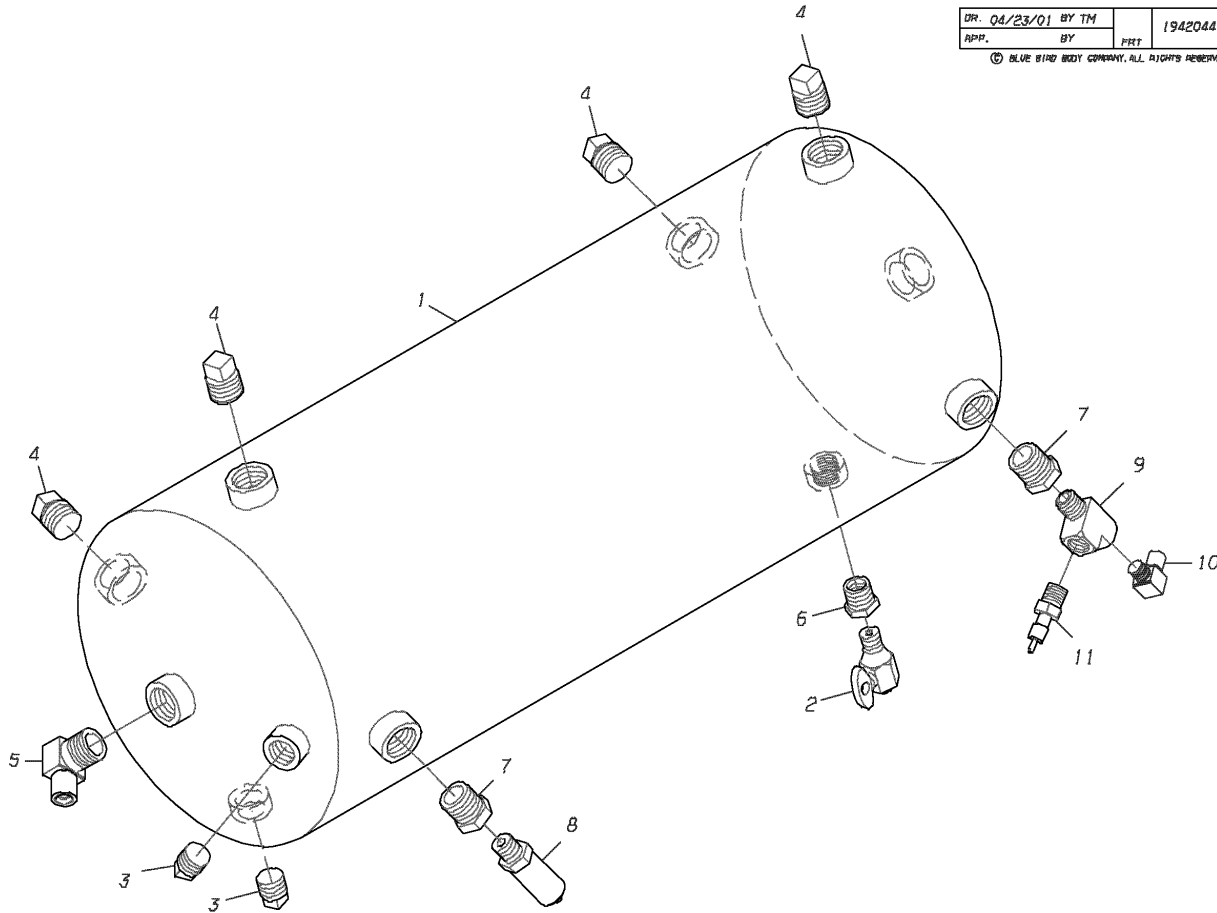
| Key | PartNumber | Qty | Description | Comment |
|-----|------------|-----|--|---------|
| 1 | 0754929 | | RESERVOIR,AIR,1240 CU.IN. | |
| 2 | 0009924 | | CONNECTOR,MALE,1868X6-Z,.25MPT X .38T" | |
| 3 | 0559047 | 2 | TEE,MALE,BRANCH,1/4 PIPE,3600X4 | |
| 4 | 1583608 | 4 | BRACKET,MTG,RESERVOIR,1240 CU.IN. | |
| 5 | 0851337 | 2 | CAPSCREW,HEX HD,3/8-16X6 1/2,GR5,YEL | |
| 6 | 1107085 | 2 | WASHER,FLAT,13/32 X 13/16 X 3/32,HDN,BLK | |
| 7 | 0826297 | 2 | NUT,HEX HD,3/8-16 LOCK,YEL ZN DICH | |
| 8 | 1110188 | | VALVE,RESERVOIR,DRAIN | |
| 9 | 1341304 | 2 | ANGLE,MTG,CLAMP,TCFC | |
| 10 | 0663427 | | PLUG,PIPE,1/2 SQ HD,3151 X 8Z,BRASS | |
| 11 | 0009912 | | ELBOW,90 DEG,MALE1869X4X4-Z,.25MPT | |
| 12 | 2027159 | 2 | BUSHING,PIPE,1/2 X 1/4,BRASS | |
| 13 | 0839019 | | VALVE,SAFETY,1/4IN PIPE,BW NO284142 | |
| 14 | 1164870 | | VALVE,CHECK,1/8 PIPE,HUMPHREY C-125 | |
| 15 | 2008050 | | BUSHING,PIPE,1/8 TO 1/4,BRASS | |
| 16 | 2051381 | | NIPPLE,BRASS,1/8 CLOSE 3326 X 2 | |
| 17 | 0009903 | | ELBOW,90 DEG,MALE1869X4-Z,.13MPT X .25T | |
| NI | 0803213 | | CAPSCREW,HEX HD,3/8-16X1 1/4,GR8,YEL | |
| NI | 0839027 | | NUT,HEX HD,3/8-16,GR G,SM FLG LK,YEL | |

Models: A3FE, C1FE, C3FE, CSFE, TCFE
 AIR
 RESERVOIR ASSEMBLIES
 1650 CU. IN.

| Key | PartNumber | Qty | Description | Comment |
|-----|------------|-----|-------------|---------|
|-----|------------|-----|-------------|---------|

| | | | |
|--------------|--------|---------|------|
| DR: 04/23/01 | BY: TM | 1942044 | B |
| APP: | BY: | PRT: | REV: |

© BLUE BIRD BODY COMPANY, ALL RIGHTS RESERVED

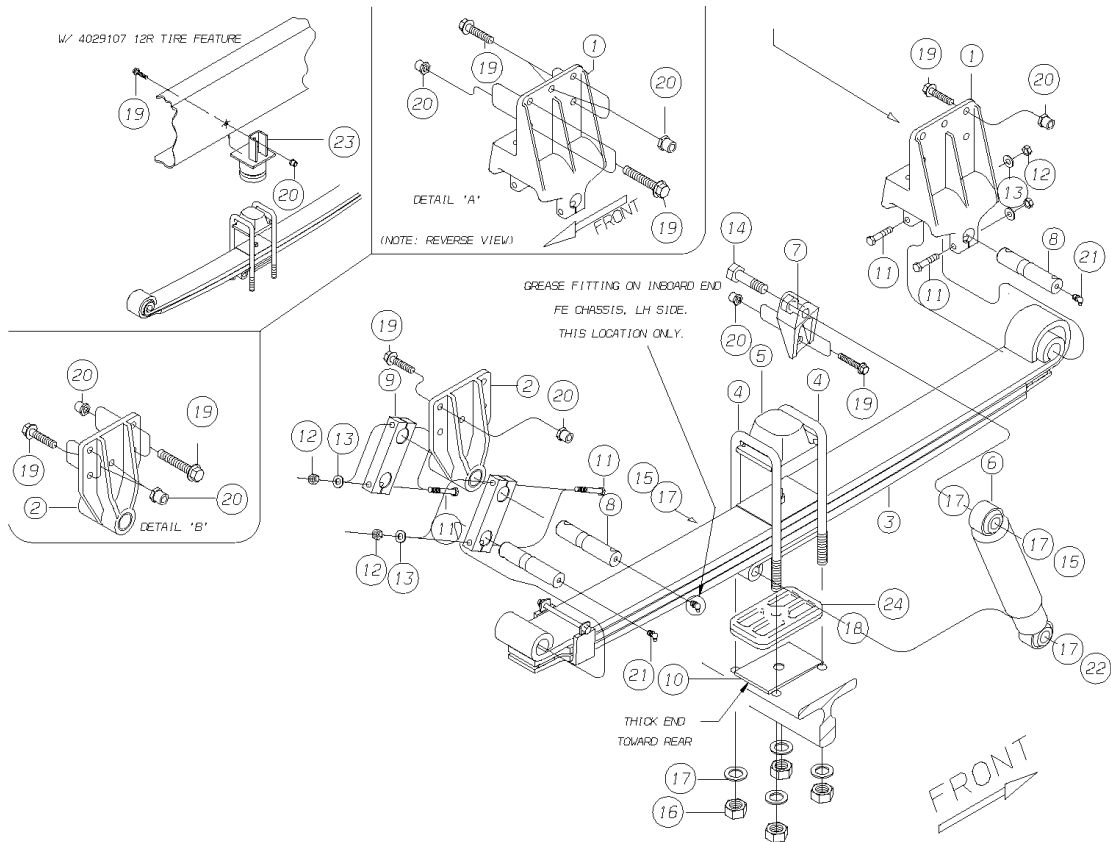



Models: A3FE, C1FE, C3FE, CSFE, TCFE
**AIR
 RESERVOIR ASSEMBLIES
 1650 CU. IN.**

| Key | PartNumber | Qty | Description | Comment |
|-----|------------|-----|--|---------|
| 1 | 1586445 | | RESERVOIR,1650 CU.IN. | |
| 2 | 1110188 | | VALVE,RESERVOIR,DRAIN | |
| 3 | 3772159 | 2 | PLUG,PIPE,0.375,BRASS W/SEALANT,HEX HD | |
| 4 | 0663427 | 4 | PLUG,PIPE,1/2 SQ HD,3151 X 8Z,BRASS | |
| 5 | 0009909 | | ELBOW,90 DEG,MALE1869X6X8-Z,.50MPT | |
| 6 | 2027134 | | BUSHING,PIPE,3/8 X 1/4,BRASS | |
| 7 | 2027159 | 2 | BUSHING,PIPE,1/2 X 1/4,BRASS | |
| 8 | 0839019 | | VALVE,SAFETY,1/4IN PIPE,BW NO284142 | |
| 9 | 0654277 | | TEE,STREET,1/4 PIPE,3750X4 | |
| 10 | 0009912 | | ELBOW,90 DEG,MALE1869X4X4-Z,.25MPT | |
| 11 | 0818609 | | VALVE,SCHRADER,1/4 MPT | |

Models: **A3FE, A3RE, C3FE**
SPRING
FRONT
 With: **FEATURE 40004-02**

| Key | PartNumber | Qty | Description | Comment |
|-----|------------|-----|-------------|---------|
|-----|------------|-----|-------------|---------|



Models: A3FE, A3RE, C3FE
SPRING
FRONT
With: FEATURE 40004-02

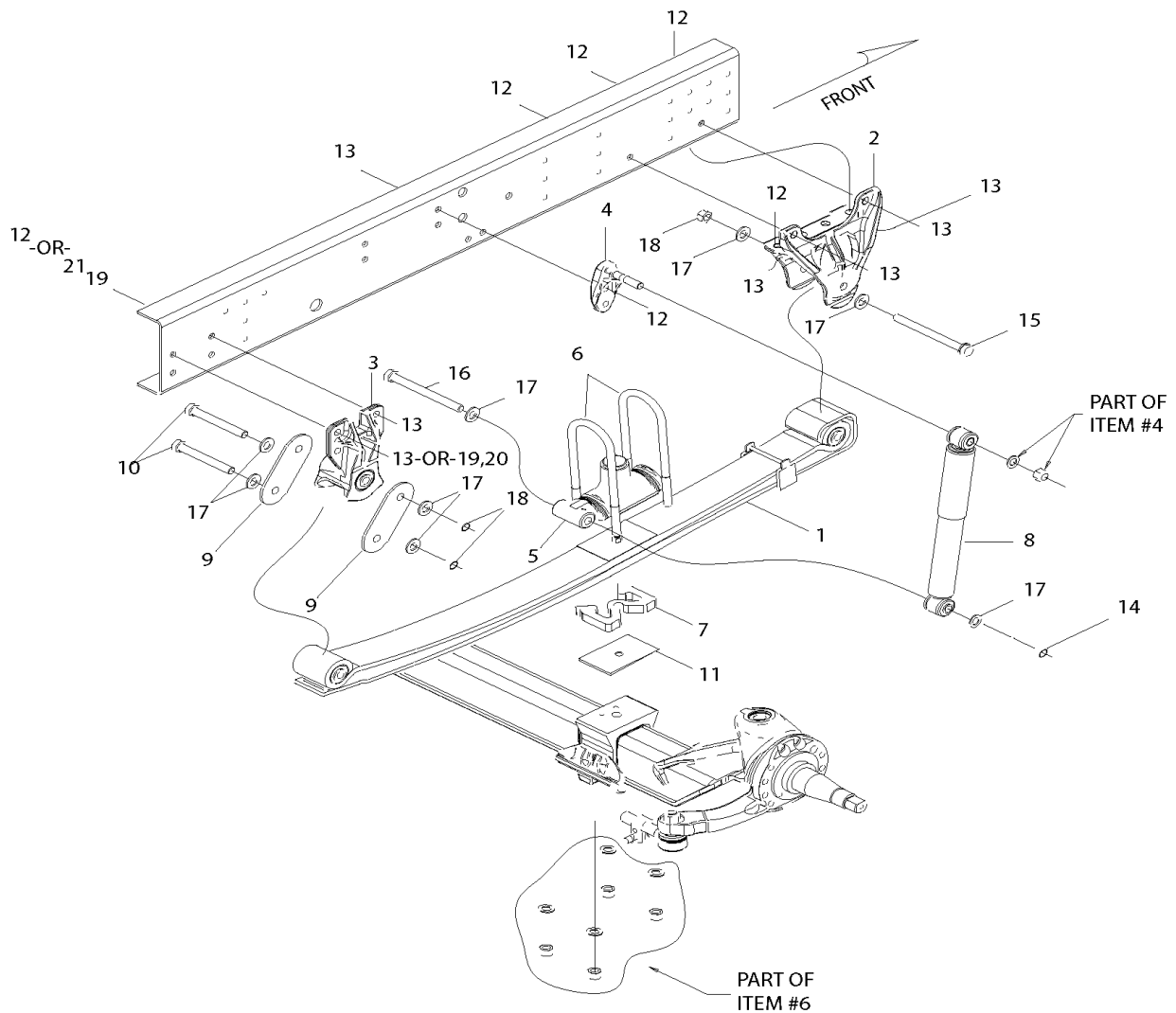
| Key | PartNumber | Qty | Description | Comment |
|-----|------------|-----|---|---|
| 1 | 0008605 | 2 | BRACKET,SPRING HANGER,FRONT,PARABOLIC | |
| 2 | 1662410 | | BRACKET ASSY,SHACKLE,FRT AXLE,PARAB SPR | |
| 3 | 0083576 | 2 | SPRING,FRT,PARAB,4X56,3 LF,2005 | WITH FEATURE 4000402 |
| | 0085209 | | PAD,TIP INSERT,SPRING,FRONT, HDFEHDRE | FRONT SERVICE ONLY |
| | 0085211 | | SLEEVE,SPRING CLIP,SPRING FRONT, | FRONT SERVICE ONLY |
| 3 | 0083577 | 2 | SPRING,FRT,PARAB,4X56,2 LF,2005 | FEATURE 4000401 |
| | 0085209 | | PAD,TIP INSERT,SPRING,FRONT, HDFEHDRE | FRONT SERVICE ONLY |
| | 0085211 | | SLEEVE,SPRING CLIP,SPRING FRONT, | FRONT SERVICE ONLY |
| 4 | 1847458 | 4 | U-BOLT,3/4-16X7.0 W/4 IN FRONT SPRING | WITHOUT 4001101 SPACER OR FLAT FLOOR FEATURE |
| 4 | 1746338 | 4 | U-BOLT,3/4-16X9,W/4 IN FRONT SPRING | WITH 4001101 AXLE SPACER FEATURE |
| 4 | 1920396 | 4 | U-BOLT,3/4-16X11.0,W/4 IN FRONT SPRING | WITH 3094001 FLAT FLOOR FEATURE |
| 5 | 0045825 | 2 | DIAGRAM,LOCATION,DECAL,SED,35 | |
| 6 | 1658525 | 2 | SHOCK ABSORBER,FRONT,PARABOLIC SPRING | |
| 7 | 0043465 | 2 | BRACKET,MOUNTING,SHOCK TO FRAME,FRONT | |
| 8 | 0051758 | 6 | PIN,SPRING,PARABOLIC SUSPENSION,FRONT,4 | |
| 9 | 1661966 | 4 | SHACKLE,PARABOLIC SUSPENSION,FRONT | |
| 10 | 1731678 | 2 | WEDGE,CASTER,1 DEGREE | |
| 11 | 1362094 | 12 | CAPSCREW,HEX HD,7/16-14X3 1/4,GR8, | |
| 12 | 0997080 | 12 | NUT,HEX HD,7/16-14,LOCKING,GR 8,CADMIUM | |
| 13 | 0997072 | 12 | WASHER,FLAT,15/32 X 15/16 X 5/64,HDN, | |
| 14 | 1317783 | 2 | CAPSCREW,HEX HD,3/4-10 X 5,GR 8,YEL ZN | |
| 15 | 0933879 | 4 | NUT,HEX HD,3/4-10,PRVLG TORQ,GR8,CAD | |

Models: A3FE, A3RE, C3FE
SPRING
FRONT
With: FEATURE 40004-02

| Key | PartNumber | Qty | Description | Comment |
|-----|------------|-----|--|---|
| 17 | 0607036 | 16 | WASHER,FLAT,13/16 X 1 3/8 X 7/64 ZP,HRD | |
| 18 | 1660083 | 2 | SPACER,25/32 ID X 1-1/2 OD X 3/4 THK,STEEL | |
| 19 | | | HUCK SPIN | |
| 20 | | | HUCK SPIN | |
| 21 | 2027472 | 6 | FITTING,GREASE,5400,1/8 MPT,90 DEG | |
| 22 | 1700749 | 2 | CAPSCREW,HEX HD,3/4-10 X 8,GR 8,YEL ZN | |
| 23 | 1843788 | 2 | SNUBBER ASSEMBLY,SUSPENSION,FRONT | <i>WITH 4029107 12 R TIRE FEATURE</i> |
| 24 | 0081574 | AR | SPACER,SUSP,4 IN WIDE X 1 IN TK,CAST | |

Models: A3FE, A3RE, C3FE
SPRING
FRONT
HENDRICKSON SOFTEK, INSTALLATION
HENDRICKSON AXLE
With: FEATURE 40004-12, -13, -14

| Key | PartNumber | Qty | Description | Comment |
|-----|------------|-----|-------------|---------|
|-----|------------|-----|-------------|---------|



Models: A3FE, A3RE, C3FE
**SPRING
 FRONT
 HENDRICKSON SOFTEK, INSTALLATION
 HENDRICKSON AXLE**
With: FEATURE 40004-12, -13, -14

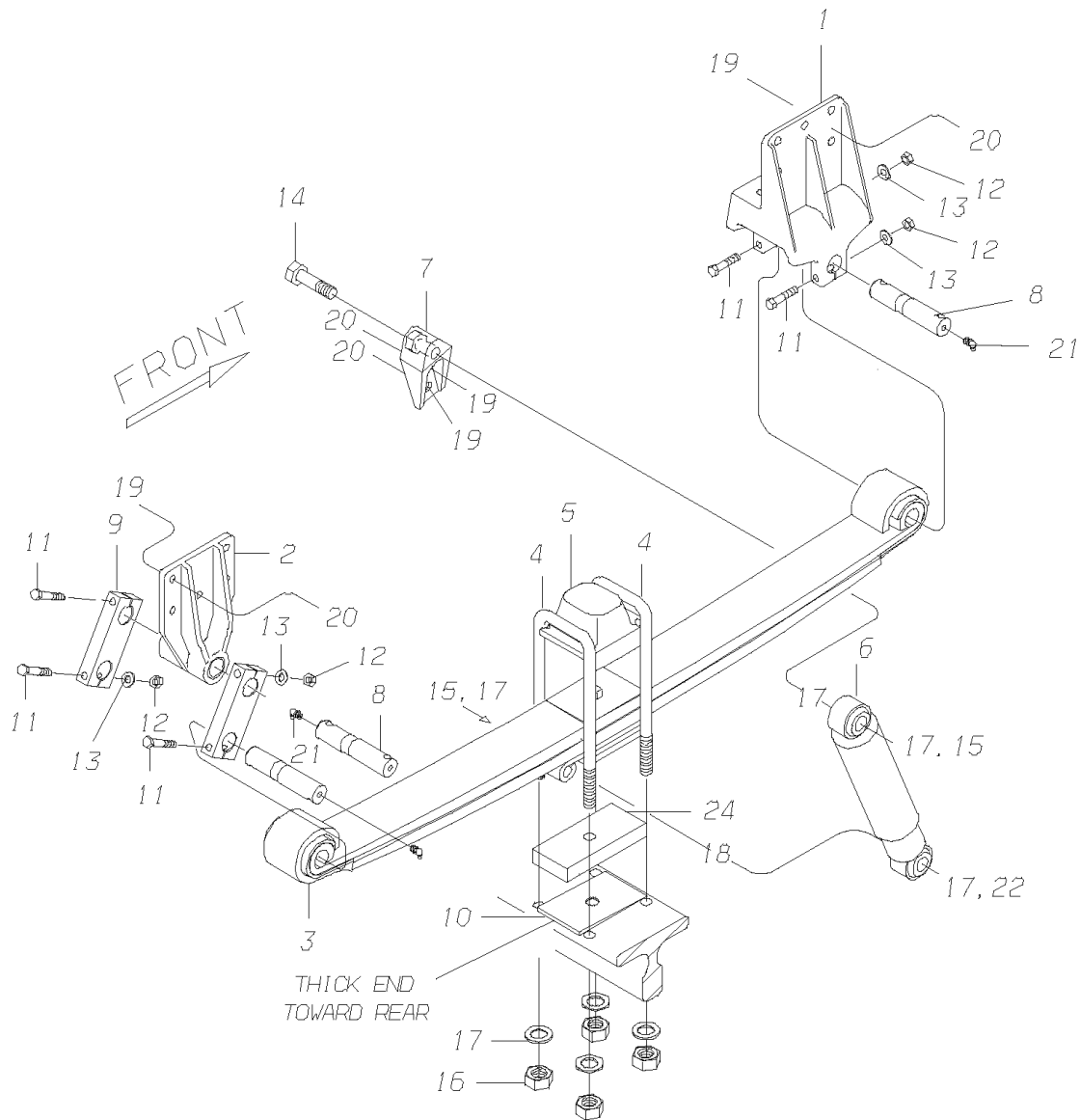
| Key | PartNumber | Qty | Description | Comment |
|-----|------------|-----|--|----------------------------|
| 1 | 0106296 | 2 | SPRING ASSY,FRT,PARAB,2LF,13.2K | <i>Feature 40004-12</i> |
| | 0106295 | 2 | SPRING ASSY,FRT,PARAB,2LF,14.6K | <i>Feature 40004-13</i> |
| 2 | 0112694 | 2 | HANGER,SUSP,FRONT,FRAME | |
| 3 | 0106297 | 2 | BRACKET,SHACKLE,SUSP,FRONT | |
| 4 | 0107809 | 2 | BRACKET,SHOCK,UPPER,FRONT | |
| 5 | 0106307 | 2 | STOP ASSY,AXLE,SPRG SUSP,FRONT | |
| 6 | 0108265 | | KIT,U-BOLT,SUSP,FRONT,SPRING,10MM SPCR | <i>W/O 40011-01, or-02</i> |
| | 0107924 | | KIT,U-BOLT,SUSP,FRONT,SPRING,35MM SPCR | <i>With 40011-01</i> |
| | 0108266 | | KIT,U-BOLT,SUSP,FRONT,SPRING,60MM SPCR | <i>With 40072-01</i> |
| | 0107925 | | KIT,U-BOLT,SUSP,FRONT,SPRING,85MM SPCR | <i>With 30940-01</i> |
| 7 | 0055007 | | SPACER,SUSP,FRONT,10MM | <i>RE LH W/O 4011-01</i> |
| | 0107806 | | SPACER,SUSP,FRONT,25MM | <i>RH W/40011-01</i> |
| | 0107807 | | SPACER,SUSP,FRONT,35MM | <i>LH W/40011-01</i> |
| | 0060514 | | SPACER,SUSP,FRONT,50MM | <i>RH W/40072-01</i> |
| | 0060515 | | SPACER,SUSP,FRONT,60MM | <i>LH W/40072-01</i> |
| | 0107861 | | SPACER,SUSP,FRONT,75MM | <i>RH W/30940-01</i> |
| | 0107862 | | SPACER,SUSP,FRONT,85MM | <i>LH W/30940-01</i> |
| 8 | 0106303 | 2 | SHOCK ABSORBER,FRONT,SPRG SUSP | |
| 9 | 0107811 | 4 | PLATE,SHACKLE,SUSP,FRONT | |
| 10 | 0109147 | 4 | CAPSCREW,HEX HD,M20-2.50X150,GR10.9, | |
| 11 | 1731678 | | WEDGE,CASTER,1 DEGREE | |
| 12 | 0054994 | | PIN,FLG HEAD,HUCKSPIN,.62 X 2.238 | |
| 13 | 0054997 | | COLLAR,HUCKSPIN,.62,HSCF-R20 | |

Models: A3FE, A3RE, C3FE
SPRING
FRONT
HENDRICKSON SOFTEK, INSTALLATION
HENDRICKSON AXLE
With: FEATURE 40004-12, -13, -14

| Key | PartNumber | Qty | Description | Comment |
|-----|------------|-----|--|------------------|
| 14 | 0933879 | 4 | NUT,HEX HD,3/4-10,PRVLG TORQ,GR8,CAD | |
| 15 | 0054950 | 2 | CAPSCREW,HEX HD,M20-2.50X170,GR10.9, | |
| 16 | 1700749 | 2 | CAPSCREW,HEX HD,3/4-10 X 8,GR 8,YEL ZN | |
| 17 | 0607036 | 18 | WASHER,FLAT,13/16 X 1 3/8 X 7/64 ZP,HRD | |
| 18 | 0054951 | 6 | NUT,HEX HD,M20-2.50,GR10.9,LOCK,OLIVZN | |
| 19 | 0929018 | 8 | WASHER,FLAT,21/32 X 1 1/8 X 3/32,HDN,YEL | A3RE WITH DIESEL |
| 20 | 0939827 | 4 | NUT,HEX HD,5/8-11,GR 8,LOCK,CADMIUM WAX | A3RE WITH DIESEL |
| 21 | 1107895 | 4 | CAPSCREW,HEX HD,5/8-11 X 2,GR8,YEL ZN | A3RE WITH DIESEL |
| 22 | 1021815 | 2 | CAPSCREW,HEX HD,3/4-10 X4 1/2,GR8, | |
| 23 | 0055004 | 2 | SPACER,SHOCK,SUSP,FRONT, BBCV | |
| 24 | 0054995 | | PIN,FLG HEAD,HUCKSPIN,.62 X 2.755 | |

Models: A3FE, A3RE, C1FE, C3FE, CSFE, CSRE, QBRE, TCFE, TSFE
SPRING
FRONT
PARABOLIC
BSN: From CSN 10094705 30094685
 To CSN 05/02/05

| Key | PartNumber | Qty | Description | Comment |
|-----|------------|-----|-------------|---------|
|-----|------------|-----|-------------|---------|



Models: A3FE, A3RE, C1FE, C3FE, CSFE, CSRE, QBRE, TCFE, TSFE
**SPRING
 FRONT
 PARABOLIC**
BSN: From CSN 10094705 30094685
 To CSN 05/02/05

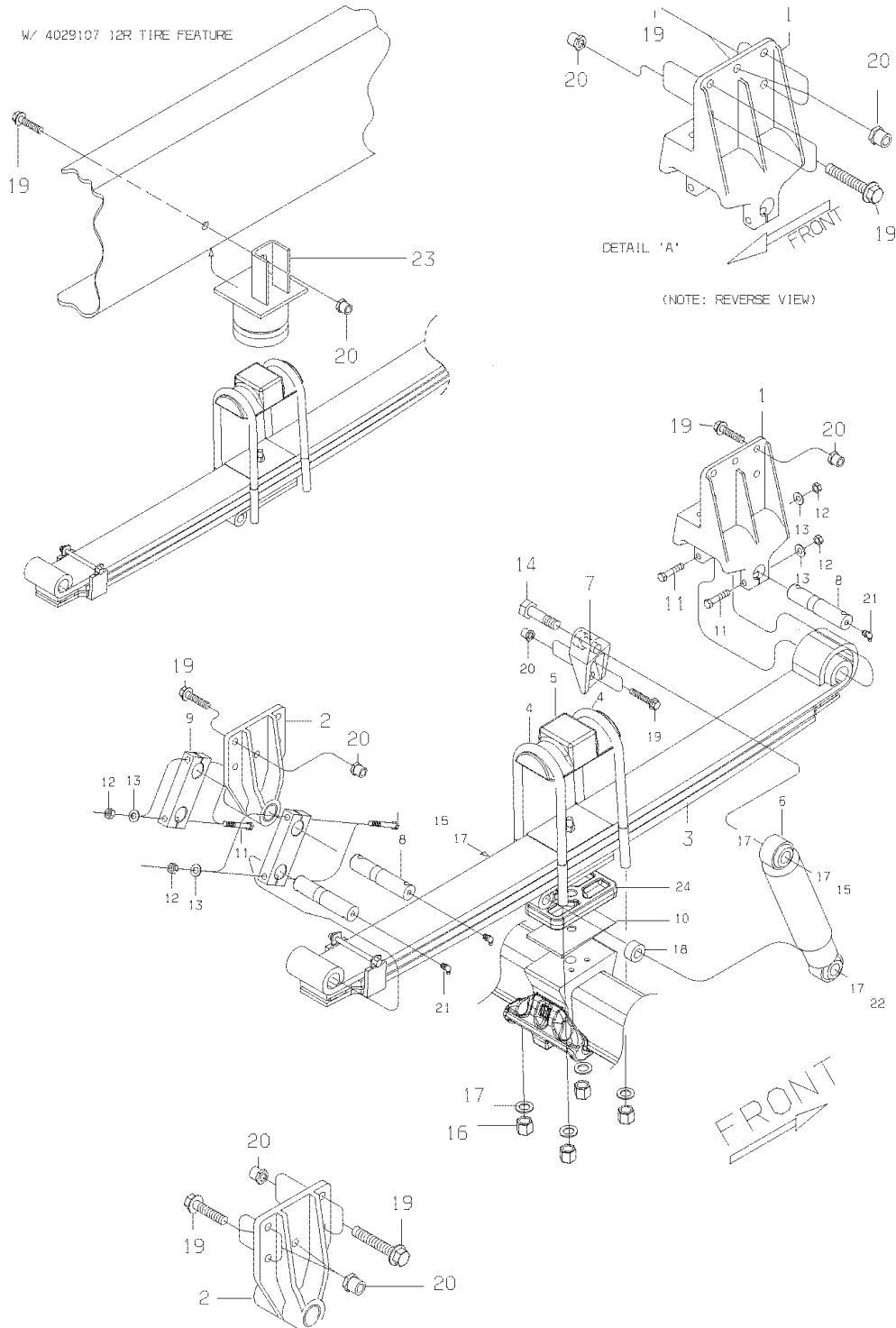
| Key | PartNumber | Qty | Description | Comment |
|-----|------------|-----|---|--|
| 1 | 0008605 | 2 | BRACKET,SPRING HANGER,FRONT,PARABOLIC | |
| 2 | 1662410 | 2 | BRACKET ASSY,SHACKLE,FRT AXLE,PARAB SPR | |
| 3 | 0020453 | 2 | SPRING,FRT,PARAB,4X56,2 LF | TCFE/CSFE/HDFE/HDRE WITH STANDARD OR FEATURE 4000401 |
| 3 | 0027639 | 2 | SPRING,FRT,PARAB,4X56,2 LF | CSRE/QBRE WITH STANDARD SPRING |
| 3 | 0020831 | 2 | SPRING,FRT,PARAB,4X56,3 LF | TCFE/CSFE/CSRE/QBRE/HDRE WITH 4531 OR 4000402 |
| | 1209246 | | BUSHING,SHACKLE,B-1853-B,AARE | |
| 3 | 0027666 | 2 | SPRING,FRT,FLAT,4X56,8 LF | TCFE/CSFE/HDFE/HDRE W/4528 OR 4000403 FLAT LEAF SPRING |
| 3A | 0035994 | 2 | SPRING ASSY,2 LF,DUAL SHK,FRT SUSP | WITH STANDARD OR 4000401 SPRING & 4533 OR 4000901 DUAL SHOCK |
| 3A | 0035995 | 2 | SPRING ASSY,2 LF,DUAL SHK,FRT SUSP | 2LF CSRE/QBRE WITH STANDARD SPRING & 453300 DUAL SHOCK |
| 3A | 0035996 | 2 | SPRING ASSY,3 LF,DUAL SHK,FRT SUSP | TCFE/CSFE/QBRE/C1FE/HDFE/HDRE W/4531 OR 4000402 HD SPRING & 4530 OR 4000901 DUAL SHOCK |
| 3A | 0035997 | 2 | SPRING ASSY,FLAT LF,DUAL SHK,FRT SUSP | TCFE/CSFE/HDFE/HDRE W/452800 OR 4000403 FLAT SPRING & 0453300 OR 4000901 DUAL SHOCK |
| NI | 0070390 | | INSERT,SPRING,LEAF,HENDRICKSON, | |
| 4 | 1847458 | 4 | U-BOLT,3/4-16X7.0 W/4 IN FRONT SPRING | |
| 4 | 1746338 | 4 | U-BOLT,3/4-16X9,W/4 IN FRONT SPRING | |
| 4 | 1864669 | 4 | U-BOLT,3/4-16X10.0,W/4 IN FRONT SPRING | |
| 4 | 1920396 | 4 | U-BOLT,3/4-16X11.0,W/4 IN FRONT SPRING | |
| 5 | 0045826 | 2 | PAD,AXLE,FRONT,SPRING SUSP,2.32 HIGH | |
| 6 | 1658525 | AR | SHOCK ABSORBER,FRONT,PARABOLIC SPRING | |
| 7 | 0043465 | AR | BRACKET,MOUNTING,SHOCK TO FRAME,FRONT | |

Models: A3FE, A3RE, C1FE, C3FE, CSFE, CSRE, QBRE, TCFE, TSFE
SPRING
FRONT
PARABOLIC
BSN: From CSN 10094705 30094685
 To CSN 05/02/05

| Key | PartNumber | Qty | Description | Comment |
|-----|------------|-----|--|----------------------------------|
| 8 | 0051758 | 6 | PIN,SPRING,PARABOLIC SUSPENSION,FRONT,4 | |
| 9 | 1661966 | 4 | SHACKLE,PARABOLIC SUSPENSION,FRONT | |
| 10 | 1731678 | 2 | WEDGE,CASTER,1 DEGREE | |
| 11 | 1362094 | 12 | CAPSCREW,HEX HD,7/16-14X3 1/4,GR8, | |
| 12 | 0997080 | 12 | NUT,HEX HD,7/16-14,LOCKING,GR 8,CADMIUM | |
| 13 | 0997072 | 12 | WASHER,FLAT,15/32 X 15/16 X 5/64,HDN, | |
| 14 | 1317783 | AR | CAPSCREW,HEX HD,3/4-10 X 5,GR 8,YEL ZN | |
| 15 | 0933879 | AR | NUT,HEX HD,3/4-10,PRVLG TORQ,GR8,CAD | |
| 16 | 0817965 | 8 | NUT,HEX HD,3/4-16,YEL ZN DICH | |
| 17 | 0607036 | AR | WASHER,FLAT,13/16 X 1 3/8 X 7/64 ZP,HRD | |
| 18 | 1660083 | | SPACER,25/32 ID X 1-1/2 OD X 3/4 THK,STEEL | |
| 21 | 2027472 | 6 | FITTING,GREASE,5400,1/8 MPT,90 DEG | |
| 22 | 1700749 | AR | CAPSCREW,HEX HD,3/4-10 X 8,GR 8,YEL ZN | |
| NA | 1843788 | AR | SNUBBER ASSEMBLY,SUSPENSION,FRONT | A3FE, C1FE, OR TCFE W/FLAT FLOOR |
| 24 | 0081574 | AR | SPACER,SUSP,4 IN WIDE X 1 IN TK,CAST | |

Models: **A3FE, A3RE, C3FE**
SPRING
FRONT
PARABOLIC
HENDRICKSON AXLE
To 11/5/06

| Key | PartNumber | Qty | Description | Comment |
|-----|------------|-----|-------------|---------|
|-----|------------|-----|-------------|---------|



Models: A3FE, A3RE, C3FE
SPRING
FRONT
PARABOLIC
HENDRICKSON AXLE
To 11/5/06

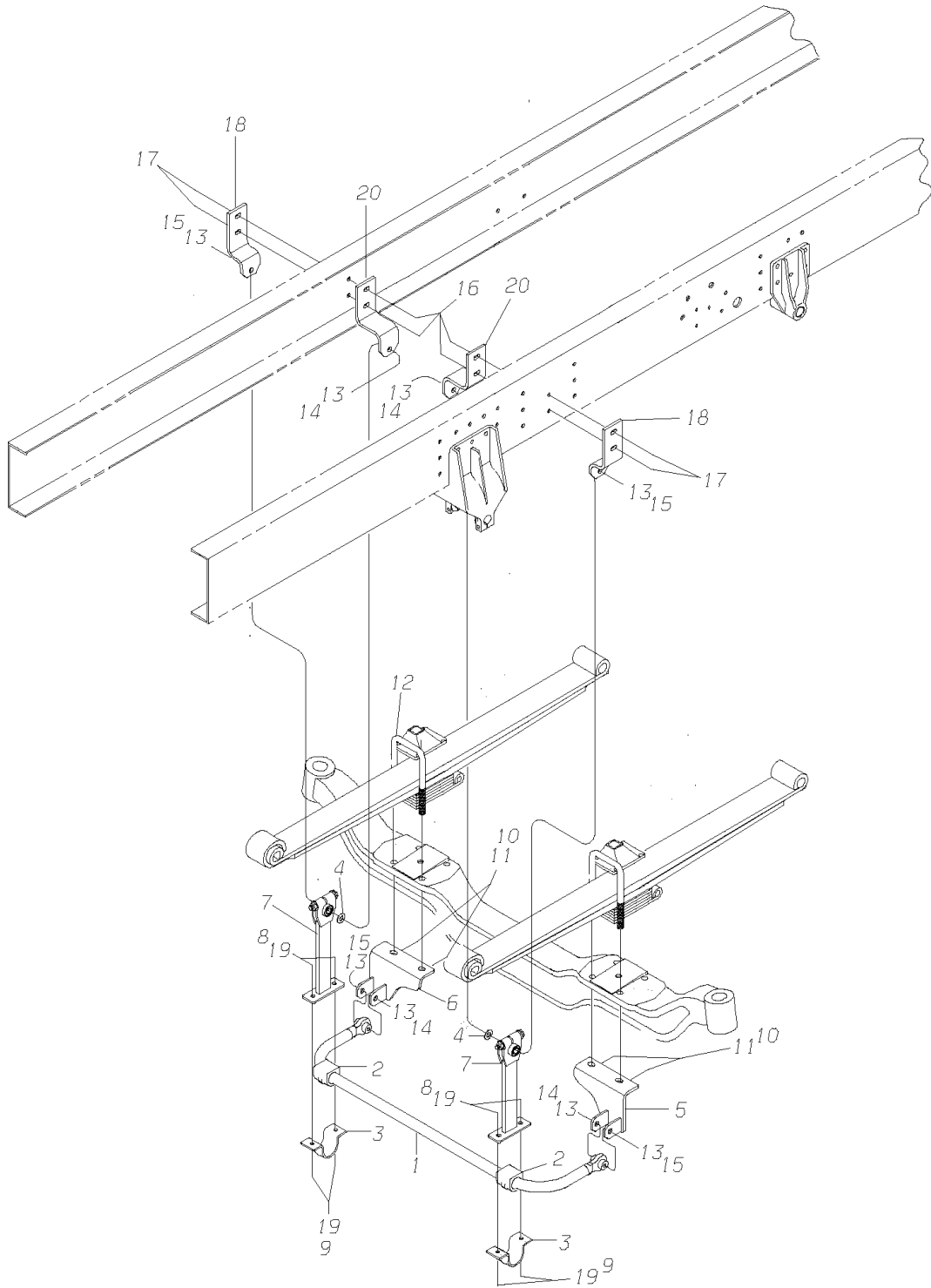
| Key | PartNumber | Qty | Description | Comment |
|-----|------------|-----|---|--|
| 1 | 0008605 | 2 | BRACKET,SPRING HANGER,FRONT,PARABOLIC | |
| 2 | 1662410 | 2 | BRACKET ASSY,SHACKLE,FRT AXLE,PARAB SPR | |
| 3 | 0083576 | 2 | SPRING,FRT,PARAB,4X56,3 LF,2005 | WITH 40004-02 SPRING FEATURE (SHOWN) |
| 3 | 0083577 | 2 | SPRING,FRT,PARAB,4X56,2 LF,2005 | WITH 40004-01 SPRING FEATURE (NOT SHOWN) |
| 4 | 0105290 | 4 | U-BOLT,.75-16,4.78X13.00,ROUND TOP | WITHOUT 40011-01 SPACER FEATURE OR 3094001 FLT FLR |
| 4 | 0105325 | 4 | U-BOLT,.75-16,4.78X14.00,ROUND TOP | WITHOUT 40011-01 SPACER FEATURE OR 3094001 FLT FLR |
| 4 | 0105326 | 4 | U-BOLT,.75-16,4.78X15.00,ROUND TOP | WITH 40011-01 1" AXLE SPACER FEATURE |
| 4 | 0105327 | 4 | U-BOLT,.75-16,4.78X16.00,ROUND TOP | WITH 40072-01 2" AXLE SPACER FEATURE |
| 4 | 0107620 | 4 | U-BOLT,.75-16,4.78X17.00,ROUND TOP | WITH 30940-01 FLAT FLOOR FEATURE (3" SPACER) |
| 5 | 0105241 | 2 | PAD,AXLE,FRT,SPRG SUSP,HEND AXLE | |
| 6 | 1658525 | 2 | SHOCK ABSORBER,FRONT,PARABOLIC SPRING | |
| 7 | 0043465 | 2 | BRACKET,MOUNTING,SHOCK TO FRAME,FRONT | |
| 8 | 0051758 | 6 | PIN,SPRING,PARABOLIC SUSPENSION,FRONT,4 | |
| 9 | 1661966 | 4 | SHACKLE,PARABOLIC SUSPENSION,FRONT | |
| 10 | 1598812 | 2 | WEDGE,CASTER,2 DEGREE,2.5 X 4 SPRING | |
| 11 | 1362094 | 12 | CAPSCREW,HEX HD,7/16-14X3 1/4,GR8, | |
| 12 | 0997080 | 12 | NUT,HEX HD,7/16-14,LOCKING,GR 8,CADMIUM | |
| 13 | 0997072 | 12 | WASHER,FLAT,15/32 X 15/16 X 5/64,HDN, | |
| 14 | 1317783 | 2 | CAPSCREW,HEX HD,3/4-10 X 5,GR 8,YEL ZN | |
| 15 | 0933879 | 4 | NUT,HEX HD,3/4-10,PRVLG TORQ,GR8,CAD | |
| 16 | 0817965 | 8 | NUT,HEX HD,3/4-16,YEL ZN DICH | |

Models: A3FE, A3RE, C3FE
SPRING
FRONT
PARABOLIC
HENDRICKSON AXLE
To 11/5/06

| Key | PartNumber | Qty | Description | Comment |
|-----|------------|-----|--|---|
| 17 | 0607036 | 16 | WASHER,FLAT,13/16 X 1 3/8 X 7/64 ZP,HRD | |
| 18 | 1660083 | 2 | SPACER,25/32 ID X 1-1/2 OD X 3/4 THK,STEEL | |
| 19 | 1636943 | 24 | PIN,FLG HEAD,HUCKSPIN,.50X2.22,HSP8 | <i>QTY-26 WITH 4029107 12R TIRE FEATURE</i> |
| 20 | 1636968 | 24 | COLLAR,HUCKSPIN,.50,HSCH-R16 | <i>QTY-26 WITH 4029107 12R TIRE FEATURE</i> |
| 21 | 2027472 | 6 | FITTING,GREASE,5400,1/8 MPT,90 DEG | |
| 22 | 1700749 | 2 | CAPSCREW,HEX HD,3/4-10 X 8,GR 8,YEL ZN | |
| 23 | 1843788 | 2 | SNUBBER ASSEMBLY,SUSPENSION,FRONT | <i>WITH 4029107 12R TIRE FEATURE</i> |
| 24 | 0081574 | 2 | SPACER,SUSP,4 IN WIDE X 1 IN TK,CAST | <i>WITH 4001101 1" AXLE SPACER FEATURE</i> |
| 24 | 0081574 | 4 | SPACER,SUSP,4 IN WIDE X 1 IN TK,CAST | <i>WITH 4007201 2" AXLE SPACER FEATURE</i> |
| 24 | 0081574 | 6 | SPACER,SUSP,4 IN WIDE X 1 IN TK,CAST | <i>WITH 3094001 FLAT FLOOR FEATURE (3")</i> |

Models: A3FE, A3RE, C1FE, C3FE, CSFE, CSRE, QBRE, TCFE, TCRE, TSFE
SPRING FRONT STABILIZER BAR FRONT
With: OPTION 4565, 4566, 40004-06
BSN: From CSN 30039910 (9/7/99)
 To CSN 05/02/05

| Key | PartNumber | Qty | Description | Comment |
|-----|------------|-----|-------------|---------|
|-----|------------|-----|-------------|---------|

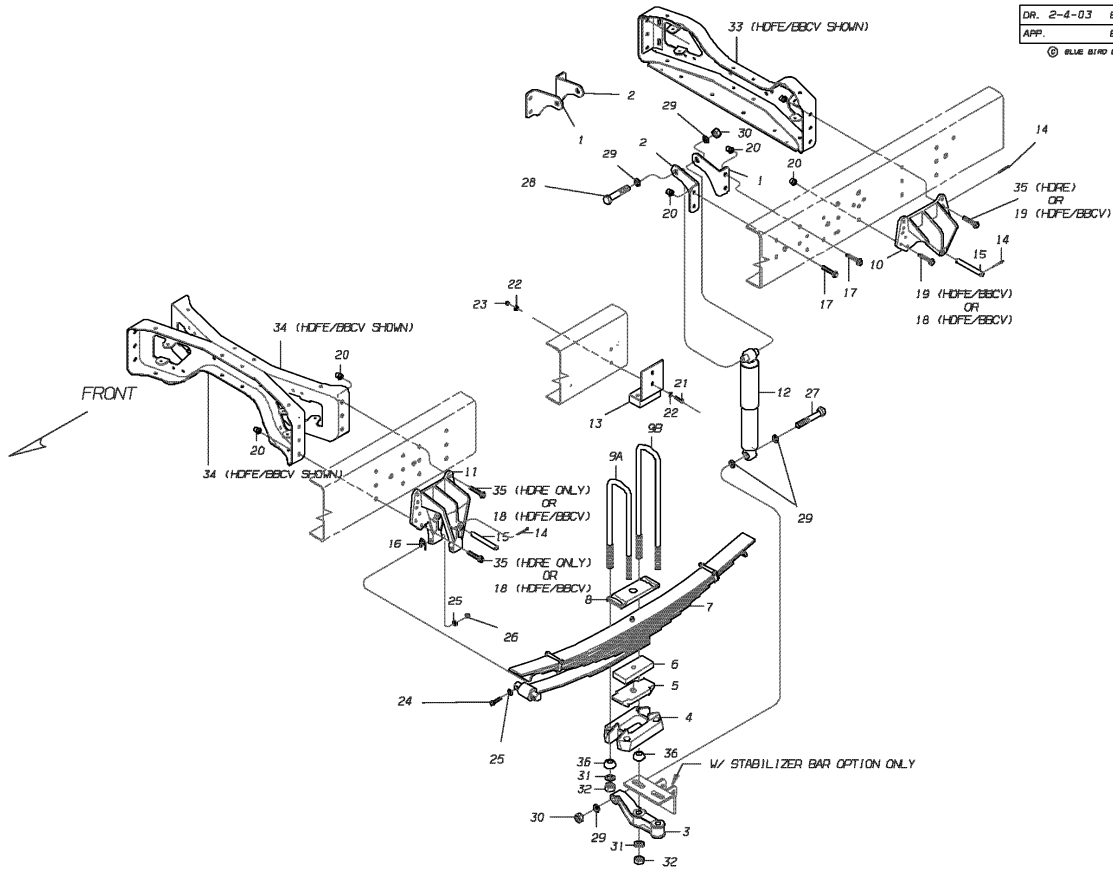


Models: A3FE, A3RE, C1FE, C3FE, CSFE, CSRE, QBRE, TCFE, TCRE, TSFE
With: SPRING
BSN: FRONT
OPTION 4565, 4566, 40004-06
From CSN 30039910 (9/7/99)
To CSN 05/02/05

| Key | PartNumber | Qty | Description | Comment |
|-----|------------|-----|--|---|
| 1 | 0014342 | | BAR,TORSION,1.37DIA,W/BUSHING | |
| NI | 0014345 | 2 | BUSHING,RUBBER,NEW STYLE | |
| 2 | 0014343 | 2 | BUSHING,D,POLYURETH,1.37DIA | |
| 3 | 0014344 | 2 | PLATE,U,BUSHING MOUNT | |
| 4 | 1003037 | 2 | WASHER,FLAT,21/32 X 1 3/16 X 13/64,BLK ZN | HDFE ONLY |
| 5 | 0012738 | | BRACKET ASSY,UBOLT,LH,STABILIZER BAR, | |
| 6 | 0012739 | | BRACKET ASSY,UBOLT,RH,STABILIZER BAR, | |
| 7 | 0014341 | 2 | HANGER,FINAL ASSY,FRAME,STABILIZER BAR, | |
| 8 | 0803148 | 4 | CAPSCREW,HEX HD,1/2-13 X 1 3/4,GR8, | |
| 9 | 0850800 | 4 | NUT,HEX HD,1/2-13,LOCKING,GR 8,CAD WAX | |
| 10 | 0817965 | | NUT,HEX HD,3/4-16,YEL ZN DICH | |
| 11 | 0607036 | | WASHER,FLAT,13/16 X 1 3/8 X 7/64 ZP,HRD | |
| 12 | | | U-BOLT | SEE SPRING SUSPENSION FOR APPROPRIATE PRODUCT |
| 13 | 0929018 | 8 | WASHER,FLAT,21/32 X 1 1/8 X 3/32,HDN,YEL | |
| 14 | 0939827 | 4 | NUT,HEX HD,5/8-11,GR 8,LOCK,CADMIUM WAX | |
| 15 | 0014348 | 4 | CAPSCREW,HEX HEAD,5/8-11X3.75 GR8,YEL | |
| 18 | 0014931 | 2 | BRACKET,FRAME,OUTSIDE,STABILIZER BAR, | |
| 19 | 2001139 | 8 | WASHER,FLAT,1/2 X 1 1/4 X 3/32,YEL ZN DICH | |
| 20 | 0012735 | 2 | BRACKET,FRAME,STABILIZER BAR,FRONT, | |

Models: A3FE, A3RE, BBCV, C3FE
SPRING
REAR
REAR FLAT LEAF
With: FEATURE 40005-01

| Key | PartNumber | Qty | Description | Comment |
|-----|------------|-----|-------------|---------|
|-----|------------|-----|-------------|---------|



Models: A3FE, A3RE, BBCV, C3FE
**SPRING
 REAR
 REAR FLAT LEAF**
With: FEATURE 40005-01

| Key | PartNumber | Qty | Description | Comment |
|-----|------------|-----|---|--|
| 1 | 1969856 | 2 | BRACKET,SHOCK MOUNT,UPPER,REAR,RH | |
| 2 | 1969864 | 2 | BRACKET,SHOCK MOUNT,UPPER,REAR,LH | |
| 3 | 1897800 | 2 | BRACKET,SHOCK MOUNT,LOWER | |
| 4 | 0031424 | 2 | BRACKET,RR SPRING U-BOLT,J-SERIES | |
| 5 | 1348424 | 2 | SADDLE,SPRING,REAR SUSP,0 DEGREE | BEGIN WITH CSN 30046540 |
| 5 | 1486695 | 2 | SADDLE,SPRING,REAR SUSP,-4.5 DEGREE,RE | BEGIN WITH CSN 30046540 |
| 5 | 0017907 | 2 | SADDLE,SPRING,REAR SUSP,4.5 DEGREE | BEGIN WITH CSN 30046540 |
| 5 | 0055032 | 2 | SADDLE,SPRING,REAR SUSP,2 DEGREE,BBCV | BEGIN WITH CSN 30046540 |
| 6 | 1864719 | 2 | SPACER ASSY,SUSPENSION,3.00IN WIDE | A3RE, HDRE, EXCEPT WITH 40361 |
| 7 | 1873603 | 2 | SPRING ASSY,13 LEAF,SLIP TYPE,8200LB | |
| 7 | 1874684 | 2 | SPRING ASSY,14 LEAF,SLIP TYPE,10400LB | |
| 7 | 0055019 | 2 | SPRING ASSY,RR,15 LEAF,SLIP TYPE,9300LB | |
| NI | 1874726 | | BUSHING,RUBBER,BONDED | |
| 8 | 1351410 | 2 | SEAT,U-BOLT,TOP,RR SUSP,19000 LB RR AX | |
| 9A | 1317874 | 2 | U-BOLT,3/4-16 X 17.0 W/3 IN REAR SPRING | |
| 9A | 1897594 | 2 | U-BOLT,3/4-16 X 18.0 W/3 IN REAR SPRING | |
| 9A | 0006632 | 2 | U-BOLT,3/4-16 X 19.0 W/3 IN REAR SPRING | |
| 9B | 1897594 | 2 | U-BOLT,3/4-16 X 18.0 W/3 IN REAR SPRING | ENDING WITH CSN 30046539 |
| 9B | 0006632 | | U-BOLT,3/4-16 X 19.0 W/3 IN REAR SPRING | * SEE PAGE SET NOTES |
| 9B | 1858075 | 2 | U-BOLT,3/4-16 X 20.0 W/3 IN REAR SPRING | BEGIN WITH CSN 30046540 WITH RS 21, 23, BBCV, HDRE |
| 9B | 1941467 | 21 | U-BOLT,3/4-16 X 21.0 W/3 IN REAR SPRING | |
| 10 | 1362078 | 2 | BRACKET,SPR HNGR,RR SUSP,RR,CAST,TCFC | |
| 11 | 1864610 | 2 | BRACKET,SPRING HANGER,RR SUSP,FRT,CAST | |

Models: A3FE, A3RE, BBCV, C3FE
SPRING
REAR
REAR FLAT LEAF
With: FEATURE 40005-01

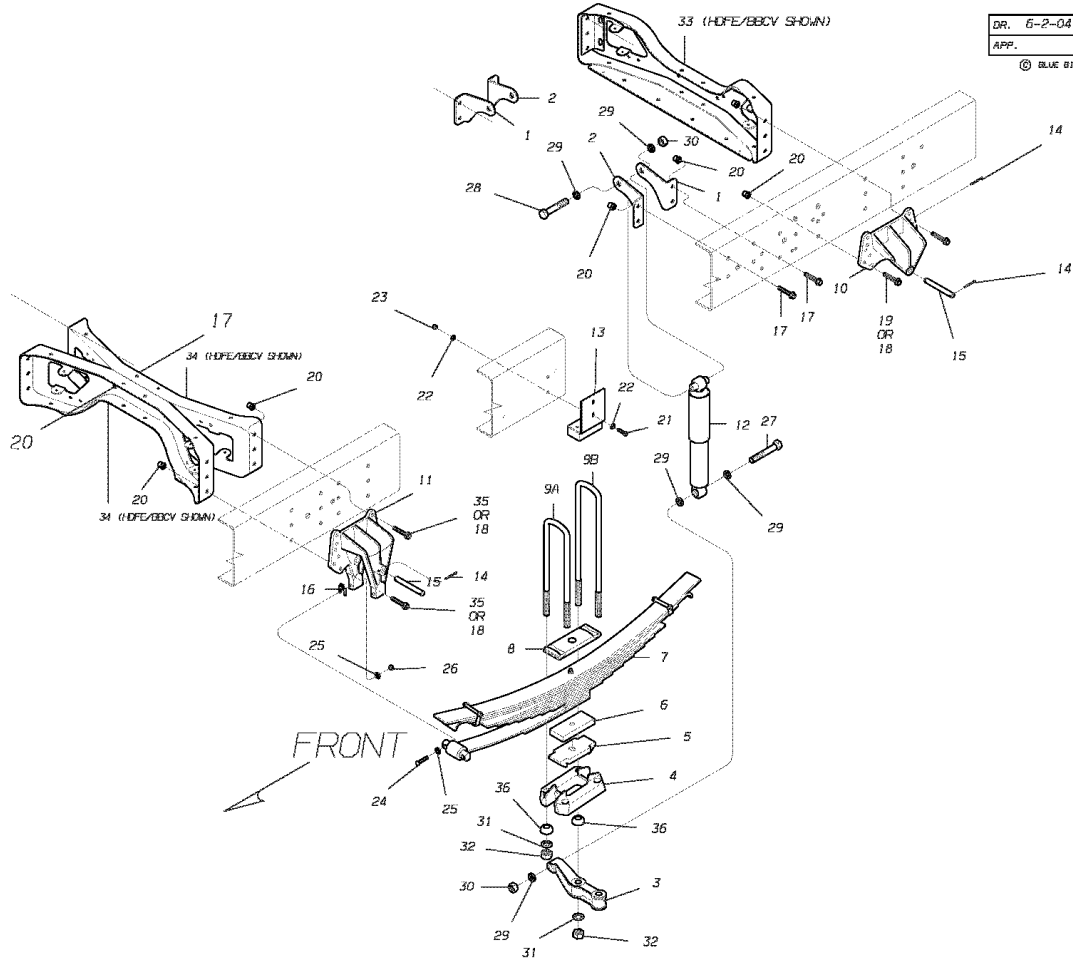
| Key | PartNumber | Qty | Description | Comment |
|-----|------------|-----|--|---------|
| 12 | 1707405 | 2 | SHOCK ABSORBER,MONROE | |
| 13 | 0011932 | 2 | PAD ASSY,BUMPER,RR AXLE RUBBER,SPRG | |
| 14 | 1362086 | 8 | PIN,COTTER,1/8 X 2 | |
| 15 | 0043589 | 4 | PIN,REBOUND,REAR SUSPENSION | |
| 16 | 1973312 | | SHIM,SPRING SUSP,REAR,1/8 | |
| 16 | 1973411 | | SHIM,SPRING SUSP,REAR,1/16 | |
| 16 | 0044745 | | SHIM,SPRING SUSP,REAR,1/32 | |
| 16 | 0044747 | | SHIM,SPRING SUSP,REAR,1/64 | |
| 21 | 0803171 | 6 | CAPSCREW,HEXHD,3/8-16NCX1-1/2,GR8, | |
| 22 | 1107085 | 10 | WASHER,FLAT,13/32 X 13/16 X 3/32,HDN,BLK | |
| 23 | 0839027 | 6 | NUT,HEX HD,3/8-16,GR G,SM FLG LK,YEL | |
| 24 | 1022805 | 4 | CAPSCREW,HEX HD,5/8-11 X 5,GR 8,YEL ZN | |
| 25 | 0929018 | 8 | WASHER,FLAT,21/32 X 1 1/8 X 3/32,HDN,YEL | |
| 26 | 0939827 | 4 | NUT,HEX HD,5/8-11,GR 8,LOCK,CADMIUM WAX | |
| 27 | 1317783 | 2 | CAPSCREW,HEX HD,3/4-10 X 5,GR 8,YEL ZN | |
| 28 | 1021815 | 2 | CAPSCREW,HEX HD,3/4-10 X4 1/2,GR8, | |
| 29 | 0954420 | 10 | WASHER,FLAT,3/4 ID X 1 1/8 OD X3/16TK, | |
| 30 | 0933879 | 4 | NUT,HEX HD,3/4-10,PRVLG TORQ,GR8,CAD | |
| 31 | 0607036 | 8 | WASHER,FLAT,13/16 X 1 3/8 X 7/64 ZP,HRD | |
| 32 | 0817965 | 8 | NUT,HEX HD,3/4-16,YEL ZN DICH | |
| 33 | 1807643 | | CROSSMEMBER ASSY,REINF,F/TANK END | |
| 33 | 1807684 | | CROSSMEMBER ASSY,REINF,REWORKED FOR | |
| 34 | 1807577 | 2 | CROSSMEMBER,STAMPED,34 INCH | |

Models: A3FE, A3RE, BBCV, C3FE
SPRING
REAR
REAR FLAT LEAF
With: FEATURE 40005-01

| Key | PartNumber | Qty | Description | Comment |
|-----|------------|-----|-------------------------------------|---------|
| 34 | 1807684 | 2 | CROSSMEMBER ASSY,REINF,REWORKED FOR | |
| 36 | 0018486 | 8 | WASHER,SPHERICAL,3/4 | |

Models: A3FE, A3RE, BBCV, C3FE
SPRING
REAR
REAR FLAT LEAF
With: FEATURE 40005-10-11-12-13

| Key | PartNumber | Qty | Description | Comment |
|-----|------------|-----|-------------|---------|
|-----|------------|-----|-------------|---------|



| | | | |
|---|-------|---------|-----|
| DR. 6-2-04 | BY MR | 0077616 | |
| APP. | BY | FRT | REV |
| © BLUE BIRD BODY COMPANY. ALL RIGHTS RESERVED | | | |



Models: A3FE, A3RE, BBCV, C3FE
**SPRING
 REAR
 REAR FLAT LEAF**
With: FEATURE 40005-10-11-12-13

| Key | PartNumber | Qty | Description | Comment |
|-----|------------|-----|---|--|
| 1 | 1969856 | 2 | BRACKET,SHOCK MOUNT,UPPER,REAR,RH | |
| 2 | 1969864 | 2 | BRACKET,SHOCK MOUNT,UPPER,REAR,LH | |
| 3 | 1897800 | 2 | BRACKET,SHOCK MOUNT,LOWER | |
| 4 | 0031424 | 2 | BRACKET,RR SPRING U-BOLT,J-SERIES | |
| 5 | 1348424 | 2 | SADDLE,SPRING,REAR SUSP,0 DEGREE | <i>HDFE 195-232 IN WB</i> |
| 5 | 1486695 | 2 | SADDLE,SPRING,REAR SUSP,-4.5 DEGREE,RE | <i>HDRE</i> |
| 5 | 0017907 | 2 | SADDLE,SPRING,REAR SUSP,4.5 DEGREE | <i>HDFE 141, 169 WB, BBCV 189 WB</i> |
| 5 | 0055032 | 2 | SADDLE,SPRING,REAR SUSP,2 DEGREE,BBCV | <i>BBCV 217-273 WB</i> |
| 6 | 1864719 | 2 | SPACER ASSY,SUSPENSION,3.00IN WIDE | <i>HDRE</i> |
| 7 | 0076828 | | SPRING ASSY,2 STAGE,SLIP TYPE,7200LB | <i>FEATURE 4000510</i> |
| 7 | 0077609 | | SPRING ASSY,2 STAGE,SLIP TYPE,8200LB | <i>FEATURE 4000511</i> |
| 7 | 0076830 | | SPRING ASSY,2 STAGE,SLIP TYPE,9200LB | <i>FEATURE 4000512</i> |
| 7 | 0076832 | | SPRING ASSY,2 STAGE,SLIP TYPE,10200LB | <i>FEATURE 4000513</i> |
| 8 | 1351410 | 2 | SEAT,U-BOLT,TOP,RR SUSP,19000 LB RR AX | |
| 9A | 1317874 | 2 | U-BOLT,3/4-16 X 17.0 W/3 IN REAR SPRING | <i>HDFE</i> |
| 9A | 1897594 | 2 | U-BOLT,3/4-16 X 18.0 W/3 IN REAR SPRING | <i>BBCV</i> |
| 9A | 0006632 | 2 | U-BOLT,3/4-16 X 19.0 W/3 IN REAR SPRING | <i>HDRE</i> |
| 9B | 0006632 | 2 | U-BOLT,3/4-16 X 19.0 W/3 IN REAR SPRING | <i>WITH FEATURE 4000510 & 11</i> |
| 9B | 1858075 | 2 | U-BOLT,3/4-16 X 20.0 W/3 IN REAR SPRING | <i>WITH FEATURE 4000512 & 13, HDRE</i> |
| 10 | 1362078 | 2 | BRACKET,SPR HNGR,RR SUSP,RR,CAST,TCFC | |
| 11 | 1864610 | 2 | BRACKET,SPRING HANGER,RR SUSP,FRT,CAST | |
| 12 | 1707405 | 2 | SHOCK ABSORBER,MONROE | |
| 13 | 0011932 | 2 | PAD ASSY,BUMPER,RR AXLE RUBBER,SPRG | |

Models: A3FE, A3RE, BBCV, C3FE
**SPRING
 REAR
 REAR FLAT LEAF**
With: FEATURE 40005-10-11-12-13


| Key | PartNumber | Qty | Description | Comment |
|-----|------------|-----|--|------------------|
| 14 | 1362086 | 8 | PIN,COTTER,1/8 X 2 | |
| 15 | 0043589 | 4 | PIN,REBOUND,REAR SUSPENSION | |
| 16 | 1973312 | | SHIM,SPRING SUSP,REAR,1/8 | |
| 16 | 1973411 | | SHIM,SPRING SUSP,REAR,1/16 | |
| 16 | 0044745 | | SHIM,SPRING SUSP,REAR,1/32 | |
| 16 | 0044747 | | SHIM,SPRING SUSP,REAR,1/64 | |
| 17 | | | HUCKSPIN FASTENER | |
| 18 | | | HUCKSPIN FASTENER | |
| 19 | | | HUCKSPIN FASTENER | |
| 20 | | | HUCKSPIN FASTENER | |
| 21 | 0803171 | 8 | CAPSCREW,HEXHD,3/8-16NCX1-1/2,GR8, | |
| 22 | 1107085 | 10 | WASHER,FLAT,13/32 X 13/16 X 3/32,HDN,BLK | |
| 23 | 0839027 | 6 | NUT,HEX HD,3/8-16,GR G,SM FLG LK,YEL | |
| 24 | 1022805 | 4 | CAPSCREW,HEX HD,5/8-11 X 5,GR 8,YEL ZN | |
| 25 | 0929018 | 8 | WASHER,FLAT,21/32 X 1 1/8 X 3/32,HDN,YEL | |
| 26 | 0939827 | 4 | NUT,HEX HD,5/8-11,GR 8,LOCK,CADMIUM WAX | |
| 27 | 1317783 | 2 | CAPSCREW,HEX HD,3/4-10 X 5,GR 8,YEL ZN | |
| 28 | 1021815 | 2 | CAPSCREW,HEX HD,3/4-10 X4 1/2,GR8, | |
| 29 | 0954420 | 10 | WASHER,FLAT,3/4 ID X 1 1/8 OD X3/16TK, | |
| 30 | 0933879 | 4 | NUT,HEX HD,3/4-10,PRVLG TORQ,GR8,CAD | |
| 31 | 0607036 | 8 | WASHER,FLAT,13/16 X 1 3/8 X 7/64 ZP,HRD | |
| 32 | 0817965 | 8 | NUT,HEX HD,3/4-16,YEL ZN DICH | |
| 33 | 1807643 | | CROSSMEMBER ASSY,REINF,F/TANK END | <i>HDFE ONLY</i> |

Models: A3FE, A3RE, BBCV, C3FE
SPRING
REAR
REAR FLAT LEAF
With: FEATURE 40005-10-11-12-13

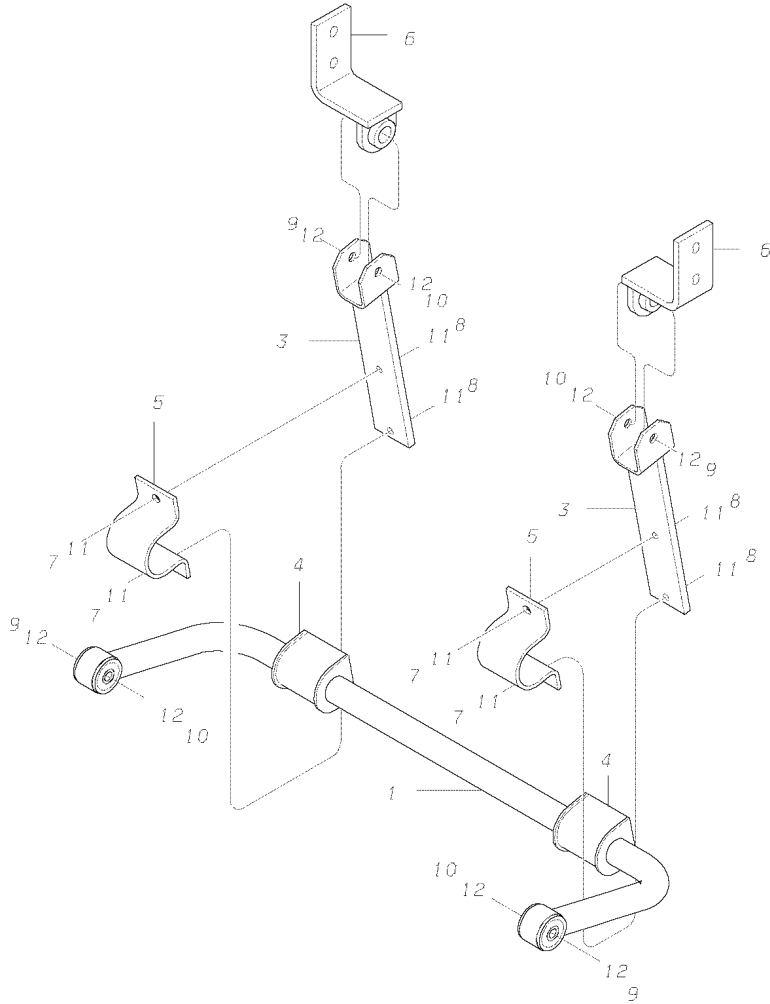
| Key | PartNumber | Qty | Description | Comment |
|-----|------------|-----|-------------------------------------|------------------|
| 33 | 1807684 | | CROSSMEMBER ASSY,REINF,REWORKED FOR | <i>HDRE ONLY</i> |
| 34 | 1807577 | | CROSSMEMBER,STAMPED,34 INCH | |
| 34 | 1807684 | | CROSSMEMBER ASSY,REINF,REWORKED FOR | <i>HDRE ONLY</i> |
| 36 | 0018486 | 8 | WASHER,SPHERICAL,3/4 | |

Models: A3FE, A3RE, C1FE, C3FE, CSFE, CSRE, QBRE, TCFE, TCRE, TSFE
**SPRING
 REAR
 STABILIZER BAR REAR**
With: OPTION 4566, 4568-01, 40005-04

| Key | PartNumber | Qty | Description | Comment |
|-----|------------|-----|-------------|---------|
|-----|------------|-----|-------------|---------|

| | | | | |
|-------------|-------|---------|-----|---|
| DR. 9/20/99 | BY MT | 1656331 | A |  |
| APP. | BY | FRT | REV | |

© BLUE BIRD BODY COMPANY. ALL RIGHTS RESERVED




Models: A3FE, A3RE, C1FE, C3FE, CSFE, CSRE, QBRE, TCFE, TCRE, TSFE
SPRING
REAR
STABILIZER BAR REAR
With: OPTION 4566, 4568-01, 40005-04

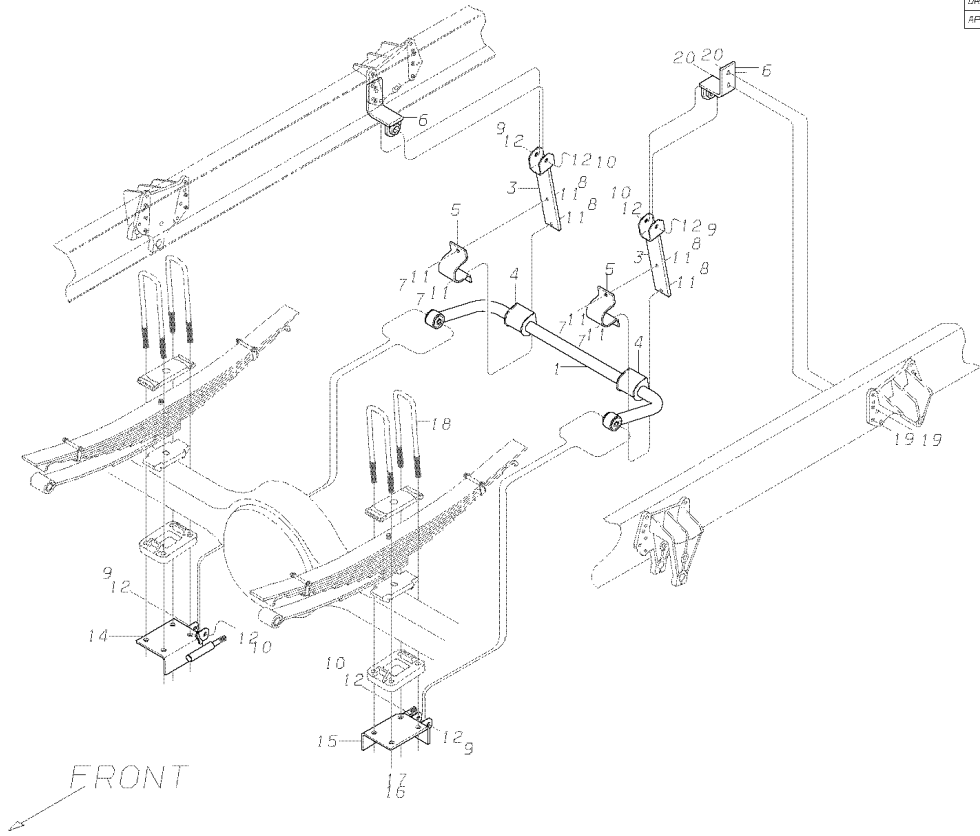
| Key | PartNumber | Qty | Description | Comment |
|-----|------------|-----|---------------------------------------|---------|
| 1 | 8303588 | | BAR, TORSION TB7082 | |
| 3 | 8303596 | 2 | BRKT. HANGER, BUSHING MTG. HB285" | |
| 4 | 8303604 | 2 | BUSHING, 1.75 POLYURETHANE PB-152" | |
| 5 | 8303612 | 2 | U-PLATE, BUSHING MOUNT UP-148" | |
| 6 | 8303620 | 2 | BRKT.,FRAME,WELDED, W/BUSHING FB-286" | |
| 7 | 8303638 | 4 | CAPSCREW 1/2 X 1.75 CX-310 | |
| 8 | 8303646 | 4 | LOCKNUT, SLOVER SLN-91" | |
| 9 | 8303653 | 4 | CAPSCREW 5/8 X 3.75 CS-138 | |
| 10 | 8303661 | 4 | LOCKNUT,SLOVER 5/8 SLN-33" | |
| 11 | 8303679 | 8 | WASHER, FLAT, 1/2 WA-43" | |
| 12 | 8303687 | 8 | WASHER, FLAT, 5/8 WA-137" | |
| 13 | | | PART NOT USED | |

Models: A3FE, A3RE, C1FE, C3FE, CSFE, CSRE, QBRE, TCFE, TCRE, TSFE
SPRING
REAR
STABILIZER BAR REAR AND MOUNTING
With: OPTION 4566, 4568-01, 40005-04

| Key | PartNumber | Qty | Description | Comment |
|-----|------------|-----|-------------|---------|
|-----|------------|-----|-------------|---------|

| | | | | | |
|--------------|-------|-----|---------|-----|---|
| DR. 9/26/97 | BY NW | | 1858406 | B |  |
| APP. 9/26/97 | BY CJ | FRT | | REY | |

© BLUE BIRD BODY COMPANY. ALL RIGHTS RESERVED. BLUE BIRD



Models: A3FE, A3RE, C1FE, C3FE, CSFE, CSRE, QBRE, TCFE, TCRE, TSFE
SPRING
REAR
STABILIZER BAR REAR AND MOUNTING
With: OPTION 4566, 4568-01, 40005-04

| Key | PartNumber | Qty | Description | Comment |
|-----|------------|-----|---|---|
| 1 | 8303588 | | BAR, TORSION TB7082 | |
| 3 | 8303596 | 2 | BRKT. HANGER, BUSHING MTG. HB285" | |
| 4 | 8303604 | 2 | BUSHING, 1.75 POLYURETHANE PB-152" | |
| 5 | 8303612 | 2 | U-PLATE, BUSHING MOUNT UP-148" | |
| 6 | 8303620 | 2 | BRKT.,FRAME,WELDED, W/BUSHING FB-286" | |
| 7 | 8303638 | 4 | CAPSCREW 1/2 X 1.75 CX-310 | |
| 8 | 8303646 | 4 | LOCKNUT, SLOVER SLN-91" | |
| 9 | 8303653 | 4 | CAPSCREW 5/8 X 3.75 CS-138 | |
| 10 | 8303661 | 4 | LOCKNUT,SLOVER 5/8 SLN-33" | |
| 11 | 8303679 | 8 | WASHER, FLAT, 1/2 WA-43" | |
| 12 | 8303687 | 8 | WASHER, FLAT, 5/8 WA-137" | |
| 13 | | | PART NOT USED | |
| 14 | 1858455 | | BRACKET ASSY,SHK,RR SUSP W/STAB,RH,J190 | EXCLUDING A3FE, A3RE ENDING WITH CSN F30055764 |
| 14 | 0022596 | | BRACKET ASSY,SHK,RR SUSP W/STAB,RH,J190 | J190-230 FROM CSN WITH CSN F30055765 TO F30077079 |
| 14 | 0033696 | | BRACKET ASSY,SHK,RR SUSP W/STAB,RH,J190 | J190-230 BEGIN WITH CSN F30077080 |
| 14 | 1858471 | | BRACKET ASSY,SHK,RR SUSP W/STAB,RH,S | EXCLUDING A3FE, A3RE |
| 14 | 0022644 | | BRACKET ASSY,SHK,RR SUSP W/STAB,RH,S150 | ENDING WITH CSN 30094779 S150. C1FE/TSFE ONLY |
| 14 | 0040320 | | BRACKET ASSY,SHK,RR SUSP,W/STAB,RH,RS15 | BEGIN WITH CSN 30094780. RS15 - C1FE ONLY |
| 15 | 1858463 | | BRACKET ASSY,SHK,RR SUSP W/STAB,LH,J190 | EXCLUDING A3FE, A3RE) ENDING WITH CSN F30055764 |
| 15 | 0022597 | | BRACKET ASSY,SHK,RR SUSP W/STAB,LH,J190 | J190-230 FROM CSN WITH CSN F30055765 TO F30077079 |
| 15 | 0033698 | | BRACKET ASSY,SHK,RR SUSP W/STAB,LH,J190 | J190-230 BEGIN WITH CSN F30077080 |

Models: A3FE, A3RE, C1FE, C3FE, CSFE, CSRE, QBRE, TCFE, TCRE, TSFE
**SPRING
 REAR
 STABILIZER BAR REAR AND MOUNTING**
With: OPTION 4566, 4568-01, 40005-04

| Key | PartNumber | Qty | Description | Comment |
|-----|------------|-----|--|--|
| 15 | 1858489 | | BRACKET ASSY,SHK,RR SUSP W/STAB,LH,S-150 | <i>EXCLUDING A3FE, A3RE</i> |
| 15 | 0022646 | | BRACKET ASSY,SHK,RR SUSP W/STAB,LH,S150 | <i>ENDING WITH CSN 30094779 S150. C1FE/TSFE ONLY</i> |
| 15 | 0040321 | | BRACKET ASSY,SHK,RR SUSP,W/STAB,RH,RS15 | <i>BEGIN WITH CSN 30094780. RS15 - C1FE ONLY</i> |
| 16 | 0008595 | 2 | BRACKET ASSY,MTG,STABILIZER BAR | <i>A3FE, A3RE ONLY</i> |

Models: **AAFE, A3FE, A3RE, C1FE, C3FE, CSFE, CSRE, QBRE, T2RE, TCFE**
SPRING
SPACER ASSY, CHART

| Key | PartNumber | Qty | Description | Comment |
|-----|------------|-----|--|---------|
| | | | SPACER ASSEMBLY, SPRING SUSPENSION | |
| | 1481704 | | SPACER ASSY,SUSPENSION,3IN WIDE | |
| | 1481712 | | SPACER ASSY,SUSPENSION,4IN WIDE | |
| | 1836246 | | SPACER ASSY,SUSP,1.75 INCH | |
| | 1864719 | | SPACER ASSY,SUSPENSION,3.00IN WIDE | |
| | 1896000 | | SPACER ASSY,SUSPENSION,4 INCH WIDE X 2 | |
| | 1895994 | | SPACER ASSY,SUSPENSION,3 INCH WIDE X 2 | |
| | 0018332 | | SPACER ASSY,SUSPENSION,4 INCH WIDE X 3 | |