

Body

310 Structure

CENTER

_____ 1
BOW & HEADER FASTENERS

_____ 2
FLOOR

_____ 3
FRONT

_____ 4
DRIVER'S AREA
LH & RH DRIVE

With: FEATURE 40360-01, -02 _____ 5

HYDRAULIC BRAKE RESERVOIR
CLUTCH MASTER CYLINDER COVER

_____ 6
FRONT FLOOR TRIM

With: FEATURE 30977-06 _____ 7

REAR
_____ 8

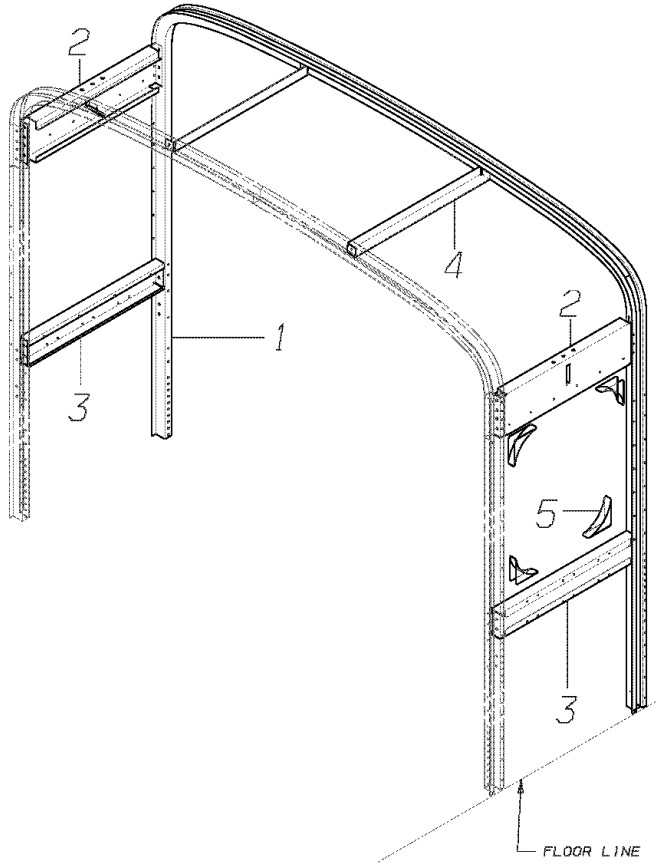
Models: C3FE
CENTER

Key	PartNumber	Qty	Description	Comment
-----	------------	-----	-------------	---------

TYPICAL BODY SECTION-SMALL WINDOW

DR. 10/09/03	BY TH	16913771	A
APP.	BY	FRT	REV

© BLUE BIRD BODY COMPANY. ALL RIGHTS RESERVED




**Models: C3FE
CENTER**

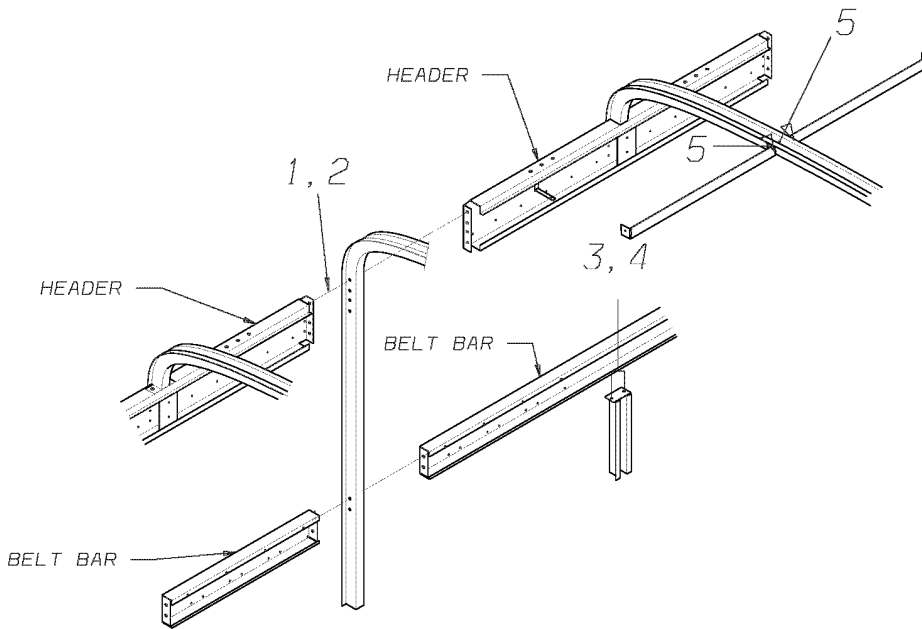
Key	PartNumber	Qty	Description	Comment
1	1683770		BOW ASSY,94.50,77 HR	<i>28.00 INCH SECTION</i>
2	1683606	2	HEADER,TSW,28.00 SECTION, CS	<i>28.00 INCH SECTION</i>
3	0808329	2	BELT BAR,WINDOW LINE,TSW,28IN SECT	<i>28.00 INCH SECTION</i>
4	1647478	2	BRACKET,SUPPORT,HEADLINING,28.00	<i>28.00 INCH SECTION</i>
5	0022457	4	GUSSET,WINDOW,REINFORCEMENT, CS	<i>28.00 INCH SECTION</i>
1	1683770		BOW ASSY,94.50,77 HR	<i>35.00 INCH SECTION</i>
2	1683614	2	HEADER,TSW,35.00 SECTION, CS	<i>35.00 INCH SECTION</i>
3	0798959	2	BELT BAR,WINDOW LINE,TSW,35IN SECT	<i>35.00 INCH SECTION</i>
4	1649797	2	BRACKET,SUPPORT,HEADLINING,35.00	<i>35.00 INCH SECTION</i>
5	0022457	4	GUSSET,WINDOW,REINFORCEMENT, CS	<i>35.00 INCH SECTION</i>

Models: C3FE
 CENTER
 BOW & HEADER FASTENERS

Key	PartNumber	Qty	Description	Comment
-----	------------	-----	-------------	---------

DR. 10/09/03	BY TB	16913774	A	
APP.	BY	FRT	REV	

© BLUE BIRD BODY COMPANY. ALL RIGHTS RESERVED



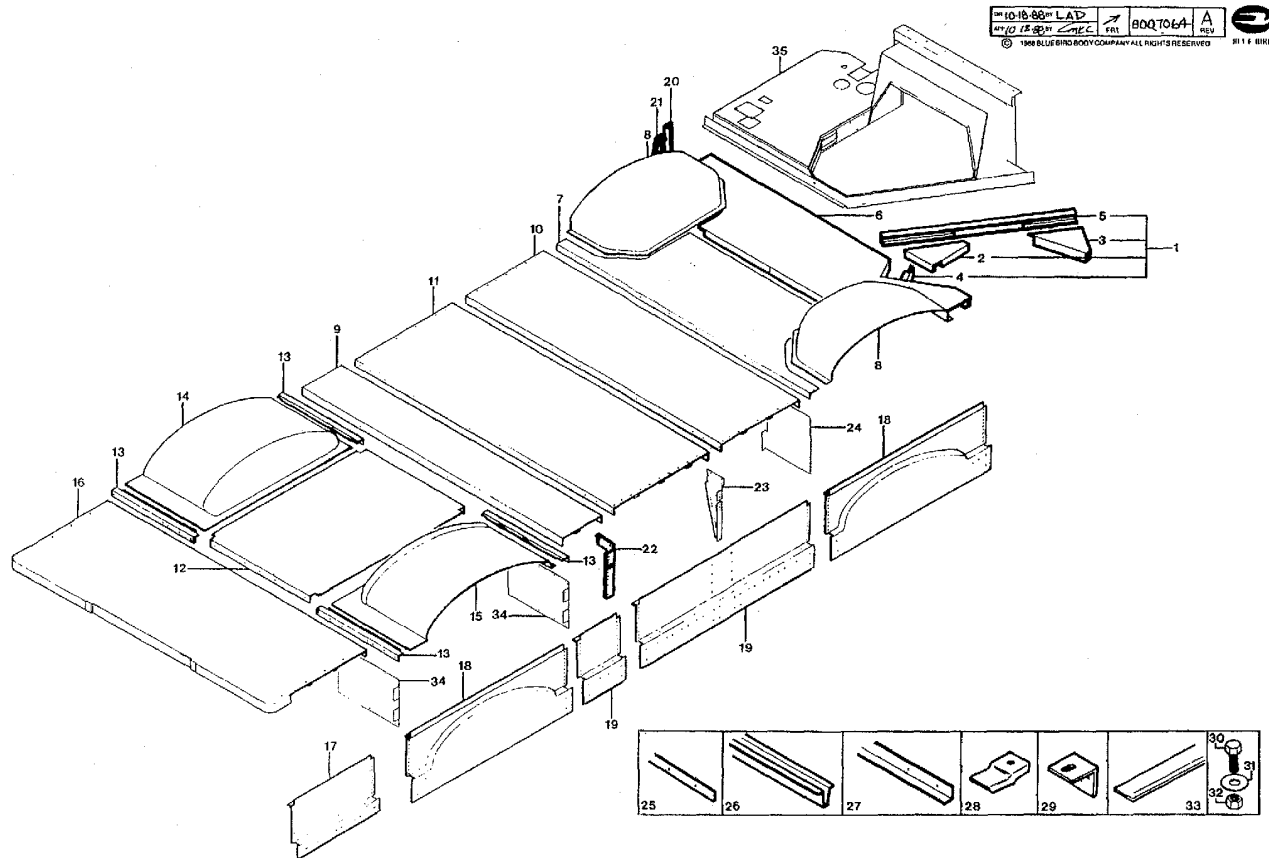
TYPICAL FASTENER USAGE AT
 BOW AND HEADER

**Models: C3FE
CENTER
BOW & HEADER FASTENERS**

Key	PartNumber	Qty	Description	Comment
1	1032309	*	CAPSCREW,HEX HD,5/16-18X 2,GR 5,YEL ZN	
2	0829390	12	NUT,HEX HD,5/16-18,SER WASHER,YEL ZN	
5	2000024	4*	SCREW,1/4-14 X 3/4,B,HEX HD,YEL ZN DICH	
3	1032283	8*	CAPSCREW,HEX HD,5/16-18,X,3/4,GR5,	<i>ADD FOR LARGE WINDOW SECTIONS</i>
4	0829390	8*	NUT,HEX HD,5/16-18,SER WASHER,YEL ZN	<i>ADD FOR LARGE WINDOW SECTIONS</i>

Models: **C3FE
FLOOR**

Key	PartNumber	Qty	Description	Comment
-----	------------	-----	-------------	---------



Models: C3FE
FLOOR

Key	PartNumber	Qty	Description	Comment
6	1965391		PANEL ASSY,FLOOR,NO 2, DRFL	
7	1972108		PANEL ASSY,FLOOR,NO3, DRFL	
8	0412064		WHEELHOUSING,FRONT	
9	0299149		PANEL ASSY,FLR,14	
NI	0545798		PANEL ASSY,FLR,21	
10	0299214		PANEL ASSY,FLR,28	
11	0299123		PANEL ASSY,FLR,35	
12	1053008		PANEL ASSY,W/H,CTR FLOOR,ZINC	
13				<i>PART IS FORMED TO WHEELHOUSING. NO LONGER SOLD SEPARATELY</i>
14	1268374		WHEELHOUSING,LH,ZINC COATED	
14	1268366		WHEELHOUSING,RH,ZINC COATED	
NI	1662790		TRIM,NO.2 FLOOR TO DRIVERS PLATFORM,TCFC	
15	1268366		WHEELHOUSING,RH,ZINC COATED	
15	1268374		WHEELHOUSING,LH,ZINC COATED	
16	1158393		PANEL ASSY,REAR FLOOR,35 1/4	
17	0889923		GUSSET,FLOOR,REAR,28,RH	<i>SHOWN</i>
17	0889915		GUSSET,FLOOR,REAR,28,LH	<i>OPPOSITE</i>
18	1270289		GUSSET,W/H FLOOR,56IN,RH	<i>SHOWN</i>
18	1270297		GUSSET,W/H FLOOR,56IN,LH	<i>OPPOSITE</i>
NI	1270297		GUSSET,W/H FLOOR,56IN,LH	
NI	1270289		GUSSET,W/H FLOOR,56IN,RH	
19	0889865		GUSSET,FLOOR,28 SECT	
19	0890079		GUSSET,FLOOR,35 SECT	

Models: C3FE
FLOOR

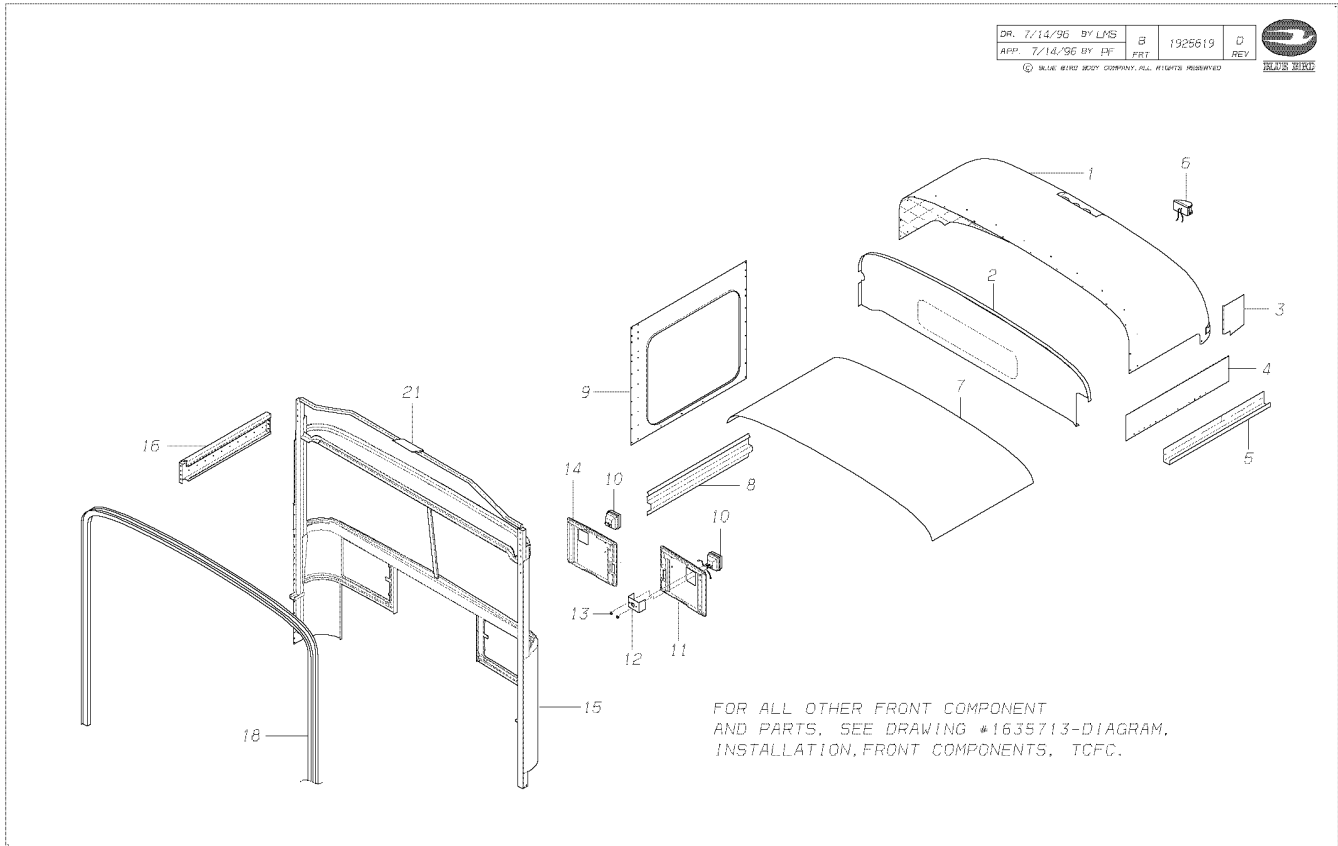
Key	PartNumber	Qty	Description	Comment
19	0889931		GUSSET,FLOOR,70 SECT	
19	0890103		GUSSET,FLOOR,84 SECT	
20	1322577		GUSSET,TRI FLOOR,LH FRONT,TCFC	
21				NOT APPLICABLE
22	1322908		GUSSET,TRI FLOOR,RH,16.25 SK,FOR BAR,TCFC	
23	1322908		GUSSET,TRI FLOOR,RH,16.25 SK,FOR BAR,TCFC	SHOWN
23	0834622		GUSSET,TRI FLOOR,16 1/4 SK,LH	OPPOSITE
24	1340322		GUARD,MUD, FRONT OF LH FRONT WHEEL OR	
25	0890681		CROSSMEMBER,BODY BAR	
26	0298653		CROSSMEMBER,AUX,STANDARD FLOOR PANEL	STANDARD, FLOOR PANEL
27	0332825		CROSSMEMBER,BODY BAR ANGLE	
28	1385723		CLAMP,TIE DOWN	
29	1509637		ANGLE,TIE DOWN,BODY,TCFE	
30	0522342		CAPSCREW,HEX HD,7/16-20X1 1/2,GR5,	
NI	0610725		CAPSCREW,HEX HD,5/16-18X1 1/4,GR8,	
31	1134097		WASHER,FLAT,15/32 X 1 1/8 X 5/64,HDN,BLK	
NI	2001048		WASHER,FLAT,11/32 X 11/16 X 1/16,YEL	
32	1134105		NUT,HEX HD,7/16-20,TOP LOCKING,CADMIUM	
NI	1160373		PAD,RUBBER,MTG,.25 X 2.50 X 2.50,W/.25 DIA	
NI	1160399		PIN,RATCHET,TYPE ONE,RUBBER PAD,PC 47486	
35	0051076		STRUCTURE ASSY,CHASSIS,FRONT,LH DRIVE,	ALL TRANSMISSIONS, EXCEPT MANUAL
35	0060257		STRUCTURE ASSY,CHAS,FRT,LH DRIVE,W/MAN	ALL TRANSMISSIONS, EXCEPT MANUAL WITH MANUAL OPENING DOOR

Models: C3FE
FLOOR

Key	PartNumber	Qty	Description	Comment
35	0019236		STRUCTURE ASSY,CHASSIS,FRONT,MAN TRANS	MANUAL TRANSMISSION ONLY
35	0051092		STRUCTURE ASSY,CHASSIS,FRONT,LHD,	FEATURE 40099, ADJUSTABLE PEDALS
35	0060258		STRUCTURE ASSY,CHAS,FRT,LH DRV,	FEATURE 40099, ADJUSTABLE PEDALS WITH MANUAL OPENING DOOR

Models: C3FE
FRONT

Key	PartNumber	Qty	Description	Comment
-----	------------	-----	-------------	---------



Models: C3FE
FRONT

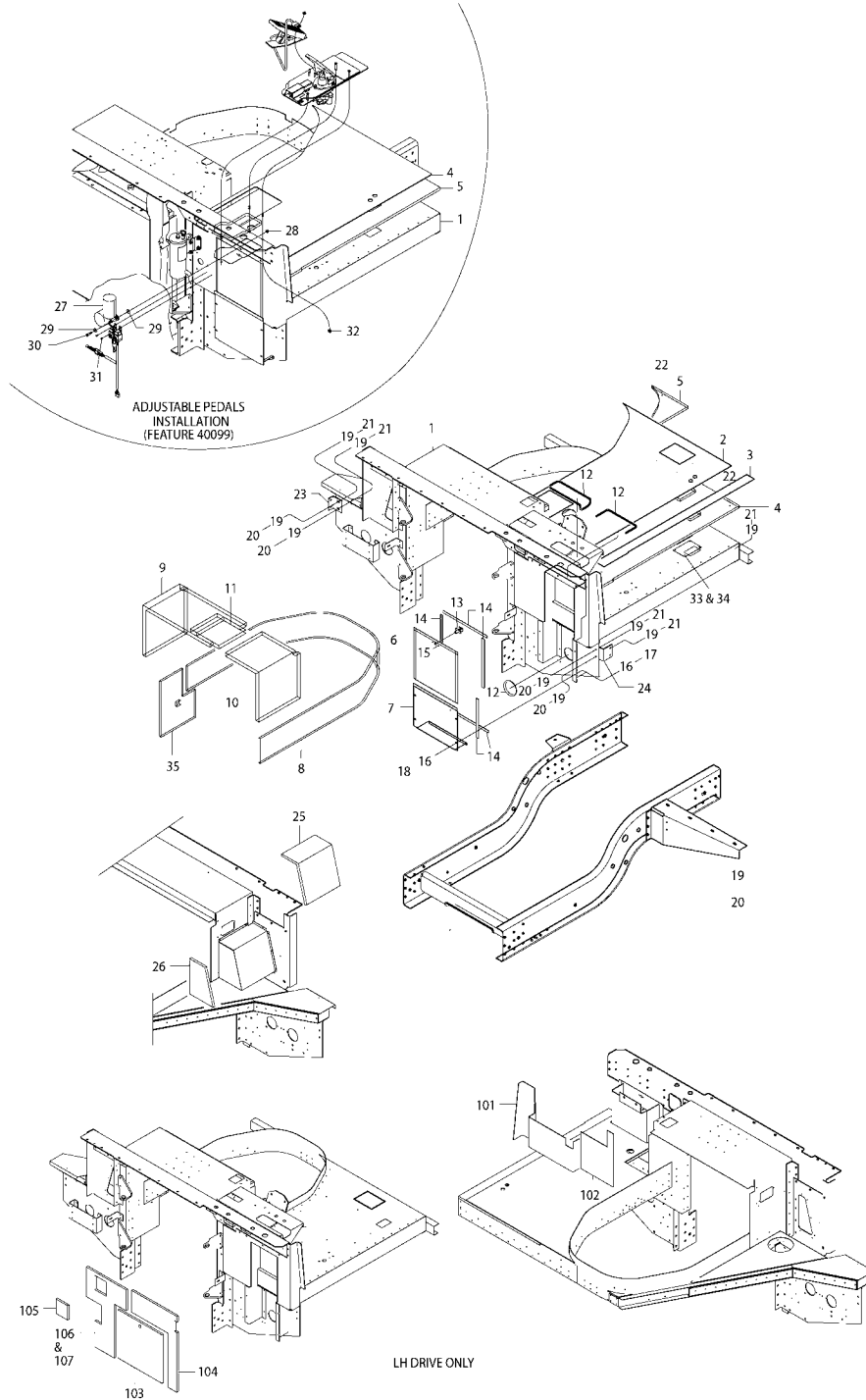
Key	PartNumber	Qty	Description	Comment
1	0034747		PANEL,ROOF CAP,FRONT CS	
2	1787886		PANEL ASSY,ACCESS,FRONT UPPER INNER,CS	
3	0056965		BOX,GLOVE COMPARTMENT	
4	1882059		PANEL,ROOF,O/S FRT,RH EXTENSION	
5	1561620		MOLDING,DRIP,ENTRANCE DOOR,36.75,TC	
6	1581420	5	LIGHT ASSY, CLERANCE, AMBER, LENS	
7	1713874		PANEL,HEADLINING,FRONT,CS	
8	1724111		MOLDING,WIRE,35.00 SECTION,CS	
9	1640069		PANEL,O/S,DRV'S,36.75 TSW,77 HR,FMVSS221	
10	1657881	2	LIGHT ASSY,DIRECTIONAL,HELLA,AMBER	
11	0062787		PANEL ASSY,ACCESS,FRT,20.09 BELT BAR,RH,	
12	1657345	2	BRACKET,MTG,FRONT DIRECTIONAL LIGHTS	
13	1518158	4	NUT,HEX HD,1/4-28,LOCKING,YEL ZN DICH	
14	0062788		PANEL ASSY,ACS,FRT,20.09 BELT BAR,LH, C3FE	
15	0059015		FRONT ASSY,2 PIECE CURVED FRONT, SCFE	
16	1649904		HEADER ASSY,ENTRANCE DOOR	
18	1683770		BOW ASSY,94.50,77 HR	
21	1919836		PANEL,SUPPORT,FRONT,FIBERGLASS CAP, CS	
22	0040153	2	SUPPORT,HEADLINING,FRONT SECTION, CS	
NI	0527275	10	SCREW,10-16 X 3/8,AB,PH1,PAN,YEL ZINC	
NI	1693407		FASTENER,HUCK,.25,BLIND,MAGNABULB,MBP-	
NI	1555127		PANEL,I/S,DRV,36.75,TSW,77HR,FMVSS221,TC	
NI	0028212		PANEL ASSY,DRIVERS,STATIONARY	

Models: C3FE
FRONT

Key	PartNumber	Qty	Description	Comment
NI	0004176		DOOR ASSY,GLOVE COMPARTMENT	

Models: A3FE, C3FE
FRONT
DRIVER'S AREA
LH & RH DRIVE
With: FEATURE 40360-01, -02

Key	PartNumber	Qty	Description	Comment
-----	------------	-----	-------------	---------



Models: A3FE, C3FE
**FRONT
 DRIVER'S AREA
 LH & RH DRIVE**
With: FEATURE 40360-01, -02

Key	PartNumber	Qty	Description	Comment
1	1957091		STRUCTURE ASSY,CHASSIS,FRONT, HDFE	FEATURE 40360-01, LH DRIVE, ENDING WITH BSN F10020224, L10032854
1	0010669		STRUCTURE ASSY,CHASSIS,FRONT, HDFE	FEATURE 40360-01, LH DRIVE, FROM BSN F10020225, L10032855 TO BSN F10035824, L10059259
1	0025618		STRUCTURE ASSY,CHASSIS,FRONT, HDFE	FEATURE 40360-01, LH DRIVE, FROM BSN F10035825, L10059260 TO BSN L10093804
1	0051076		STRUCTURE ASSY,CHASSIS,FRONT,LH DRIVE,	FEATURE 40360-01, LH DRIVE, BEGIN WITH BSN L10093805
1	0051076		STRUCTURE ASSY,CHASSIS,FRONT,LH DRIVE,	ENDING WITH BSN L10094784 W/O MANUAL TRANSMISSION
1	0060257		STRUCTURE ASSY,CHAS,FRT,LH DRIVE,W/MAN	BEGIN WITH BSN L10094785 W/O MANUAL TRANSMISSION
1	0019236		STRUCTURE ASSY,CHASSIS,FRONT,MAN TRANS	OPTION 4491 WITH FEATURE 40070. MANUAL TRANSMISSION WITH AIR BRAKES
1	0051092		STRUCTURE ASSY,CHASSIS,FRONT,LHD,	WITH FEATURE 40099, ADJUSTABLE PEDALS
1	0060258		STRUCTURE ASSY,CHAS,FRT,LH DRV,	WITH FEATURE 40099, ADJUSTABLE PEDALS WITH MANUAL OPENING DOOR
1	0014616		STRUCTURE ASSY,CHASSIS,FRONT,EXP, RH	FEATURE 40360-02 (RH DRIVE) WITH FEATURE 40070 (AIR BRAKES). ENDING WITH CSN F0178354.
1	0081482		STRUCTURE ASSY,PLATFORM,DRIVERS,FRT,RH	FEATURE 40360-02 (RH DRIVE) WITH FEATURE 40070 (AIR BRAKES). BEGIN WITH CSN F0178355.
1	0060259		STRUCTURE ASSY,CHAS,FRT,EXPORT,W/MAN	FEATURE 40360-02, RH DRIVE, WITH FEATURE 40070. AIR BRAKES WITH MANUAL OPENING DOOR
2*	1957208		PATTERN,MAT,DRIVER'S PLATFORM, HDFE	OPTION 40070, AIR BRAKES
2*	0004071		PATTERN,MAT,DRIVERS PLATFORM,HYD BRK,	OPTION 40071, HYD. BRAKES, ENDING WITH BSN L10093804
2*	0051711		PATTERN,MAT,PLATFORM,DRIVERS,HYD BRAKE	

Models: A3FE, C3FE
**FRONT
 DRIVER'S AREA
 LH & RH DRIVE**
With: FEATURE 40360-01, -02

Key	PartNumber	Qty	Description	Comment
				BEGIN WITH BSN L10093805
2*	0042747		PATTERN,MAT,DRIVER'S PLTF,W/40099, FE	OPTION 40070, AIR BRAKES WITH FEATURE 40099, ADJUSTABLE PEDALS
2*	0017253		PATTERN,MAT,DRIVERS PLATFORM,EXP,	FEATURE 40360-02 (RH DRIVE) WITH 40070 (AIR BRAKES). ENDING WITH CSN F0178354.
2*	0081450		PATTERN,PLATFORM,DRIVERS,FLOOR MAT,RH	FEATURE 40360-02 (RH DRIVE) WITH 40070 (AIR BRAKES). BEGIN WITH CSN F0178355.
3				SEE CHART 0011346 FOR APPROPRIATE MAT FOR OPTION 40070, 40071
4	1957182		PLYWOOD,DRIVER'S PLATFORM,TOP,AIR BRK,	ALL TRANSMISSIONS EXCEPT MANUAL, WITH OPTION 40070. AIR BRAKES
4	0009689		PLYWOOD,DRIVERS PLATFORM,TOP,MAN TRANS	OPTION 4491 WITH FEATURE 40070
4	0042745		PLYWOOD,DRIVER'S PLTF,TOP.W/40099, FE	OPTION 40070. AIR BRAKES WITH FEATURE 40099. ADJUSTABLE PEDALS
4	0004053		PLYWOOD,DRIVERS PLATFORM,TOP,HYD BRK,	OPTION 40071, HYD. BRAKES, ENDING WITH BSN F10020224, L10032854
4	0009598		PLYWOOD,DRIVERS PLATFORM,TOP,HYD BRK,	OPTION 40071, HYD. BRAKES, FROM BSN F10020225, L10032855 TO BSN L10093804
4	0051710		PLYWOOD,PLATFORM,DRIVERS,TOP,HYD BRAKE	OPTION 40071, HYD. BRAKES. BEGIN WITH BSN L10093805
4	0094505		PLYWOOD,DRVR,PLATFORM,HYD BRK W/O HTR	OPTION 40071, HYD. BRAKES WITHOUT DRIVER'S HEATER
4	1976026		PLYWOOD,DRIVERS PLATFORM,TOP, RHHDFE	FEATURE 40360-02 (RH DRIVE) WITH FEATURE 40070 (AIR BRAKES). ENDING WITH BSN F0067634.
4	0081759		PLYWOOD,DRIVERS,PLATFORM,TOP,RH DRIVE	FEATURE 40360-02 (RH DRIVE) WITH FEATURE 40070 (AIR BRAKES). BEGIN WITH BSN F0067635.
				WITHOUT DRIVER HEATER

Models: A3FE, C3FE
**FRONT
 DRIVER'S AREA
 LH & RH DRIVE**
With: FEATURE 40360-01, -02

Key	PartNumber	Qty	Description	Comment
4	0094476		PLYWOOD,DRVR,PLATFORM,TOP,W/O HTR	
4	0094474		PLYWOOD,DRVR,PLATFORM,TOP,MANUAL	MANUAL TRANS WITHOUT DRIVER HEATER
4	0094477		PLYWOOD,DRVR,PLATFORM,TOP,W/40099	WITH FEATURE 40099 WITHOUT DRIVER HEATER
5	1957190		PLYWOOD,DRIVER'S PLATFORM,CORNER, HDFE	
6	1957166		COVER,PANEL,ACCESS,ELEC,DRV PLATFORM	FEATURE 40360-01. LH DRIVE
6	0014608		COVER,PANEL,ACCESS,ELEC,DRV PLATFORM,RH	FEATURE 40360-02. RH DRIVE
7	1949239		PANEL,CLOSEOUT,ACCESS,ELECTRICAL,HDFE	FEATURE 40360-01. LH DRIVE
7	0014607		PANEL,CLOSEOUT,ACCESS,ELECTRICAL,EXP	FEATURE 40360-02. RH DRIVE
8	1986082		INSULATION,THERMAL,LEDGE,HOOD,HDFE	ENDING WITH BSN F0106129.
8	0110051		INSULATION,THERMAL,PANEL,HOOD LEDGE	BEGIN WITH BSN F0106130 (01/29/07)
9	0000966		INSULATION,THERMAL,PANEL,ENGINE C/OUT,	FEATURE 40360-01, LH DRIVEENDING WITH BSN F10014699, L10023424
9	0009590		INSULATION,THERMAL,PANEL,ENGINE C/OUT,	FEATURE 40360-01, LH DRIVEFROM BSN F10014700, L10023425 TO BSN F10035824, L10059259
9	0029939		INSULATION,THERMAL,PANEL,ENGINE C/OUT,	FEATURE 40360-01, LH DRIVE. BEGIN WITH BSN F10035825, L10059260
9	0029938		INSULATION,THERMAL,PANEL,ENGINE C/OUT,	FEATURE 40360-02. RH DRIVE
9	0092161		INSULATION,THERMAL,PANEL,ENGINE CUTOUT,	WITH AIR CONDITIONER
10	0000967		INSULATION,THERMAL,PANEL,ENGINE C/OUT,	FEATURE 40360-01, LH DRIVE, ENDING WITH BSN F10014699, L10023424
10	0009588		INSULATION,THERMAL,PANEL,ENGINE C/OUT,	FEATURE 40360-01, LH DRIVE, FROM BSN F10014700, L10023425 TO BSN F10035824, L10059259
10	0029942		INSULATION,THERMAL,PNL,ENG C/OUT,LH,	FEATURE 40360-01, LH DRIVE. BEGIN WITH BSN F10035825, L10059260

Models: A3FE, C3FE
FRONT
DRIVER'S AREA
LH & RH DRIVE
With: FEATURE 40360-01, -02

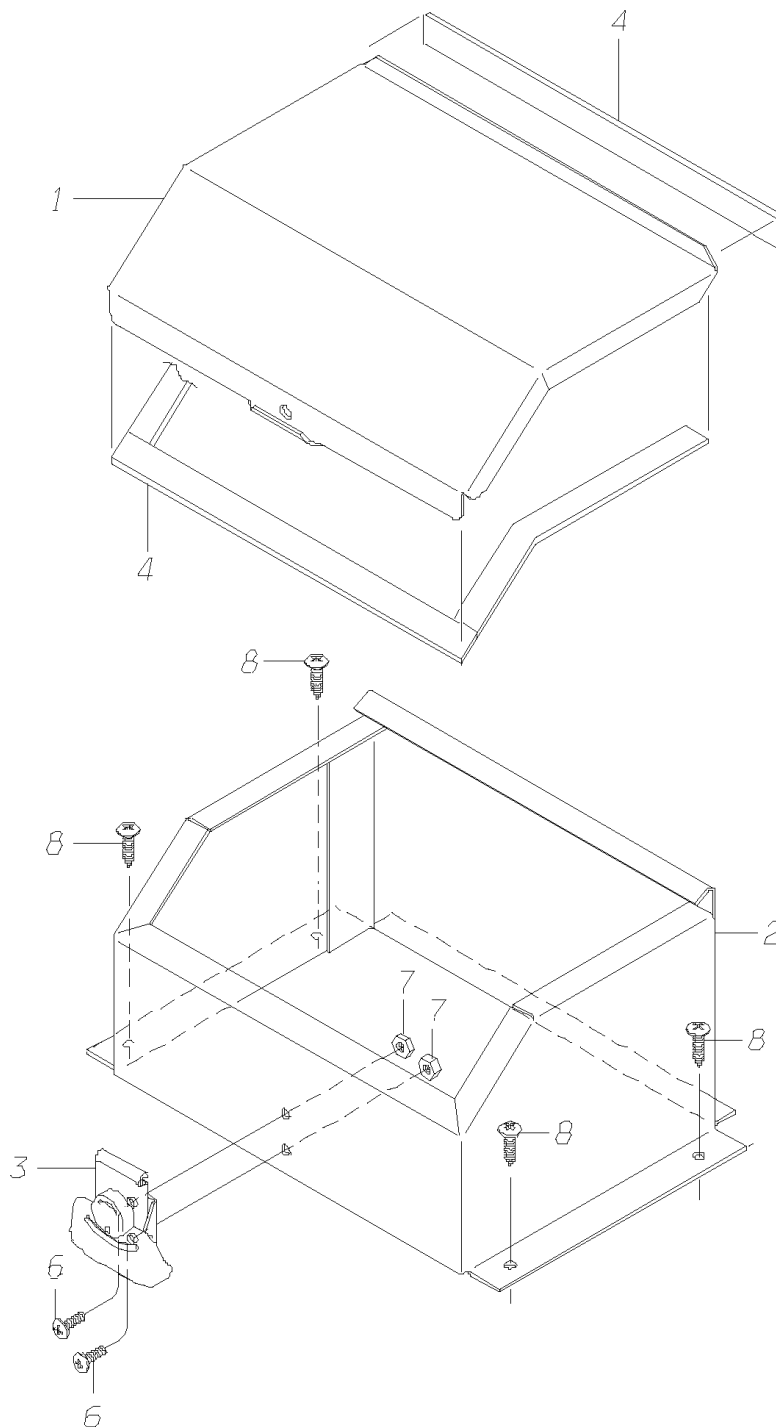
Key	PartNumber	Qty	Description	Comment
10	0060343		INSULATION,THERMAL,PNL,ENG,C/O,LH,W/MAN	FEATURE 40360-01. LH DRIVE WITH MANUAL OPENING DOOR
10	0029941		INSULATION,THERMAL,PNL,ENG C/OUT,RH,	FEATURE 40360-02. RH DRIVE
10	0060344		INSULATION,THERMAL,PNL,ENG,C/O,RH,W/MAN	FEATURE 40360-02. RH DRIVE WITH MANUAL OPENING DOOR
11	1986074		INSULATION,THERMAL,PNL,ENG C/OUT,CTR RH	ENDING WITH BSN F10035824, L10059259
11	0029940		INSULATION,THERMAL,PNL,ENG C/OUT,CTR	BEGIN WITH BSN F10035825, L10059260
12	1489434	6'	TRIM,VINYL,BLACK,DOUBLE LIP	
13	0000635		LATCH,ADJUSTABLE GRIP,SOUTHCO 44-1-10-0	
14	0621953	6'	TAPE,FOAM,1/8X3/4X50FT,CLSD.CELL NEOP.	
15	1494160		RIVET,.12,CHERRY SSP-42	
16	1467000		WASHER,FLAT,.281 X.750X.078 HARDENED,BLK	
17	2001345		NUT,HEX HD,1/4-20,LOCKING,YELLOW	
18	0870477		CAPSCREW,HEX HD,1/4-20 X 1,GR 8,YEL ZN	
19	1078922		WASHER,FLAT,3/8 X 7/8 X 5/64,YEL ZN DICH	
20	1522713		NUT,HEX HD,3/8-24,LOCK,GR 8,YEL ZNDICH	
21	0801787		CAPSCREW,HEX HD,3/8-24 X 1,GR8,YEL ZN	
22	2000594		SCREW,10-16X1-1/2,AB,PH1,OVAL CNSK,YEL	
23	0006816		BRACKET,MTG,BODY TIEDOWN,RH,HDFE	
24	0006818		BRACKET,MTG,BODY TIEDOWN,LH, HDFE	
25	0009592		INSULATION,THERMAL,PNL,AIR INTAKE,TOP,	
26	0009591		INSULATION,THERMAL,PNL,AIR INTAKE,REAR,	
27	0043027		DRIVE MOTOR ASSEMBLY,ADJUSTABLE PEDALS	OPTION 40070 WITH 40099
28	0829390	3	NUT,HEX HD,5/16-18,SER WASHER,YEL ZN	FOR AIR BRAKES WITH ADJUSTABLE PEDALS

Models: A3FE, C3FE
FRONT
DRIVER'S AREA
LH & RH DRIVE
With: FEATURE 40360-01, -02

Key	PartNumber	Qty	Description	Comment
29	1078922	6	WASHER,FLAT,3/8 X 7/8 X 5/64,YEL ZN DICH	FOR AIR BRAKES WITH ADJUSTABLE PEDALS
30	0045180	3	SCREW,SHOULDER,ALLEN, .375 X .625,.312	FOR AIR BRAKES WITH ADJUSTABLE PEDALS
31	1200799	2	SCREW,10-24 X 3/8,T,PH1,PAN HD, YEL ZN	FOR AIR BRAKES WITH ADJUSTABLE PEDALS
32	0839027	6	NUT,HEX HD,3/8-16,GR G,SM FLG LK,YEL	FOR AIR BRAKES WITH ADJUSTABLE PEDALS
33	1411834		PLATE,COVER,DRIVERS U/S HEATER HOLES,	WITHOUT DRIVER'S HEATER
34	0422915		RIVET,1/8 DIA,ALUMINUM,W/ST STEM	WITHOUT DRIVER'S HEATER
35	0110052		INSULATION,THERMAL,PANEL,LWR,ENG	
10	0007885		INSULATION,THERMAL,DRV C/OUT,INSIDE,	OPTION 1502, INSULATED DRIVER'S AREA,LH DRIVE ONLY, ENDING WITH BSN F10044184, L10072754
10	0043154		INSULATION,THERMAL,DRV C/O,INS,W/40099,	OPTION 1502, INSULATED DRIVER'S AREA,LH DRIVE ONLY, BEGIN WITH BSN F10044185, L10072755
10	0045064		INSULATION,THERMAL,DRV C/OUT,INSIDE,LEFT	OPTION 1502, INSULATED DRIVER'S AREA,LH DRIVE ONLY
10	0007886		INSULATION,THERMAL,ELEC. ACCESS COVER,	OPTION 1502, INSULATED DRIVER'S AREA,LH DRIVE ONLY
10	0007887		INSULATION,THERMAL,DRV C/OUT,O/S,LH,	OPTION 1502, INSULATED DRIVER'S AREA,LH DRIVE ONLY
10	1566157		INSULATION,THERMAL,DRV VENT DOOR, TC/HD	OPTION 1502, INSULATED DRIVER'S AREA,LH DRIVE ONLY
10	0007888		INSULATION,THERMAL,DRV C/OUT,O/S,RH,	OPTION 1502. LH DRIVE ONLY
10	0042748		INSULATION,THL,DRV,C/O,O/S,RH	OPTION 1502 WITH FEATURE 40099. ADJUSTABLE PEDALS
10	0043030		INSULATION,THL,DRV,C/O,O/S,RH	FEATURE 40099

Models: C3FE
FRONT
HYDRAULIC BRAKE RESERVOIR
CLUTCH MASTER CYLINDER COVER

Key	PartNumber	Qty	Description	Comment
-----	------------	-----	-------------	---------

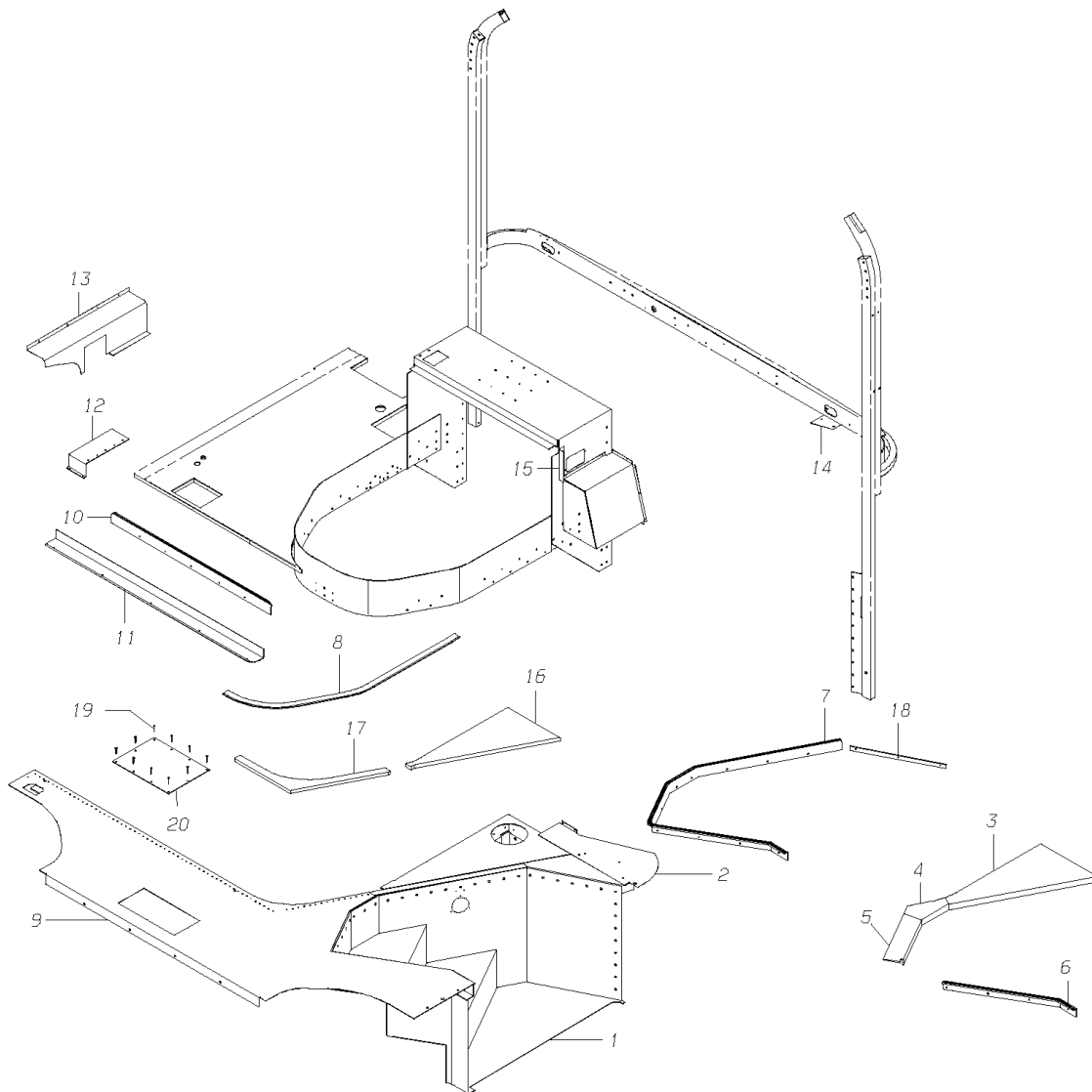


Models: C3FE
**FRONT
 HYDRAULIC BRAKE RESERVOIR
 CLUTCH MASTER CYLINDER COVER**

Key	PartNumber	Qty	Description	Comment
1	0007196		PANEL, TOP, BRAKE RESERVOIR COVER ASSY,	
2	0010666		COVER ASSY, HYDRAULIC BRAKE RESERVOIR,	
3	0001764		LATCH, HYDBRK/RESVR CVR, SOUTHCO K2-3005	
4	0758292	32	TAPE, FOAM, PCV, 3/16 X 3/8 WIDTH, W/ADH	
5	2051902		SEALANT, SILICONE, BLACK, CARTRIDGE	
6	2000719	2	SCREW, 8-32 X 3/8, PH 1, RD HD, YEL ZN DICH"	
7	2001253	2	NUT, HEX HD, 8-32, YELLOW DICHROMATE	
8	1589522	4	SCREW, 10-16 X 3/4, AB, PH1, PAN HD, YEL ZN	

Models: C3FE
With: FRONT FLOOR TRIM
Feature: 30977-06

Key	PartNumber	Qty	Description	Comment
-----	------------	-----	-------------	---------




Models: C3FE
With: FRONT FLOOR TRIM
 FEATURE 30977-06

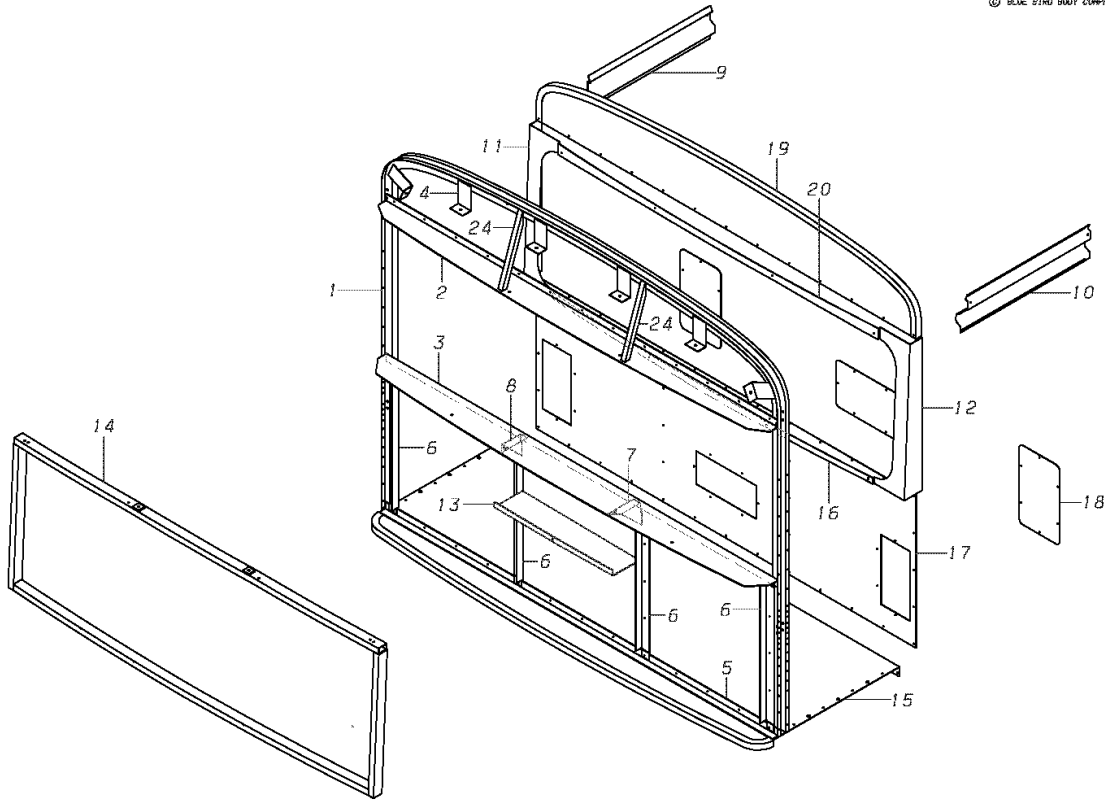
Key	PartNumber	Qty	Description	Comment
1	1979244		STEPWELL ASSY,JK,24.75,A3FE	
2	0010683		PANEL,CLOSEOUT,HEATER TO COWL,DRFL	
7	1984046		TRIM,STEPWELL,DRFL	
7	0019372		TRIM,STEPWELL,W/PLYWOOD FLOOR,DRFL	WITH PLYWOOD FLOOR OPTION
9	1965391		PANEL ASSY,FLOOR,NO 2, DRFL	
9	1978121		PANEL ASSY,FLOOR,NO 2,W/TRANS ACS HOLE	WITH FEATURE 40427 ONLY
NI	1972108		PANEL ASSY,FLOOR,NO3, DRFL	
NI	0412064		WHEELHOUSING,FRONT	
10	0001359		TRIM,DRIVERS PLATFORM,REAR,DRFL	
10	0001318		TRIM,DRIVERS PLATFORM,REAR,HYD BRAKE,	
11	0001208		TRIM,NO 2 FLOOR TO DRIVERS PLATFORM,	
12	1984012		PANEL,CLOSEOUT,DRV PLATFORM,REAR., DRFL	
15	0000850		ANGLE,HEATER CLOSEOUT,INTERIOR, DRFL	
16	0001544		PLYWOOD,TRIANGLE,HOOD LEDGE,.50, DRFL	
16	0001361		PLYWOOD,TRIANGLE,HOOD LEDGE, DRFL	
17	0001543		PLYWOOD,NO.2 FLR TO HOOD LEDGE, DRFL	
18	1986264		TRIM,STEPWELL TO HEATER,DRFL	
19	2000594	10	SCREW,10-16X1-1/2,AB,PH1,OVAL CNSK,YEL	
20	1560275		PLATE,MANUAL TRANS INSPECTION,STEEL,	
NI	1576172		SCREW,HEX,WASH,5/16X3/4,TYPE F,YEL ZN	

Models: C3FE
REAR

Key	PartNumber	Qty	Description	Comment
-----	------------	-----	-------------	---------

DR. 1/20/95 BY DB	1652015	D	REV	
APP. 1/20/95 BY PF				

© BLUE BIRD BODY COMPANY. ALL RIGHTS RESERVED



Models: C3FE
REAR

Key	PartNumber	Qty	Description	Comment
1	1634153		BOW,94.50,77 HEADROOM	
2	1648815		PANEL,SHELF,UPPER,REAR STRUCTURE, CSFE	
3	1648807		PANEL,SHELF,LOWER,REAR STRUCTURE, CS	
4	1651983	5	BRACKET,ATTACHING,REAR UPPER INNER,	
5	1652023		ANGLE,FLOOR,CLOSEOUT,REAR STRUCTURE,	
6	1652031	4	BRACE,VERTICAL,REAR,LOWER SHELF, TQFC	
7	1652148		GUSSET,SUPPORT,RH,LOWER SHELF, TQFC	
8	1652130		GUSSET,SUPPORT,LH,LOWER SHELF, TQFC	
11	1782408		PANEL,TRIM,LH,REAR,REAR WINDOW, TQFC	
12	1782390		PANEL,TRIM,RH,REAR,REAR WINDOW, CS	
13	1653054		PANEL,SHELF,FIBERGLASS REINFORCEMENT,	
14	1652049		FRAME ASSY,WINDOW,REAR STRUCTURE, TQFC	
15	0026598		PANEL ASSY,FLOOR,REAR,35.25, CSFE	
16	1652106		PANEL,TRIM,LOWER,REAR WINDOW, TQFC	
17	1652064		PANEL,CLOSEOUT,REAR,LOWER, TQFC	
18	1652072	3	COVER,LIGHT,REAR CLOSEOUT PANEL, TQFC	
19	1652114		PANEL ASSY,REAR UPPER INNER, TQFC	
20	1782382		PANEL,TRIM,UPPER,REAR WINDOW, CS	
NI	1415769	67	RIVET,POP,.18 X .45,CHERRY SSPS-6-4	
NI	2000198	6	SCREW,5/16-18 X 1,D,HEX HD,YEL ZN DICH	
NI	1164821	18	SCREW,10-16 X 3/4,AB,PH1,TRUSS HD, YEL ZN	
24	1677137	2	BRACE,REAR SHELF TO BOW	
25	1351071	2	PLUG,BUTTON,BLACK,DP-1000 HEYCO 2713	