

Body

320 Interior

FRONT

ENGINE HOOD INSTALLATION	1
-----------------------------	---

With: FEATURE 40360-01

LH DRIVER'S AREA

2

3

FRONT DASH

INSTALLATION

WITH MANUAL DOOR CONTROL

4

WITH POWER DOOR CONTROL

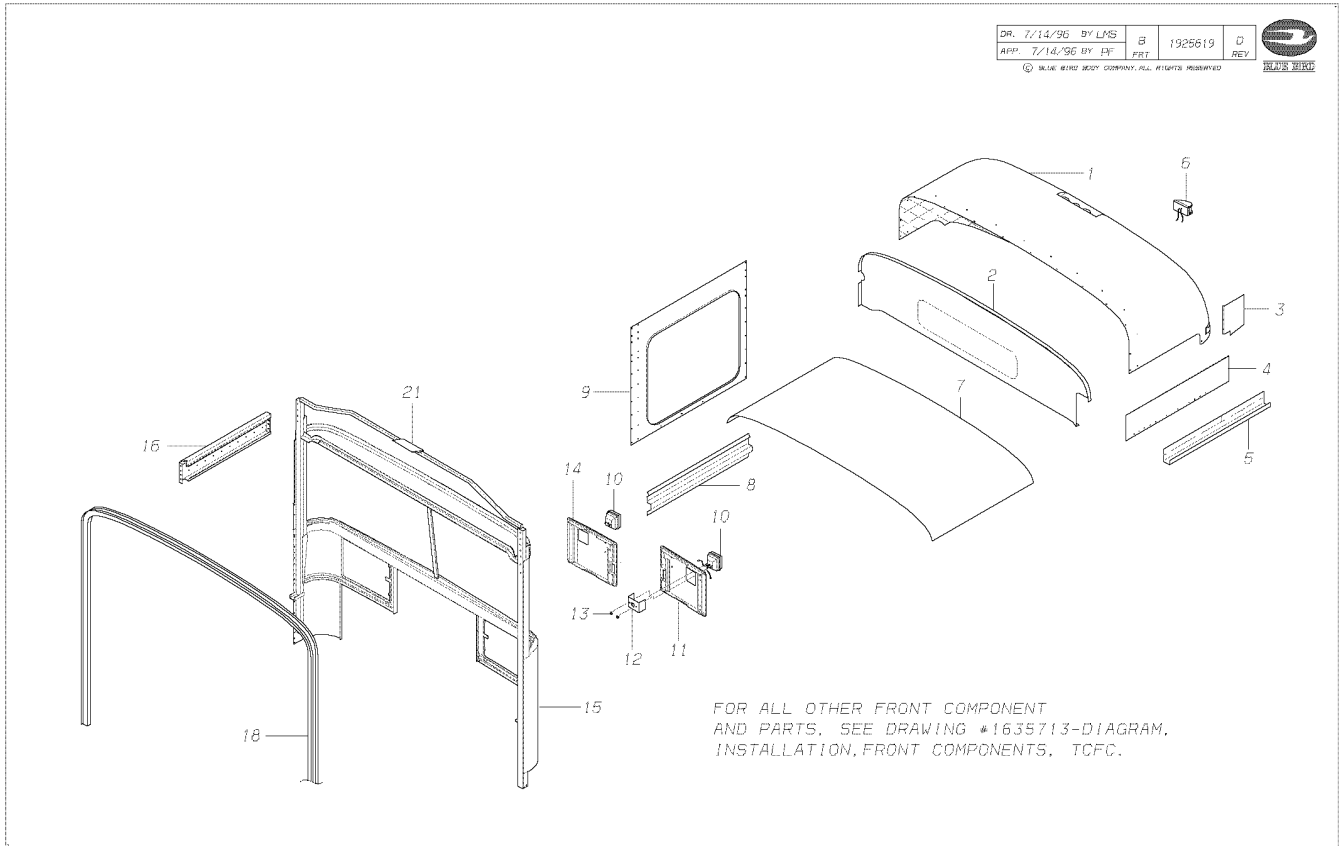
5

REAR

6

Models: C3FE
FRONT

Key	PartNumber	Qty	Description	Comment
-----	------------	-----	-------------	---------



Models: C3FE
FRONT

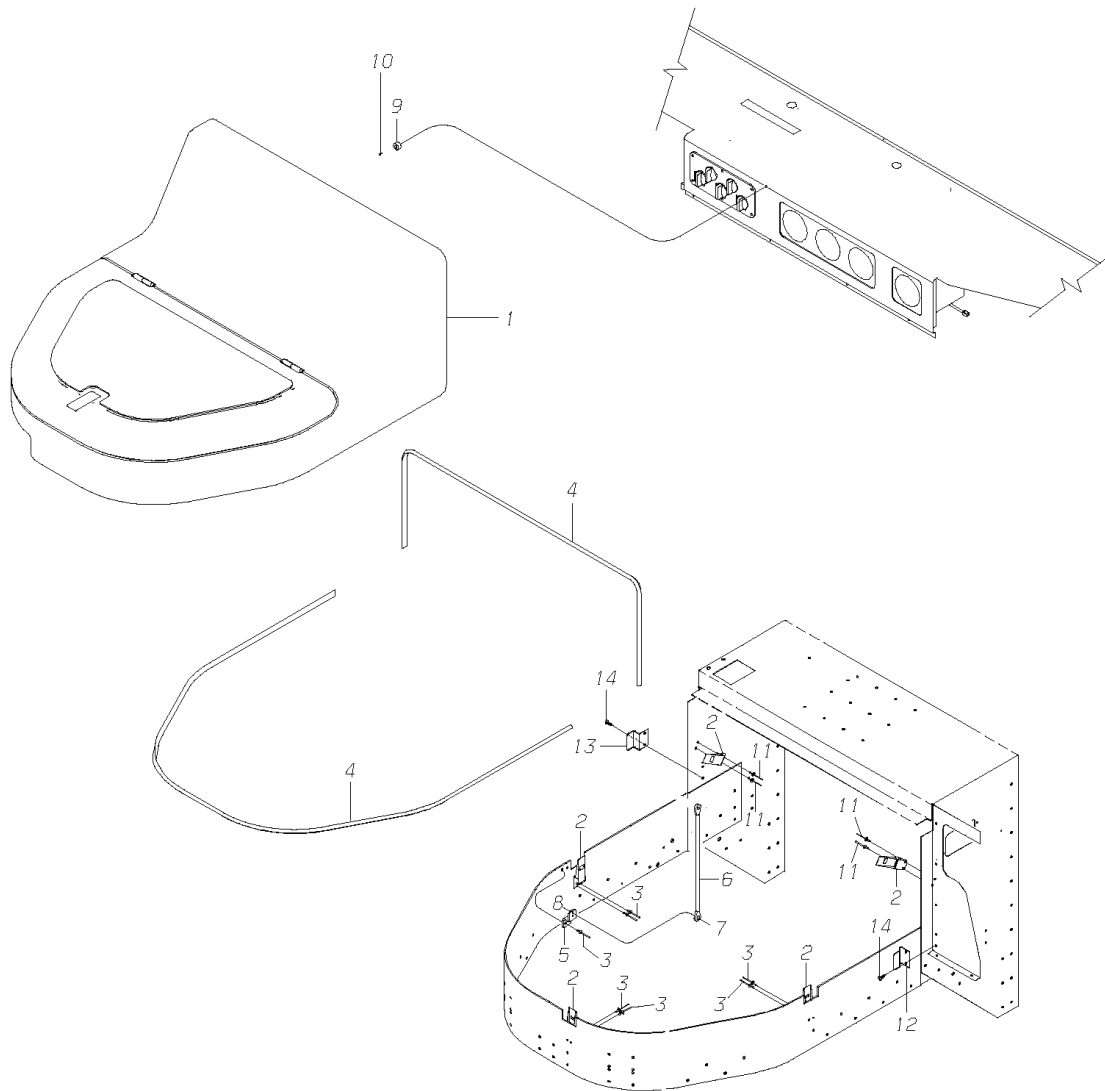
Key	PartNumber	Qty	Description	Comment
1	0034747		PANEL,ROOF CAP,FRONT CS	
2	1787886		PANEL ASSY,ACCESS,FRONT UPPER INNER,CS	
3	0056965		BOX,GLOVE COMPARTMENT	
4	1882059		PANEL,ROOF,O/S FRT,RH EXTENSION	
5	1561620		MOLDING,DRIP,ENTRANCE DOOR,36.75,TC	
6	1581420	5	LIGHT ASSY, CLERANCE, AMBER, LENS	
7	1713874		PANEL,HEADLINING,FRONT,CS	
8	1724111		MOLDING,WIRE,35.00 SECTION,CS	
9	1640069		PANEL,O/S,DRV'S,36.75 TSW,77 HR,FMVSS221	
NI	1555127		PANEL,I/S,DRV,36.75,TSW,77HR,FMVSS221,TC	
10	1657881	2	LIGHT ASSY,DIRECTIONAL,HELLA,AMBER	
11	0062787		PANEL ASSY,ACCESS,FRT,20.09 BELT BAR,RH,	
12	1657345	2	BRACKET,MTG,FRONT DIRECTIONAL LIGHTS	
13	1518158	4	NUT,HEX HD,1/4-28,LOCKING,YEL ZN DICH	
14	0062788		PANEL ASSY,ACS,FRT,20.09 BELT BAR,LH, C3FE	
15	0059015		FRONT ASSY,2 PIECE CURVED FRONT, SCFE	
16	1649904		HEADER ASSY,ENTRANCE DOOR	
18	1683770		BOW ASSY,94.50,77 HR	
21	1919836		PANEL,SUPPORT,FRONT,FIBERGLASS CAP, CS	
22	0040153	2	SUPPORT,HEADLINING,FRONT SECTION, CS	
NI	0527275	10	SCREW,10-16 X 3/8,AB,PH1,PAN,YEL ZINC	
NI	1693407		FASTENER,HUCK,.25,BLIND,MAGNABULB,MBP-	
NI	0028212		PANEL ASSY,DRIVERS,STATIONARY	

Models: C3FE
FRONT

Key	PartNumber	Qty	Description	Comment
NI	0004176		DOOR ASSY,GLOVE COMPARTMENT	

Models: C3FE
 FRONT
 ENGINE HOOD
 INSTALLATION
 With: FEATURE 40360-01

Key	PartNumber	Qty	Description	Comment
-----	------------	-----	-------------	---------




Models: C3FE
**FRONT
 ENGINE HOOD
 INSTALLATION**
With: FEATURE 40360-01

Key	PartNumber	Qty	Description	Comment
1	0031631		HOOD ASSY,ENGINE COVER,ISB,W/O PLYWOOD	FEATURE 40177, ISB, WITHOUT PLYWOOD
1	0031632		HOOD ASSY,ENGINE COVER,ISB,W/PLYWOOD	FEATURE 40177,ISB, WITH PLYWOOD
1	0031637		HOOD ASSY,ENGINE COVER,ISC,W/O PLYWOOD	FEATURE 40184, ISC, WITHOUT PLYWOOD
1	0031638		HOOD ASSY,ENGINE COVER,ISC,W/PLYWOOD	FEATURE 40184,ISC, WITH PLYWOOD
2	2088623	5	LATCH ASSY,ENGINE HOOD SOUTHCO 91 562	
3	1941913	6	RIVET,.156,CHERRY,SSP-5-4	ISC HOOD ONLY
4	3943925	17.	SEAL,WINDOW,.50 X .375,QB	
5	0009582		BRACKET,MTG,STRAP,ENGINE COVER,HDFE	ISC HOOD ONLY
6	0007208		CABLE & EYE ASSY,ENGINE COVER,ISC,HDFE	ISC HOOD ONLY
7	2000750	2	SCREW,MACH,10-24 X 1/2,PH1,RD HD,YEL	ISC HOOD ONLY
8	1469287	2	NUT,HEX,10-24,ELASTIC LOCKNUT,YEL ZN DICH	ISC HOOD ONLY
11	0542019	6	RIVET,LONG CHERRY,7355-100-6-8	
12	0008385		CLIP,ENGINE HOOD,RH,HDFE	
13	0008366		CLIP,ENGINE HOOD,LH,HDFE	
14	1589522	4	SCREW,10-16 X 3/4,AB,PH1,PAN HD,YEL ZN	

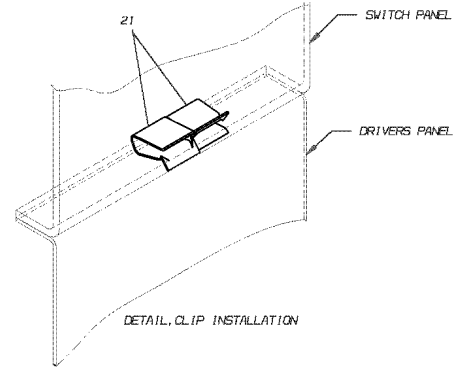
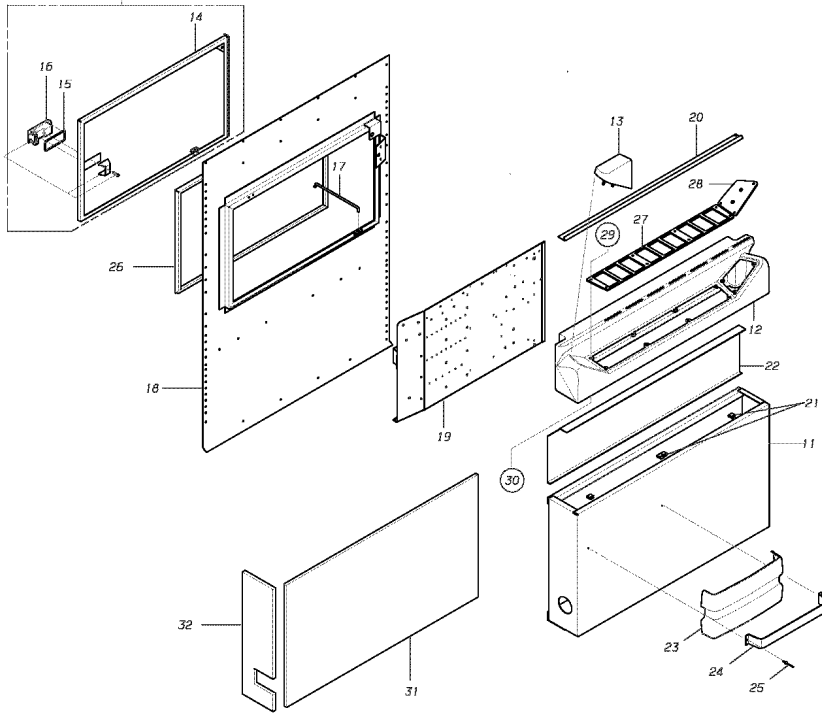
Models: C3FE
FRONT
LH DRIVER'S AREA

Key	PartNumber	Qty	Description	Comment
-----	------------	-----	-------------	---------

DR. 10/15/03	BY: TR	00553041	D	
APP.	BY: FRT	REV	REV	

© BLUE BIRD BODY COMPANY. ALL RIGHTS RESERVED

SEE DIAGRAM #0027936



Models: C3FE
FRONT
LH DRIVER'S AREA

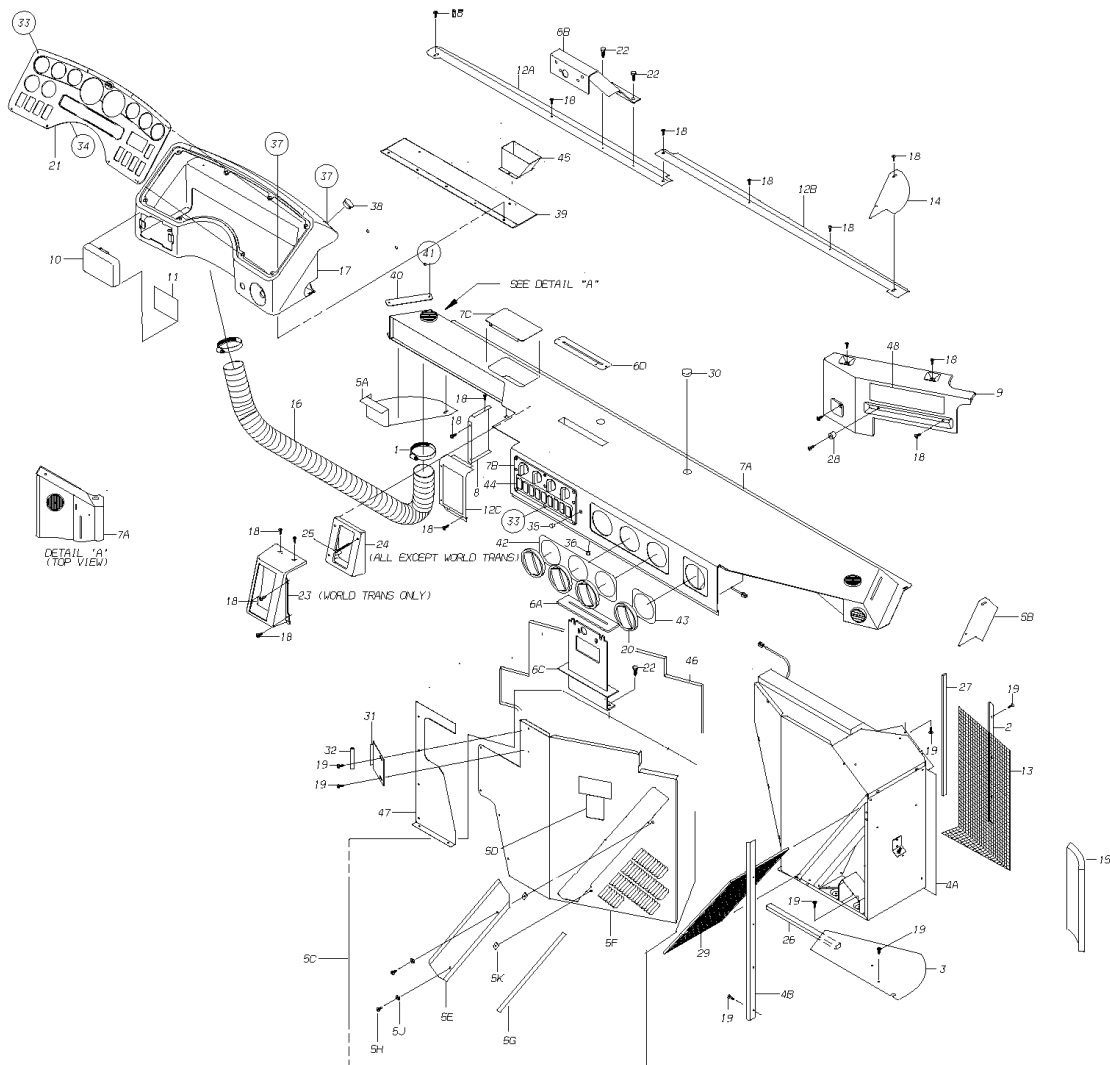
Key	PartNumber	Qty	Description	Comment
7	0659979		NUT,HEX,FLANGE SER,1/4-20,BLACK ZINC	
11	0028212		PANEL ASSY,DRIVERS,STATIONARY	
12	0025577		HOUSING,DRIVERS SWITCH CONSOLE	
13	0030285		ARMREST,TRANSIT SWITCH PANEL	
14	0025512		DOOR ASSY,ELECTRICAL ACCESS,,CV/TRANSIT	
15	0027420		GASKET,ADJUSTABLE LEVER,SEALED	
16	0027417		LATCH,ADJUSTABLE LEVER,SEALED	
16	0027419		LATCH,ADJUSTABLE LEVER,SEALED,LOCKING	LOCKING. FEATURE 30921-02
17	1542034		PROP,DOOR,ELECTRICAL ACCESS,AA/TC	
18	0080550		PANEL ASSY,O/S,DRV,25.75 SKT,16 GA, A3	WITH FEATURE 02385-00
18	0090752		PANEL ASSY,O/S,DRV,25.75 SK,16 GA,SMOOTH	WITH FEATURE 02385-01
19	0025907		PANEL ASSY,ELEC LOAD CENTER,CV & TRANSIT	
20	0028956		TRIM,DRIVERS WINDOW LOWER INSIDE,	
20	0034992		TRIM,DRIVERS WINDOW,LOWER I/S,W/TSW,	
21	0031766		CLIP,PANEL, 3/16	
22	0028954		CHANNEL,DRIVERS WINDOW SUPT,LH DRV,	
23	1330554		COMPARTMENT,UTILITY,DRIVERS AREA,AARE	
24	1331891		STRAP,UTILITY COMPARTMENT MOUNT,AARE	
25	1415769		RIVET,POP,.18 X .45,CHERRY SSPS-6-4	
26	1539659		GASKET,ELECTRICAL BOX ACCESS DOOR,AA/TC	
	4763284		SEAL,RBR,EPDM,RIBBED,.315X.563,ADH BACK	
27	0030126		PANEL ASSY,SWITCH,DRIVER SI,W/COMP, CS	
28	0031485		PANEL,W/S WIPER,LHD,FEA 3444-01 & 3444-03	

Models: C3FE
FRONT
LH DRIVER'S AREA

Key	PartNumber	Qty	Description	Comment
29	1315100		SCREW,MACH,10-32X1,PHI,PAN HD,BLK	
30	1315118		WELLNUT Q-1032,.377 X 5/8	
31	0034896		INSULATION,SIDE,STATIONARY DRV PNL,	
32	0034899		INSULATION,REAR,STATIONARY DRV PNL,	

**Models: C3FE
FRONT DASH
INSTALLATION
WITH MANUAL DOOR CONTROL**

Key	PartNumber	Qty	Description	Comment
-----	------------	-----	-------------	---------



**Models: C3FE
FRONT DASH
INSTALLATION
WITH MANUAL DOOR CONTROL**

Key	PartNumber	Qty	Description	Comment
1	1572304	2	CLAMP,HOSE,SIZE 36,UNLINED,2.75	
2	1532910		ANGLE,SCREEN RET,HTR AIR INTAKE	
3	0010683		PANEL,CLOSEOUT,HEATER TO COWL,DRFL	
4	0015279		HEATER ASSY,TRANSIT MAIN,PIA,VERT FEED	
4A			HEATER ASSEMBLY	
4B	0031090		ANGLE,FRONT CORNER HEATER TC2000	
5	0015274		KIT,DASH & HEATER COVER,A3FE	
5A			TRIM, LH FRONT	
5B			TRIM, RH	
5C			COVR ASSEMBLY	
5D	4316402		PLATE, ID HEATER CV KYSOR WESTRAN 342384	
5E			COVER, FILTER	
5F			PANEL, INTERIOR	
5G	4316550	AR	RUBBER, .25 X .50 HEATER CV KYSOR	
5H	0035467	2	FASTENER, KYSOR 290378, FRT HTR	
5J	0035468	2	RETAINER, KYSOR 290343, FRT HTR	
5K	0035469	2	NUT-SPEED, KYSOR 290241, FRT HTR	
6	0031450		KIT,MANUAL DOOR CONTROL BRACKETS	
6A			SEAL, DOOR	
6B			BRACKET, FRONT, MED GRAY	
6C			BRACKET, REAR, MED GRAY	
6D			PLATE, COVER, MED GRAY	
7	0028724		DUCT ASSY,DEF,WITH MOUNTED CONTROLS	

**Models: C3FE
FRONT DASH
INSTALLATION
WITH MANUAL DOOR CONTROL**

Key	PartNumber	Qty	Description	Comment
7A			DUCT ASSEMBLY	
7B	0037588		CONTROL ASSY, TRANSIT 250263	SEE DRAWING 2502631
7C	0030465		TRIM,ACCESS OPENING,FOOTWARMER DOOR	
8	1528561		PANEL,DASH,END CAP	
9	0031645		COVER,DASH,RH REAR,TC/A3	
10	0017276		COVER,FUSE BLOCK W/O CIRCUIT BREAKERS	
11	0041799		DECAL,FUSE BLOCK	
12	0032833		KIT,TRIM,DASH W/STD AUTO SHIFTER,2CF,A3	WITH STANDARD AUTOMATIC TRANS
12			TRIM, LH BELT BAR	
12			TRIM, RH BELT BAR	
12			PANEL, SHIFTER, MED GRAY	
12	1913847		KIT,TRIM,DASH W/PUSH BUTTON SHIFTER,2CF	
12			TRIM, LH BELT BAR	
12			TRIM, RH BELT BAR	
13	1532902		SCREEN,HTR AIR INTAKE,TCFC/RE	
14	1925759		TRIM,RH FRONT CORNER OF DASH,TCFE/RE	
15	1532936		INSULATION & SEAL,RH COWL	
16	1508381		HOSE,FLEXIBLE,DUCT,2.50X28.00	
17	0031025		HOUSING,PANEL ASSY,INSTRUMENT,2001	
18	1143676	25	SCREW,10-16 X 3/4, AB,PH1,PAN HD,BLK ZN,	
19	1589522	30	SCREW,10-16 X 3/4,AB,PH1,PAN HD,YEL ZN	
20	0530253	4	DIFFUSER,AIR,BLACK,MB	
21	0026348		PANEL ASSY,INSTRUMENT,BLK W/GRAY,	

**Models: C3FE
FRONT DASH
INSTALLATION
WITH MANUAL DOOR CONTROL**

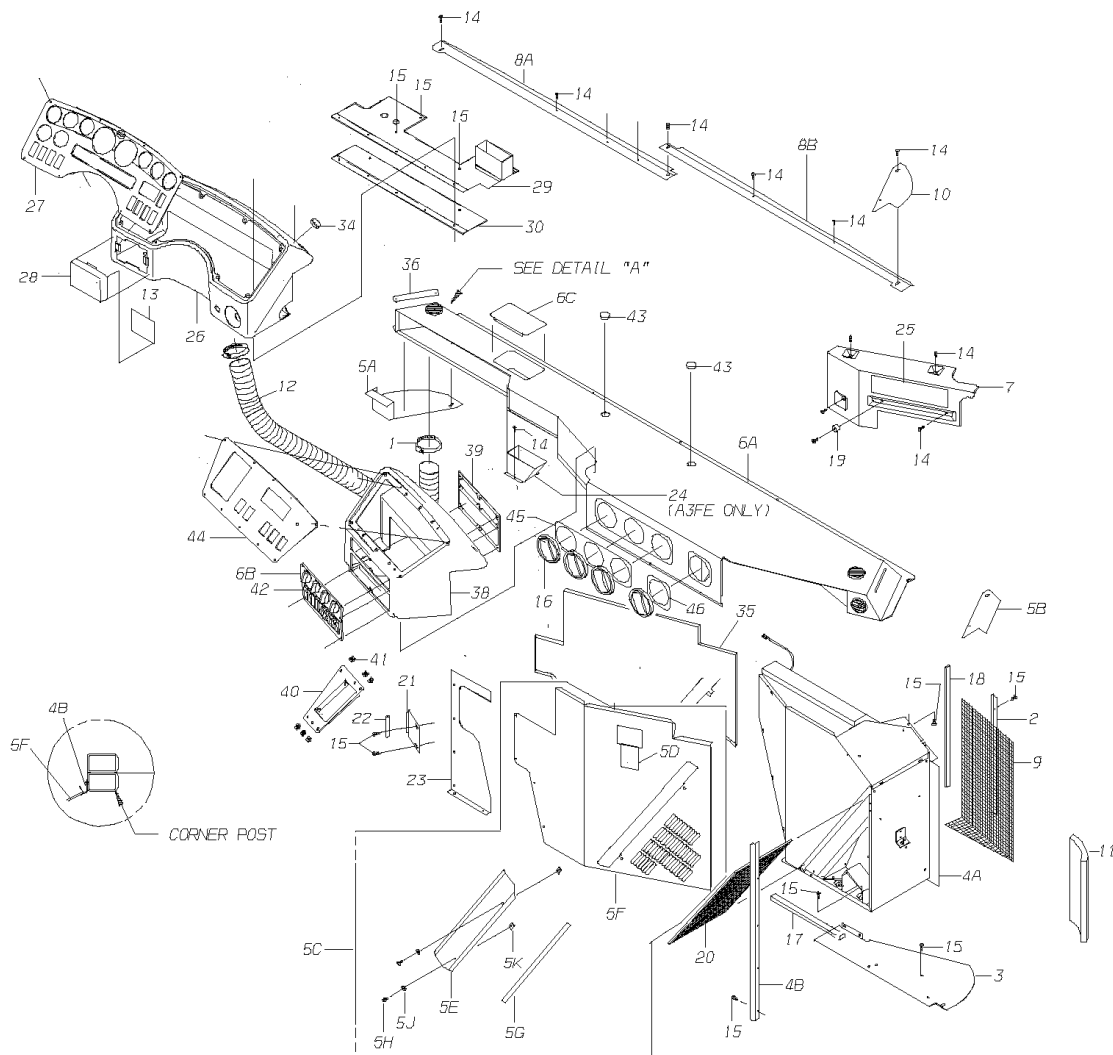
Key	PartNumber	Qty	Description	Comment
22	2000198	4	SCREW,5/16-18 X 1,D,HEX HD,YEL ZN DICH	
23	0035231		BEZEL,SHIFTER,KEYPAD,A3/TC	KEYPAD
24	1528579		COVER,SHIFTER	
25	1557693	4	SCREW,10-16 X 2-1/2,AB,PH1,TRUSS HD, BLK	
26	0830059	12	TAPE,FOAM,1/2X3/4,CLSD CELL NEOPRENE ADH	
27	0758292		TAPE,FOAM,PCV,3/16 X 3/8 WIDTH,W/ADH	
28	1486919		BUMPER,RUBBER RECESS,.469 X .719 DIA	
29	1922384		FILTER,MAIN HTR,10 X 21.06 X.43 FRM	
30	1351071		PLUG,BUTTON,BLACK,DP-1000 HEYCO 2713	
31	0000059		BRACKET,HEATER PANEL TO DUCT	
32	2004547	AR	TRIM,INSTRUMENT HOOD,VINYL EDGE,BLACK	
33	1315100	8	SCREW,MACH,10-32X1,PHI,PAN HD,BLK	
34	1315118	8	WELLNUT Q-1032,.377 X 5/8	
35	1422864		PLUG,BUTTON,BLACK,DP-437,HEYCO 2633	
36	1626159		PLUG,BUTTON,BLACK,DP-375,HEYCO 2617	
37	0017645	5	SCREW,1/4-20 X.75,TYPE F W/WSHR,PAN HD,	WITHOUT OPTION 1240
38	0017694	2	PLUG,PRY-OUT,.875 HOLE,HEYCO 3083	WITHOUT OPTION 1240
39	0016389		CABINET,MEDICINE,VANITY,LAMINATE,LX2000D	
40	0000852		TAG,VEHICLE IDENTIFICATION NUMBER,.032	
41	0422915	2	RIVET,1/8 DIA,ALUMINUM,W/ST STEM	
42	0031699		DECAL,INSERT,HEATER DIFFUSER,DASH,3-	
43	0031700		DECAL,INSERT,HEATER DIFFUSER,DASH,1-	
44	0028949		PANEL ASSY,SWITCH,AUX HEATERS,W/CMPS	

Models: C3FE
FRONT DASH
INSTALLATION
WITH MANUAL DOOR CONTROL

Key	PartNumber	Qty	Description	Comment
45	0011217		DUCT,DRIVERS FOOTWARMER, A3FE	
46	0008386		INSULATION,THERMAL,HEATER COVER, A3FE	
47	0005256		PANEL,HEATER TO ENGINE HOOD, HDPE	
48	0000100		NAMEPLATE,DASH,ALL AMERICAN	
48	0000101		NAMEPLATE,DASH,CANADIAN	

**Models: C3FE
FRONT DASH
INSTALLATION
WITH POWER DOOR CONTROL**

Key	PartNumber	Qty	Description	Comment
-----	------------	-----	-------------	---------



Models: C3FE
**FRONT DASH
 INSTALLATION
 WITH POWER DOOR CONTROL**

Key	PartNumber	Qty	Description	Comment
1	1572304	2	CLAMP,HOSE,SIZE 36,UNLINED,2.75	
2	1532910		ANGLE,SCREEN RET,HTR AIR INTAKE	
3	0010683		PANEL,CLOSEOUT,HEATER TO COWL,DRFL	
4	0015279		HEATER ASSY,TRANSIT MAIN,PIA,VERT FEED	
4A			HEATER ASSEMBLY	
4B			ANGLE, FRONT COVER	
5	0015274		KIT,DASH & HEATER COVER,A3FE	
5A			TRIM, LH HEATER	
5B			TRIM, RH	
5C			COVER ASSEMBLY	
5D	4316402		PLATE, ID HEATER CV KYSOR WESTRAN 342384	
5E			COVER, FILTER	
5F			PANEL, INTERIOR	
5G	4316550		RUBBER, .25 X .50 HEATER CV KYSOR	
5H	0035467		FASTENER, KYSOR 290378, FRT HTR	
5J	0035468		RETAINER, KYSOR 290343, FRT HTR	
5K	0035469		NUT-SPEED, KYSOR 290241, FRT HTR	
6	0028726		DUCT ASSY,DEF,WITH UNMOUNTED CONTROLS	
6A			DUCT ASSEMBLY	
6B			CONTROL ASSEMBLY	
6C	0030465		TRIM,ACCESS OPENING,FOOTWARMER DOOR	
7	0031645		COVER,DASH,RH REAR,TC/A3	
8	1913847		KIT,TRIM,DASH W/PUSH BUTTON SHIFTER,2CF	

Models: C3FE
**FRONT DASH
 INSTALLATION
 WITH POWER DOOR CONTROL**

Key	PartNumber	Qty	Description	Comment
8A			TRIM, LH BELT BAR	
8B			TRIM, RH BELT BAR	
9	1532902		SCREEN,HTR AIR INTAKE,TCFC/RE	
10	1925759		TRIM,RH FRONT CORNER OF DASH,TCFE/RE	
11	1532936		INSULATION & SEAL,RH COWL	
12	1508381		HOSE,FLEXIBLE,DUCT,2.50X28.00	
13	0041799		DECAL,FUSE BLOCK	
14	1143676	15	SCREW,10-16 X 3/4, AB,PH1,PAN HD,BLK ZN,	
15	1589522	30	SCREW,10-16 X 3/4,AB,PH1,PAN HD,YEL ZN	
16	0530253	4	DIFFUSER,AIR,BLACK,MB	
17	0830059	1	TAPE,FOAM,1/2X3/4,CLSD CELL NEOPRENE ADH	
18	0758292		TAPE,FOAM,PCV,3/16 X 3/8 WIDTH,W/ADH	
19	1486919		BUMPER,RUBBER RECESS,.469 X .719 DIA	
20	0045624		FILTER,HEATER,MAIN,10 X 20 X 1,SERIES 55	
21	0000059		BRACKET,HEATER PANEL TO DUCT	
22	2004547		TRIM,INSTRUMENT HOOD,VINYL EDGE,BLACK	
23	0005256		PANEL,HEATER TO ENGINE HOOD, HDPE	
24	0011217		DUCT,DRIVERS FOOTWARMER, A3FE	
25	0000100		NAMEPLATE,DASH,ALL AMERICAN	
25	0000101		NAMEPLATE,DASH,CANADIAN	
26	0031025		HOUSING,PANEL ASSY,INSTRUMENT,2001	
27	0026348		PANEL ASSY,INSTRUMENT,BLK W/GRAY,	
28	0017276		COVER,FUSE BLOCK W/O CIRCUIT BREAKERS	

Models: C3FE
**FRONT DASH
 INSTALLATION
 WITH POWER DOOR CONTROL**

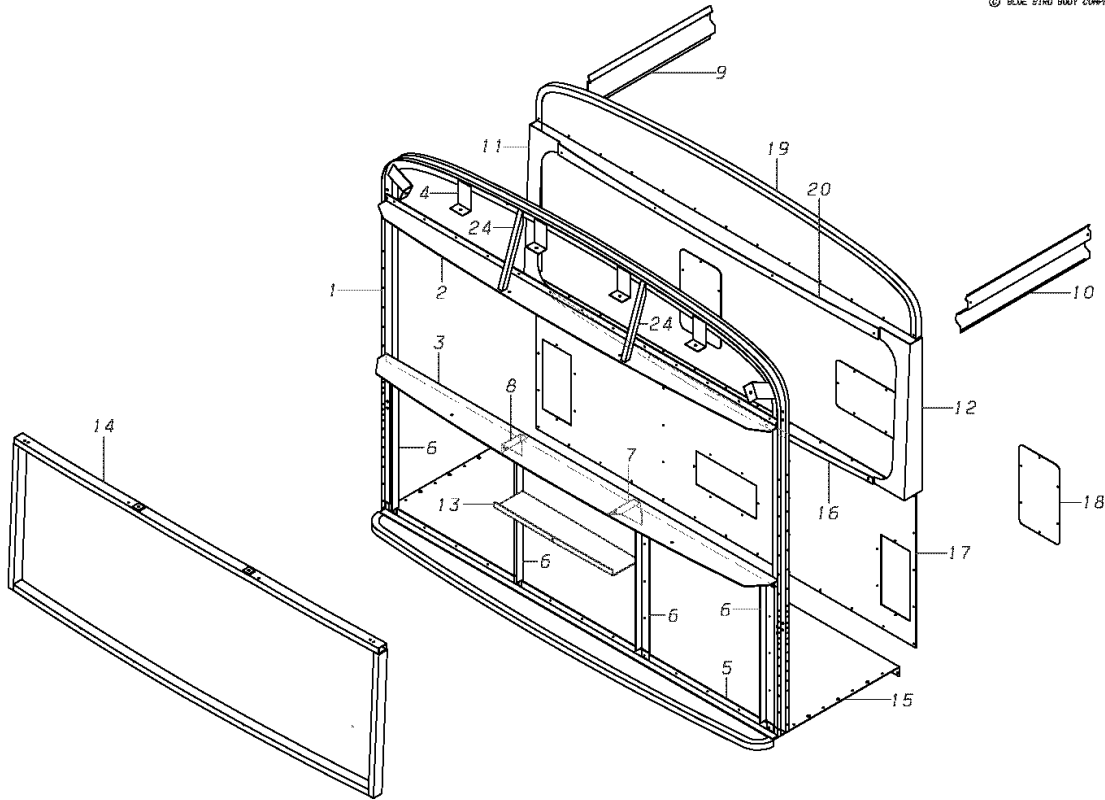
Key	PartNumber	Qty	Description	Comment
29	0016854		PLATE ASSY,MOUNTING,DASH HOUSING	
30	0016369		PLATE,MOUNTING,INSTRUMENT HOUSING,,	
31	1315100	29	SCREW,MACH,10-32X1,PHI,PAN HD,BLK	
32	1315118	14	WELLNUT Q-1032,.377 X 5/8	
33	0017645	8	SCREW,1/4-20 X.75,TYPE F W/WSHR,PAN HD,	
34	0017694	4	PLUG,PRY-OUT,.875 HOLE,HEYCO 3083	
35	0008386		INSULATION,THERMAL,HEATER COVER, A3FE	
36	0000852		TAG,VEHICLE IDENTIFICATION NUMBER,.032	
37	0422915	2	RIVET,1/8 DIA,ALUMINUM,W/ST STEM	
38	0025579		HOUSING,VEHICLE CONTROL COMPONENTS	
39	0028997		PLATE,REINFORCEMENT,HTR SWITCH PNL,A3	
40	0023394		PANEL,MTG,SHIFT SELECTOR TO HOUSING,LH	
41	0025522		U-NUT,10-32	
42	0028949		PANEL ASSY,SWITCH,AUX HEATERS,W/CMPS	
43	1351071	2	PLUG,BUTTON,BLACK,DP-1000 HEYCO 2713	
44	0027358		PANEL ASSY,SWITCH,SHIFTER,	
44	0030779		PANEL ASSY,SWITCH,SHIFTER,W/COMP,	
45	0031699		DECAL,INSERT,HEATER DIFFUSER,DASH,3-	
46	0031700		DECAL,INSERT,HEATER DIFFUSER,DASH,1-	
47	0033684	4	SCREW,10-16 X 3/4,AB,PHI,PN/HD,BZDICH,	

Models: C3FE
REAR

Key	PartNumber	Qty	Description	Comment
-----	------------	-----	-------------	---------

DR. 1/20/95 BY DB	1652015	D	REV
APP. 1/20/95 BY PF			

© BLUE BIRD BODY COMPANY. ALL RIGHTS RESERVED



Models: C3FE
REAR

Key	PartNumber	Qty	Description	Comment
1	1634153		BOW,94.50,77 HEADROOM	
2	1648815		PANEL,SHELF,UPPER,REAR STRUCTURE, CSFE	
3	1648807		PANEL,SHELF,LOWER,REAR STRUCTURE, CS	
4	1651983	5	BRACKET,ATTACHING,REAR UPPER INNER,	
5	1652023		ANGLE,FLOOR,CLOSEOUT,REAR STRUCTURE,	
6	1652031	4	BRACE,VERTICAL,REAR,LOWER SHELF, TQFC	
7	1652148		GUSSET,SUPPORT,RH,LOWER SHELF, TQFC	
8	1652130		GUSSET,SUPPORT,LH,LOWER SHELF, TQFC	
11	1782408		PANEL,TRIM,LH,REAR,REAR WINDOW, TQFC	
12	1782390		PANEL,TRIM,RH,REAR,REAR WINDOW, CS	
13	1653054		PANEL,SHELF,FIBERGLASS REINFORCEMENT,	
14	1652049		FRAME ASSY,WINDOW,REAR STRUCTURE, TQFC	
15	0026598		PANEL ASSY,FLOOR,REAR,35.25, CSFE	
16	1652106		PANEL,TRIM,LOWER,REAR WINDOW, TQFC	
17	1652064		PANEL,CLOSEOUT,REAR,LOWER, TQFC	
18	1652072	3	COVER,LIGHT,REAR CLOSEOUT PANEL, TQFC	
19	1652114		PANEL ASSY,REAR UPPER INNER, TQFC	
20	1782382		PANEL,TRIM,UPPER,REAR WINDOW, CS	
NI	1415769	67	RIVET,POP,.18 X .45,CHERRY SSPS-6-4	
NI	2000198	6	SCREW,5/16-18 X 1,D,HEX HD,YEL ZN DICH	
NI	1164821	18	SCREW,10-16 X 3/4,AB,PH1,TRUSS HD, YEL ZN	
24	1677137	2	BRACE,REAR SHELF TO BOW	
25	1351071	2	PLUG,BUTTON,BLACK,DP-1000 HEYCO 2713	