

Body

350 Doors

ENTRANCE

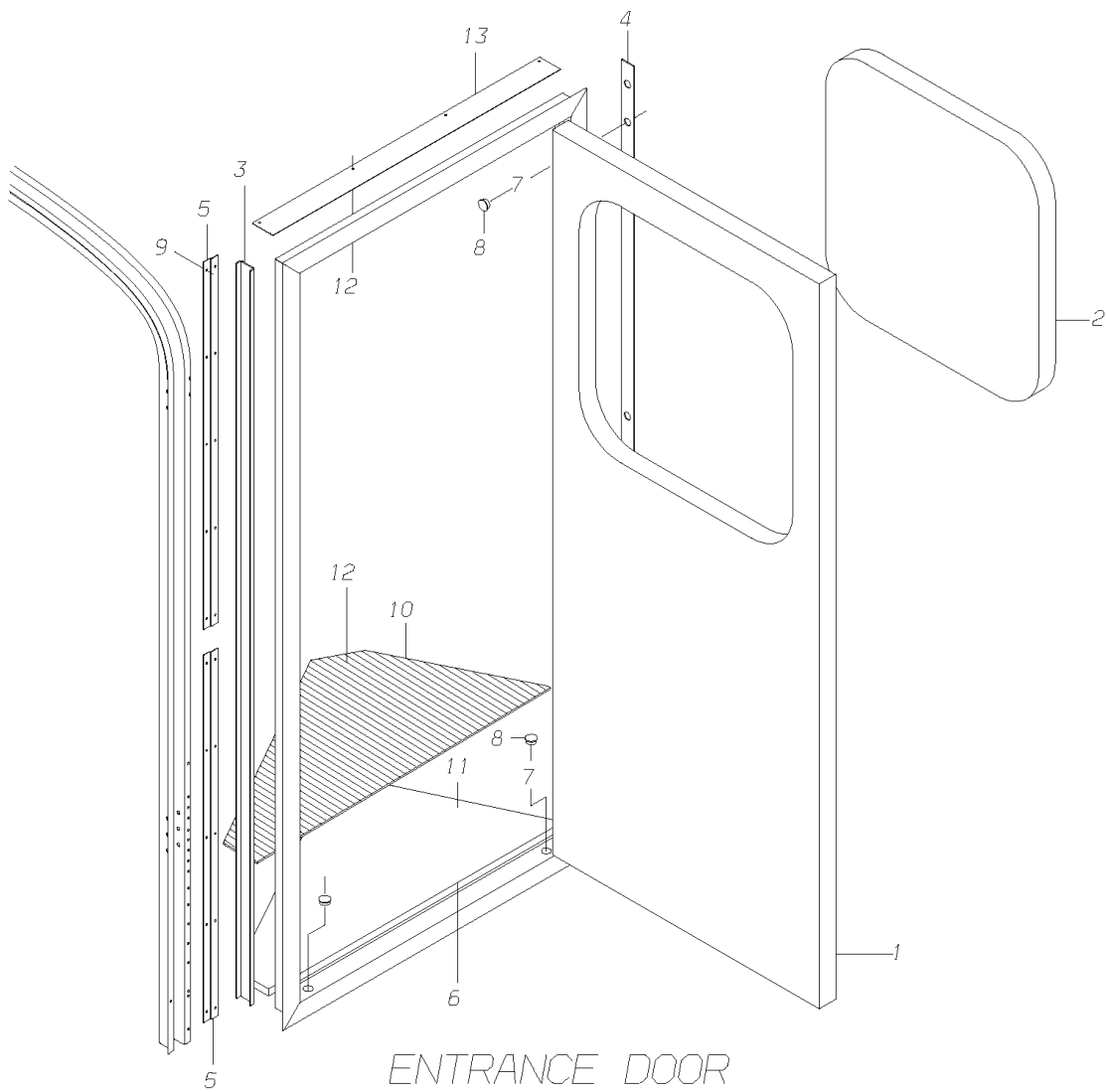
With: FEATURE 30977-06 _____ 1

EXIT

With: OPTION 07372-01 _____ 2

Models: C3FE
ENTRANCE
With: FEATURE 30977-06

Key	PartNumber	Qty	Description	Comment
-----	------------	-----	-------------	---------



ENTRANCE DOOR

Models: C3FE
With: ENTRANCE
 FEATURE 30977-06

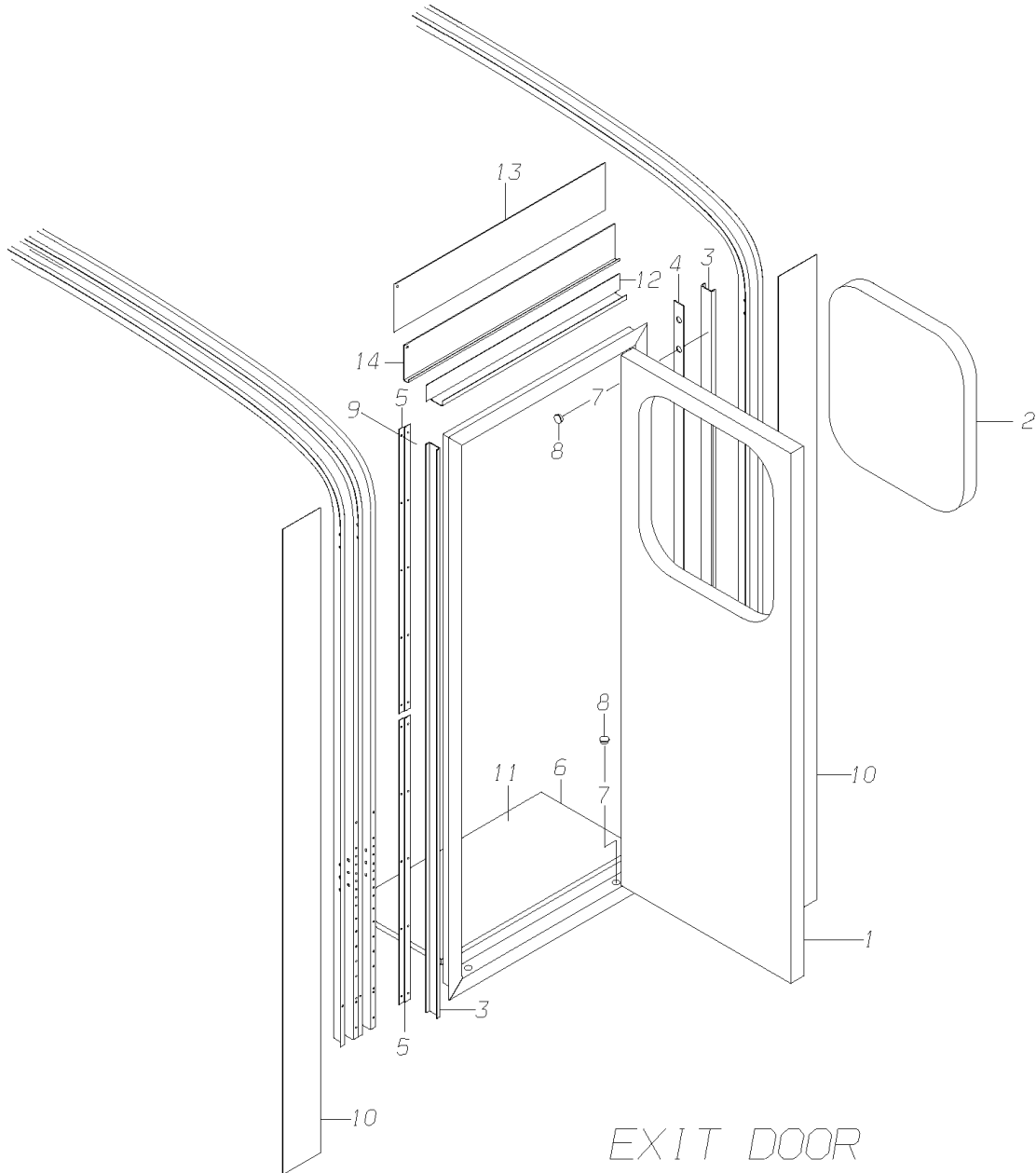
Key	PartNumber	Qty	Description	Comment
1	0063248		DOOR ASSY,ENTRANCE,AVIONICS STRUCTURES	
	0085866		FRAME,DOOR,ENTRANCE,AVIONICS (0063248)	
	0086375		ROD,HINGE,DOOR,AVIONIC,1/4",STAINLESS	
	0086376		BLOCK,HINGE,DOOR,AVIONIC,2 1/2"	
	0070660		LOCK ASSY,DEADBOLT,W/2 KEYS,AVIONICS"	<i>WITH 2 KEYS, AVIONICS</i>
	0070532		TRIM,INTERIOR,8' LENGTH,AVIONICS	
	0070534		TRIM,EXTERIOR,PRESS-IN,82"LENGTH,	
	0070599		WEBBING,NYLON,DOOR STOP ASSY,AVIONICS"	
	0070577		SEAL,WEATHER,DOOR,AVIONICS,(20' LENGTH)"	<i>20' LENGTH</i>
	0070533		LATCH ASSY,DOOR,AVIONIC,(INCLUDES	<i>INCLUDES LINKAGE RODS</i>
	0071024		HANDLE,I/S,INCLUDES PULL LATCH & TRIM,	<i>INCLUDES PULL LATCH & TRIM0070533</i>
2	0063287		WINDOW ASSY,DOOR,ENTRANCE,HEHR,C3FE"	
3	0066336		CHANNEL,MTG,EXIT DOOR,C3FE	
4	0064252		SPACER,FRONT,FRONT ENTRANCE DOOR,C3FE	
5	0064256	2	BRACKET,MTG,REAR,FRONT ENTRANCE DOOR,	
6	0064262		PLYWOOD,LOWER STEP,FRONT ENTRANCE	
7	2000198	7	SCREW,5/16-18 X 1,D,HEX HD,YEL ZN DICH	
8	0016655	7	PLUG,BUTTON,BLACK,G-875,HEYCO 2700	
9	1693407	18	FASTENER,HUCK,.25,BLIND,MAGNABULB,MBP-	
10	0064267		STEPTREAD,LOWER STEP,BLACK,FRT ENT DR,	
NI	0006510		STEPTREAD,U/STEP,O/O DOOR,BLK,RBR, DRFL	
NI	0006593		STEPTREAD,M/STEP,O/O DOOR,BLK,RBR, DRFL	
11	6012553	8	SCREW,10-16X1-1/4,AB,PH1,FLT CNSK,YEL,	

Models: C3FE
ENTRANCE
With: FEATURE 30977-06

Key	PartNumber	Qty	Description	Comment
12	1143676	12	SCREW,10-16 X 3/4, AB,PH1,PAN HD,BLK ZN,	
13	0065873		PLATE,COVER,TOP,ENTRANCE DOOR, C3FE	
NI	0862953		SEALANT,SCHNEE-MOREHEAD 5522,VINYL	
NI	2000073	4	SCREW,1/4-20 X 1,D,HEX HD,YEL ZN DICH	
NI	1542372	4	CAPSCREW,HEX FLG,1/4-20X.75,GRD5,BLACK	

Models: C3FE
EXIT
With: OPTION 07372-01

Key	PartNumber	Qty	Description	Comment
-----	------------	-----	-------------	---------



Models: C3FE
EXIT
With: OPTION 07372-01

Key	PartNumber	Qty	Description	Comment
1	0063249		DOOR ASSY,EXIT,AVIONICS STRUCTURES,C3FE	
	0069502		LOCK ASSY,DOOR,EXIT,W/2 KEYS,AVIONIC	<i>WITH 2 KEYS, AVIONIC</i>
	0069708		CYLINDER,LOCK,EXIT DOOR,W/2 KEYS,AVIONIC	<i>WITH 2 KEYS</i>
	0069706		HANDLE,DOOR,PADDLE,EXTERIOR,W/2 KEYS,	<i>WITH 2 KEYS</i>
	0070599		WEBBING,NYLON,DOOR STOP ASSY,AVIONICS"	
	0070577		SEAL,WEATHER,DOOR,AVIONICS,(20' LENGTH)"	<i>20' LENGTH</i>
	0070532		TRIM,INTERIOR,8' LENGTH,AVIONICS	
	0070534		TRIM,EXTERIOR,PRESS-IN,82""LENGTH,	
	0070660		LOCK ASSY,DEADBOLT,W/2 KEYS,AVIONICS"	<i>WITH 2 KEYS</i>
	0070533		LATCH ASSY,DOOR,AVIONIC,(INCLUDES	<i>INCLUDES LINKAGE RODS</i>
	0071024		HANDLE,I/S,INCLUDES PULL LATCH & TRIM,	<i>INCLUDES PULL LATCH & TRIM0070533</i>
2	0063288		WINDOW ASSY,DOOR,EXIT,HEHR,C3FE"	
3	0066336	2	CHANNEL,MTG,EXIT DOOR,C3FE	
4	0064252		SPACER,FRONT,FRONT ENTRANCE DOOR,C3FE	
5	0064256	2	BRACKET,MTG,REAR,FRONT ENTRANCE DOOR,	
6	0065874		PLYWOOD,LOWER STEP,EXIT DOOR,C3FE	
7	2000198	7	SCREW,5/16-18 X 1,D,HEX HD,YEL ZN DICH	
8	0016655	7	PLUG,BUTTON,BLACK,G-875,HEYCO 2700	
9	1693407	20	FASTENER,HUCK,.25,BLIND,MAGNABULB,MBP-	
10	0066705	2	PANEL,OUTSIDE,FRONT/REAR,EXIT DOOR, C3FE	
11	6012553	8	SCREW,10-16X1-1/4,AB,PH1,FLT CNSK,YEL,	
12	0064649		CHANNEL,UPPER,EXIT DOOR,C3FE	
13	0069205		PANEL,OUTSIDE,UPPER,EXIT DOOR, C3FE	

Models: C3FE
EXIT
With: OPTION 07372-01

Key	PartNumber	Qty	Description	Comment
14	0069206		MOLDING,DOOR,DRIP,EXIT DOOR, C3FE	
NI	0862953		SEALANT,SCHNEE-MOREHEAD 5522,VINYL	
NI	2000073	2	SCREW,1/4-20 X 1,D,HEX HD,YEL ZN DICH	
NI	1542372	4	CAPSCREW,HEX FLG,1/4-20X.75,GRD5,BLACK	