

**Body**

**360 Windows**

ENTRANCE, LIFT, AND REAR EMERGENCY DOOR/WINDOW  
REAR WINDOW

\_\_\_\_\_ 1

MISCELLANEOUS

GLASS

ENTRANCE AND EXIT DOOR

\_\_\_\_\_ 2

WINDSHIELDS

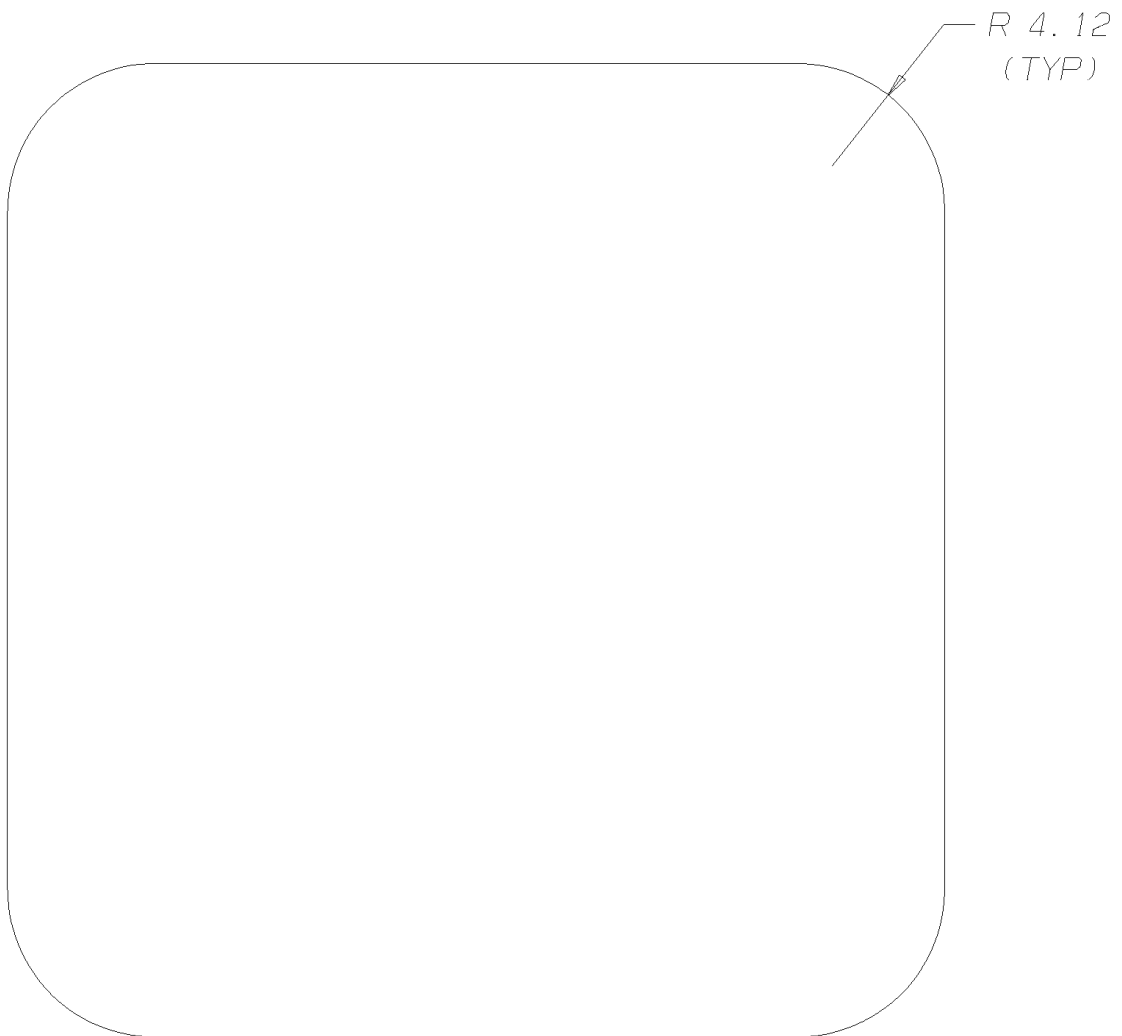
\_\_\_\_\_ 3

**Models:** C3FE  
ENTRANCE, LIFT, AND REAR EMERGENCY DOOR/WINDOW  
REAR WINDOW

Key	PartNumber	Qty	Description	Comment
NI	1925817		WINDOW,HEHR,REAR,CS/QB	
NI	3943925		SEAL,WINDOW,.50 X .375,QB	
NI	1925825		CLAMP RING,WINDOW,REAR,CS/QB	
NI	1652049		FRAME ASSY,WINDOW,REAR STRUCTURE, TQFC	
NI	1652049		FRAME ASSY,WINDOW,REAR STRUCTURE, TQFC	

**Models:** C3FE  
MISCELLANEOUS  
GLASS  
ENTRANCE AND EXIT DOOR

Key	PartNumber	Qty	Description	Comment
-----	------------	-----	-------------	---------



**Models:** C3FE  
MISCELLANEOUS  
GLASS  
ENTRANCE AND EXIT DOOR

Key	PartNumber	Qty	Description	Comment
			WINDOW ASSY, DOOR, HEHR	
	0063287		WINDOW ASSY,DOOR,ENTRANCE,HEHR,C3FE"	
	0063288		WINDOW ASSY,DOOR,EXIT,HEHR,C3FE"	

Models: A3FE, A3RE, C3FE, CSFE, CSRE, TCFE, TCRE  
WINDSHIELDS

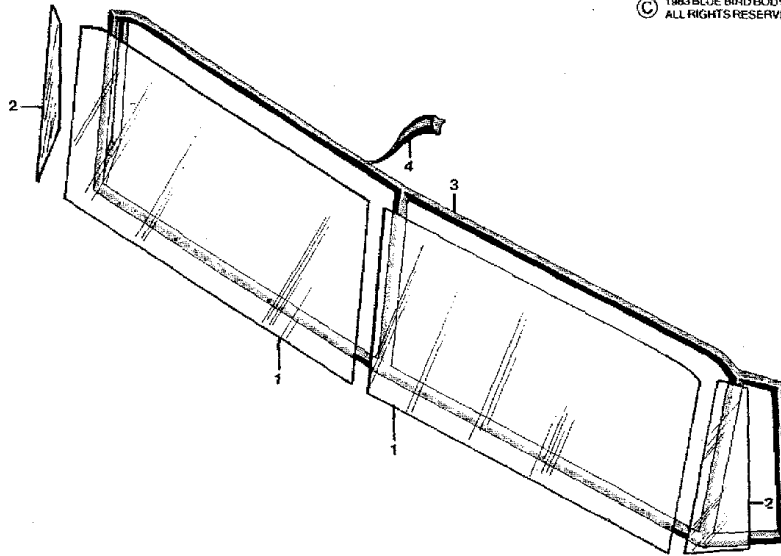
Key	PartNumber	Qty	Description	Comment
-----	------------	-----	-------------	---------

WINDSHIELDS

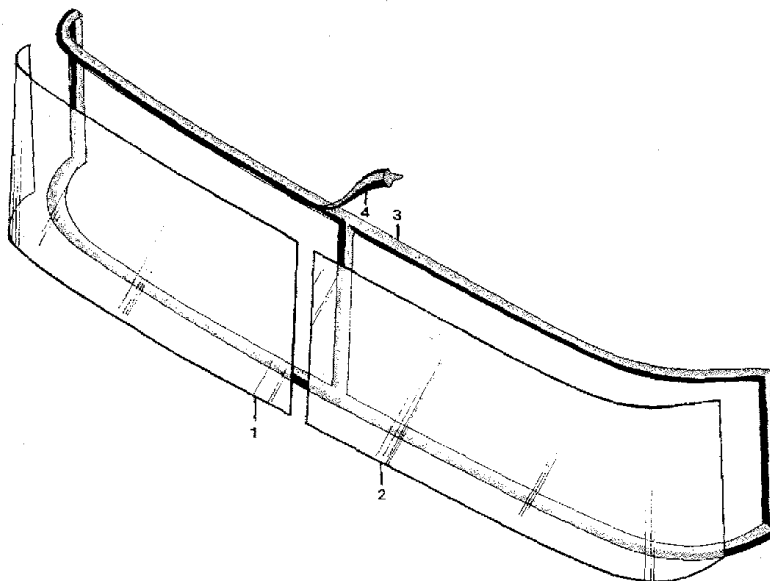
WINDSHIELD  
4 PIECE FLAT  
SBCV

DR	BY	8002503
APP	BY	

© 1983 BLUE BIRD BODY COMPANY  
ALL RIGHTS RESERVED



WINDSHIELD  
2 PIECE CURVED  
SBCV



Models: A3FE, A3RE, C3FE, CSFE, CSRE, TCFE, TCRE  
WINDSHIELDS

Key	PartNumber	Qty	Description	Comment
			4 PIECE FLAT	A3FE, A3RE, C3FE, TCFE, TCRE
1			GLASS, W/S, CENTER, SAFETY PLATE	
	1551258		GLASS,W/S,CNTR,4FF,CLEAR,20.09 BELT BAR	STANDARD CLEAR
	1551233		GLASS,W/S,CNTR,4FF,.265 AUTO TINT,20.09	OPTION 3316, TINTED
	1551241		GLASS,W/S,CNTR,4FF,.265 AUTO	OPTION 3318, SHADED
	0042933		GLASS,W/S,CNTR,4FF,.265 AUTO SHADED,	
2			GLASS, W/S, CORNER, SAFETY PLATE	
	1551266		GLASS,W/S,CORNER,4FF,.265,CLEAR,20.09	STANDARD CLEAR
	1532399		GLASS,W/S,CORNER,4FF,.265,AUTO	OPTION 3316, 3318, TINTED OR SHADED
	0042932		GLASS,W/S,CORNER,4FF,.265,AUTO TINT,	
3	1551167		RUBBER,WINDSHIELD SEAL,4FF,20.09 BELT	
4	0269373		FILLERSTRIP,GLAZING RUBBER	SPECIFY LENGTH IN FEET
			2 PIECE CURVED	A3FE, A3RE, C3FE, TCFE/CSFE, TCRE/CSRE
1			GLASS, W/S, CURVED, SAFETY PLATE, RH	
	1551183		GLASS,W/S,2CF,.265 AUTO TINT,RH,20.09	OPTION 3315, TINTED. STANDARD CSFE, C3FE
	1551209		GLASS,W/S,2CF,.265 AUTO TNT/SHD,	OPTION 3311, SHADED
2			GLASS, W/S CURVED, SAFETY PLATE, LH	
	1551191		GLASS,W/S,2CF,.265 AUTO TINT,LH,20.09	OPTION 3315, TINTED. STANDARD CSFE, C3FE
	1551217		GLASS,W/S,2CF,.265 AUTO TNT/SHD,	OPTION 3311, SHADED
3	1551159		RUBBER,WINDSHIELD SEAL,2CF,20.09 BELT	
4	0269373	25	FILLERSTRIP,GLAZING RUBBER	SPECIFY LENGTH IN FEET
NI	1566819		VENT ASSY,DRIVER'S,3.62 X 4.00,SALEM	