

**Body**

**370 Heaters**

DRIVER'S HEATER

*From BSN 182348* \_\_\_\_\_ 1

FRONT HEATER

HEATER ASSY

CONTROLS AND SWITCHES

*From BSN B10035320, F10020225, L10032855, M10041330, X10009290* \_\_\_\_\_ 2

CONTROL PANEL ASSEMBLY

*From BSN F10064340, F10035825, F20035860, L10059260, M10074850 1-22-01* \_\_\_\_\_ 3

DASH PANELS AND TRIM

*From BSN B10035320, F10020225, L10032855, M10041330, X10009290* \_\_\_\_\_ 4

PANELS AND BLOWER

*From BSN B10035320, F10020225, L10032855, M10041330, X10009290* \_\_\_\_\_ 5

HEATER INSTALLATION

DASH INSTALLATION & PANELS WITH MANUAL DOOR CONTROL

\_\_\_\_\_ 6

LH DRIVE

*From BSN F10035825, L10059260  
To BSN F10068989, L10133499* \_\_\_\_\_ 7

HEATER PIPING

ENGINE AREA

CONVECTION HEATING

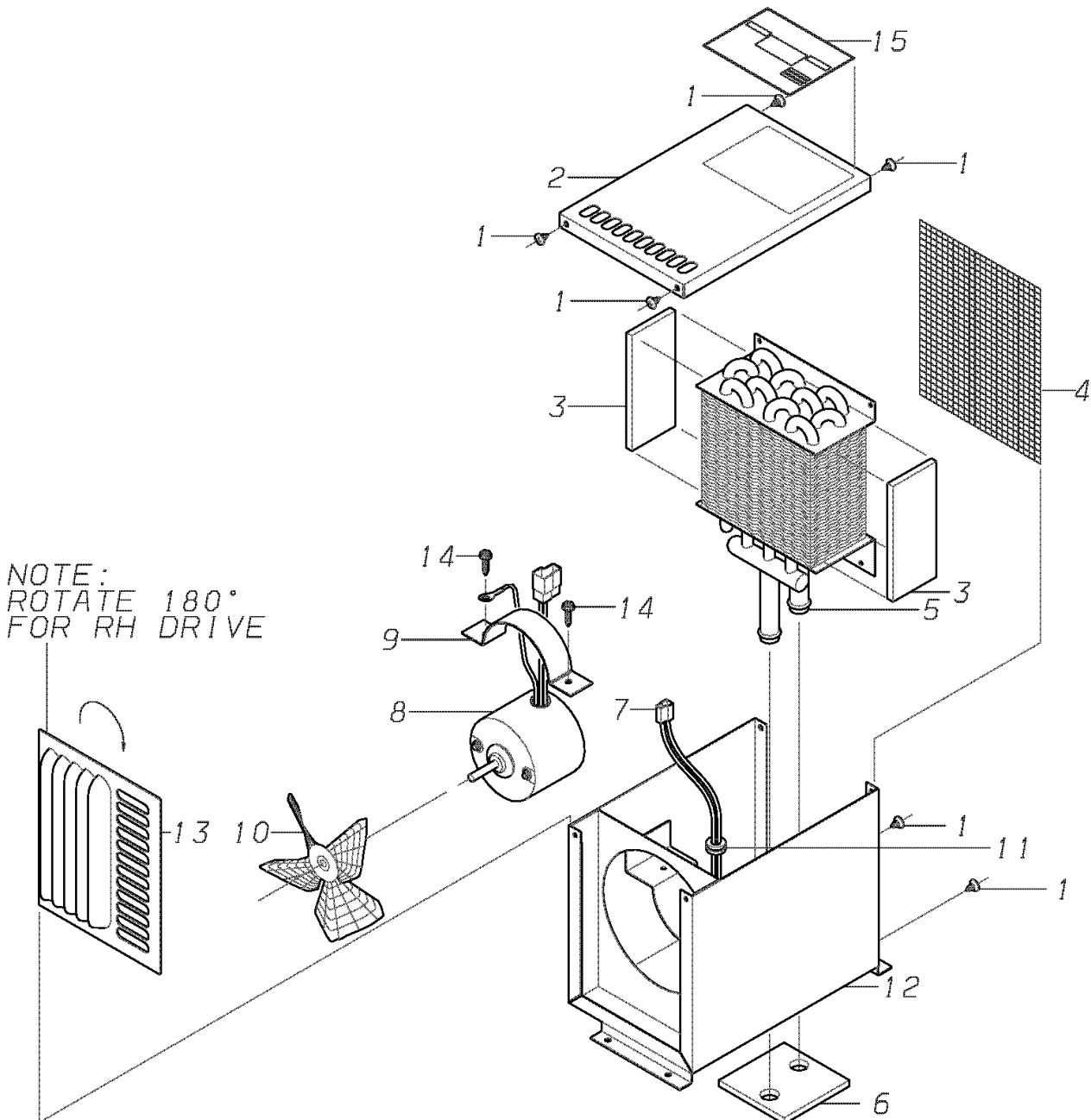
*With: FEATURE 30059* \_\_\_\_\_ 8

**Models:** A3FE, A3RE, C1FE, C3FE, C4RE, CSFE, CSRE, QBRE, TCEV, TCFE, TCRE, TSFE  
**DRIVER'S HEATER**  
**BSN:** From BSN 182348

Key	PartNumber	Qty	Description	Comment
-----	------------	-----	-------------	---------

DR.1/16/95 BY DB		1654482A	
APP.1/16/95 BY AB	FRT		REV

© BLUE BIRD BODY COMPANY. ALL RIGHTS RESERVED



**Models:** A3FE, A3RE, C1FE, C3FE, C4RE, CSFE, CSRE, QBRE, TCEV, TCFE, TCRE, TSFE  
**DRIVER'S HEATER**  
**BSN:** From BSN 182348

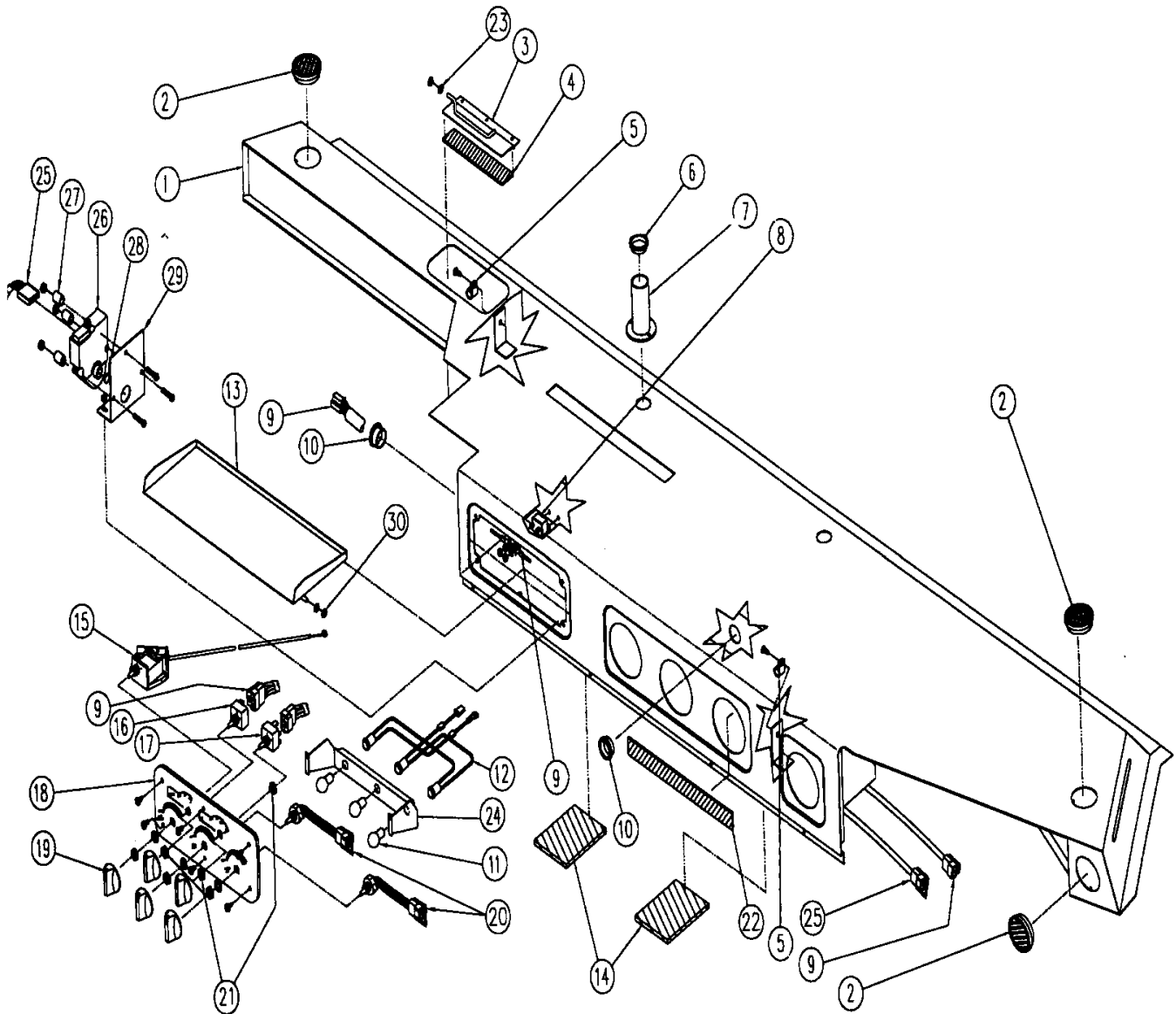
Key	PartNumber	Qty	Description	Comment
1	2186401	6	SCREW,10-16 X 1/2,AB,PH1,PAN HD,YEL ZN	
2	1444025		PANEL,TOP,DRIVERS HEATER, TCFC	
3	1438506	2	SEAL,DRIVERS HEATER COIL,SIDE	
4	1438100		SCREEN,END,DRIVERS HEATER	
5	1438118		COIL,DRIVERS HEATER,2.50 X 5.00 X 7.00	
6	1438175		SEAL,DRIVERS HEATER COIL,TUBES	
7	1656370		HARNES,WRG,HEATER,DRIVERS,TCFC/RE	
8	1438480		MOTOR ASSY,W/TERMINAL PLUG,DRIVERS	
9	1450717		CLAMP,MOTOR MOUNT,DRIVERS HEATER	
10	1438126		FAN,5.00 IN HEATER,METAL,4 BLADE	
11	2003168		GROMMET,RUBBER	
12	1438191		HOUSING ASSY,DRIVERS HEATER	
13	1443480		PANEL,OUTLET,DRIVERS HEATER,TCFC	
14	1285923	2	SCREW,10-16 X 3/4,AB/B,PH1,HEX HD,	
15	1501535		PLATE,HEATER NAME,12M BTU	

Models: A3FE, A3RE, C1FE, C3FE, CSFE, CSRE, TCFE, TCRE, TSFE  
 FRONT HEATER  
 HEATER ASSY  
 CONTROLS AND SWITCHES

BSN: From BSN B10035320, F10020225, L10032855, M10041330, X10009290

Key	PartNumber	Qty	Description	Comment
-----	------------	-----	-------------	---------

1749372



**Models:** A3FE, A3RE, C1FE, C3FE, CSFE, CSRE, TCFE, TCRE, TSFE  
**FRONT HEATER  
 HEATER ASSY  
 CONTROLS AND SWITCHES**

**BSN:** From BSN B10035320, F10020225, L10032855, M10041330, X10009290

Key	PartNumber	Qty	Description	Comment
1			WELDMONT-DUCT	
2	8303091		LOUVER, TC HEATER"	
3			WELDMONT- DRIVER DOOR	
4			URETHANE	
5	4316790		CLAMP, CABLE HTR.	
6			BUSHING	
7			BUSHING	
8	8303109		BREAKER, 10-AMP TC HEATER"	
9	0021266		HARNES, WIRE W/DOOR SWITCH 222989	SEE NOTE AT BOTTOM OF PAGE)
9	0021267		HARNES, WIRE W/O DOOR SWITCH 222988	WITHOUT DR. SWITCH
10			BUSHING, SNAP	
11	8303117		LAMP, 12V HEATER	
12			SOCKET- WIRE	
13			WELDMONT- DOOR HEAT	
14			PAD-NEOPRENE	
15	8303133		CONTROL CABLE ASSY. 42"" TC HEATER"	SEE NOTE AT BOTTOM OF PAGE
16	8303141		SWITCH, 2-SPEED TC HEATER"	SEE NOTE AT BOTTOM OF PAGE
17	4320925		SWITCH,FAN,HEATER,CONV"	SEE NOTE AT BOTTOM OF PAGE
NI	1838499		CONNECTOR,5 CIRC,SWITCH	
18	0021268		PLATE, W/DR SWITCH 360890 KYSOR	SEE NOTE AT BOTTOM OF PAGE)
18	0021269		PLATE W/O DR SWITCH 360891 KYSOR	SEE NOTE AT BOTTOM OF PAGE)
19	8303158		KNOB, TC HEATER PANEL"	SEE NOTE AT BOTTOM OF PAGE
20	0016333		SWITCH ASSY,AIR CONTROL ACTUATOR	SEE NOTE AT BOTTOM OF PAGE

**Models:** A3FE, A3RE, C1FE, C3FE, CSFE, CSRE, TCFE, TCRE, TSFE  
**FRONT HEATER  
 HEATER ASSY  
 CONTROLS AND SWITCHES**

**BSN:** From BSN B10035320, F10020225, L10032855, M10041330, X10009290

Key	PartNumber	Qty	Description	Comment
21	4316774		NUT, SWITCH LH FRT HTR.	SEE NOTE AT BOTTOM OF PAGE
22			FOAM	
23	4316477		NUT, CABLE END	
24			BRACKET - LIGHT	
25	0021270		ACTUATOR 274327 KYSOR	
26	0010591		MOTOR ACTUATOR,RED,KYSOR #274327	
27			SPACER	
28			PLUG - (D) - 45 DEG.	
29			BRACKET - MTG.	
30			WASHER - NYLON	
NI				


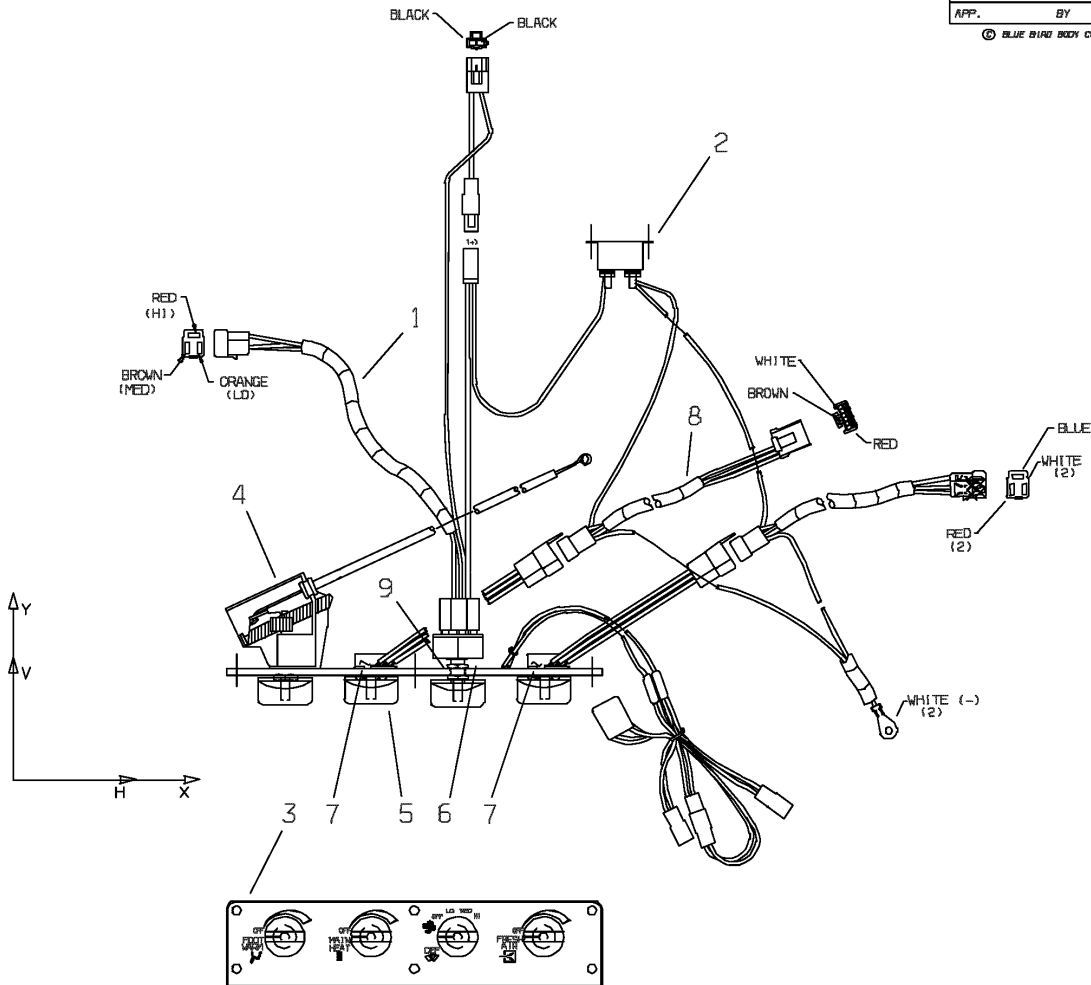
**Models:** A3FE, A3RE, C1FE, C3FE, CSFE, CSRE, TCFE, TCRE, TSFE  
**FRONT HEATER**  
**HEATER ASSY**  
**CONTROLS AND SWITCHES**  
**CONTROL PANEL ASSEMBLY**

**BSN:** From BSN F10064340, F10035825, F20035860, L10059260, M10074850 1-22-01

Key	PartNumber	Qty	Description	Comment
-----	------------	-----	-------------	---------

DR. 04-10-01	BY MC	2502631	
APP.	BY	FRT	REV

© BLUE BIRD BODY COMPANY. ALL RIGHTS RESERVED

**Models:** A3FE, A3RE, C1FE, C3FE, CSFE, CSRE, TCFE, TCRE, TSFE  
**FRONT HEATER  
 HEATER ASSY  
 CONTROLS AND SWITCHES  
 CONTROL PANEL ASSEMBLY**

**BSN:** From BSN F10064340, F10035825, F20035860, L10059260, M10074850 1-22-01

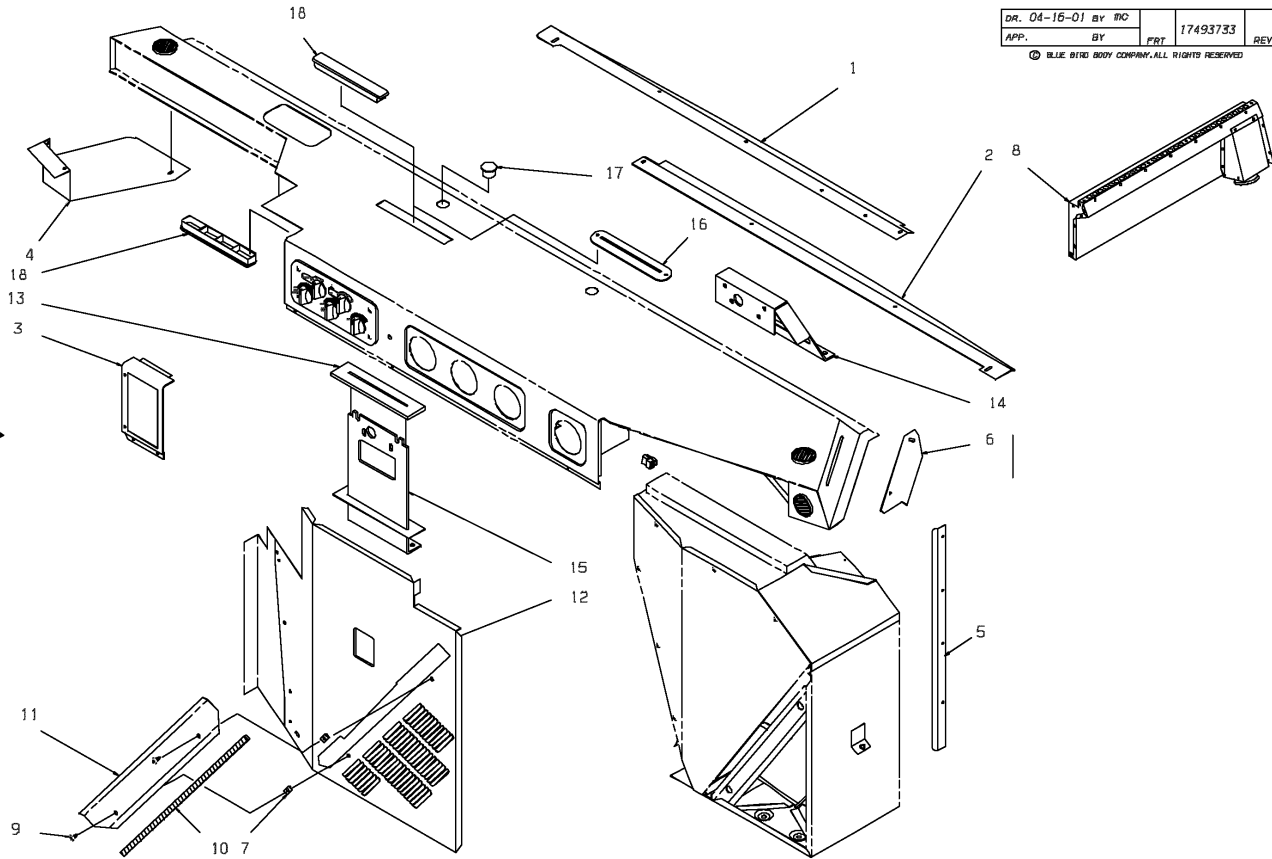
Key	PartNumber	Qty	Description	Comment
	0037588		CONTROL ASSY, TRANSIT 250263	<i>CONSISTS OF THE FOLLOWING</i>
1	0038984		HARNESS,FRT HTR,KYSOR CONTROL PANEL	
2	8303109		BREAKER, 10-AMP TC HEATER"	
3	0038985		PLATE,SWITCH, FRT HTR KYSOR CONTROL	
4	0038986		CONTROL CABLE 42IN, FRT HTR, KYSOR	
5	0031531		KNOB,TEMPERATURE CONTROL,HEATER WATER	
6	0037788		SWITCH, BLOWER, FAN, 4 POSITION, CV	
7	0016333		SWITCH ASSY,AIR CONTROL ACTUATOR	
8	0038989		HARNESS,ACTUATOR KYSOR CONTROL PANEL	
9	4316774		NUT, SWITCH LH FRT HTR.	



**Models:** A3FE, A3RE, C1FE, C3FE, CSFE, CSRE, TCFE, TCRE, TSFE  
**FRONT HEATER**  
**HEATER ASSY**  
**DASH PANELS AND TRIM**


**BSN:** From BSN B10035320, F10020225, L10032855, M10041330, X10009290

Key	PartNumber	Qty	Description	Comment
-----	------------	-----	-------------	---------



DR. 04-16-01	BY: JIC	17493733	REV
APP.	BY	PRT	REV

© BLUE BIRD BODY COMPANY, ALL RIGHTS RESERVED



**Models:** A3FE, A3RE, C1FE, C3FE, CSFE, CSRE, TCFE, TCRE, TSFE  
**FRONT HEATER  
 HEATER ASSY  
 DASH PANELS AND TRIM**

**BSN:** From BSN B10035320, F10020225, L10032855, M10041330, X10009290

Key	PartNumber	Qty	Description	Comment
1			TRIM, LH BELT	
2			TRIM, RH BELT	
3			PANEL, FRONT DASH	
4	0061998		TRIM,LH,FRONT DASH, PART OF KIT 0015272	FOR PART OF KIT 0015272
5	0031090		ANGLE,FRONT CORNER HEATER TC2000	
6			PLATE, COVER, RH	
7			NUT, SPEED	
8			ASSEMBLY, DUCT SIDE	
9			FASTENER, #12	
10	4316550		RUBBER, .25 X .50 HEATER CV KYSOR	
11			COVER, FILTER	
12	0092319		COVER,WELDMENT,HEATER,TC	
13			SEAL, DOOR	
14			BRKT, FRONT MAN DOOR	
15			BRKT WELDMENT, MAN DOOR	
16			PLATE, COVER	
17	0022751		PLUG,BUTTON,1" OD HOLE 1914134	
18	0022752		PLUG,QB LONG HOLE 1914134	
			KITS AS FOLLOWS	
A	0015273		KIT,DASH & HEATER COVER,A3RE	CONTAINS ITEMS 4,6,7,9,10,11,& 12, A3RE
B	0015274		KIT,DASH & HEATER COVER,A3FE	CONTAINS ITEMS 4,6,7,9,10,11,& 12, A3FE
C	0015269		KIT,DASH & HEATER COVER,TC/CS/A3 RE	CONTAINS ITEMS 4,6,7,9,10,11,& 12, TCRE
				CONTAINS ITEMS 17 AND 18

**Models:** A3FE, A3RE, C1FE, C3FE, CSFE, CSRE, TCFE, TCRE, TSFE  
**FRONT HEATER  
 HEATER ASSY  
 DASH PANELS AND TRIM**

**BSN:** From BSN B10035320, F10020225, L10032855, M10041330, X10009290

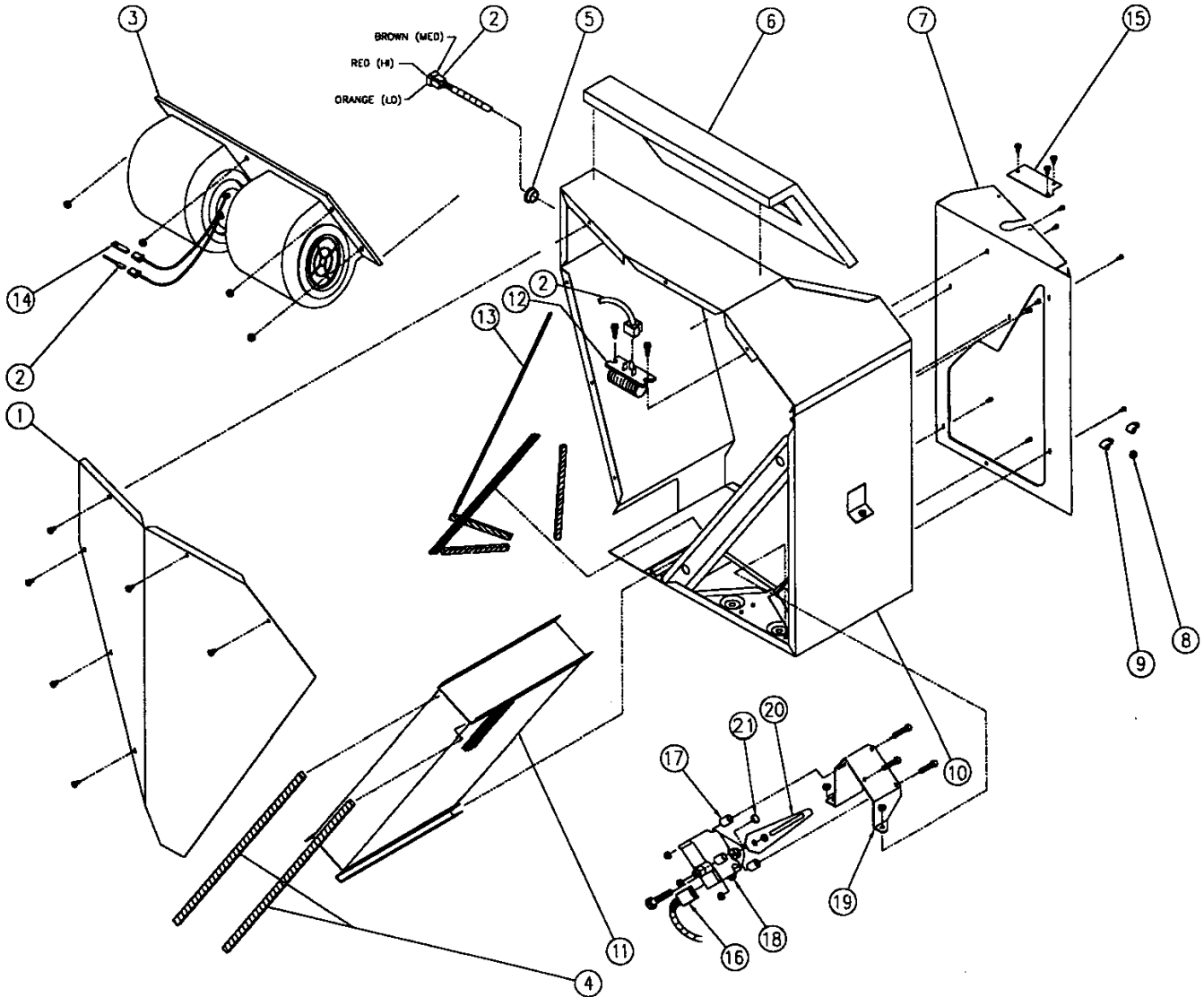
Key	PartNumber	Qty	Description	Comment
E	1914142		KIT,DASH & HEATER COVER,CSRE	CONTAINS ITEMS 13,14,15,16
F	0015272		KIT,DASH & HEATER COVER,TCFE	CONTAINS ITEMS 4,6,7,9,10,11,12, TCFE
G	1913847		KIT,TRIM,DASH W/PUSH BUTTON SHIFTER,2CF	CONTAINS ITEMS 1 & 2
H	1913821		KIT,TRIM,DASH W/STD AUTOMATIC TRANS	CONTAINS ITEMS 1,2, AND 3
NI			FOR HEATER ASSY 0015281 AND 0015279	

Models: A3FE, A3RE, C1FE, C3FE, CSFE, CSRE, TCFE, TCRE, TSFE  
 FRONT HEATER  
 HEATER ASSY  
 PANELS AND BLOWER

BSN: From BSN B10035320, F10020225, L10032855, M10041330, X10009290

Key	PartNumber	Qty	Description	Comment
-----	------------	-----	-------------	---------

1749371



**Models:** A3FE, A3RE, C1FE, C3FE, CSFE, CSRE, TCFE, TCRE, TSFE  
**FRONT HEATER  
 HEATER ASSY  
 PANELS AND BLOWER**

**BSN:** From BSN B10035320, F10020225, L10032855, M10041330, X10009290

Key	PartNumber	Qty	Description	Comment
1	0103620		PANEL,COVER,FRONT HEATER,BERG	
2	8316853		HARNES, WIRING, TC, HTR."	
3	8303182		BLOWER ASSY. TC HEATER	<i>INCLUDES THE FOLLOWING:</i>
	8313223	8	SPRING CLIP, HEATER BLOWER, KYSOR"	
	0078280		BASE, BLOWER, MOUNTING, FRONT HEATER,	
	0078281		HOUSING, BLOWER, TOP, FRONT HEATER, BERG,	
	0014626	2	GRILLE, END BLOWER ASSY 360870	
	8307365		WHEEL, HTR BLOWER 8303182(PLASTIC)"	
	8307373		MOTOR, 12 VOLT, HEATER, FOR 8303182"	
	0013477		MOTOR STRAP	
4			URETHANE	
5			BUSHING-SNAP	
6	8303174		GASKET, BLOWER OUTLET	
7	0046298		PANEL, FRT. CLOSEOUT, KYSOR	
8	4316477		NUT, CABLE END	
9	4316790		CLAMP, CABLE HTR.	
10	0038740		WELDMENT BLOWER COVER FRT HTR	
11	8303208		COIL, HEATER TC"	
11	0006766		COIL, HEATER, A3	
12	4316295		RESISTOR, 12V 3-SPD. HTR MOTOR"	
13			FELT	
14			TERMINAL WIRE	
15			PLATE - WIRE	

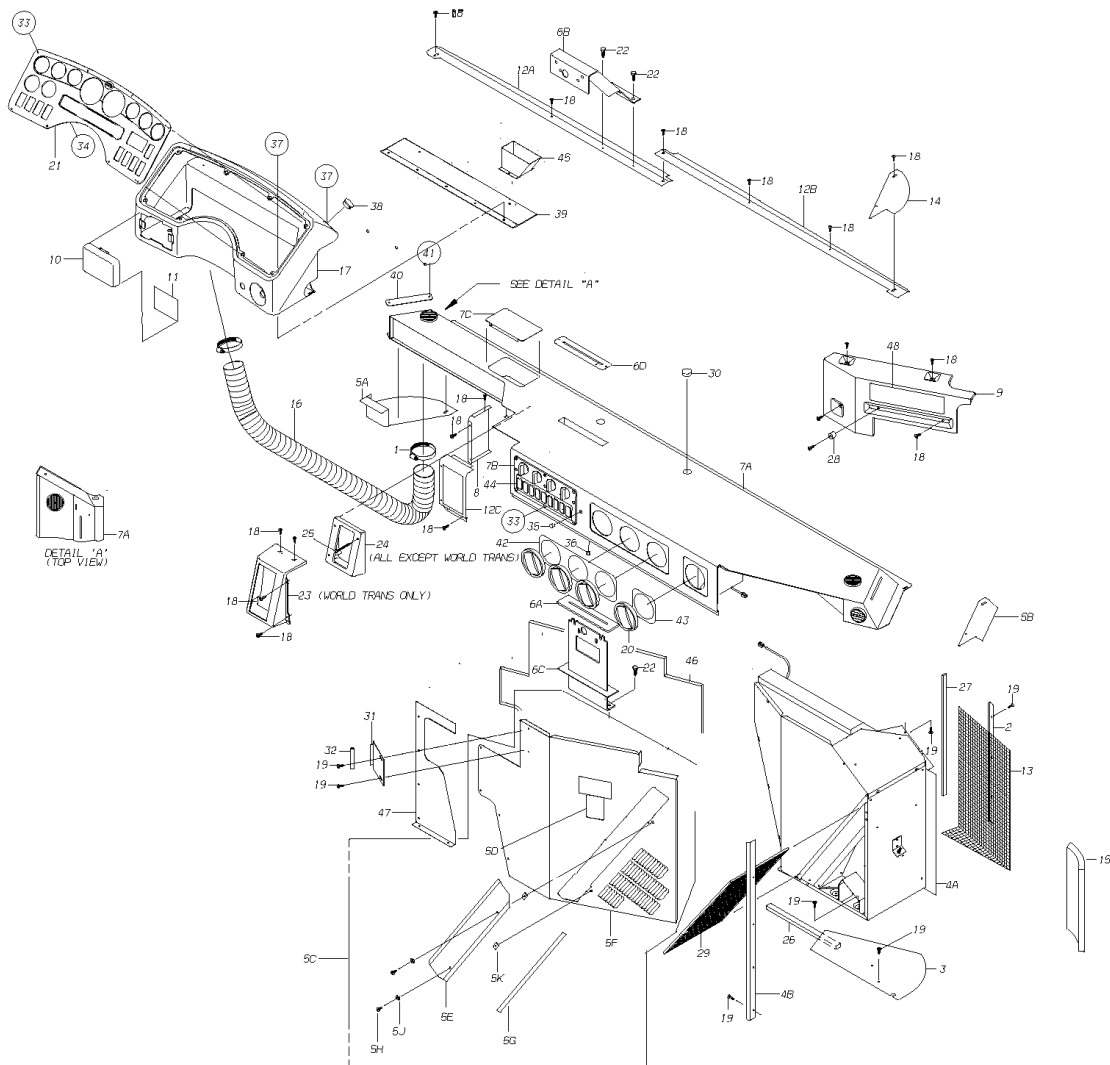
**Models:** A3FE, A3RE, C1FE, C3FE, CSFE, CSRE, TCFE, TCRE, TSFE  
**FRONT HEATER  
 HEATER ASSY  
 PANELS AND BLOWER**

**BSN:** From BSN B10035320, F10020225, L10032855, M10041330, X10009290

Key	PartNumber	Qty	Description	Comment
16			HARNES - WIRE ACTUATOR	
17			SPACER - .44	
18	0010591		MOTOR ACTUATOR,RED,KYSOR #274327	
19	0021264		BRACKET, MTG, 518317 KYSOR	
20	0021265		LEVER, PIVOT, 518321 KYSOR	
21			PLUG - (D) 45 IN.	
NI			FOR HEATER ASSY 0015281 AND 0015279	

**Models: C3FE  
FRONT HEATER  
HEATER INSTALLATION  
DASH INSTALLATION & PANELS WITH MANUAL DOOR CONTROL**

Key	PartNumber	Qty	Description	Comment
-----	------------	-----	-------------	---------



**Models: C3FE  
FRONT HEATER  
HEATER INSTALLATION  
DASH INSTALLATION & PANELS WITH MANUAL DOOR CONTROL**

Key	PartNumber	Qty	Description	Comment
1	1572304	2	CLAMP,HOSE,SIZE 36,UNLINED,2.75	
2	1532910		ANGLE,SCREEN RET,HTR AIR INTAKE	
3	0010683		PANEL,CLOSEOUT,HEATER TO COWL,DRFL	
4	0015279		HEATER ASSY,TRANSIT MAIN,PIA,VERT FEED	
4A			HEATER ASSY	
4B	0031090		ANGLE,FRONT CORNER HEATER TC2000	
5	0015274		KIT,DASH & HEATER COVER,A3FE	
5A			TRIM, LH FRONT	
5B			TRIM, RH	
5C			COVER ASSY	
5D	4316402		PLATE, ID HEATER CV KYSOR WESTRAN 342384	
5E			COVER, FILTER	
5F			PANEL, INTERIOR	
5G	4316550	AR	RUBBER, .25 X .50 HEATER CV KYSOR	
5H	0035467	2	FASTENER, KYSOR 290378, FRT HTR	
5J	0035468	2	RETAINER, KYSOR 290343, FRT HTR	
5K	0035469	2	NUT-SPEED, KYSOR 290241, FRT HTR	
6	0031450		KIT,MANUAL DOOR CONTROL BRACKETS	
6A			SEAL, DOOR	
6B			BRACKET, FRONT, MED GRAY	
6C			BRACKET, REAR, MED GRAY	
6D			PLATE, COVER, MED GRAY	
7	0028724		DUCT ASSY,DEF,WITH MOUNTED CONTROLS	



**Models: C3FE  
FRONT HEATER  
HEATER INSTALLATION  
DASH INSTALLATION & PANELS WITH MANUAL DOOR CONTROL**

Key	PartNumber	Qty	Description	Comment
7A			DUCT ASSY	
7B	0037588		CONTROL ASSY, TRANSIT 250263	SEE DRAWING 2502631
7C	0030465		TRIM,ACCESS OPENING,FOOTWARMER DOOR	
8	1528561		PANEL,DASH,END CAP	
9	0031645		COVER,DASH,RH REAR,TC/A3	
10	0017276		COVER,FUSE BLOCK W/O CIRCUIT BREAKERS	
11	0041799		DECAL,FUSE BLOCK	
12	0032833		KIT,TRIM,DASH W/STD AUTO SHIFTER,2CF,A3	WITH STANDARD AUTOMATIC TRANS
12			TRIM, LH BELT BAR	
12			TRIM, RH BELT BAR	
12			PANEL, SHIFTER, MED GRAY	
12	1913847		KIT,TRIM,DASH W/PUSH BUTTON SHIFTER,2CF	
12			TRIM, LH BELT BAR	
12			TRIM, RH BELT BAR	
13	1532902		SCREEN,HTR AIR INTAKE,TCFC/RE	
14	1925759		TRIM,RH FRONT CORNER OF DASH,TCFE/RE	
15	1532936		INSULATION & SEAL,RH COWL	
16	1508381		HOSE,FLEXIBLE,DUCT,2.50X28.00	
17	0031025		HOUSING,PANEL ASSY,INSTRUMENT,2001	
18	1143676	25	SCREW,10-16 X 3/4, AB,PH1,PAN HD,BLK ZN,	
19	1589522	30	SCREW,10-16 X 3/4,AB,PH1,PAN HD,YEL ZN	
20	0530253	4	DIFFUSER,AIR,BLACK,MB	
21	0026348		PANEL ASSY,INSTRUMENT,BLK W/GRAY,	

**Models:** C3FE  
**FRONT HEATER  
 HEATER INSTALLATION  
 DASH INSTALLATION & PANELS WITH MANUAL DOOR CONTROL**

Key	PartNumber	Qty	Description	Comment
22	2000198	4	SCREW,5/16-18 X 1,D,HEX HD,YEL ZN DICH	
23	0035231		BEZEL,SHIFTER,KEYPAD,A3/TC	KEYPAD
24	1528579		COVER,SHIFTER	
25	1557693	4	SCREW,10-16 X 2-1/2,AB,PH1,TRUSS HD, BLK	
26	0830059	12	TAPE,FOAM,1/2X3/4,CLSD CELL NEOPRENE ADH	
27	0758292		TAPE,FOAM,PCV,3/16 X 3/8 WIDTH,W/ADH	
28	1486919		BUMPER,RUBBER RECESS,.469 X .719 DIA	
29	1922384		FILTER,MAIN HTR,10 X 21.06 X.43 FRM	
30	1351071		PLUG,BUTTON,BLACK,DP-1000 HEYCO 2713	
31	0000059		BRACKET,HEATER PANEL TO DUCT	
32	2004547	AR	TRIM,INSTRUMENT HOOD,VINYL EDGE,BLACK	
33	1315100	8	SCREW,MACH,10-32X1,PHI,PAN HD,BLK	
34	1315118	8	WELLNUT Q-1032,.377 X 5/8	
35	1422864		PLUG,BUTTON,BLACK,DP-437,HEYCO 2633	
36	1626159		PLUG,BUTTON,BLACK,DP-375,HEYCO 2617	
37	0017645	5	SCREW,1/4-20 X.75,TYPE F W/WSHR,PAN HD,	WITHOUT OPTION 1240
38	0017694	2	PLUG,PRY-OUT,.875 HOLE,HEYCO 3083	WITHOUT OPTION 1240
39	0016389		CABINET,MEDICINE,VANITY,LAMINATE,LX2000D	
40	0000852		TAG,VEHICLE IDENTIFICATION NUMBER,.032	
41	0422915	2	RIVET,1/8 DIA,ALUMINUM,W/ST STEM	
42	0031699		DECAL,INSERT,HEATER DIFFUSER,DASH,3-	
43	0031700		DECAL,INSERT,HEATER DIFFUSER,DASH,1-	
44	0028949		PANEL ASSY,SWITCH,AUX HEATERS,W/CMPS	

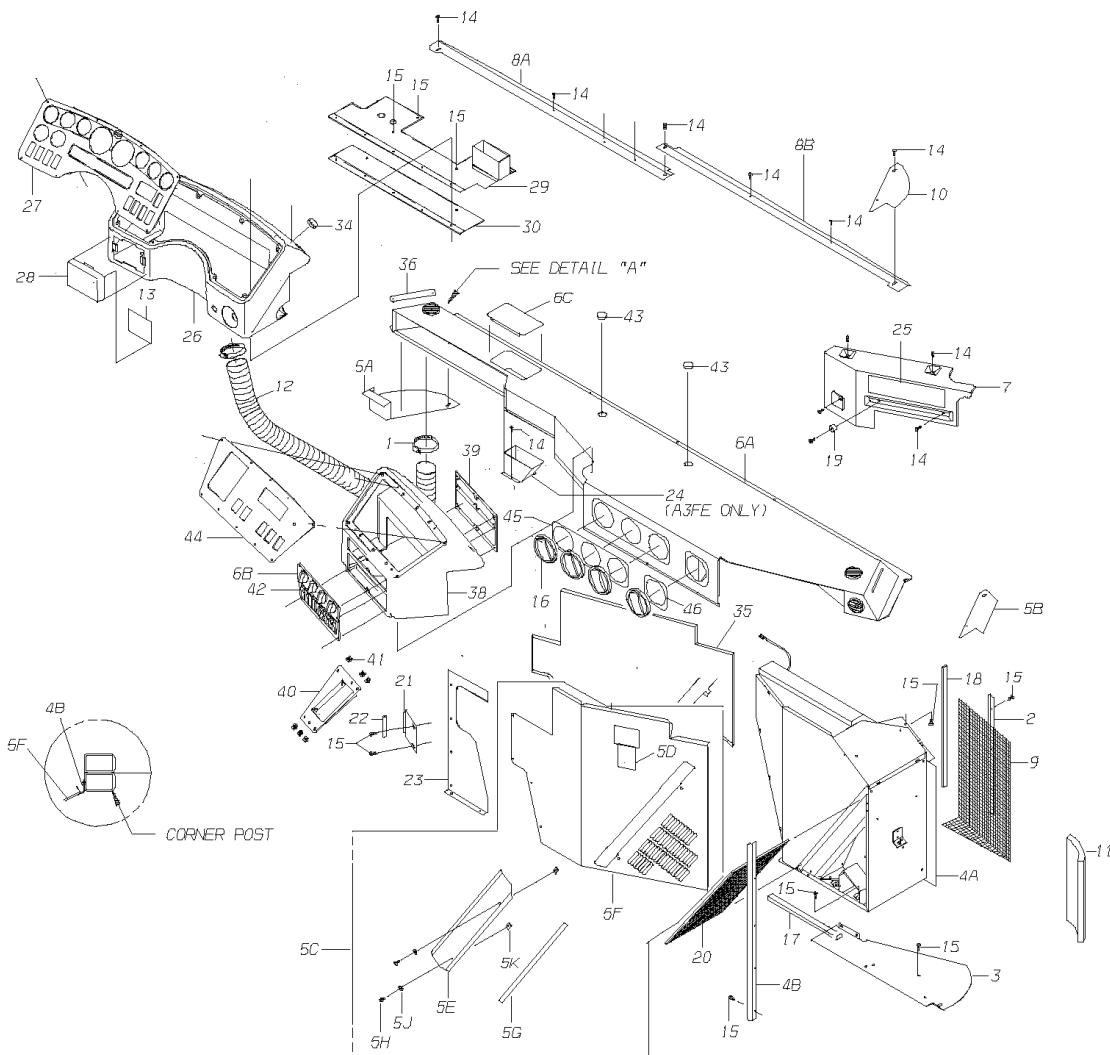
**Models:** C3FE  
FRONT HEATER  
HEATER INSTALLATION  
DASH INSTALLATION & PANELS WITH MANUAL DOOR CONTROL

Key	PartNumber	Qty	Description	Comment
45	0011217		DUCT,DRIVERS FOOTWARMER, A3FE	
46	0008386		INSULATION,THERMAL,HEATER COVER, A3FE	
47	0005256		PANEL,HEATER TO ENGINE HOOD, HDPE	
48	0000100		NAMEPLATE,DASH,ALL AMERICAN	
	0000101		NAMEPLATE,DASH,CANADIAN	

**Models:** A3FE, A3RE, C3FE  
**FRONT HEATER**  
**HEATER INSTALLATION**  
**LH DRIVE**

**BSN:** From BSN F10035825, L10059260  
 To BSN F10068989, L10133499

Key	PartNumber	Qty	Description	Comment
-----	------------	-----	-------------	---------



**Models:** A3FE, A3RE, C3FE  
**FRONT HEATER  
 HEATER INSTALLATION  
 LH DRIVE**  
**BSN:** From BSN F10035825, L10059260  
 To BSN F10068989, L10133499

Key	PartNumber	Qty	Description	Comment
1	1572304	2	CLAMP,HOSE,SIZE 36,UNLINED,2.75	
2	1532910		ANGLE,SCREEN RET,HTR AIR INTAKE	
3	0010683		PANEL,CLOSEOUT,HEATER TO COWL,DRFL	A3FE
3	1564699		PLATE,CLOSEOUT,MAIN HTR TO COWL	A3RE
4	0015279		HEATER ASSY,TRANSIT MAIN,PIA,VERT FEED	
4A			KYSOR 116918, HEATER ASSY.	
4B	0031090		ANGLE,FRONT CORNER HEATER TC2000	
5	0015274		KIT,DASH & HEATER COVER,A3FE	A3FE
5A	0061998		TRIM,LH,FRONT DASH, PART OF KIT 0015272	A3FE
5B			KYSOR 517601, TRIM, RH	A3FE
5C			KYSOR 411476, COVER ASSY.	A3FE
5D	4316402		PLATE, ID HEATER CV KYSOR WESTRAN 342384	A3FE
5E			KYSOR 518342, COVER, FILTER	A3FE
5F			KYSOR 518345, PANEL, INTERIOR	A3FE
5G	4316550	2	RUBBER, .25 X .50 HEATER CV KYSOR	A3FE
5H	0035467	2	FASTENER, KYSOR 290378, FRT HTR	A3FE
5J	0035468	2	RETAINER, KYSOR 290343, FRT HTR	A3FE
5K	0035469	2	NUT-SPEED, KYSOR 290241, FRT HTR	A3FE
5	0015269		KIT,DASH & HEATER COVER,TC/CS/A3 RE	A3RE
5A	0061998		TRIM,LH,FRONT DASH, PART OF KIT 0015272	A3RE
5B			KYSOR 517601, TRIM, RH	A3RE
5C			KYSOR 411474, COVER ASSY.	A3RE
5D	4316402		PLATE, ID HEATER CV KYSOR WESTRAN 342384	A3RE

**Models:** A3FE, A3RE, C3FE  
**FRONT HEATER  
 HEATER INSTALLATION  
 LH DRIVE**  
**BSN:** From BSN F10035825, L10059260  
 To BSN F10068989, L10133499

Key	PartNumber	Qty	Description	Comment
5E			KYSOR 518342, COVER, FILTER	A3RE
5F			KYSOR 518341, PANEL, INTERIOR	A3RE
5G	4316550	2	RUBBER, .25 X .50 HEATER CV KYSOR	A3RE
5H	0035467	2	FASTENER, KYSOR 290378, FRT HTR	A3RE
5J	0035468	2	RETAINER, KYSOR 290343, FRT HTR	A3RE
5K	0035469	2	NUT-SPEED, KYSOR 290241, FRT HTR	A3RE
6	0028726		DUCT ASSY,DEF,WITH UNMOUNTED CONTROLS	WITH OPTION 1237
6A			KYSOR 170438, DUCT ASSY	W/OPT 1237
6B	0037588		CONTROL ASSY, TRANSIT 250263	WITH OPTION 1237. SEE DIAGRAM 2502631
6C	0030465		TRIM,ACCESS OPENING,FOOTWARMER DOOR	
7	0031645		COVER,DASH,RH REAR,TC/A3	
8	1913847		KIT,TRIM,DASH W/PUSH BUTTON SHIFTER,2CF	
8A			KYSOR 515538, TRIM, LH BELT BAR	
8B			KYSOR 517314, TRIM, RH BELT BAR	
9	1532902		SCREEN,HTR AIR INTAKE,TCFC/RE	
10	1925759		TRIM,RH FRONT CORNER OF DASH,TCFE/RE	
11	1532936		INSULATION & SEAL,RH COWL	
12	1508381		HOSE,FLEXIBLE,DUCT,2.50X28.00	
13	0041799		DECAL,FUSE BLOCK	A3RE ONLY
14	1143676	19	SCREW,10-16 X 3/4, AB,PH1,PAN HD,BLK ZN,	
15	1589522	30	SCREW,10-16 X 3/4,AB,PH1,PAN HD,YEL ZN	
16	0530253	4	DIFFUSER,AIR,BLACK,MB	
17	0830059	12	TAPE,FOAM,1/2X3/4,CLSD CELL NEOPRENE ADH	

**Models:** A3FE, A3RE, C3FE  
**FRONT HEATER  
 HEATER INSTALLATION  
 LH DRIVE**  
**BSN:** From BSN F10035825, L10059260  
 To BSN F10068989, L10133499

Key	PartNumber	Qty	Description	Comment
18	0758292	18	TAPE,FOAM,PCV,3/16 X 3/8 WIDTH,W/ADH	
19	1486919		BUMPER,RUBBER RECESS,.469 X .719 DIA	
20	1922384		FILTER,MAIN HTR,10 X 21.06 X.43 FRM	
21	0000059		BRACKET,HEATER PANEL TO DUCT	
22	2004547		TRIM,INSTRUMENT HOOD,VINYL EDGE,BLACK	
23	0005256		PANEL,HEATER TO ENGINE HOOD, HDPE	
24	0011217		DUCT,DRIVERS FOOTWARMER, A3FE	
25	0000100		NAMEPLATE,DASH,ALL AMERICAN	
25	0000101		NAMEPLATE,DASH,CANADIAN	
26	0031025		HOUSING,PANEL ASSY,INSTRUMENT,2001	
27	0026348		PANEL ASSY,INSTRUMENT,BLK W/GRAY,	
28	0017276		COVER,FUSE BLOCK W/O CIRCUIT BREAKERS	
29	0016854		PLATE ASSY,MOUNTING,DASH HOUSING	A3RE
30	0016369		PLATE,MOUNTING,INSTRUMENT HOUSING,,	A3FE
31	1315100	29	SCREW,MACH,10-32X1,PHI,PAN HD,BLK	
32	1315118	14	WELLNUT Q-1032,.377 X 5/8	
33	0017645	8	SCREW,1/4-20 X.75,TYPE F W/WSHR,PAN HD,	
34	0017694	4	PLUG,PRY-OUT,.875 HOLE,HEYCO 3083	
35	0008386		INSULATION,THERMAL,HEATER COVER, A3FE	A3FE ONLY
36	0000852		TAG,VEHICLE IDENTIFICATION NUMBER,.032	
37	0422915	2	RIVET,1/8 DIA,ALUMINUM,W/ST STEM	
38	0025579		HOUSING,VEHICLE CONTROL COMPONENTS	
39	0028997		PLATE,REINFORCEMENT,HTR SWITCH PNL,A3	

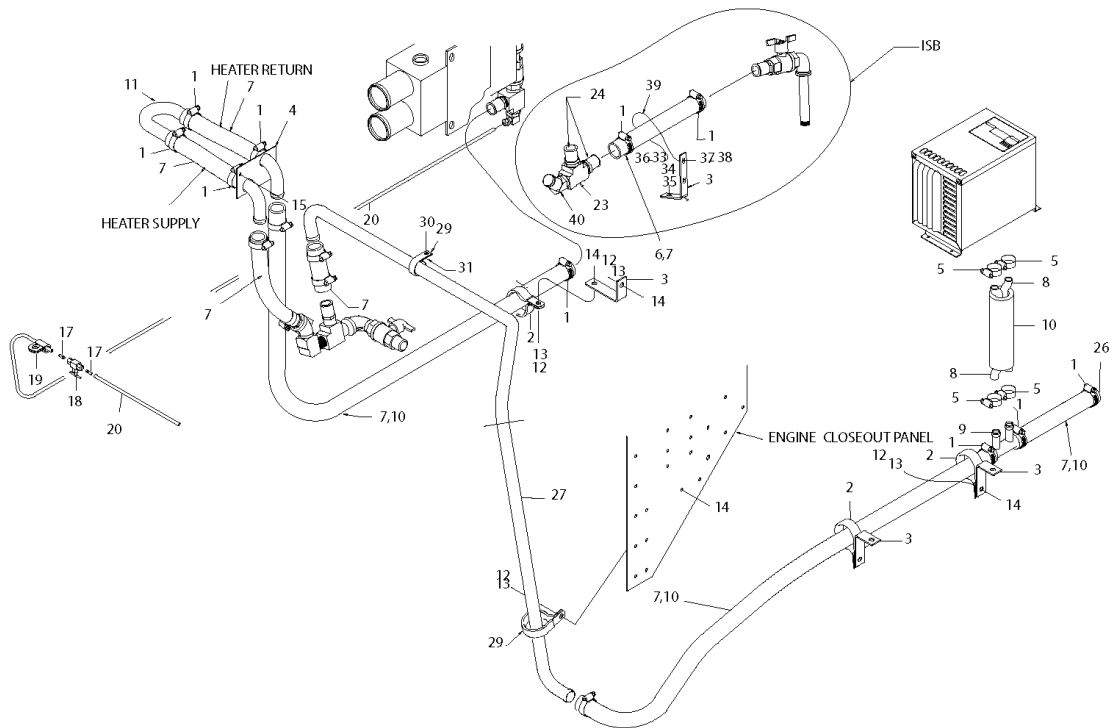
**Models:** A3FE, A3RE, C3FE  
**FRONT HEATER**  
**HEATER INSTALLATION**  
**LH DRIVE**  
**BSN:** From BSN F10035825, L10059260  
 To BSN F10068989, L10133499

Key	PartNumber	Qty	Description	Comment
40	0023394		PANEL,MTG,SHIFT SELECTOR TO HOUSING,LH	
41	0025522	6	U-NUT,10-32	
42	0028949		PANEL ASSY,SWITCH,AUX HEATERS,W/CMPS	
43	1351071	2	PLUG,BUTTON,BLACK,DP-1000 HEYCO 2713	
44	0027358		PANEL ASSY,SWITCH,SHIFTER,	
44	0030779		PANEL ASSY,SWITCH,SHIFTER,W/COMP,	
45	0031699		DECAL,INSERT,HEATER DIFFUSER,DASH,3-	
46	0031700		DECAL,INSERT,HEATER DIFFUSER,DASH,1-	



**Models:** A3FE, C3FE  
**HEATER PIPING**  
**ENGINE AREA**  
**CONVECTION HEATING**  
**With:** FEATURE 30059

Key	PartNumber	Qty	Description	Comment
-----	------------	-----	-------------	---------



**Models:** A3FE, C3FE  
**HEATER PIPING**  
**ENGINE AREA**  
**CONVECTION HEATING**  
**With:** FEATURE 30059

Key	PartNumber	Qty	Description	Comment
1	1894799	14	CLAMP,CONSTANT TORQUE,13/16 TO 1-1/2 DIA	
1	2008522	14	CLAMP,1IN HOSE	
2	1674217	8	CLAMP,LOOP,2.25	
3	1317247	3	BRACKET,ATCH,BRAKE LINE TO FRAME	
4	0054381		CONNECTOR ASSY,HTR PPG,FRT,RH, A3FE	
5	1894823	4	CLAMP,CONSTANT TORQUE,9/16 TO 1-1/16 DIA	
5	1025857	4	CLAMP,HOSE,SIZE 8,LINED	
6	1228840		LOOM,CORRUGATED,BLACK,NYLON,1 1/4ID,SS	
7	1250760	AR	HOSE,HEATER,1",GY HI MILER,BLUE W/WHT	
7	2003317	AR	HOSE,HEATER,1 INCH BRAID,BLACK	
7	1143866	AR	HOSE,HEATER,1 INCH ID,SILICONE	
8	1280569	AR	HOSE,HEATER,5/8",GY HI MILER,BLUE W/WHT	
8	0413153	AR	HOSE,HEATER,WATER,5/8 ID	
8	1163583	AR	HOSE, SILICON, 5/8 ID	
9	1360270	AR	TUBING ASSY,WATER SUPPLY/RET,RH WS DEF	
10	0020702		INSULATION,ARMAFLEX,1-5/8 ID X 3/8 WALL	
11	0195412	1	TUBING,180 DEGREE BRASS ELBOW	
12	0559195	9	CAPSCREW,HEX HD,3/8-16 X 1,GR 8,YEL ZN	
13	1107085	9	WASHER,FLAT,13/32 X 13/16 X 3/32,HDN,BLK	
14	0839027	9	NUT,HEX HD,3/8-16,GR G,SM FLG LK,YEL	
15	1943695	2	SCREW,10-16X3/4,AB,PH1,PAN HD,BLK ZN	
16	0281303	2	TUBING,BRASS,ELBOW,90 DEGREE	
17	0654970	2	INSERT,PLASTIC TUBING,1/4, 1484 X 4	

**Models:** A3FE, C3FE  
**HEATER PIPING**  
**ENGINE AREA**  
**CONVECTION HEATING**  
**With:** FEATURE 30059

Key	PartNumber	Qty	Description	Comment
18	0878603		VALVE,COMPRESSION LINE SHUT OFF	
19	0854612		CLAMP,LOOP,.500	
20	0654962	8.5	TUBING,PLASTIC,1/4 OD,BLACK,SAE J844 TYPE	
21	0010103		ANGLE,SUPPORT,HEATER HOSES, A3FE	
22	1877166		ELBOW,STREET,3/4,3400 X 12	ISC ONLY
23	1900711		TEE,FEMALE RUN,3/4 FPT,BRASS	ISC ONLY
24	0315200	3	ADAPTER,HTR,3/4 PIPE X 1 HOSE	ISC ONLY
25	0020687	2	CLAMP,LOOP,1.75	
26	2027860		PLUG,PIPE,3/4,GALV	
27	0054380		TUBE,HTR PPG,SUPPLY LINE,CONVECTION,	
28	0988873	2.5	INSULATION,ARMAFLEX,1-1/8 I.D. X 1/4 WALL	
29	0948141	2	CLAMP,LOOP,1.312	
30	1516608	1	SCREW,MACH,1/4-20X1-1/2,TRUSS HD,YEL	
31	0659979	1	NUT,HEX,FLANGE SER,1/4-20,BLACK ZINC	
32	2009272	1	ELBOW,STREET,3/4 45 DEG,GALV	
33	0024168	1	MOUNT,HEAVY DUTY,.25 HOLE SIZE	
34	1700442	1	CAPSCREW,HEX HD,M8-1.25 X 20MM,10.9	
35	2001188	1	LOCKWASHER,SPLIT RING, 5/16,MED,YEL ZN	
36	2000057	1	CAPSCREW,HEX HD,1/4-20 X 1,GR 5,YEL ZN	
37	2001121	1	WASHER,FLAT,5/16 X 3/4,X 5/64,YEL ZN DICH	
38	0659979	1	NUT,HEX,FLANGE SER,1/4-20,BLACK ZINC	
39	0029998	1	TIE,CABLE,250 LB	
40	0085292	1	FITTING,ELBOW,45 DEG,.75 MPT X 1 INCH	