

**Body**

**390 Mirrors**

EXTERIOR

ROSCO AVIA, 9 X 17

DETENT

*With: FEATURE 30483-08*

1

ROSCO EUROSTYLE

*With: FEATURE 30483-04*

2

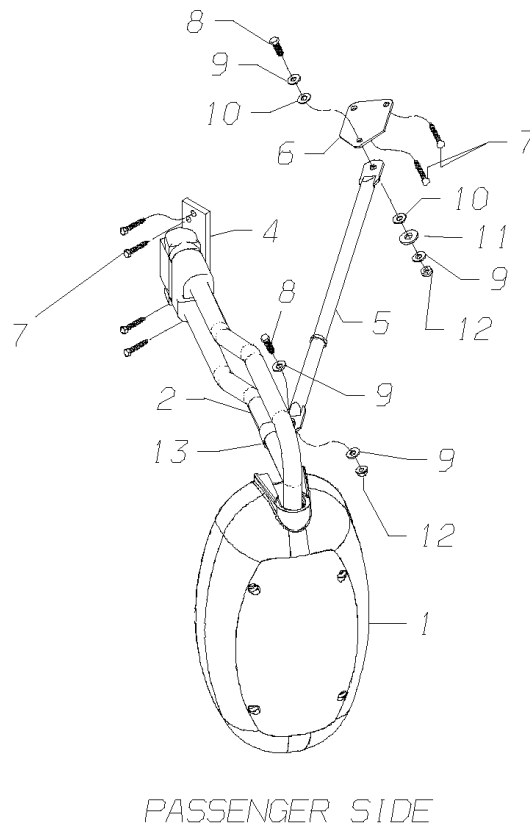
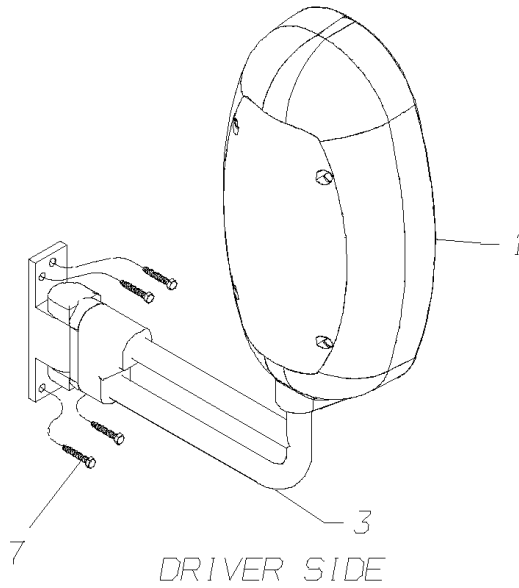
INTERIOR

4 X 16

3

**Models:** C3FE  
**EXTERIOR**  
**ROSCO AVIA, 9 X 17**  
**DETENT**  
**With:** FEATURE 30483-08

Key	PartNumber	Qty	Description	Comment
-----	------------	-----	-------------	---------

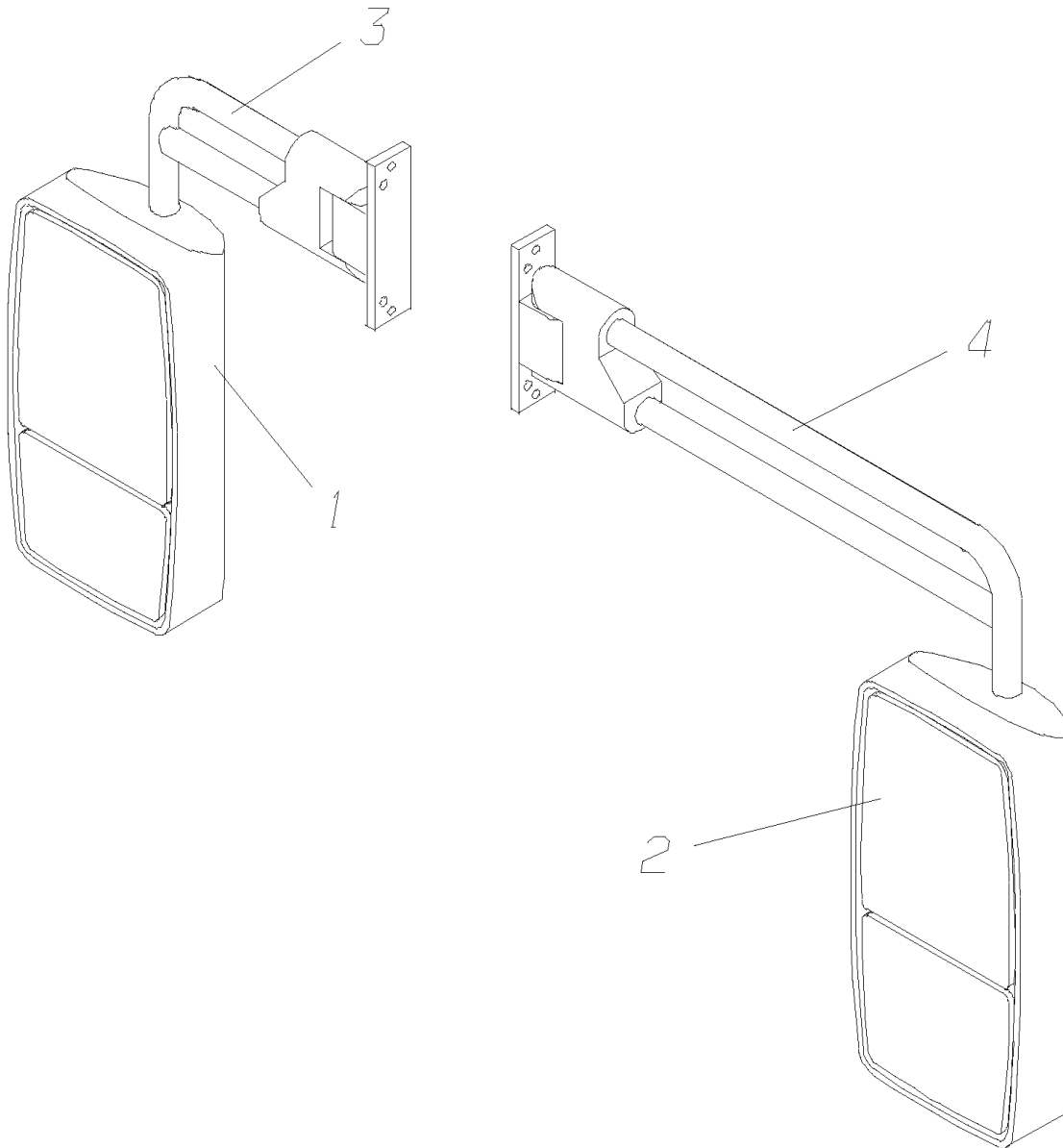


**Models:** C3FE  
**EXTERIOR**  
**ROSCO AVIA, 9 X 17**  
**DETENT**  
**With:** **FEATURE 30483-08**

Key	PartNumber	Qty	Description	Comment
*	0037258		MIRROR ASSY,AVIA,R/V,DTNT,HTD,R/C,A3	
1	0044671		MIRROR HEAD,DRIVER,AVIA,9X17,REMOTE,	
1	0044672		MIRROR HEAD,PASSENGER,AVIA,9X17,REMOTE,	
NI	0041788		GLASS,MIRROR,AVIA,CONVEX,HEATED	
NI	0041786		GLASS,MIRROR,AVIA,FLAT,HEATED	
NI	0049940		HOUSING,MIRROR HEAD,DRIVER,AVIA	
NI	0049941		HOUSING,MIRROR HEAD,PASSENGER,AVIA	
NI	0053510		PLUG,PLASTIC,AVIA MIR.HD(SET:2 RH & 2 LH)	<i>SET CONSISTING OF 2 RH &amp; 2 LH PLUGS</i>
NI	0053365		CARRIER & MOTOR ASSY,REMOTE,MIRROR,	
NI	0053370		CARRIER & MOTOR ASSY,REMOTE,MIRROR,	
2	0045084		ARM ASSY,MIRROR,AVIA,DTNT,PASS,W/BRACE,	
3	0045085		ARM ASSY,MIRROR,AVIA,DTNT,DRVR,REMOTE,	
4	0044090		BASE,MTG,MIRROR,NARROW,DRIVER,	
5	0040765		BRACE,TELESCOPIC,BREAKAWAY,W/BRACKETS	
6	0043205		BRACKET,MTG,MIRROR BRACE,PASSENGER	
7		10	BOLT, HEX HEAD, 5/16-18 X 2	
8		2	BOLT, HEX HEAD, 5/16-18 X 1, STAINLESS	
9		4	WASHER, FLAT, .750 O.D. X .343 I.D.,	
10		2	WASHER, FLAT, .750 O.D. X .343 I.D., NYLON	
11			WASHER, FLAT, 1 O.D. X .437 I.D., YELLOW	
12		2	NUT, HEX HEAD, 5/16-18, NYLON INSERT,	
13			CLAMP, TUBE, 1.00 ID TRIPOD, STAINLESS	
NI	0031728	2	SWITCH,MIRROR,W/HARNESS	

Models: C3FE  
EXTERIOR  
ROSCO EUROSTYLE  
With: FEATURE 30483-04

Key	PartNumber	Qty	Description	Comment
-----	------------	-----	-------------	---------



**Models:** C3FE  
**EXTERIOR**  
**ROSCO EUROSTYLE**  
**With:** FEATURE 30483-04

Key	PartNumber	Qty	Description	Comment
	0023011		MIRROR ASSY,EURO,RVW,8X15LH,8X15RH	
	0023013		MIRROR ASSY,EURO,RVW,HTD,8X15LH,8X15RH	FEATURE 30482.
1	0044741		MIRROR HEAD,OVERHANG,EURO,MANUAL,NON-	
	0038237		GLASS,MIRROR,CONVEX,EURO,7 X 4(8X15	
	0038238		GLASS,MIRROR,FLAT,EURO,7X9.5(8X15	
1	0023578		MIRROR HEAD,OVERHANG,EURO,MANUAL,	
	0039005		GLASS,MIRROR,CONVEX,HEATED,7 X 4(8X15	
	0039002		GLASS,MIRROR,FLAT,HEATED,7 X 9.5(8X15	
2	0044741		MIRROR HEAD,OVERHANG,EURO,MANUAL,NON-	
	0038237		GLASS,MIRROR,CONVEX,EURO,7 X 4(8X15	
	0038238		GLASS,MIRROR,FLAT,EURO,7X9.5(8X15	
2	0023578		MIRROR HEAD,OVERHANG,EURO,MANUAL,	
	0039005		GLASS,MIRROR,CONVEX,HEATED,7 X 4(8X15	
	0039002		GLASS,MIRROR,FLAT,HEATED,7 X 9.5(8X15	
3	0038040		ARM ASSY,MIRROR,DRVR,EURO	
3	0045186		ARM ASSY,MIRROR,DRVR,EURO,W/HEATER	
4	0038041		ARM ASSY,MIRROR,PASS,REMOTE,W/8 WIRE	
4	0045187		ARM ASSY,MIRROR,PASS,EURO,HAND	
NI	2000198	8	SCREW,5/16-18 X 1,D,HEX HD,YEL ZN DICH	

**Models:** C3FE  
INTERIOR  
4 X 16

Key	PartNumber	Qty	Description	Comment
NI	1673490		MIRROR,REARVIEW,INTERIOR,QBRE	
NI	1952779		BRACKET ASSY,MOUNTING,REAR VIEW	