

**Body****460 Accessories**

AUXILIARY FAN  
6 INCH

*With: FEATURE 30026-04*

---

1

GROMMET CHART

---

2

MUD GUARD  
LEFT FRONT

---

3

MUDFLAPS

*With: STD*

---

4

MUDFLAPS & RUBBER FENDERS

*With: OPTION 0581, 0582, 0605*

---

5

SNOW CHAINS, ON SPOT  
INSTALLATION

*With: FEATURE 40390-05*

---

6

SUN VISOR ASSY

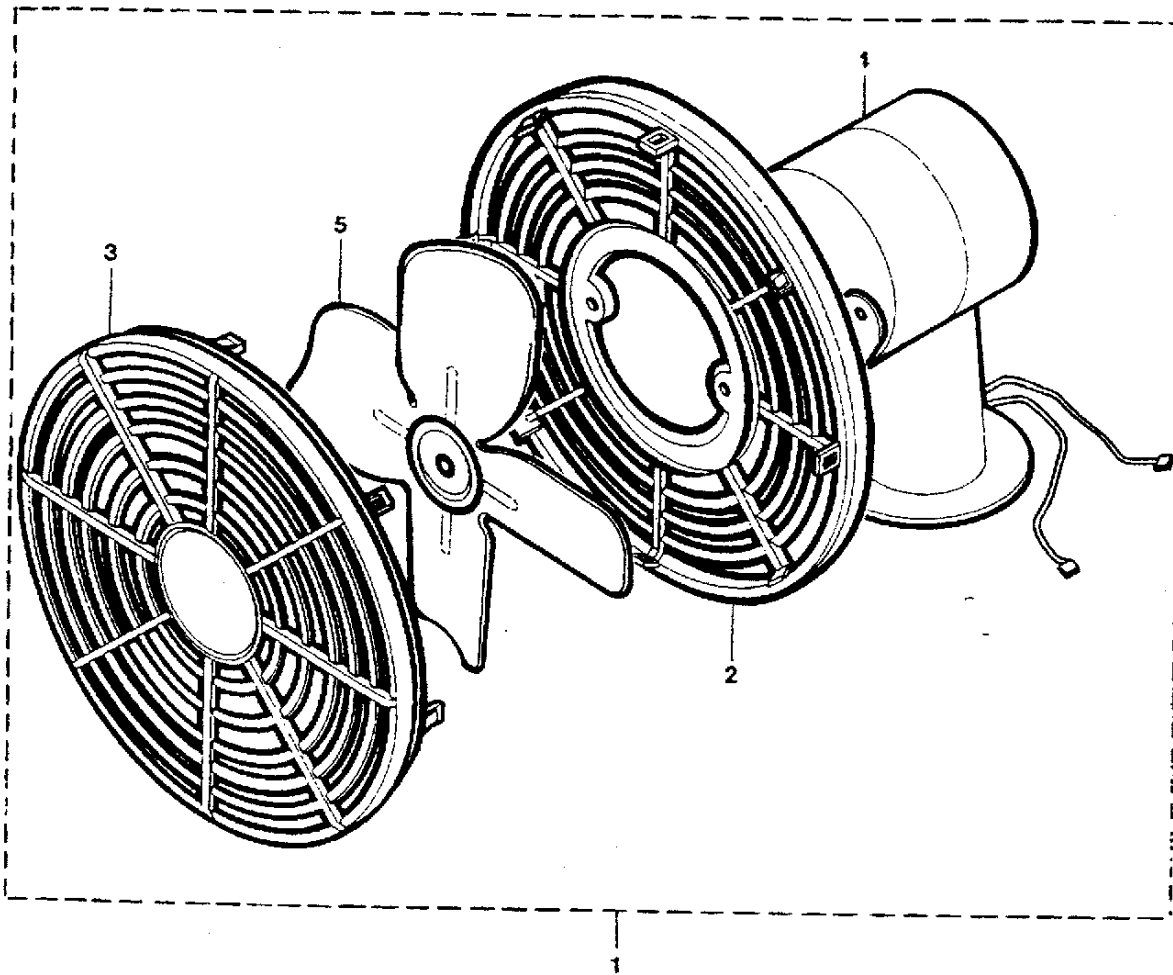
---

7

Models: C3FE  
AUXILIARY FAN  
6 INCH  
With: FEATURE 30026-04

Key	PartNumber	Qty	Description	Comment
-----	------------	-----	-------------	---------

DR 6-26-85 BY LAD  
APP 6-27-85 BY [Signature] 80039 15  
FRONT  
© 1985 BLUE BIRD BODY COMPANY  
ALL RIGHTS RESERVED



**Models:** C3FE  
**AUXILIARY FAN**  
**6 INCH**  
**With:** FEATURE 30026-04

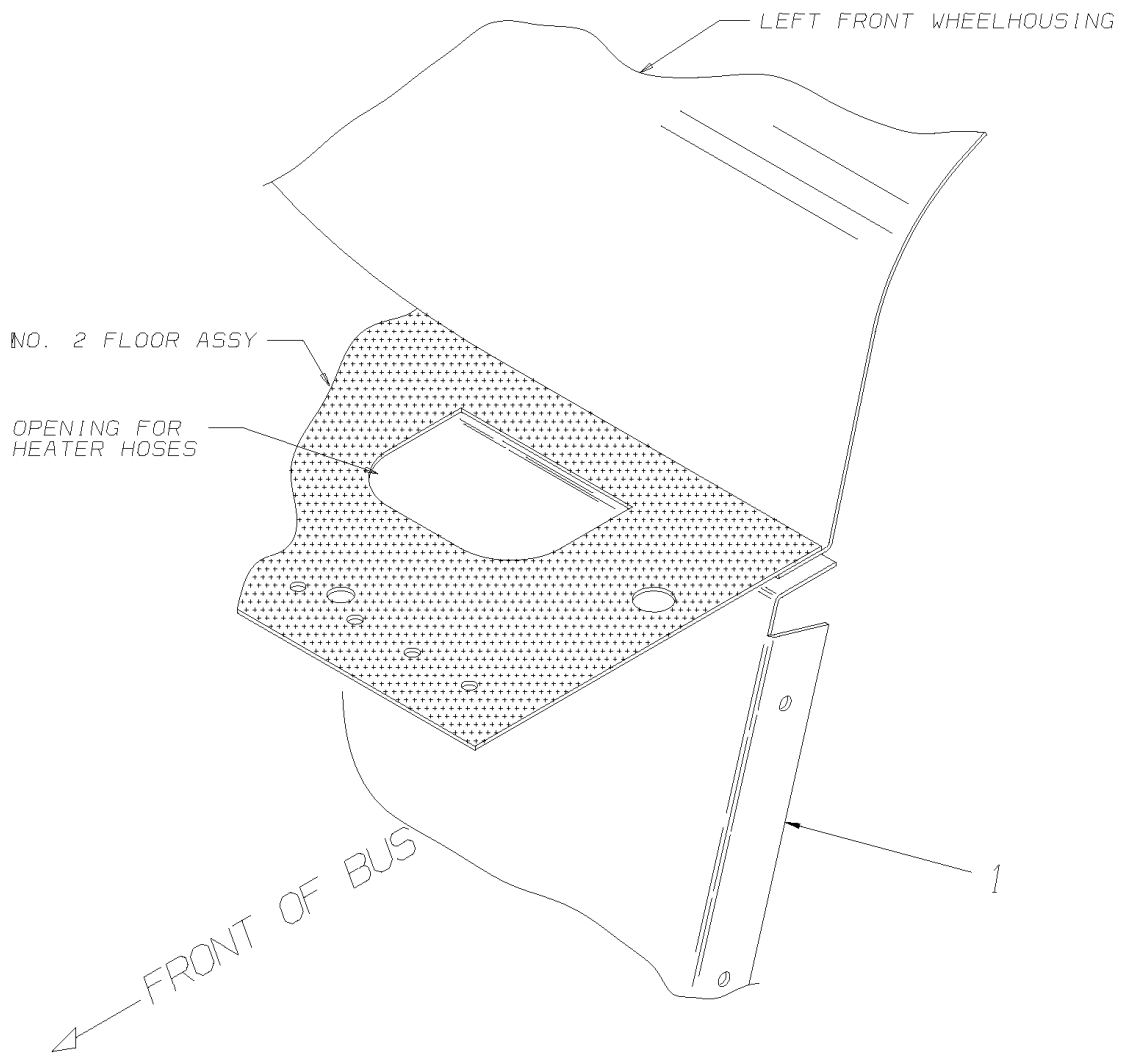
Key	PartNumber	Qty	Description	Comment
1	0666719		FAN,AUXILIARY,2 SPEED,6IN	
2	2146694		GUARD,FRONT, 6" AUXILLIARY FAN	<i>AVAILABLE ONLY IN KIT. INCLUDES FRONT AND REAR GUARD</i>
2			FRONT & REAR GUARD)	
3	2146694		GUARD,FRONT, 6" AUXILLIARY FAN	<i>AVAILABLE ONLY IN KIT. INCLUDES FRONT AND REAR GUARD</i>
3			FRONT & REAR GUARD)	
4	0935494		MOTOR,DEFROSTER FAN	
5	2115483		BLADE,FAN,DEFROSTER,6IN,ELECTROHOME	
NI	2105013		BASE ASSY,6IN DEFROSTER FAN	
NI	1077643		PLATE,MTG,AUXILIARY FAN	<i>OPTION 0535</i>
NI	1073311		NUT,PANEL,HEX HD,1/2-20,YEL ZN DICH	
NI	1499094		SWITCH,3 POSN,HEATER	
NI	0890277		PLATE ASSY,MTG,AUXILIARY FAN, AA	<i>OPTION 0525</i>
NI	1434562		BRACKET,AUXILIARY FAN MOUNT, TCFC	
NI	1170869		BREAKER,CIRCUIT,8AMP	

**Models:** A1VC, A3FE, A3RE, B1VC, B2VC, B4RE, BBCV, BCCV, C1FE, C3FE, C4RE, CSEV, CSFE, CSRE, GMCV, GPWB, AARE, AAFE, H4RE, HDFE, L3RE, L4RE, M4RE, MBWB, Q4RE, QBEV, QBRE, SBCV, T2RE, TCEV, TCFE, TCRE, TSFE, VCTA, W4RE, WLWB  
**GROMMET CHART**

Key	PartNumber	Qty	Description	Comment
	2003150		GROMMET,CHASSIS,COWL WIRING	.16 ID
	1619477		GROMMET,RUBBER,.25 ID X .38 OD	
	2003168		GROMMET,RUBBER	.31 ID
	0890566		GROMMET,RUBBER,ATLANTIC INDIA,NO 2758	.38 ID
	2003218		GROMMET,RUBBER,3/8 ID	.38 ID
	2003226		GROMMET,RUBBER,W/S WIPER	.44 ID
	1508613		GROMMET,RUBBER,ATLANTIC INDIA #2426	.50 ID
	2003192		GROMMET,RUBBER,FC	.75 ID
	2003234		GROMMET,RUBBER,CHASSIS COWL WIRES,3/4	
	1894187		GROMMET,RUBBER,.75 ID W/1.00 X .09	
	2003200		GROMMET,RUBBER,1 IN. ID	
	2003184		GROMMET,RUBBER,HEATER PANEL,1-1/4 IN. ID	
	1610450		GROMMET,RUBBER,1.38 ID X 1.718 OD	
	1652379		GROMMET,RUBBER,1.25 ID W/1.50 X .25	
	0421792		GROMMET,1 3/4 X 1/16 X 1 1/2	
	2003176		GROMMET,HEATER HOSE,1 1/2IN ID	
	0026853		GROMMET,RUBBER,2.125 I.D.	
	0053652		GROMMET,RUBBER,1/4IDX.0625WALL"	
	0063731		GROMMET,RUBBER,1.00 ID	
	0066468		GROMMET,RUBBER,13/32 ID,3/8 GW,5/8 GD	
	0112325		GROMMET,RUBBER,1.75ID W/2.00 X .25	

Models: C3FE  
MUD GUARD  
LEFT FRONT

Key	PartNumber	Qty	Description	Comment
-----	------------	-----	-------------	---------



**Models:** C3FE  
MUD GUARD  
LEFT FRONT

Key	PartNumber	Qty	Description	Comment
			LH FRONT TIRE WITH MUD GUARD	
1	1340322		GUARD,MUD, FRONT OF LH FRONT WHEEL OR	

**Models:** C3FE  
**With:** MUDFLAPS  
STD

Key	PartNumber	Qty	Description	Comment
			REAR TIRE WITH REAR FLAP	
NI	0980383		MUDFLAP,BIRD LOGO,23.00 X 30.25	
NI	1876713		RETAINER,MUDFLAP	
NI	1877414		PLATE,BACKING,MUDFLAP	
NI	1914225		BRACKET,MUDFLAP,ANTI-SAIL,PAIR	
NI	0854406		CAPSCREW,HEX HD,5/16-18 X 1,GR8,YEL ZN	
NI	2001055		WASHER,FLAT,11/32 X 1 1/4 X 5/32,YEL ZN	
NI	2001410		NUT,HEX HD,5/16-18,YEL ZN DICH"	
NI	2001188		LOCKWASHER,SPLIT RING, 5/16,MED,YEL ZN	
			REAR TIRE WITH FRONT FLAP	
NI	1876713		RETAINER,MUDFLAP	
NI	0018445		MUDFLAP, 14.00 X 24.00	
NI	0854406		CAPSCREW,HEX HD,5/16-18 X 1,GR8,YEL ZN	
NI	2001055		WASHER,FLAT,11/32 X 1 1/4 X 5/32,YEL ZN	
NI	2001410		NUT,HEX HD,5/16-18,YEL ZN DICH"	
NI	2001188		LOCKWASHER,SPLIT RING, 5/16,MED,YEL ZN	
			FRONT TIRE WITH REAR FLAP	
NI	0018445		MUDFLAP, 14.00 X 24.00	
NI	1876713		RETAINER,MUDFLAP	
NI	0854406		CAPSCREW,HEX HD,5/16-18 X 1,GR8,YEL ZN	
NI	2001055		WASHER,FLAT,11/32 X 1 1/4 X 5/32,YEL ZN	
NI	2001410		NUT,HEX HD,5/16-18,YEL ZN DICH"	
NI	2001188		LOCKWASHER,SPLIT RING, 5/16,MED,YEL ZN	

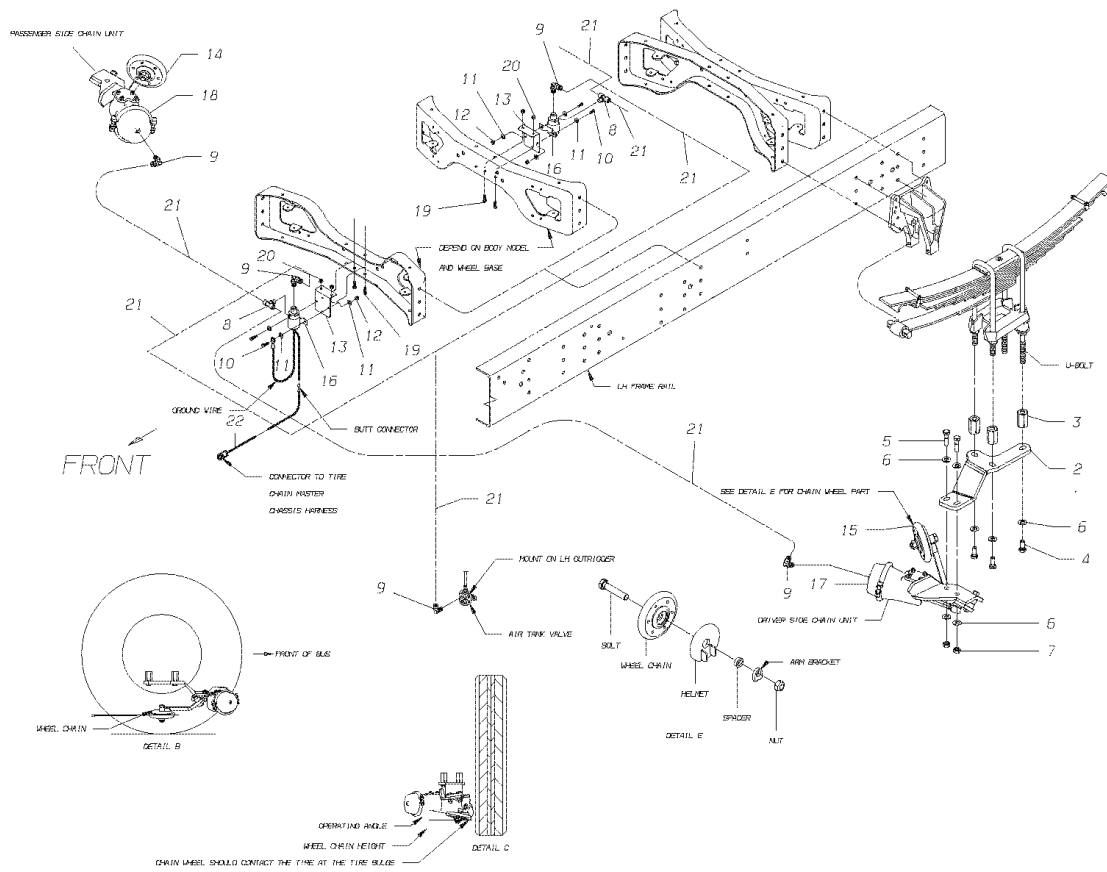
**Models:** C3FE  
**MUDFLAPS & RUBBER FENDERS**  
**With:** OPTION 0581, 0582, 0605

Key	PartNumber	Qty	Description	Comment
			REAR TIRE W/ REAR FLAP, FRONT TIRE W/	<i>OPTION 0581, 0582</i>
NI	0953968		MUDFLAP, BLACK RUBBER, 24 X 30	
			RUBBER FENDERS	<i>OPTION 0605</i>
NI	0060400	2	FENDER, RUBBER	
NI	1738533	2	RETAINER, RUBBER FENDER, REAR WHEELHOUSE	



Models: A3FE, BBCV, C3FE  
 SNOW CHAINS, ON SPOT  
 INSTALLATION  
 With: FEATURE 40390-05

Key	PartNumber	Qty	Description	Comment
-----	------------	-----	-------------	---------



**Models:** A3FE, BBCV, C3FE  
**With:** SNOW CHAINS, ON SPOT  
 INSTALLATION  
 FEATURE 40390-05

Key	PartNumber	Qty	Description	Comment
	0082349		BRACKET,MOUNTING,SNOW CHAINS,05-6452-B	CONSISTS ON THE FOLLOWING
1			BRACKET, MTG, CHAIN UNIT, PASSENGER	
2			BRACKET, MTG, CHAIN UNIT, DRIVER	
2	0082350		KIT,TIRE,CHAIN,ONSPOT 05-001	CONSISTS OF THE FOLLOWING
3		6	ADAPTER NUTS	
4		6	CAPSCREW, 5/8-11 X 1-1/2 LONG	
5		4	CAPSCREW, 5/8-11 X 2-1/4 LONG	
6		14	FLAT WASHER, 5/8	
7		4	LOCKNUT, 5/8-11	
8			CONNECTOR TEE	
9		4	CONNECTOR ELBOW	
10		2	CAPSCREW, 1/4-20 X 1 LONG	
11		4	FLATWASHER, 1/4	
12		2	LOCKNUT, 1/4-20	
13			BRACKET, MOIUNTING VALVE	
14			CHAIN WHEEL, BLUE, PASSENGER SIDE	
15			CHAIN WHEE, RED, DRIVER SIDE	
16			SOLENOID, VALVE	
17			CHAIN UNIT, DRIVER SIDE	
18			CHAIN UNIT, PASSENGER SIDE	
19	0977132	2	CAPSCREW,HEX HD,1/4-20 X 3/4,GR 5,YEL	
20	0659979	2	NUT,HEX,FLANGE SER,1/4-20,BLACK ZINC	
21	0989319	AR	TUBING,PLASTIC,3/8 OD,BLACK,SAE J844 TYPE	

**Models:** A3FE, BBCV, C3FE  
**SNOW CHAINS, ON SPOT  
 INSTALLATION**  
**With:** FEATURE 40390-05

Key	PartNumber	Qty	Description	Comment
22	0084313		WIRE,ASSY,TIRE CHAINS,FEA 40390-05	
NI	0036507		TERMINAL,BUTT CONN,14-16GA,INSL,HEAT	<i>BBCV ONLY</i>
NI	0103224		HARNESS,WRG,TIRE CHAIN,FEA 40390-05,	<i>BBCV ONLY</i>
NI	0084312		HARNESS,WRG,TIRE CHAINS,MSTR CHAS	<i>A3/C3 ONLY</i>
NI	1161876		RELAY,ISO,W/O TAB	<i>A3/C3 ONLY</i>

Models: C3FE  
SUN VISOR ASSY

Key	PartNumber	Qty	Description	Comment
NI	1468123		SUN VISOR ASSY,OPAQUE BLACK	
NI			SUN VISOR	
NI	1468115		SUN VISOR,OPAQUE BLACK	
NI	1221126		SUN VISOR,PLEXIGLAS,30I	
NI	1215383		EXTRUSION,SUN VISOR,30,PLEXIGLAS	
NI	1221142	4	BRACKET,MTG,SUN VISOR,PLEXIGLAS	
NI	1221159	2	SUPPORT,SUN VISOR,PLEXIGLAS	
NI	1247709	4	WASHER,FLAT,17/64 ID X,5/8,YEL ZN DICH	
NI	1047711	8	WASHER,1/4 X 11/16 X 1/16,NYLON	
NI	0977132	2	CAPSCREW,HEX HD,1/4-20 X 3/4,GR 5,YEL	
NI	2001345	2	NUT,HEX HD,1/4-20,LOCKING,YELLOW	
NI	1230614	2	SCREW,STUD,1/4 DIA W/HEX CENTER	
NI	1230622	2	NUT,HEX HD,1/4-28,NYLON INSERT,YEL ZN	
NI			TRIM, VINYL, DOUBLE LIP	
NI	1278316		TRIM,VINYL,BROWN,DOUBLE LIP,75000327	
NI	1702547		TRIM,VINYL,GRAY,DOUBLE LIP,75000321	