

Chassis

060 Engine Trim

AIR INTAKE

CAT C12

_____ 1

CAT C13

*With: FEATURE 40192-03, -04
To CSN 04/10/05*

_____ 2

*With: FEATURE 40192-03, -04
From CSN 04/11/05*

_____ 3

DD SERIES 60

_____ 4

ALTERNATOR

CAT C12

_____ 5

CAT C12

_____ 6

ENGINE TRIM

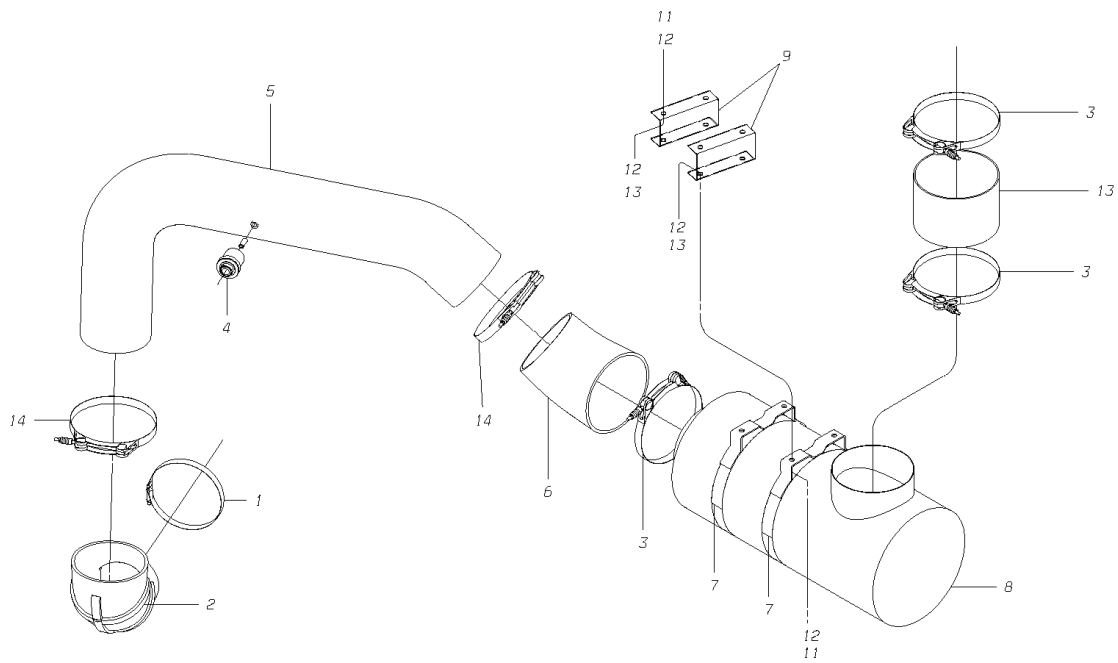
C13

With: FEATURE 40192-03, -04

_____ 7

Models: **M4RE**
AIR INTAKE
CAT C12

Key	PartNumber	Qty	Description	Comment
-----	------------	-----	-------------	---------

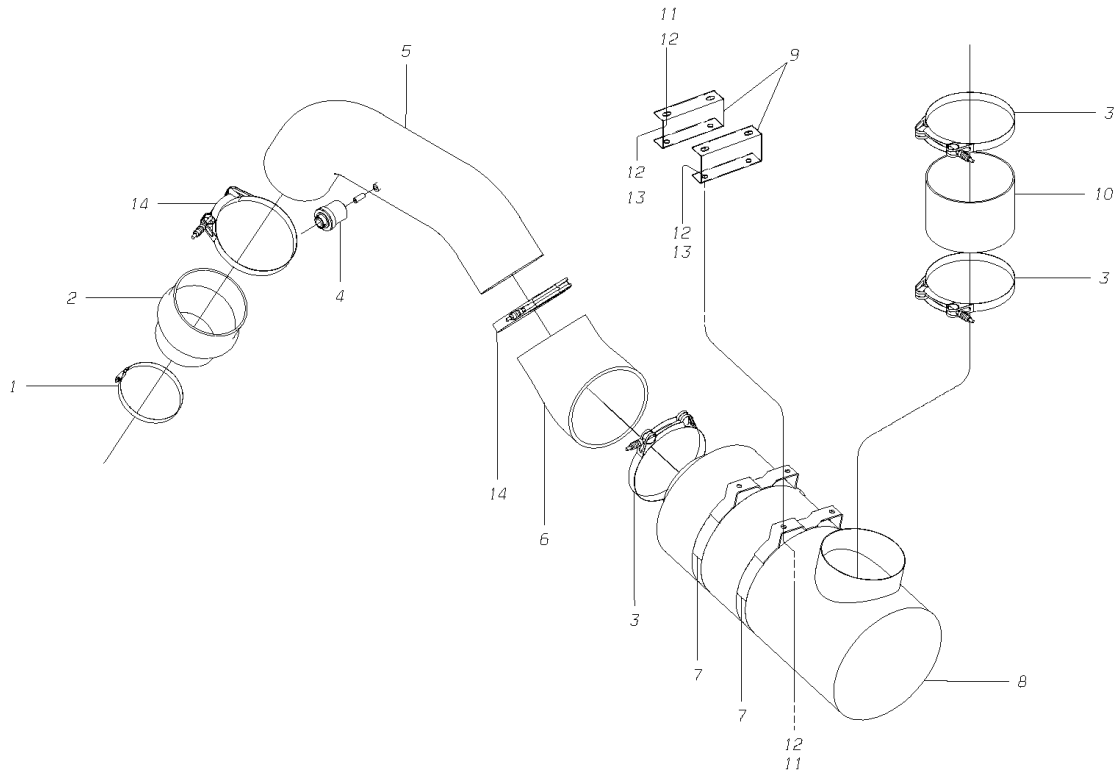


Models: **M4RE
AIR INTAKE
CAT C12**

Key	PartNumber	Qty	Description	Comment
1	1432798		CLAMP,SPRING LOADED,5.50 ID,5.31-5.62	
2	1789262		ELBOW,RUBBER,6.00 ID X 5.00 ID 90 DEG S/R	
3	1421965	3	CLAMP,SPRING LOADED,7.50 ID,7.25-7.56	
4	1977255		INDICATOR,AIR RESTRICTION,25 IN,W/O	
5	0054474		TUBE,AIR INTAKE,CAT C12	
6	1982719		ELBOW,RUBBER,REDUCING,45 DEG,6.00 X 7.00	
7	1657642	2	CLAMP ASSY,AIR CLEANER,ECO,071921-004	
8	0056377		AIR CLEANER ASSY,ECO-LL FARR 400820-001	
9	0057292	2	BRACKET,MTG,AIR CLEANER TO DAVENPORT	
10	0002093		HOSE,RUBBER,STRAIGHT,7 IN ID 3.50 IN LONG	
11	0559195	8	CAPSCREW,HEX HD,3/8-16 X 1,GR 8,YEL ZN	
12	1107085	18	WASHER,FLAT,13/32 X 13/16 X 3/32,HDN,BLK	
13	0826297	8	NUT,HEX HD,3/8-16 LOCK,YEL ZN DICH	
14	1856038	2	CLAMP,SPRING LOADED,6.50 ID,6.25-6.56	

Models: H4RE, M4RE
AIR INTAKE
CAT C13
With: FEATURE 40192-03, -04
To CSN 04/10/05

Key	PartNumber	Qty	Description	Comment
-----	------------	-----	-------------	---------

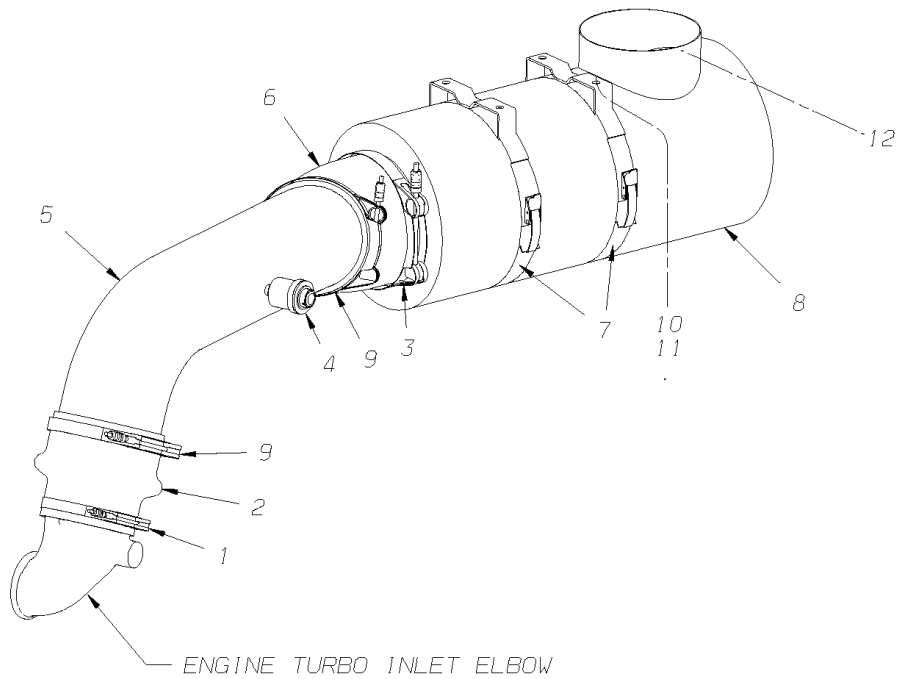
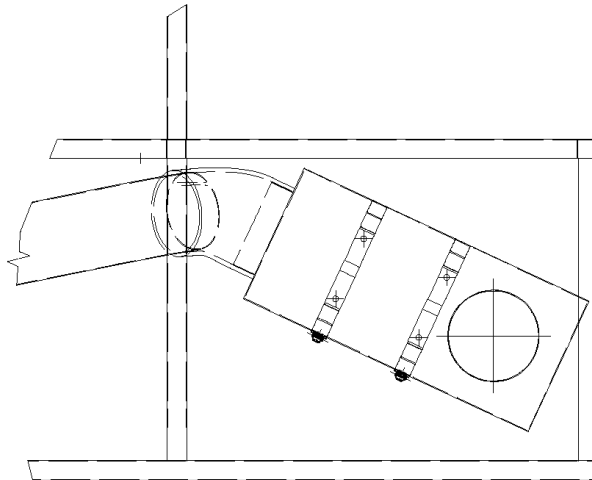


Models: H4RE, M4RE
**AIR INTAKE
 CAT C13**
With: FEATURE 40192-03, -04
 To CSN 04/10/05

Key	PartNumber	Qty	Description	Comment
1	1432798		CLAMP,SPRING LOADED,5.50 ID,5.31-5.62	
2	0073132		HOSE,REDUCER,HUMP,6 IN TO 5 IN	
3	1421965	3	CLAMP,SPRING LOADED,7.50 ID,7.25-7.56	
4	1977255		INDICATOR,AIR RESTRICTION,25 IN,W/O	
5	0075135		TUBE,AIR INTAKE,CAT C13,V2	
6	1982719		ELBOW,RUBBER,REDUCING,45 DEG,6.00 X 7.00	
7	1657642	2	CLAMP ASSY,AIR CLEANER,ECO,071921-004	
8	0056377		AIR CLEANER ASSY,ECO-LL FARR 400820-001	
9	0057292	2	BRACKET,MTG,AIR CLEANER TO DAVENPORT	
10	0002093		HOSE,RUBBER,STRAIGHT,7 IN ID 3.50 IN LONG	
11	0059195	8	BM L4RE 35'BODY MISC (PRIMER,	
12	1107085	16	WASHER,FLAT,13/32 X 13/16 X 3/32,HDN,BLK	
13	0826297	8	NUT,HEX HD,3/8-16 LOCK,YEL ZN DICH	
14	1856038	2	CLAMP,SPRING LOADED,6.50 ID,6.25-6.56	

Models: **M4RE**
AIR INTAKE
CAT C13
 With: **FEATURE 40192-03, -04**
 BSN: **From CSN 04/11/05**

Key	PartNumber	Qty	Description	Comment
-----	------------	-----	-------------	---------

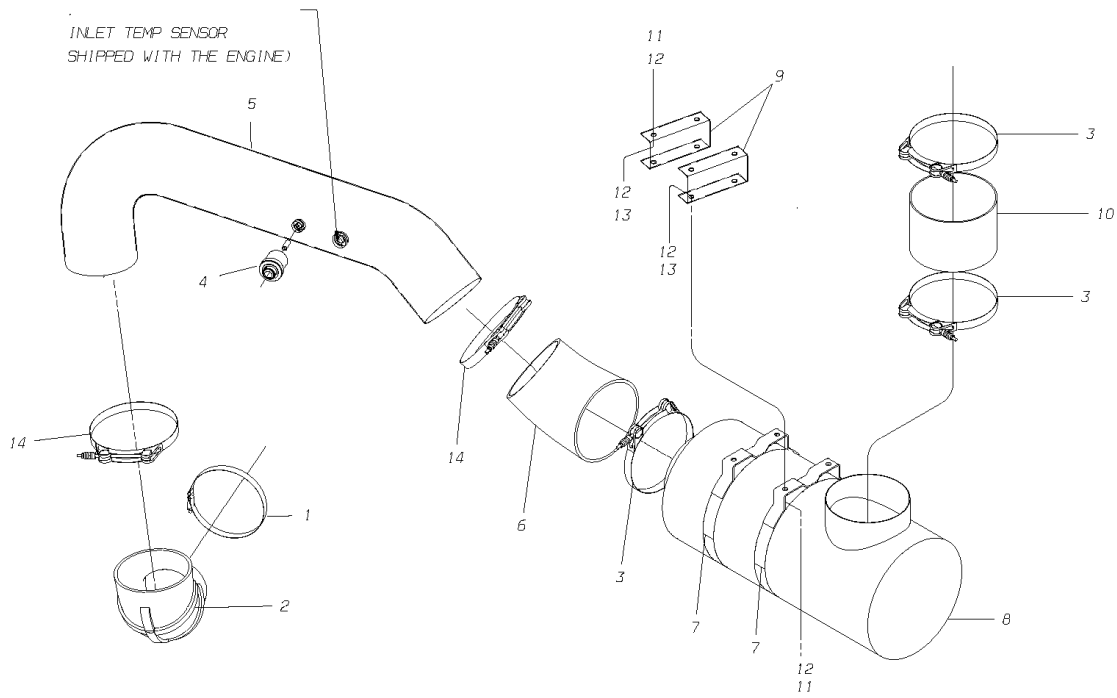


Models: M4RE
AIR INTAKE
CAT C13
With: FEATURE 40192-03, -04
BSN: From CSN 04/11/05

Key	PartNumber	Qty	Description	Comment
1	1432798		CLAMP,SPRING LOADED,5.50 ID,5.31-5.62	
2	0073132		HOSE,REDUCER,HUMP,6 IN TO 5 IN	
3	1421965		CLAMP,SPRING LOADED,7.50 ID,7.25-7.56	
4	1977255		INDICATOR,AIR RESTRICTION,25 IN,W/O	
5	0075135		TUBE,AIR INTAKE,CAT C13,V2	
6	1982719		ELBOW,RUBBER,REDUCING,45 DEG,6.00 X 7.00	
7	1657642	2	CLAMP ASSY,AIR CLEANER,ECO,071921-004	
8	0056377		AIR CLEANER ASSY,ECO-LL FARR 400820-001	
9	1856038	2	CLAMP,SPRING LOADED,6.50 ID,6.25-6.56	
10	1107085	4	WASHER,FLAT,13/32 X 13/16 X 3/32,HDN,BLK	
11	0826297	4	NUT,HEX HD,3/8-16 LOCK,YEL ZN DICH	
12	0864579	4	SCREW,10-16 X 3/4,AB,PH1,PAN HD,SST	

Models: **M4RE**
AIR INTAKE
DD SERIES 60

Key	PartNumber	Qty	Description	Comment
-----	------------	-----	-------------	---------

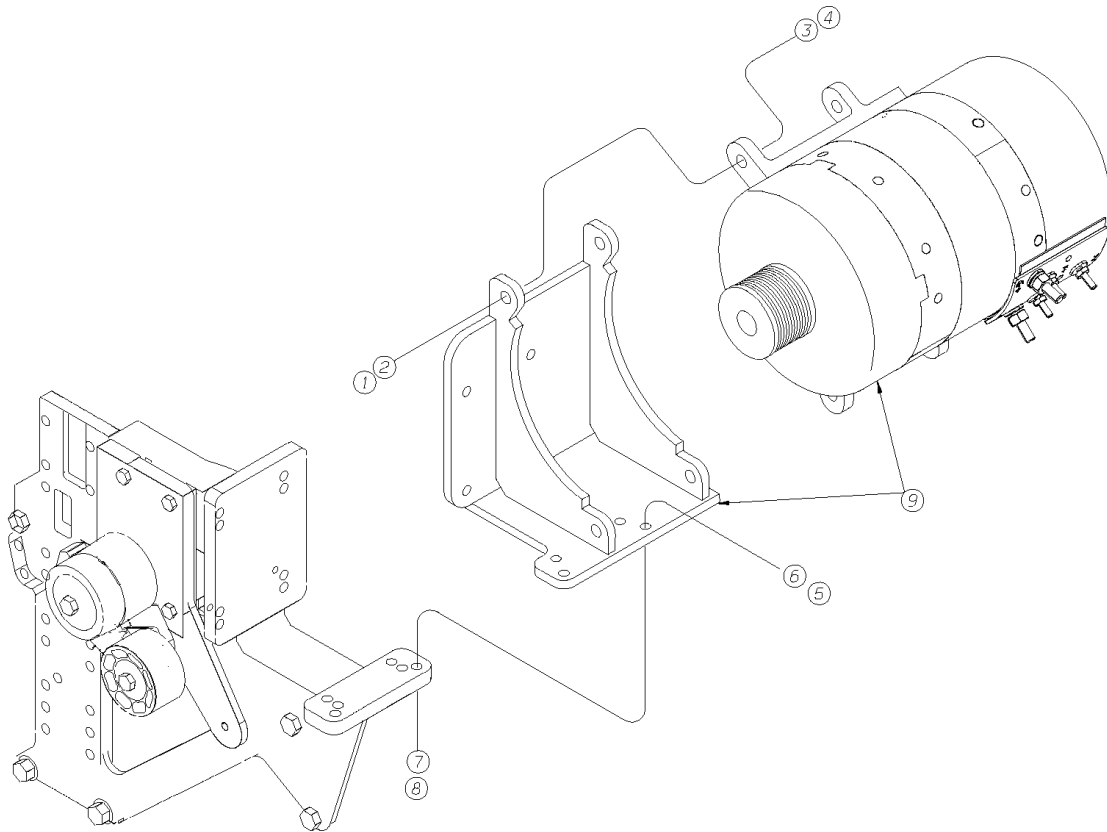


Models: **M4RE**
AIR INTAKE
DD SERIES 60

Key	PartNumber	Qty	Description	Comment
1	1432798		CLAMP,SPRING LOADED,5.50 ID,5.31-5.62	
2	1789262		ELBOW,RUBBER,6.00 ID X 5.00 ID 90 DEG S/R	
3	1421965	3	CLAMP,SPRING LOADED,7.50 ID,7.25-7.56	
4	1977255		INDICATOR,AIR RESTRICTION,25 IN,W/O	
5	0062900		TUBE,AIR,INTAKE,DD S60	
6	1982719		ELBOW,RUBBER,REDUCING,45 DEG,6.00 X 7.00	
7	1657642	2	CLAMP ASSY,AIR CLEANER,ECO,071921-004	
8	0056377		AIR CLEANER ASSY,ECO-LL FARR 400820-001	
9	0057292	2	BRACKET,MTG,AIR CLEANER TO DAVENPORT	
10	0002093		HOSE,RUBBER,STRAIGHT,7 IN ID 3.50 IN LONG	
11	0559195	8	CAPSCREW,HEX HD,3/8-16 X 1,GR 8,YEL ZN	
12	1107085	16	WASHER,FLAT,13/32 X 13/16 X 3/32,HDN,BLK	
13	0826297	8	NUT,HEX HD,3/8-16 LOCK,YEL ZN DICH	
14	1856038	2	CLAMP,SPRING LOADED,6.50 ID,6.25-6.56	

Models: H4RE, M4RE
ALTERNATOR
CAT C12

Key	PartNumber	Qty	Description	Comment
-----	------------	-----	-------------	---------

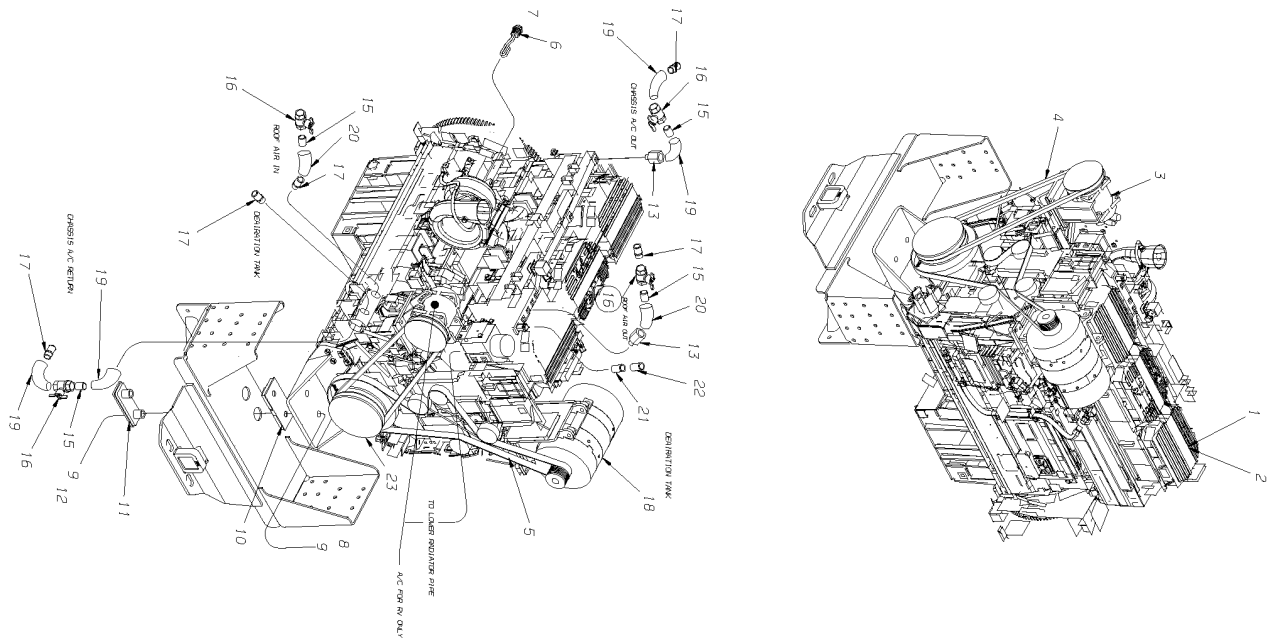


**Models: H4RE, M4RE
ALTERNATOR
CAT C12**

Key	PartNumber	Qty	Description	Comment
1	0803205	4	CAPSCREW,HEX HD,1/2-13 X 2,GR 8,YEL ZN	
2	1003045	4	WASHER,FLAT,17/32 X 1 1/16 X 7/64,HDN,	
3	2001212	4	LOCKWASHER,SPLIT RING, 1/2 ,LHT,YEL ZN	
4	2001477	4	NUT,HEX HD,1/2-13,YEL ZN DICH	
5	0801910	8	CAPSCREW,HEX HD,3/8-16 X 2,GR8,YEL ZN	
6	1107085	8	WASHER,FLAT,13/32 X 13/16 X 3/32,HDN,BLK	
7	0882795	8	LOCKWASHER,SPLIT RING,3/8,MED,YELLOW	
8	1013689	8	NUT,HEX HD,3/8-16,WASHER SER,YEL ZN DICH	
9	0054513		KIT,ALTERNATOR,24V VLF,CAT C12	
	0085725		BRACKET,ALTERNATOR,24V,290A,C12"	<i>PART OF ITEM 9</i>
	0077070		ALTERNATOR,LEECE-NEVILLE,24V,290 AMP	<i>PART OF ITEM 9</i>
	0077071		REGULATOR,ALTERNATOR,24V,LEECE-NEVILLE	<i>PART OF ITEM 9</i>

**Models: M4RE
CAT C12**

Key	PartNumber	Qty	Description	Comment
-----	------------	-----	-------------	---------



Models: **M4RE**
CAT C12

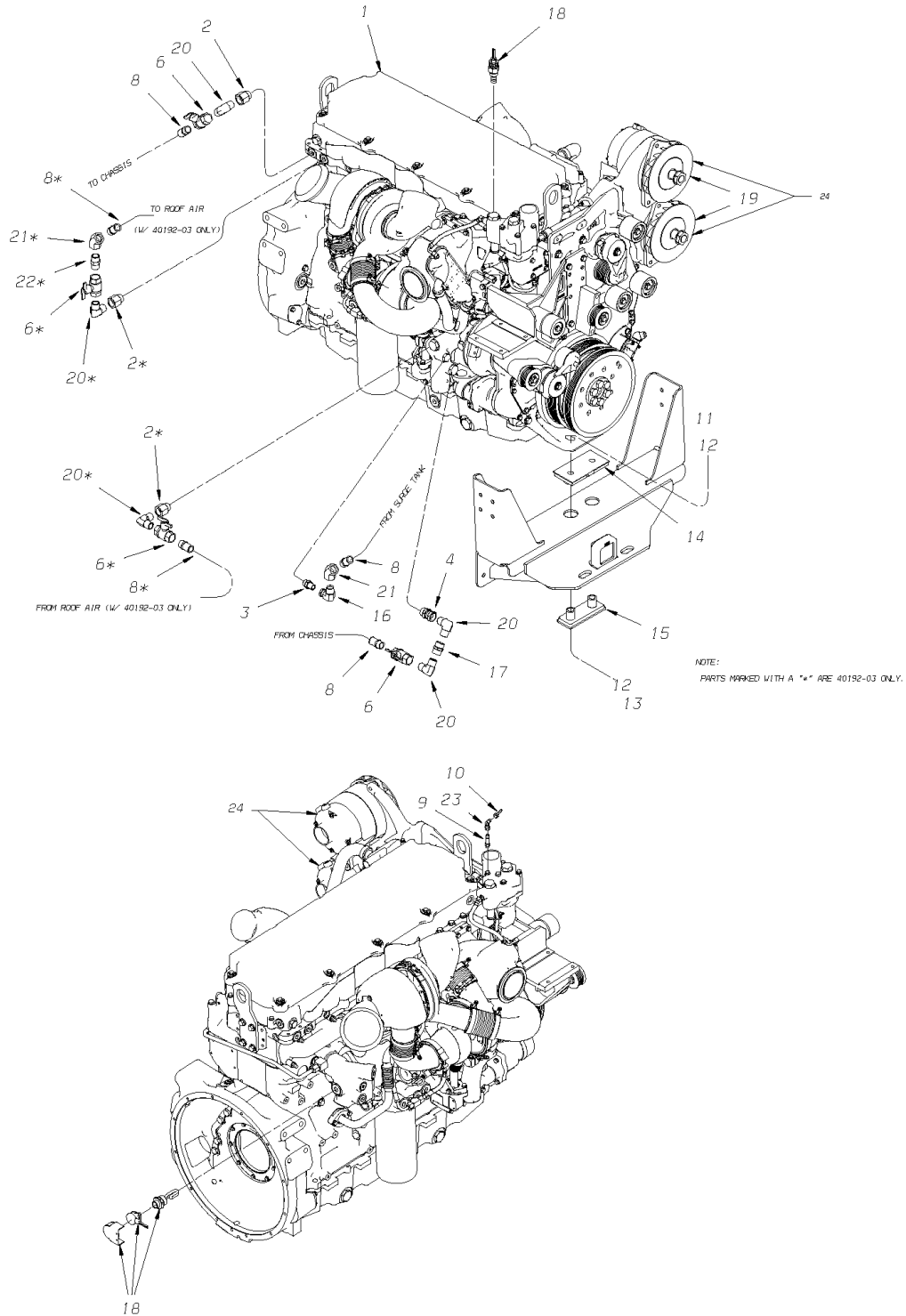
Key	PartNumber	Qty	Description	Comment
1	0056193		ENGINE ASSY,CAT C12,410/1450,10/02, M4RE	<i>ENDING WITH CSN 10000864, M4RE ONLY</i>
1	0071774		ENGINE ASSY,CAT,C12,410/1450,10/03	<i>BEGIN WITH CSN 10000865, M4RE ONLY</i>
3	0056502		KIT,MTG,COMPRESSOR ASSY,05G,CAT C12,	<i>M4RE ONLY</i>
4	0059242		BELT,67.75X11/16,B-SECTION,V-GROOVE	<i>H4RE ONLY</i>
5	0059241		BELT,DRIVE,8V X 2335 MM (91.92 IN)	<i>90.55 IN</i>
6	0056298		HEATER,ENGINE BLOCK,1250 WATTS,C12,120V	
7	1570258		CABLE ASSY,ENG BLK HTR	
8	0870873	2	CAPSCREW,HEX HD,3/4-10 X 4,GR 8,YEL ZN	
9	0870915	4	WASHER,FLAT,27/32 X 1 1/2 X 1/8,YEL ZN	
10	0052808		MOUNT,FRONT,BARRY 26703-2	
11	0052806		MOUNT,FRONT REBOUND,BARRY 26704-1	
12	0933879	2	NUT,HEX HD,3/4-10,PRVLG TORQ,GR8,CAD	
13	1900752		ADAPTER,1/2 NPTM,3/4 NPTF	
14	1877166	4	ELBOW,STREET,3/4,3400 X 12	
15	1900729	2	NIPPLE,HEX,3/4 MPT	
16	1626431	2	VALVE,BALL,3/4,W/BUTTERFLY HANDLE	
17	0315200	3	ADAPTER,HTR,3/4 PIPE X 1 HOSE	
18	0054513		KIT,ALTERNATOR,24V VLF,CAT C12	
	0085725		BRACKET,ALTERNATOR,24V,290A,C12"	<i>PART OF ITEM 18</i>
	0077070		ALTERNATOR,LEECE-NEVILLE,24V,290 AMP	<i>PART OF ITEM 18</i>
	0077071		REGULATOR,ALTERNATOR,24V,LEECE-NEVILLE	<i>PART OF ITEM 18</i>
NI	0055739		COMPRESSOR ASSY,CARRIER,05G, M4RE	<i>M4RE ONLY</i>
19	0760249		ELBOW,STREET,3/4,90 DEG,GALV	

Models: **M4RE**
CAT C12

Key	PartNumber	Qty	Description	Comment
20	1626431		VALVE,BALL,3/4,W/BUTTERFLY HANDLE	
21	2027134		BUSHING,PIPE,3/8 X 1/4,BRASS	
22	1454008		INSERT,BARBED,3/8 ID HOSE X 1/4 MPT	
23	0072758		PULLEY,WHEEL,8 DIA,2 GROOVE,5VX-SECTION"	
NI	0077083		FILTER,FUEL,ENGINE,CAT,C12/13	
NI	0077082		SHELL,ASSY,CLOSEOUT,CO-PILOT,SIDEWALL	
NI	0082791		FILTER,OIL,ENGINE,BYPASS,C-12/13	

Models: H4RE, M4RE
ENGINE TRIM
C13
With: FEATURE 40192-03, -04

Key	PartNumber	Qty	Description	Comment
-----	------------	-----	-------------	---------



Models: H4RE, M4RE
ENGINE TRIM
C13
With: FEATURE 40192-03, -04

Key	PartNumber	Qty	Description	Comment
1	0068170		ENGINE ASSY,CAT,C13,410/1450	FEATURE 40192-03
1	0067608		ENGINE ASSY,CAT,C13,525/1650	FEATURE 40192-04
2	0071591	3	FITTING,PARKER,12-3/4 F5OG-S	
3	0071882		FITTING,PARKER,10-1/2 F5OF-S	
4	0071865		FITTING,PARKER,0507-12-12-S	
6	1626431	4	VALVE,BALL,3/4,W/BUTTERFLY HANDLE	
8	0315200	5	ADAPTER,HTR,3/4 PIPE X 1 HOSE	
9	0071881		FITTING,PARKER,4 FF5OX-S	
10	0071592		FITTING,PARKER,146HBLFSV-4-4	
11	0870873	2	CAPSCREW,HEX HD,3/4-10 X 4,GR 8,YEL ZN	
12	0870915	4	WASHER,FLAT,27/32 X 1 1/2 X 1/8,YEL ZN	
13	0933879	2	NUT,HEX HD,3/4-10,PRVLG TORQ,GR8,CAD	
14	0052808		MOUNT,FRONT,BARRY 26703-2	
15	0052806		MOUNT,FRONT REBOUND,BARRY 26704-1	
16	0073016		FITTING,PARKER,2107-12-8-S	
17	0055231		COUPLING,3/4" NPT,BRASS,WH#3300X12	
18	0075076		KIT,HEATER,ENG BLOCK,HOT START	
	0075073		HEATER,COOLANT,HOT START	
	0075074		THERMOSTAT,HEATER,HOT START,W/ CORD &	
19	0073358		ALTERNATOR,ENG,BOSCH,T1,0-120-689-552	M4RE ONLY
20	0073482		ELBOW,90 DEG,MALE PIPE,3/4-14 NPTF	
21	0055120		ELBOW,45 DEG,3/4 FEM TO FEM,FPT,C3559X12	
22	1900729		NIPPLE,HEX,3/4 MPT	MPT. M4RE ONLY

Models: H4RE, M4RE
ENGINE TRIM
C13
With: FEATURE 40192-03, -04

Key	PartNumber	Qty	Description	Comment
23	0077222		FITTING,PARKER,4 V6X-S	
24	0080458	2	MODULE,ELEC,ALT,140A/24VDC,TYPE AC172	<i>WITH REMOTE REG. H4RE ONLY</i>
NI	0077083		FILTER,FUEL,ENGINE,CAT,C12/13	
NI	0082791		FILTER,OIL,ENGINE,BYPASS,C-12/13	
NI	0082792		FILTER,OIL,ENGINE,PRIMARY,C-13"	