

Chassis

080 Electrical

BATTERY

INSTALLATION

8D

_____ 1

BUZZER, DASH

_____ 2

CONVERTER, MAIN FRONT

With: FEATURE 38112-32
 _____ 3

PANEL ASSEMBLIES

A-ZONE, MAIN FRONT

INSTALLATION

_____ 4

B-ZONE

INSTALLATION

_____ 5

B1, B2-ZONE

_____ 6

C-ZONE

INSTALLATION

_____ 7

C1-ZONE

PASSENGER SIDE

_____ 8

C2-ZONE

DRIVER SIDE

_____ 9

MAIN FRONT ELECTRICAL, A-ZONE

_____ 10

MAIN REAR, D-ZONE, ELECTRICAL

With: FEATURE 40192-02 (CAT C-12 ENGINE)
 _____ 11

REAR PDC

_____ 12

INSTALLATION

_____ 13

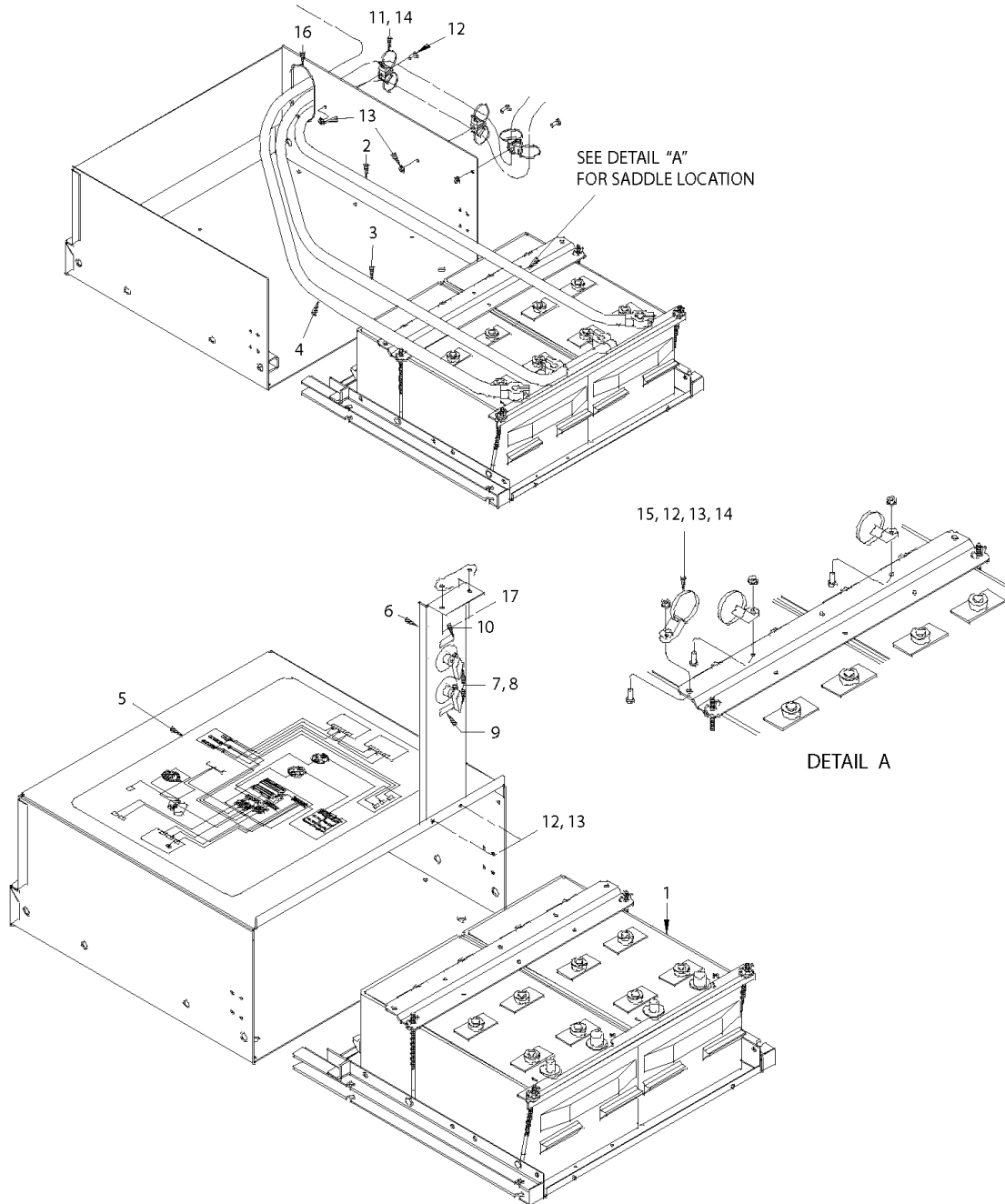
REAR PDC, C13

_____ 14

REAR, D-ZONE, ELECTRICAL, DDEC IV/60 <i>With: FEATURE 40190-01</i>	15
SWITCH, DRIVER'S ARMREST INSTALLATION	16
REAR CONTROL BOX	17
SWITCH PANEL DASH INSTALLATION	18
LEFT, LOWER, BLACK	19
LEFT, MIDDLE, BLACK	20
LEFT, UPPER, BLACK	21
PANEL ASSEMBLY, DRIVER ARM REST, FRONT & REAR, BLACK	22
PANEL ASSEMBLY, DRIVER ARM REST, FORWARD	23
PANEL ASSEMBLY, RIGHT, LOWER, BLACK	24
PANEL ASSEMBLY, RIGHT, MIDDLE, BLACK	25
PANEL ASSEMBLY, RIGHT, UPPER, BLACK	26
SWITCH IDENTIFICATION	27
TOE PLUG, FRONT & REAR	28

Models: **M4RE
BATTERY
INSTALLATION
8D**

Key	PartNumber	Qty	Description	Comment
-----	------------	-----	-------------	---------

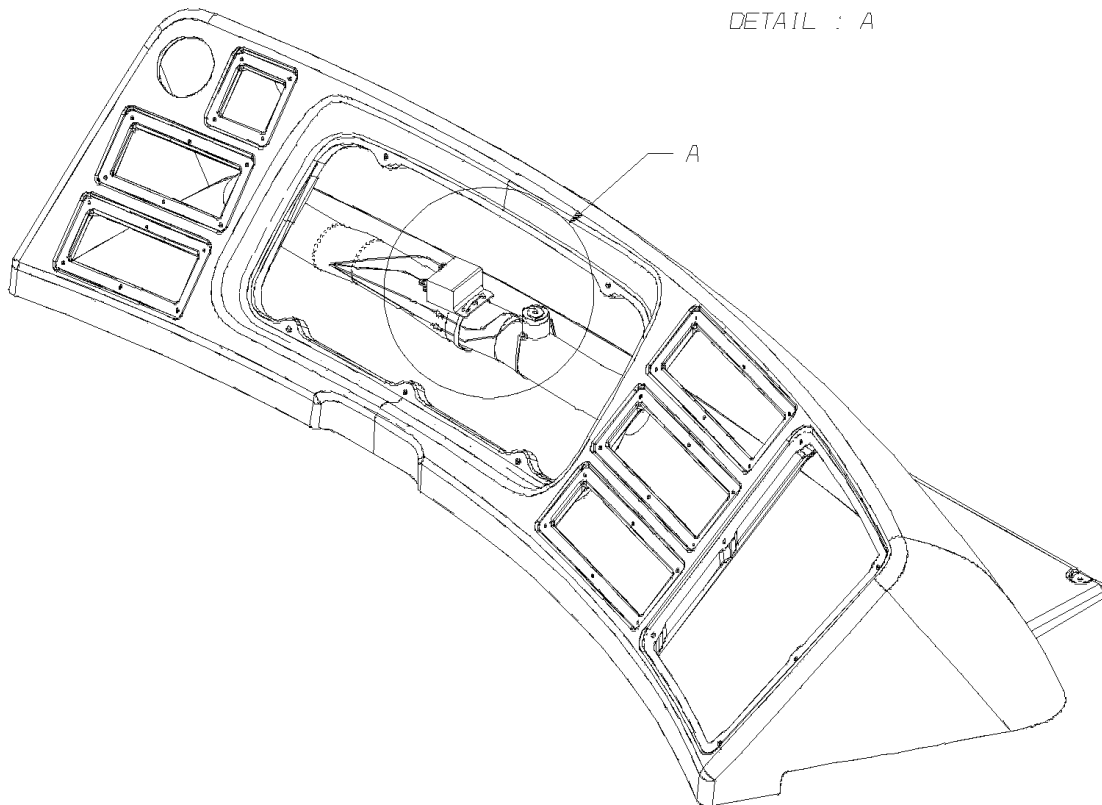
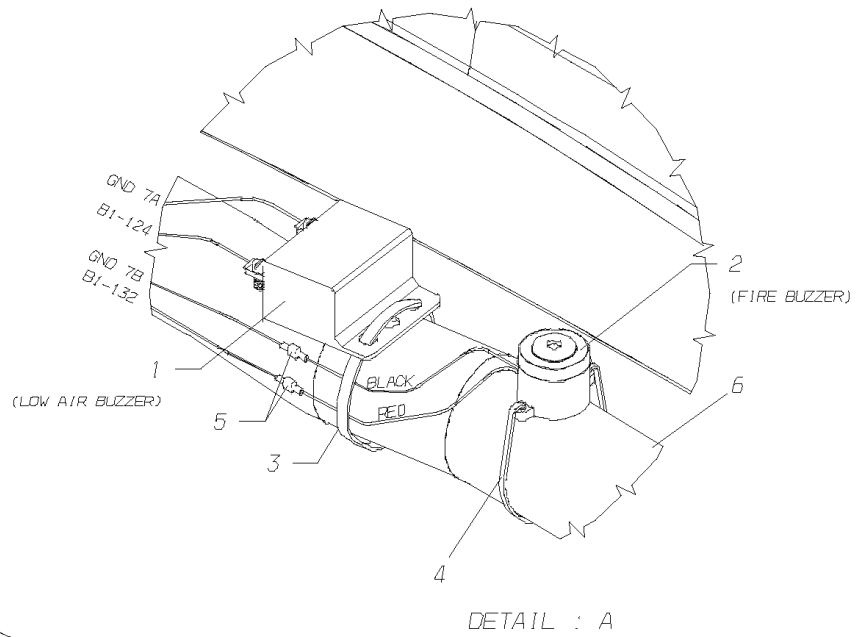


Models: M4RE
**BATTERY
 INSTALLATION
 8D**

Key	PartNumber	Qty	Description	Comment
1	0014955	2	BATTERY,8D	
2	0054986		CABLE,BAT,POS,4/0,.531 X 95.00,LM,GN	
3	0054985		CABLE ,BAT,POS/NEG,4/0,DUAL BATTERIES,	
4	0054987		CABLE,BAT,NEG,4/0,.406 X 70.00,LM,BK	
5	0058296		DECAL,POWER CABLE, M4RE	
6	0058958		BRACKET,MTG,BATTERY DISCONNECT SWITCH,	
7	1902337	2	SWITCH,DISCONNECT,BATTERY,DOUBLE POLE	
8	0006304	2	FACE PLATE,BATTERY SWITCH,DOUBLE POLE	
9	0059038		DECAL,12V	
10	0059039		DECAL,24V	
11	0030876	3	2 WAY SADDLE MOUNT,S2HM25	
12	0870477	8	CAPSCREW,HEX HD,1/4-20 X 1,GR 8,YEL ZN	
13	0659979	8	NUT,HEX,FLANGE SER,1/4-20,BLACK ZINC	
14	0029998	9	TIE,CABLE,250 LB	
15	0024168	3	MOUNT,HEAVY DUTY,.25 HOLE SIZE	
16	2004547	10	TRIM,INSTRUMENT HOOD,VINYL EDGE,BLACK	
17	1409788	2	SCREW,1/4-20 X 3/4,D,HEX HD,YEL ZN DICH	

Models: **M4RE**
BUZZER, DASH

Key	PartNumber	Qty	Description	Comment
-----	------------	-----	-------------	---------

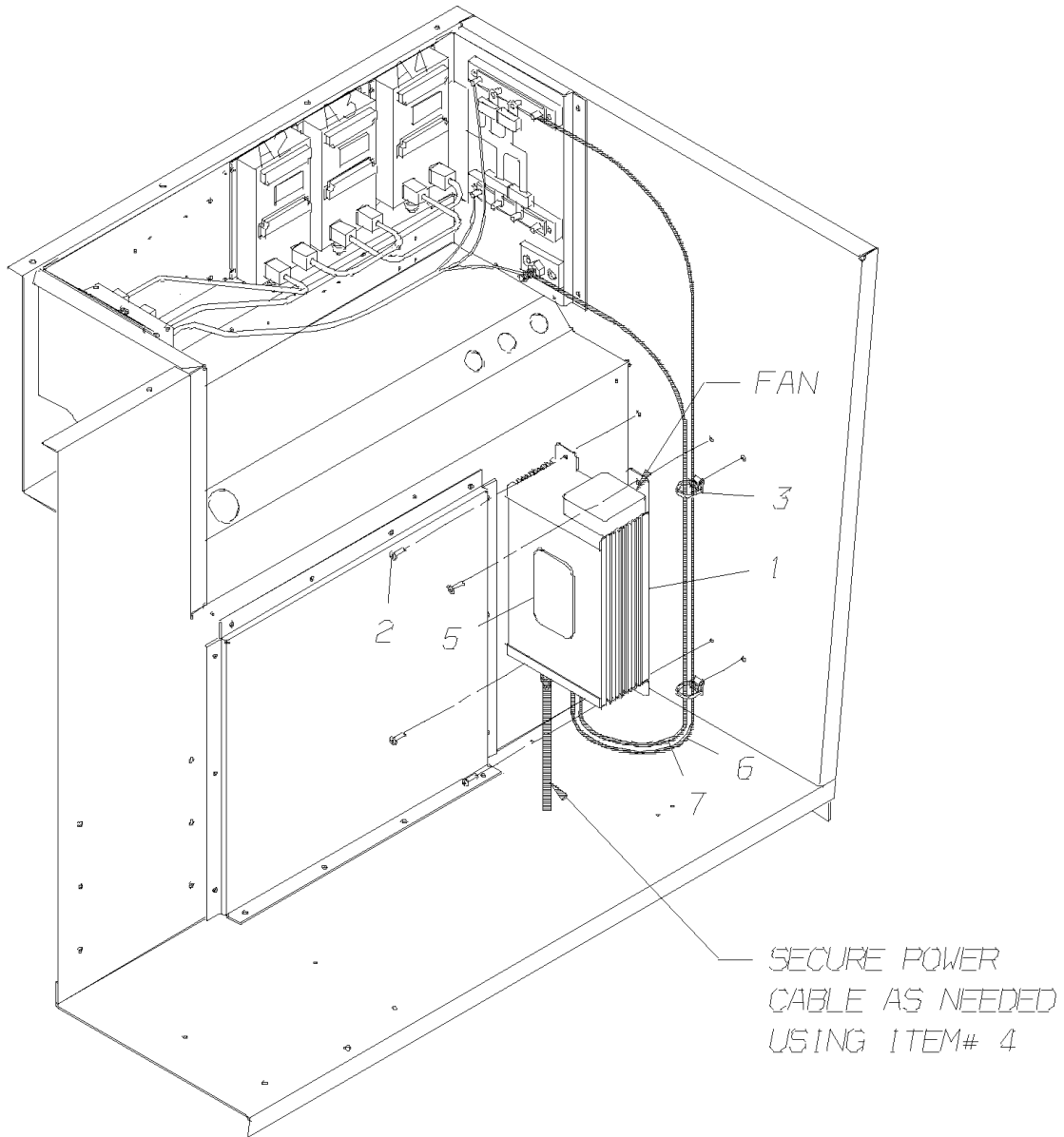


**Models: M4RE
BUZZER, DASH**

Key	PartNumber	Qty	Description	Comment
1	0021437		BUZZER, R.E.D / R.E.W / P.O.W	
2	0059091		BUZZER,FIRE,CONTINUOUS TONE	
3	0599704		TIE,CABLE,NYLON	
4	0059567	2	TIE,CABLE,18 LB	
5	0028032	2	TERMINAL,BLADE,1/4,14-16 GA,FULL	
6	0055836		HARNES,WRG,MAIN FRONT/B ZONE, M4RE	

Models: M4RE
With: CONVERTER, MAIN FRONT
 FEATURE 38112-32

Key	PartNumber	Qty	Description	Comment
-----	------------	-----	-------------	---------

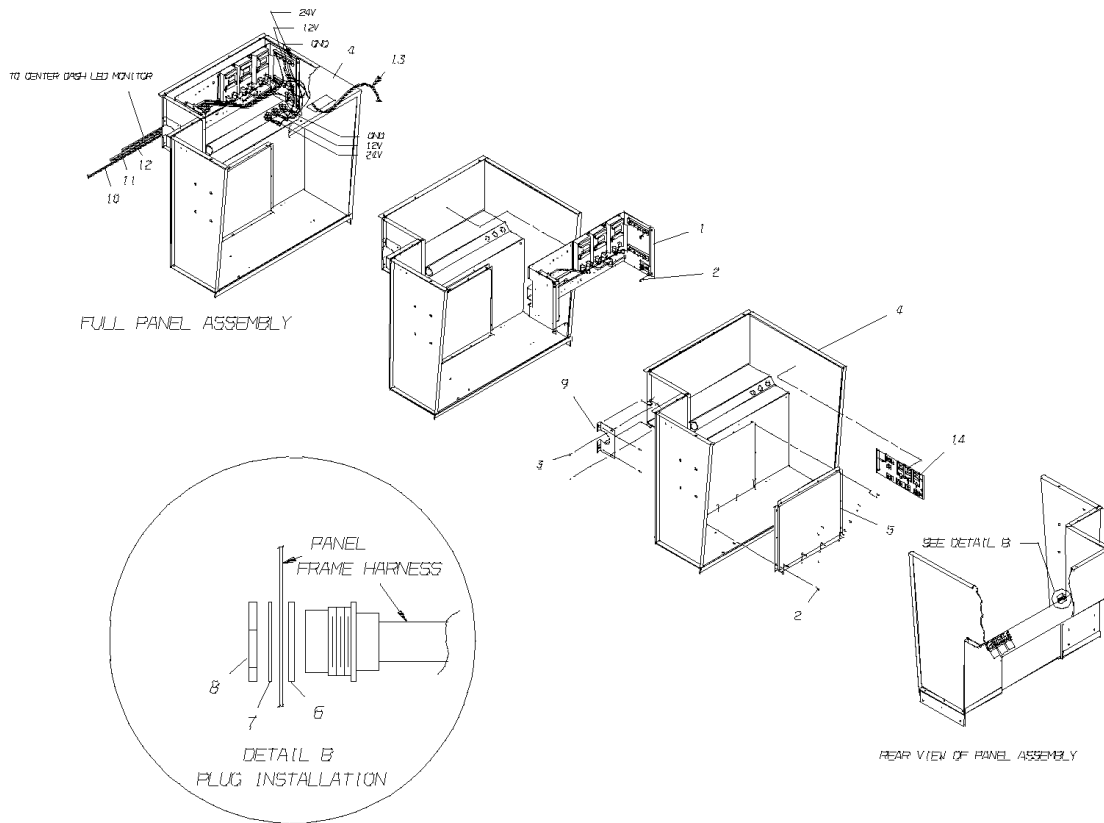


Models: M4RE
With: CONVERTER, MAIN FRONT
 FEATURE 38112-32

Key	PartNumber	Qty	Description	Comment
1	0060087		CONVERTER,120V TO 24V,40 AMPS	
2	1268119	4	SCREW,1/4-20X1/2,F,PH1,PAN HD,YEL ZN DICH	
3	1653948		TIE,CABLE,NYLON PUSH MOUNT	
4	0599704	2	TIE,CABLE,NYLON	
5	0060107		DECAL,CONVERTER	
6	0060111		CABLE ASSY,POS,6 GA,.25 X NONE X 40,LM,GN	
7	0060112		CABLE ASSY,NEG,6 GA,.25 X NONE X 30,LM,BK	

Models: **M4RE**
PANEL ASSEMBLIES
A-ZONE, MAIN FRONT
INSTALLATION

Key	PartNumber	Qty	Description	Comment
-----	------------	-----	-------------	---------

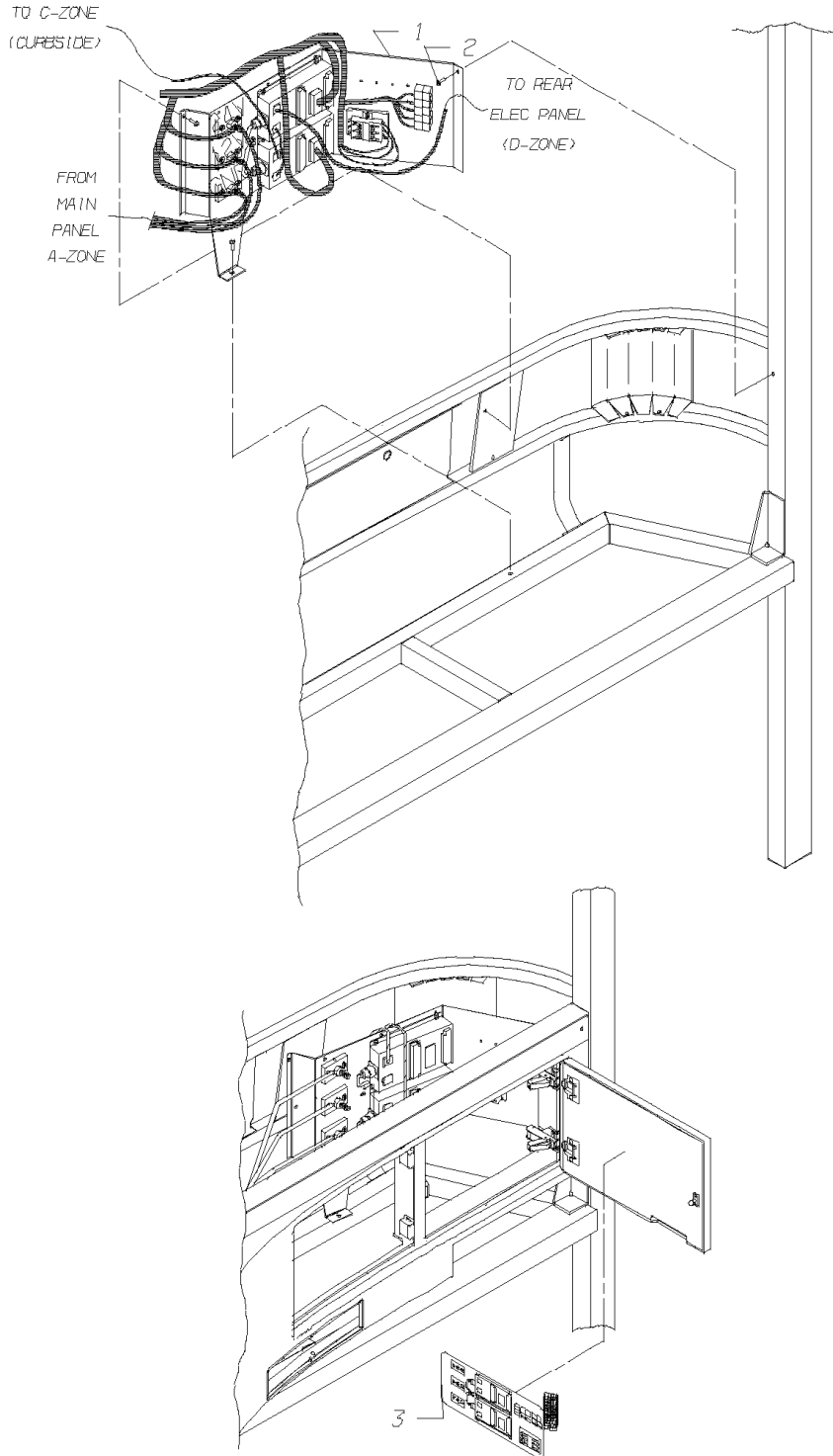


**Models: M4RE
 PANEL ASSEMBLIES
 A-ZONE, MAIN FRONT
 INSTALLATION**

Key	PartNumber	Qty	Description	Comment
1	0054977		PANEL ASSY,MAIN FRONT,A ZONE,ELEC, M4RE	
2	2000636	18	SCREW,1/4-14 X 1/2,AB,PH1,PAN HD,YEL	
3	2186401	4	SCREW,10-16 X 1/2,AB,PH1,PAN HD,YEL ZN	
4	0055275		COMPARTMENT ASSY,L/CMPT,DRV AREA, M4RE	
5	0054419		COVER,ACCESS,STEERING GEAR, M4RE	
6	0002662		GASKET,CONNECTOR,24 SHELL,DEUTSCH	
7	1985001		LOCKWASHER,BLKHD,HD30,SIZE 24,DEUTSCH	
8	1984996		NUT,PANEL,BLKHD,HD30,SIZE 24,DEUTSCH	
9	0057859		PANEL,CLOSEOUT,HARNESS,CMPT,DRV AREA,	
10	0058106		HARNESS,CABLE ASSY,FRT MAIN TO B ZONE,	
11	0054988		HARNESS,CABLE ASSY,FRT MAIN TO RR PDC,	
12	0049247		HARNESS,WRG,DATALOOP,TYPE A 100.00, L4RE	
13	0055228		HARNESS,CABLE ASSY,FRT MAIN TO C2 ZONE,	
14	0058961		DECAL,FRONT,MAIN ELECTRICAL, M4RE	

**Models: M4RE
PANEL ASSEMBLIES
B-ZONE
INSTALLATION**

Key	PartNumber	Qty	Description	Comment
-----	------------	-----	-------------	---------

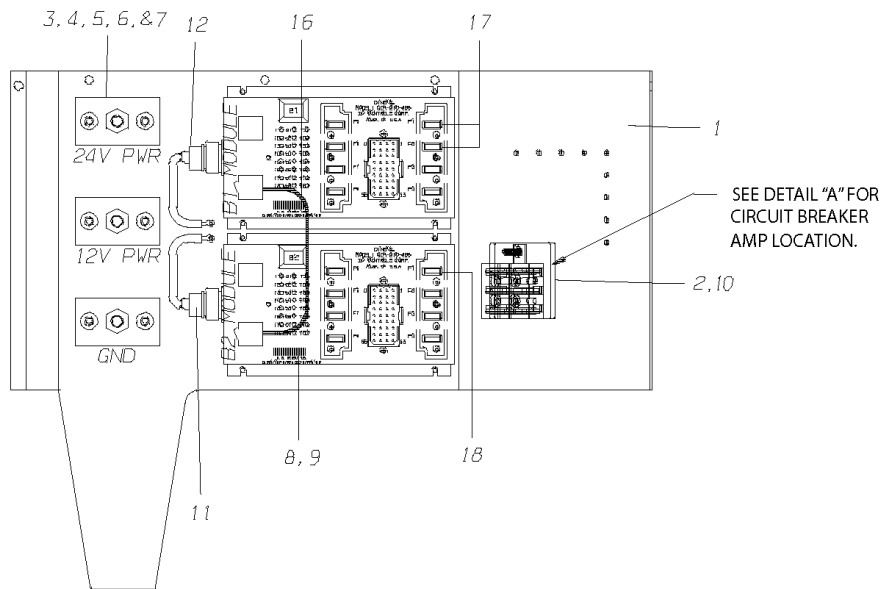
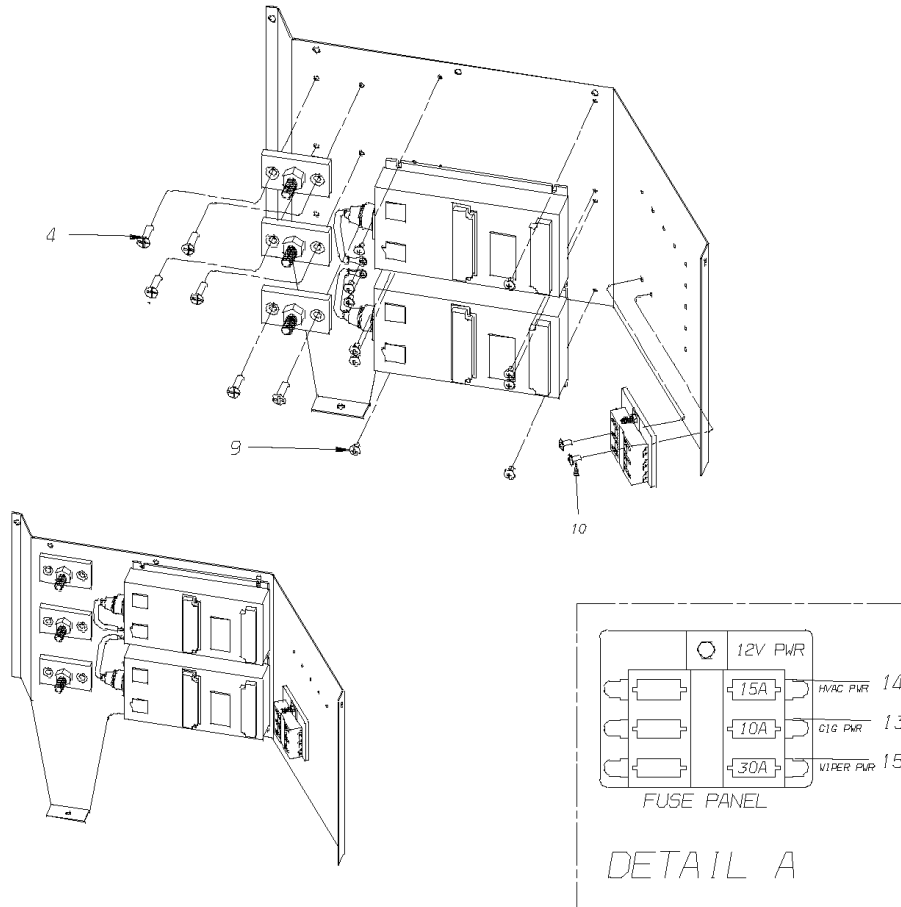


Models: **M4RE**
PANEL ASSEMBLIES
B-ZONE
INSTALLATION

Key	PartNumber	Qty	Description	Comment
1	0055664		PANEL ASSY,B1,B2-ZONE, M4RE	
2	2000636	3	SCREW,1/4-14 X 1/2,AB,PH1,PAN HD,YEL	
3	0059254		DECAL,B ZONE, M4RE	

Models: **M4RE
 PANEL ASSEMBLIES
 B1, B2-ZONE**

Key	PartNumber	Qty	Description	Comment
-----	------------	-----	-------------	---------

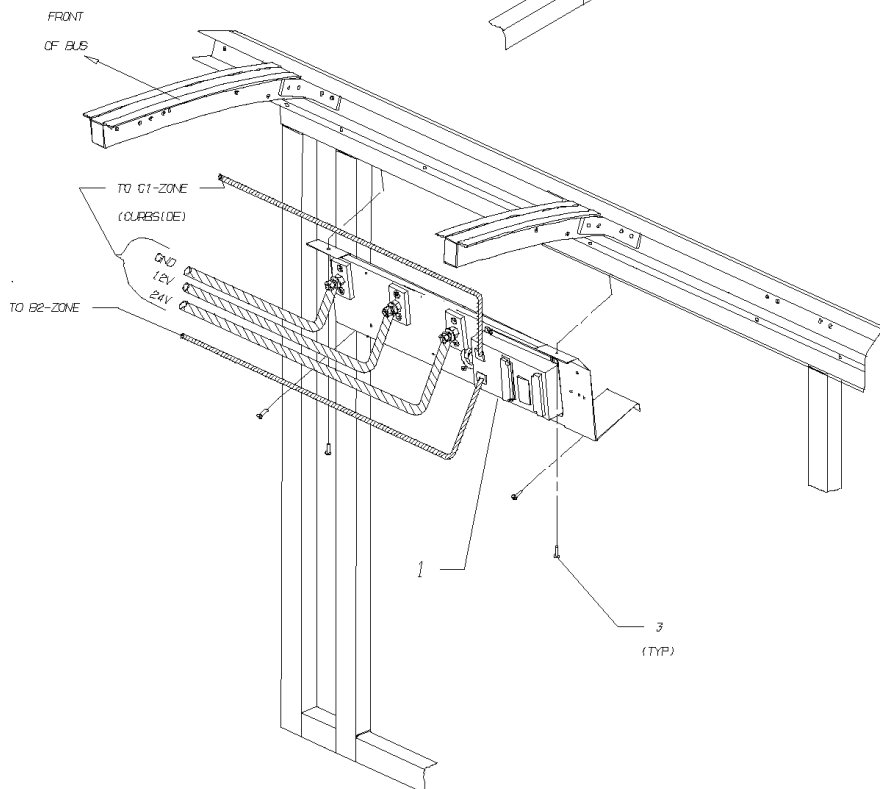
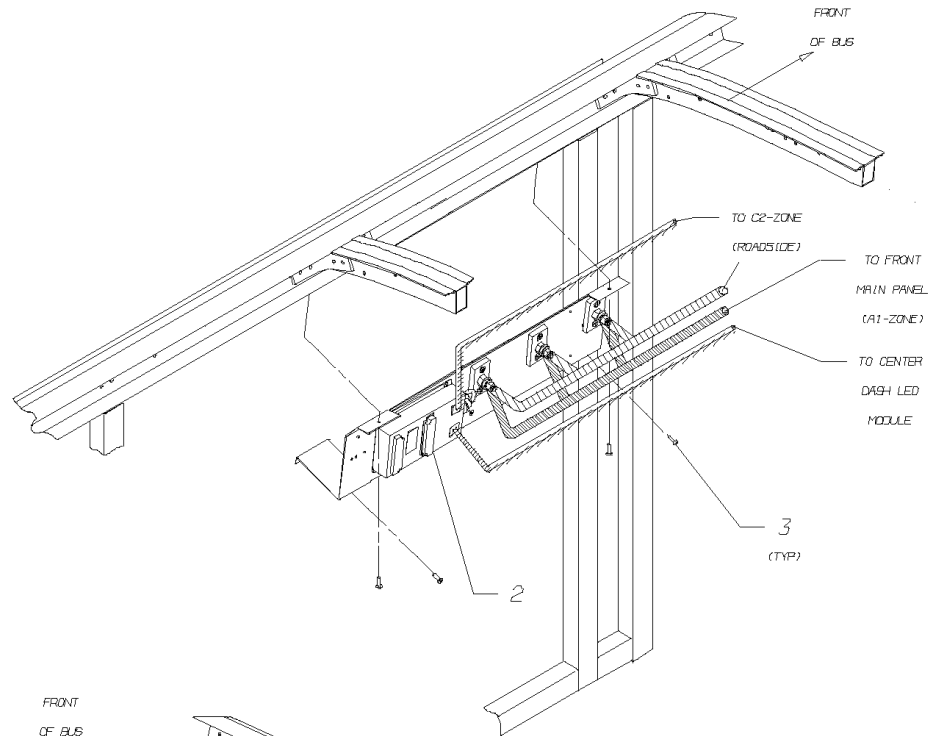


**Models: M4RE
PANEL ASSEMBLIES
B1, B2-ZONE**

Key	PartNumber	Qty	Description	Comment
1	0055662		PANEL,B1,B2-ZONE, M4RE	
2	0049581		PANEL,FUSE,6 POSITION	
3	0553131	3	STUD,TERMINAL,BAT CABLE JUNCTION,NO	
4	1731017	6	SCREW,12-24 X 7/8,F,PH1,FLT CNSK HD,BLK	
5	2001451	3	NUT,HEX HD,3/8-16,YELLOW DICHRIMATE	
6	0882795	3	LOCKWASHER,SPLIT RING,3/8,MED,YELLOW	
7	1078922	3	WASHER,FLAT,3/8 X 7/8 X 5/64,YEL ZN DICH	
8	4758595	2	T2-DIO-888,HIGH SPEED CELL NET	
9	1334671	10	SCREW,8-32 X 3/8,F,PH1,PAN HD,YEL ZN DICH	
10	0037126	2	SCREW,10-32 X 1,F,PH1,PAN HD,YEL ZN DICH	
11	0059161		ID KEY - 73	
12	0059162		ID KEY - 72	
13	0042300		BREAKER,CIRC,BUSM-400,MAN RESET,10A	
14	0042301		BREAKER,CIRC,BUSM-400,MAN RESET,15A	
15	0042367		BREAKER,CIRC,BUSM-400,MAN RESET,30A	
16	0049246		HARNESS,WRG,DATALOOP,TYPE A 16.00, L4RE	
17	1953223	2	FUSE,MINI,15 AMPS,RCDA	
18	1953207		FUSE,MINI,10 AMPS,RCDA	

**Models: M4RE
PANEL ASSEMBLIES
C-ZONE
INSTALLATION**

Key	PartNumber	Qty	Description	Comment
-----	------------	-----	-------------	---------

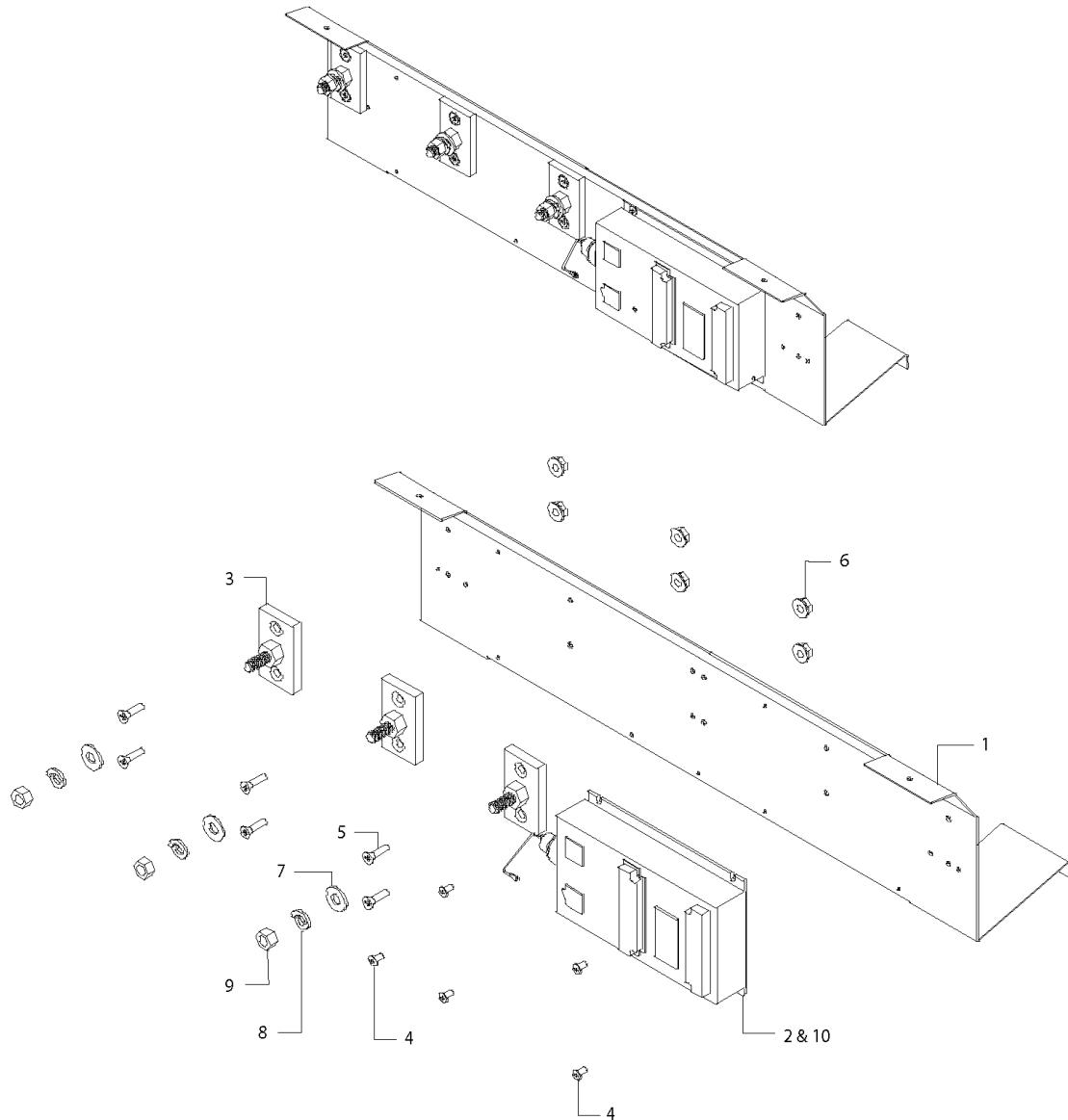


**Models: M4RE
PANEL ASSEMBLIES
C-ZONE
INSTALLATION**

Key	PartNumber	Qty	Description	Comment
1	0058047		PANEL,ASSY,C2-ZONE,ROAD SIDE, M4RE	
2	0058067		PANEL,ASSY,C1-ZONE,CURB SIDE, M4RE	
3	0527275	10	SCREW,10-16 X 3/8,AB,PH1,PAN,YEL ZINC	

Models: **M4RE
PANEL ASSEMBLIES
C1-ZONE
PASSENGER SIDE**

Key	PartNumber	Qty	Description	Comment
-----	------------	-----	-------------	---------

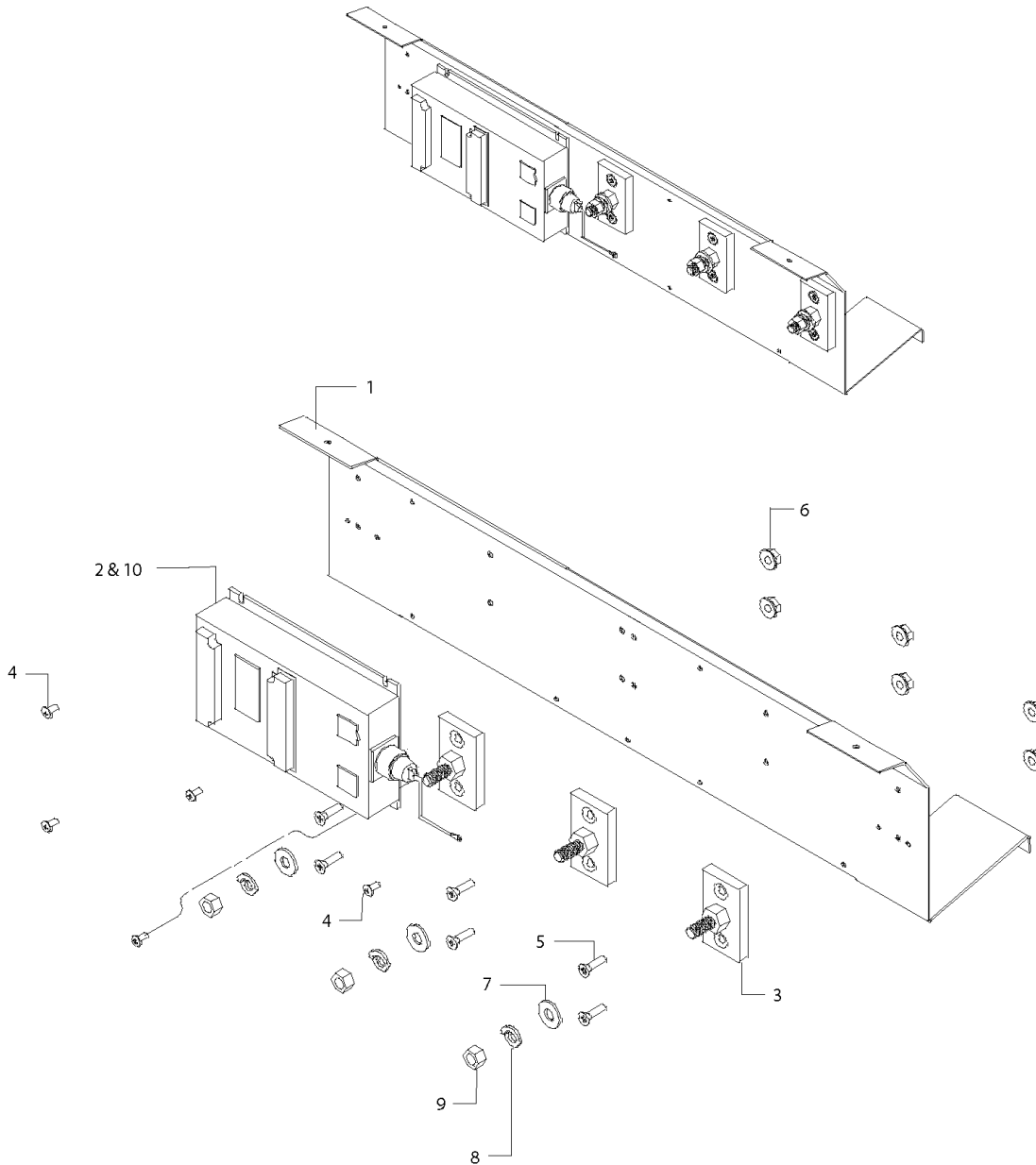


**Models: M4RE
 PANEL ASSEMBLIES
 C1-ZONE
 PASSENGER SIDE**

Key	PartNumber	Qty	Description	Comment
1	0056901		PANEL,C-ZONE, M4RE	
2	4758595		T2-DIO-888,HIGH SPEED CELL NET	
3	0553131	3	STUD,TERMINAL,BAT CABLE JUNCTION,NO	
4	1925833	5	SCREW,8-18 X 1/2,AB,PH1,PAN HD,BLK ZN	
5	1621333	6	SCREW,MACH,1/4-20X1,PH1,FLT CSNK,	
6	0659979	6	NUT,HEX,FLANGE SER,1/4-20,BLACK ZINC	
7	1078922	3	WASHER,FLAT,3/8 X 7/8 X 5/64,YEL ZN DICH	
8	0882795	3	LOCKWASHER,SPLIT RING,3/8,MED,YELLOW	
9	2001451	3	NUT,HEX HD,3/8-16,YELLOW DICHROMATE	
10	4758599		ID KEY - C1	
11	1953223		FUSE,MINI,15 AMPS,RCDA	

Models: **M4RE
 PANEL ASSEMBLIES
 C2-ZONE
 DRIVER SIDE**

Key	PartNumber	Qty	Description	Comment
-----	------------	-----	-------------	---------



**Models: M4RE
 PANEL ASSEMBLIES
 C2-ZONE
 DRIVER SIDE**

Key	PartNumber	Qty	Description	Comment
1	0056901		PANEL,C-ZONE, M4RE	
2	4758595		T2-DIO-888,HIGH SPEED CELL NET	
3	0553131	3	STUD,TERMINAL,BAT CABLE JUNCTION,NO	
4	1925833	5	SCREW,8-18 X 1/2,AB,PH1,PAN HD,BLK ZN	
5	1621333	6	SCREW,MACH,1/4-20X1,PH1,FLT CSNK,	
6	0659979	6	NUT,HEX,FLANGE SER,1/4-20,BLACK ZINC	
7	1078922	3	WASHER,FLAT,3/8 X 7/8 X 5/64,YEL ZN DICH	
8	0882795	3	LOCKWASHER,SPLIT RING,3/8,MED,YELLOW	
9	2001451	3	NUT,HEX HD,3/8-16,YELLOW DICHROMATE	
10	4758600		ID KEY - C2	
11	1953223		FUSE,MINI,15 AMPS,RCDA	

**Models: M4RE
 PANEL ASSEMBLIES
 MAIN FRONT ELECTRICAL, A-ZONE**

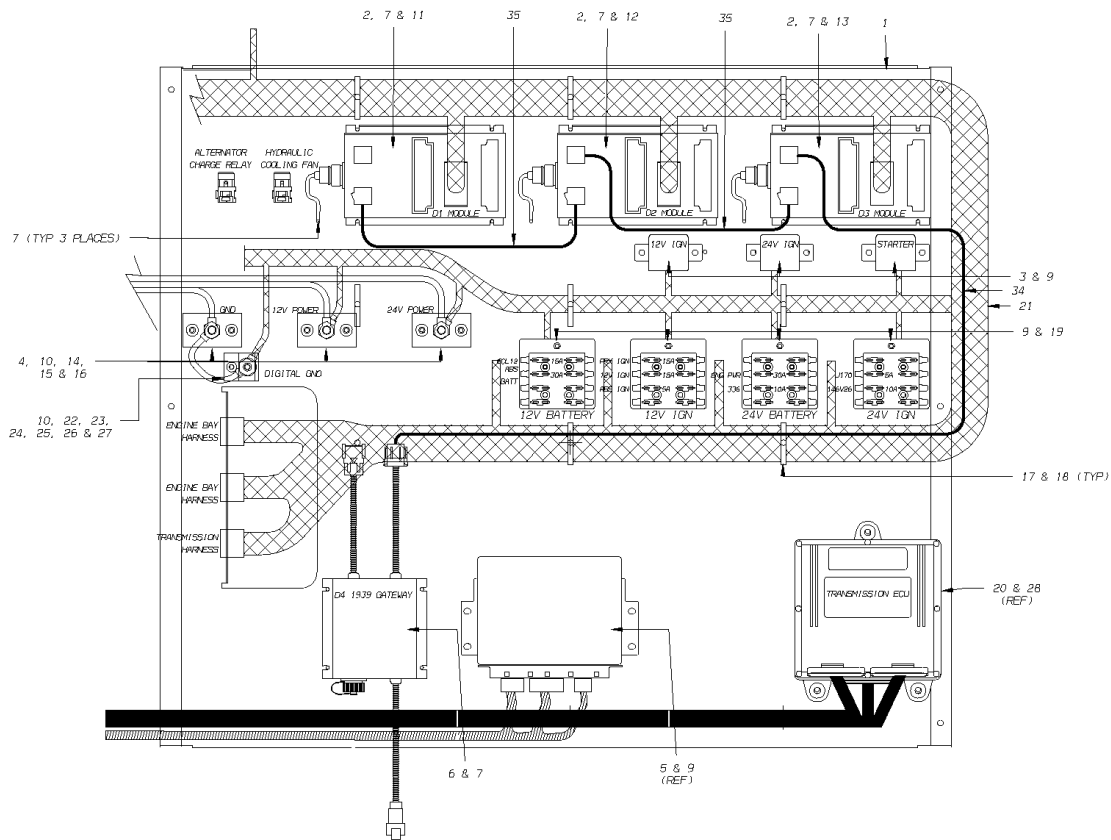
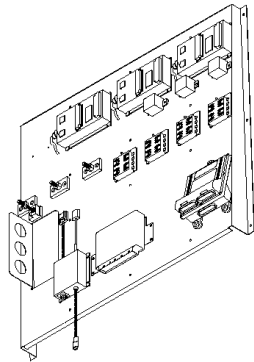
Key	PartNumber	Qty	Description	Comment
1	0054976		PANEL ASSY,MAIN FRONT, M4RE	
2	4758594		MODULE,I/O,G2-A-MBC-32,MAIN BUS	
3	0061808		ECU,INST,1587,PI,PRX1-D,C4/H4	
4			RELAYS	<i>SUPPLIED ON HARNESS</i>
5	0054975	2	BRACKET,SUPPORT,HARNESS, M4RE	
6	4758595	3	T2-DIO-888,HIGH SPEED CELL NET	
7	0049627	2	BUSBAR,BLOCK,NO #16,WES GARDE,2303	
8	0553131		STUD,TERMINAL,BAT CABLE JUNCTION,NO	
9	0049581	4	PANEL,FUSE,6 POSITION	
10	4758596		ID KEY - A2	
11	4758597		ID KEY - A3	
12	4758598		ID KEY - A4	
13	1334671	29	SCREW,8-32 X 3/8,F,PH1,PAN HD,YEL ZN DICH	
14	0019061	4	SCREW,10-32 X 1/2,F,PH1,PAN HD,BLACK ZINC	
15	1731017	2	SCREW,12-24 X 7/8,F,PH1,FLT CNSK HD,BLK	
16	0051810	8	MOUNT,CABLE TIE,BLIND	
17	0599704	10	TIE,CABLE,NYLON	
18	0056628		HARNESS,WRG,FRONT MAIN,A-ZONE, M4RE	
19	0037126	8	SCREW,10-32 X 1,F,PH1,PAN HD,YEL ZN DICH	
20	0049252		HARNESS,WRG,DATALOOP,TYPE B 16.00, L4RE	
21	0049246	2	HARNESS,WRG,DATALOOP,TYPE A 16.00, L4RE	
22	0058106		HARNESS,CABLE ASSY,FRT MAIN TO B ZONE,	
23	0049247		HARNESS,WRG,DATALOOP,TYPE A 100.00, L4RE	

**Models: M4RE
 PANEL ASSEMBLIES
 MAIN FRONT ELECTRICAL, A-ZONE**

Key	PartNumber	Qty	Description	Comment
24	1078922		WASHER,FLAT,3/8 X 7/8 X 5/64,YEL ZN DICH	
25	0882795		LOCKWASHER,SPLIT RING,3/8,MED,YELLOW	
26	2001451		NUT,HEX HD,3/8-16,YELLOW DICHROMATE	
27	0042298	6	BREAKER,CIRC,BUSM-400,MAN RESET,7.5A	
28	0042300	4	BREAKER,CIRC,BUSM-400,MAN RESET,10A	
29	0042301	3	BREAKER,CIRC,BUSM-400,MAN RESET,15A	
30	0042302		BREAKER,CIRC,BUSM-400,MAN RESET,20A	
31	0042303	3	BREAKER,CIRC,BUSM-400,MAN RESET,25A	
32	1812239	4	SCREW,10-32 X 3/4,F,PH1,PAN HD,ZN	
33	1953207	2	FUSE,MINI,10 AMPS,RCDA	

Models: **M4RE**
PANEL ASSEMBLIES
MAIN REAR, D-ZONE, ELECTRICAL
 With: **FEATURE 40192-02 (CAT C-12 ENGINE)**

Key	PartNumber	Qty	Description	Comment
-----	------------	-----	-------------	---------



Models: M4RE
PANEL ASSEMBLIES
MAIN REAR, D-ZONE, ELECTRICAL
With: FEATURE 40192-02 (CAT C-12 ENGINE)

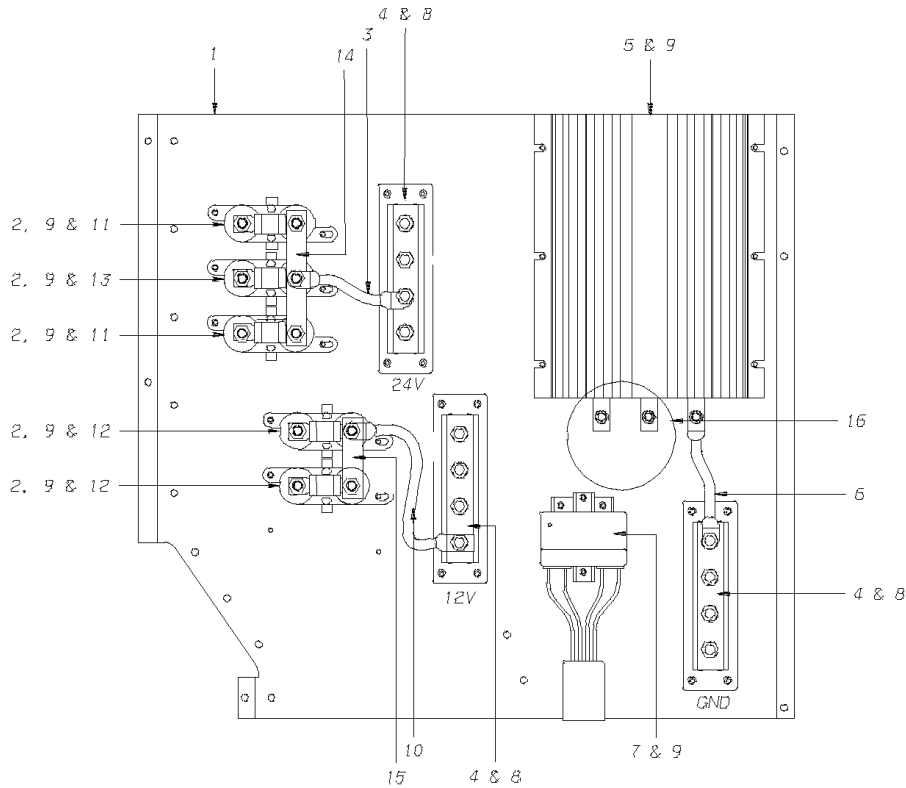
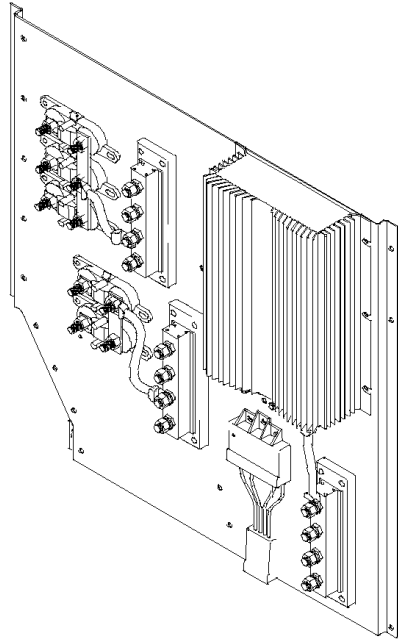
Key	PartNumber	Qty	Description	Comment
	0054978		PANEL ASSY,MAIN REAR,D ZONE,ELECTRICAL,	
1	0054974		PANEL,MAIN REAR,D ZONE, M4RE	
2	4758595	3	T2-DIO-888,HIGH SPEED CELL NET	
3	0050511	3	SOLENOID,50A,BOSCH	
4	0553131	3	STUD,TERMINAL,BAT CABLE JUNCTION,NO	
5	0070777		MODULE,ECU,6 CHANNEL,AIR BRAKE,ABS,ATC,	
6	0054979		MODULE,IO,READ/WRITE,1939, M4RE	
7	1334671	21	SCREW,8-32 X 3/8,F,PH1,PAN HD,YEL ZN DICH	
8	0037126	8	SCREW,10-32 X 1,F,PH1,PAN HD,YEL ZN DICH	
9	0019061	10	SCREW,10-32 X 1/2,F,PH1,PAN HD,BLACK ZINC	
10	1731017	7	SCREW,12-24 X 7/8,F,PH1,FLT CNSK HD,BLK	
11	4758601		ID KEY - D1	
12	4758602		ID KEY - D2	
13	4758603		ID KEY - D3	
14	2001451	3	NUT,HEX HD,3/8-16,YELLOW DICHROMATE	
15	0882795	3	LOCKWASHER,SPLIT RING,3/8,MED,YELLOW	
16	1078922	3	WASHER,FLAT,3/8 X 7/8 X 5/64,YEL ZN DICH	
17	0051810	12	MOUNT,CABLE TIE,BLIND	
18	0599704	12	TIE,CABLE,NYLON	
19	0041386	4	PANEL,FUSE,8 POSITION	
20	1422948	3	SCREW,1/4-20 X 1-1/4,D,HEX HD,YEL ZN DICH	
21	0055371		HARNES,WRG,REAR ELECTRICAL PANEL, M4RE	
22	0002809		JUNCTION BLOCK,COOPER,C5268-4	

Models: M4RE
PANEL ASSEMBLIES
MAIN REAR, D-ZONE, ELECTRICAL
With: FEATURE 40192-02 (CAT C-12 ENGINE)

Key	PartNumber	Qty	Description	Comment
23	1731017		SCREW,12-24 X 7/8,F,PH1,FLT CNSK HD,BLK	
24	1247709		WASHER,FLAT,17/64 ID X,5/8,YEL ZN DICH	
25	2001170		LOCKWASHER,SPLIT RING, 1/4 ,MED,YEL ZN	
26	2001337		NUT,HEX HD,1/4-20,ZINC	
27	0057285		CABLE ASSY,NEG,10 GA,.375 X .312 X 3,BK	
27	0055107		CABLE ASSY,NEG,2GA,.406 X .343 X 5.00,BK	
28	0050315		ELECTRONIC CONTROL UNIT,B500P,425C12,	
29	0015990	2	FUSE,AUTO,5.0 AMPS	
30	0042300	2	BREAKER,CIRC,BUSM-400,MAN RESET,10A	
30	0074821		BREAKER,CIRC,SNAP ACTION,MANUAL	
31	0042301	3	BREAKER,CIRC,BUSM-400,MAN RESET,15A	
31	0074822		BREAKER,CIRC,SNAP ACTION,MANUAL	
32	0042303		BREAKER,CIRC,BUSM-400,MAN RESET,25A	
33	0042367	2	BREAKER,CIRC,BUSM-400,MAN RESET,30A	
33	0074826		BREAKER,CIRC,SNAP ACTION,MANUAL	
34	0055789		HARNESS,WRG,DATALOOP,TYPE A 48.00, M4RE	
35	0049246	2	HARNESS,WRG,DATALOOP,TYPE A 16.00, L4RE	

Models: **M4RE**
PANEL ASSEMBLIES
REAR PDC

Key	PartNumber	Qty	Description	Comment
-----	------------	-----	-------------	---------

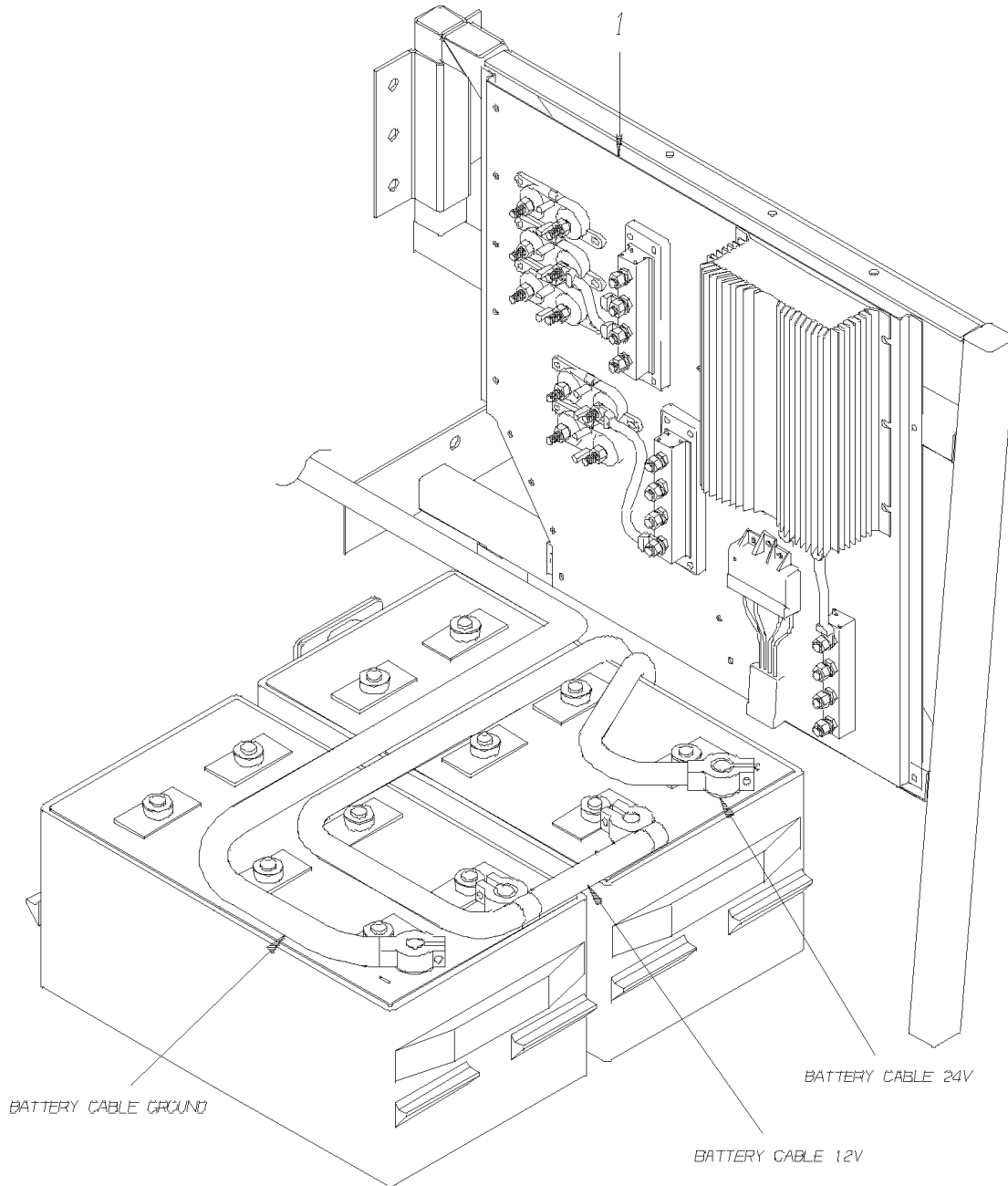


Models: **M4RE**
PANEL ASSEMBLIES
REAR PDC

Key	PartNumber	Qty	Description	Comment
1	0054981		PANEL,REAR PDC, M4RE	
2	0043235	5	HOLDER,FUSE,MEGA,BUSSMANN"	
3	0055115		CABLE ASSY,POS,.406 X .343 X 4.75,GN	
4	0051067	3	BUSSBAR,CABLE CONNECTOR,600A	
5	0051010		BATTERY EQUALIZER,24/12VOLTS	
6	0055107		CABLE ASSY,NEG,2GA,.406 X .343 X 5.00,BK	
7	0054980		VOLTAGE REGULATOR,LEECE-NEVILLE	
8	1812239	12	SCREW,10-32 X 3/4,F,PH1,PAN HD,ZN	
9	0019061	20	SCREW,10-32 X 1/2,F,PH1,PAN HD,BLACK ZINC	
10	0055116	3	CABLE ASSY,POS,.406 X .343 X 4.75,RD	
11	0006151	2	FUSE,MEGA,125 AMP	
12	0041531	2	FUSE,MEGA,100 AMP	
13	0051960		FUSE,MEGA,150 AMP,AMG SERIES	
14	0051956		BUS BAR,COPPER,.125 X .75 X 5.00 W/.343 HLS	
15	0051955		BUS BAR,COPPER,.125 X .75 X 3.00 W/.343 HLS	
16	0054272	2	KIT,1592 FUSE ACCESSORY	

Models: **M4RE**
PANEL ASSEMBLIES
REAR PDC
INSTALLATION

Key	PartNumber	Qty	Description	Comment
-----	------------	-----	-------------	---------




Models: **M4RE**
PANEL ASSEMBLIES
REAR PDC
INSTALLATION

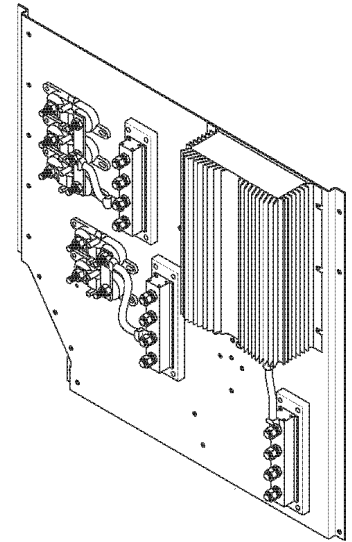
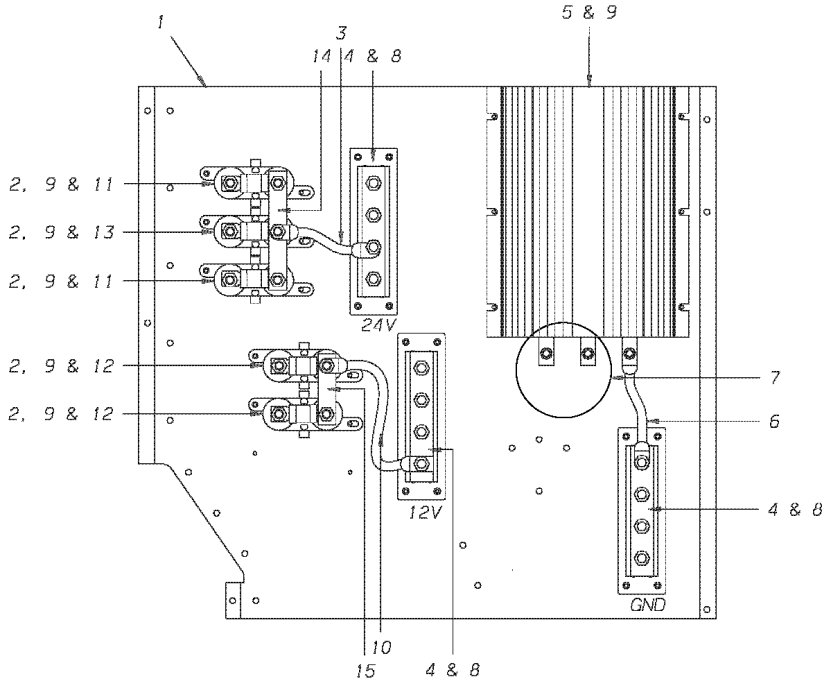
Key	PartNumber	Qty	Description	Comment
1	0054982		PANEL ASSY,REAR PDC, M4RE	
2	1409788	5	SCREW,1/4-20 X 3/4,D,HEX HD,YEL ZN DICH	
3	0051810	5	MOUNT,CABLE TIE,BLIND	
4	0599704	5	TIE,CABLE,NYLON	
NI	0059598		MAT,RUBBER,PDC, M4RE	
NI	1160399	9	PIN,RATCHET,TYPE ONE,RUBBER PAD,PC 47486	

**Models: M4RE
PANEL ASSEMBLIES
REAR PDC, C13**

Key	PartNumber	Qty	Description	Comment
-----	------------	-----	-------------	---------

DR. 03/30/05 BY MR	0075022	REV.	
APP. BY FRT			BLUE BIRD

© BLUE BIRD BODY COMPANY. ALL RIGHTS RESERVED

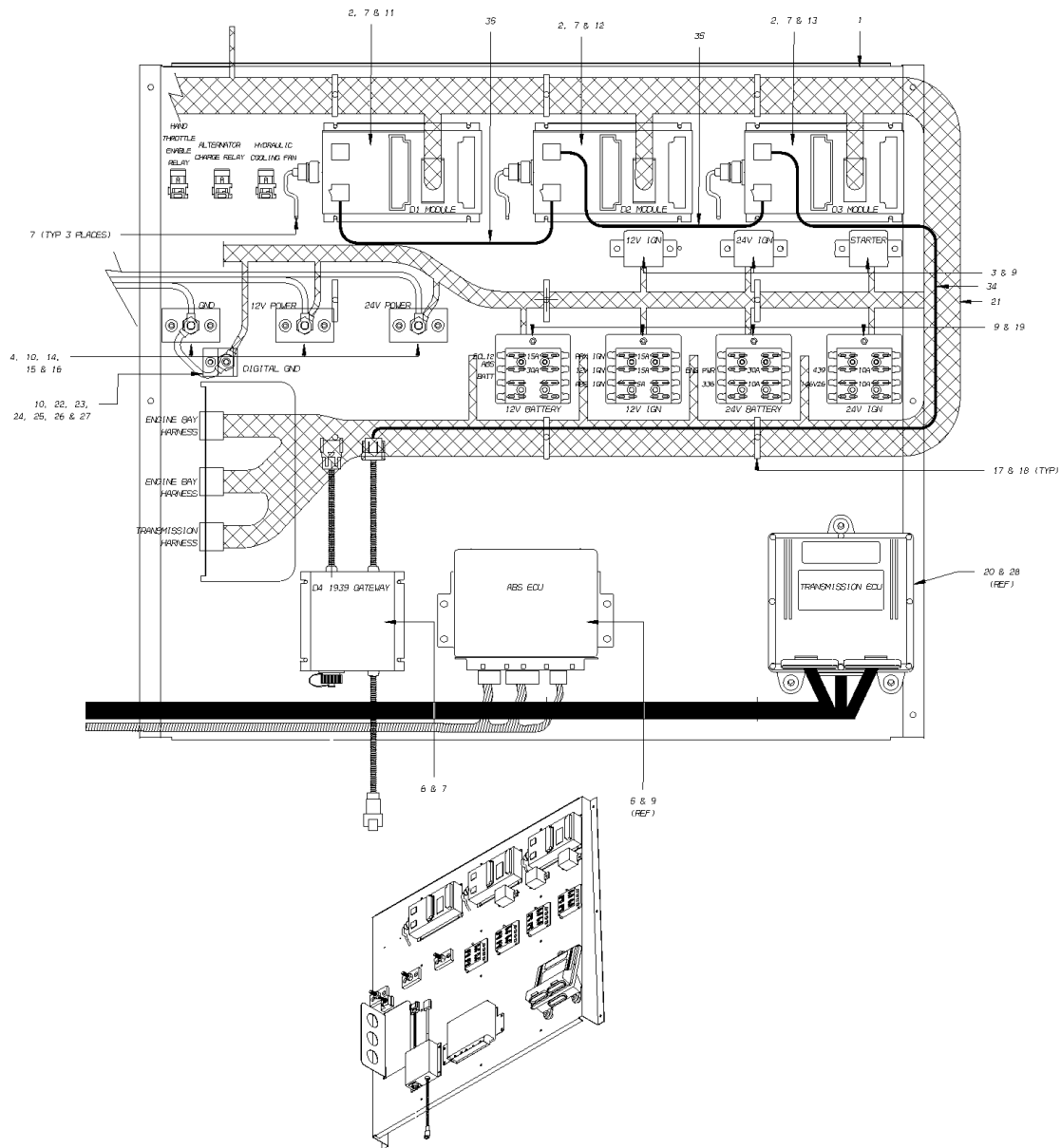


**Models: M4RE
 PANEL ASSEMBLIES
 REAR PDC, C13**

Key	PartNumber	Qty	Description	Comment
1	0054981		PANEL,REAR PDC, M4RE	
2	0043235	5	HOLDER,FUSE,MEGA,BUSSMANN"	
3	0055115		CABLE ASSY,POS,.406 X .343 X 4.75,GN	
4	0051067	3	BUSSBAR,CABLE CONNECTOR,600A	
5	0051010		BATTERY EQUALIZER,24/12VOLTS	
6	0055107		CABLE ASSY,NEG,2GA,.406 X .343 X 5.00,BK	
7	0054272	2	KIT,1592 FUSE ACCESSORY	
8	1812239	12	SCREW,10-32 X 3/4,F,PH1,PAN HD,ZN	
9	0019061	20	SCREW,10-32 X 1/2,F,PH1,PAN HD,BLACK ZINC	
10	0055116	3	CABLE ASSY,POS,.406 X .343 X 4.75,RD	
11	0006151	2	FUSE,MEGA,125 AMP	
12	0041531	2	FUSE,MEGA,100 AMP	
13	0051960		FUSE,MEGA,150 AMP,AMG SERIES	
14	0051956		BUS BAR,COPPER,.125 X .75 X 5.00 W/.343 HLS	
15	0051955		BUS BAR,COPPER,.125 X .75 X 3.00 W/.343 HLS	

Models: M4RE
PANEL ASSEMBLIES
REAR, D-ZONE, ELECTRICAL, DDEC IV/60
With: FEATURE 40190-01

Key	PartNumber	Qty	Description	Comment
-----	------------	-----	-------------	---------



**Models: M4RE
 PANEL ASSEMBLIES
 REAR, D-ZONE, ELECTRICAL, DDEC IV/60
 With: FEATURE 40190-01**

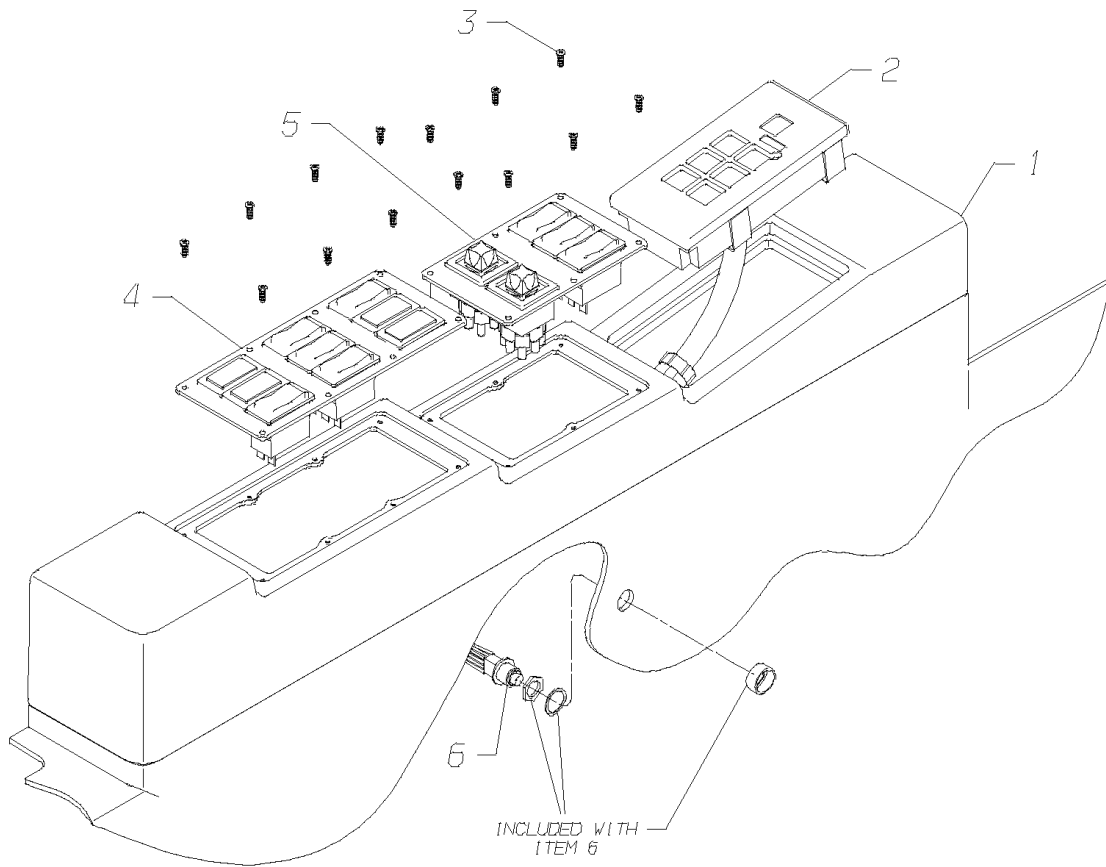
Key	PartNumber	Qty	Description	Comment
	0061397		PANEL ASSY,REAR,D ZONE,ELEC,DDEC IV/60	
1	0054974		PANEL,MAIN REAR,D ZONE, M4RE	
2	4758595	3	T2-DIO-888,HIGH SPEED CELL NET	
3	0050511	3	SOLENOID,50A,BOSCH	
4	0553131		STUD,TERMINAL,BAT CABLE JUNCTION,NO	
5	0070777		MODULE,ECU,6 CHANNEL,AIR BRAKE,ABS,ATC,	
6	0054979		MODULE,IO,READ/WRITE,1939, M4RE	
7	1334671	21	SCREW,8-32 X 3/8,F,PH1,PAN HD,YEL ZN DICH	
8	0037126	8	SCREW,10-32 X 1,F,PH1,PAN HD,YEL ZN DICH	
9	0019061	10	SCREW,10-32 X 1/2,F,PH1,PAN HD,BLACK ZINC	
10	1731017	7	SCREW,12-24 X 7/8,F,PH1,FLT CNSK HD,BLK	
11	4758601		ID KEY - D1	
12	4758602		ID KEY - D2	
13	4758603		ID KEY - D3	
14	2001451	3	NUT,HEX HD,3/8-16,YELLOW DICHROMATE	
15	0882795	3	LOCKWASHER,SPLIT RING,3/8,MED,YELLOW	
16	1078922	3	WASHER,FLAT,3/8 X 7/8 X 5/64,YEL ZN DICH	
17	0051810	12	MOUNT,CABLE TIE,BLIND	
18	0599704	12	TIE,CABLE,NYLON	
19	0041386	4	PANEL,FUSE,8 POSITION	
20	1422948	3	SCREW,1/4-20 X 1-1/4,D,HEX HD,YEL ZN DICH	
21	0061399		HARNES,WRG,REAR ELEC PANRL,DDEC IV/60	
22	0002809		JUNCTION BLOCK,COOPER,C5268-4	

Models: M4RE
PANEL ASSEMBLIES
REAR, D-ZONE, ELECTRICAL, DDEC IV/60
With: FEATURE 40190-01

Key	PartNumber	Qty	Description	Comment
23	1731017		SCREW,12-24 X 7/8,F,PH1,FLT CNSK HD,BLK	
24	1247709		WASHER,FLAT,17/64 ID X,5/8,YEL ZN DICH	
25	2001170		LOCKWASHER,SPLIT RING, 1/4 ,MED,YEL ZN	
26	2001337		NUT,HEX HD,1/4-20,ZINC	
27	0057285		CABLE ASSY,NEG,10 GA,.375 X .312 X 3,BK	
27	0055107		CABLE ASSY,NEG,2GA,.406 X .343 X 5.00,BK	
28	0050315		ELECTRONIC CONTROL UNIT,B500P,425C12,	
29	0015990		FUSE,AUTO,5.0 AMPS	
30	0042300		BREAKER,CIRC,BUSM-400,MAN RESET,10A	
30	0074821	3	BREAKER,CIRC,SNAP ACTION,MANUAL	
31	0042301		BREAKER,CIRC,BUSM-400,MAN RESET,15A	
31	0074822	3	BREAKER,CIRC,SNAP ACTION,MANUAL	
33	0074826	2	BREAKER,CIRC,SNAP ACTION,MANUAL	
33	0042367		BREAKER,CIRC,BUSM-400,MAN RESET,30A	
34	0055789		HARNESS,WRG,DATALOOP,TYPE A 48.00, M4RE	
35	0049246		HARNESS,WRG,DATALOOP,TYPE A 16.00, L4RE	

Models: **M4RE
PANEL ASSEMBLIES
SWITCH, DRIVER'S ARMREST
INSTALLATION**

Key	PartNumber	Qty	Description	Comment
-----	------------	-----	-------------	---------

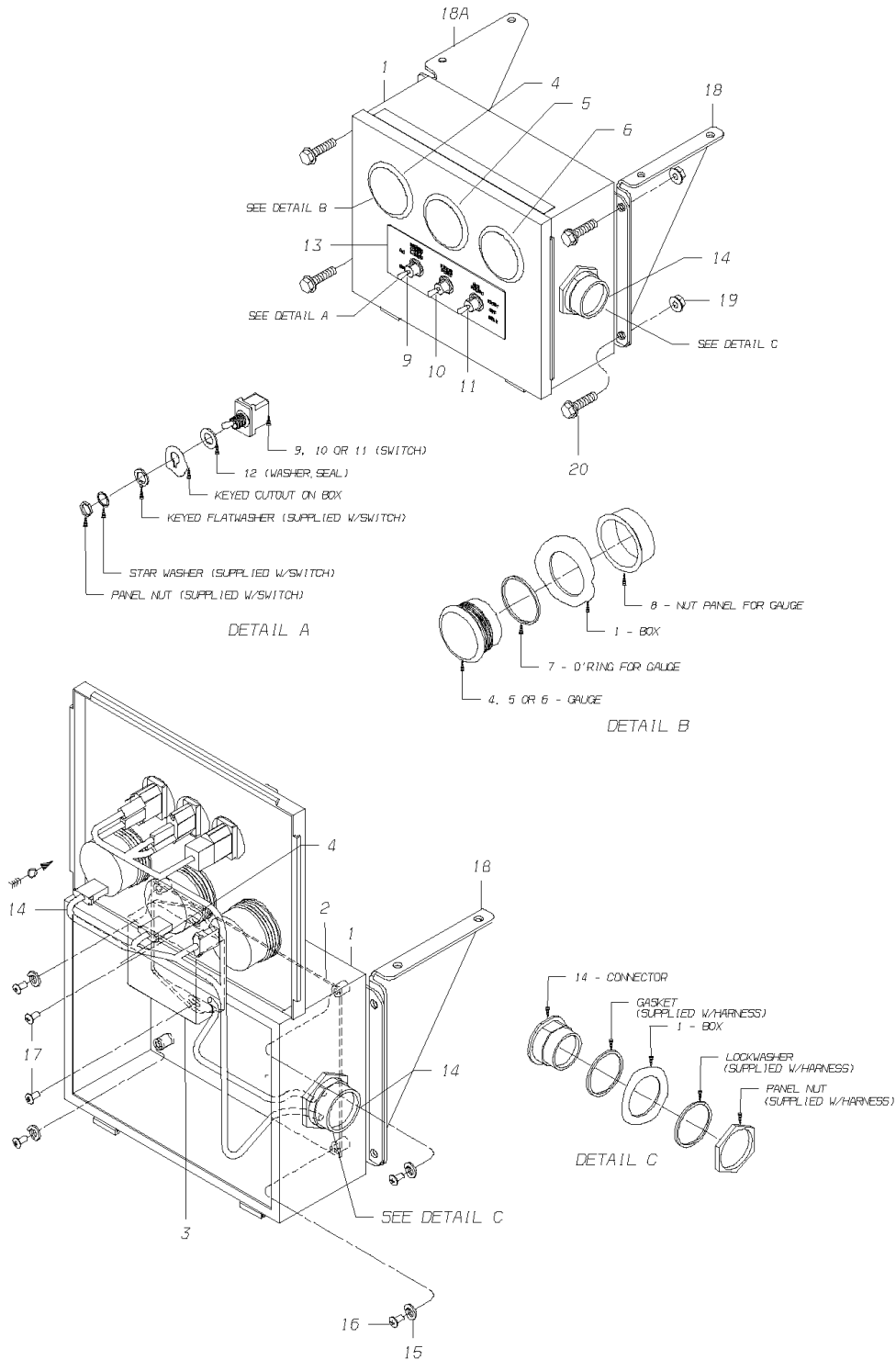


Models: M4RE
 PANEL ASSEMBLIES
 SWITCH, DRIVER'S ARMREST
 INSTALLATION

Key	PartNumber	Qty	Description	Comment
1	0040496		PANEL,DASH,CONSOLE,DRIVERS,TAUPE, H4RE	
2	0031122		SELECTOR,SHIFT,PUSHBUTTON,3000 SRS,	
3	1925833	14	SCREW,8-18 X 1/2,AB,PH1,PAN HD,BLK ZN	
4	0057577		PANEL ASSY,SW,DRV ARM REST,AFT,BLACK	
5	0057572		PANEL ASSY,SW,DRV ARM REST,FORWARD	
6	0057403		ASSY,SILENT ALARM SWITCH, L4RE	FEATURE 31140-12
7	0058880		PANEL,DRIVERS ARM CONSOLE,LOWER,GRAY,	

**Models: M4RE
REAR CONTROL BOX**

Key	PartNumber	Qty	Description	Comment
-----	------------	-----	-------------	---------

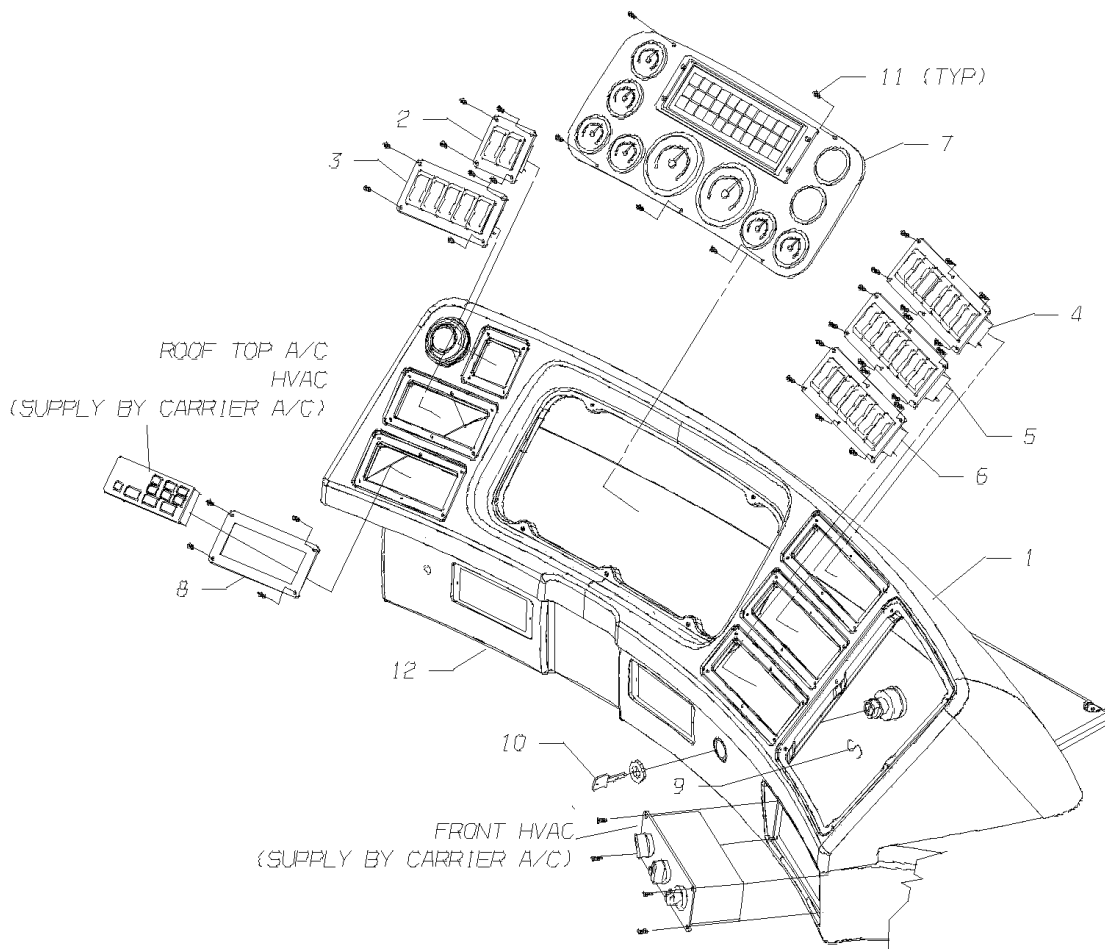


Models: **M4RE
REAR CONTROL BOX**

Key	PartNumber	Qty	Description	Comment
1	0042774		BOX,REAR,CONTROL, C4RE,H4RE	
2	0042255		PLATE,MTG,ELEC,COMP,RR CONTROL BX,C4RE,	
3	0041124		GAUGE,CONTROLLER MODULE	
4	0036899		GAUGE,OIL PRESSURE,DATA LINK,PI	
5	0036900		GAUGE,COOLANT TEMP,DATA LINK,PI	
6	0036901		GUAGE,HOURMETER,DATA LINK,PI	
7	2545325	3	O-RING,136	
8	0042122	3	RING,MTG,PI,2.375	
9	0004201		SWITCH,TOGGLE,DPST,MAINTAINED	
10	0004199		SWITCH,TOGGLE,SPST,MOMENTARY	
11	0044069		SWITCH,TOGGLE,DPDS,MAINTAINED,32NT91-1	
12	0039837	3	SEAL,WASHER,.53 ID X 1.50 OD X .08 THK	
13	0043086		DECAL,REAR,CONTROL,BOX, C4RE,H4RE	
14	0048685		HARNESS,WRG,REAR,CONTROL,MULTIPLEX,	
15	2001162	4	LOCKWASHER,SPLIT RING, 3/16,MED,YEL ZN	
16	3754728	4	SCREW,MACH,10-32 X 3/8,PH1,PAN HD,	
17	0019061	2	SCREW,10-32 X 1/2,F,PH1,PAN HD,BLACK ZINC	
18	0057296		BRACE,REAR,CONTROL BOX RIGHT HAND, C4RE	
18	0057297		BRACE,REAR,CONTROL BOX LEFT HAND, C4RE	
19				VENDOR SUPPLIED
20				VENDOR SUPPLIED

Models: **M4RE
SWITCH PANEL
DASH
INSTALLATION**

Key	PartNumber	Qty	Description	Comment
-----	------------	-----	-------------	---------

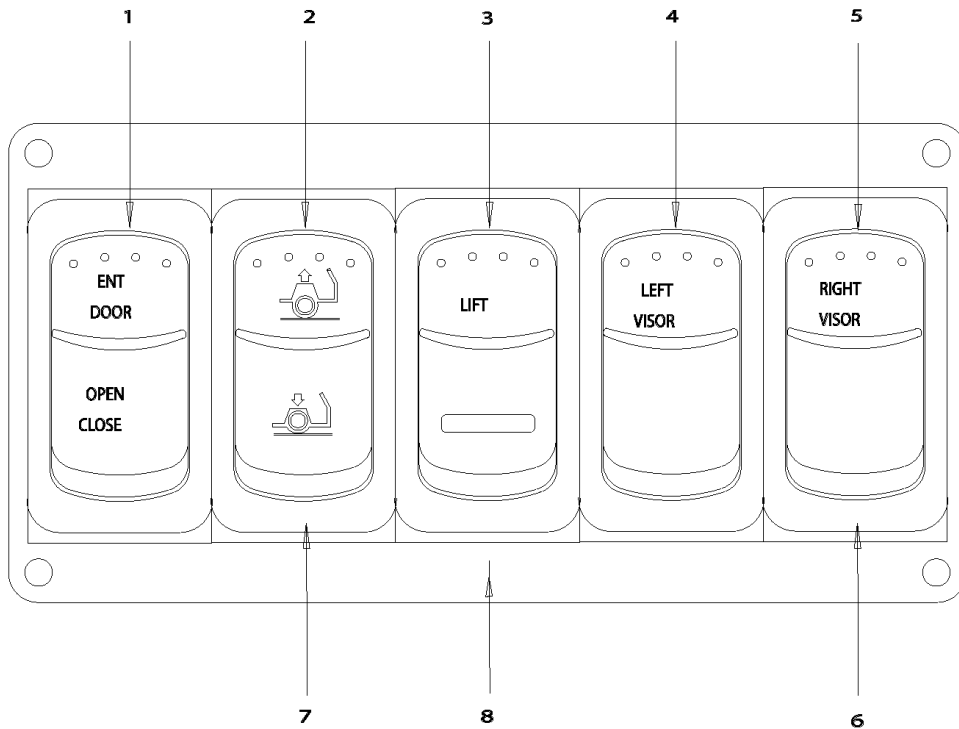
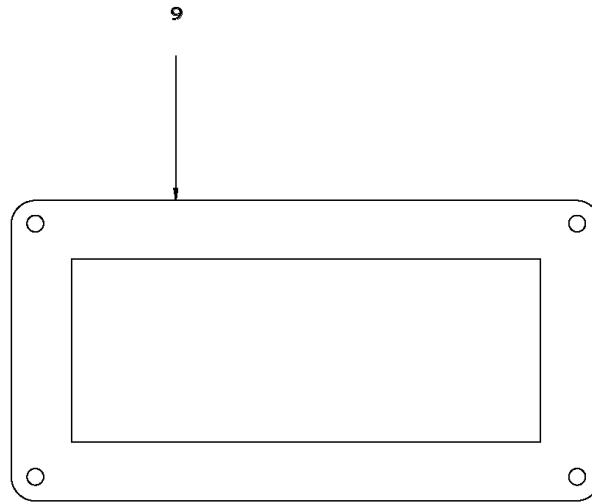


Models: M4RE
SWITCH PANEL
DASH
INSTALLATION

Key	PartNumber	Qty	Description	Comment
1	0040485		PANEL,DASH,LH UPPER,TAUPE, H4RE	
2	0057568		PANEL ASSY,SW,LEFT DASH,UPPER,BLACK	
3	0057570		PANEL ASSY,SW,LEFT DASH,MIDDLE,BLACK	
4	0057573		PANEL ASSY,SW,RIGHT DASH,UPPER,BLACK	
5	0057574		PANEL ASSY,SW,RIGHT DASH,MIDDLE,BLACK	
6	0057575		PANEL ASSY,SW,RIGHT DASH,LOWER,BLACK	
7	0058001		PANEL ASSY,INSTRUMENT,W/CMPS,BLACK,	
8	0059228		PANEL,DASH,A/C CONTROL,BLACK, M4RE	
9	0059346		PANEL,MTG,RADIO AND MONITOR,BLACK, M4RE	FEATURE 38104-01, -13 & 38105-03
9	0062031		PANEL,MTG,RADIO,BLACK,M4RE	FEATURE 38104-01, -13
9	0062033		PANEL,MTG,RADIO,MONITOR AND CTRL HEAD,	FEATURE 38105-06, 38104-14 & 38105-03
9	0062032		PANEL,MTG,RADIO AND CONTROL HEAD,BLACK	FEATURE 38105-06, -14
10	1010685		SWITCH,IGN	
11	1401587	39	SCREW,8-32 X 3/4, PH1, RD HD, BLK ZINC	
12	0040487		PANEL,DASH,BELTLINE,TAUPE, H4RE	

Models: **M4RE
SWITCH PANEL
DASH
LEFT, LOWER, BLACK**

Key	PartNumber	Qty	Description	Comment
-----	------------	-----	-------------	---------

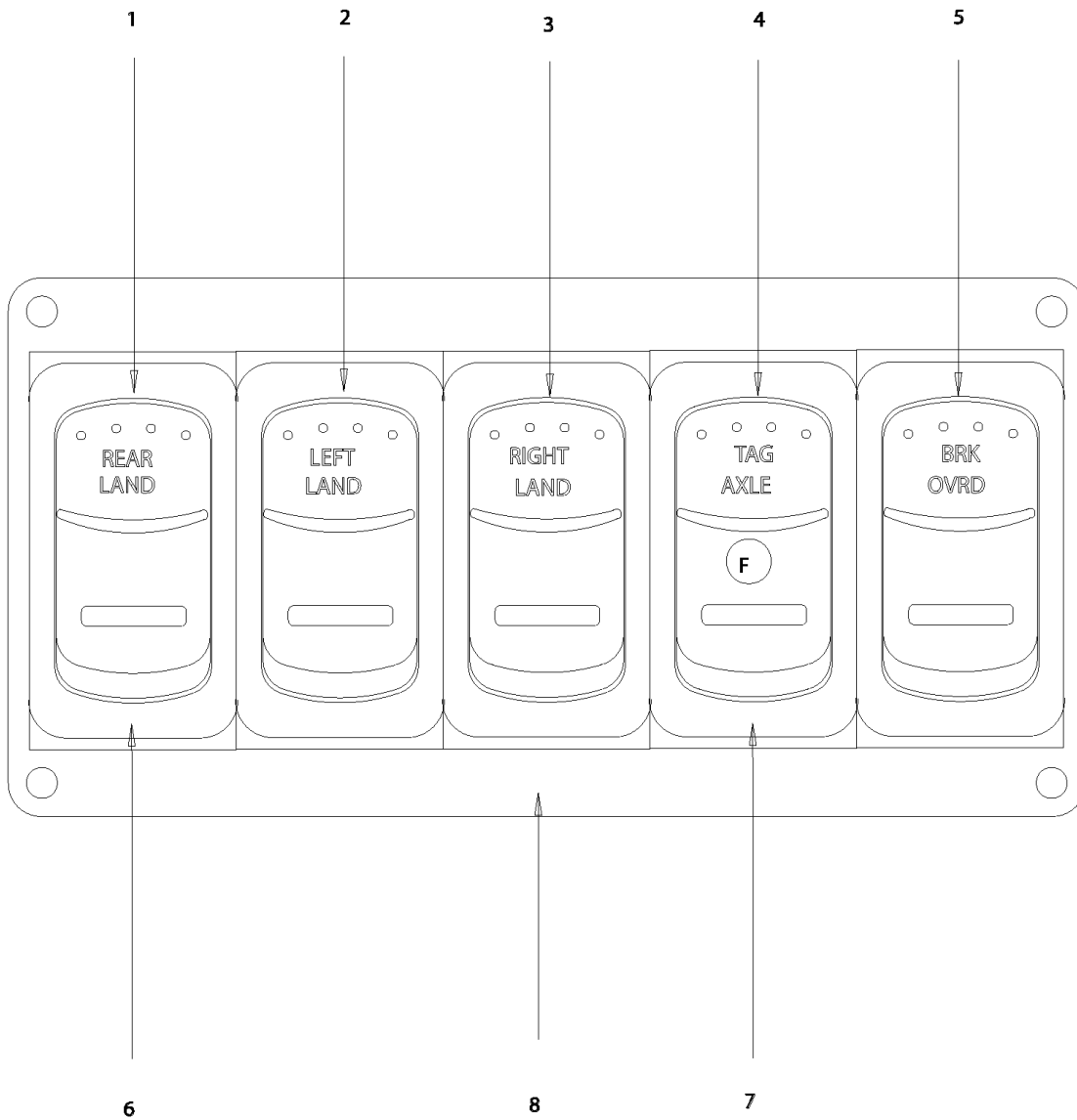


Models: **M4RE**
SWITCH PANEL
DASH
LEFT, LOWER, BLACK

Key	PartNumber	Qty	Description	Comment
1	0027296	1	SWITCH,BASE,NGR,SPDT,MOM ON-OFF-MOM	FEATURE 38102-19
	0106483		PANEL ASSY,SW,LEFT DASH,LOWER,BLACK	CONSIST OF THE FOLLOWING
1	0037729	1	ROCKER,BUTTON,NGR,ENT DOOR	FEATURE 38102-19
2	0027296	1	SWITCH,BASE,NGR,SPDT,MOM ON-OFF-MOM	FEATURE 40015-02
2	0051032	1	ROCKER,NGR,KNEEL	FEATURE 40015-02
3	0027294	1	SWITCH,BASE,NGR,SPST,ON-ON,EXT IND	FEATURE 40051-06
3	0027325	1	ROCKER,BUTTON,NGR,LIFT	FEATURE 40051-06
4	0059226	1	SWITCH,BASE,NGR,SPDT,MOM ON-OFF-MOM	FEATURE 38111-04 OR 38111-05
4	0057322	1	SWITCH,ROCKER,NGR,LEFT VISOR	FEATURE 38111-04 OR 38111-05
5	0059226	1	SWITCH,BASE,NGR,SPDT,MOM ON-OFF-MOM	FEATURE 38111-05
5	0057324	1	SWITCH,ROCKER,NGR,RIGHT VISOR	FEATURE 38111-05
6	0027347	2	BEZEL,END,NGR,SWITCH PANEL	
7	0027348	3	BEZEL,CENTER,NGR,SWITCH PANEL	
8	0041413	1	PANEL,SWITCH,DASH,PANEL A,5 POS,BLACK,	
9	0059228		PANEL,DASH,A/C CONTROL,BLACK, M4RE	WITH FEATURE 38102-20

Models: **M4RE
SWITCH PANEL
DASH
LEFT, MIDDLE, BLACK**

Key	PartNumber	Qty	Description	Comment
-----	------------	-----	-------------	---------

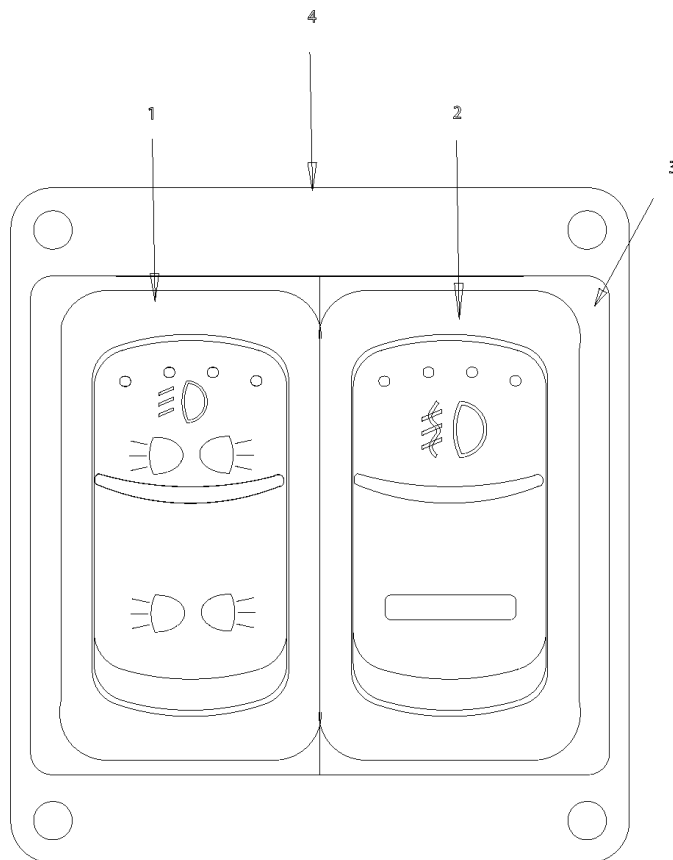


Models: **M4RE**
SWITCH PANEL
DASH
LEFT, MIDDLE, BLACK

Key	PartNumber	Qty	Description	Comment
1	0027294	1	SWITCH,BASE,NGR,SPST,ON-ON,EXT IND	STANDARD
	0057570		PANEL ASSY,SW,LEFT DASH,MIDDLE,BLACK	CONSIST OF THE FOLLOWING
1	0057312	1	SWITCH,ROCKER,NGR,REAR LANDING GEAR	STANDARD
2	0027294	1	SWITCH,BASE,NGR,SPST,ON-ON,EXT IND	FEATURE 38118-02
2	0057313	1	SWITCH,ROCKER,NGR,LEFT LAND LTS	FEATURE 38118-02
3	0027294	1	SWITCH,BASE,NGR,SPST,ON-ON,EXT IND	FEATURE 38118-02
3	0057314	1	SWITCH,ROCKER,NGR,RIGHT LAND LTS	FEATURE 38118-02
4	0027294	1	SWITCH,BASE,NGR,SPST,ON-ON,EXT IND	STANDARD
4	0068965	1	SWITCH,ROCKER,NGR,TAG AXLE	STANDARD
5	0051023	1	SWITCH,BASE,NGR,SPST,NONE-ON-MOM OFF	STANDARD
5	0027327	1	ROCKER,BUTTON,NGR,BRAKE OVERRIDE	STANDARD
6	0027347	2	BEZEL,END,NGR,SWITCH PANEL	
7	0027348	3	BEZEL,CENTER,NGR,SWITCH PANEL	
8	0041413	1	PANEL,SWITCH,DASH,PANEL A,5 POS,BLACK,	

Models: **M4RE**
SWITCH PANEL
DASH
LEFT, UPPER, BLACK

Key	PartNumber	Qty	Description	Comment
-----	------------	-----	-------------	---------

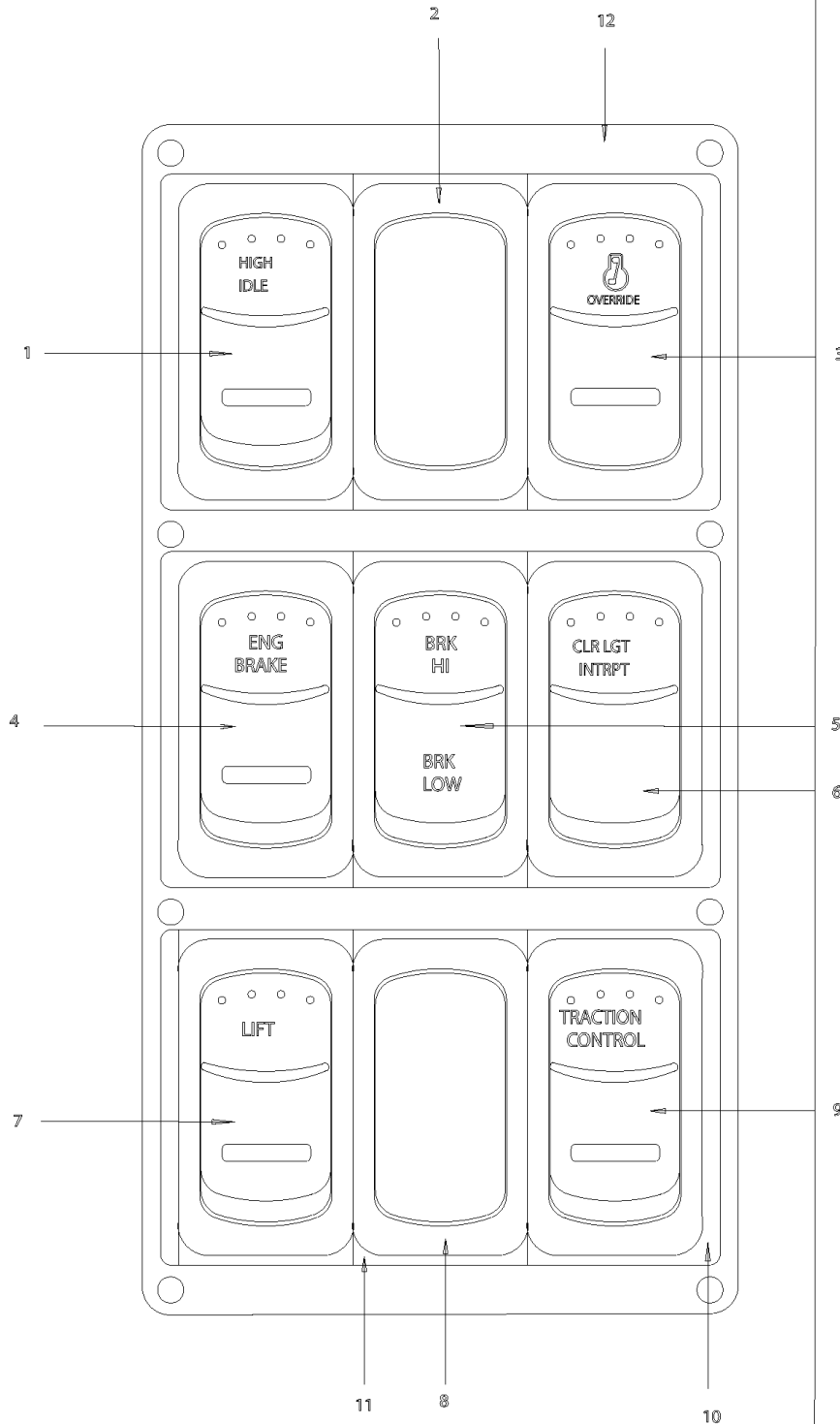


Models: **M4RE**
SWITCH PANEL
DASH
LEFT, UPPER, BLACK

Key	PartNumber	Qty	Description	Comment
1	0051021	1	SWITCH,BASE,NGR,DPDT,ON-OFF-ON	STANDARD
	0057568		PANEL ASSY,SW,LEFT DASH,UPPER,BLACK	CONSIST OF THE FOLLOWING
1	0051039	1	ROCKER,NGR,HEAD/PARK LIGHTS	STANDARD
2	0027294	1	SWITCH,BASE,NGR,SPST,ON-ON,EXT IND	STANDARD
2	0038289	1	ROCKER,BUTTON,NGR,LIGHTS,FOG	STANDARD
3	0027347	2	BEZEL,END,NGR,SWITCH PANEL	
4	0041417	1	PANEL,SWITCH,DASH,PANEL A,2 POS,BLACK,	

Models: M4RE
SWITCH PANEL
DASH
PANEL ASSEMBLY, DRIVER ARM REST, FRONT & REAR, BLACK

Key	PartNumber	Qty	Description	Comment
-----	------------	-----	-------------	---------

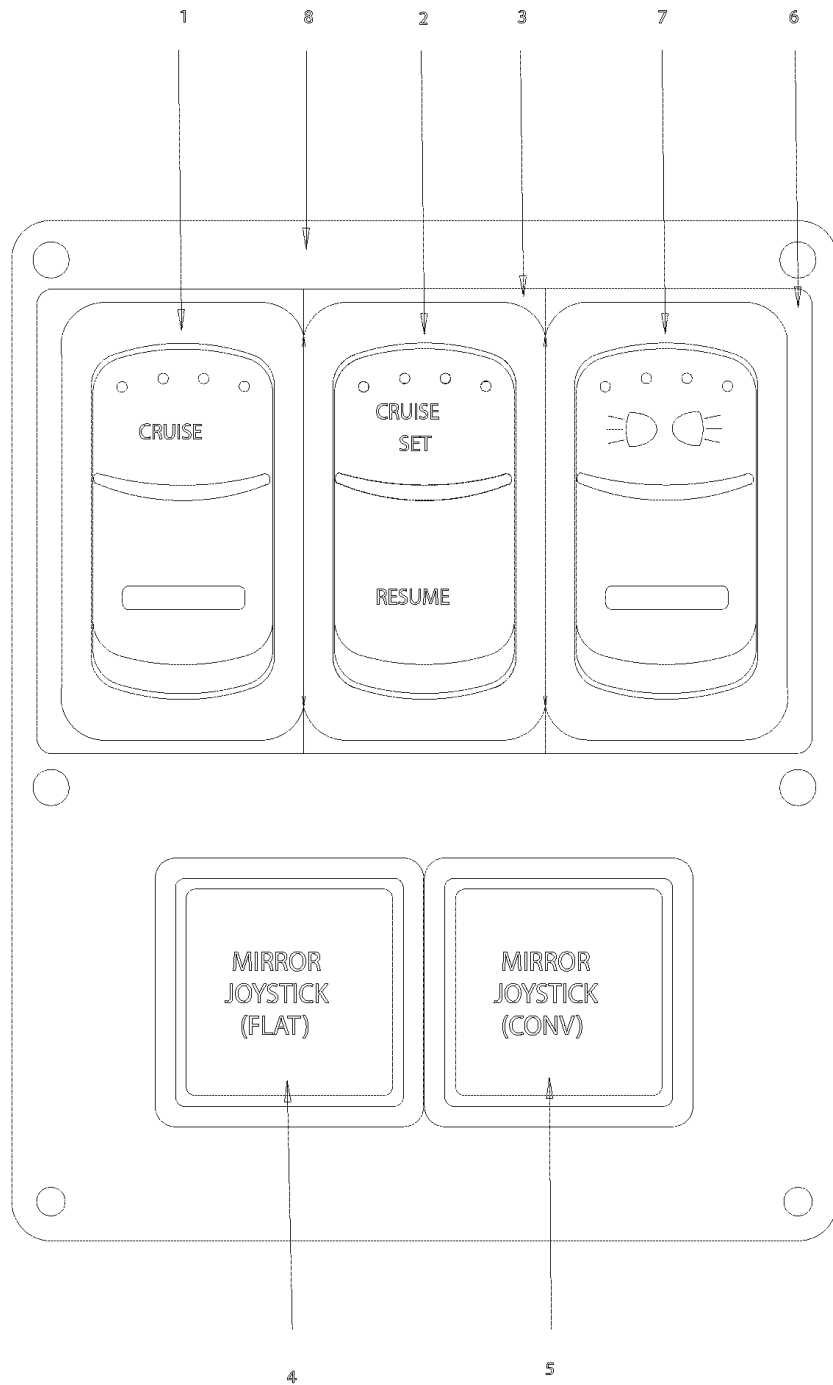


**Models: M4RE
SWITCH PANEL
DASH
PANEL ASSEMBLY, DRIVER ARM REST, FRONT & REAR, BLACK**

Key	PartNumber	Qty	Description	Comment
1	0027294	1	SWITCH,BASE,NGR,SPST,ON-ON,EXT IND	STANDARD
	0057577		PANEL ASSY,SW,DRV ARM REST,AFT,BLACK	CONSIST OF THE FOLLOWING
1	0051047	1	ROCKER,NGR,HIGH IDLE,OFF-ON	STANDARD
2	0027297	2	SWITCH,BASE,NGR,SPST,IND,OFF-MOM ON	FEATURE 38102-19
2	0051040	2	ROCKER,NGR,MIRROR HEATED	FEATURE 38102-19
3	0051023	1	SWITCH,BASE,NGR,SPST,NONE-ON-MOM OFF	FEATURE 40190-01
3	0051034	1	ROCKER,NGR,OVERRIDE,STOP ENG	FEATURE 40190-01
4	0027294	1	SWITCH,BASE,NGR,SPST,ON-ON,EXT IND	STANDARD
4	0051038	1	ROCKER,NGR,ENG BRK	STANDARD
5	0051024	1	SWITCH,BASE,NGR,SPKR,ON-ON-ON	STANDARD
5	0057325	1	SWITCH,ROCKER,NGR,ENGINE BRAKE HI/LO	STANDARD
6	0027297	1	SWITCH,BASE,NGR,SPST,IND,OFF-MOM ON	STANDARD
6	0057327	1	SWITCH,ROCKER,NGR,CLEAR LTS INTERRUPT	STANDARD
7	0027294	1	SWITCH,BASE,NGR,SPST,ON-ON,EXT IND	FEATURE 40051-06
7	0027325	1	ROCKER,BUTTON,NGR,LIFT	FEATURE 40051-06
8	0027349	1	BLANK,PLUG,SWITCH PANEL,NGR	
9	0027297	1	SWITCH,BASE,NGR,SPST,IND,OFF-MOM ON	STANDARD
9	0057329	1	SWITCH,ROCKER,NGR,TRACTION CONTROL	STANDARD
10	0027347	6	BEZEL,END,NGR,SWITCH PANEL	
11	0027348	3	BEZEL,CENTER,NGR,SWITCH PANEL	
12	0041488	1	PANEL,SWITCH,DRV ARM REST,PNL B,BLACK,	

Models: M4RE
SWITCH PANEL
DASH
PANEL ASSEMBLY, DRIVER ARM REST, FORWARD

Key	PartNumber	Qty	Description	Comment
-----	------------	-----	-------------	---------

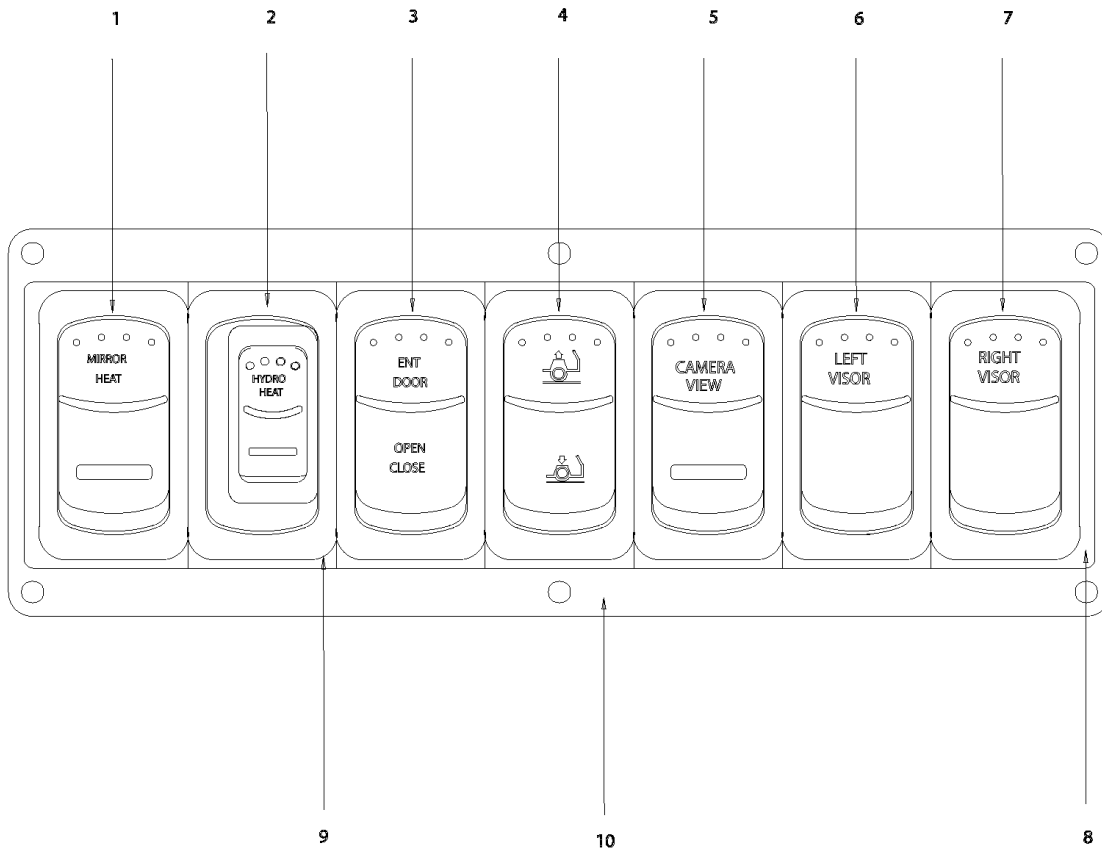


Models: **M4RE**
SWITCH PANEL
DASH
PANEL ASSEMBLY, DRIVER ARM REST, FORWARD

Key	PartNumber	Qty	Description	Comment
1	0027294	1	SWITCH,BASE,NGR,SPST,ON-ON,EXT IND	STANDARD
	0057572		PANEL ASSY,SW,DRV ARM REST,FORWARD	CONSIST OF THE FOLLOWING
1	0051043	1	ROCKER,NGR,CRUISE CONTROL	STANDARD
2	0027296	1	SWITCH,BASE,NGR,SPDT,MOM ON-OFF-MOM	STANDARD
2	0061487	1	SWITCH,ROCKER,NGR,CRUISE,SET/RESUME	STANDARD
3	0027294	1	SWITCH,BASE,NGR,SPST,ON-ON,EXT IND	STANDARD
3	0057316	1	SWITCH,ROCKER,NGR,CLEARANCE LIGHTS	STANDARD
4	3907169	1	SWITCH,MIRROR POSITION CTRL,RAMCO 592	STANDARD
5	3907169	1	SWITCH,MIRROR POSITION CTRL,RAMCO 592	STANDARD
6	0027347	2	BEZEL,END,NGR,SWITCH PANEL	
7	0027348	1	BEZEL,CENTER,NGR,SWITCH PANEL	
8	0041489	1	PANEL,SWITCH,DVR ARM REST,PNL A,BLACK,	

Models: M4RE
SWITCH PANEL
DASH
PANEL ASSEMBLY, RIGHT, LOWER, BLACK

Key	PartNumber	Qty	Description	Comment
-----	------------	-----	-------------	---------

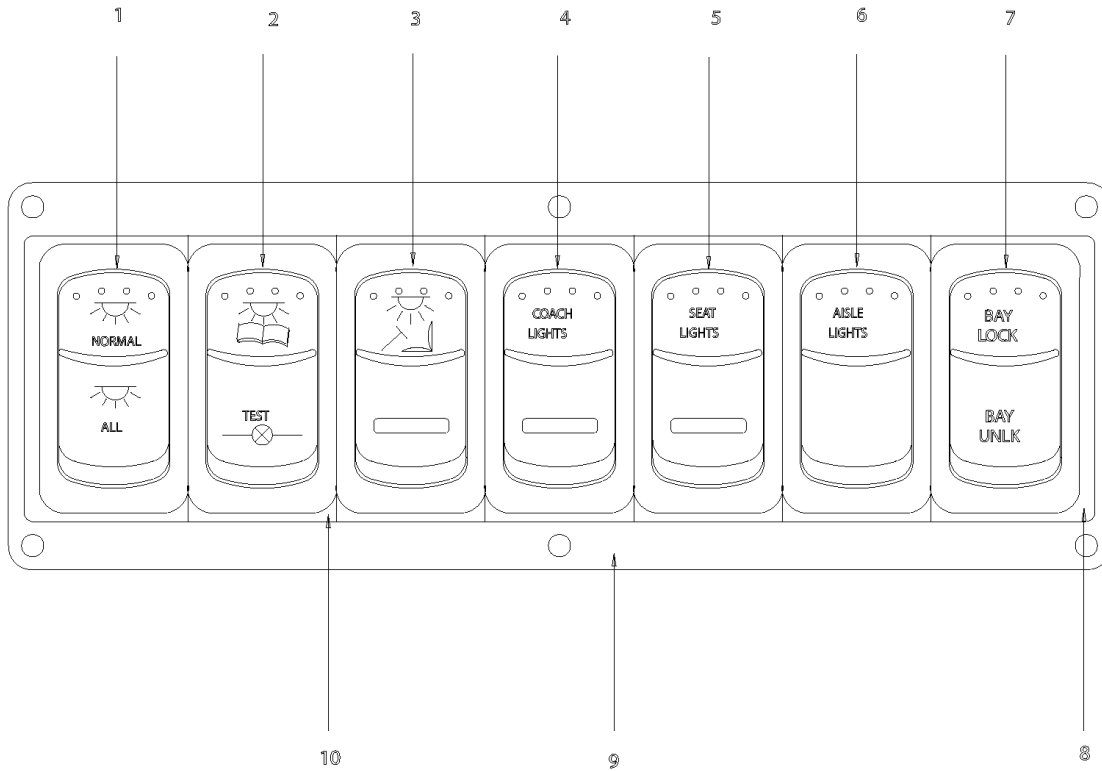


**Models: M4RE
SWITCH PANEL
DASH
PANEL ASSEMBLY, RIGHT, LOWER, BLACK**

Key	PartNumber	Qty	Description	Comment
	0057575		PANEL ASSY,SW,RIGHT DASH,LOWER,BLACK	CONSIST OF THE FOLLOWING
1	0027297	1	SWITCH,BASE,NGR,SPST,IND,OFF-MOM ON	FEATURE 38102-20
1	0027297	1	SWITCH,BASE,NGR,SPST,IND,OFF-MOM ON	FEATURE 38102-20
1	0051040	1	ROCKER,NGR,MIRROR HEATED	FEATURE 38102-20
2	0027294	1	SWITCH,BASE,NGR,SPST,ON-ON,EXT IND	FEATURE 38102-20 & 38102-02
2	0051042	1	ROCKER,NGR,HYDRONIC HEAT	FEATURE 38102-20 & 38102-02
3	0027296	1	SWITCH,BASE,NGR,SPDT,MOM ON-OFF-MOM	FEATURE 38102-20
3	0037729	1	ROCKER,BUTTON,NGR,ENT DOOR	FEATURE 38102-20
4	0027296	1	SWITCH,BASE,NGR,SPDT,MOM ON-OFF-MOM	FEATURE 40015-02
4	0051032	1	ROCKER,NGR,KNEEL	FEATURE 40015-02
5	0089173	1	SWITCH,ROCKER,NGR,CAMERA VIEW	FEATURE 38105-16
6	0059226	1	SWITCH,BASE,NGR,SPDT,MOM ON-OFF-MOM	FEATURE 38111-04 OR 38111-05
6	0057322	1	SWITCH,ROCKER,NGR,LEFT VISOR	FEATURE 38111-04 OR 38111-05
7	0059226	1	SWITCH,BASE,NGR,SPDT,MOM ON-OFF-MOM	FEATURE 38111-05
7	0057324	1	SWITCH,ROCKER,NGR,RIGHT VISOR	FEATURE 38111-05
8	0027347	2	BEZEL,END,NGR,SWITCH PANEL	
9	0027348	5	BEZEL,CENTER,NGR,SWITCH PANEL	
10	0041409	1	PANEL,SWITCH,DASH,PANEL B,7 POS,BLACK,	

Models: M4RE
SWITCH PANEL
DASH
PANEL ASSEMBLY, RIGHT, MIDDLE, BLACK

Key	PartNumber	Qty	Description	Comment
-----	------------	-----	-------------	---------

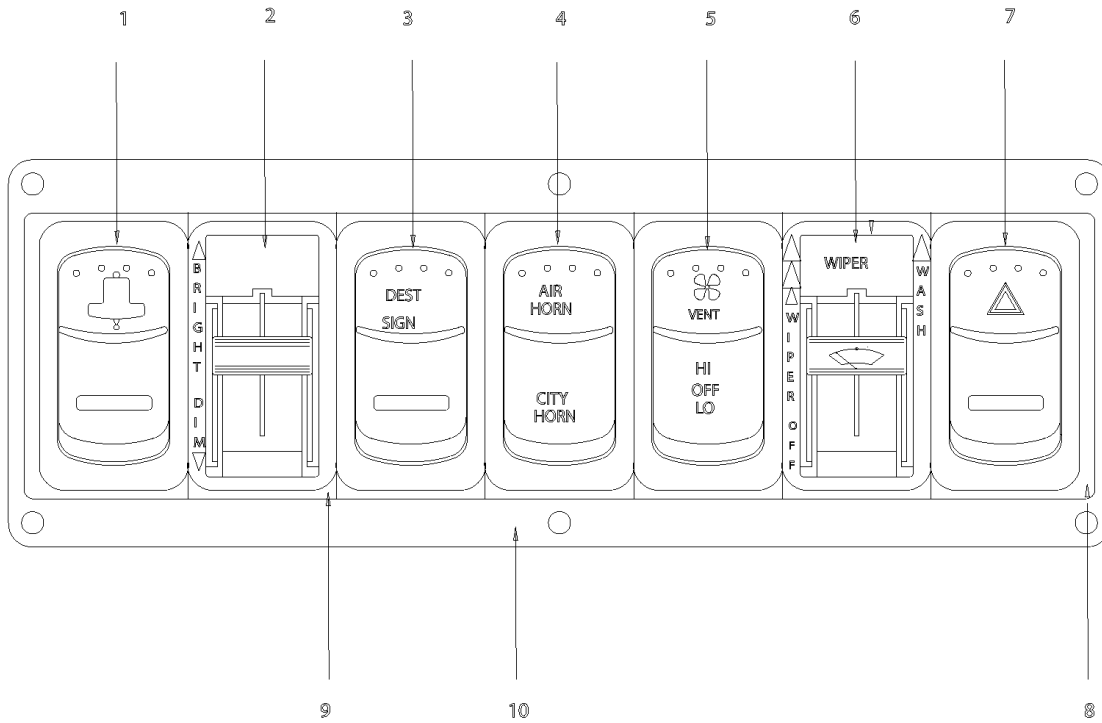


Models: **M4RE**
SWITCH PANEL
DASH
PANEL ASSEMBLY, RIGHT, MIDDLE, BLACK

Key	PartNumber	Qty	Description	Comment
	0057574		PANEL ASSY,SW,RIGHT DASH,MIDDLE,BLACK	CONSIST OF THE FOLLOWING
1	0051021	1	SWITCH,BASE,NGR,DPDT,ON-OFF-ON	STANDARD
1	0051036	1	ROCKER,NGR,DOME,NORMAL,ALL	STANDARD
1	0027349	1	BLANK,PLUG,SWITCH PANEL,NGR	WITH 30961-01
2	0051021	1	SWITCH,BASE,NGR,DPDT,ON-OFF-ON	STANDARD
2	0057328	1	SWITCH,ROCKER,NGR,READING LIGHTS	STANDARD
2	0027349	1	BLANK,PLUG,SWITCH PANEL,NGR	WITH 30961-01
3	0027294	1	SWITCH,BASE,NGR,SPST,ON-ON,EXT IND	STANDARD
3	0051046	1	ROCKER,NGR,DRIVERS LIGHT	STANDARD
4	0027294	1	SWITCH,BASE,NGR,SPST,ON-ON,EXT IND	STANDARD
4	0057318	1	SWITCH,ROCKER,NGR,COACH LIGHTS	STANDARD
5	0027294	1	SWITCH,BASE,NGR,SPST,ON-ON,EXT IND	STANDARD
5	0057319	1	SWITCH,ROCKER,NGR,SEAT LIGHTS	STANDARD
5	0027312		ROCKER,BUTTON,NGR,DOME,FRONT	WITH 30961-01
6	0027294	1	SWITCH,BASE,NGR,SPST,ON-ON,EXT IND	STANDARD
6	0051037		ROCKER,NGR,AISLE LTS	STANDARD
6	0027313	1	ROCKER,BUTTON,NGR,DOME,REAR	WITH 30961-01
7	0059226	1	SWITCH,BASE,NGR,SPDT,MOM ON-OFF-MOM	FEATURE 38119-02
8	0027347	2	BEZEL,END,NGR,SWITCH PANEL	
9	0027348	5	BEZEL,CENTER,NGR,SWITCH PANEL	
10	0041409	1	PANEL,SWITCH,DASH,PANEL B,7 POS,BLACK,	

Models: M4RE
SWITCH PANEL
DASH
PANEL ASSEMBLY, RIGHT, UPPER, BLACK

Key	PartNumber	Qty	Description	Comment
-----	------------	-----	-------------	---------



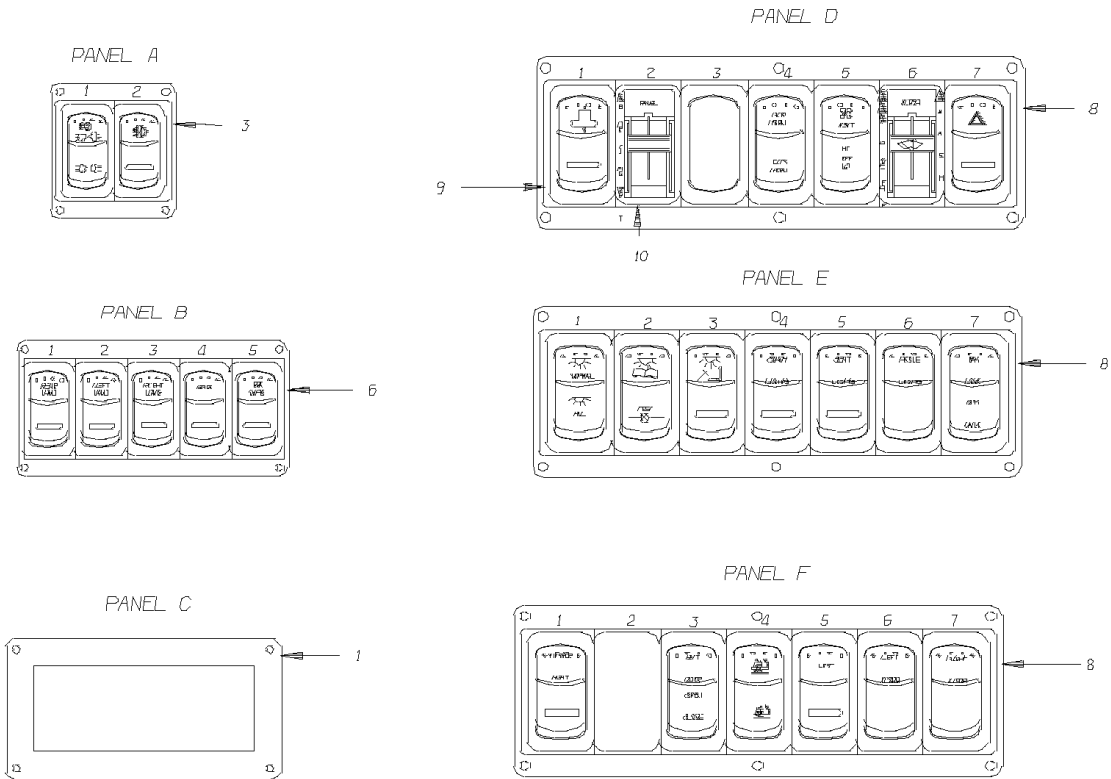
Models: **M4RE**
SWITCH PANEL
DASH
PANEL ASSEMBLY, RIGHT, UPPER, BLACK

Key	PartNumber	Qty	Description	Comment
1	0027294	1	SWITCH,BASE,NGR,SPST,ON-ON,EXT IND	FEATURE 30299-01
	0057573		PANEL ASSY,SW,RIGHT DASH,UPPER,BLACK	CONSIST OF THE FOLLOWING
1	0027323	1	ROCKER,BUTTON,NGR,CHIME	FEATURE 30299-01
2	0027933	1	SWITCH,SLIDE,DIMMER,PANEL,GANG	STANDARD
3	0027294	1	SWITCH,BASE,NGR,SPST,ON-ON,EXT IND	FEATURE 31140-13
3	0071709	1	SWITCH ASSY,ROCKER,NGR,DEST SIGN	FEATURE 31140-13
4	0027294	1	SWITCH,BASE,NGR,SPST,ON-ON,EXT IND	FEATURE 38117-01
4	0057317	1	SWITCH,ROCKER,NGR,HORN SELECT	FEATURE 38117-01
5	0051021	1	SWITCH,BASE,NGR,DPDT,ON-OFF-ON	FEATURE 30030-03
5	0027324	1	ROCKER,BUTTON,NGR,VENT,ROOF,2 SPEED	FEATURE 30030-03
6	0043341	1	SWITCH,DELAY,WIPER	STANDARD
7	0051027	1	SWITCH,BASE,NGR,DPST,ON-NONE-ON	STANDARD
7	0051041	1	ROCKER,NGR,HAZARD	STANDARD
8	0027347	2	BEZEL,END,NGR,SWITCH PANEL	
9	0027348	5	BEZEL,CENTER,NGR,SWITCH PANEL	
10	0041409	1	PANEL,SWITCH,DASH,PANEL B,7 POS,BLACK,	

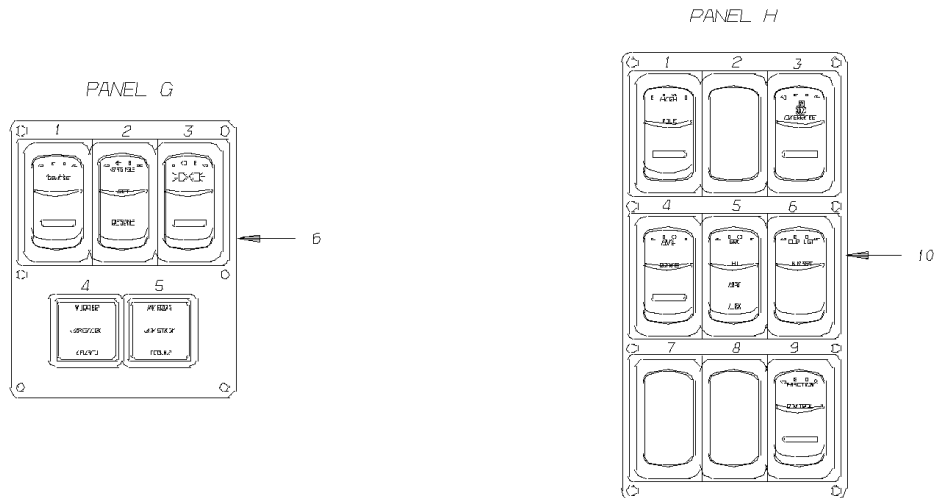
Models: **M4RE**
SWITCH PANEL
SWITCH IDENTIFICATION

Key	PartNumber	Qty	Description	Comment
-----	------------	-----	-------------	---------

DASH SWITCH PANELS W/MAT BLACK FINISH



ARMREST SWITCH PANELS W/MAT BLACK FINISH



**Models: M4RE
SWITCH PANEL
SWITCH IDENTIFICATION**

Key	PartNumber	Qty	Description	Comment
			PANEL A	
	0057568		PANEL ASSY,SW,LEFT DASH,UPPER,BLACK	
1	0051039		ROCKER,NGR,HEAD/PARK LIGHTS	
1	0051021		SWITCH,BASE,NGR,DPDT,ON-OFF-ON	
2	0038289		ROCKER,BUTTON,NGR,LIGHTS,FOG	
2	0027294		SWITCH,BASE,NGR,SPST,ON-ON,EXT IND	
3	0041417		PANEL,SWITCH,DASH,PANEL A,2 POS,BLACK,	
3	0027347	2	BEZEL,END,NGR,SWITCH PANEL	
			PANEL B	
	0057570		PANEL ASSY,SW,LEFT DASH,MIDDLE,BLACK	
1	0057312		SWITCH,ROCKER,NGR,REAR LANDING GEAR	
1	0027294		SWITCH,BASE,NGR,SPST,ON-ON,EXT IND	
2	0057313		SWITCH,ROCKER,NGR,LEFT LAND LTS	FEATURE 38118-02
2	0027294		SWITCH,BASE,NGR,SPST,ON-ON,EXT IND	
3	0057314		SWITCH,ROCKER,NGR,RIGHT LAND LTS	FEATURE 38118-02
3	0027294		SWITCH,BASE,NGR,SPST,ON-ON,EXT IND	
4	0057315		SWITCH,ROCKER,NGR,BACK UP ALARM	
4	0027294		SWITCH,BASE,NGR,SPST,ON-ON,EXT IND	
5	0027327		ROCKER,BUTTON,NGR,BRAKE OVERRIDE	
5	0051023		SWITCH,BASE,NGR,SPST,NONE-ON-MOM OFF	
6	0041413		PANEL,SWITCH,DASH,PANEL A,5 POS,BLACK,	
6	0027347		BEZEL,END,NGR,SWITCH PANEL	
6	0027348		BEZEL,CENTER,NGR,SWITCH PANEL	

**Models: M4RE
SWITCH PANEL
SWITCH IDENTIFICATION**

Key	PartNumber	Qty	Description	Comment
			PANEL C	
1	0059228		PANEL,DASH,A/C CONTROL,BLACK, M4RE	
			PANEL D	
	0057573		PANEL ASSY,SW,RIGHT DASH,UPPER,BLACK	
1	0027323		ROCKER,BUTTON,NGR,CHIME	FEATURE 30299-01
1	0027294		SWITCH,BASE,NGR,SPST,ON-ON,EXT IND	
2	0027933		SWITCH,SLIDE,DIMMER,PANEL,GANG	
3	0027349		BLANK,PLUG,SWITCH PANEL,NGR	
4	0057317		SWITCH,ROCKER,NGR,HORN SELECT	FEATURE 38117-01
4	0027294		SWITCH,BASE,NGR,SPST,ON-ON,EXT IND	
5	0027324		ROCKER,BUTTON,NGR,VENT,ROOF,2 SPEED	FEATURE 30030-03
5	0051021		SWITCH,BASE,NGR,DPDT,ON-OFF-ON	
6	0043341		SWITCH,DELAY,WIPER	
7	0051041		ROCKER,NGR,HAZARD	
7	0051027		SWITCH,BASE,NGR,DPST,ON-NONE-ON	
8	0041409		PANEL,SWITCH,DASH,PANEL B,7 POS,BLACK,	
9	0027347		BEZEL,END,NGR,SWITCH PANEL	
10	0027348		BEZEL,CENTER,NGR,SWITCH PANEL	
			PANEL E	
	0057574		PANEL ASSY,SW,RIGHT DASH,MIDDLE,BLACK	
1	0051036		ROCKER,NGR,DOME,NORMAL,ALL	
1	0051021		SWITCH,BASE,NGR,DPDT,ON-OFF-ON	
2	0057328		SWITCH,ROCKER,NGR,READING LIGHTS	

**Models: M4RE
SWITCH PANEL
SWITCH IDENTIFICATION**

Key	PartNumber	Qty	Description	Comment
2	0051021		SWITCH,BASE,NGR,DPDT,ON-OFF-ON	
3	0051046		ROCKER,NGR,DRIVERS LIGHT	
3	0027294		SWITCH,BASE,NGR,SPST,ON-ON,EXT IND	
4	0057318		SWITCH,ROCKER,NGR,COACH LIGHTS	
4	0027294		SWITCH,BASE,NGR,SPST,ON-ON,EXT IND	
5	0057319		SWITCH,ROCKER,NGR,SEAT LIGHTS	
5	0027294		SWITCH,BASE,NGR,SPST,ON-ON,EXT IND	
6	0051037		ROCKER,NGR,AISLE LTS	
6	0027294		SWITCH,BASE,NGR,SPST,ON-ON,EXT IND	
7	0057320		SWITCH,ROCKER,NGR,LUGGAGE LOCK	FEATURE 38119-02
7	0059226		SWITCH,BASE,NGR,SPDT,MOM ON-OFF-MOM	
8	0041409		PANEL,SWITCH,DASH,PANEL B,7 POS,BLACK,	
8	0027347		BEZEL,END,NGR,SWITCH PANEL	
8	0027348		BEZEL,CENTER,NGR,SWITCH PANEL	
			PANEL F	
	0057575		PANEL ASSY,SW,RIGHT DASH,LOWER,BLACK	
1	0051040		ROCKER,NGR,MIRROR HEATED	
1	0027297		SWITCH,BASE,NGR,SPST,IND,OFF-MOM ON	
2	0027349		BLANK,PLUG,SWITCH PANEL,NGR	
3	0037729		ROCKER,BUTTON,NGR,ENT DOOR	
3	0027296		SWITCH,BASE,NGR,SPDT,MOM ON-OFF-MOM	
4	0051032		ROCKER,NGR,KNEEL	FEATURE 40015-02
4	0027296		SWITCH,BASE,NGR,SPDT,MOM ON-OFF-MOM	

**Models: M4RE
SWITCH PANEL
SWITCH IDENTIFICATION**

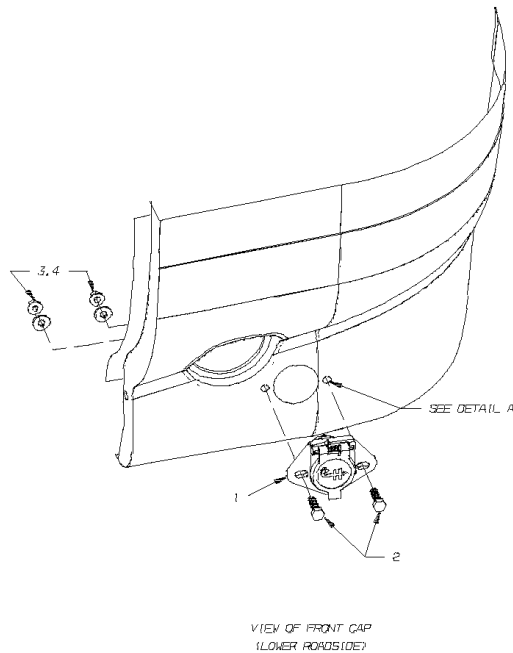
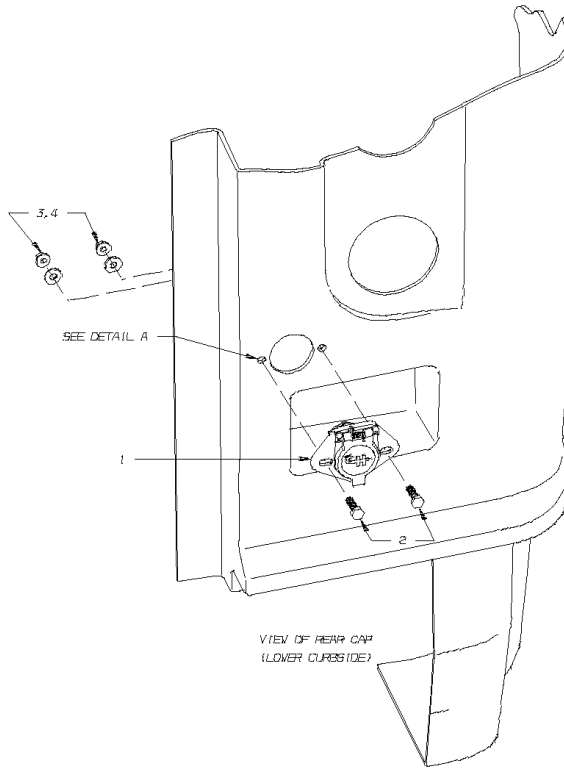
Key	PartNumber	Qty	Description	Comment
5	0027325		ROCKER,BUTTON,NGR,LIFT	FEATURE 40051-06
5	0027294		SWITCH,BASE,NGR,SPST,ON-ON,EXT IND	
6	0057322		SWITCH,ROCKER,NGR,LEFT VISOR	FEATURE 38111-04, -05
6	0059226		SWITCH,BASE,NGR,SPDT,MOM ON-OFF-MOM	
7	0057324		SWITCH,ROCKER,NGR,RIGHT VISOR	FEATURE 38111-05
7	0059226		SWITCH,BASE,NGR,SPDT,MOM ON-OFF-MOM	
8	0041409		PANEL,SWITCH,DASH,PANEL B,7 POS,BLACK,	
8	0027347		BEZEL,END,NGR,SWITCH PANEL	
8	0027348		BEZEL,CENTER,NGR,SWITCH PANEL	
			PANEL G	
	0057572		PANEL ASSY,SW,DRV ARM REST,FORWARD	
1	0014721		SWITCH,ROCKER,NGR,CRUISE ON/OFF	
2	0014722		SWITCH,ROCKER,NGR,CRUISE SET/RESUME	
3	0057316		SWITCH,ROCKER,NGR,CLEARANCE LIGHTS	
3	0027294		SWITCH,BASE,NGR,SPST,ON-ON,EXT IND	
4	3907169		SWITCH,MIRROR POSITION CTRL,RAMCO 592	FLAT
5	3907169		SWITCH,MIRROR POSITION CTRL,RAMCO 592	CONVEX
6	0041489		PANEL,SWITCH,DVR ARM REST,PNL A,BLACK,	
6	0027347		BEZEL,END,NGR,SWITCH PANEL	
6	0027348		BEZEL,CENTER,NGR,SWITCH PANEL	
			PANEL H	
	0057577		PANEL ASSY,SW,DRV ARM REST,AFT,BLACK	
1	0051047		ROCKER,NGR,HIGH IDLE,OFF-ON	

Models: **M4RE**
SWITCH PANEL
SWITCH IDENTIFICATION

Key	PartNumber	Qty	Description	Comment
1	0027294		SWITCH,BASE,NGR,SPST,ON-ON,EXT IND	
2	0027349		BLANK,PLUG,SWITCH PANEL,NGR	
3	0051034		ROCKER,NGR,OVERRIDE,STOP ENG	FEATURE 40190-01
3	0051023		SWITCH,BASE,NGR,SPST,NONE-ON-MOM OFF	
4	0051038		ROCKER,NGR,ENG BRK	
4	0027294		SWITCH,BASE,NGR,SPST,ON-ON,EXT IND	
5	0057325		SWITCH,ROCKER,NGR,ENGINE BRAKE HI/LO	
5	0051024		SWITCH,BASE,NGR,SPKR,ON-ON-ON	
6	0057327		SWITCH,ROCKER,NGR,CLEAR LTS INTERRUPT	
6	0027297		SWITCH,BASE,NGR,SPST,IND,OFF-MOM ON	
7	0027349		BLANK,PLUG,SWITCH PANEL,NGR	
8	0027349		BLANK,PLUG,SWITCH PANEL,NGR	
9	0057329		SWITCH,ROCKER,NGR,TRACTION CONTROL	
9	0027294		SWITCH,BASE,NGR,SPST,ON-ON,EXT IND	
10	0041488		PANEL,SWITCH,DRV ARM REST,PNL B,BLACK,	
10	0027347		BEZEL,END,NGR,SWITCH PANEL	
10	0027348		BEZEL,CENTER,NGR,SWITCH PANEL	

Models: M4RE
TOE PLUG, FRONT & REAR

Key	PartNumber	Qty	Description	Comment
-----	------------	-----	-------------	---------



Models: **M4RE**
TOE PLUG, FRONT & REAR

Key	PartNumber	Qty	Description	Comment
1	4474284	2	SOCKET,COLE-HERSEE 12063	
2	0989145	4	CAPSCREW,HEX HD,5/16-18, X, 1, ,GR5,	
3	2001121	4	WASHER,FLAT,5/16 X 3/4,X 5/64,YEL ZN DICH	
4	0002811	4	NUT,HEX HD,5/16-18.FLG,LK,NYL INS,YEL ZN	