

Chassis

090 Frame

BUMPER & TOW HOOK
REAR

With: STD _____ 1

With: FEATURE 40086-05 _____ 2

FRAME COMPONENTS

4004BM

From CSN _____ 3

4404BM

To CSN _____ 4

FRAME TO LUGGAGE BAY

40 FT

_____ 5

45 FT

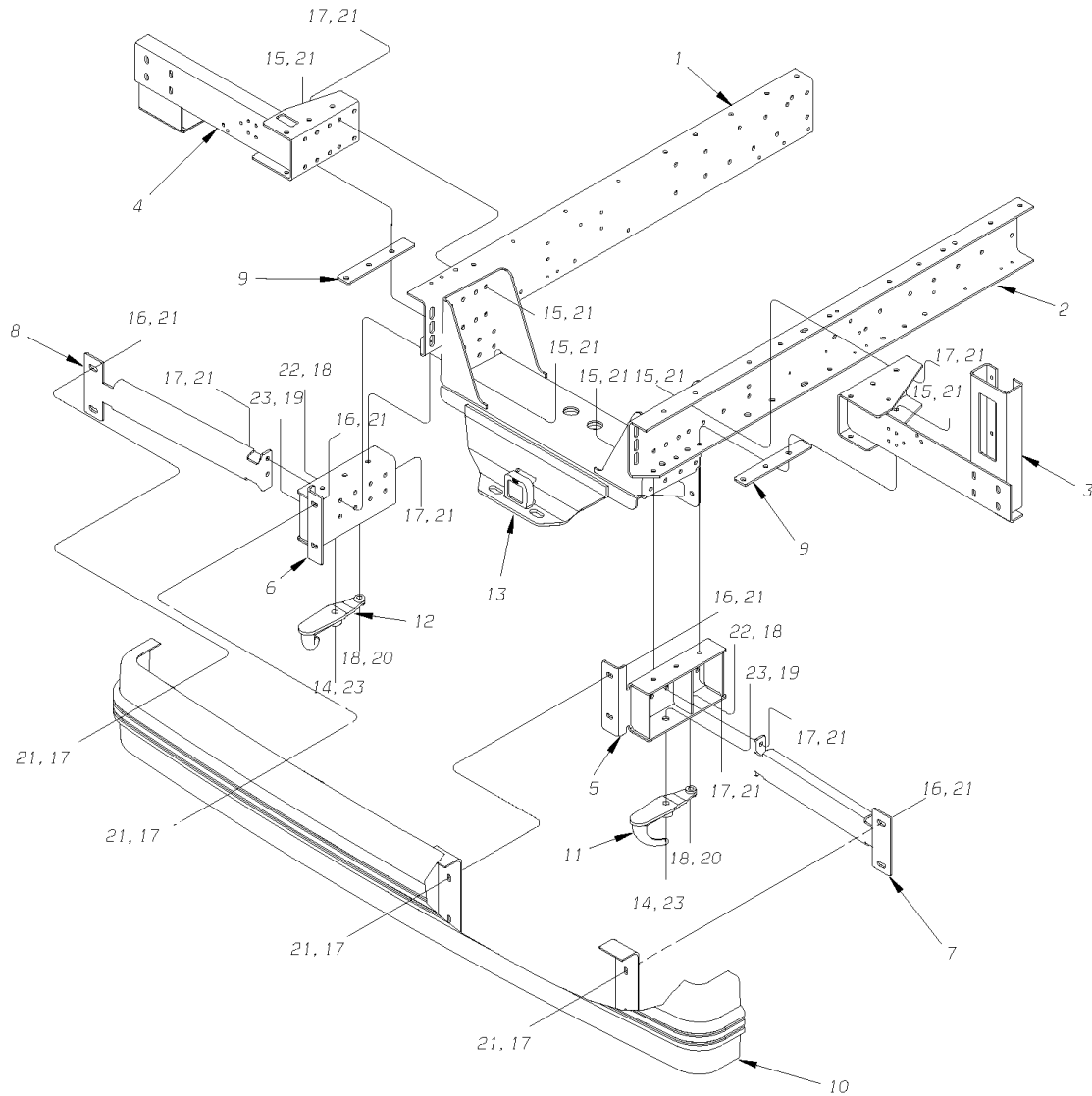
_____ 6

FRONT BASKET TO CHASSIS

_____ 7

Models: M4RE
BUMPER & TOW HOOK
REAR
With: STD

Key	PartNumber	Qty	Description	Comment
-----	------------	-----	-------------	---------

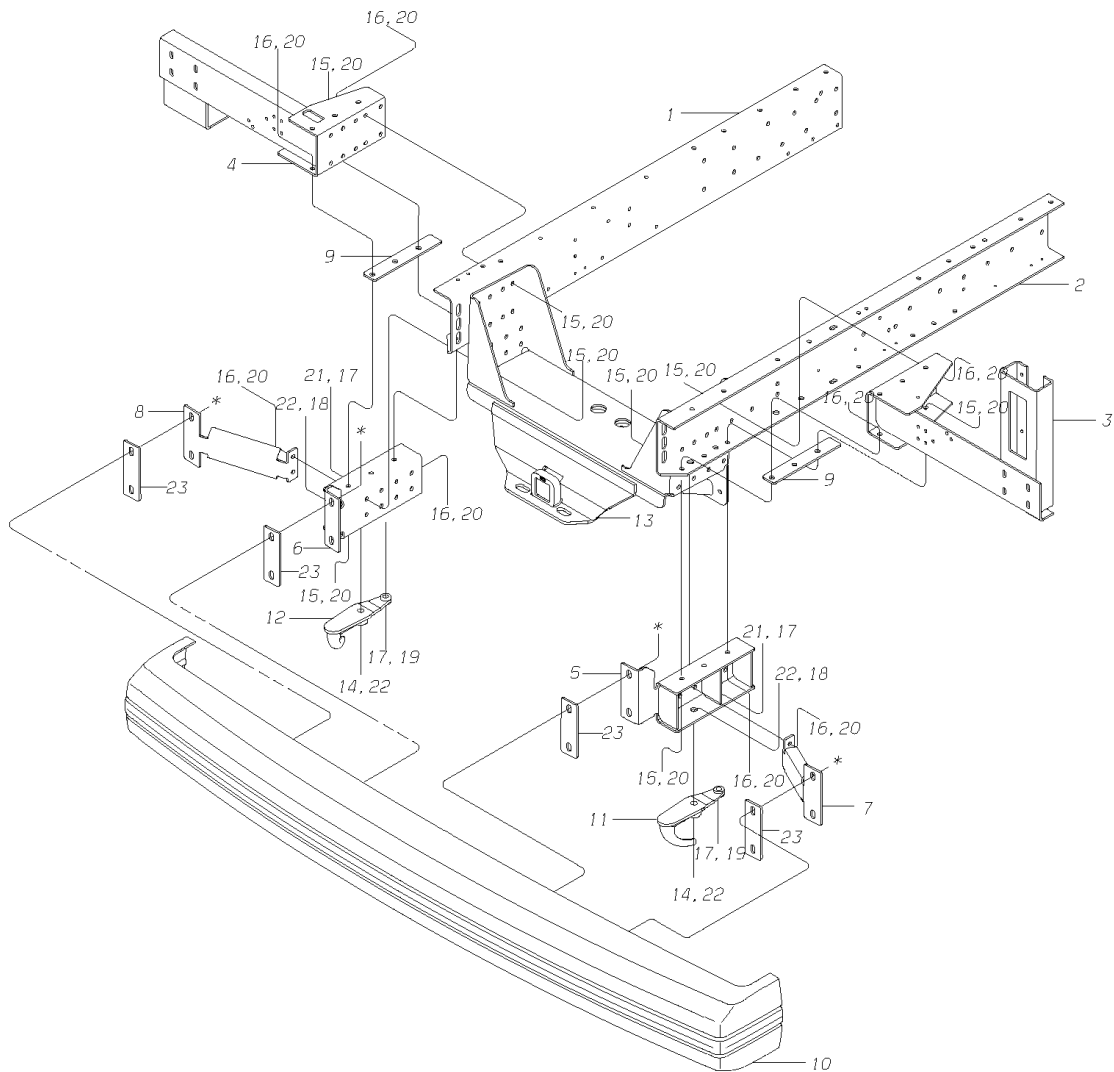


Models: M4RE
BUMPER & TOW HOOK
REAR
With: STD

Key	PartNumber	Qty	Description	Comment
1	0014746	RE	FRAME,SUB,REAR,LH,RE	
2	0014753	RE	FRAME,SUB,REAR,RH,RE	
3	0046515	RE	ANGLE ASSY,REAR STRUCTURE RH, H4RE	
4	0055220	RE	ANGLE ASSY,REAR STRUCTURE,COACH,LH	
5	0058056	1	BRACKET ASSY,BUMPER/TOW HOOK,REAR,RH,	
6	0058057	1	BRACKET ASSY,BUMPER/TOW HOOK,REAR,LH,	
7	0058059	1	BRACE,BUMPER,STEEL,RIGHT HAND, M4RE	
8	0058061	1	BRACE,BUMPER,STEEL,LEFT HAND, M4RE	
9	0058065	2	SPACER,SUB FRM TO RR STRUC ANGLE ASSY,	
10	0058129	1	BUMPER ASSY,STEEL,REAR,M4RE	
11	0058292	1	HOOK,TOW,HEAVY DUTY,RIGHT HAND,REAR,	
12	0058293	1	HOOK,TOW,HEAVY DUTY,LEFT HAND,REAR,	
13	0058493	1	CROSSMEMBER ASSY,ENG/TRLR HTCH,CAT C12	
14	0008068	2	CAPSCREW,HEX HD,3/4-10X3,GR8,YELZNDICH	
15	0803148	38	CAPSCREW,HEX HD,1/2-13 X 1 3/4,GR8,	
16	0803239	8	CAPSCREW,HEX HD,1/2-13 X1 1/2,GR8	
17	0850800	46	NUT,HEX HD,1/2-13,LOCKING,GR 8,CAD WAX	
18	0929018	4	WASHER,FLAT,21/32 X 1 1/8 X 3/32,HDN,YEL	
19	0933879	2	NUT,HEX HD,3/4-10,PRVLG TORQ,GR8,CAD	
20	0939827	2	NUT,HEX HD,5/8-11,GR 8,LOCK,CADMIUM WAX	
21	1003045	92	WASHER,FLAT,17/32 X 1 1/16 X 7/64,HDN,	
22	1107895	2	CAPSCREW,HEX HD,5/8-11 X 2,GR8,YEL ZN	
23	1434695	4	WASHER,FLAT,3/4 X 1 1/8 X 7/64 HRD,YEL ZN	

Models: M4RE
BUMPER & TOW HOOK
REAR
With: FEATURE 40086-05

Key	PartNumber	Qty	Description	Comment
-----	------------	-----	-------------	---------

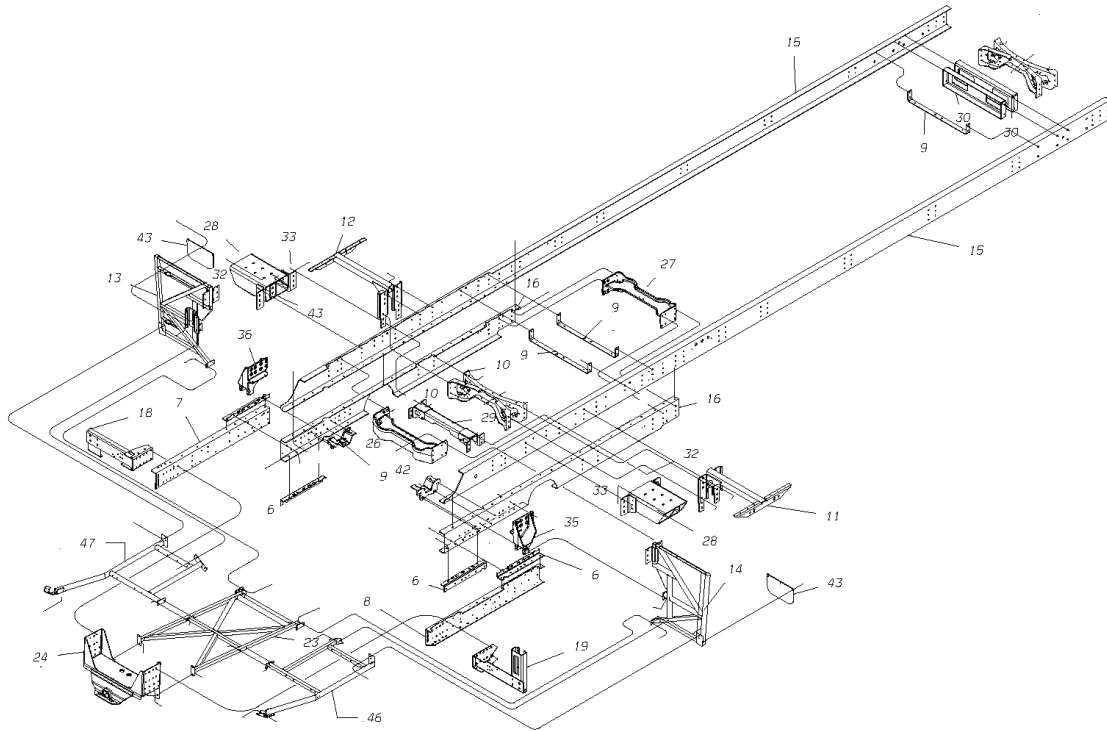


Models: M4RE
BUMPER & TOW HOOK
REAR
With: FEATURE 40086-05

Key	PartNumber	Qty	Description	Comment
1	0014746	RE	FRAME,SUB,REAR,LH,RE	
2	0014753	RE	FRAME,SUB,REAR,RH,RE	
3	0046515	RE	ANGLE ASSY,REAR STRUCTURE RH, H4RE	
4	0055220	RE	ANGLE ASSY,REAR STRUCTURE,COACH,LH	
5	0062684	1	BRACKET ASSY,BUMPER,TRANSPEC,I/S,RH,	
6	0062685	1	BRACKET ASSY,BUMPER,TRANSPEC,I/S,LH,	
7	0062385	1	BRACKET,MTG,BUMPER,TRANSPEC,O/S,RH,	
8	0062386	1	BRACKET,MTG,BUMPER,TRANSPEC,O/S,LH,	
9	0058065	2	SPACER,SUB FRM TO RR STRUC ANGLE ASSY,	
10	0060203	1	BUMPER ASSY,REAR,ANTI-RIDE,TRANSPEC,	
11	0058292	1	HOOK,TOW,HEAVY DUTY,RIGHT HAND,REAR,	
12	0058293	1	HOOK,TOW,HEAVY DUTY,LEFT HAND,REAR,	
13	0058493	1	CROSSMEMBER ASSY,ENG/TRLR HTCH,CAT C12	
14	0008068	2	CAPSCREW,HEX HD,3/4-10X3,GR8,YELZNDICH	
15	0803148	38	CAPSCREW,HEX HD,1/2-13 X 1 3/4,GR8,	
16	0850800	38	NUT,HEX HD,1/2-13,LOCKING,GR 8,CAD WAX	
17	0929018	4	WASHER,FLAT,21/32 X 1 1/8 X 3/32,HDN,YEL	
18	0933879	2	NUT,HEX HD,3/4-10,PRVLG TORQ,GR8,CAD	
19	0939827	2	NUT,HEX HD,5/8-11,GR 8,LOCK,CADMIUM WAX	
20	1003045	76	WASHER,FLAT,17/32 X 1 1/16 X 7/64,HDN,	
21	1107895	2	CAPSCREW,HEX HD,5/8-11 X 2,GR8,YEL ZN	
22	1434695	4	WASHER,FLAT,3/4 X 1 1/8 X 7/64 HRD,YEL ZN	
23	0058474	4	SPACER,BUMPER,TRANSPEC ANTI-RIDE, M4RE	

Models: **M4RE**
FRAME COMPONENTS
4004BM
 BSN: **From CSN**

Key	PartNumber	Qty	Description	Comment
-----	------------	-----	-------------	---------



Models: M4RE
FRAME COMPONENTS
4004BM
BSN: From CSN

Key	PartNumber	Qty	Description	Comment
1	1636943	10	PIN,FLG HEAD,HUCKSPIN,.50X2.22,HSP8	
2	1636968	11	COLLAR,HUCKSPIN,.50,HSCH-R16	
3	1003045	92	WASHER,FLAT,17/32 X 1 1/16 X 7/64,HDN,	
4	0850800	42	NUT,HEX HD,1/2-13,LOCKING,GR 8,CAD WAX	
5	0803239	40	CAPSCREW,HEX HD,1/2-13 X1 1/2,GR8	
6	1875053	4	ANGLE,ATTACHING SUBFRAME TO FRAME	
7	0014746	1	FRAME,SUB,REAR,LH,RE	
8	0014753	1	FRAME,SUB,REAR,RH,RE	
9	0000096	3	BRACKET,SUPPORT,DRIVE SHAFT GUARD,HDFE	
10	1807577	4	CROSSMEMBER,STAMPED,34 INCH	
11	0059177	1	BRACKET,ASSY,RR SUSP AIR BAG MNT,RH,	
12	0059176	1	BRKT ASSY,AIR BAG MOUNT TO FRAME,RR	
13	0061420	1	BULKHEAD ASSY,RR,LH, H4/M4RE	
14	0061422	1	BULKHEAD ASSY,RR,RH, M4RE	
15	0059354	1	FRAME RAIL SET, 4004 M4RE	
16	0061992	1	FRAME RAIL SET,REAR,LWR, 4004/4404 M4RE	
17			NOT CURRENTLY USED	
18	0055220	RE	ANGLE ASSY,REAR STRUCTURE,COACH,LH	
19	0046515	RE	ANGLE ASSY,REAR STRUCTURE RH, H4RE	
23	0066585	1	BRACE ASSY,BULKHEAD,TRAILER HITCH,SS,	
24	0058493	RE	CROSSMEMBER ASSY,ENG/TRLR HTCH,CAT C12	
25			NOT CURRENTLY USED	
26	0059609	1	CROSSMEMBER,TRQ/ROD,UPR,RR SUSP,	

Models: M4RE
FRAME COMPONENTS
4004BM
BSN: From CSN

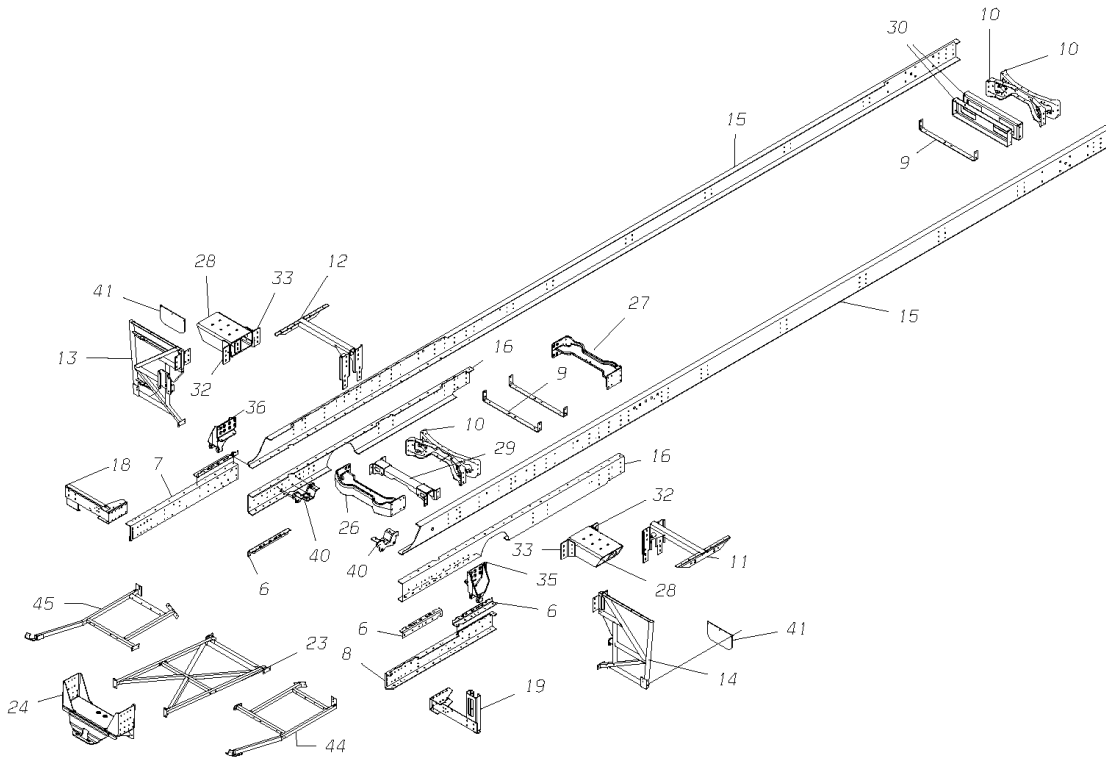
Key	PartNumber	Qty	Description	Comment
27	0059609	1	CROSSMEMBER,TRQ/ROD,UPR,RR SUSP,	
28	0058871	2	BRACKET ASSY,MTG,TAG AXLE AIR BAG TO FRM	
29	0059926	1	CHANNEL ASSY,MTG,S/ABS,TAG, H4/M4RE	
30	0058649	2	CROSSMEMBER,FLAT,FRT,IFS,40/45,M4/H4RE	
31	1003078	4	CAPSCREW,HEX HD,1/2-13 X 3,GR 8,YEL ZN	
32	0058872	2	ANGLE,MTG,TAG AXLE AIR BAG TO FRM,RH	
33	0058928	2	ANGLE,MTG,TAG AXLE AIR BAG TO FRM,LH	
34	0044986	12	FASTENER,HUCK,.31,BLIND,BOM-R10-4WH	
35	0061005	1	BRACKET,MTG,TORQUE ROD,TAG AXLE,RH,	
36	0061007	1	BRACKET,MTG,TORQUE ROD,TAG AXLE,LH,	
37	0803205	16	CAPSCREW,HEX HD,1/2-13 X 2,GR 8,YEL ZN	
38	0929018	32	WASHER,FLAT,21/32 X 1 1/8 X 3/32,HDN,YEL	
39	0939827	16	NUT,HEX HD,5/8-11,GR 8,LOCK,CADMIUM WAX	
40	1636950	12	PIN,FLG HEAD,HUCKSPIN,.50X2.60,HSP8	
41	0419804	2	CAPSCREW,HEX HD,1/2-13 X 1,GR8,YEL ZN	
42	0065843	RE	BRACKET ASSY,MTG,ENG/TRANS TO FRAME,	
43	0017335	2	MUDFLAP,8.5 X 15	
44	1576172	6	SCREW,HEX,WASH,5/16X3/4,TYPE F,YEL ZN	
45	2001048	6	WASHER,FLAT,11/32 X 11/16 X 1/16,YEL	
46	0067129	1	TUBE ASSY,COMPARTMENT,ENGINE,LOWER,RH,	
47	0067413	1	TUBE ASSY,COMPARTMENT,ENG,LWR,LH, M4RE	
48	4337119	4	CAPSCREW HEX HD 5/16-18 X 2 GR 8	
49	3840881	4	WASHER,FLAT,TYPE A,NARROW,5/16,ZN3	

Models: M4RE
FRAME COMPONENTS
4004BM
BSN: From CSN

Key	PartNumber	Qty	Description	Comment
50	0829390	4	NUT,HEX HD,5/16-18,SER WASHER,YEL ZN	

Models: **M4RE**
FRAME COMPONENTS
4404BM
To CSN

Key	PartNumber	Qty	Description	Comment
-----	------------	-----	-------------	---------



Models: **M4RE**
FRAME COMPONENTS
4404BM
To CSN

Key	PartNumber	Qty	Description	Comment
1	1636943	10	PIN,FLG HEAD,HUCKSPIN,.50X2.22,HSP8	
2	1636968	10	COLLAR,HUCKSPIN,.50,HSCH-R16	
3	1003045	10	WASHER,FLAT,17/32 X 1 1/16 X 7/64,HDN,	
4	0850800	50	NUT,HEX HD,1/2-13,LOCKING,GR 8,CAD WAX	
5	0803239	48	CAPSCREW,HEX HD,1/2-13 X1 1/2,GR8	
6	1875053	4	ANGLE,ATTACHING SUBFRAME TO FRAME	
7	0014746	1	FRAME,SUB,REAR,LH,RE	
8	0014753	1	FRAME,SUB,REAR,RH,RE	
9	0000096	3	BRACKET,SUPPORT,DRIVE SHAFT GUARD,HDFE	
10	1807577	4	CROSSMEMBER,STAMPED,34 INCH	
11	0059177	1	BRACKET,ASSY,RR SUSP AIR BAG MNT,RH,	
12	0059176	1	BRKT ASSY,AIR BAG MOUNT TO FRAME,RR	
13	0061420	1	BULKHEAD ASSY,RR,LH, H4/M4RE	
14	0061422	1	BULKHEAD ASSY,RR,RH, M4RE	
15	0048406	1	FRAME RAIL SET, 4404 M4RE	
16	0061992	1	FRAME RAIL SET,REAR,LWR, 4004/4404 M4RE	
17			NOT CURRENTLY USED	
18	0046513	RE	ANGLE ASSY,REAR STRUCTURE,LH, H4RE"	
19	0046515	RE	ANGLE ASSY,REAR STRUCTURE RH, H4RE	
20			NOT CURRENTLY USED	
21			NOT CURRENTLY USED	
22			NOT CURRENTLY USED	
23	0066585	1	BRACE ASSY,BULKHEAD,TRAILER HITCH,SS,	

Models: **M4RE**
FRAME COMPONENTS
4404BM
To CSN

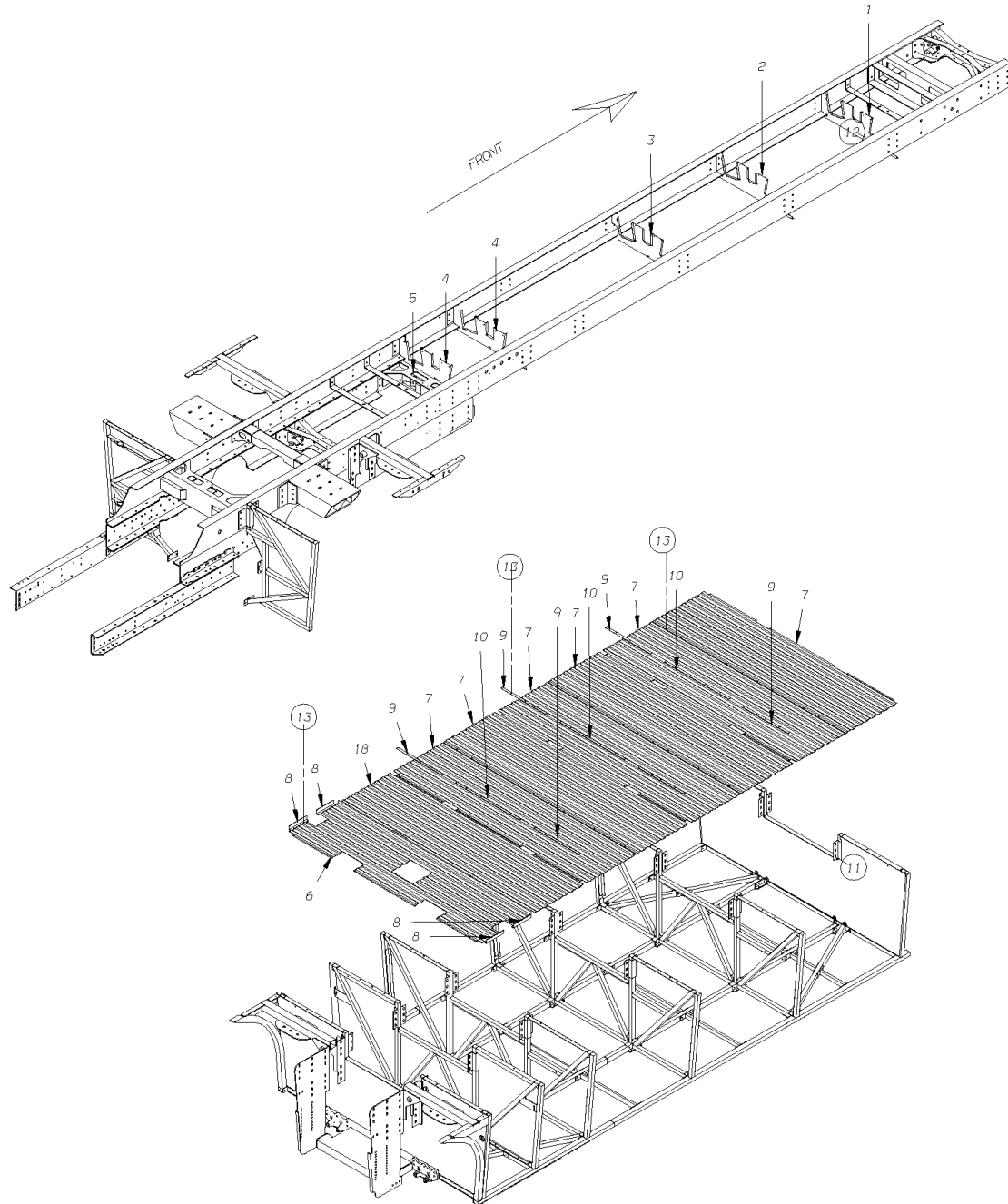
Key	PartNumber	Qty	Description	Comment
24	0058493	RE	CROSSMEMBER ASSY,ENG/TRLR HTCH,CAT C12	
25			NOT CURRENTLY USED	
26	0059609	1	CROSSMEMBER,TRQ/ROD,UPR,RR SUSP,	
27	0059609	RE	CROSSMEMBER,TRQ/ROD,UPR,RR SUSP,	
28	0058871	2	BRACKET ASSY,MTG,TAG AXLE AIR BAG TO FRM	
29	0059926	1	CHANNEL ASSY,MTG,S/ABS,TAG, H4/M4RE	
30	0058649	2	CROSSMEMBER,FLAT,FRT,IFS,40/45,M4/H4RE	
31	1003078	4	CAPSCREW,HEX HD,1/2-13 X 3,GR 8,YEL ZN	
32	0058872	2	ANGLE,MTG,TAG AXLE AIR BAG TO FRM,RH	
33	0058928	2	ANGLE,MTG,TAG AXLE AIR BAG TO FRM,LH	
34	0044986	12	FASTENER,HUCK,.31,BLIND,BOM-R10-4WH	
35	0061005	1	BRACKET,MTG,TORQUE ROD,TAG AXLE,RH,	
36	0061007	1	BRACKET,MTG,TORQUE ROD,TAG AXLE,LH,	
37	1107879	16	CAPSCREW,HEX HD,5/8-11 X1 3/4,GR8,	
38	0929018	32	WASHER,FLAT,21/32 X 1 1/8 X 3/32,HDN,YEL	
39	0939827	16	NUT,HEX HD,5/8-11,GR 8,LOCK,CADMIUM WAX	
40	0065843	RE	BRACKET ASSY,MTG,ENG/TRANS TO FRAME,	
41	0017335	2	MUDFLAP,8.5 X 15	
42	1576172	6	SCREW,HEX,WASH,5/16X3/4,TYPE F,YEL ZN	
43	2001048	6	WASHER,FLAT,11/32 X 11/16 X 1/16,YEL	
44	0067129	1	TUBE ASSY,COMPARTMENT,ENGINE,LOWER,RH,	
45	0067413	1	TUBE ASSY,COMPARTMENT,ENG,LWR,LH, M4RE	
46	4337119	4	CAPSCREW HEX HD 5/16-18 X 2 GR 8	

**Models: M4RE
FRAME COMPONENTS
4404BM
To CSN**

Key	PartNumber	Qty	Description	Comment
47	3840881	4	WASHER,FLAT,TYPE A,NARROW,5/16,ZN3	
48	0829390	4	NUT,HEX HD,5/16-18,SER WASHER,YEL ZN	

Models: H4RE, M4RE
FRAME COMPONENTS
FRAME TO LUGGAGE BAY
40 FT

Key	PartNumber	Qty	Description	Comment
-----	------------	-----	-------------	---------

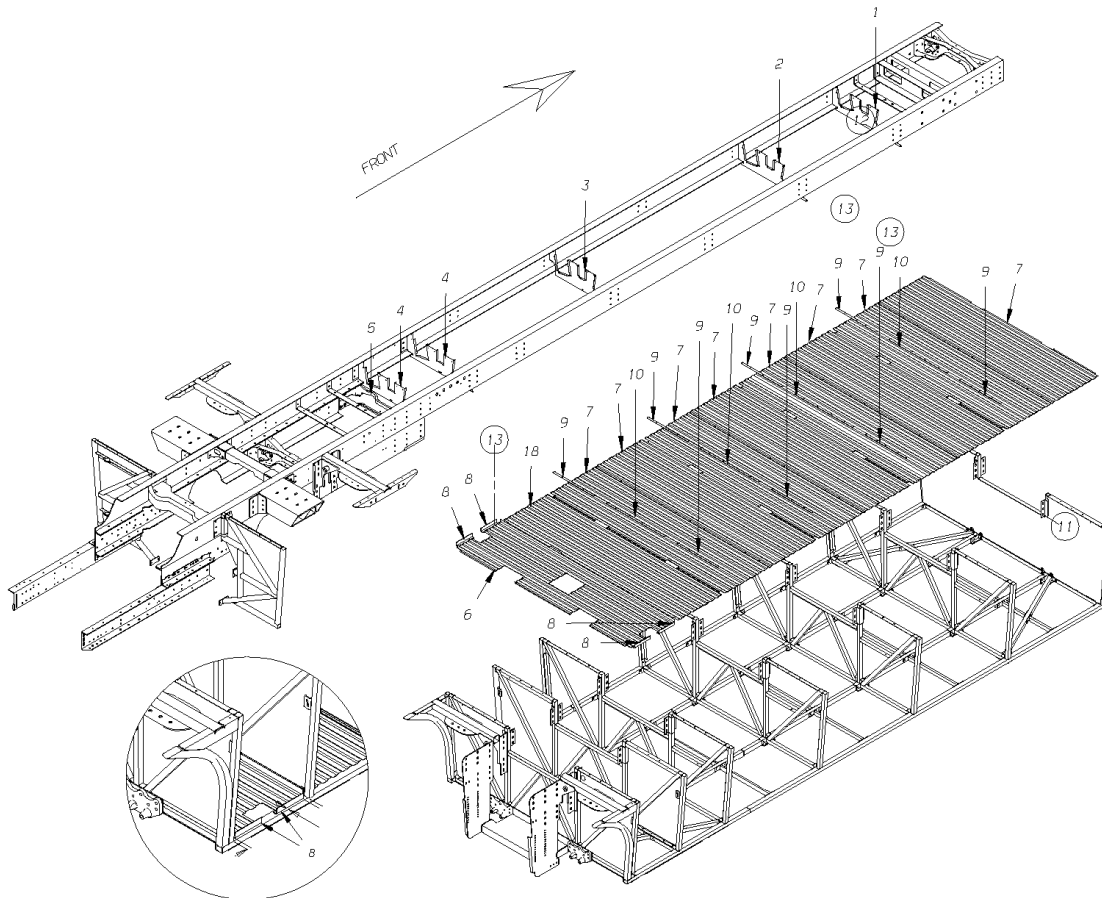


**Models: H4RE, M4RE
FRAME COMPONENTS
FRAME TO LUGGAGE BAY
40 FT**

Key	PartNumber	Qty	Description	Comment
1	0037043	1	PANEL,FRAME RAIL BAFFLE,LOWER NO 1, H4RE	
2	0039167	1	PANEL,FRAME RAIL BAFFLE,LOWER NO 2, H4RE	
3	0039168	1	PANEL,FRAME RAIL BAFFLE,LOWER NO 3, H4RE	
4	0037259	2	PANEL,FRAME RAIL BAFFLE,LOWER NO 4, H4RE	
5	0052723	1	CROSSMEMBER ASSY,UPPER TORQUE ROD,	
6	0059011	1	PANEL,CORRUGATED FLOOR,FUEL BAY, M/H4RE	
7	0035404	6	PANEL,CORR FLOOR,.047X24.26X88.61	
8	0058943	4	ANGLE,MTG,LOWER,FUEL TANK, H4/M4RE	
9	0059295	6	TRIM,CORRUGATED FLOOR,OUTBOARD, M4RE	
10	0059297	3	TRIM,CORRUGATED FLOOR,CENTER, M4RE	
11	1636943	96	PIN,FLG HEAD,HUCKSPIN,.50X2.22,HSP8	
12	1636968	96	COLLAR,HUCKSPIN,.50,HSCH-R16	
13	1854397	88	RIVET,BLIND,.25 DIA,.38 GRIP	
14	0803148	12	CAPSCREW,HEX HD,1/2-13 X 1 3/4,GR8,	
15	1003045	20	WASHER,FLAT,17/32 X 1 1/16 X 7/64,HDN,	
16	0850800	8	NUT,HEX HD,1/2-13,LOCKING,GR 8,CAD WAX	
17	0043434	3	ADHESIVE,BETAMATE 7177,600ML	
18	0059017	1	PANEL,CORRUGATED FLOOR,BAY 5, M/H4RE	
19	2002756	1	SEALANT,SYNTHETIC,PUTTY,SIKA SLUG	

Models: H4RE, M4RE
FRAME COMPONENTS
FRAME TO LUGGAGE BAY
45 FT

Key	PartNumber	Qty	Description	Comment
-----	------------	-----	-------------	---------

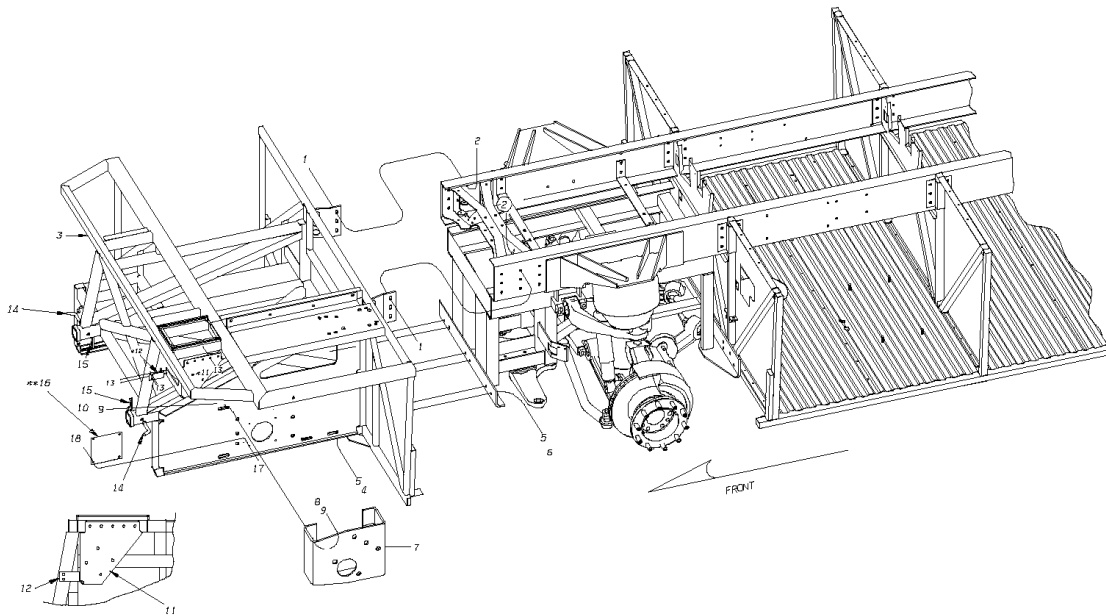


**Models: H4RE, M4RE
FRAME COMPONENTS
FRAME TO LUGGAGE BAY
45 FT**

Key	PartNumber	Qty	Description	Comment
1	0037043	1	PANEL,FRAME RAIL BAFFLE,LOWER NO 1, H4RE	
2	0039167	1	PANEL,FRAME RAIL BAFFLE,LOWER NO 2, H4RE	
3	0039168	1	PANEL,FRAME RAIL BAFFLE,LOWER NO 3, H4RE	
4	0037259	2	PANEL,FRAME RAIL BAFFLE,LOWER NO 4, H4RE	
5	0052723	1	CROSSMEMBER ASSY,UPPER TORQUE ROD,	
6	0059011	1	PANEL,CORRUGATED FLOOR,FUEL BAY, M/H4RE	
7	0035404	8	PANEL,CORR FLOOR,.047X24.26X88.61	
8	0058943	4	ANGLE,MTG,LOWER,FUEL TANK, H4/M4RE	
9	0059295	8	TRIM,CORRUGATED FLOOR,OUTBOARD, M4RE	
10	0059297	4	TRIM,CORRUGATED FLOOR,CENTER, M4RE	
11	1636943	10	PIN,FLG HEAD,HUCKSPIN,.50X2.22,HSP8	
12	1636968	10	COLLAR,HUCKSPIN,.50,HSCH-R16	
13	1854397	10	RIVET,BLIND,.25 DIA,.38 GRIP	
14	0803148	12	CAPSCREW,HEX HD,1/2-13 X 1 3/4,GR8,	
15	1003045	20	WASHER,FLAT,17/32 X 1 1/16 X 7/64,HDN,	
16	0850800	8	NUT,HEX HD,1/2-13,LOCKING,GR 8,CAD WAX	
17	0054290	3	ADHESIVE,SIKA-FLEX 252,20OZ. SAUSAGE,BLK	
18	0059017	1	PANEL,CORRUGATED FLOOR,BAY 5, M/H4RE	
19	2002756	1	SEALANT,SYNTHETIC,PUTTY,SIKA SLUG	

Models: **M4RE**
FRAME COMPONENTS
FRONT BASKET TO CHASSIS

Key	PartNumber	Qty	Description	Comment
-----	------------	-----	-------------	---------



**Models: M4RE
FRAME COMPONENTS
FRONT BASKET TO CHASSIS**

Key	PartNumber	Qty	Description	Comment
1	1636943	12	PIN,FLG HEAD,HUCKSPIN,.50X2.22,HSP8	
2	1636968	12	COLLAR,HUCKSPIN,.50,HSCH-R16	
3	0065455	1	SUBFRAME ASSY,COATED,FRONT STRUCTURE,	
4	1003078	6	CAPSCREW,HEX HD,1/2-13 X 3,GR 8,YEL ZN	
5	1003045	12	WASHER,FLAT,17/32 X 1 1/16 X 7/64,HDN,	
6	0850800	6	NUT,HEX HD,1/2-13,LOCKING,GR 8,CAD WAX	
7	0058035	1	BRACKET ASSY,MTG,STEERING GEAR, M4/H4	
8	0998450	6	CAPSCREEW, HEX HD, 3/4 -16 X 1 3/4, GR 8,	
9	1434695	12	WASHER,FLAT,3/4 X 1 1/8 X 7/64 HRD,YEL ZN	
10	1483817	6	NUT,HEX HD,3/4-16,PRVLG TORQUE,GR8,YEL	
11	0038977	1	BRACKET,MOUNTING,MITER BOX, H4RE	
12	0057769	1	ANGLE,MTG,MITER BOX BRACKET, M4RE	
13	0041170	9	FASTENER,HUCK,.31,BLIND,BOM-R10-6BFG	
14	3757176	2	PIN,PUL,REESE NO. 58067	
15	3757184	2	SPRING,COTTER PIN,REESE NO 58068	
16	0058515	1	PANEL,CLOSEOUT,STEERING GEAR PLATE,	
17	0659979	4	NUT,HEX,FLANGE SER,1/4-20,BLACK ZINC	
18	0824722	4	CAPSCREW,HEX FLG,1/4-20X .75,GR5,SER,BLK	
19	0058513	1	PANEL,CLOSEOUT,TOP,SPARE TIRE CMPT, M4RE	
20	6069389	18	SCREW,TEKS/3,PH,PN HD,10-24 X 3/4,SS	