

**Chassis****100 Fuel**

FUEL AND WATER SEPARATOR  
FILTER ASSEMBLY

*To CSN H4RE 02/22/04 M4RE 02/15/04* \_\_\_\_\_ 1

RACOR 120R

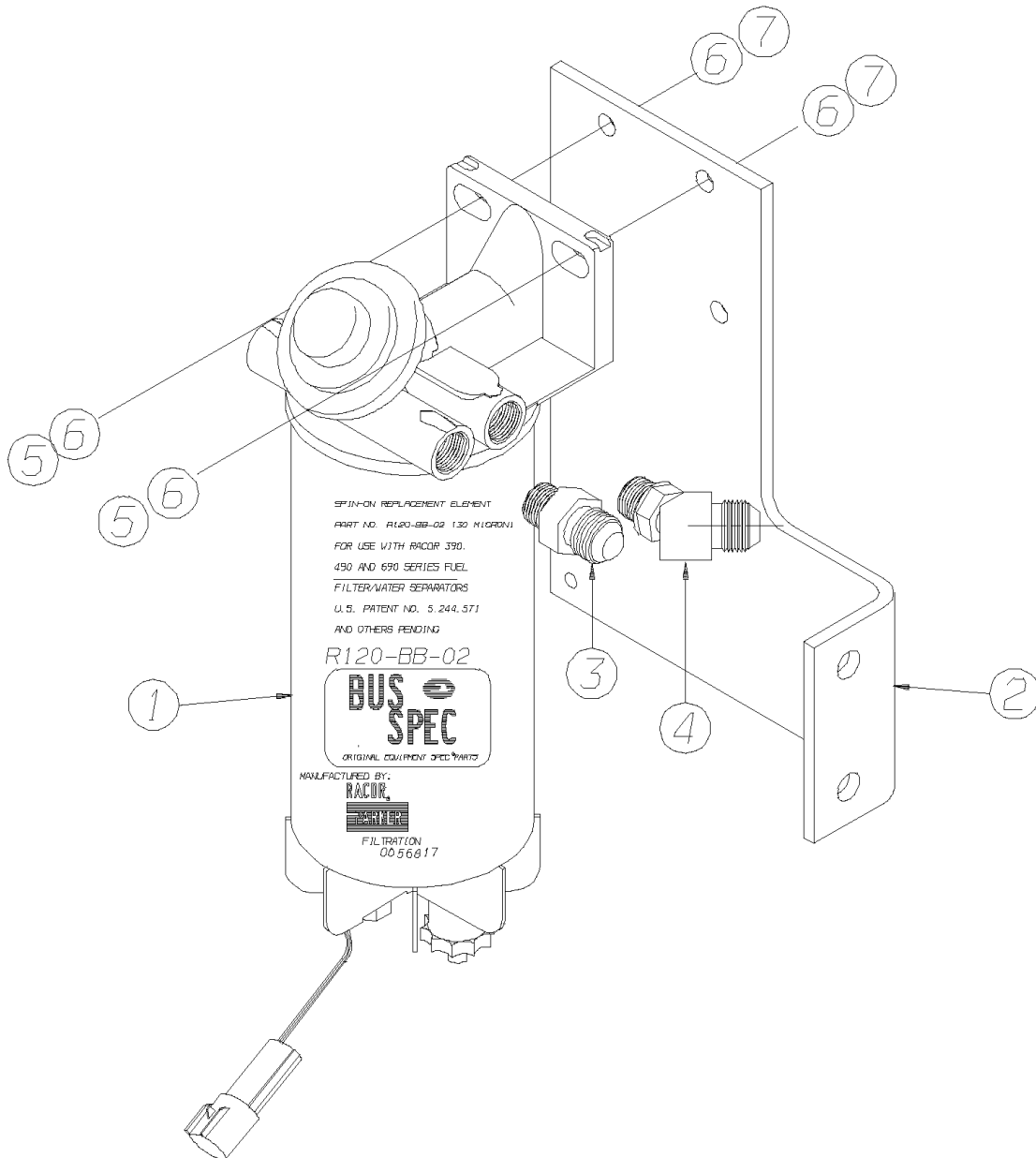
*From CSN 02/23/04* \_\_\_\_\_ 2

FUEL SYSTEM  
200 GALLON

\_\_\_\_\_ 3

**Models:** H4RE, M4RE  
**FUEL AND WATER SEPARATOR  
 FILTER ASSEMBLY**  
 To CSN H4RE 02/22/04 M4RE 02/15/04

Key	PartNumber	Qty	Description	Comment
-----	------------	-----	-------------	---------

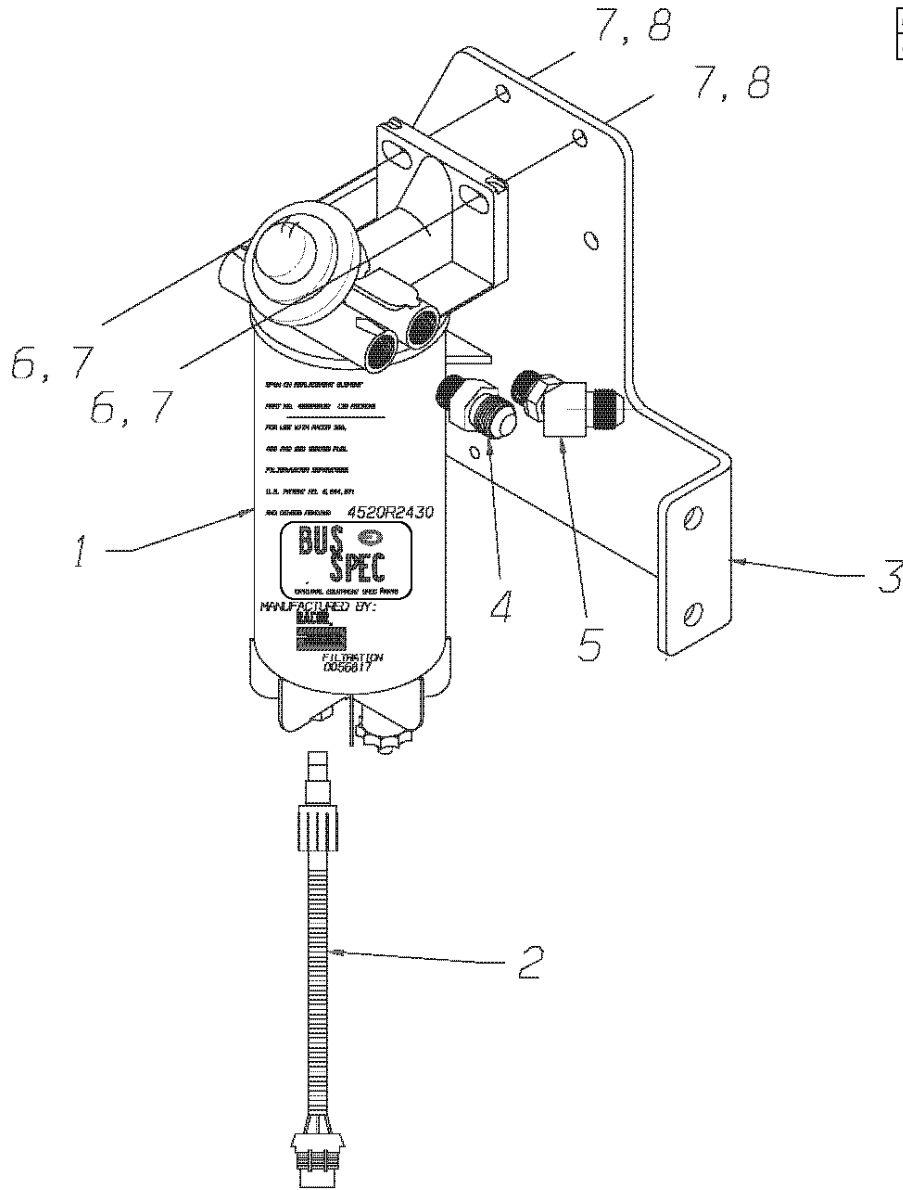


**Models: H4RE, M4RE  
 FUEL AND WATER SEPARATOR  
 FILTER ASSEMBLY  
 To CSN H4RE 02/22/04 M4RE 02/15/04**

Key	PartNumber	Qty	Description	Comment
	0056813		FILTER ASSY,FUEL/WATER SEP,120 GPH,.62	<i>CONSISTS OF THE FOLLOWING</i>
1	0056814		FILTER,FUEL/WATER SEP,RACOR 120R-BB-01	
2	0056812		BRACKET,MTG,FUEL/WATER SEP,RACOR 120	
3	1780394		CONNECTOR,STRAIGHT THREAD,O-RING 10-8	
4	0056810		ELBOW,45 DEG,O-RING,W/H 6802-10-8	
5	2050839	2	CAPSCREW,HEX HD,3/8-16X1 1/2,GR5,YEL	
6	1107085	4	WASHER,FLAT,13/32 X 13/16 X 3/32,HDN,BLK	
7	0826297	2	NUT,HEX HD,3/8-16 LOCK,YEL ZN DICH	

Models: **M4RE**  
**FUEL AND WATER SEPARATOR**  
**RACOR 120R**  
 BSN: **From CSN 02/23/04**

Key	PartNumber	Qty	Description	Comment
-----	------------	-----	-------------	---------



DR. 03/29/05 BY MR	0074381	REV
APP. BY	FRT	REV

© BLUE BIRD BODY COMPANY. ALL RIGHTS RESERVED

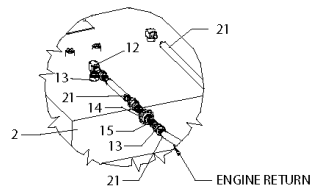


**Models:** M4RE  
**FUEL AND WATER SEPARATOR**  
**RACOR 120R**  
**BSN:** From CSN 02/23/04

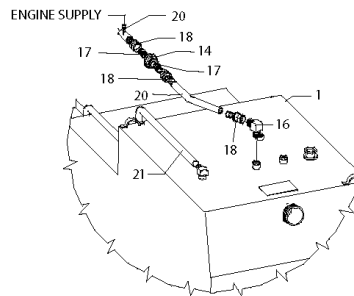
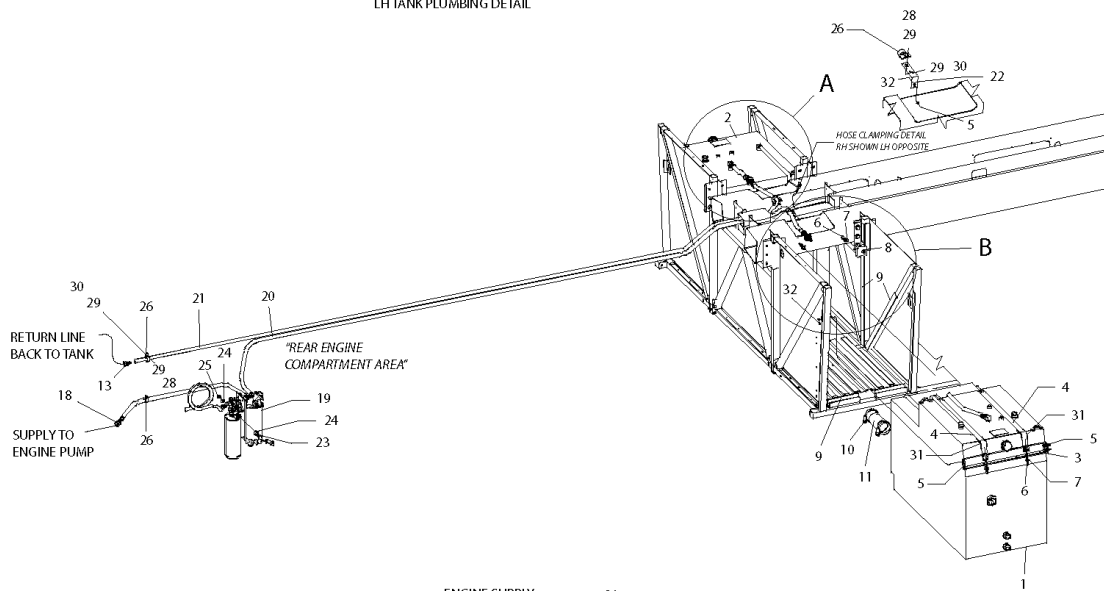
Key	PartNumber	Qty	Description	Comment
			FILTER ASSEMBLY, FUEL/WATER SEPARATOR,	
1	0056814		FILTER,FUEL/WATER SEP,RACOR 120R-BB-01	
NI	0056817		ELEMENT,CAT,C12,FUEL/WATER SEP,ELEMENT	
2	0066572		SENSOR,WATER,RACOR 30880	
3	0074329		BRACKET ASSY,MTG,FUEL/WATER SEP,HYD	
4	1780394		CONNECTOR,STRAIGHT THREAD,O-RING 10-8	
5	0056810		ELBOW,45 DEG,O-RING,W/H 6802-10-8	
6	2050839	2	CAPSCREW,HEX HD,3/8-16X1 1/2,GR5,YEL	
7	1107085	4	WASHER,FLAT,13/32 X 13/16 X 3/32,HDN,BLK	
8	0826297	2	NUT,HEX HD,3/8-16 LOCK,YEL ZN DICH	

Models: **M4RE  
FUEL SYSTEM  
200 GALLON**

Key	PartNumber	Qty	Description	Comment
-----	------------	-----	-------------	---------



DETAIL : A  
LH TANK PLUMBING DETAIL



DETAIL : B  
RH TANK PLUMBING DETAIL

**Models:** **M4RE**  
**FUEL SYSTEM**  
**200 GALLON**

Key	PartNumber	Qty	Description	Comment
1	0058189		TANK ASSY,FUEL,100 GALLON W/O	
2	0056836		TANK ASSY,FUEL,100 GALLON W/SENDER,	
	0086581		SENDER,FUEL TANK,100 GALLON,COMMERCIAL	
3	0058944	2	BRACKET,MTG,TIE DOWN,FUEL TANK, M4/H4RE	
4	0058941	4	STRAP ASSY,FUEL TANK,100 GALLON, M4/H4RE	
5	1339621	10	CAPSCREW,HEX FLG,3/8-16X1.25,GR5,YEL	
6	2001451	16	NUT,HEX HD,3/8-16,YELLOW DICHROMATE	
7	1078922	8	WASHER,FLAT,3/8 X 7/8 X 5/64,YEL ZN DICH	
8	0058940	4	PAD,SPACER,FUEL TANK TO FRAME RAIL,	
9	0046056	32	PAD,URETHANE,.125 X 1.5 X 28 IN, H4RE	
10	1905488	2	CLAMP,CONSTANT TORQUE,2 1/4 TO 3 1/8 DIA	
11	0062366		HOSE,FUEL SYS,2.38IDX5.50 LONG,H4/M4RE	
12	1002864		ELBOW,90 DEG,1/2 FL X 1/2 MPT WH 49X8X8	
13	1944107	4	SWIVEL,FEMALE,45FL,1/2HX1/2T,WH10008B	
14	1153600	2	COUPLING,ANCHOR,1/2 NPT	
15	1003102	2	ADAPTER,STRAIGHT,37 DEG FL,1/2MPT X 1/2T	
16	2026706		ELBOW,49X10,1/2MPT X 5/8 TUBE,FLARE	
17	2026672	2	CONNECTOR,MALE,45 FL,5/8T X 1/2MPT,48 X	
18	1912765	4	SWIVEL,FEMALE,45 FL,5/8H X 5/8T,10010B-410	
19	0056813		FILTER ASSY,FUEL/WATER SEP,120 GPH,.62	ENDING WITH CSN 02/16/04
19	0074381		FILTER ASSY,WATER,SEP,120 GPH,.62 LINE,	BEGIN WITH CSN 02/17/04
20	1313774	20	HOSE,.625 ID X .906 OD,WH H10110	
21	1797828	27	HOSE,.50 ID X .78 OD,W-H H00908	

**Models:** **M4RE**  
**FUEL SYSTEM**  
**200 GALLON**

Key	PartNumber	Qty	Description	Comment
22	1317247	2	BRACKET,ATCH,BRAKE LINE TO FRAME	
23	0520866	2	CAPSCREW,HEX HD,1/2-13 X 1 1/2,GR 5,ZINC	
24	1003045	4	WASHER,FLAT,17/32 X 1 1/16 X 7/64,HDN,	
25	0850800	2	NUT,HEX HD,1/2-13,LOCKING,GR 8,CAD WAX	
26	1602663	4	CLAMP,LOOP,1.00 INCH,INSULATED	
28	2000057	4	CAPSCREW,HEX HD,1/4-20 X 1,GR 5,YEL ZN	
29	1467000	8	WASHER,FLAT, .281 X.750X.078 HARDENED,BLK	
30	0659979	4	NUT,HEX,FLANGE SER,1/4-20,BLACK ZINC	
31	2007649	2	PAD,FUEL TANK STRAP	
32	1013689	10	NUT,HEX HD,3/8-16,WASHER SER,YEL ZN DICH	
33	0059847		PANEL,OVERFLOW,FUEL FILL DOOR,RH,ABS,	
34	0060266		PANEL,OVERFLOW,FUEL FILL DOOR,LH,ABS,	
35	0064834	5	SEAL,RUBBER,PUSH ON,BULB,CMPT DR,H4RE	
36	0060316	2	SPRING CLAMP,SELF-TIGHTENING,31/64-1/2	
37	1797802	AR	HOSE,.25 ID X .50 OD,W-H H00904	
38	1508613	2	GROMMET,RUBBER,ATLANTIC INDIA #2426	
39	0854612	4	CLAMP,LOOP,.500	
40	1094275	4	SCREW,1/4-14X3/4,HEX HD,SELFDRILL,	
41	2249357		TAPE,ELECTRICAL MARKING RED	
42	2249365		TAPE,ELECTRICAL MARKING,YELLOW	
44	0060431	4	FITTING,CONNECTOR,MALE,37 DEG,C5205X4X8	
45	0060430	4	FITTING,SWIVEL,FM,45FL,1/4HX1/4T,10004B	
46	0021926	2	CLAMP,LOOP,.625	



**Models:** **M4RE**  
**FUEL SYSTEM**  
**200 GALLON**

Key	PartNumber	Qty	Description	Comment
47	1354877		PLUG,PIPE,1/2 ALLEN HEAD	
37	1797802	3	HOSE,.25 ID X .50 OD,W-H H00904	<i>OPTION 1345-08</i>
43	2008274	2	ELBOW,STREET,90 DEG,1/2MPT X	<i>OPTION 1345-08</i>
44	0060431	4	FITTING,CONNECTOR,MALE,37 DEG,C5205X4X8	<i>OPTION 1345-08</i>
45	0060430	4	FITTING,SWIVEL,FM,45FL,1/4HX1/4T,10004B	<i>OPTION 1345-08</i>
47	1354877	2	PLUG,PIPE,1/2 ALLEN HEAD	<i>OPTION 1345-08</i>