

Body

310 Structure

CENTER

INSULATION, AC DUCT

1

FRONT

45' UNIT

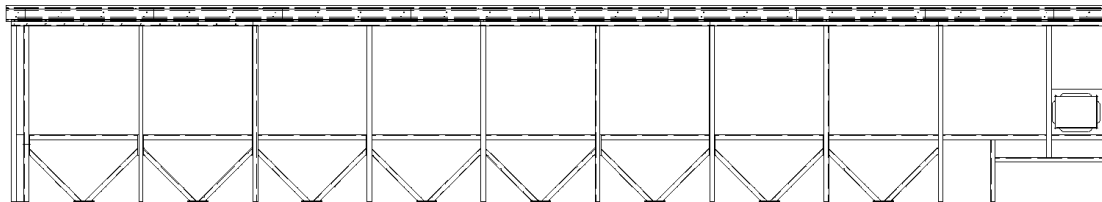
2

ROOF

3

Models: M4RE
CENTER
INSULATION, AC DUCT

Key	PartNumber	Qty	Description	Comment
-----	------------	-----	-------------	---------

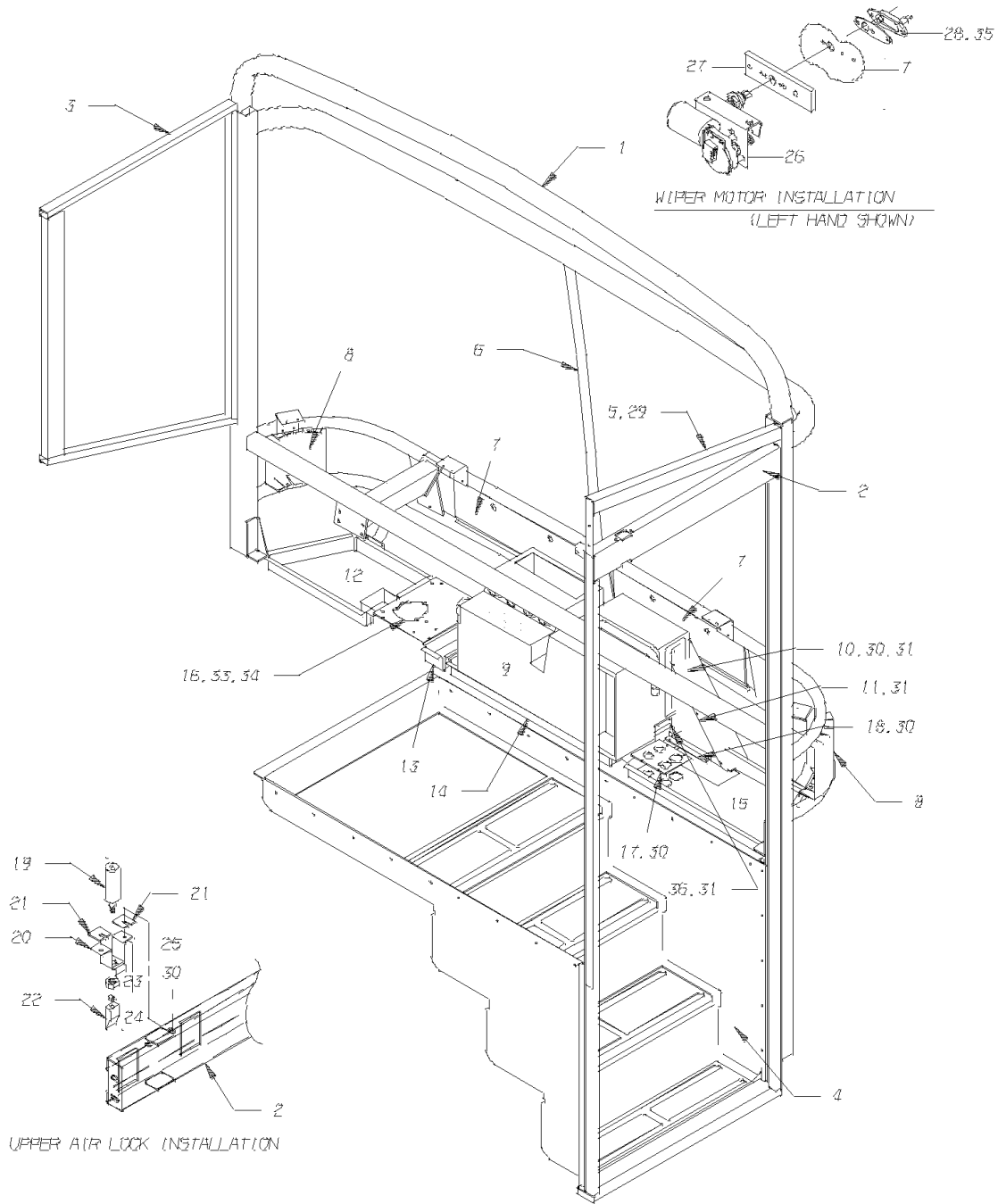


Models: **M4RE
CENTER
INSULATION, AC DUCT**

Key	PartNumber	Qty	Description	Comment
1	0059706	16	INSULATION,REFL,SGL SIDE ADHES,7 X 54,	
2	1244789	10	WASHER,INSL ANC,1 3/4 FLT/12GA SPDL K175	
3	3889292	10	SCREW,TEKS/3,PH,WAFER HD,10-24 X 1,ZN3	

Models: **M4RE
FRONT
45' UNIT**

Key	PartNumber	Qty	Description	Comment
-----	------------	-----	-------------	---------



Models: M4RE
FRONT
45' UNIT

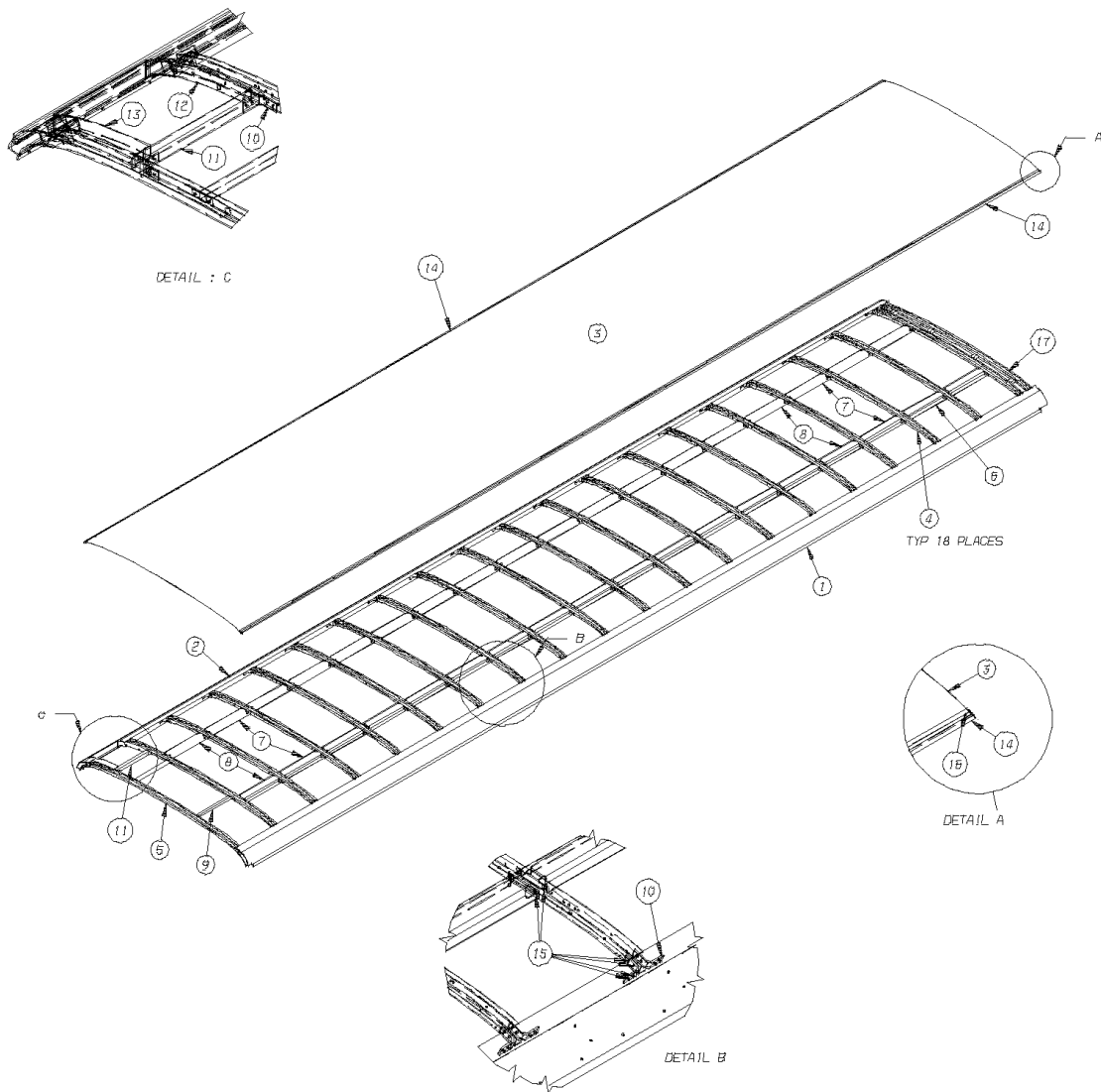
Key	PartNumber	Qty	Description	Comment
1	0052475		STRUCTURE ASSY,FRONT, 45M4RE	
2	0057824		FRAME ASSY,FRT ENT DOOR, M4RE	
3	0060069		FRAME ASSY,MTG,DRIVERS WINDOW, 45M4RE	
4				SEE GROUP 340 FOR STEPWELL
5	0060100		TUBE ASSY,ATCH,BODY TO FRT STRUC, TOP	
6	0060023		POST ASSY,WINDSHIELD, 45M4RE	
7	0059906	2	PANEL,SUPPORT FRONT FIBERGLASS, 45M4RE	
8	0059929	2	PLATE,BACKING,SIDE VIEW MIRROR, 45M4RE	
9	1948470		KIT,A/C PACKAGE,HEATER-DEFROST	
10	0062565		PANEL,FRESH AIR,DUCT, TOP,, H4RE/M4RE	
11	0062566	2	PANEL,FRESH AIR,DUCT,SIDE,, H4RE/M4RE	
12	0057370		PANEL ASSY,FLOOR,FRT STRUC,FRT LH, H4RE	
13	0057371		PANEL,FLOOR,FRT STRUC,FRT MID LH, H4RE	
14	0057367		PANEL,FLOOR,FRT STRUC,FRT MID, H4RE	
15	0057366		PANEL,FLOOR,FRT STRUC,FRT RH, H4RE	
16	0045361		VALVE ASSY,TREADLE AND PEDAL,ABS,6 CHN	
17	0042858		PLATE,HEATER HOSE PROTECTOR, H4RE	
18	0062567	2	BRACKET,MTG,FRESH AIR INLET,, H4RE/M4RE	
19	0029613		CYLINDER,AIR,PARKER,1.25 BORE,1.00	
20	0040777		BRACKET,MTG,AIR LOCK,FRONT ENT DOOR,	
21	0004485	2	SPACER,BRACKET,AIR LOCK,FRONT ENT DOOR	
22	0031899		PIN,LOCK, TOP,ENT DR,AVIONIC STRUC, H4RE	
23	1467000	4	WASHER,FLAT, .281 X.750X.078 HARDENED,BLK	

Models: M4RE
FRONT
45' UNIT

Key	PartNumber	Qty	Description	Comment
24	2001345	2	NUT,HEX HD,1/4-20,LOCKING,YELLOW	
25	0977132	2	CAPSCREW,HEX HD,1/4-20 X 3/4,GR 5,YEL	
26	0029935		WIPER MOTOR,62 DEG,ROAD SIDE,Q4,B4,W4	
26	0029936		WIPER MOTOR,62 DEG,CURB SIDE,Q4,B4.W4	
27	0020872	2	PLATE,BACKING,WIPER MOTOR	
28	1290493	2	PIVOT,PARLGM,ELECTRIC,23948-90,BLACK	
29	1693407	28	FASTENER,HUCK,.25,BLIND,MAGNABULB,MBP-	
30	1589522	10	SCREW,10-16 X 3/4,AB,PH1,PAN HD,YEL ZN	
31	2186401	16	SCREW,10-16 X 1/2,AB,PH1,PAN HD,YEL ZN	
32	1576172	8	SCREW,HEX,WASH,5/16X3/4,TYPE F,YEL ZN	
33	0559195	8	CAPSCREW,HEX HD,3/8-16 X 1,GR 8,YEL ZN	
34	2001451	8	NUT,HEX HD,3/8-16,YELLOW DICHROMATE	
35	0029997	4	SCREW,MACH,1/4-28X1,PH1,PAN HD,BLK ZN	
36	0062772		BRACKET,REINFORCE,FRESH AIR DUCT,	
NI	0032084		DOOR,ELECTRICAL ACCESS PANEL, Q4,B4,W4	
NI	1958628		SCREEN,AIR INTAKE,DEFROSTER,KYSOR A/C	
NI	0054312		CAP,FIBERGLASS,FRONT,M4RE	

Models: M4RE
ROOF

Key	PartNumber	Qty	Description	Comment
-----	------------	-----	-------------	---------



Models: **M4RE
ROOF**

Key	PartNumber	Qty	Description	Comment
1	0052719		EXTRUSION,ALUM,ROOF,RH	
2	0054480		EXTRUSION,ALUM,ROOF,LH	
3	0034652		COIL,ALUM,ROOF SKIN,.040X91.5X5052-H36	
4	0058077		BOW,ROOF STRUCTURE	
5	0036538		BOW,ROOF STRUCTURE,RR BOW	
6	0057044		STRINGER,ROOF SUPT,24.00 SECT	
7	0053522		STRINGER,ROOF SUPT,23.31 SECT	
8	0053523		STRINGER,ROOF SUPT 24.69 SECT	
9	0054190		STRINGER ASSY,ROOF SUPT,RR SECT	
10	0028231		EXTRUSION,ALUM,ATCH,ROOF STRUCTURE	
11	0054198		CHANNEL,EXHAUST,SUPT,CTR	
12	0054280		CHANNEL,EXHAUST SUPT,FRT	
13	0054271		CHANNEL ASSY,EXHAUST SUPT,RR	
14	0052631		EXTRUSION,ALUM,ROOF EXTR ATCH,462.75	
15	0007614		FASTENER,HUCK,.25 BLIND,MAGNA-LOK,MGLP-	
16	0043608		FASTENER,HUCK,.18,BLND,MAGNATITE,MTP-B6	
17	0058155		BOW ASSY,ROOF STRUCTURE	