

**Body**

**320 Interior**

CENTER

CEILING PANELS

\_\_\_\_\_ 1

INSIDE SIDE PANELS

40' UNIT

\_\_\_\_\_ 2

45' UNIT

\_\_\_\_\_ 3

LH SIDEWALL

45' UNIT

\_\_\_\_\_ 4

RH SIDEWALL

45' UNIT

\_\_\_\_\_ 5

RH SIDEWALL, WITH ADA LIFT

45' UNIT

\_\_\_\_\_ 6

FRONT

*With: STD*

\_\_\_\_\_ 7

DRIVER'S AREA

ARM CONSOLE

\_\_\_\_\_ 8

FRONT DASH

\_\_\_\_\_ 9

INSTALLATION

PAGE 1

\_\_\_\_\_ 10

PAGE 2

\_\_\_\_\_ 11

PAGE 3

\_\_\_\_\_ 12

PAGE 4

\_\_\_\_\_ 13

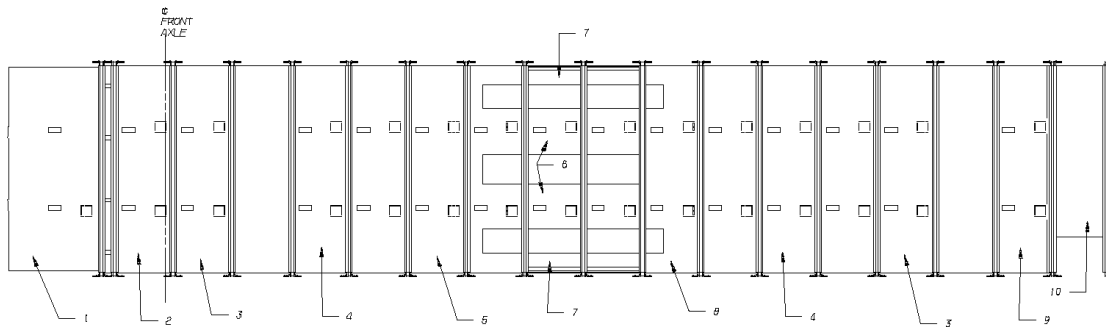
FRONT DASH INSTALLATION

PAGE 5

\_\_\_\_\_ 14

Models: **M4RE  
CENTER  
CEILING PANELS**

Key	PartNumber	Qty	Description	Comment
-----	------------	-----	-------------	---------

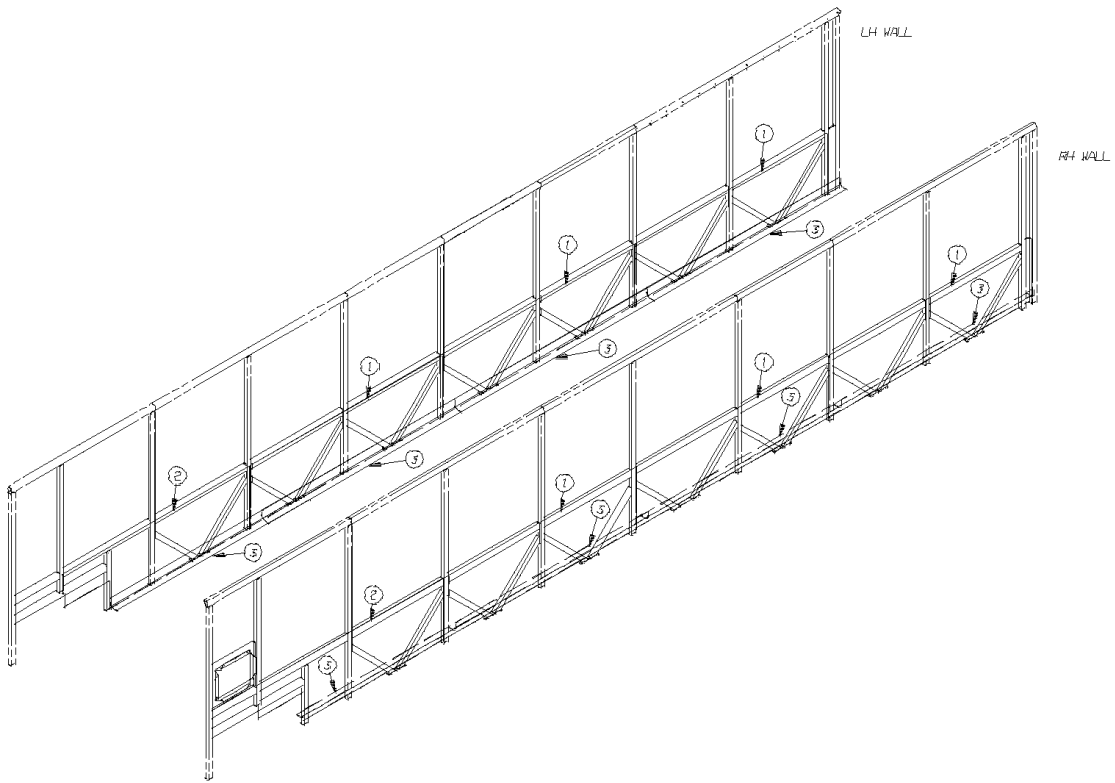


**Models:** M4RE  
 CENTER  
 CEILING PANELS

Key	PartNumber	Qty	Description	Comment
1	0062464		PANEL,ROOF,INSIDE,FRONT,SS,W/SPKR C/O,	
2	0062460		PANEL,ROOF,INSIDE,29.75,SS,W/SPKR C/O,	
3	0062463	2	PANEL,ROOF,INSIDE,EGRESS,SS,W/SPKR C/O,	
4	0062466	2	PANEL,ROOF,INSIDE,STD,SS,W/SPKR C/O,M4RE	STANDARD SS, WITH SPEAKER CUTOUT
5	0062461		PANEL,ROOF,INSIDE,AC,FRT,SS,W/SPKR C/O,	
6	0062458		PANEL,ROOF,INSIDE,AC,CTR,I/B,SS,W/SPKR	
7	0062459	2	PANEL,ROOF,INSIDE,AC,CTR,O/B,SS,W/SPKR	
8	0062462		PANEL,ROOF,INSIDE,AC,RR,SS,W/SPKR C/O,	
9	0062465		PANEL,ROOF,INSIDE,REAR,SS,W/SPKR C/O,	
10	0062457		PANEL,MOUNTING,ROOF PANEL,INSIDE,REAR,	
NI	2018208		TAPE, FOAM, GREY, 1/8 X 3/4 X 100 FT	
NI	3747037		SCREW,SM,PH,PN/HD,NO 10 X 1/2,TYPE A,18	

Models: **M4RE  
CENTER  
INSIDE SIDE PANELS  
40' UNIT**

Key	PartNumber	Qty	Description	Comment
-----	------------	-----	-------------	---------

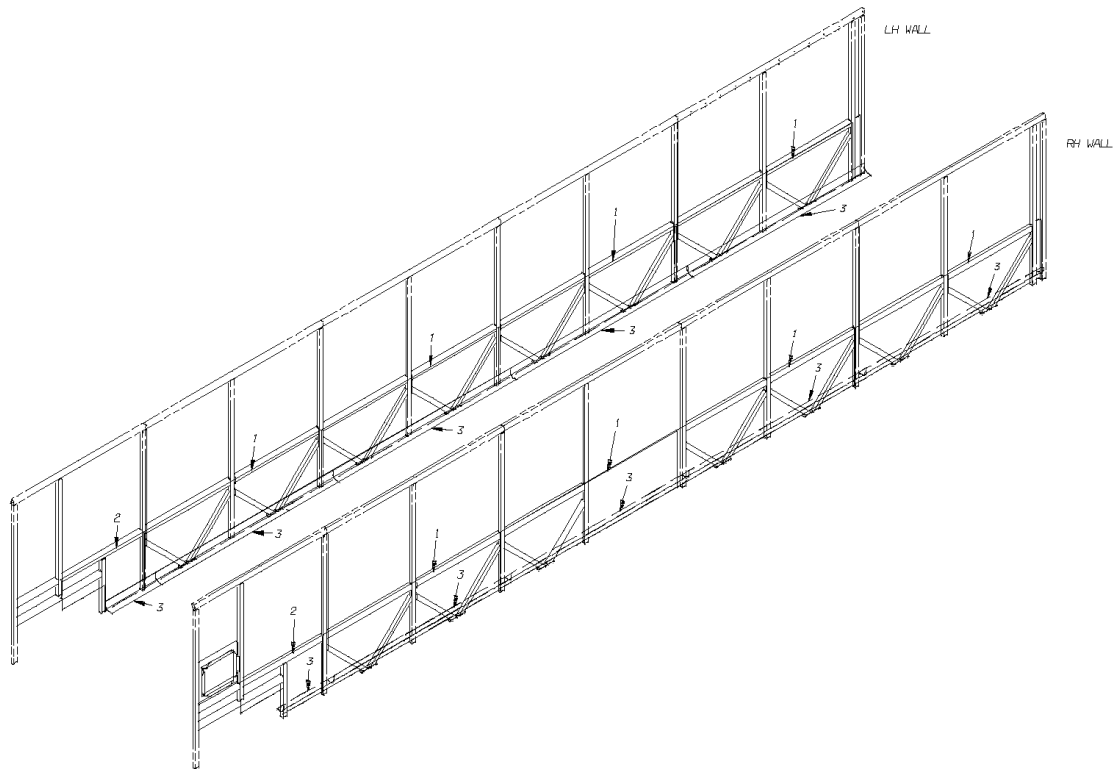


**Models:** **M4RE**  
**CENTER**  
**INSIDE SIDE PANELS**  
**40' UNIT**

Key	PartNumber	Qty	Description	Comment
1	0059239	6	PANEL,I/S SIDE, 45M4RE	
2	0062698	2	PANEL,I/S,SIDE,REAR, 40M4RE	
3	1562115	8	MOLDING,COVE,FLR COV SUPT,2 IN RAD., QB	
NI	0054290		ADHESIVE,SIKA-FLEX 252,200Z. SAUSAGE,BLK	

Models: **M4RE  
CENTER  
INSIDE SIDE PANELS  
45' UNIT**

Key	PartNumber	Qty	Description	Comment
-----	------------	-----	-------------	---------

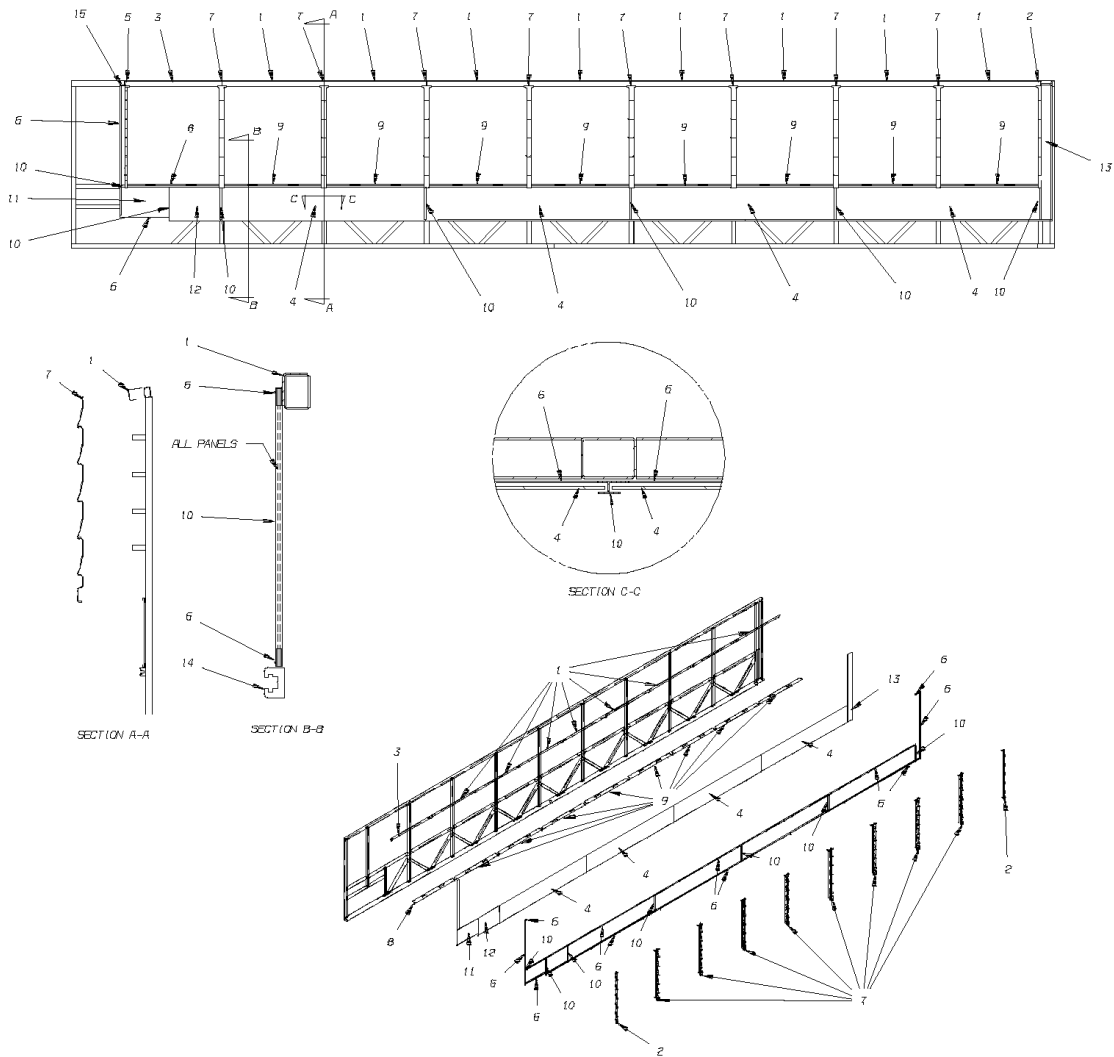


**Models:** M4RE  
CENTER  
INSIDE SIDE PANELS  
45' UNIT

Key	PartNumber	Qty	Description	Comment
1	0059239	8	PANEL,I/S SIDE, 45M4RE	
2	0059243	2	PANEL,I/S SIDE,REAR, 45M4RE	
3	1562115	9	MOLDING,COVE,FLR COV SUPT,2 IN RAD., QB	
NI	0054290		ADHESIVE,SIKA-FLEX 252,200Z. SAUSAGE,BLK	

Models: **M4RE  
CENTER  
LH SIDEWALL  
45' UNIT**

Key	PartNumber	Qty	Description	Comment
-----	------------	-----	-------------	---------



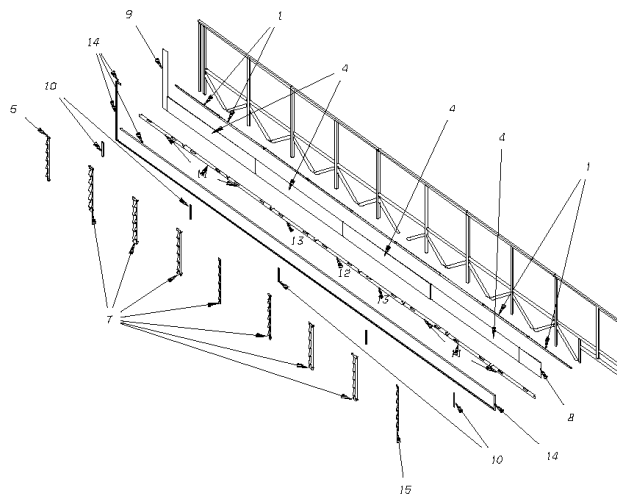
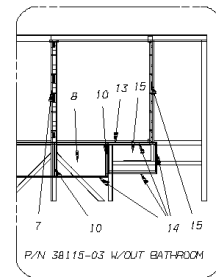
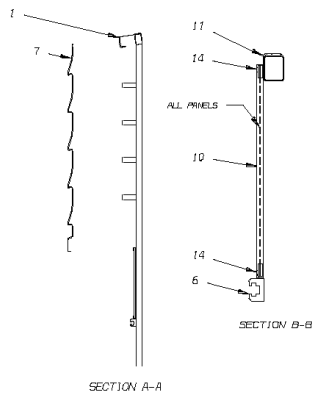
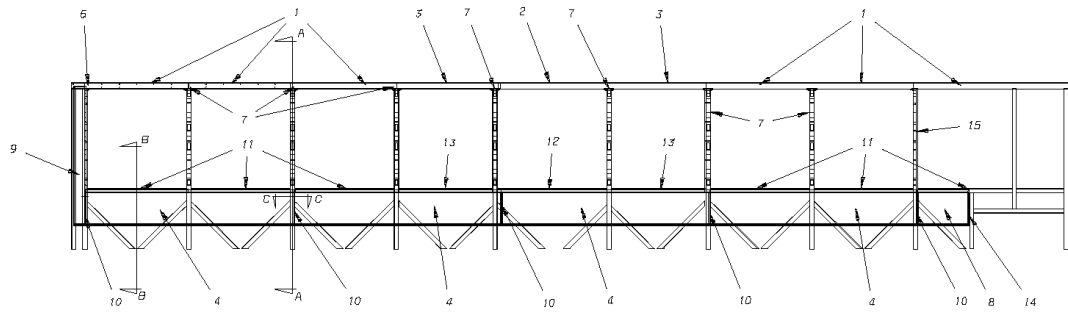


**Models:** **M4RE**  
**CENTER**  
**LH SIDEWALL**  
**45' UNIT**

Key	PartNumber	Qty	Description	Comment
1	0052981	8	PANEL,CLOSEOUT,UPR,GRAY,48,M4RE	
2	0051540		PANEL,SIDEWALL,INT,UPR,END,RR,GRAY,M4RE	
3	0052983		PANEL,CLOSEOUT,UPR,GRAY,45.53,M4RE	
4	0052968	4	PANEL ASSY,INT SIDEWALL,SALISBURY,16 X	
5	0051539		PANEL,SIDEWALL,INT,UPR,END,FRT,GRAY,M4RE	
6	0058209	10	EXTRUSION,LOWER,IS/S PNL,SOFT INT,DARK	
7	0051538	8	PANEL,SIDEWALL,INT,UPR,CTR,GRAY,M4RE	
8	0053070		PANEL,CLOSEOUT,LWR,GRAY,45.53,M4RE	
9	0053067	8	PANEL,CLOSEOUT,LWR,GRAY,48,M4RE	
10	0058207		EXTRUSION,CENTER,IS/S PNL,SOFT INT,DARK	
11	0053509		PANEL ASSY,INT SIDEWALL,SALISBURY,14.25 X	
12	0053848		PANEL ASSY,INT SIDEWALL,SALISBURY,16.12 X	
13	0052973		PANEL,ASSY,INT SIDEWALL,SALISBURY,FRT,RH,	
14	3982857		TRACK,SEAT,WALL-MOUNTED, QB	

Models: **M4RE  
CENTER  
RH SIDEWALL  
45' UNIT**

Key	PartNumber	Qty	Description	Comment
-----	------------	-----	-------------	---------

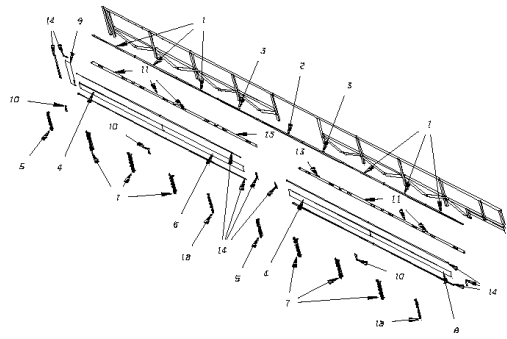
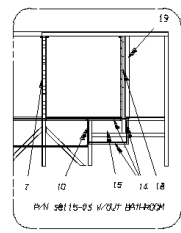
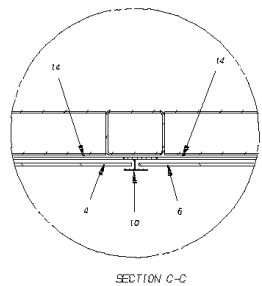
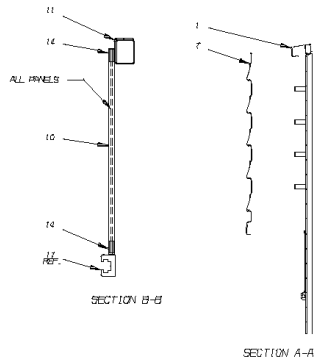
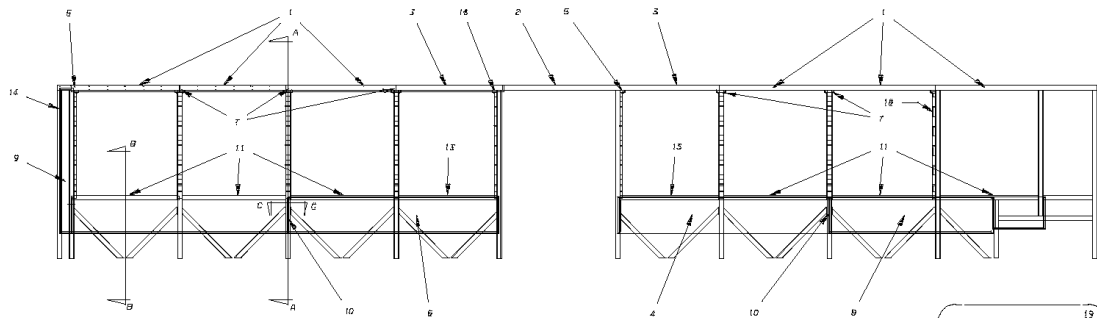


**Models:** M4RE  
 CENTER  
 RH SIDEWALL  
 45' UNIT

Key	PartNumber	Qty	Description	Comment
1	0052981	6	PANEL,CLOSEOUT,UPR,GRAY,48,M4RE	STANDARD
1	0053509	6	PANEL ASSY,INT SIDEWALL,SALISBURY,14.25 X	FEATURE 38115-03
2	0052982		PANEL,CLOSEOUT,UPR,GRAY,51.75,M4RE	
3	0052983	2	PANEL,CLOSEOUT,UPR,GRAY,45.53,M4RE	
4	0052968	4	PANEL ASSY,INT SIDEWALL,SALISBURY,16 X	
5	0051539		PANEL,SIDEWALL,INT,UPR,END,FRT,GRAY,M4RE	
6	3982857		TRACK,SEAT,WALL-MOUNTED, QB	
7	0051538		PANEL,SIDEWALL,INT,UPR,CTR,GRAY,M4RE	
8	0053848		PANEL ASSY,INT SIDEWALL,SALISBURY,16.12 X	
9	0052973		PANEL,ASSY,INT SIDEWALL,SALISBURY,FRT,RH,	
10	0058207		EXTRUSION,CENTER,IS/S PNL,SOFT INT,DARK	
11	0053067	6	PANEL,CLOSEOUT,LWR,GRAY,48,M4RE	
12	0053068		PANEL,CLOSEOUT,LWR,GRAY,50.75,M4RE	
13	0053070	2	PANEL,CLOSEOUT,LWR,GRAY,45.53,M4RE	
14	0058209	9	EXTRUSION,LOWER,IS/S PNL,SOFT INT,DARK	
15	0051540		PANEL,SIDEWALL,INT,UPR,END,RR,GRAY,M4RE	

Models: **M4RE  
CENTER  
RH SIDEWALL, WITH ADA LIFT  
45' UNIT**

Key	PartNumber	Qty	Description	Comment
-----	------------	-----	-------------	---------

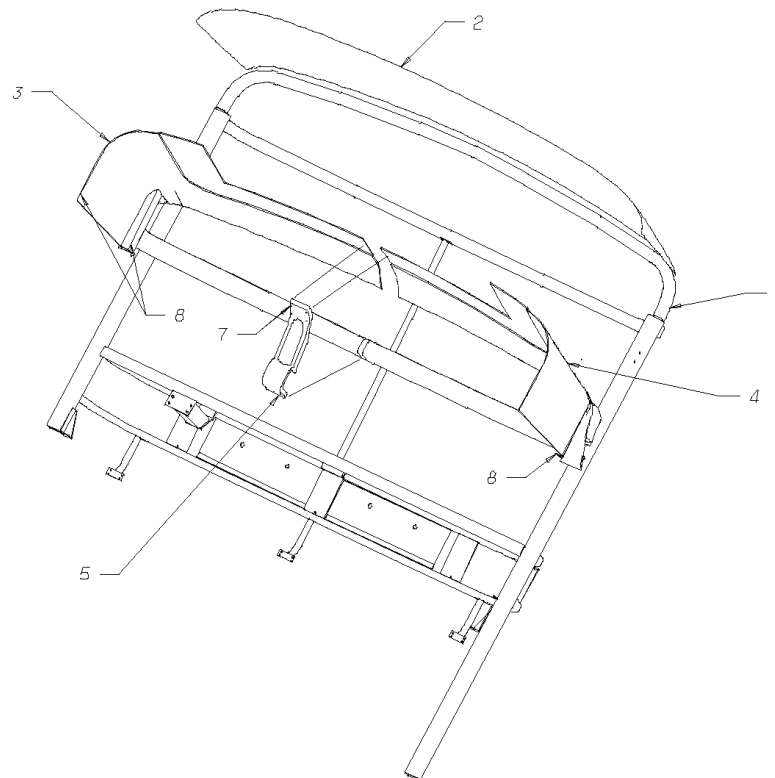
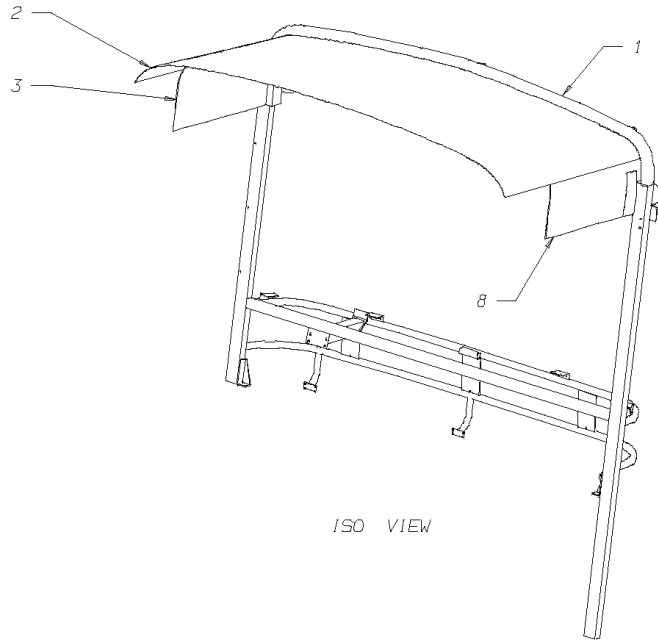


**Models:** **M4RE  
CENTER  
RH SIDEWALL, WITH ADA LIFT  
45' UNIT**

Key	PartNumber	Qty	Description	Comment
1	0052981	6	PANEL,CLOSEOUT,UPR,GRAY,48,M4RE	
2	0052982		PANEL,CLOSEOUT,UPR,GRAY,51.75,M4RE	
3	0052983		PANEL,CLOSEOUT,UPR,GRAY,45.53,M4RE	
4	0052968	2	PANEL ASSY,INT SIDEWALL,SALISBURY,16 X	
5	0051539	2	PANEL,SIDEWALL,INT,UPR,END,FRT,GRAY,M4RE	
6	0052969		PANEL ASSY,INT SIDEWALL,SALISBURY,16 X	
7	0051538	5	PANEL,SIDEWALL,INT,UPR,CTR,GRAY,M4RE	
8	0052970		PANEL ASSY,INT SIDEWALL,SALISBURY,16 X	
9	0052973		PANEL,ASSY,INT SIDEWALL,SALISBURY,FRT,RH,	
10	0058207		EXTRUSION,CENTER,IS/S PNL,SOFT INT,DARK	
11	0053067	6	PANEL,CLOSEOUT,LWR,GRAY,48,M4RE	
13	0053070	2	PANEL,CLOSEOUT,LWR,GRAY,45.53,M4RE	
14	0058209	10	EXTRUSION,LOWER,IS/S PNL,SOFT INT,DARK	STANDARD )
14	3982857		TRACK,SEAT,WALL-MOUNTED, QB	FEATURE 38115-03
15	0053509		PANEL ASSY,INT SIDEWALL,SALISBURY,14.25 X	FEATURE 38115-03
17	3982857		TRACK,SEAT,WALL-MOUNTED, QB	
18	0051540		PANEL,SIDEWALL,INT,UPR,END,RR,GRAY,M4RE	
19	0054539		PANEL ASSY,INT SIDEWALL,SALISBURY,RR,	

Models: M4RE  
FRONT  
With: STD

Key	PartNumber	Qty	Description	Comment
-----	------------	-----	-------------	---------

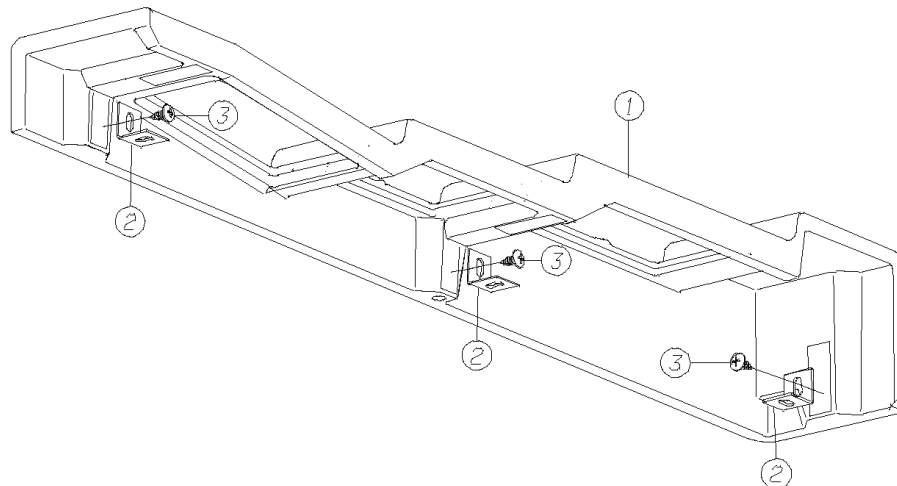
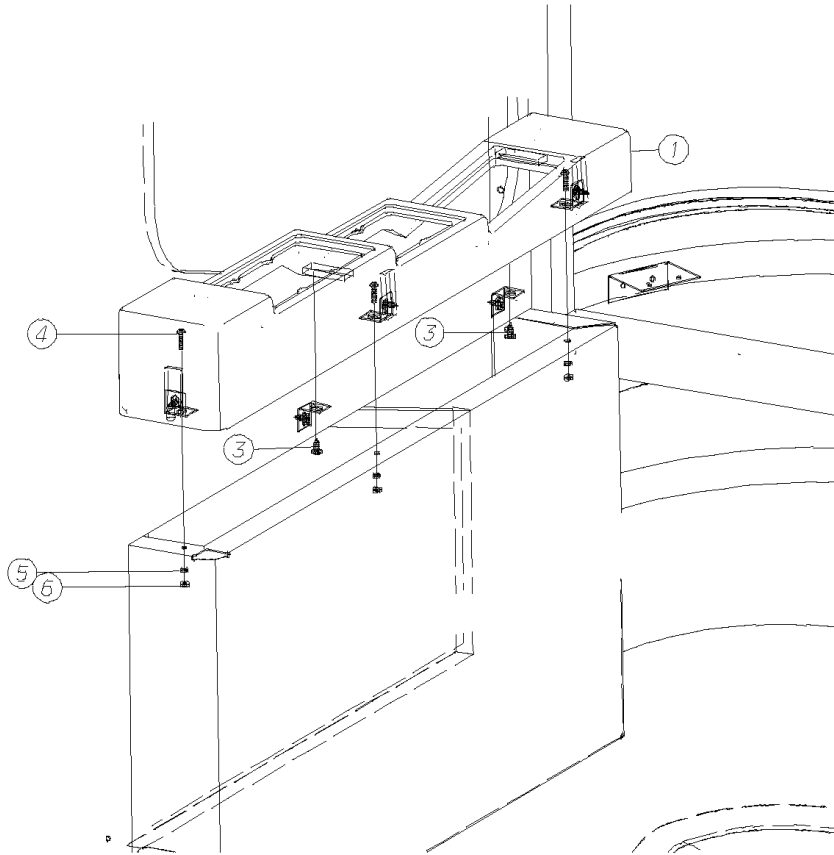


**Models:** M4RE  
**With:** FRONT  
 STD

Key	PartNumber	Qty	Description	Comment
1	0027502		STRUCTURE ASSY,FRONT, Q4RE	
2	0031014		PANEL,ROOF,INSIDE,FRONT, Q4RE	
3	0059006		CLOSEOUT,O/H,F/GLS,LH,QUARTZ GRAY,M4RE	
4	0059008		CLOSEOUT,OH,F/GLS,RH,STD,QUARTZ GRAY,	
5	0059009		CLOSEOUT,OH,F/GLS,CTR,QUARTZ GRAY,M4RE	
6	3840600	7	SCREW,SM,PH,OVAL HD,6-20 X 1 1/2,TYP AB,	
7	2264562	32	RIVET,BLIND,STEEL,3/16 DIA,W/ST M,188-250	
8	3840527	3	SCREW,MACH,PH,RND HD,10-24 X 1,ZN3	
NI	4553301		FOAM,ENSULITE,IV-II,.125"X54"X50',BLK,	
NI	2016681		ADHESIVE,CONTACT,CLEAR,C2466-55G-CL	

Models: **M4RE  
FRONT  
DRIVER'S AREA  
ARM CONSOLE**

Key	PartNumber	Qty	Description	Comment
-----	------------	-----	-------------	---------



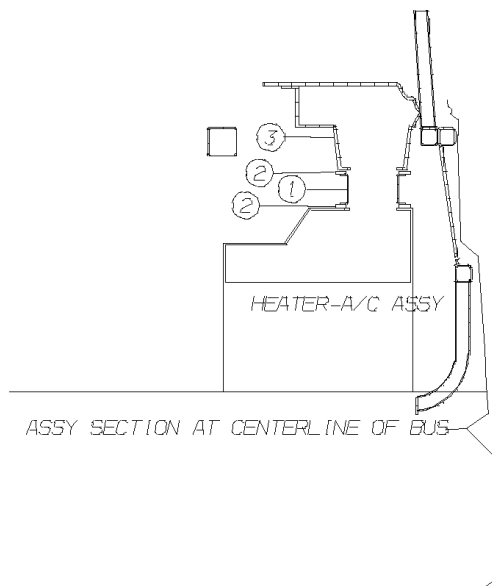
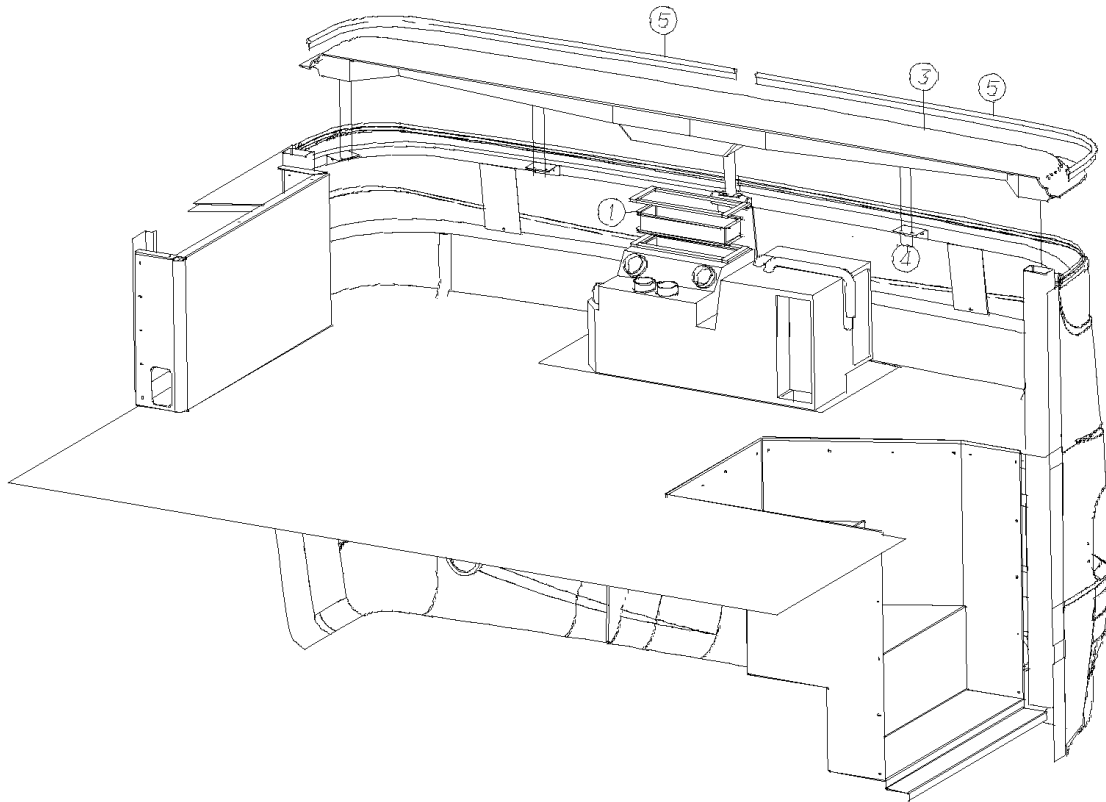


**Models:** **M4RE**  
**FRONT**  
**DRIVER'S AREA**  
**ARM CONSOLE**

Key	PartNumber	Qty	Description	Comment
1	0046986		PANEL,DASH,CONSOLE,DRIVERS,QUARTZ	
2	0043740	5	ANGLE,MTG,DRIVERS SIDE CONSOLE, H4RE	
3	2000636	7	SCREW,1/4-14 X 1/2,AB,PH1,PAN HD,YEL	
4	1315100	3	SCREW,MACH,10-32X1,PHI,PAN HD,BLK	
5	2001162	3	LOCKWASHER,SPLIT RING, 3/16,MED,YEL ZN	
6	2001287	3	NUT,HEX HD,10-32,YEL ZN DICH	

Models: M4RE  
FRONT DASH

Key	PartNumber	Qty	Description	Comment
-----	------------	-----	-------------	---------




**Models: M4RE  
FRONT DASH**

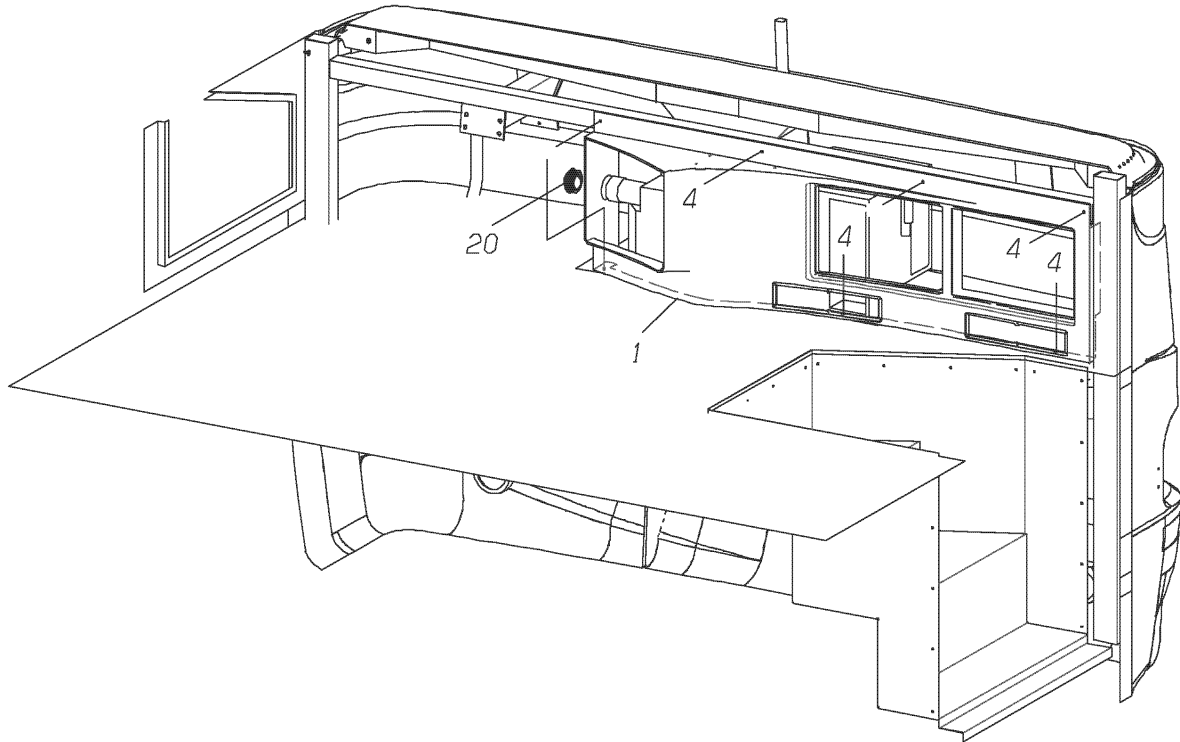
Key	PartNumber	Qty	Description	Comment
1	0045268		PANEL ASSY,CLOSEOUT,A/C TO DEF PLENUM,	
2	0830059		TAPE,FOAM,1/2X3/4,CLSD CELL NEOPRENE ADH	
3	0053059		PLENUM,DEFROSTER,FRONT DASH,QUARTZ,	
4	1589522	8	SCREW,10-16 X 3/4,AB,PH1,PAN HD,YEL ZN	
5	0048456	2	TRIM,WELT,FRONT DASH,QUARTZ GRAY	

Models: **M4RE**  
**FRONT DASH**  
**INSTALLATION**  
**PAGE 1**

Key	PartNumber	Qty	Description	Comment
-----	------------	-----	-------------	---------

DR. 09/26/02 BY TFM	00476121	A	
APP. BY FRT		REV	

© BLUE BIRD BODY COMPANY. ALL RIGHTS RESERVED




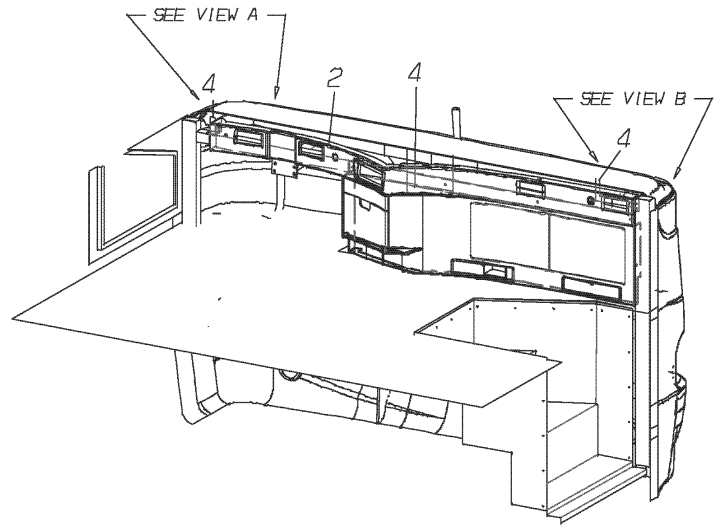
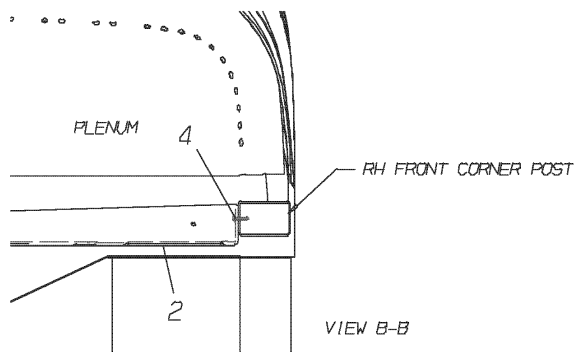
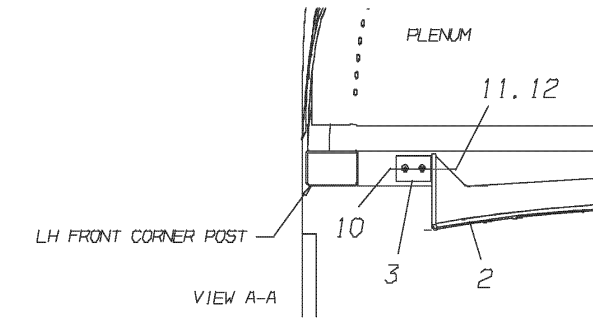
**Models:** M4RE  
FRONT DASH  
INSTALLATION  
PAGE 1

Key	PartNumber	Qty	Description	Comment
1	0053052		PANEL ASSY,DASH,RH,LOWER,QUARTZ GRAY,	
4	1589522		SCREW,10-16 X 3/4,AB,PH1,PAN HD,YEL ZN	
20	0044770		LOUVER ASSY,BALL,SINGLE VANE,2.5 ID HOSE,	

**Models: M4RE  
FRONT DASH  
INSTALLATION  
PAGE 2**

Key	PartNumber	Qty	Description	Comment
-----	------------	-----	-------------	---------

DR. 09/28/02	BY 1FM	00476122	A	 <small>© BLUE BIRD BODY COMPANY. ALL RIGHTS RESERVED</small>
APP.	BY	FST	REV	

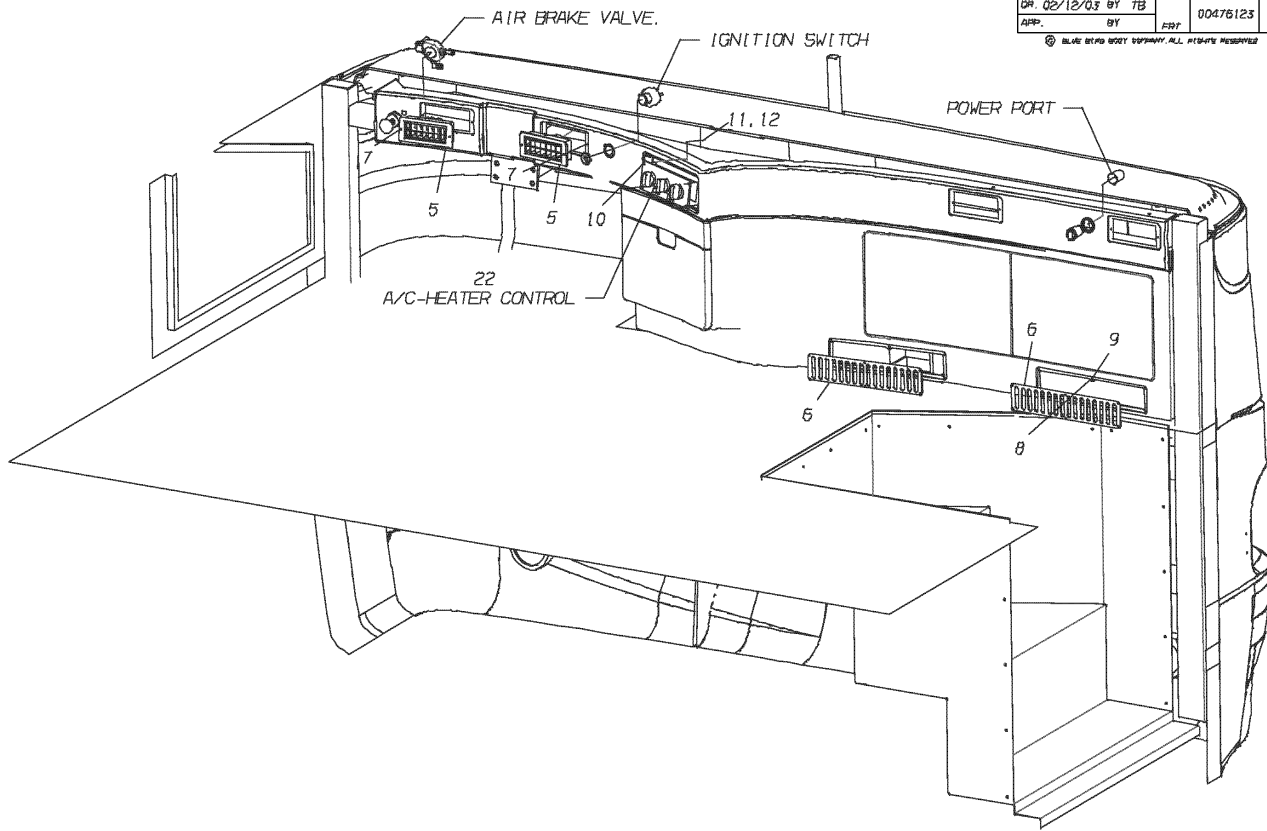


**Models: M4RE  
FRONT DASH  
INSTALLATION  
PAGE 2**

Key	PartNumber	Qty	Description	Comment
2	0053054		PANEL,DASH,BELTLINE,QUARTZ, M4RE	
3	0040495		ANGLE,MTG,DASH,BELTLINE PANEL, H4RE	
4	1589522		SCREW,10-16 X 3/4,AB,PH1,PAN HD,YEL ZN	
10	1315100		SCREW,MACH,10-32X1,PHI,PAN HD,BLK	
11	2001162		LOCKWASHER,SPLIT RING, 3/16,MED,YEL ZN	
12	2001287		NUT,HEX HD,10-32,YEL ZN DICH	

Models: **M4RE**  
**FRONT DASH**  
**INSTALLATION**  
**PAGE 3**

Key	PartNumber	Qty	Description	Comment
-----	------------	-----	-------------	---------



DR. 02/12/03 BY TB	00476123	C
APP. BY	REV	



© BLUE BIRD BODY COMPANY. ALL RIGHTS RESERVED

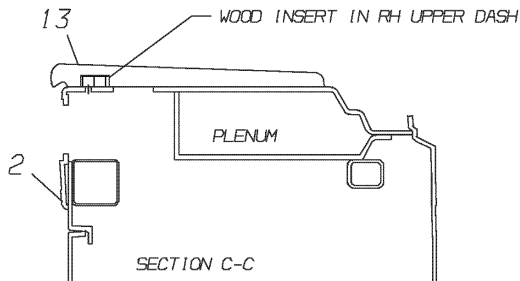


**Models: M4RE  
FRONT DASH  
INSTALLATION  
PAGE 3**

Key	PartNumber	Qty	Description	Comment
5	3733003		LOUVRE,RECTANGULAR,ADJUSTABLE	
6	0044776		GRILLE,AIR RETURN,2.75 X 12,H4RE	
7	3750734		SCREW,SM,PH,PN/HD,6-20 X 3/4,TYPE AB,A3R	
8	1401595		SCREW,MACH,4-40 X 1/2, PH1, RD HD, BLK ZN	
9	1927003		NUT,HEX HD,4-40,YEL ZN	
10	1315100		SCREW,MACH,10-32X1,PHI,PAN HD,BLK	
11	2001162		LOCKWASHER,SPLIT RING, 3/16,MED,YEL ZN	
12	2001287		NUT,HEX HD,10-32,YEL ZN DICH	
22	4635736		PANEL,CONTROL,A/C,KYSOR WESTRAN 1998WL	


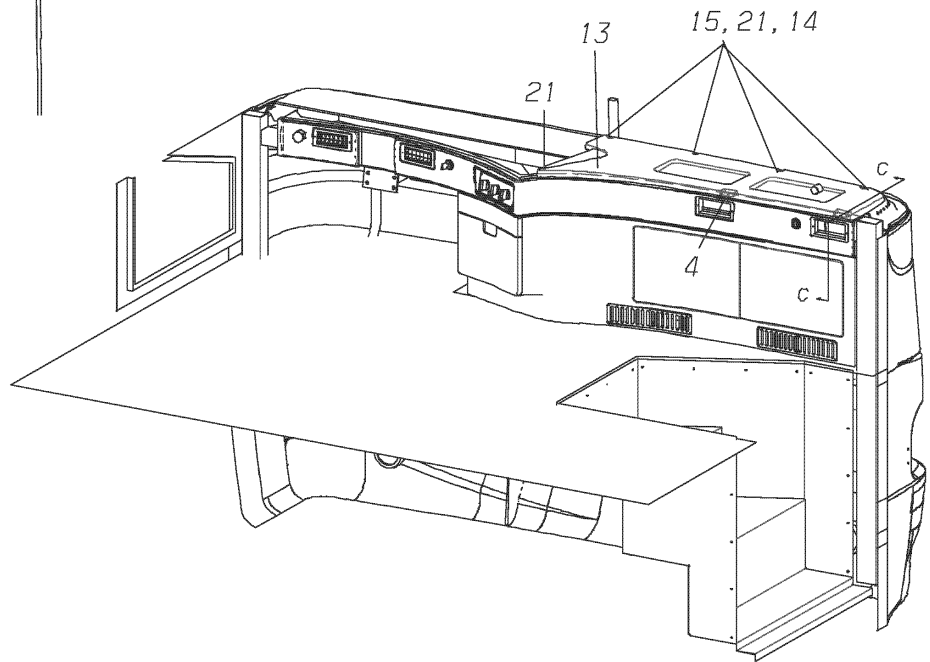
Models: **M4RE**  
**FRONT DASH**  
**INSTALLATION**  
**PAGE 4**

Key	PartNumber	Qty	Description	Comment
-----	------------	-----	-------------	---------



DR. 09/27/02 BY TFM	00476124	A
APP. BY	FR	REV

© BLUE BIRD BODY COMPANY. ALL RIGHTS RESERVED





**Models: M4RE  
FRONT DASH  
INSTALLATION  
PAGE 4**

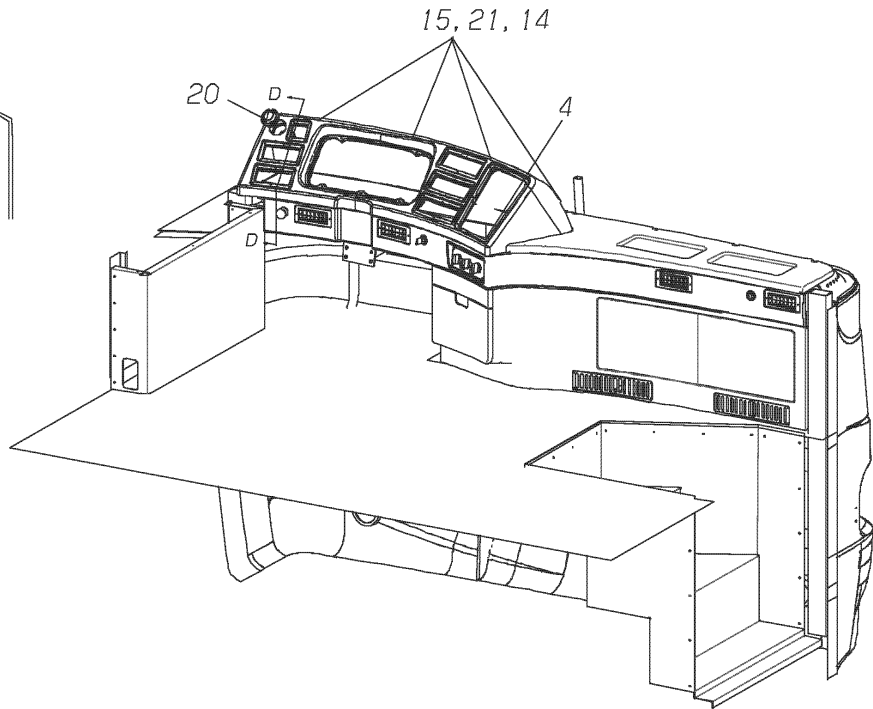
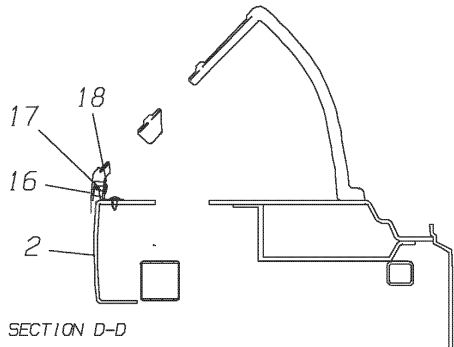
Key	PartNumber	Qty	Description	Comment
2	0053054		PANEL,DASH,BELTLINE,QUARTZ, M4RE	
4	1589522		SCREW,10-16 X 3/4,AB,PH1,PAN HD,YEL ZN	
13	0046985		PANEL,DASH,RH UPPER,QUARTZ GRAY, H4RE	
14	0043919		WASHER,SCREW COVER,12/12-FB	
15	0053051		COVER,SCREWHEAD,NO 12/12-173 LA. GREY	
21	2000586		SCREW,10-16X1-1/4,AB,PH1,PAN HD,YEL ZN	

Models: **M4RE**  
**FRONT DASH INSTALLATION**  
**PAGE 5**

Key	PartNumber	Qty	Description	Comment
-----	------------	-----	-------------	---------

DR. 03/27/02 BY TFM	00476125	A	
APP. BY	PRT	REV.	

© BLUE BIRD BODY COMPANY. ALL RIGHTS RESERVED



**Models: M4RE  
FRONT DASH INSTALLATION  
PAGE 5**

Key	PartNumber	Qty	Description	Comment
2	0053054		PANEL,DASH,BELTLINE,QUARTZ, M4RE	
4	1589522	19	SCREW,10-16 X 3/4,AB,PH1,PAN HD,YEL ZN	
14	0043919	8	WASHER,SCREW COVER,12/12-FB	
15	0053051		COVER,SCREWHEAD,NO 12/12-173 LA. GREY	
16	0046984		PANEL,DASH,LH UPPER,QUARTZ GRAY, H4RE	
17	2000636	3	SCREW,1/4-14 X 1/2,AB,PH1,PAN HD,YEL	
18	0043740	3	ANGLE,MTG,DRIVERS SIDE CONSOLE, H4RE	
20	0044770	2	LOUVER ASSY,BALL,SINGLE VANE,2.5 ID HOSE,	
21	2000586	9	SCREW,10-16X1-1/4,AB,PH1,PAN HD,YEL ZN	