

**Body**

**360 Windows**

ENTRANCE, LIFT, AND REAR EMERGENCY DOOR/WINDOW  
ENTRANCE DOOR AND DRIVERS WINDOW GLASS

---

1

PASSENGER SHADES

*With: FEATURE 38111-03*

---

2

TRANSIT  
EXCEL

---

3

WINDSHIELD SHADES

*With: FEATURE 38111-01, -02, -04, -05, -06*

---

4

WINDSHIELDS

---

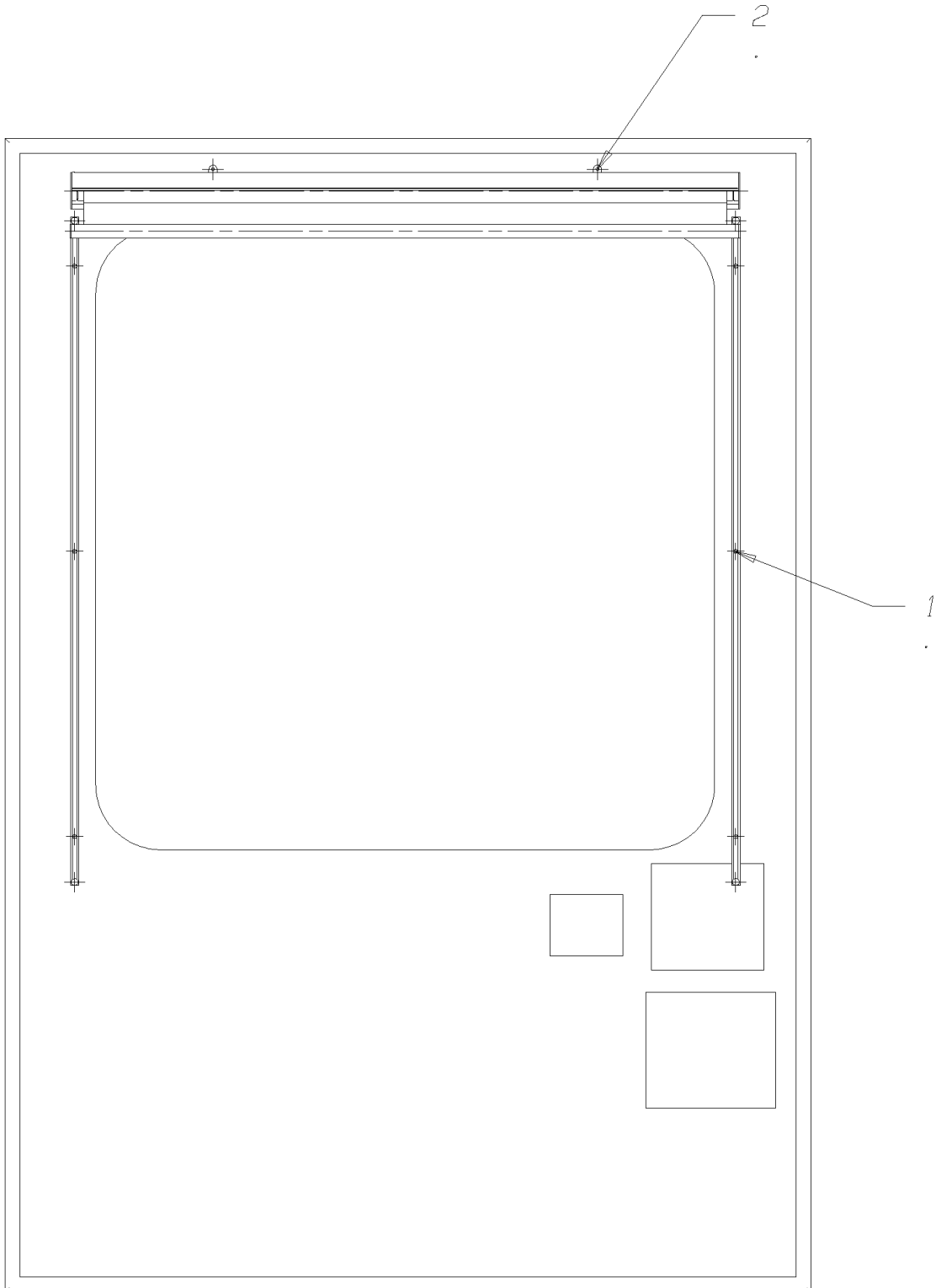
5

**Models: M4RE  
ENTRANCE, LIFT, AND REAR EMERGENCY DOOR/WINDOW  
ENTRANCE DOOR AND DRIVERS WINDOW GLASS**

| Key | PartNumber | Qty | Description                           | Comment |
|-----|------------|-----|---------------------------------------|---------|
|     | 0052717    |     | WINDOW,HEHR,DRIVERS,ANGLED BTM T,M4RE |         |
|     | 0052716    |     | WINDOW,HEHR,ENT DOOR,UPR,STAT,M4RE    |         |
|     | 0052715    |     | WINDOW,HEHR,ENT DOOR,LWR,STAT,M4RE    |         |

**Models:** M4RE  
**With:** PASSENGER SHADES  
FEATURE 38111-03

| Key | PartNumber | Qty | Description | Comment |
|-----|------------|-----|-------------|---------|
|-----|------------|-----|-------------|---------|



**Models:** M4RE  
**With:** PASSENGER SHADES  
 FEATURE 38111-03

| Key | PartNumber | Qty | Description   | Comment                   |
|-----|------------|-----|---|---------------------------|
| 1   | 3750734    | 6   | SCREW,SM,PH,PN/HD,6-20 X 3/4,TYPE AB,A3R                            |                           |
| 2   | 2016632    | 4   | SCREW,10-16 X 3/4, AB, PH1, PAN, HD, SST<br>SHADE, PASSENGER WINDOW |                           |
|     | 0064591    |     | SHADE,PASS WDO,46.00 WDO OPG,M4RE                                   |                           |
|     | 0064592    |     | SHADE,PASS WDO,43.54 WDO OPG,M4RE                                   |                           |
|     | 0064593    |     | SHADE,PASS WDO,50.93 WDO OPG,M4RE                                   |                           |
|     | 0064594    |     | SHADE,PASS WDO,42.33 WDO OPG,M4RE                                   |                           |
|     | 0064614    |     | SHADE,DOOR,WHEELCHAIR ACCESS,M4RE                                   |                           |
|     | 0064595    |     | KIT,SHADE,PASS WDO,45' STD,W/LAV,M4RE                               | CONSISTS OF THE FOLLOWING |
|     | 0064591    | 12  | SHADE,PASS WDO,46.00 WDO OPG,M4RE                                   |                           |
|     | 0064592    | 3   | SHADE,PASS WDO,43.54 WDO OPG,M4RE                                   |                           |
|     | 0064593    |     | SHADE,PASS WDO,50.93 WDO OPG,M4RE                                   |                           |
|     | 0064594    |     | SHADE,PASS WDO,42.33 WDO OPG,M4RE                                   |                           |
|     | 0064596    |     | KIT,SHADE,PASS WDO,45' STD,W/O LAV,M4RE                             | CONSISTS OF THE FOLLOWING |
|     | 0064591    | 13  | SHADE,PASS WDO,46.00 WDO OPG,M4RE                                   |                           |
|     | 0064592    | 4   | SHADE,PASS WDO,43.54 WDO OPG,M4RE                                   |                           |
|     | 0064593    |     | SHADE,PASS WDO,50.93 WDO OPG,M4RE                                   |                           |
|     | 0064597    |     | KIT,SHADE,PASS WDO,45' W/ADA DR,W/LAV,                              | CONSISTS OF THE FOLLOWING |
|     | 0064591    | 12  | SHADE,PASS WDO,46.00 WDO OPG,M4RE                                   |                           |
|     | 0064592    | 3   | SHADE,PASS WDO,43.54 WDO OPG,M4RE                                   |                           |
|     | 0064594    |     | SHADE,PASS WDO,42.33 WDO OPG,M4RE                                   |                           |
|     | 0064614    |     | SHADE,DOOR,WHEELCHAIR ACCESS,M4RE                                   |                           |
|     | 0064598    |     | KIT,SHADE,PASS WDO,45' W/ADA DR,W/O LAV,                            | CONSISTS OF THE FOLLOWING |

**Models:** M4RE  
**With:** PASSENGER SHADES  
 FEATURE 38111-03

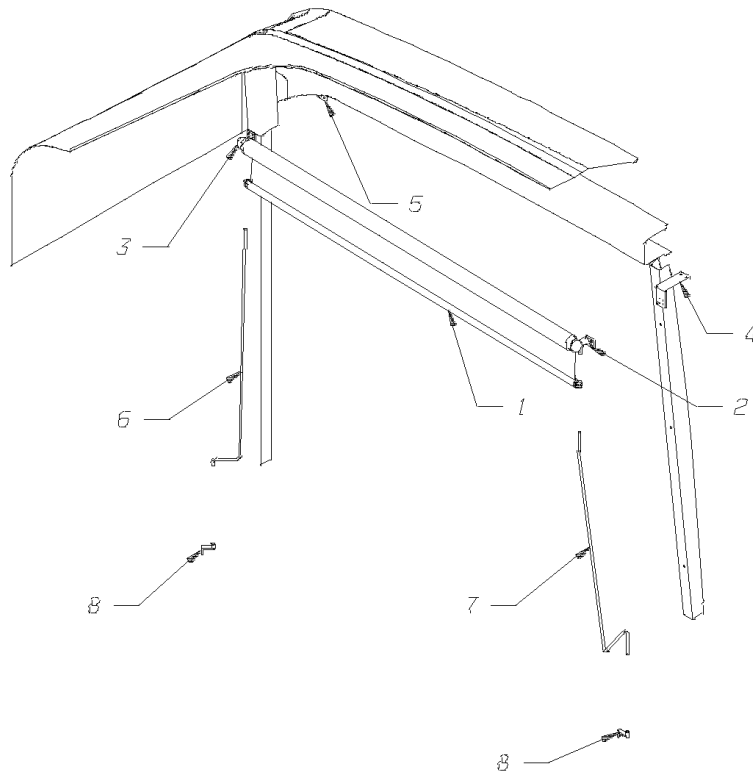
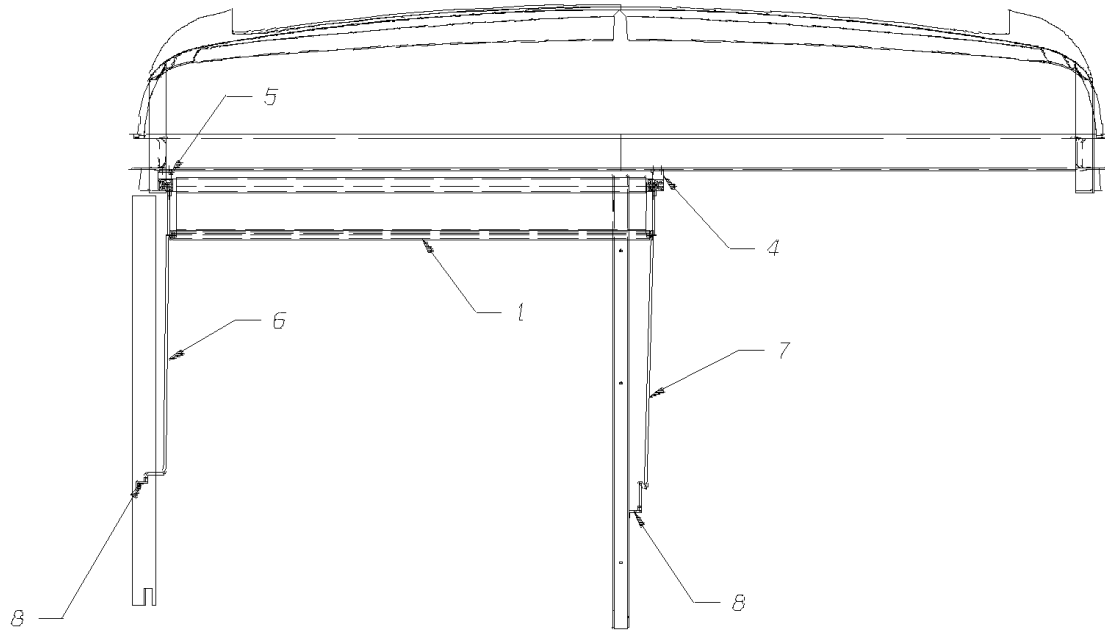
| Key | PartNumber | Qty | Description                              | Comment                   |
|-----|------------|-----|--|---------------------------|
|     | 0064591    | 13  | SHADE,PASS WDO,46.00 WDO OPG,M4RE        |                           |
|     | 0064592    | 4   | SHADE,PASS WDO,43.54 WDO OPG,M4RE        |                           |
|     | 0064614    |     | SHADE,DOOR,WHEELCHAIR ACCESS,M4RE        |                           |
|     | 0064599    |     | KIT,SHADE,PASS WDO,40' STD, W/LAV,M4RE   | CONSISTS OF THE FOLLOWING |
|     | 0064591    | 14  | SHADE,PASS WDO,46.00 WDO OPG,M4RE        |                           |
|     | 0064592    | 3   | SHADE,PASS WDO,43.54 WDO OPG,M4RE        |                           |
|     | 0064593    |     | SHADE,PASS WDO,50.93 WDO OPG,M4RE        |                           |
|     | 0064594    |     | SHADE,PASS WDO,42.33 WDO OPG,M4RE        |                           |
|     | 0064600    |     | KIT,SHADE,PASS WDO,40' STD, W/O LAV,M4RE | CONSISTS OF THE FOLLOWING |
|     | 0064591    | 11  | SHADE,PASS WDO,46.00 WDO OPG,M4RE        |                           |
|     | 0064592    | 4   | SHADE,PASS WDO,43.54 WDO OPG,M4RE        |                           |
|     | 0064593    |     | SHADE,PASS WDO,50.93 WDO OPG,M4RE        |                           |
|     | 0064601    |     | KIT,SHADE,PASS WDO,40' W/ADA DR,W/LAV,   | CONSISTS OF THE FOLLOWING |
|     | 0064591    | 10  | SHADE,PASS WDO,46.00 WDO OPG,M4RE        |                           |
|     | 0064592    | 3   | SHADE,PASS WDO,43.54 WDO OPG,M4RE        |                           |
|     | 0064594    |     | SHADE,PASS WDO,42.33 WDO OPG,M4RE        |                           |
|     | 0064614    |     | SHADE,DOOR,WHEELCHAIR ACCESS,M4RE        |                           |
|     | 0064602    |     | KIT,SHADE,PASS WDO,40' W/ADA DR,W/O LAV, | CONSISTS OF THE FOLLOWING |
|     | 0064591    | 11  | SHADE,PASS WDO,46.00 WDO OPG,M4RE        |                           |
|     | 0064592    | 4   | SHADE,PASS WDO,43.54 WDO OPG,M4RE        |                           |
|     | 0064614    |     | SHADE,DOOR,WHEELCHAIR ACCESS,M4RE        |                           |

**Models:** M4RE  
TRANSIT  
EXCEL

| Key | PartNumber | Qty | Description                           | Comment                          |
|-----|------------|-----|---------------------------------------|----------------------------------|
|     | 0055709    |     | KIT,WINDOW,PASSENGER,STD,45FT,M4RE    | <i>CONSISTS OF THE FOLLOWING</i> |
|     | 0052946    | 13  | WINDOW,ATWOOD,HID FRM,30% LT,46W X    |                                  |
|     | 0052947    | 4   | WINDOW,ATWOOD,HID FRM,30% LT,43.53W X |                                  |
|     | 0052948    |     | WINDOW,ATWOOD,HID FRM,30% LT,50.75W X |                                  |
|     | 0055710    |     | KIT,WINDOW,PASSENGER,ADA,45FT,M4RE    | <i>CONSISTS OF THE FOLLOWING</i> |
|     | 0052946    | 13  | WINDOW,ATWOOD,HID FRM,30% LT,46W X    |                                  |
|     | 0052947    | 4   | WINDOW,ATWOOD,HID FRM,30% LT,43.53W X |                                  |

**Models:** M4RE  
**WINDSHIELD SHADES**  
**With:** FEATURE 38111-01, -02, -04, -05, -06

| Key | PartNumber | Qty | Description | Comment |
|-----|------------|-----|-------------|---------|
|-----|------------|-----|-------------|---------|



**Models:** M4RE  
**WINDSHIELD SHADES**  
**With:** FEATURE 38111-01, -02, -04, -05, -06

| Key | PartNumber | Qty | Description                              | Comment                          |
|-----|------------|-----|--|----------------------------------|
|     |            |     | SHADE, W/S POWER AND MANUAL              | <i>CONSIST OF THE FOLLOWING)</i> |
| 1   |            |     | ROLLER SHADE ASSEMBLY                    |                                  |
| 2   |            |     | CAP, END, ROLLER SHADE, RH               |                                  |
| 3   |            |     | CAP, END ROLLER SHADE, LH                |                                  |
|     |            |     | KIT, MOUNTING, SHADE, MANUAL AND POWER   | <i>CONSIST OF THE FOLLOWING</i>  |
| 4   |            |     | BRACKET, MOUNTING, ROLLER SHADE, RH      |                                  |
| 5   |            |     | BRACKET, MOUNTING, ROLLER SHADE, LH      |                                  |
| 6   |            |     | ROD, GUIDE, ROLLER SHADE, LH             |                                  |
| 7   |            |     | ROD, GUIDE, ROLLER SHADE, RH             |                                  |
| 8   |            |     | BRACKET, MOUNTING, GUIDE ROD             |                                  |
| NI  | 0060965    | 8   | SCREW,FT/HD,6-32X5/8,PH,CSNK,TYPE F,SST  |                                  |
| NI  | 4652699    | 8   | SCREW,8-18 3/4,PHILLIPS,PAN TECH 2,STEEL |                                  |
|     |            |     |  | <i>FEATURE 38111-01</i>          |
|     | 0038782    | 2   | SHADE,W/S,MANUAL,LTC40,2002,Q4RE         |                                  |
|     |            |     | KIT, MOUNTING, SHADE, MAN AND PWR        |                                  |
|     | 0060985    |     | KIT,MOUNTING,SHADE,MAN & PWR,LH W/S,     |                                  |
|     | 0060984    |     | KIT,MOUNTING,SHADE,MAN & PWR,RH W/S,     |                                  |
|     |            |     |  | <i>FEATURE 38111-02</i>          |
|     | 0038784    |     | SHADE,DRS WINDOW,MANUAL,LTC40,2002,      |                                  |
|     | 0038786    |     | MOUNTING KIT,SHADE,MAN & PWR,D/SI WDO,   |                                  |
|     |            |     |  | <i>FEATURE 38111-04</i>          |
|     |            |     | SHADE, W/S                               |                                  |
|     | 0038782    |     | SHADE,W/S,MANUAL,LTC40,2002,Q4RE         |                                  |



**Models:** M4RE  
**WINDSHIELD SHADES**  
**With:** FEATURE 38111-01, -02, -04, -05, -06

| Key | PartNumber | Qty | Description  | Comment                 |
|-----|------------|-----|--|-------------------------|
|     | 0038783    |     | SHADE,W/S,POWER,LTC40,2002,Q4RE<br>KIT, MOUNTING, SHADE, MAN AND PWR |                         |
|     | 0060985    |     | KIT,MOUNTING,SHADE,MAN & PWR,LH W/S,                                 |                         |
|     | 0060984    |     | KIT,MOUNTING,SHADE,MAN & PWR,RH W/S,                                 | <i>FEATURE 38111-05</i> |
|     | 0038783    | 2   | SHADE,W/S,POWER,LTC40,2002,Q4RE<br>KIT, MOUNTING, SHADE, MAN AND PWR |                         |
|     | 0060985    |     | KIT,MOUNTING,SHADE,MAN & PWR,LH W/S,                                 |                         |
|     | 0060984    |     | KIT,MOUNTING,SHADE,MAN & PWR,RH W/S,                                 | <i>FEATURE 38111-06</i> |
|     | 0038785    |     | SHADE,DRS WINDOW,POWER,LTC40,2002,                                   |                         |
|     | 0038786    |     | MOUNTING KIT,SHADE,MAN & PWR,D/SI WDO,                               |                         |

**Models:** M4RE  
WINDSHIELDS

| Key | PartNumber | Qty | Description                            | Comment |
|-----|------------|-----|--|---------|
|     | 0060223    |     | GLASS,W/S,2CF,.265 LAM,TNT/SHD,102,RH, |         |
|     | 0060224    |     | GLASS,W/S,2CF,.265 LAM,TNT/SHD,102",LH |         |
|     | 1888510    |     | RUBBER,WINDSHIELD SEAL,NREL            |         |
|     | 0032859    |     | GLASS,WINDSHIELD,UPPER,RIGHT HAND,Q4RE |         |
|     | 0032860    |     | GLASS,WINDSHIELD,UPPER,LEFT HAND,Q4RE  |         |