

Body

370 Heaters

_____	1
AIR CONDITIONING	
_____	2
AC DRAIN LINE CUTOUTS	
_____	3
COMPRESSOR INSTALLATION	
_____	4
DUCTING	
DEFROSTER	
_____	5
PRISON COACH	
_____	6
INSTALLATION ROOF TOP	
_____	7
AUXILIARY	
WEBASTO 230	
HEATER ASSEMBLY	
_____	8
HEATER BREAKDOWN	
_____	9
HEATER INSTALLATION	
_____	10
CONVECTION HEATING	
INSTALLATION	
40 FT	
<i>With: FEATURE 38102-02</i>	
_____	11
<i>With: FEATURE 38102-02 AND FEATURE 38115-03</i>	
_____	12
40 FT WITH ADA	
<i>With: FEATURE 38102-02 AND FEATURE 38101-02</i>	
_____	13
<i>With: FEATURE 38102-02 AND FEATURE 38101-02 AND FEATURE 38115-03</i>	
_____	14
45 FT	
<i>With: FEATURE 38102-02</i>	
_____	15
<i>With: FEATURE 38102-02 AND FEATURE 38115-03</i>	
_____	16



45 FT WITH ADA

With: FEATURE 38102-02 AND FEATURE 38101-02 _____ 17

With: FEATURE 38102-02 AND FEATURE 38101-02 AND FEATURE 38115-03 _____ 18

TYPE 10

With: FEATURE 30059 _____ 19

TYPE 5

With: FEATURE 30059 _____ 20

TYPE 6

With: FEATURE 30059 _____ 21

TYPE 7

With: FEATURE 30059 _____ 22

FRONT HEATER

HEATER INSTALLATION

A/C PACKAGE, HEATER-DEFROST, KYSOR

_____ 23

HEATER SWITCH PANEL, WIRING AND SWITCHES

_____ 24

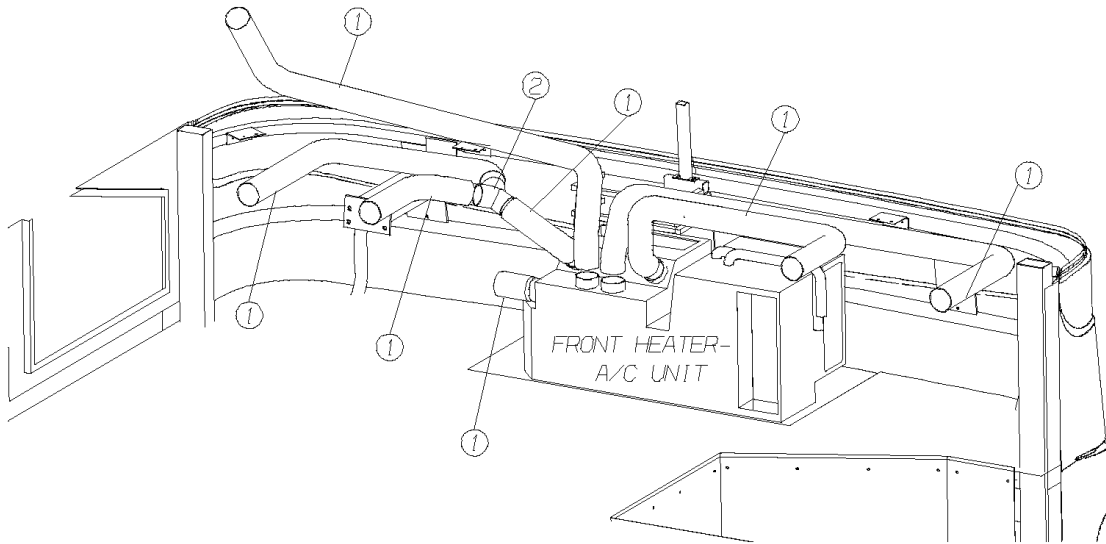
Models: M4RE

Key	PartNumber	Qty	Description	Comment
-----	------------	-----	-------------	---------

GO TO INST AND CONV FOR ADDITIONAL

Models: H4RE, M4RE
AIR CONDITIONING

Key	PartNumber	Qty	Description	Comment
-----	------------	-----	-------------	---------

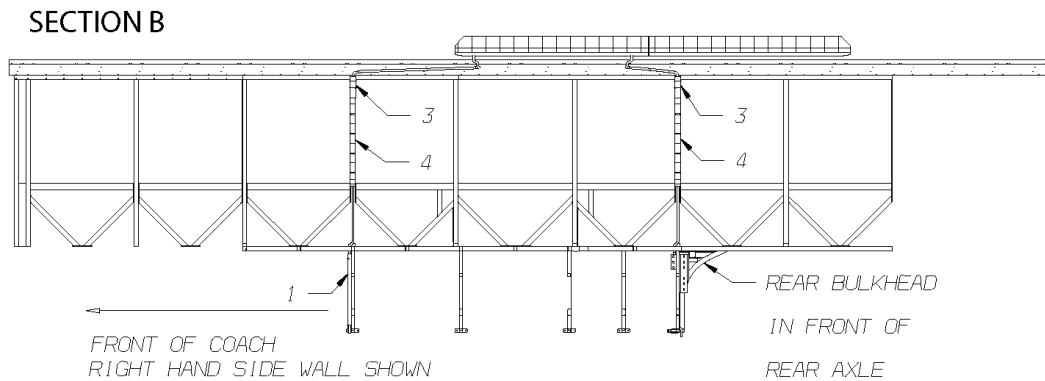
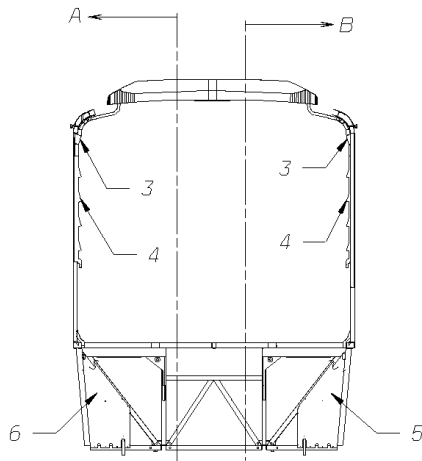
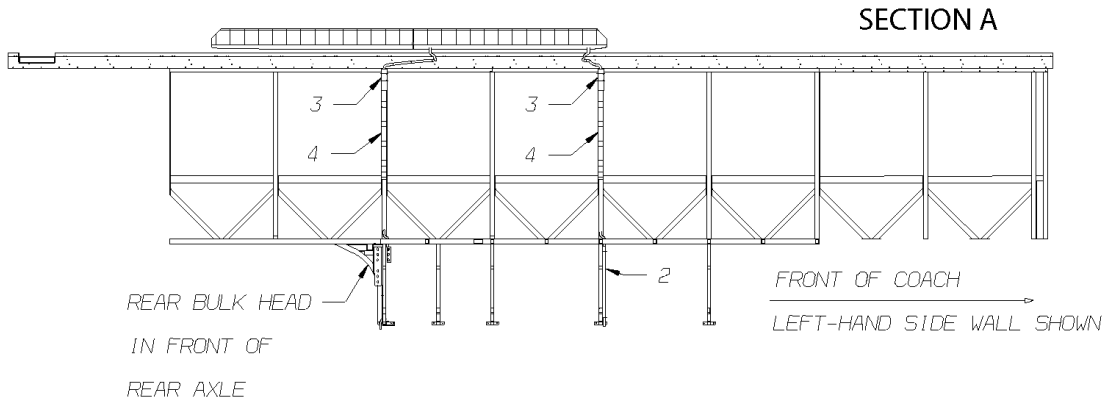


**Models: H4RE, M4RE
AIR CONDITIONING**

Key	PartNumber	Qty	Description	Comment
1	4316733	AR	HOSE, 2.5" HEATER CV KYSOR WESTRAN	
2	0008825	6	CONNECTOR,DUCT,Y,2.5",KYSOR	

Models: **M4RE**
AIR CONDITIONING
AC DRAIN LINE CUTOUTS

Key	PartNumber	Qty	Description	Comment
-----	------------	-----	-------------	---------

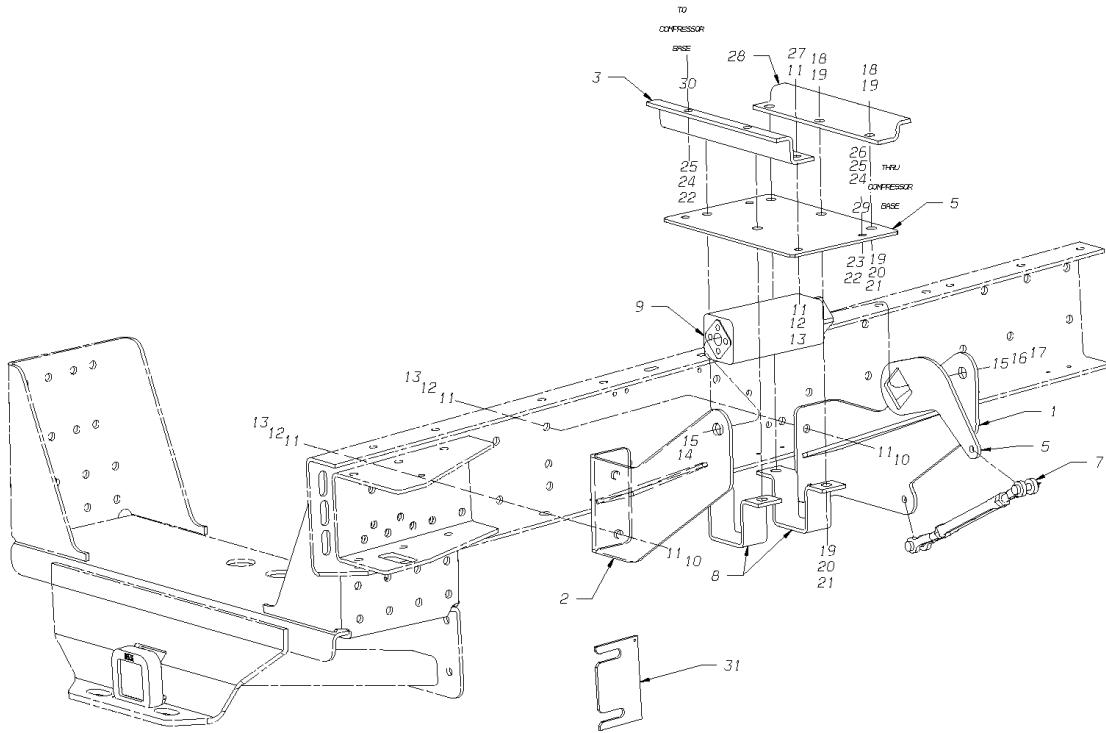


**Models: M4RE
AIR CONDITIONING
AC DRAIN LINE CUTOUTS**

Key	PartNumber	Qty	Description	Comment
1	0071693		SHIELD,COVER,AC DRAIN LINE,STAINLESS,RH,	
2	0071692		SHIELD,COVER,AC DRAIN LINE,STAINLESS,LH,	
3	0071828	4	COVER ASSY,INTERIOR,SIDEWALL,DRAIN LINE,	
4	0071840	4	PANEL,INTERIOR,SIDEWALL,W/DRAIN LINE,	
5	0071705		SHIELD,COVER,AC DRAIN LINE,SS,LH,REAR,	
6	0071706		SHIELD,COVER,AC DRAIN LINE,SS,RH,REAR,	
NI	0075502	AR	GROMMET,FLEXIBLE,BLACK,HEYCO#GR187,	
NI	1623313	AR	GROMMET,FLEXIBLE,MOLDED STRIP,HEYCO	

**Models: M4RE
AIR CONDITIONING
COMPRESSOR INSTALLATION**

Key	PartNumber	Qty	Description	Comment
-----	------------	-----	-------------	---------



**Models: M4RE
AIR CONDITIONING
COMPRESSOR INSTALLATION**

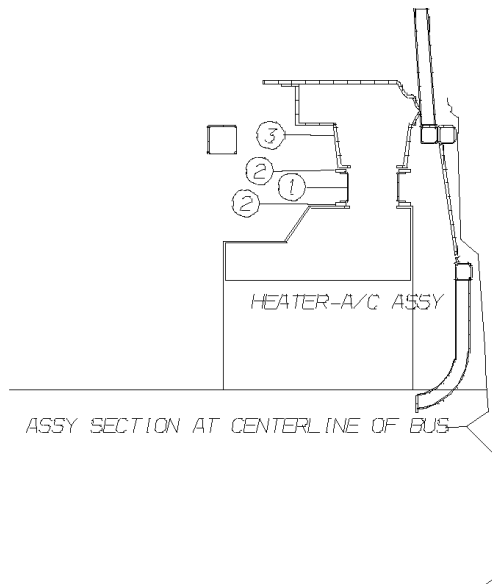
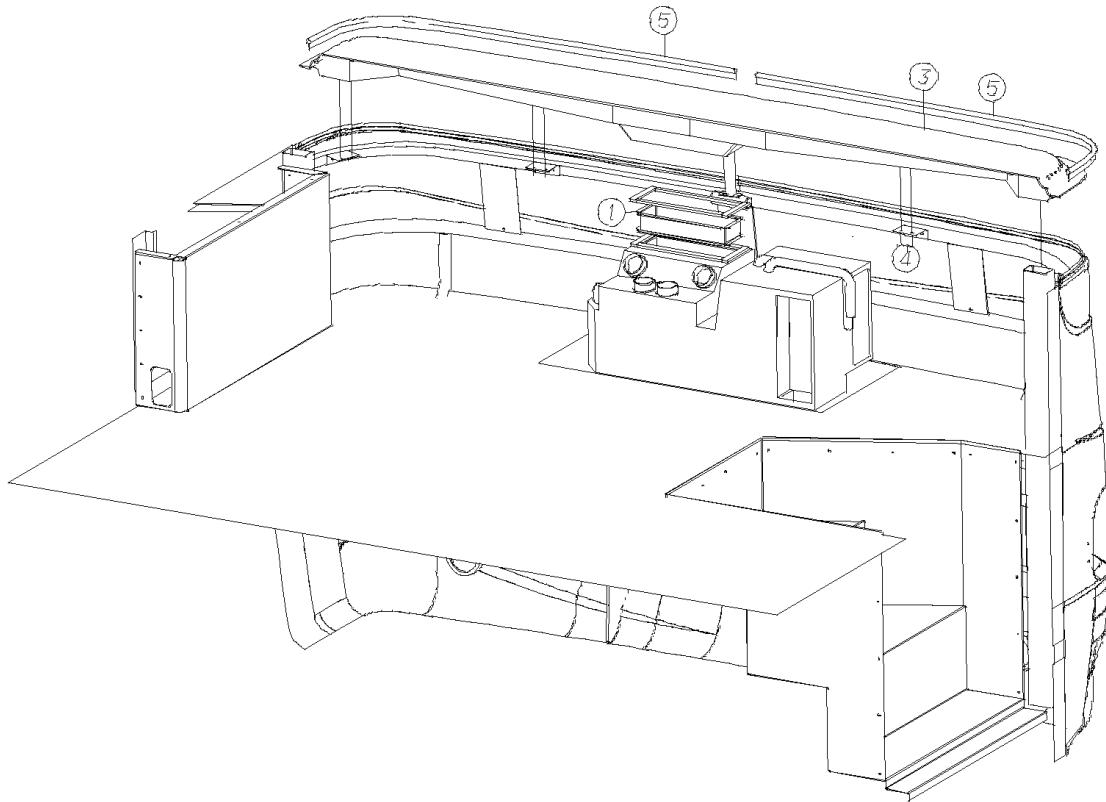
Key	PartNumber	Qty	Description	Comment
1	0074913		BRACKET ASSY,MTG,A/C COMPRESSOR,RH	
2	0071912		BM L3RE CABLES W/31061-06	
3	0070231		BRACKET,MTG,COMPRESSOR TO PLATE, M4RE	
5	0070233		PLATE,ADJUST,TENSION,A/C COMPRESSOR,	
6	0070234		PLATE,MTG,A/C COMPRESSOR,CARRIER, M4RE	
7	0070235		TURNBUCKLE,FITTING,1/2,RANGE 13.5 - 19.5	
8	0070284	2	BRACKET,MTG,ISOLATOR,ROSTA 01500007	
9	0070285		ISOLATOR,ELEMENT,ROSTA DRC50X220	
10	1839331	4	CAPSCREW,HEX HD,1/2-13 X 2.00,GR5 YEL	
11	0850776	12	WASHER,FLAT,17/32 X 1 1/16 X 3/32,	
12	0990655	6	LOCKWASHER,SPLIT RING, 1/2 ,MED,YEL ZN	
13	2001477	8	NUT,HEX HD,1/2-13,YEL ZN DICH	
14	0070937		CAPSCREW,HEX HD,3/4-10 X 11,GR8,YEL ZN	
15	0607036	2	WASHER,FLAT,13/16 X 1 3/8 X 7/64 ZP,HRD	
16	2001238		LOCKWASHER,SPLIT RING, 3/4 ,LHT,YEL ZN	
17	2001519		NUT,HEX HD,3/4-10,YEL ZN DICH	
18	1111384	5	CAPSCREW,HEX HD,5/8-11 X1 1/4,GR5,	
19	0929018	10	WASHER,FLAT,21/32 X 1 1/8 X 3/32,HDN,YEL	
20	2001220	5	LOCKWASHER,SPLIT RING, 5/8 ,LHT,YEL ZN	
21	2001493	5	NUT,HEX HD,5/8-11,YEL ZN DICH	
22	2028363	2	BOLT,HEX HD,3/8-16,1-1/4,GR 5,YEL ZN DICH	
23	2028389	2	CAPSCREW,HEX HD,3/8-16X3 1/4,GR5,YEL	
24	1078922	6	WASHER,FLAT,3/8 X 7/8 X 5/64,YEL ZN DICH	

**Models: M4RE
AIR CONDITIONING
COMPRESSOR INSTALLATION**

Key	PartNumber	Qty	Description	Comment
25	0882795	2	LOCKWASHER,SPLIT RING,3/8,MED,YELLOW	
26	2001451	2	NUT,HEX HD,3/8-16,YELLOW DICHRIMATE	
27	1942135	2	CAPSCREW,HEX HD 1/2-13X 1 1/4,GR8,	
28	0070915		BRACKET,MTG,SUPPORT,A/C COMPRESSOR,	
29	0070923	2	SPACER,SST,.531 ID X 1.00 OD X 1.50 LONG"	
30	0070924	2	SPACER,SST,.531 ID X 1.00 OD X .50 LONG"	
NI	0055739		COMPRESSOR ASSY,CARRIER,05G, M4RE	
NI	0070432		BELT,A/C,GATES,POWERBAND,2/5VX850	
NI	0071808		SHIM,MTG,A/C COMPRESSOR MOUNTING	

Models: H4RE, M4RE
 AIR CONDITIONING
 DUCTING
 DEFROSTER

Key	PartNumber	Qty	Description	Comment
-----	------------	-----	-------------	---------

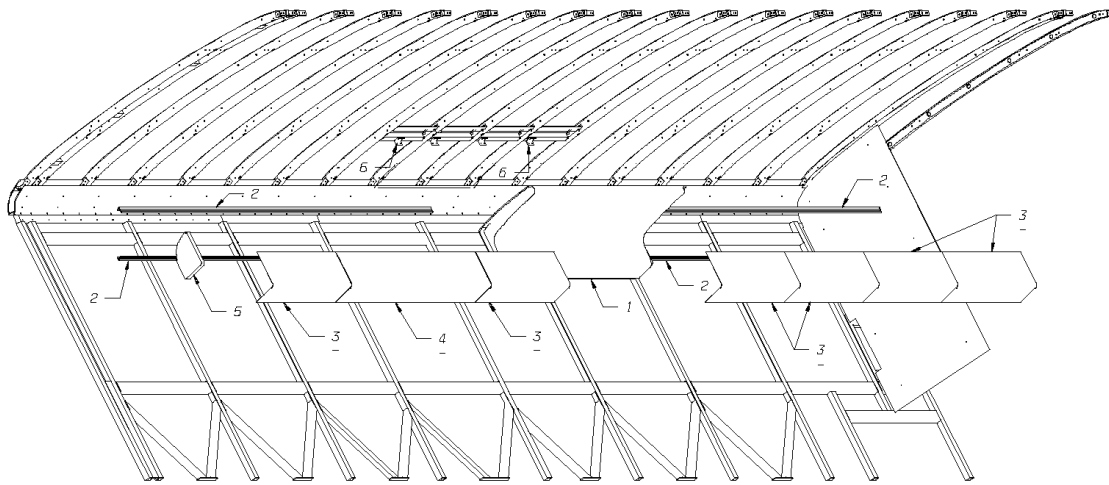


Models: H4RE, M4RE
AIR CONDITIONING
DUCTING
DEFROSTER

Key	PartNumber	Qty	Description	Comment
1	0045268		PANEL ASSY,CLOSEOUT,A/C TO DEF PLENUM,	
2	0830059	AR	TAPE,FOAM,1/2X3/4,CLSD CELL NEOPRENE ADH	
3	0043738		PLENUM,DEFROSTER,FRONT DASH, H4RE	
4	1589522	8	SCREW,10-16 X 3/4,AB,PH1,PAN HD,YEL ZN	
5	0048037	2	TRIM,WELT,FRONT DASH,MUSHROOM TAN	

Models: **M4RE**
AIR CONDITIONING
DUCTING
PRISON COACH

Key	PartNumber	Qty	Description	Comment
-----	------------	-----	-------------	---------



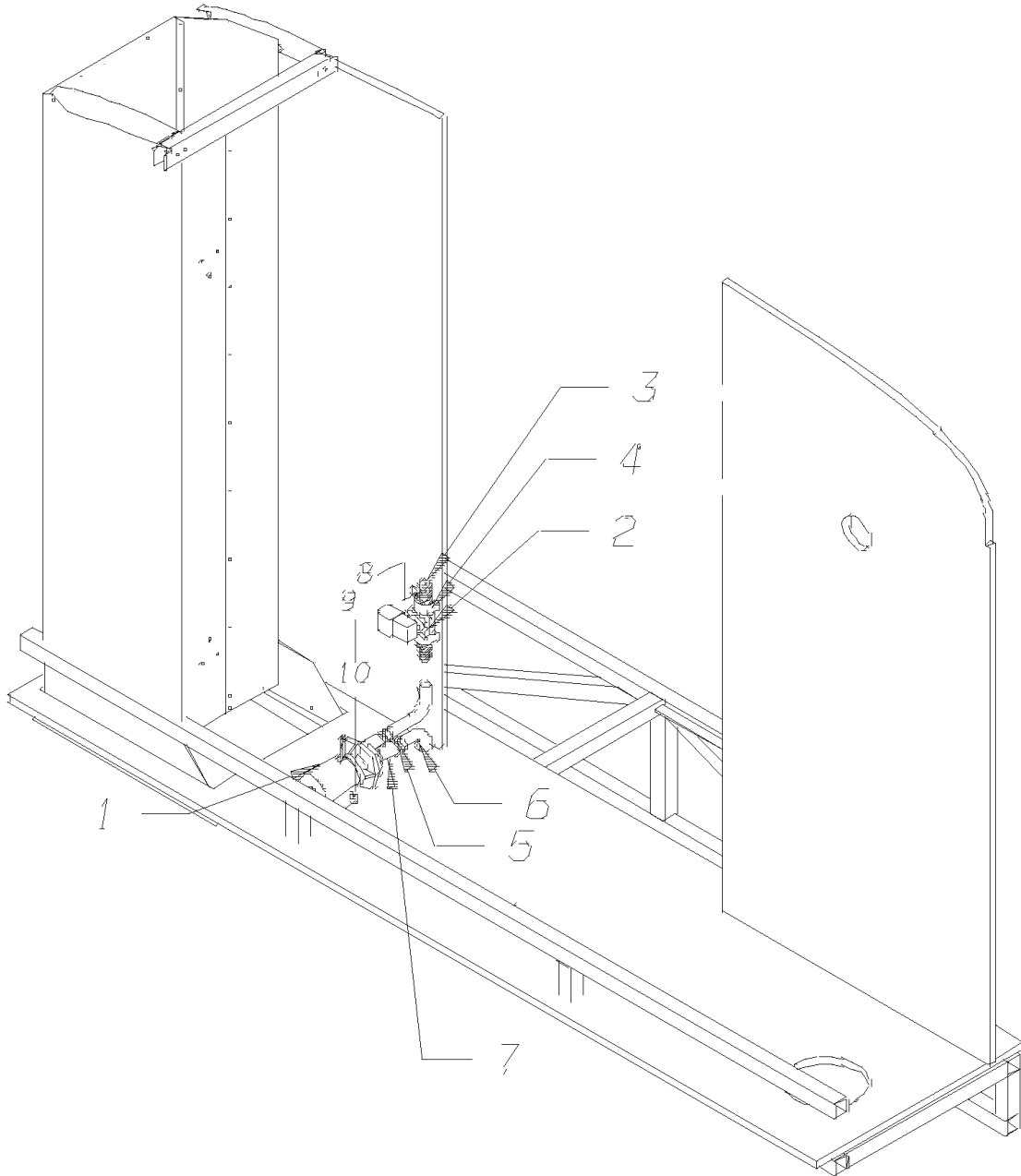
INTERIOR OF COACH SHOWN - LOOKING OUTWARD
 ROOF PANELS NOT SHOWN FOR CLARITY

Models: **M4RE**
AIR CONDITIONING
DUCTING
PRISON COACH

Key	PartNumber	Qty	Description	Comment
1	0061895	2	DUCT,TRANSITION,AIR CONDITIONER,RF353,	
2	0051543	8	EXTRUSION,ALUMINUM,AC DUCT,M4RE	
3	0062467	12	PANEL,AIR DUCT,AIR CONDITIONER,39.38,	
4	1775378	2	PANEL,DUCT,WITH A/C GRILLE,69.80, QBRE	
5	0061963		PANEL,CLOSEOUT,AIR DUCT,RH,GRAY,M4RE	
6	0368019	8	BRACKET,WALL MTG,1 1/4 X 1 1/4 X 3 1/16,WL	
7	0542019	40	RIVET,LONG CHERRY,7355-100-6-8	
8	3788049	90	RIVET,BLIND,ALUM,3/16 DIA,W/ALUM M,251	
9	1233964	16	TRIM,VINYL,GRILLE BAR,FILLER	
10	1603240	10	EXTRUSION,FILLERSTRIP,A/C DUCT	
11	2004547	3	TRIM,INSTRUMENT HOOD,VINYL EDGE,BLACK	
12	2018208	2	TAPE, FOAM, GREY, 1/8 X 3/4 X 100 FT	
13	1415769	16	RIVET,POP,.18 X .45,CHERRY SSPS-6-4	
14	3751765	8	SCREW,SM,PH,TH,10-16 X 1 1/4,TYPE AB,ZN3	
15	3804101	14	SCREW,SM,PH,PN/HD,10-16 X 1/2,TYPE B,ZN3	
16	0062468		PANEL,CLOSEOUT,AIR DUCT,LH,GRAY,M4RE	

Models: **M4RE**
AIR CONDITIONING
INSTALLATION ROOF TOP

Key	PartNumber	Qty	Description	Comment
-----	------------	-----	-------------	---------

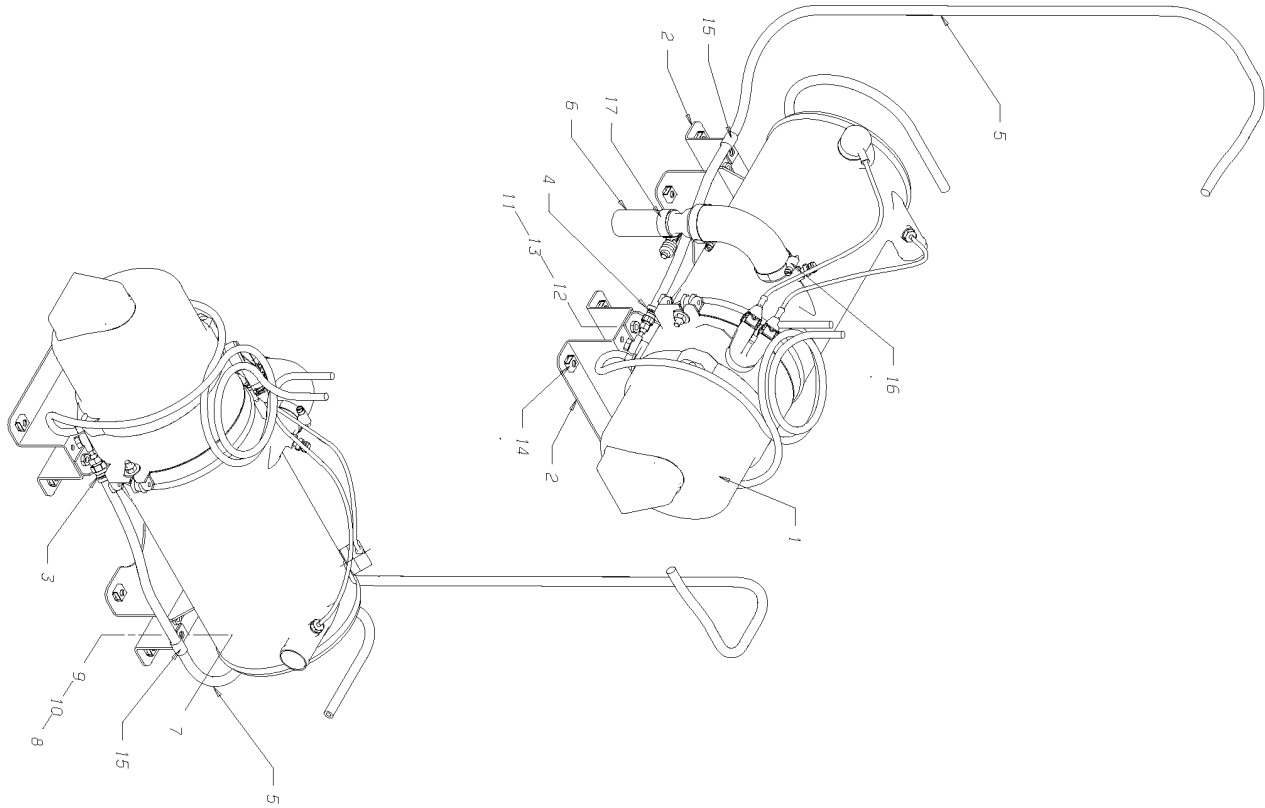


**Models: M4RE
AIR CONDITIONING
INSTALLATION ROOF TOP**

Key	PartNumber	Qty	Description	Comment
1	0058279		PUMP,WATER,AUXILIARY HTR,MP,24 VOLT	
2	0058280		VALVE,SOLENOID,CUTOFF,	
3	4644571	2	ADAPTER,1 X 3/4,BR,MIP,98 LTC	
4	2223618	2	STRAP,CONDUIT,1 1/4 ID,T&B NO1214	
5	1894799	8	CLAMP,CONSTANT TORQUE,13/16 TO 1-1/2 DIA	
7	1250760	10	HOSE,HEATER,1",GY HI MILER,BLUE W/WHT	
8	3840451	2	SCREW,SM,PH,TH,10-16 X 3/4,TYPE AB,ZN3	
9	3840634	4	SCREW,SM,PH,OVAL HD,10-16X1 1/2,TYPE AB,	
10	3805157	4	WASHER,FLAT,TYPE A,NARROW,1/4,304 SS	
11	0058283	22	PLUSNUT,3/8-16	
12	0063679		BRACKET,MTG,WATER PUMP, M4RE	
13	2264562	6	RIVET,BLIND,STEEL,3/16 DIA,W/ST M,188-250	
NI	1059278	4	SPLINT,1IN HOSE BEND,90 DEGREE,4.5IN.RAD	
NI	0948141		CLAMP,LOOP,1.312	
NI	0054290		ADHESIVE,SIKA-FLEX 252,20OZ. SAUSAGE,BLK	
NI	0075502		GROMMET,FLEXIBLE,BLACK,HEYCO#GR187,	

Models: M4RE
 AUXILIARY
 WEBASTO 230
 HEATER ASSEMBLY

Key	PartNumber	Qty	Description	Comment
-----	------------	-----	-------------	---------

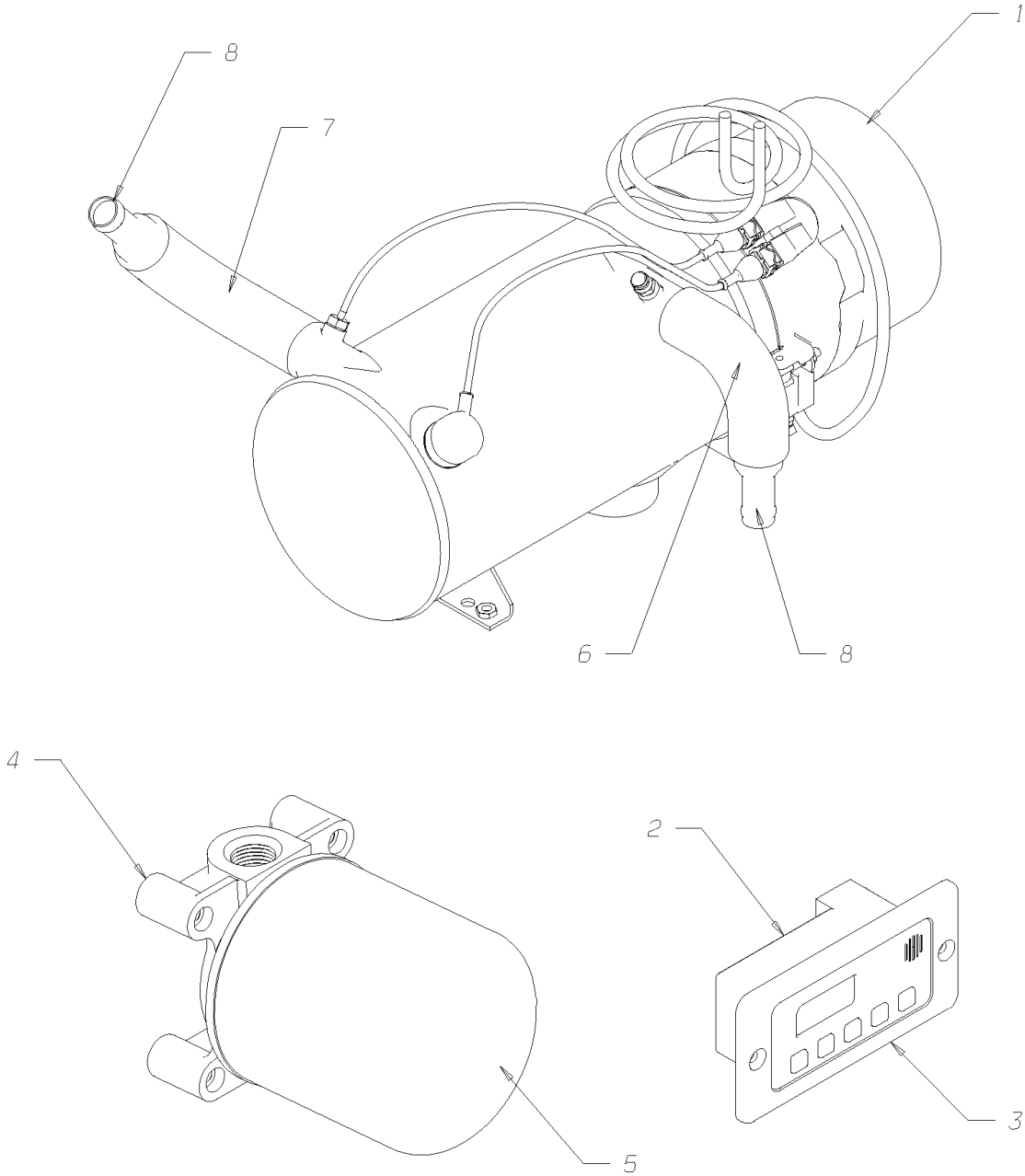


Models: **M4RE**
AUXILIARY
WEBASTO 230
HEATER ASSEMBLY

Key	PartNumber	Qty	Description	Comment
1	0065585		KIT,HEATER,WEBASTO,THERMO 230,M4RE	
2	0065586	2	BRACKET,MTG,PREHEATER,WEBASTO,M4RE	
3	0065587		FITTING,SWIVEL,FEM,45FL,1/4H X #6 JIC	
4	0060430		FITTING,SWIVEL,FM,45FL,1/4HX1/4T,10004B	
5	1797802	AR	HOSE,.25 ID X .50 OD,W-H H00904	
6	1143866	AR	HOSE,HEATER,1 INCH ID,SILICONE	
7	1692664	2	CAPSCREW, HEX FLG,1/4-20 X .75, GR5, YEL	
8	3840832	2	NUT,HEX,1/4-20,ZN3	
9	1991108	2	WASHER,FLAT,17/64 ID X 3/4,YELLOW ZINC	
10	2177301	2	WASHER,LOCK,HELICAL SPRING,1/4,ZN3	
11	1032283	4	CAPSCREW,HEX HD,5/16-18,X,3/4,GR5,	
12	3840881	4	WASHER,FLAT,TYPE A,NARROW,5/16,ZN3	
13	2001188	4	LOCKWASHER,SPLIT RING, 5/16,MED,YEL ZN	
14	1647205	AR	NUT,CAGE,5/16-18,C-7957-5618-4	
15	0854612	2	CLAMP,LOOP,.500	
16	0016749	2	CLAMP,CONSTANT TORQUE, 1 1/16 X 2.00,	
17	1894799		CLAMP,CONSTANT TORQUE,13/16 TO 1-1/2 DIA	
NI	1363274		CLAMP,HOSE,SILICON,.62.00	

Models: **M4RE
AUXILIARY
WEBASTO 230
HEATER BREAKDOWN**

Key	PartNumber	Qty	Description	Comment
-----	------------	-----	-------------	---------

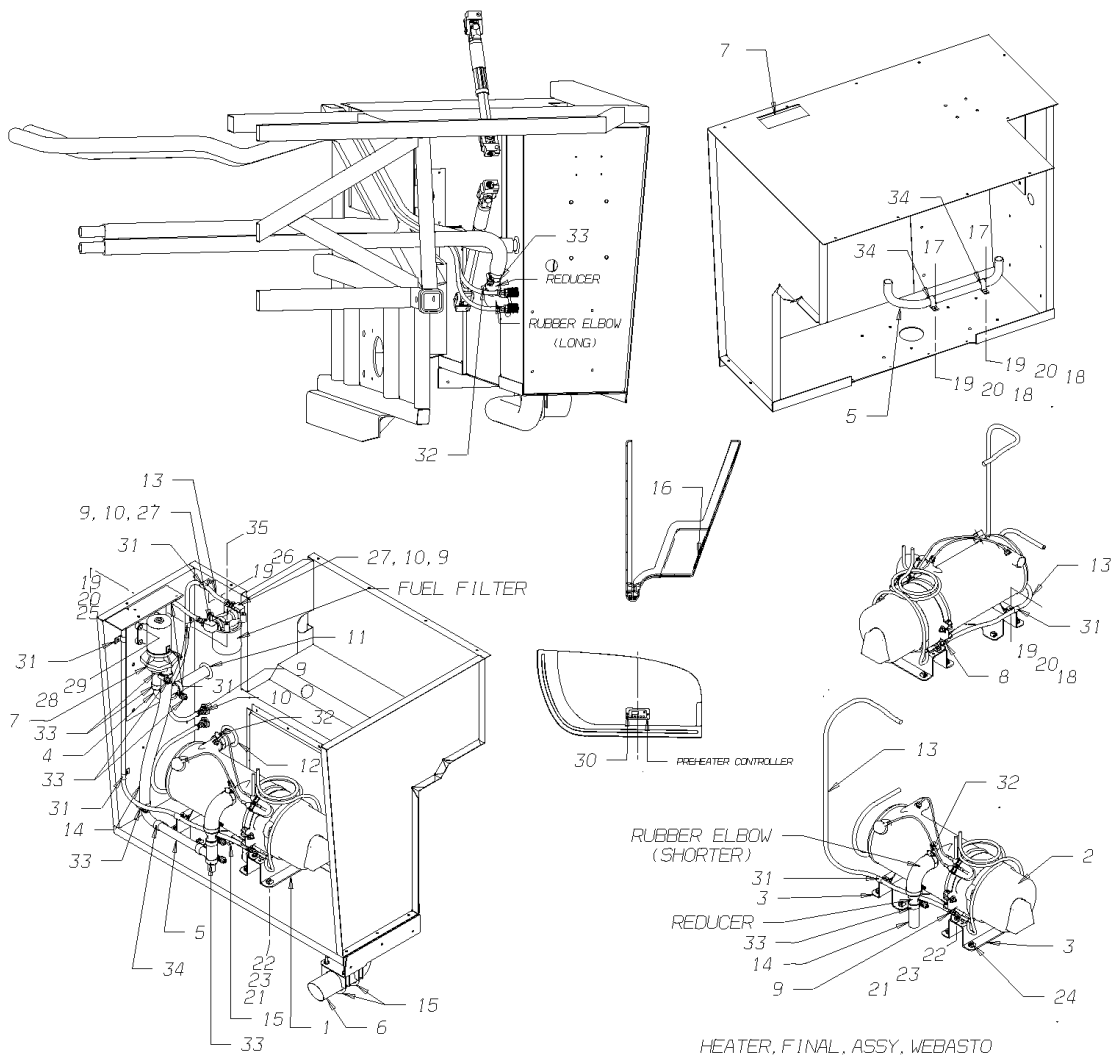


Models: M4RE
AUXILIARY
WEBASTO 230
HEATER BREAKDOWN

Key	PartNumber	Qty	Description	Comment
1			THERMO 230 HEATER - COMPLETE	
2			7-DAY DIGITAL TIMER	
3			FRAME KIT	
4			FILTER HEAD	
5	4280574		ELEMENT,AIR CLEANER,5.9TA,TC2000"	
6			ELBOW 90 DEG RUBBER	
7			ELBOW 90 DEG RUBBER, LONG	
8		2	REDUCER, 1.5 ID TO 1.0 ID	

Models: M4RE
AUXILIARY
WEBASTO 230
HEATER INSTALLATION

Key	PartNumber	Qty	Description	Comment
-----	------------	-----	-------------	---------



**Models: M4RE
AUXILIARY
WEBASTO 230
HEATER INSTALLATION**

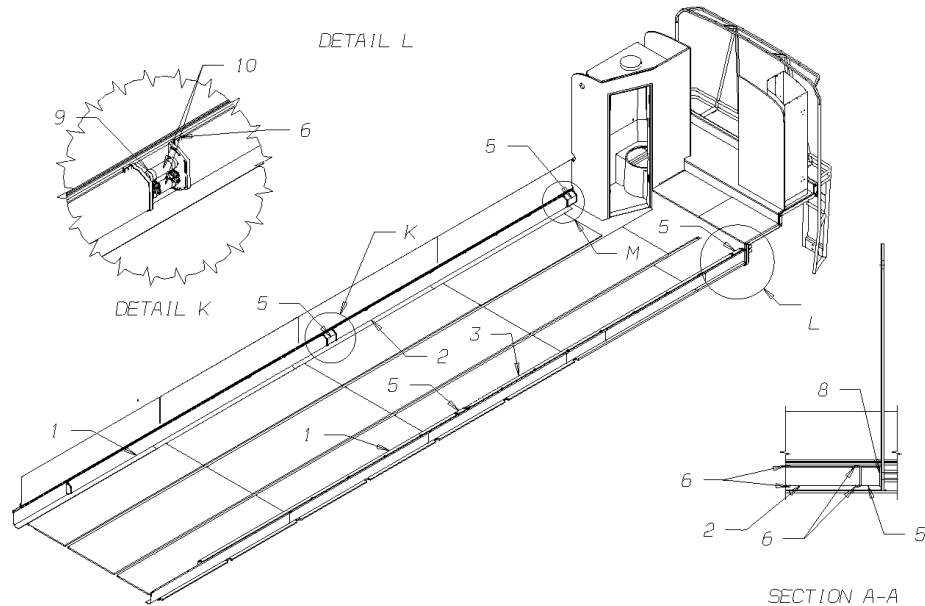
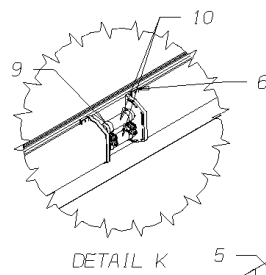
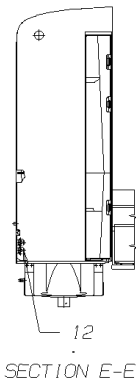
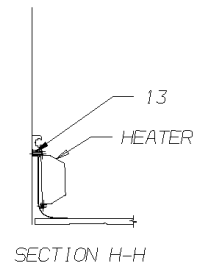
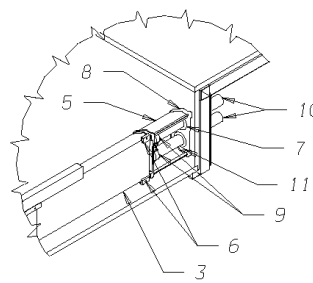
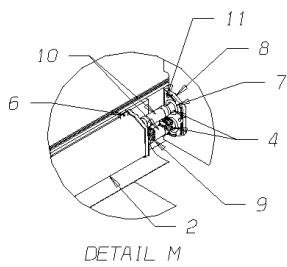
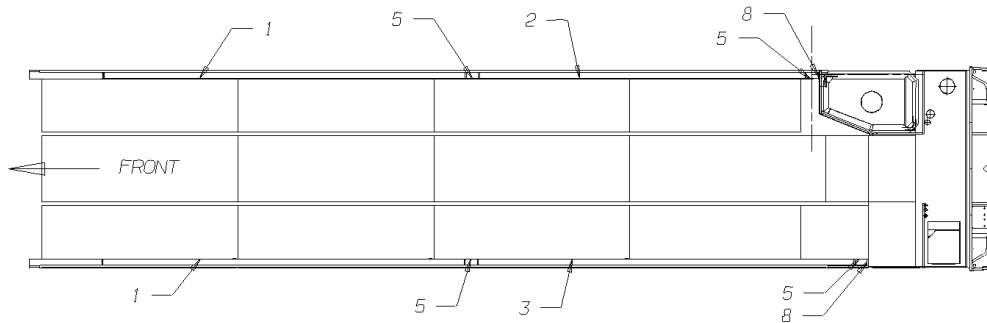
Key	PartNumber	Qty	Description	Comment
1	0065837		HEATER,FINAL,ASSY,WEBASTO,M4RE	
2	0065585		KIT,HEATER,WEBASTO,THERMO 230,M4RE	
3	0065586	2	BRACKET,MTG,PREHEATER,WEBASTO,M4RE	
4	0281303		TUBING,BRASS,ELBOW,90 DEGREE	
5	0065827		TUBE,BRASS,COOLANT,PREHEATER,M4RE	
6	0065702		TUBE,EXHAUST,WEBASTO PREHEATER,M4RE	
7	0058279		PUMP,WATER,AUXILIARY HTR,MP,24 VOLT	
8	0065587		FITTING,SWIVEL,FEM,45FL,1/4H X #6 JIC	
9	0060430	5	FITTING,SWIVEL,FM,45FL,1/4HX1/4T,10004B	
10	0060431	4	FITTING,CONNECTOR,MALE,37 DEG,C5205X4X8	
11	0421792		GROMMET,1 3/4 X 1/16 X 1 1/2	
12	0026853		GROMMET,RUBBER,2.125 I.D.	
13	1797802	12	HOSE,.25 ID X .50 OD,W-H H00904	
14	1143866	3	HOSE,HEATER,1 INCH ID,SILICONE	
15	0048115	3	CLAMP,COMPLETE,EXHAUST,2.75" PIPE	
16	0065441		PLATE,TAPPING,MTG,CONTROLLER,HEATER,	
17	1692664	4	CAPSCREW, HEX FLG,1/4-20 X .75, GR5, YEL	
18	3840832	4	NUT,HEX,1/4-20,ZN3	
19	1991108	13	WASHER,FLAT,17/64 ID X 3/4,YELLOW ZINC	
20	2177301	8	WASHER,LOCK,HELICAL SPRING,1/4,ZN3	
21	1032283	12	CAPSCREW,HEX HD,5/16-18,X,3/4,GR5,	
22	3840881	12	WASHER,FLAT,TYPE A,NARROW,5/16,ZN3	
23	2001188	12	LOCKWASHER,SPLIT RING, 5/16,MED,YEL ZN	

**Models: M4RE
AUXILIARY
WEBASTO 230
HEATER INSTALLATION**

Key	PartNumber	Qty	Description	Comment
24	1647205	8	NUT,CAGE,5/16-18,C-7957-5618-4	
25	1092337	4	CAPSCREW,HEX HD,1/4-20 X 2,GR 5,YEL ZN	
26	2186393	5	SCREW,SM,PH,PN/HD,1/4 X 3/4,TYPE AB,ZN3	
27	2008274	2	ELBOW,STREET,90 DEG,1/2MPT X	
28	3840469	4	SCREW,SM,PH,PN/HD,10-16 X 1 1/4,TYPE AB,	
29	3804895	4	WASHER,FLAT,TYPE A,3/16,304 SS	
30	1925833	2	SCREW,8-18 X 1/2,AB,PH1,PAN HD,BLK ZN	
31	0854612	7	CLAMP,LOOP,.500	
32	0016749	4	CLAMP,CONSTANT TORQUE, 1 1/16 X 2.00,	
33	1894799	8	CLAMP,CONSTANT TORQUE,13/16 TO 1-1/2 DIA	
34	1517168	2	CLAMP,LOOP,.937	
35	1686617	4	PLUSNUT,1/4-20,S25P280	
NI	1363274	6	CLAMP,HOSE,SILICON,.62.00	
NI	2016681	AR	ADHESIVE,CONTACT,CLEAR,C2466-55G-CL	
NI	3851441	2	TIE,CABLE,NYLON,15IN	

Models: M4RE
**CONVECTION HEATING
 INSTALLATION
 40 FT**
With: FEATURE 38102-02

Key	PartNumber	Qty	Description	Comment
-----	------------	-----	-------------	---------

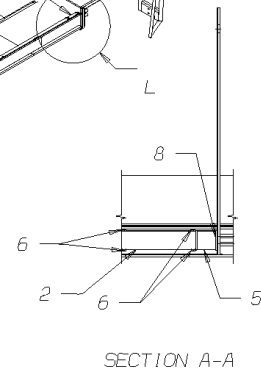
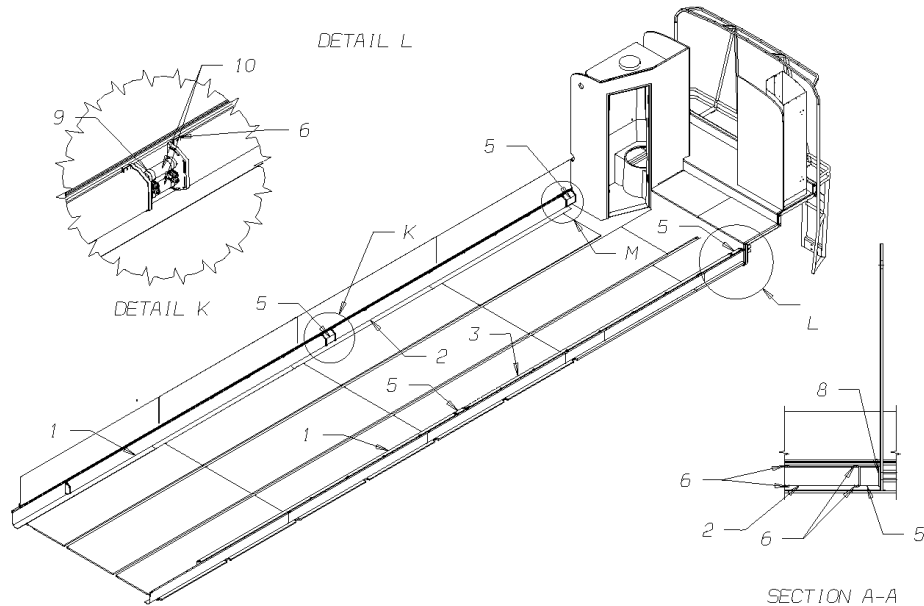
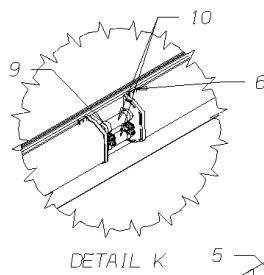
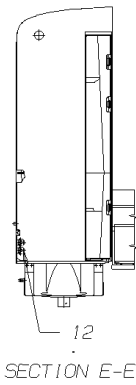
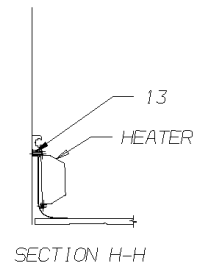
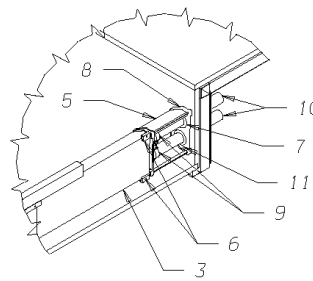
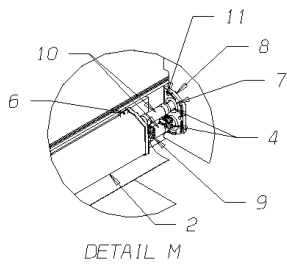
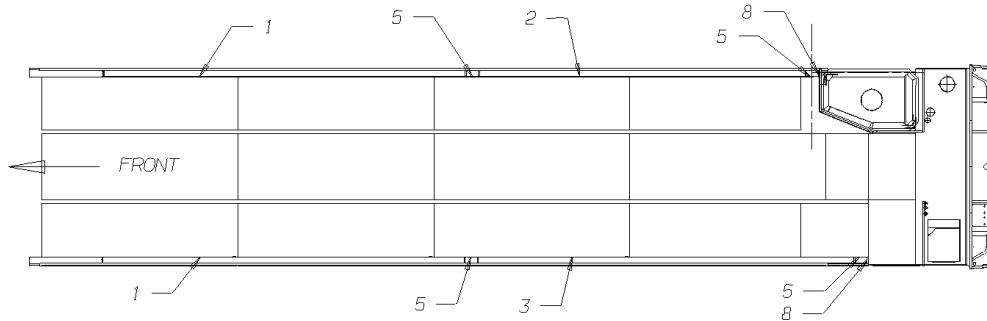


**Models: M4RE
CONVECTION HEATING
INSTALLATION
40 FT
With: FEATURE 38102-02**

Key	PartNumber	Qty	Description	Comment
1	0018575	2	HEATER ASSY,CONVECTION,TYPE 6,177.75	
2	0028138		HEATER ASSY,CONVECTION,TYPE 5,106.25	
3	0028141		HEATER ASSY,CONVECTION,TYPE 5,128.75	
4	0061515	2	PIPE,ASSY,HEATER LINE, M4RE	
5	0061508	4	COVER,ALUM,HEATER HOSE, M4RE	
6	4629846	58	MOUNTING CLIPS,RADIANT HT,VAPOR,	
7	1610450	4	GROMMET,RUBBER,1.38 ID X 1.718 OD	
8	0061636	2	COVER,ABS,END,BASE BOARD HEATER, M4RE	
9	1894799	16	CLAMP,CONSTANT TORQUE,13/16 TO 1-1/2 DIA	
10	1250760	3	HOSE,HEATER,1",GY HI MILER,BLUE W/WHT	
11	3790722	6	SCREW,SM,PH,PN/HD,NO 10 X 1 1/4,TYPE A,SS	
12	2016632	6	SCREW,10-16 X 3/4, AB, PH1, PAN, HD, SST	
13	0065164	31	SPACER,ROUND,.50OD X .25ID X.75 LENGTH,	
NI	1143676	31	SCREW,10-16 X 3/4, AB,PH1,PAN HD,BLK ZN,	
NI	0065166	31	SCREW,PAN HEAD,10-16 X 1.5,AB,PH1,BLK,SST	

Models: M4RE
**CONVECTION HEATING
 INSTALLATION
 40 FT**
With: FEATURE 38102-02 AND FEATURE 38115-03

Key	PartNumber	Qty	Description	Comment
-----	------------	-----	-------------	---------

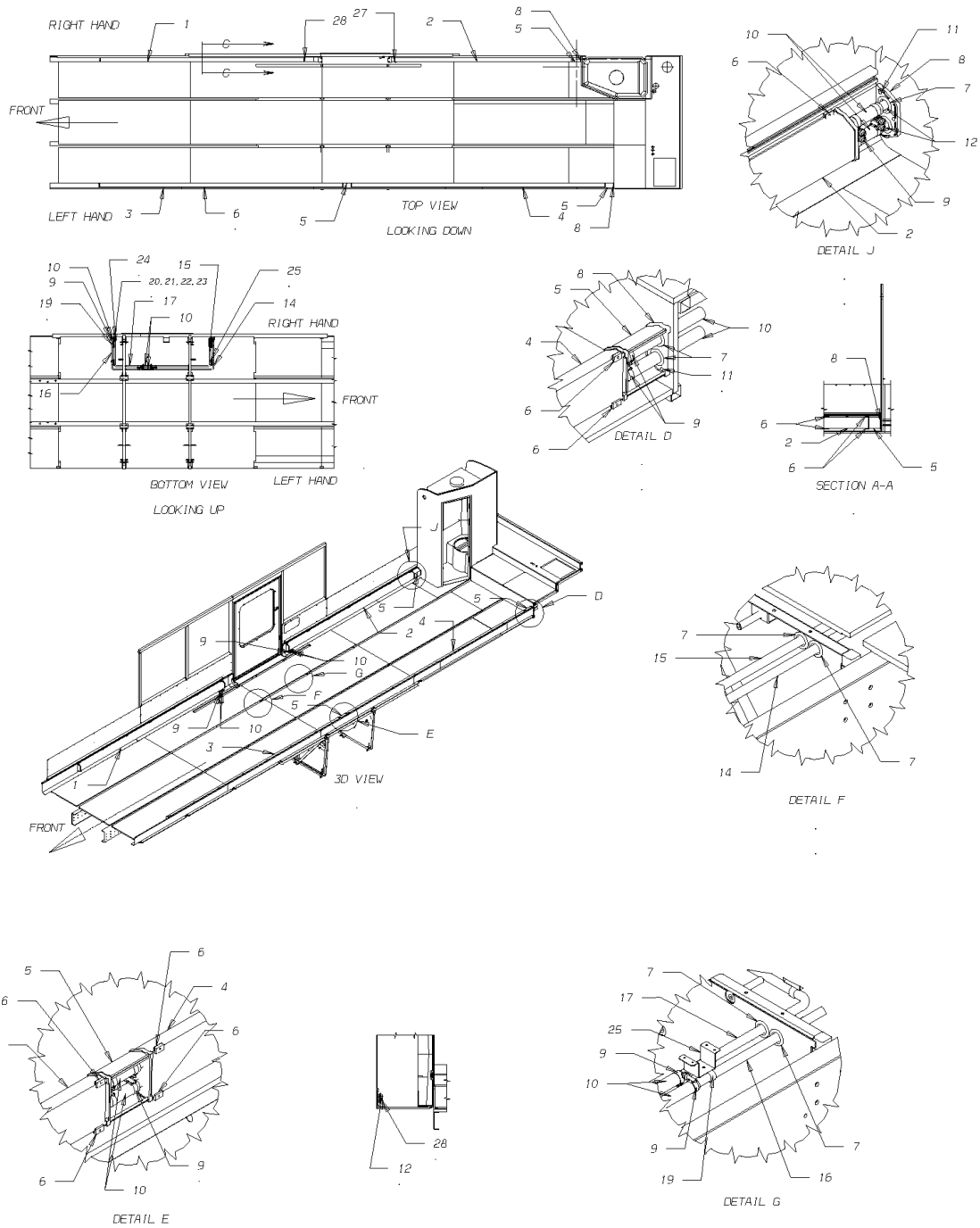


**Models: M4RE
CONVECTION HEATING
INSTALLATION
40 FT**
With: FEATURE 38102-02 AND FEATURE 38115-03

Key	PartNumber	Qty	Description	Comment
1	0018575	2	HEATER ASSY,CONVECTION,TYPE 6,177.75	
2	0028141		HEATER ASSY,CONVECTION,TYPE 5,128.75	
3	0028141		HEATER ASSY,CONVECTION,TYPE 5,128.75	
4	0061515	2	PIPE,ASSY,HEATER LINE, M4RE	
5	0061508	4	COVER,ALUM,HEATER HOSE, M4RE	
6	4629846	58	MOUNTING CLIPS,RADIANT HT,VAPOR,	
7	1610450	4	GROMMET,RUBBER,1.38 ID X 1.718 OD	
8	0061636	2	COVER,ABS,END,BASE BOARD HEATER, M4RE	
9	1894799	16	CLAMP,CONSTANT TORQUE,13/16 TO 1-1/2 DIA	
10	1250760	3	HOSE,HEATER,1",GY HI MILER,BLUE W/WHT	
11	3790722	6	SCREW,SM,PH,PN/HD,NO 10 X 1 1/4,TYPE A,SS	
12	2016632	6	SCREW,10-16 X 3/4, AB, PH1, PAN, HD, SST	
13	0065164	31	SPACER,ROUND,.50OD X .25ID X.75 LENGTH,	
NI	1143676	31	SCREW,10-16 X 3/4, AB,PH1,PAN HD,BLK ZN,	
NI	0065166	31	SCREW,PAN HEAD,10-16 X 1.5,AB,PH1,BLK,SST	

Models: M4RE
**CONVECTION HEATING
 INSTALLATION
 40 FT WITH ADA**
With: FEATURE 38102-02 AND FEATURE 38101-02

Key	PartNumber	Qty	Description	Comment
-----	------------	-----	-------------	---------



Models: M4RE
**CONVECTION HEATING
 INSTALLATION
 40 FT WITH ADA**
With: FEATURE 38102-02 AND FEATURE 38101-02

Key	PartNumber	Qty	Description	Comment
1	0068287		HEATER ASSY,CONVECTION,TYPE 10,101.00	
2	0068288		HEATER ASSY,CONVECTION,TYPE 7,129.50	
3	0018575		HEATER ASSY,CONVECTION,TYPE 6,177.75	
4	0028141		HEATER ASSY,CONVECTION,TYPE 5,128.75	
5	0061508	3	COVER,ALUM,HEATER HOSE, M4RE	
6	4629846	54	MOUNTING CLIPS,RADIANT HT,VAPOR,	
7	1610450	8	GROMMET,RUBBER,1.38 ID X 1.718 OD	
8	0061636	2	COVER,ABS,END,BASE BOARD HEATER, M4RE	
9	1894799	22	CLAMP,CONSTANT TORQUE,13/16 TO 1-1/2 DIA	
10	1250760	5	HOSE,HEATER,1",GY HI MILER,BLUE W/WHT	
11	3790722	6	SCREW,SM,PH,PN/HD,NO 10 X 1 1/4,TYPE A,SS	
12	0061515	2	PIPE,ASSY,HEATER LINE, M4RE	
13	0065164	27	SPACER,ROUND,.50OD X .25ID X.75 LENGTH,	
14	0068291		TUBE,BRASS,HEATER,ADA DR,FRT,LONG,M4RE	
15	0068292		TUBE,BRASS,HEATER,ADA DR,FRT,SHORT,M4RE	
16	0068293		TUBE,BRASS,HEATER,ADA DR,RR,LONG,M4RE	
17	0068294		TUBE,BRASS,HEATER,ADA DR,RR,SHORT,M4RE	
18	3893757	24	SCREW,TEKS/3,PH,PN/HD,NO 10-24 X 3/4,ZN3	
19	1517168	12	CLAMP,LOOP,.937	
20	1692664	12	CAPSCREW, HEX FLG,1/4-20 X .75, GR5, YEL	
21	3840832	12	NUT,HEX,1/4-20,ZN3	
22	1991108	12	WASHER,FLAT,17/64 ID X 3/4,YELLOW ZINC	
23	2177301	12	WASHER,LOCK,HELICAL SPRING,1/4,ZN3	

**Models: M4RE
CONVECTION HEATING
INSTALLATION
40 FT WITH ADA**

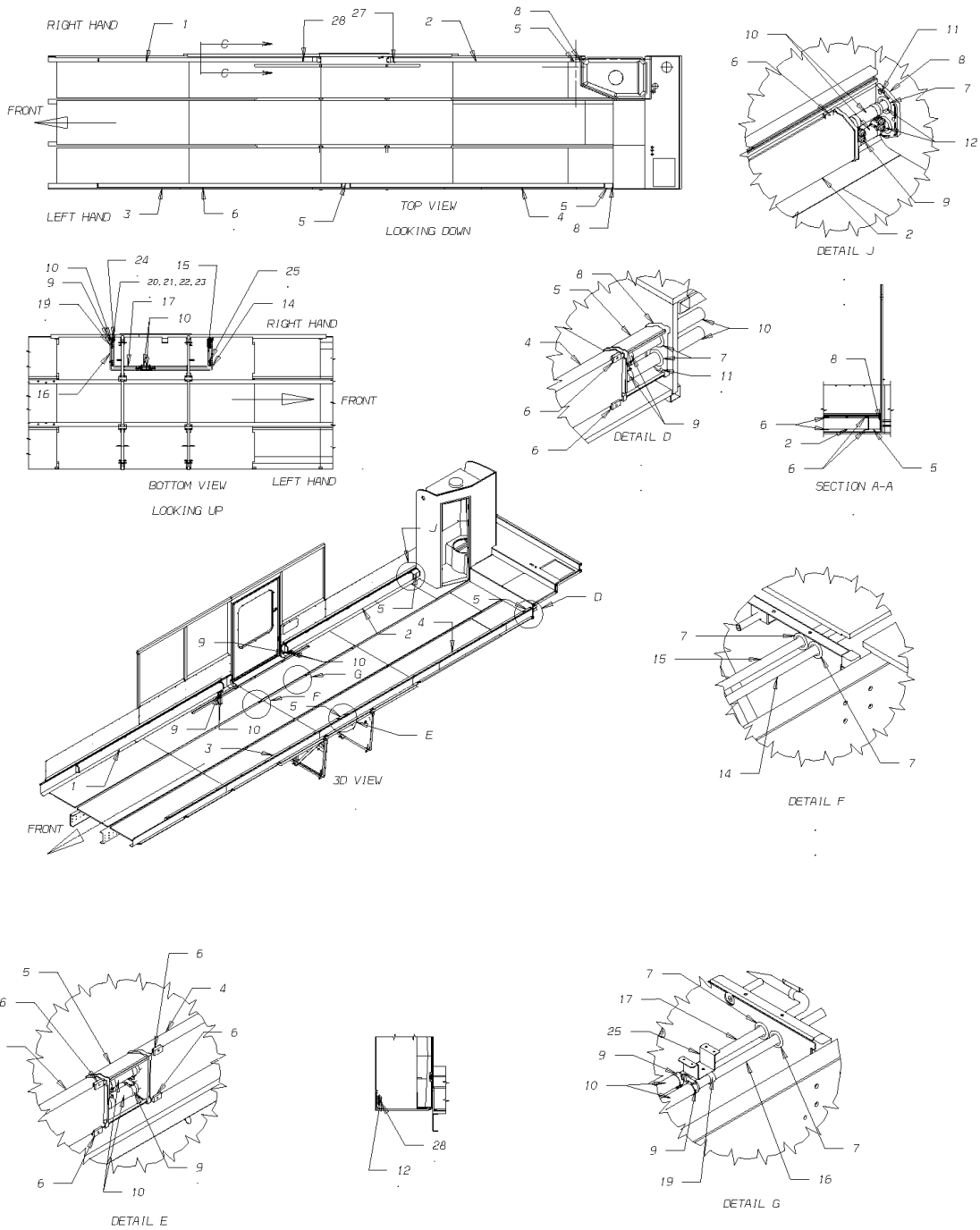
With: FEATURE 38102-02 AND FEATURE 38101-02

Key	PartNumber	Qty	Description	Comment
24	0421792	4	GROMMET,1 3/4 X 1/16 X 1 1/2	
25	0068290	6	BRACKET,MTG,TUBE,BRASS,HEATER,ADA DR,	
26	0013061		COVER,HEATER,BASE BOARD,RR,ADA DOOR,	
27	0013059		COVER,HEATER,BASE BOARD,FRT,ADA DOOR,	
28	1143676	33	SCREW,10-16 X 3/4, AB,PH1,PAN HD,BLK ZN,	
NI	0065166	27	SCREW,PAN HEAD,10-16 X 1.5,AB,PH1,BLK,SST	
NI	3805405	4	SCREW,SM,PH,PN/HD,8-18 X 1/2,TYPE AB,ZN3	

Models: M4RE
**CONVECTION HEATING
 INSTALLATION**

With: FEATURE 38102-02 AND FEATURE 38101-02 AND FEATURE 38115-03

Key	PartNumber	Qty	Description	Comment
-----	------------	-----	-------------	---------



**Models: M4RE
CONVECTION HEATING
INSTALLATION
40 FT WITH ADA**

With: FEATURE 38102-02 AND FEATURE 38101-02 AND FEATURE 38115-03

Key	PartNumber	Qty	Description	Comment
1	0068287		HEATER ASSY,CONVECTION,TYPE 10,101.00	
2	0068289		HEATER ASSY,CONVECTION,TYPE 7,153.50	
3	0018575		HEATER ASSY,CONVECTION,TYPE 6,177.75	
4	0028141		HEATER ASSY,CONVECTION,TYPE 5,128.75	
5	0061508	3	COVER,ALUM,HEATER HOSE, M4RE	
6	4629846	56	MOUNTING CLIPS,RADIANT HT,VAPOR,	
7	1610450	8	GROMMET,RUBBER,1.38 ID X 1.718 OD	
8	0061636	2	COVER,ABS,END,BASE BOARD HEATER, M4RE	
9	1894799	22	CLAMP,CONSTANT TORQUE,13/16 TO 1-1/2 DIA	
10	1250760	5	HOSE,HEATER,1",GY HI MILER,BLUE W/WHT	
11	3790722	6	SCREW,SM,PH,PN/HD,NO 10 X 1 1/4,TYPE A,SS	
12	0061515	2	PIPE,ASSY,HEATER LINE, M4RE	
13	0065164	28	SPACER,ROUND,.50OD X .25ID X.75 LENGTH,	
14	0068291		TUBE,BRASS,HEATER,ADA DR,FRT,LONG,M4RE	
15	0068292		TUBE,BRASS,HEATER,ADA DR,FRT,SHORT,M4RE	
16	0068293		TUBE,BRASS,HEATER,ADA DR,RR,LONG,M4RE	
17	0068294		TUBE,BRASS,HEATER,ADA DR,RR,SHORT,M4RE	
18	3893757	24	SCREW,TEKS/3,PH,PN/HD,NO 10-24 X 3/4,ZN3	
19	1517168	12	CLAMP,LOOP,.937	
20	1692664	12	CAPSCREW, HEX FLG,1/4-20 X .75, GR5, YEL	
21	3840832	12	NUT,HEX,1/4-20,ZN3	
22	1991108	12	WASHER,FLAT,17/64 ID X 3/4,YELLOW ZINC	
23	2177301	12	WASHER,LOCK,HELICAL SPRING,1/4,ZN3	

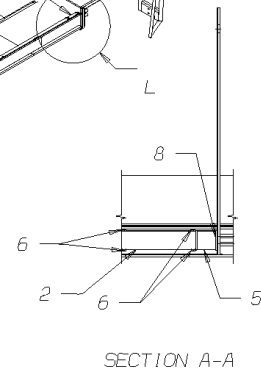
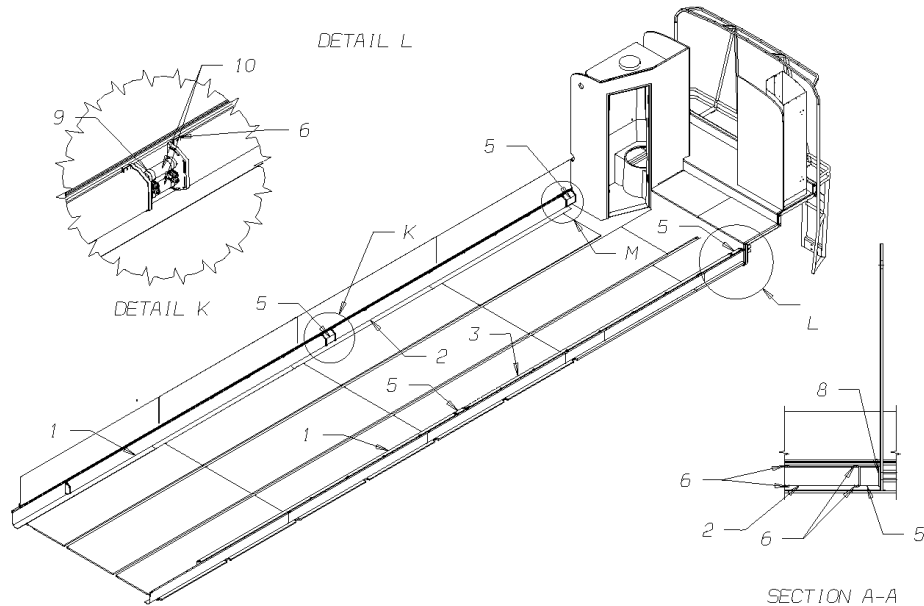
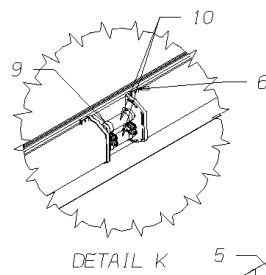
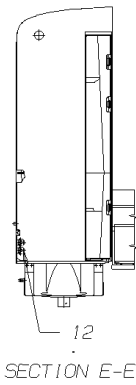
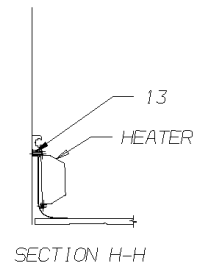
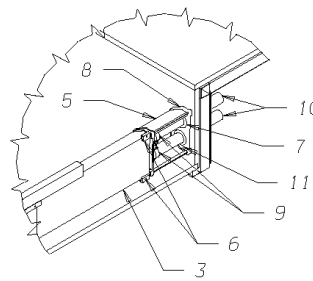
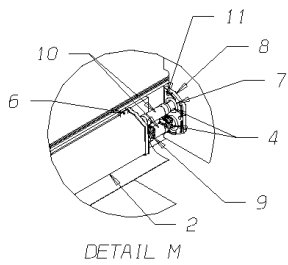
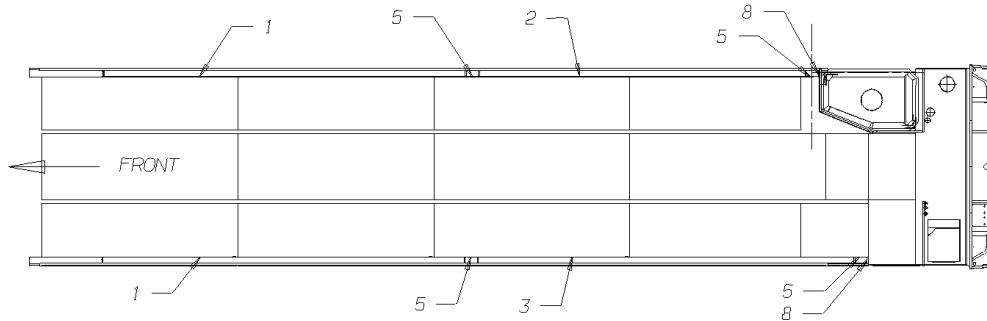
**Models: M4RE
CONVECTION HEATING
INSTALLATION
40 FT WITH ADA**

With: FEATURE 38102-02 AND FEATURE 38101-02 AND FEATURE 38115-03

Key	PartNumber	Qty	Description	Comment
24	0421792	4	GROMMET,1 3/4 X 1/16 X 1 1/2	
25	0068290	6	BRACKET,MTG,TUBE,BRASS,HEATER,ADA DR,	
26	0013061		COVER,HEATER,BASE BOARD,RR,ADA DOOR,	
27	0013059		COVER,HEATER,BASE BOARD,FRT,ADA DOOR,	
28	1143676	34	SCREW,10-16 X 3/4, AB,PH1,PAN HD,BLK ZN,	
NI	0065166	28	SCREW,PAN HEAD,10-16 X 1.5,AB,PH1,BLK,SST	
NI	3805405	4	SCREW,SM,PH,PN/HD,8-18 X 1/2,TYPE AB,ZN3	

Models: M4RE
CONVECTION HEATING
INSTALLATION
45 FT
With: FEATURE 38102-02

Key	PartNumber	Qty	Description	Comment
-----	------------	-----	-------------	---------

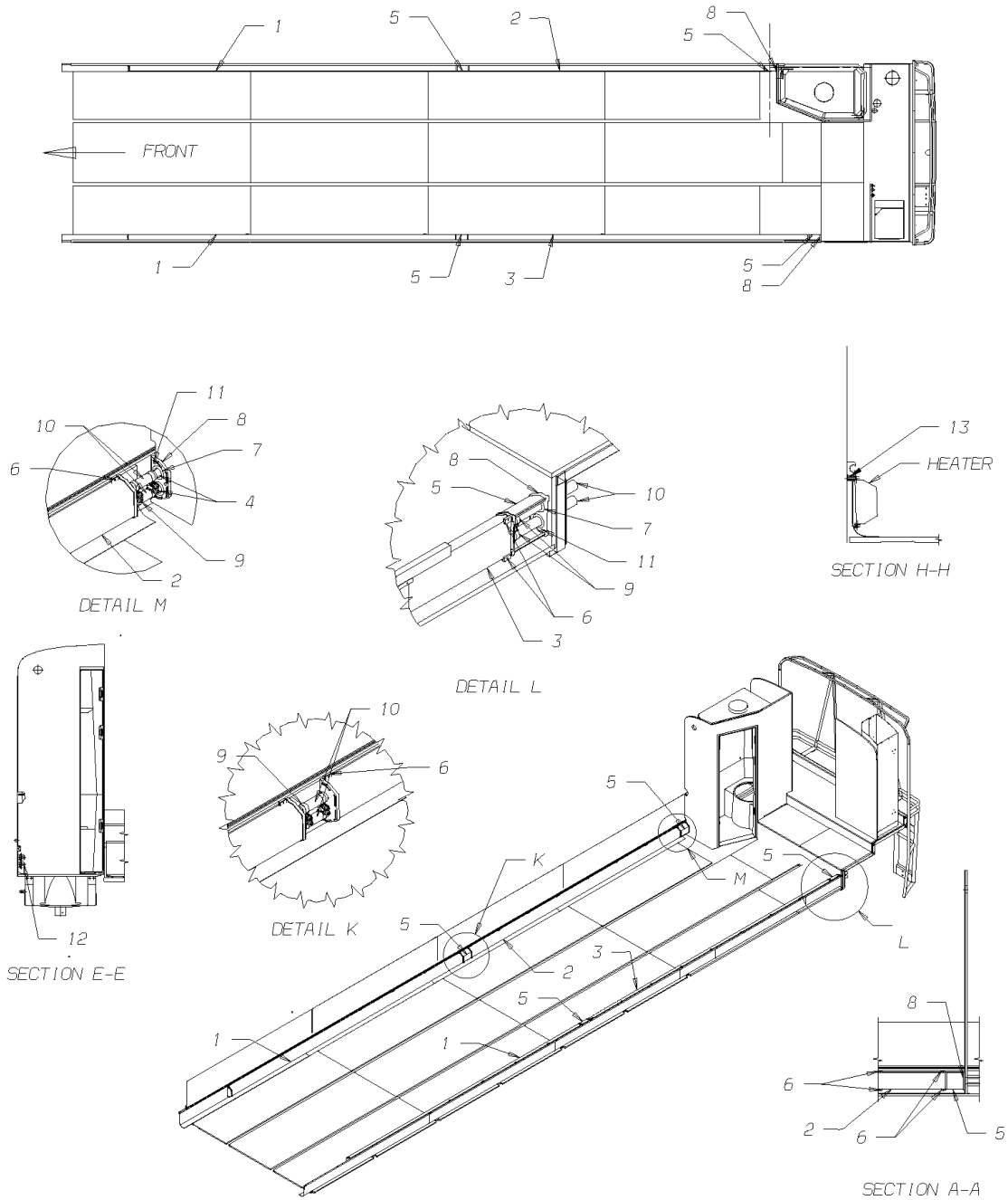


**Models: M4RE
CONVECTION HEATING
INSTALLATION
45 FT
With: FEATURE 38102-02**

Key	PartNumber	Qty	Description	Comment
1	0018575	2	HEATER ASSY,CONVECTION,TYPE 6,177.75	
2	0061426		HEATER ASSY,CONVECTION,TYPE 5,160.50	
3	0061427		HEATER ASSY,CONVECTION,TYPE 5,185.00	
4	0061515	2	PIPE,ASSY,HEATER LINE, M4RE	
5	0061508	4	COVER,ALUM,HEATER HOSE, M4RE	
6	4629846	66	MOUNTING CLIPS,RADIANT HT,VAPOR,	
7	1610450	4	GROMMET,RUBBER,1.38 ID X 1.718 OD	
8	0061636	2	COVER,ABS,END,BASE BOARD HEATER, M4RE	
9	1894799	16	CLAMP,CONSTANT TORQUE,13/16 TO 1-1/2 DIA	
10	1250760	3	HOSE,HEATER,1",GY HI MILER,BLUE W/WHT	
11	3790722	6	SCREW,SM,PH,PN/HD,NO 10 X 1 1/4,TYPE A,SS	
12	2016632	6	SCREW,10-16 X 3/4, AB, PH1, PAN, HD, SST	
13	0065164	33	SPACER,ROUND,.50OD X .25ID X.75 LENGTH,	
NI	1143676	33	SCREW,10-16 X 3/4, AB,PH1,PAN HD,BLK ZN,	
NI	0065166	33	SCREW,PAN HEAD,10-16 X 1.5,AB,PH1,BLK,SST	

Models: M4RE
CONVECTION HEATING
INSTALLATION
45 FT
With: FEATURE 38102-02 AND FEATURE 38115-03

Key	PartNumber	Qty	Description	Comment
-----	------------	-----	-------------	---------



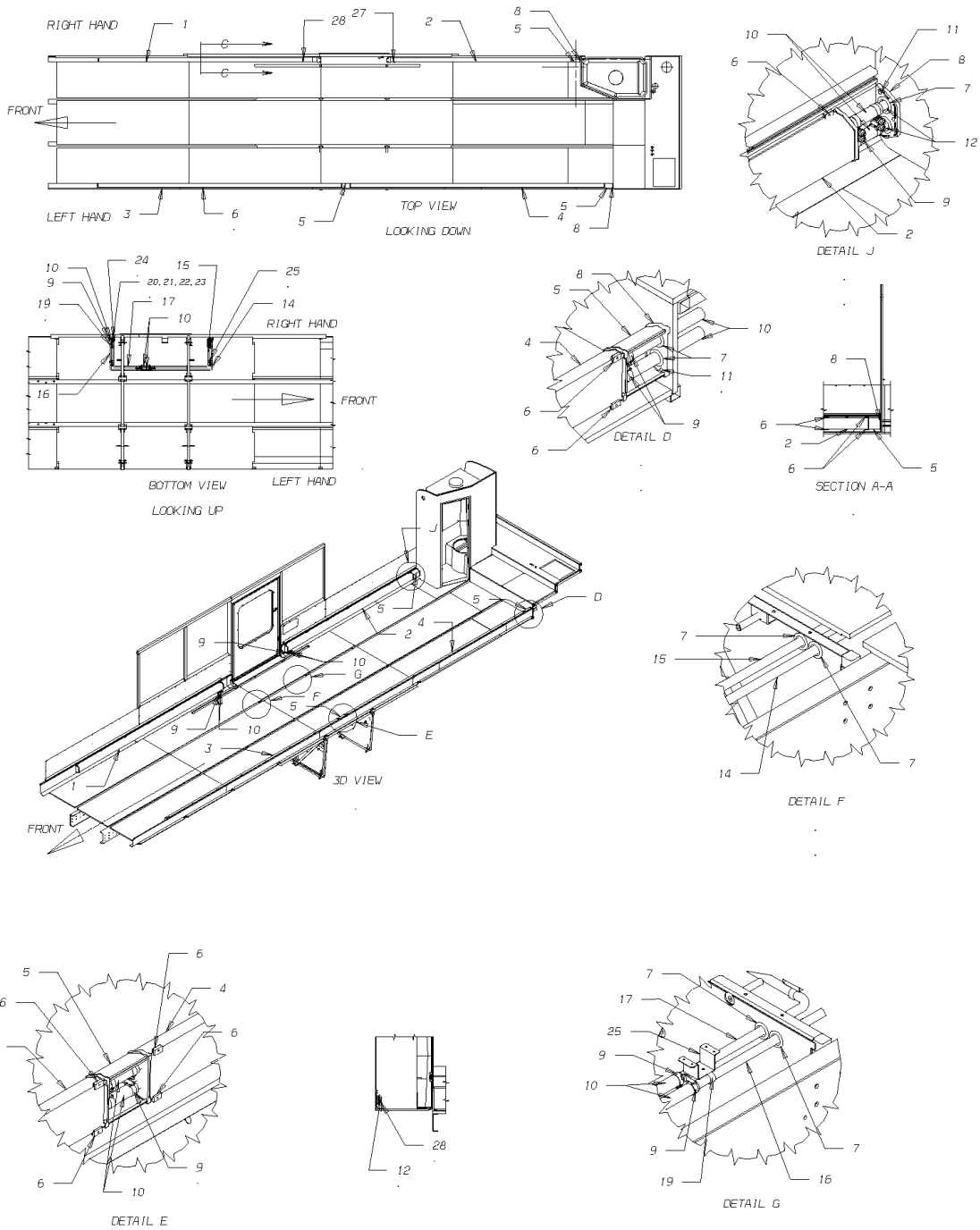
**Models: M4RE
CONVECTION HEATING
INSTALLATION
45 FT**

With: FEATURE 38102-02 AND FEATURE 38115-03

Key	PartNumber	Qty	Description	Comment
1	0018575	2	HEATER ASSY,CONVECTION,TYPE 6,177.75	
2	0061427		HEATER ASSY,CONVECTION,TYPE 5,185.00	
3	0061427		HEATER ASSY,CONVECTION,TYPE 5,185.00	
4	0061515	2	PIPE,ASSY,HEATER LINE, M4RE	
5	0061508	4	COVER,ALUM,HEATER HOSE, M4RE	
6	4629846	66	MOUNTING CLIPS,RADIANT HT,VAPOR,	
7	1610450	4	GROMMET,RUBBER,1.38 ID X 1.718 OD	
8	0061636	2	COVER,ABS,END,BASE BOARD HEATER, M4RE	
9	1894799	16	CLAMP,CONSTANT TORQUE,13/16 TO 1-1/2 DIA	
10	1250760	3	HOSE,HEATER,1",GY HI MILER,BLUE W/WHT	
11	3790722	6	SCREW,SM,PH,PN/HD,NO 10 X 1 1/4,TYPE A,SS	
12	2016632	6	SCREW,10-16 X 3/4, AB, PH1, PAN, HD, SST	
13	0065164	33	SPACER,ROUND,.50OD X .25ID X.75 LENGTH,	
NI	1143676	33	SCREW,10-16 X 3/4, AB,PH1,PAN HD,BLK ZN,	
NI	0065166	33	SCREW,PAN HEAD,10-16 X 1.5,AB,PH1,BLK,SST	

Models: M4RE
**CONVECTION HEATING
 INSTALLATION
 45 FT WITH ADA**
With: FEATURE 38102-02 AND FEATURE 38101-02

Key	PartNumber	Qty	Description	Comment
-----	------------	-----	-------------	---------



Models: M4RE
**CONVECTION HEATING
 INSTALLATION
 45 FT WITH ADA**
With: FEATURE 38102-02 AND FEATURE 38101-02

Key	PartNumber	Qty	Description	Comment
1	0068286		HEATER ASSY,CONVECTION,TYPE 10,149.00	
2	0068288		HEATER ASSY,CONVECTION,TYPE 7,129.50	
3	0018575		HEATER ASSY,CONVECTION,TYPE 6,177.75	
4	0061427		HEATER ASSY,CONVECTION,TYPE 5,185.00	
5	0061508	3	COVER,ALUM,HEATER HOSE, M4RE	
6	4629846	62	MOUNTING CLIPS,RADIANT HT,VAPOR,	
7	1610450	8	GROMMET,RUBBER,1.38 ID X 1.718 OD	
8	0061636	2	COVER,ABS,END,BASE BOARD HEATER, M4RE	
9	1894799	22	CLAMP,CONSTANT TORQUE,13/16 TO 1-1/2 DIA	
10	1250760	5	HOSE,HEATER,1",GY HI MILER,BLUE W/WHT	
11	3790722	6	SCREW,SM,PH,PN/HD,NO 10 X 1 1/4,TYPE A,SS	
12	0061515	2	PIPE,ASSY,HEATER LINE, M4RE	
13	0065164	31	SPACER,ROUND,.50OD X .25ID X.75 LENGTH,	
14	0068291		TUBE,BRASS,HEATER,ADA DR,FRT,LONG,M4RE	
15	0068292		TUBE,BRASS,HEATER,ADA DR,FRT,SHORT,M4RE	
16	0068293		TUBE,BRASS,HEATER,ADA DR,RR,LONG,M4RE	
17	0068294		TUBE,BRASS,HEATER,ADA DR,RR,SHORT,M4RE	
18	3893757	24	SCREW,TEKS/3,PH,PN/HD,NO 10-24 X 3/4,ZN3	
19	1517168	12	CLAMP,LOOP,.937	
20	1692664	12	CAPSCREW, HEX FLG,1/4-20 X .75, GR5, YEL	
21	3840832	12	NUT,HEX,1/4-20,ZN3	
22	1991108	12	WASHER,FLAT,17/64 ID X 3/4,YELLOW ZINC	
23	2177301	12	WASHER,LOCK,HELICAL SPRING,1/4,ZN3	

**Models: M4RE
CONVECTION HEATING
INSTALLATION
45 FT WITH ADA**

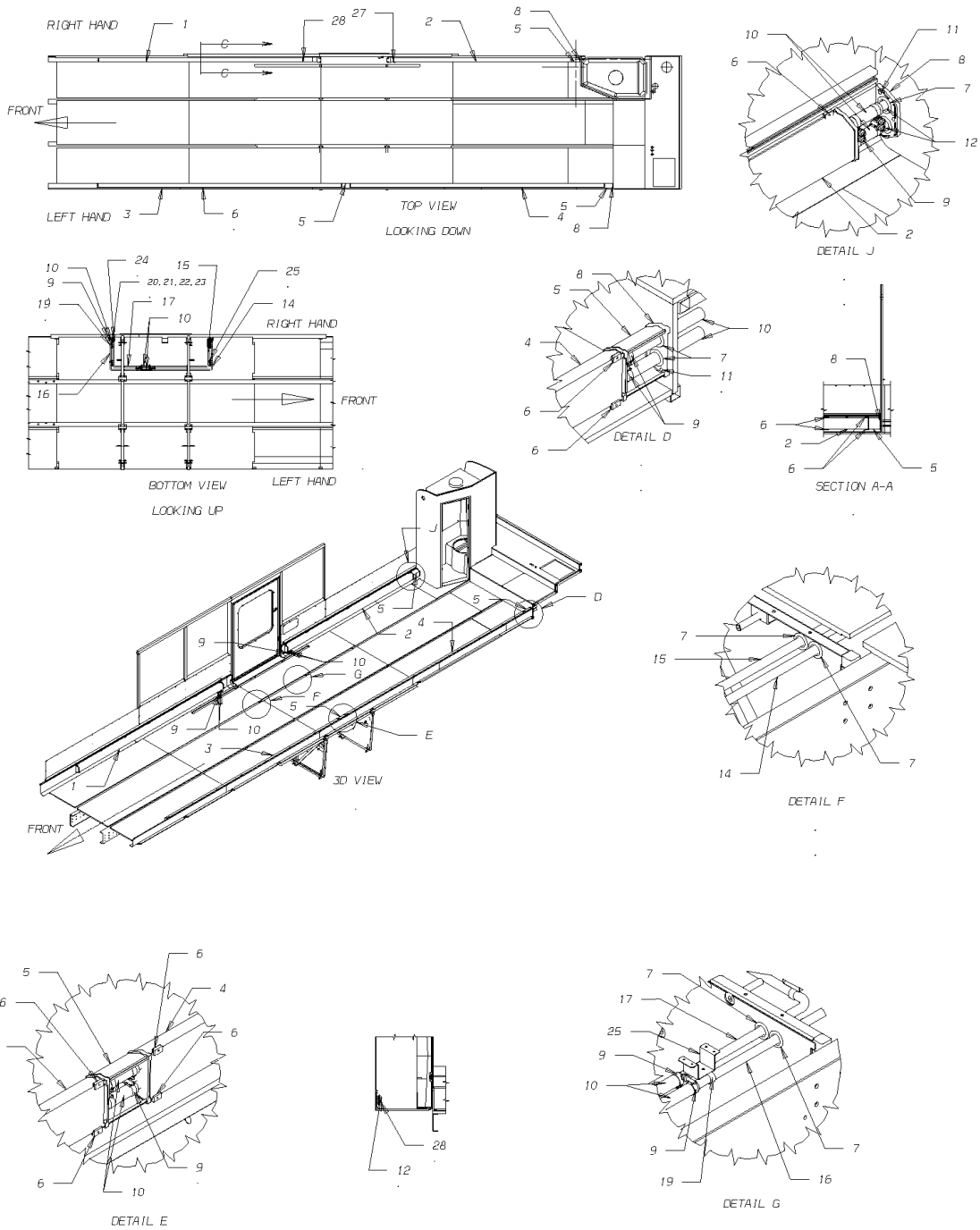
With: FEATURE 38102-02 AND FEATURE 38101-02

Key	PartNumber	Qty	Description	Comment
24	0421792	4	GROMMET,1 3/4 X 1/16 X 1 1/2	
25	0068290	6	BRACKET,MTG,TUBE,BRASS,HEATER,ADA DR,	
26	0013061		COVER,HEATER,BASE BOARD,RR,ADA DOOR,	
27	0013059		COVER,HEATER,BASE BOARD,FRT,ADA DOOR,	
28	1143676	37	SCREW,10-16 X 3/4, AB,PH1,PAN HD,BLK ZN,	
NI	0065166	31	SCREW,PAN HEAD,10-16 X 1.5,AB,PH1,BLK,SST	
NI	3805405	4	SCREW,SM,PH,PN/HD,8-18 X 1/2,TYPE AB,ZN3	

**Models: M4RE
CONVECTION HEATING
INSTALLATION**

With: FEATURE 38102-02 AND FEATURE 38101-02 AND FEATURE 38115-03

Key	PartNumber	Qty	Description	Comment
-----	------------	-----	-------------	---------



Models: M4RE
**CONVECTION HEATING
 INSTALLATION
 45 FT WITH ADA**
With: FEATURE 38102-02 AND FEATURE 38101-02 AND FEATURE 38115-03

Key	PartNumber	Qty	Description	Comment
1	0068286		HEATER ASSY,CONVECTION,TYPE 10,149.00	
2	0068289		HEATER ASSY,CONVECTION,TYPE 7,153.50	
3	0018575		HEATER ASSY,CONVECTION,TYPE 6,177.75	
4	0061427		HEATER ASSY,CONVECTION,TYPE 5,185.00	
5	0061508	3	COVER,ALUM,HEATER HOSE, M4RE	
6	4629846	64	MOUNTING CLIPS,RADIANT HT,VAPOR,	
7	1610450	8	GROMMET,RUBBER,1.38 ID X 1.718 OD	
8	0061636	2	COVER,ABS,END,BASE BOARD HEATER, M4RE	
9	1894799	2	CLAMP,CONSTANT TORQUE,13/16 TO 1-1/2 DIA	
10	1250760	5	HOSE,HEATER,1",GY HI MILER,BLUE W/WHT	
11	3790722	6	SCREW,SM,PH,PN/HD,NO 10 X 1 1/4,TYPE A,SS	
12	0061515	2	PIPE,ASSY,HEATER LINE, M4RE	
13	0065164	32	SPACER,ROUND,.50OD X .25ID X.75 LENGTH,	
14	0068291		TUBE,BRASS,HEATER,ADA DR,FRT,LONG,M4RE	
15	0068292		TUBE,BRASS,HEATER,ADA DR,FRT,SHORT,M4RE	
16	0068293		TUBE,BRASS,HEATER,ADA DR,RR,LONG,M4RE	
17	0068294		TUBE,BRASS,HEATER,ADA DR,RR,SHORT,M4RE	
18	3893757	24	SCREW,TEKS/3,PH,PN/HD,NO 10-24 X 3/4,ZN3	
19	1517168	12	CLAMP,LOOP,.937	
20	1692664	12	CAPSCREW, HEX FLG,1/4-20 X .75, GR5, YEL	
21	3840832	12	NUT,HEX,1/4-20,ZN3	
22	1991108	12	WASHER,FLAT,17/64 ID X 3/4,YELLOW ZINC	
23	2177301	12	WASHER,LOCK,HELICAL SPRING,1/4,ZN3	

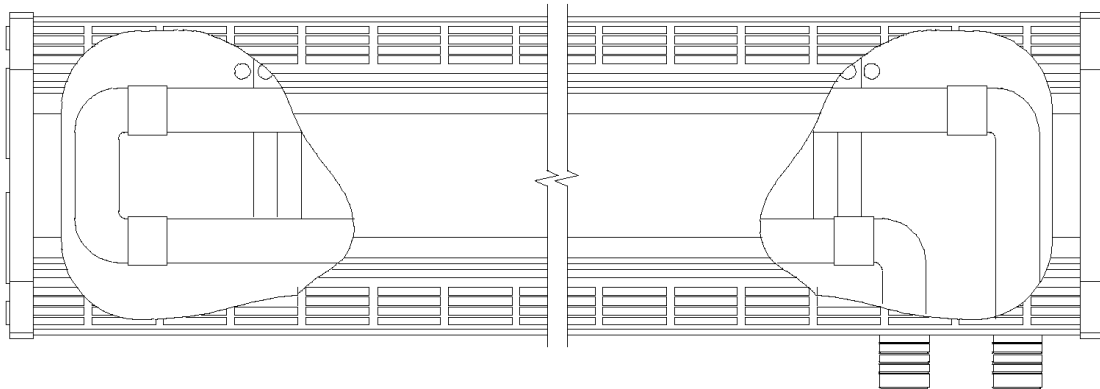
**Models: M4RE
CONVECTION HEATING
INSTALLATION
45 FT WITH ADA**

With: FEATURE 38102-02 AND FEATURE 38101-02 AND FEATURE 38115-03

Key	PartNumber	Qty	Description	Comment
24	0421792	4	GROMMET,1 3/4 X 1/16 X 1 1/2	
25	0068290	6	BRACKET,MTG,TUBE,BRASS,HEATER,ADA DR,	
26	0013061		COVER,HEATER,BASE BOARD,RR,ADA DOOR,	
27	0013059		COVER,HEATER,BASE BOARD,FRT,ADA DOOR,	
28	1143676	38	SCREW,10-16 X 3/4, AB,PH1,PAN HD,BLK ZN,	
NI	0065166	32	SCREW,PAN HEAD,10-16 X 1.5,AB,PH1,BLK,SST	
NI	3805405	4	SCREW,SM,PH,PN/HD,8-18 X 1/2,TYPE AB,ZN3	

Models: A1VC, A3FE, BBCV, B1VC, B2VC, C4RE, GMCV, M4RE, SBCV, TCFE
CONVECTION HEATING
TYPE 10
With: FEATURE 30059

Key	PartNumber	Qty	Description	Comment
-----	------------	-----	-------------	---------

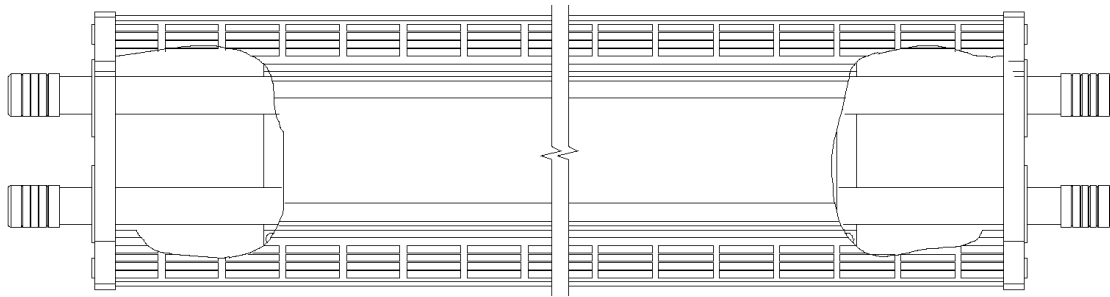


Models: A1VC, A3FE, BBCV, B1VC, B2VC, C4RE, GMCV, M4RE, SBCV, TCVE
CONVECTION HEATING
TYPE 10
With: FEATURE 30059

Key	PartNumber	Qty	Description	Comment
			HEATER ASSEMBLY, CONVECTION TYPE 10	
	0054314		HEATER ASSY,CONVECTION,TYPE 10,47.17	
	0054026		HEATER ASSY,CONVECTION,TYPE 10,67.17	
	0039921		HEATER ASSY,CONVECTION,TYPE 10,104.15	
	0052926		HEATER ASSY,CONVECTION,TYPE 10,151.40	
	0068286		HEATER ASSY,CONVECTION,TYPE 10,149.00	
	0068287		HEATER ASSY,CONVECTION,TYPE 10,101.00	

Models: A1VC, A3FE, BBCV, B1VC, B2VC, C4RE, GMCV, M4RE, SBCV, TCFE
CONVECTION HEATING
TYPE 5
With: FEATURE 30059

Key	PartNumber	Qty	Description	Comment
-----	------------	-----	-------------	---------

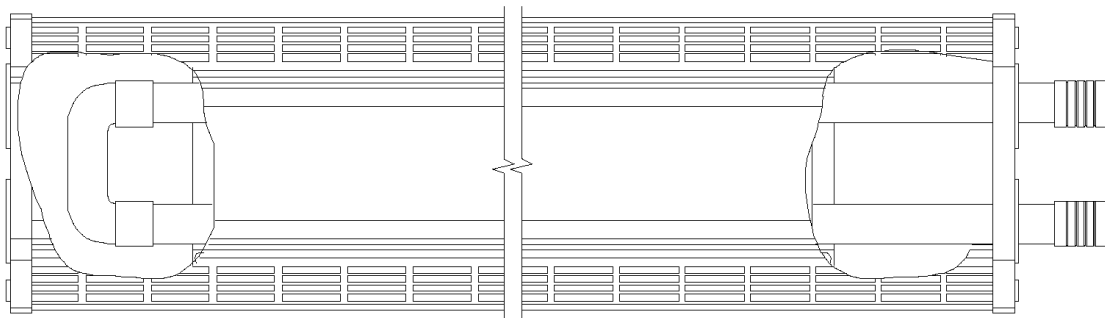


Models: A1VC, A3FE, BBCV, B1VC, B2VC, C4RE, GMCV, M4RE, SBCV, TCFE
CONVECTION HEATING
TYPE 5
With: FEATURE 30059

Key	PartNumber	Qty	Description	Comment
			HEATER ASSEMBLY, CONVECTION TYPE 5	
	0028135		HEATER ASSY,CONVECTION,TYPE 5,65.75	
	0028136		HEATER ASSY,CONVECTION,TYPE 5,72.75	
	0029456		HEATER ASSY,CONVECTION,TYPE 5,86.75	
	0028137		HEATER ASSY,CONVECTION,TYPE 5,92.75	
	0028138		HEATER ASSY,CONVECTION,TYPE 5,106.25	
	0028139		HEATER ASSY,CONVECTION,TYPE 5,114.75	
	0028141		HEATER ASSY,CONVECTION,TYPE 5,128.75	
	0023643		HEATER ASSY,CONVECTION,TYPE 5,149.75	
	0018568		HEATER ASSY,CONVECTION,TYPE 5,156.75	
	0018574		HEATER ASSY,CONVECTION,TYPE 5,169.25	
	0023646		HEATER ASSY,CONVECTION,TYPE 5,170.75	
	0061426		HEATER ASSY,CONVECTION,TYPE 5,160.50	
	0061427		HEATER ASSY,CONVECTION,TYPE 5,185.00	

Models: A1VC, A3FE, BBCV, B1VC, B2VC, C4RE, GMCV, M4RE, SBCV, TCFE
CONVECTION HEATING
TYPE 6
With: FEATURE 30059

Key	PartNumber	Qty	Description	Comment
-----	------------	-----	-------------	---------

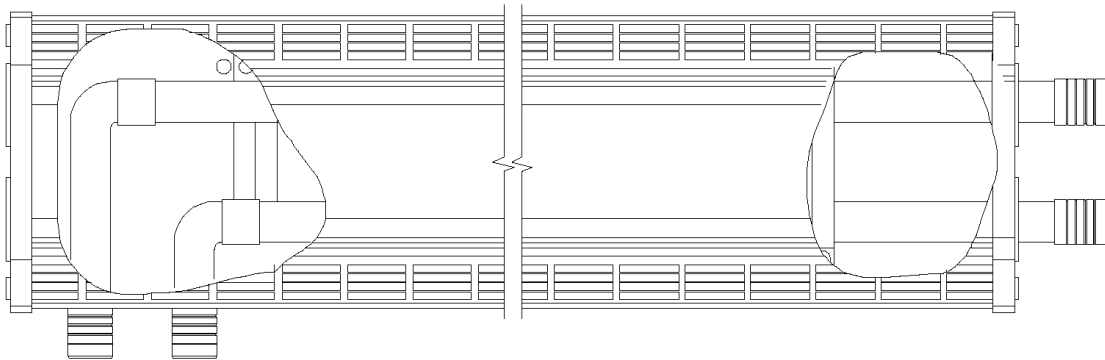


Models: A1VC, A3FE, BBCV, B1VC, B2VC, C4RE, GMCV, M4RE, SBCV, TCFE
CONVECTION HEATING
TYPE 6
With: FEATURE 30059

Key	PartNumber	Qty	Description	Comment
			HEATER ASSEMBLY, CONVECTION TYPE 6	
	0028142		HEATER ASSY,CONVECTION,TYPE 6,74.25	
	0028143		HEATER ASSY,CONVECTION,TYPE 6,81.75	
	0029457		HEATER ASSY,CONVECTION,TYPE 6,95.25	
	0028144		HEATER ASSY,CONVECTION,TYPE 6,100.65	
	0028145		HEATER ASSY,CONVECTION,TYPE 6,114.75	
	0028146		HEATER ASSY,CONVECTION,TYPE 6,123.25	
	0028147		HEATER ASSY,CONVECTION,TYPE 6,137.25	
	0023644		HEATER ASSY,CONVECTION,TYPE 6,158.25	
	0018569		HEATER ASSY,CONVECTION,TYPE 6,165.25	
	0018575		HEATER ASSY,CONVECTION,TYPE 6,177.75	

Models: A1VC, A3FE, BBCV, B1VC, B2VC, C4RE, GMCV, M4RE, SBCV, TCFE
CONVECTION HEATING
TYPE 7
With: FEATURE 30059

Key	PartNumber	Qty	Description	Comment
-----	------------	-----	-------------	---------



Models: A1VC, A3FE, BBCV, B1VC, B2VC, C4RE, GMCV, M4RE, SBCV, TCFE
CONVECTION HEATING
TYPE 7
With: FEATURE 30059


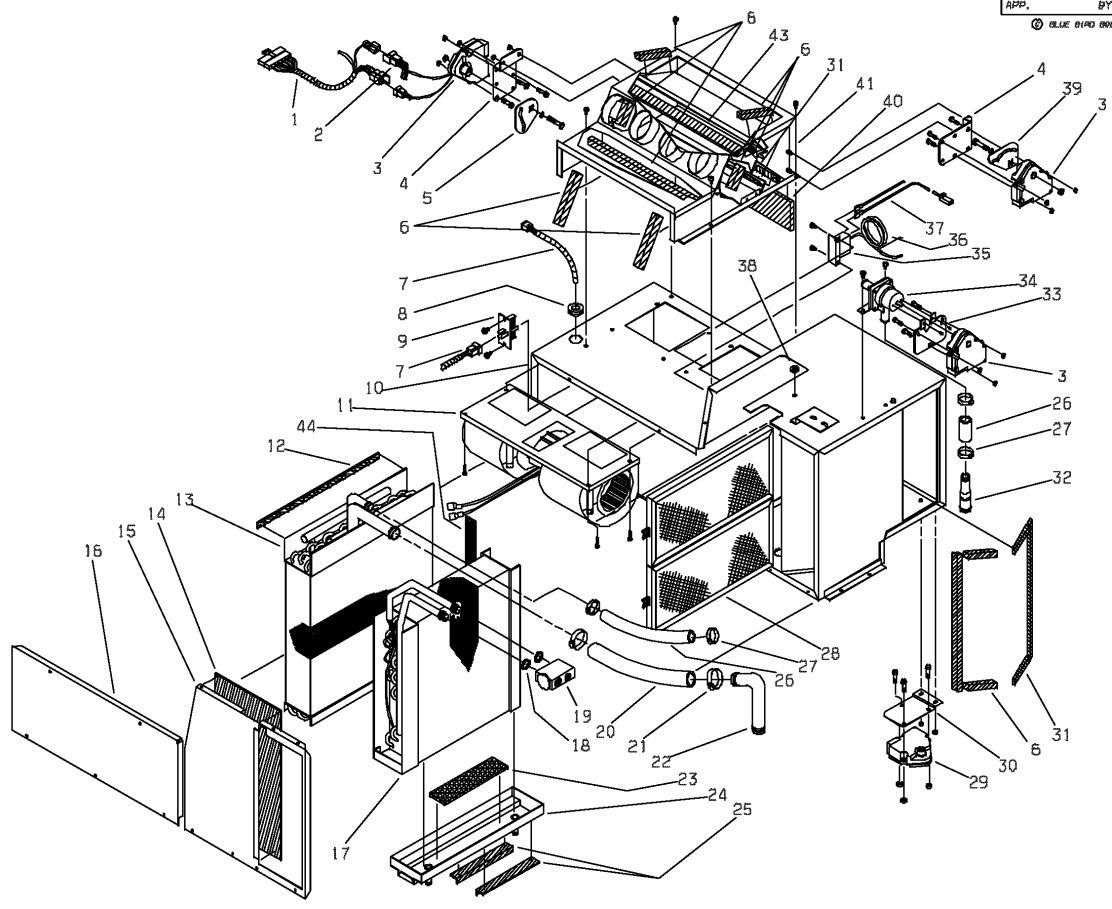
Key	PartNumber	Qty	Description	Comment
			HEATER ASSEMBLY, CONVECTION TYPE 7	
	0028148		HEATER ASSY,CONVECTION,TYPE 7,44.25	
	0028149		HEATER ASSY,CONVECTION,TYPE 7,51.25	
	0028150		HEATER ASSY,CONVECTION,TYPE 7,66.75	
	0028151		HEATER ASSY,CONVECTION,TYPE 7,79.25	
	0028152		HEATER ASSY,CONVECTION,TYPE 7,80.50	
	0029459		HEATER ASSY,CONVECTION,TYPE 7,89.25	
	0023632		HEATER ASSY,CONVECTION,TYPE 7,93.25	
	0023638		HEATER ASSY,CONVECTION,TYPE 7,100.25	
	0023649		HEATER ASSY,CONVECTION,TYPE 7,107.25	
	0018570		HEATER ASSY,CONVECTION,TYPE 7,108.75	
	0023654		HEATER ASSY,CONVECTION,TYPE 7,114.25	
	0018573		HEATER ASSY,CONVECTION,TYPE 7,115.75	
	0068288		HEATER ASSY,CONVECTION,TYPE 7,129.50	
	0068289		HEATER ASSY,CONVECTION,TYPE 7,153.50	

Models: M4RE, Q4RE
FRONT HEATER
HEATER INSTALLATION
A/C PACKAGE, HEATER-DEFROST, KYSOR

Key	PartNumber	Qty	Description	Comment
-----	------------	-----	-------------	---------

DR. 05/10/01	BY 7FM			
APP.	BY	PRT	1749181	-- REV

© BLUE BIRD BODY COMPANY. ALL RIGHTS RESERVED

Models: M4RE, Q4RE
FRONT HEATER
HEATER INSTALLATION
A/C PACKAGE, HEATER-DEFROST, KYSOR


Key	PartNumber	Qty	Description	Comment
1	0015332		HARNES, WIRE (CONTROL) LTC KYSOR	<i>CONTROL</i>
2	0015331		HARNES, WIRE (ACTUATORS) LTC KYSOR	<i>ACTUATORS</i>
3	0015330	3	MOTOR, ACTUATOR RED LTC KYSOR (274327)	
4	0089481	2	BRACKET,DOOR,MODE	
5	0015329		DOOR, CAM MODE (LT.) LTC KYSOR (518000)	
6	0015328	7	GASKET, SP. P.S. .5 X .5 LTC KYSOR (351400)	
7	0015327		HARNES, WIRE BLOWER LTC KYSOR (222919)	
8	0015326		GROMMET, .50 ID LTC KYSOR (309851)	
9	0015325		RESISTOR, 12V LTC KYSOR (220990)"	
10			WELDMENT - CASE	
11	0015324		ASSEMBLY, BLOWER 12V LTC KYSOR (411369)	
12			FELT - P.S. .12 X 50	
13	0015323		COIL, HEATER LTC KYSOR (280396)	
14	0015322		GASKET, .125 X 7.0 LTC KYSOR (355107)	
15			COIL, COVER	
16			COVER, BLOWER	
17	0015320		COIL, EVAP LTC KYSOR (400179)	
18	0015319		O-RING #8 LTC KYSOR (300442)	
19	0029798		VALVE,EXPANSION,R-22,LTC,KYSOR (404324)	<i>ENDING WITH CSN 10077004</i>
19	0015318		VALVE,EXPANSION,134A LTC KYSOR (404255)	<i>BEGIN WITH CSN 10077005</i>
20	2003317		HOSE,HEATER,1 INCH BRAID,BLACK	
21	2008522		CLAMP,1IN HOSE	
22	8307142		TUBE,1.0 90 DEGREES COPPER,WALL MTD.	

Models: M4RE, Q4RE
FRONT HEATER
HEATER INSTALLATION
A/C PACKAGE, HEATER-DEFROST, KYSOR

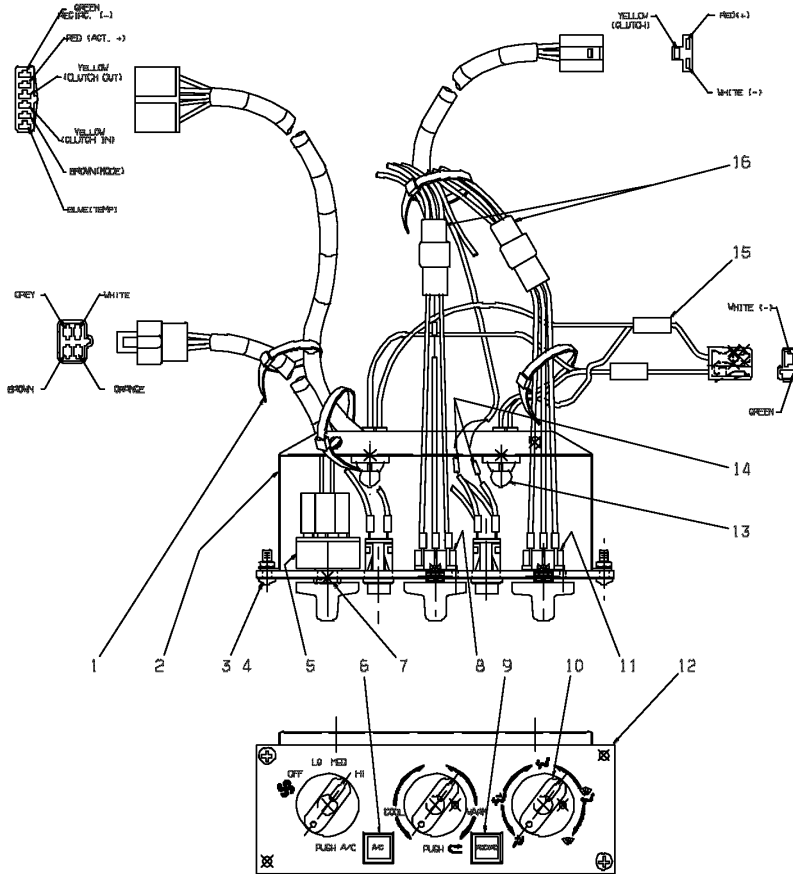
Key	PartNumber	Qty	Description	Comment
23			FOAM - .25 X 3.5	
24			WELDMENT, DRAIN PAN	
25			SEAL, MOISTURE	
26	0015314		HOSE - HEATER .62 I.D. LTC KYSOR (320000)	
27	0015312		CLAMP - HEATER HOSE LTC KYSOR (290304)	
28	0015311		FILTER, .44 X 6.25 X 13.0 LTC KYSOR (407369)	
29	0015310		ACTUATOR, MOTOR (GREEN) LTC KYSOR	GREEN
30			BRACKET, MTG. BREAKDOWN FOR HEATER ASSY 1948470 R-22	
31	4316568		RUBBER, .25 X .50 HEATER CV KYSOR	
32	0015307		TUBE, REDUCER 1.0 TO .62 LTC KYSOR	
33			BRACKET, MTG.	
34	0015304		ASSEMBLY - WATER VALVE LTC KYSOR	
35	0015303		SWITCH - THERMOSTAT LTC KYSOR (404145)	
36			TUBING	
37	0015302		ASSEMBLY - WIRE LTC KYSOR (222906)	
38			GROMMET, .19 I.D.	
39			DOOR, CAM MODE RT.	
40			GASKET, SP. P.S., .25 X 2.62	
41	0089482		WELDMENT,DUCT,LTC	

Models: M4RE, Q4RE
FRONT HEATER
HEATER INSTALLATION
A/C PACKAGE, HEATER-DEFROST, KYSOR
HEATER SWITCH PANEL, WIRING AND SWITCHES

Key	PartNumber	Qty	Description	Comment
-----	------------	-----	-------------	---------

DR. 05/10/01	BY TFM	0250241	--	
APP.	BY	PRT	REV	

© BLUE BIRD BODY COMPANY, ALL RIGHTS RESERVED



**Models: M4RE, Q4RE
FRONT HEATER
HEATER INSTALLATION
A/C PACKAGE, HEATER-DEFROST, KYSOR
HEATER SWITCH PANEL, WIRING AND SWITCHES**

Key	PartNumber	Qty	Description	Comment
	4635736		PANEL,CONTROL,A/C,KYSOR WESTRAN 1998WL	<i>CONSISTS OF ITEMS 5,6,7,8,9,10,11,12, AND 14</i>
1			TIE, PLASTIC	
2			BRACKET - LIGHT PANEL	
3			SCREW, NO.10-32 X 5/8 BLACK	
4			NUT, NO. 10-32 LOCK	
5	4320925		SWITCH,FAN,HEATER,CONV"	
6	0014942		SWITCH,A/C KYSOR LTC	
7	4316774		NUT, SWITCH LH FRT HTR.	
8	0014941		ASSEMBLY,SWITCH TEMP,KYSOR LTC	
9	0014945		SWITCH,RECIRC. KYSOR LTC	
10	8303158		KNOB, TC HEATER PANEL"	
11	0014943		ASSEMBLY,SWITCH, MODE LTC	
12	0022298		PLATE,CONTROL,LTC HEATER/AC PANEL	
13	0015301		LAMP - 12V. LTC KYSOR (220001)	
14	0015300		ASSY - WIRE GRD RESISTOR LTC KYSOR	
15	0015298		ASSEMBLY - LIGHT SOCKET LTC KYSOR	
16	0015299		HARNES, WIRE CONTROL KYSOR,LTC	
			BREAKDOWN FOR HEATER ASSY 1948470 R-22	