

Body

380 Seats

PASSENGER SEATING

DAVENPORT

55 CAPACITY WITH 3 PASSENGER

_____ 1

55 CAPACITY WITH 5 PASSENGER

_____ 2

SEAT KIT

_____ 3

52 CAPACITY WITH ADA

_____ 4

53 CAPACITY

_____ 5

53 CAPACITY WITH ADA

_____ 6

PRISON COACH INSTALLATION

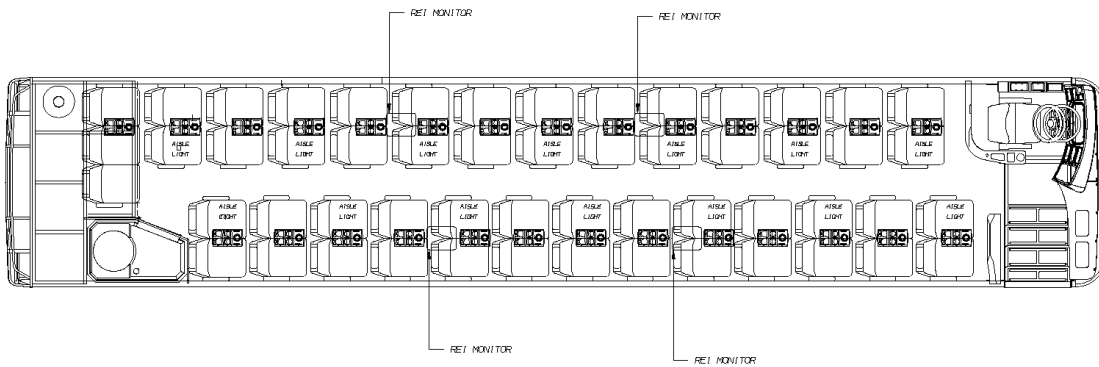
_____ 7

SEAT TRACK

_____ 8

Models: M4RE
PASSENGER SEATING
DAVENPORT
55 CAPACITY WITH 3 PASSENGER

Key	PartNumber	Qty	Description	Comment
-----	------------	-----	-------------	---------

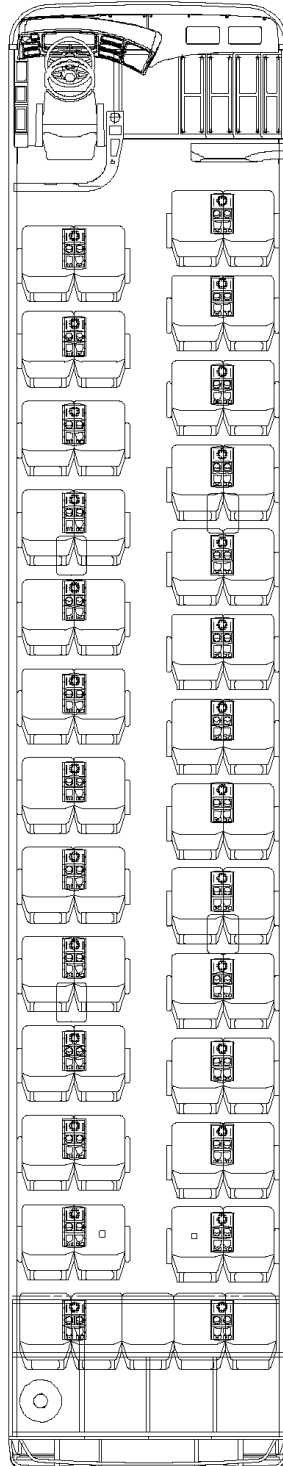


**Models: M4RE
PASSENGER SEATING
DAVENPORT
55 CAPACITY WITH 3 PASSENGER**

Key	PartNumber	Qty	Description	Comment
			KIT, SEATS, AM STG, 2006, 55 CAP W/3 PASS	
	0059441		SEATS,AM STG,2006,55 CAP,INT A,M4RE	<i>FEATURE 38113-04, KINGS PLUSH FABRIC, INT A</i>
	0059442		SEATS,AM STG,2006,55 CAP,INT B,M4RE	<i>FEATURE 38113-05, HOLDSWORTH FABRIC, INT B</i>
	0059443		SEATS,AM STG,2006,55 CAP,INT C,M4RE	<i>FEATURE 38113-06. LANTEL FABRIC, INT C</i>
			CONSIST OF THE FOLLOWING	
	0056043	7	SEAT,AMSTG,2006,LH,AISLE LT,F/RST,M4RE	
	0056044	7	SEAT,AMSTG,2006,RH,AISLE LT,F/RST,M4RE	
	0056045	6	SEAT,AMSTG,2006,LH,F/RST,M4RE	
	0056046	6	SEAT,AMSTG,2006,RH,F/RST,M4RE	
	0056047	1	SEAT,AMSTG,2006,3-PASS DVPT,58 13/16W,	

Models: **M4RE**
PASSENGER SEATING
DAVENPORT
55 CAPACITY WITH 5 PASSENGER

Key	PartNumber	Qty	Description	Comment
-----	------------	-----	-------------	---------

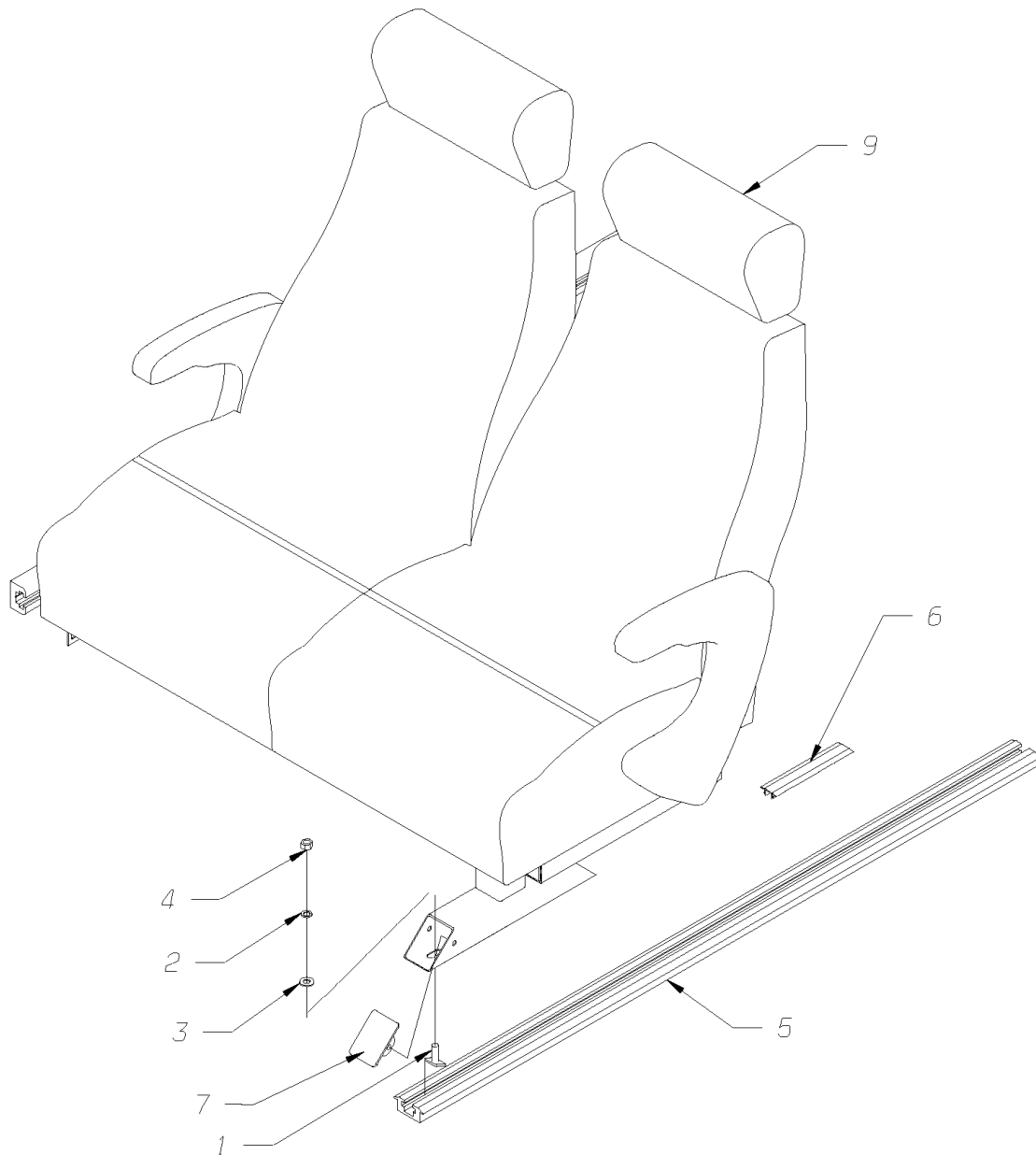


**Models: M4RE
PASSENGER SEATING
DAVENPORT
55 CAPACITY WITH 5 PASSENGER**

Key	PartNumber	Qty	Description	Comment
			KIT, SEAT, AM STG, 2006, 55 CAP W/5 PASS	
	0057115		KIT,SEAT,AM STG,2006,55CAP,INT A,M4RE	<i>FEATURE 38113-04, KINGS PLUSH FABRIC, INT A</i>
	0057120		KIT,SEATS,AM STG,2006,55CAP,INT B,M4RE	<i>FEATURE 38113-05, HOLDSWORTH FABRIC, INT B</i>
	0057121		KIT,SEATS,AM STG,2006,55CAP,INT C,M4RE	<i>FEATURE 38113-06. LANTEL FABRIC, INT C</i>
			CONSIST OF THE FOLLOWING	
	0056043	7	SEAT,AMSTG,2006,LH,AISLE LT,F/RST,M4RE	
	0056044	6	SEAT,AMSTG,2006,RH,AISLE LT,F/RST,M4RE	
	0056045	6	SEAT,AMSTG,2006,LH,F/RST,M4RE	
	0056046	6	SEAT,AMSTG,2006,RH,F/RST,M4RE	
	0056048	1	SEAT,AMSTG,2006,5-PASS DVPT,90 1/4W,M4RE	

Models: **M4RE**
PASSENGER SEATING
SEAT KIT

Key	PartNumber	Qty	Description	Comment
-----	------------	-----	-------------	---------

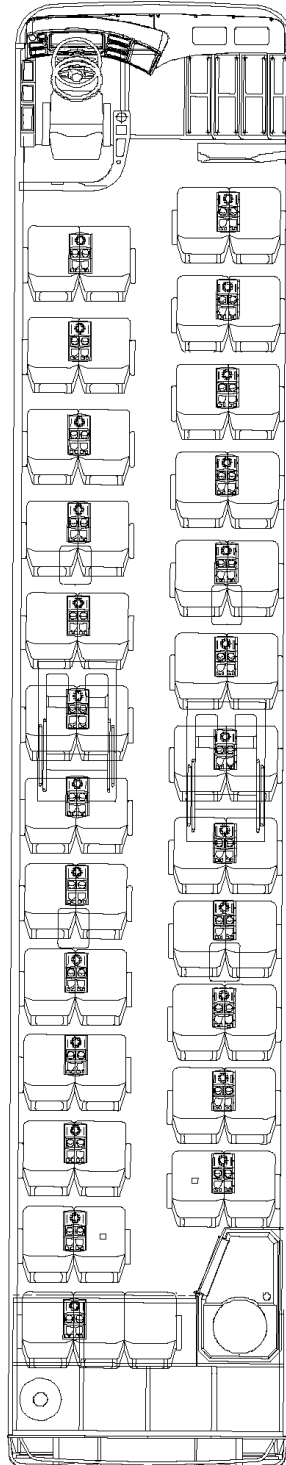


Models: **M4RE**
PASSENGER SEATING
SEAT KIT

Key	PartNumber	Qty	Description	Comment
1	0028046	AR	BOLT,T,3/8-24 X 1.070,ZINC	
2	0882795	AR	LOCKWASHER,SPLIT RING,3/8,MED,YELLOW	
3	1078922	AR	WASHER,FLAT,3/8 X 7/8 X 5/64,YEL ZN DICH	
4	0803189	AR	NUT,HEX,3/8-24,GR8,BLACK ZINC	
5	3979697		TRACK,SEAT,FLOOR-MOUNTED,QB	
6	6023626		FILLER STRIP,SEAT TRACK, 12' LENGTH,QB	
7			END CAP	<i>INCLUDED WITH SEAT</i>
NI	3758455		SCREW,SM,PH,RND HD,1/4X1 1/2,TYP A,	

Models: M4RE
**PASSENGER SEATING
SEAT KIT
52 CAPACITY WITH ADA**

Key	PartNumber	Qty	Description	Comment
-----	------------	-----	-------------	---------

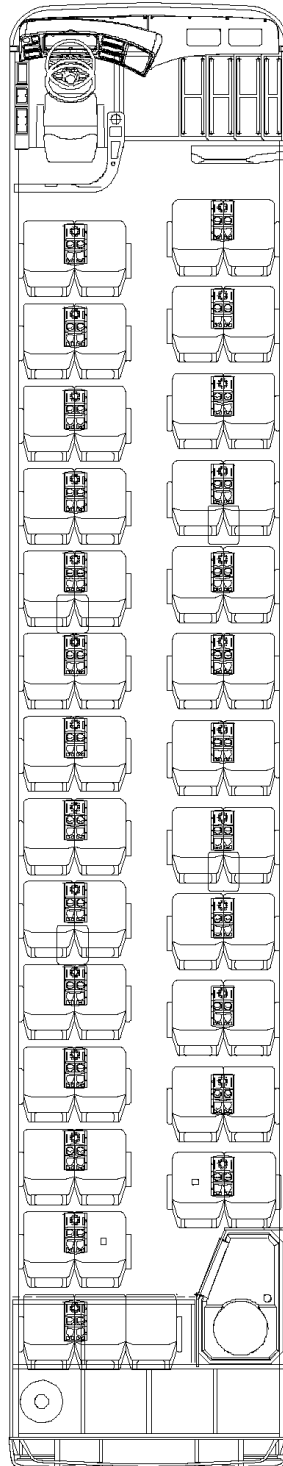


**Models: M4RE
PASSENGER SEATING
SEAT KIT
52 CAPACITY WITH ADA**

Key	PartNumber	Qty	Description	Comment
			KIT, SEATS, AM STG, 2006, 52 CAP, ADA	
	0057116		KIT,SEATS,AM STG,2006,51CAP,ADA,INT A,	<i>FEATURE 38113-04, KINGS PLUSH FABRIC, INT A</i>
	0057122		KIT,SEATS,AM STG,2006,51CAP,ADA,INT B,	<i>FEATURE 38113-05, HOLDSWORTH FABRIC, INT B</i>
	0057123		KIT,SEATS,AM STG,2006,51CAP,ADA,INT C,	<i>FEATURE 38113-06. LANTEL FABRIC, INT C</i>
			CONSIST OF THE FOLLOWING	
	0056043	5	SEAT,AMSTG,2006,LH,AISLE LT,F/RST,M4RE	
	0056044	5	SEAT,AMSTG,2006,RH,AISLE LT,F/RST,M4RE	
	0056045	4	SEAT,AMSTG,2006,LH,F/RST,M4RE	
	0056046	4	SEAT,AMSTG,2006,RH,F/RST,M4RE	
	0056047	1	SEAT,AMSTG,2006,3-PASS DVPT,58 13/16W,	
	0056049	1	SEAT,AMSTG,2006,LH,SLD,FLIP,F/RST,W/C RST,	
	0056050	1	SEAT,AMSTG,2006,RH,SLD,FLP,F/RST,W/C RST,	
	0056051	1	SEAT,AMSTG,2006,LH,FXD,FLP,F/RST,W/C RST,	
	0056052	1	SEAT,AMSTG,2006,RH,FXD,FLP,F/RST,W/C RST,	
	0056053	1	SEAT,AMSTG,2006,LH,SLD,FLP,F/RST,M4RE	
	0056054	1	SEAT,AMSTG,2006,RH,SLD,FLP,F/RST,M4RE	

Models: M4RE
**PASSENGER SEATING
SEAT KIT
53 CAPACITY**

Key	PartNumber	Qty	Description	Comment
-----	------------	-----	-------------	---------

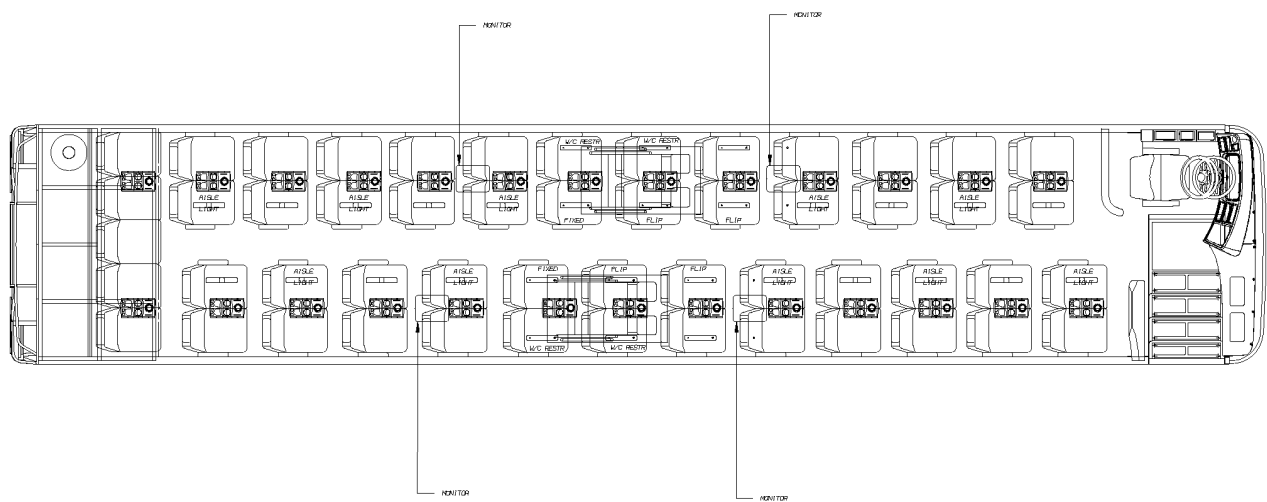


Models: M4RE
PASSENGER SEATING
SEAT KIT
53 CAPACITY

Key	PartNumber	Qty	Description	Comment
			KIT, SEATS, AM STG, 2006, 53 CAP	
	0057114		KIT,SEATS,AM STG,2006,53CAP,INT A,STD,	<i>FEATURE 38113-04, KINGS PLUSH FABRIC, INT A, STANDARD</i>
	0057118		KIT,SEATS,AM STG,2006,53CAP,INT B,M4RE	<i>FEATURE 38113-05, HOLDSWORTH FABRIC, INT B</i>
	0057119		KIT,SEAT,AM STG,2006,53CAP,INT C,M4RE	<i>FEATURE 38113-06. LANTEL FABRIC, INT C</i>
			CONSIST OF THE FOLLOWING	
	0056043	6	SEAT,AMSTG,2006,LH,AISLE LT,F/RST,M4RE	
	0056044	6	SEAT,AMSTG,2006,RH,AISLE LT,F/RST,M4RE	
	0056045	6	SEAT,AMSTG,2006,LH,F/RST,M4RE	
	0056046	7	SEAT,AMSTG,2006,RH,F/RST,M4RE	
	0056047	1	SEAT,AMSTG,2006,3-PASS DVPT,58 13/16W,	

Models: M4RE
**PASSENGER SEATING
 SEAT KIT
 53 CAPACITY WITH ADA**

Key	PartNumber	Qty	Description	Comment
-----	------------	-----	-------------	---------

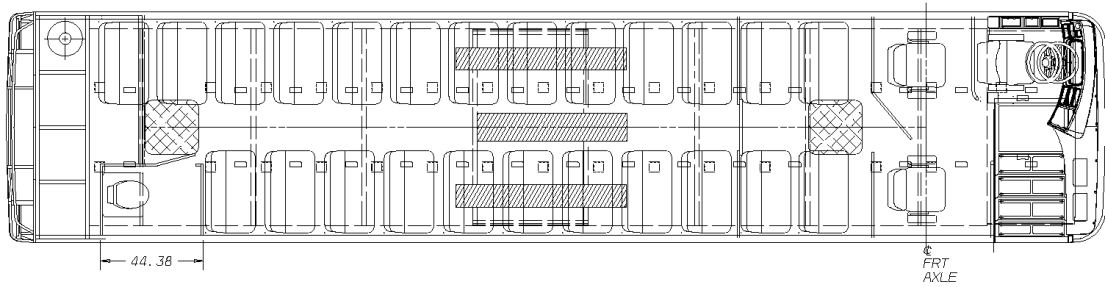


**Models: M4RE
PASSENGER SEATING
SEAT KIT
53 CAPACITY WITH ADA**

Key	PartNumber	Qty	Description	Comment
			KIT, SEATS, AM STG, 2006, 53 CAP, ADA	
	0057117		KIT,SEATS,AM STG,2006,53CAP,ADA,INT A,	<i>FEATURE 38113-04, KINGS PLUSH FABRIC, INT A</i>
	0057124		KIT,SEATS,AM STG,2006,53CAP,ADA,INT B,	<i>FEATURE 38113-05, HOLDSWORTH FABRIC, INT B</i>
	0057125		KIT,SEATS,AM STG,2006,53CAP,ADA,INT C,	<i>FEATURE 38113-06. LANTEL FABRIC, INT C</i>
			CONSIST OF THE FOLLOWING	
	0056043	5	SEAT,AMSTG,2006,LH,AISLE LT,F/RST,M4RE	
	0056044	5	SEAT,AMSTG,2006,RH,AISLE LT,F/RST,M4RE	
	0056045	4	SEAT,AMSTG,2006,LH,F/RST,M4RE	
	0056046	4	SEAT,AMSTG,2006,RH,F/RST,M4RE	
	0056048	1	SEAT,AMSTG,2006,5-PASS DVPT,90 1/4W,M4RE	
	0056049	1	SEAT,AMSTG,2006,LH,SLD,FLIP,F/RST,W/C RST,	
	0056050	1	SEAT,AMSTG,2006,RH,SLD,FLP,F/RST,W/C RST,	
	0056051	1	SEAT,AMSTG,2006,LH,FXD,FLP,F/RST,W/C RST,	
	0056052	1	SEAT,AMSTG,2006,RH,FXD,FLP,F/RST,W/C RST,	
	0056053	1	SEAT,AMSTG,2006,LH,SLD,FLP,F/RST,M4RE	
	0056054	1	SEAT,AMSTG,2006,RH,SLD,FLP,F/RST,M4RE	

Models: M4RE
PASSENGER SEATING
SEAT KIT
PRISON COACH INSTALLATION

Key	PartNumber	Qty	Description	Comment
-----	------------	-----	-------------	---------

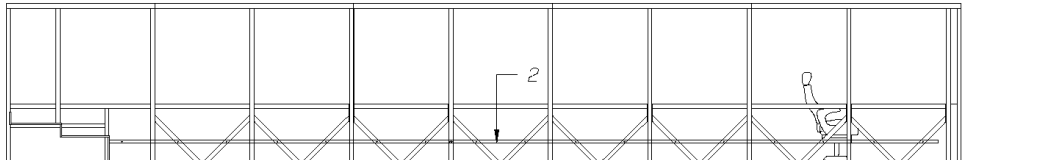
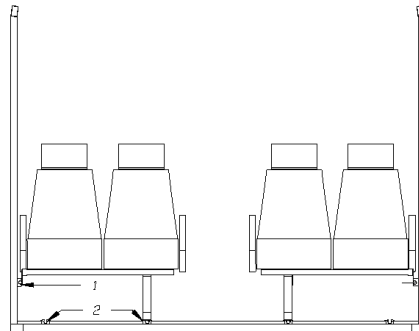
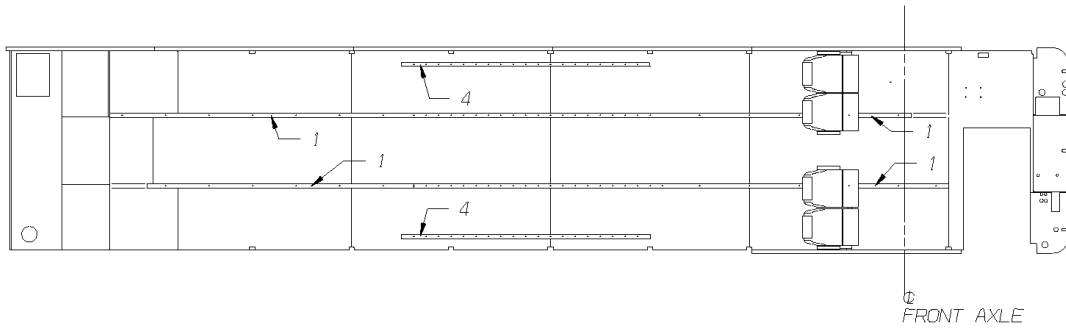


Models: **M4RE**
PASSENGER SEATING
SEAT KIT
PRISON COACH INSTALLATION

Key	PartNumber	Qty	Description	Comment
	0061693		KIT,SEAT,AMERICAN SEATING,MODEL 850, SEAT, AM STG	<i>CONSISTS OF THE FOLLOIWN</i>
	0032747	12	SEAT,AM STG,MODEL # 850,LH	
	0032748	13	SEAT,AM STG,MODEL # 850, RH	
	0032749		SEAT,AM STG,MODEL #850,2-PAS DVPT	
	0061762		KIT,INSTL,SEATING,PRISON COACH,M4RE	<i>CONSISTS OF THE FOLLOWING</i>
			THE FOLLOWING PARTS ARE FOR PASSENGER	
	0803189	50	NUT,HEX,3/8-24,GR8,BLACK ZINC	
	0882795	50	LOCKWASHER,SPLIT RING,3/8,MED,YELLOW	
	1078922	50	WASHER,FLAT,3/8 X 7/8 X 5/64,YEL ZN DICH	
	0028046	50	BOLT,T,3/8-24 X 1.070,ZINC	
			THE FOLLOWING PARTS ARE FOR GUARD	
	0654962	25	TUBING,PLASTIC,1/4 OD,BLACK,SAE J844 TYPE	
	2005718	25	LOOM,ASPHALTUM,WIRE,5/16IN	
	1344092	6	ELBOW,90 DEG,MALE,1469X4X4-Z,.25 MP X .25	
	1414382	2	CONNECTOR,MALE,1468X4X4-Z,.25 MP X .25T	
	1695808	4	TETHER ASSY,SEAT BELT,18.00,BEIGE,F10264	
	1497502	2	S/BELT ASSY,SGL ALR,BKL RSR,FO7270,	
	0061759		SEAT,DRIVER,GUARD,BOSTRUM,T910/LSO,BLK	
	0061760		SEAT,DRIVER,GUARD,BOSTRUM,T910/LSO,RH,	

Models: **M4RE**
PASSENGER SEATING
SEAT TRACK

Key	PartNumber	Qty	Description	Comment
-----	------------	-----	-------------	---------



Models: **M4RE**
PASSENGER SEATING
SEAT TRACK

Key	PartNumber	Qty	Description	Comment
1	3979697		TRACK,SEAT,FLOOR-MOUNTED,QB	
2	3982857		TRACK,SEAT,WALL-MOUNTED, QB	
4	3979697		TRACK,SEAT,FLOOR-MOUNTED,QB	<i>WITH OPTION 31820-01</i>
NI	2000073	AR	SCREW,1/4-20 X 1,D,HEX HD,YEL ZN DICH	