

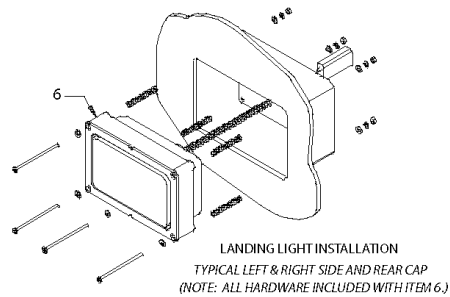
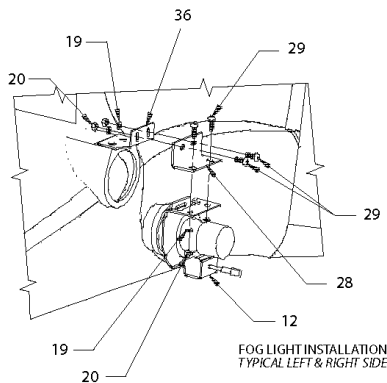
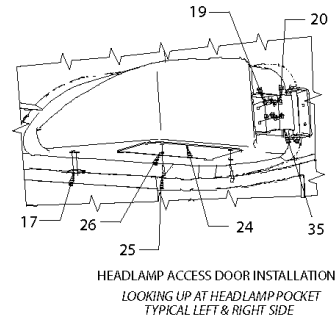
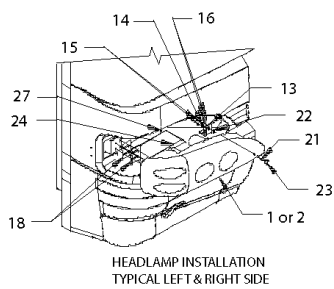
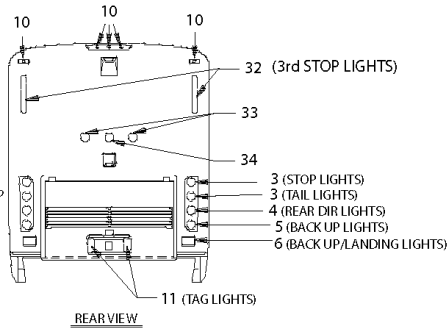
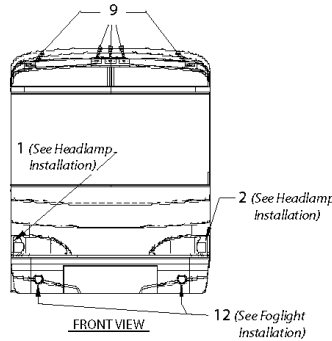
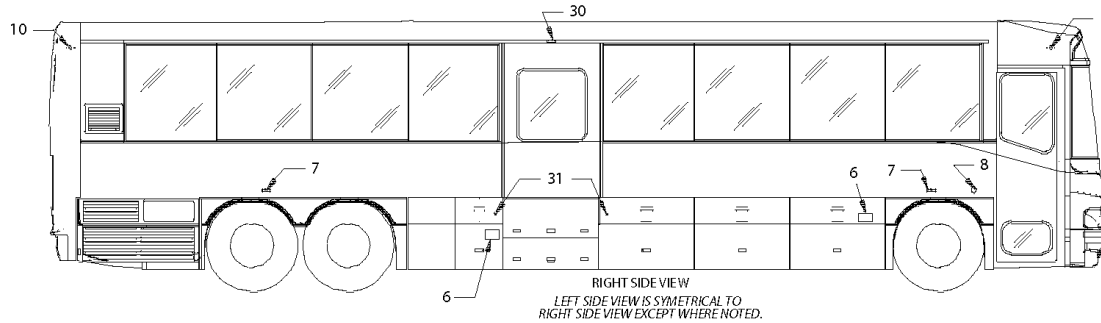
Body

420 Lights & Lens

HEADLIGHTS, FOG, PARKING & SIDE MARKER

**Models: M4RE
HEADLIGHTS, FOG, PARKING & SIDE MARKER**

Key	PartNumber	Qty	Description	Comment
-----	------------	-----	-------------	---------



**Models: M4RE
HEADLIGHTS, FOG, PARKING & SIDE MARKER**

Key	PartNumber	Qty	Description	Comment
1	0024888		HEADLAMP ASSY,RH,2001 LX	
2	0027140		HEADLAMP ASSY,LH,2001 LX	
3	0040858	4	LIGHT,LED,RED,STOP/TAIL,4 INCH	
3	0040856	4	GROMMET,MOUNTING,LED LIGHT,4 INCH	
4	0040857	2	LIGHT,LED,AMBER,DIR,4 INCH	
4	0040856	2	GROMMET,MOUNTING,LED LIGHT,4 INCH	
5	0043409	2	LIGHT,INCANDESCENT,BACK UP	
5	0040856	2	GROMMET,MOUNTING,LED LIGHT,4 INCH	
6	0061343	6	LIGHT ASSY,SIDE,REAR,LANDING W/O	
7	0040861	4	LIGHT,LED,SIDE DIR,DUAL,AMBER	
7	0042264	4	GUARD,ARMOR,SIDE DIR,STAINLESS,18 SERIES	
7				SCREWS, WASHERS AND GASKET SUPPLIED WITH LIGHT
8	0041391		LIGHT,LED,ROUND,MARKER,AMBER,2.5 INCH	FEATURE 04569
8	0041392		GROMMET,MOUNTING,LED LIGHT,2.5 INCH	
9	0041393	7	LIGHT,LED,MARKER,AMBER	STANDARD
9	1936772	14	SCREW,8-18 X 3/4,AB,PH1,PAN HD,YL ZN,W/EX	
9				GASKET, SUPPLIED WITH LIGHT
10	0028775	7	LIGHT ASSY,MARKER,LED,RED	STANDARD
10	1936772	14	SCREW,8-18 X 3/4,AB,PH1,PAN HD,YL ZN,W/EX	
11	1619980	2	LIGHT ASSY,LICENSE PLATE	STANDAR
11				LOCKWASHER AND NUT, SUPPLIED WITH LIGHT
12	0024655	2	LAMP,FOG,HELLA #96730,2001 LX	STANDARD
13	0023629	2	ANGLE,RECEPTACLE,HEADLAMP ASSY	STANDARD

**Models: M4RE
HEADLIGHTS, FOG, PARKING & SIDE MARKER**

Key	PartNumber	Qty	Description	Comment
14	0023698	2	RETAINER, SOUTHCO 12-11020-13	STANDARD
15	2231967	4	RIVET,BLIND,ALUM,1/8 DIA,W/ALUM M,126-187	
16	1143684	4	SCREW,1/4-14 X 1,AB,PH1,PAN HD,BLK ZN,SST	
17	0028930	2	PLATE,ANGLE TO CAP,HEADLAMP,LX 2001	
18	0023628	4	PLATE, SHIM, HEADLAMP ASSY MTG, 2001 LX	
19	0026126	16	WASHER,FLAT,1/4,11/16 DIA,SS	
20	3823606	16	NUT,LOCK,HEX,1/4-20,304 SS,WASHER INSERT	
21	0023697	2	FASTENER, SOUTHCO, 12-P-504	
22	0023700	2	RETAINER, SOUTHCO 12-6-1	
23	0027651	2	PLUG,RUBBER,MINOR#Z-414,HEADLAMP,LX	
24	0028929	2	PLATE,ACCESS,HEADLAMP ADJ,2001 LX	
25	3782935	4	WASHER,FLAT,TYPE A,NO 10,304 SS	
26	0028955	4	THUMBSCREW,10-32X1 L,TYPE 18-8 SS	
27	1315118	4	WELLNUT Q-1032,.377 X 5/8	
28	0023626	2	BRACKET, MTG,FOG LIGHT,2001 LX, B4RE	
29	0026125	8	SCREW,MACH,PHD,PH,1/4-20X3/4 L,SS	
30	0027925	2	LIGHT,LED,CLEARANCE/MARKER AMBER,	
30	0864579	4	SCREW,10-16 X 3/4,AB,PH1,PAN HD,SST	
*	1759240	2	LAMP,APPROACH,ADA LIFT,32 CP,WITH	FEATURE 31061-02
31	0864579	4	SCREW,10-16 X 3/4,AB,PH1,PAN HD,SST	FEATURE 31061-02
32	0060858	2	LIGHT,LED,3RD STOP,18 X .75 X .50	
32	0864579	4	SCREW,10-16 X 3/4,AB,PH1,PAN HD,SST	FEATURE 31061-02
33	0051797	2	LIGHT,LED,AMBER,FRONT DIRECTIONAL,4 INCH	FEATURE 30742-01

**Models: M4RE
HEADLIGHTS, FOG, PARKING & SIDE MARKER**

Key	PartNumber	Qty	Description	Comment
33	0040856	2	GROMMET,MOUNTING,LED LIGHT,4 INCH	<i>FEATURE 30742-01</i>
34	0040858		LIGHT,LED,RED,STOP/TAIL,4 INCH	<i>FEATURE 30742-01</i>
34	0040856		GROMMET,MOUNTING,LED LIGHT,4 INCH	<i>FEATURE 30742-01</i>
			* NOT SHOWN ON DRAWING	
35	0023734		HINGE ASSY,HEADLIGHT,B4RE	
36	0022302		BRACKET,MTG,FOG LIGHT,FIBERGLASS	