

Body**460 Accessories**

CAMERA, REAR BACKUP

With: FEATURE 38105-03

1

GROMMET CHART

2

HORN, DUAL, KNEELING ALARM

3

POWER OUTLET, LAPTOP

With: FEATURE 38112-31

4

TALKING BUS KIT

WITH GPS

With: FEATURE 31140-03

5

WITHOUT GPS

With: FEATURE 31140-11

6

TALKING BUS KIT

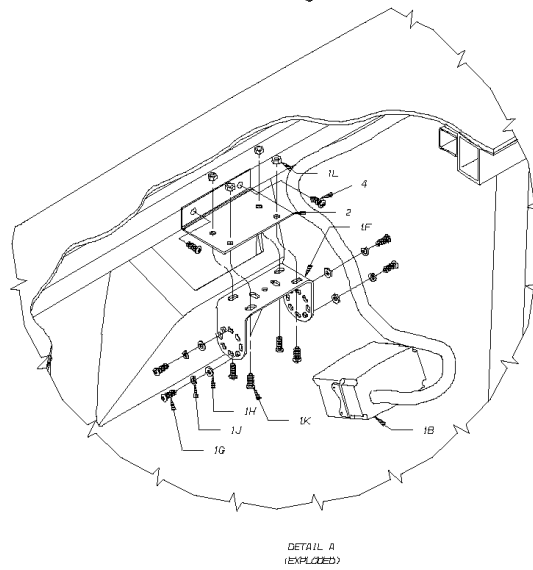
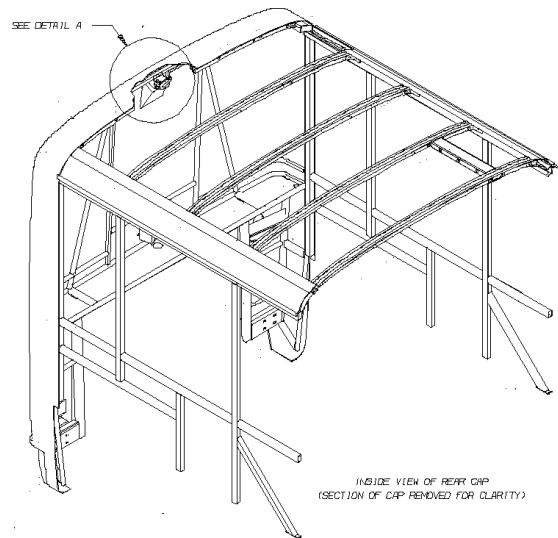
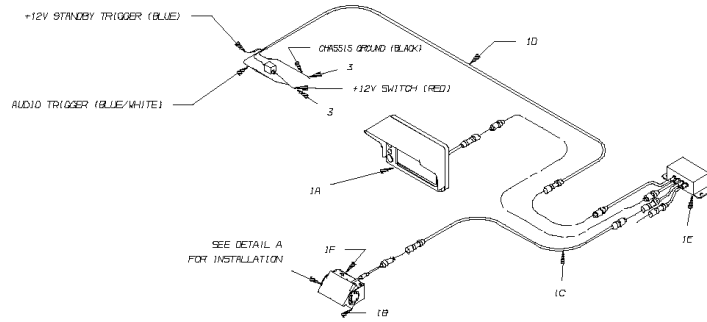
LED STOP REQUEST

With: FEATURE 30299-02, -03

7

Models: M4RE
With: CAMERA, REAR BACKUP
FEATURE 38105-03

Key	PartNumber	Qty	Description	Comment
-----	------------	-----	-------------	---------



Models: M4RE
With: CAMERA, REAR BACKUP
 FEATURE 38105-03

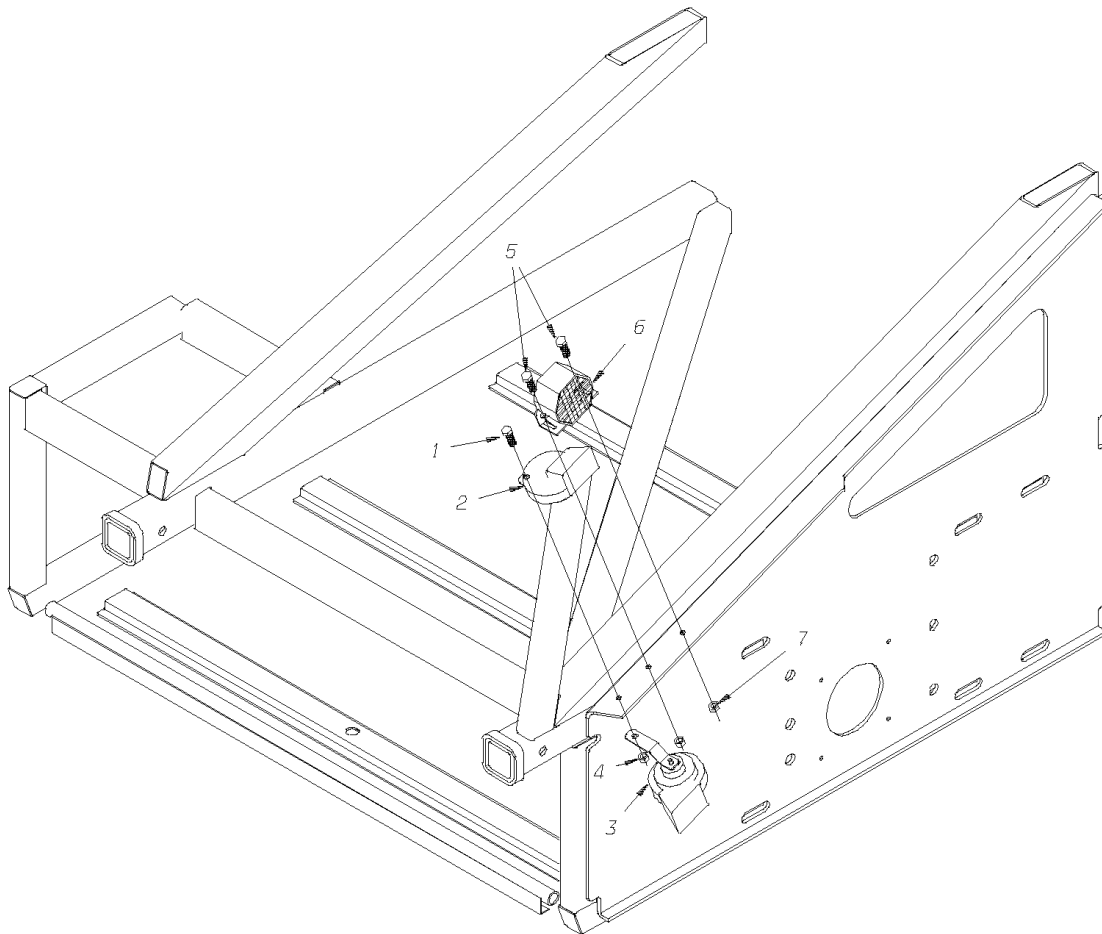
Key	PartNumber	Qty	Description	Comment
1	0061370		KIT,VISION,MONITOR CAMERA, M4RE	
				<i>KEY NUMBERS 1A THROUGH 1L - SUPPLIED WITH KIT</i>
1A			LCD MONITOR	
1B			COLOR CAMERA	
1C			75 FT. CAMERA CABLE	
1D			POWER HARNESS	
1E			A/V INPUT JUNCTION BOX	
1F			CAMERA BRACKET	
1G			SCREW	
1H			FLAT WASHER	
1J			LOCKWASHER	
1K			SCREW	
1L			LOCKING NUT	
2	0062182		BRACKET,MTG,CAMERA,REAR BACKUP, M4RE	
3	0058225	2	TERMINAL,SLIDE,1/4,18-22 GA,AMP	
4	2000636	2	SCREW,1/4-14 X 1/2,AB,PH1,PAN HD,YEL	

Models: A1VC, A3FE, A3RE, B1VC, B2VC, B4RE, BBCV, BCCV, C1FE, C3FE, C4RE, CSEV, CSFE, CSRE, GMCV, GPWB, AARE, AAFE, H4RE, HDFE, L3RE, L4RE, M4RE, MBWB, Q4RE, QBEV, QBRE, SBCV, T2RE, TCEV, TCFE, TCRE, TSFE, VCTA, W4RE, WLWB
GROMMET CHART

Key	PartNumber	Qty	Description	Comment
	2003150		GROMMET,CHASSIS,COWL WIRING	.16 ID
	1619477		GROMMET,RUBBER,.25 ID X .38 OD	
	2003168		GROMMET,RUBBER	.31 ID
	0890566		GROMMET,RUBBER,ATLANTIC INDIA,NO 2758	.38 ID
	2003218		GROMMET,RUBBER,3/8 ID	.38 ID
	2003226		GROMMET,RUBBER,W/S WIPER	.44 ID
	1508613		GROMMET,RUBBER,ATLANTIC INDIA #2426	.50 ID
	2003192		GROMMET,RUBBER,FC	.75 ID
	2003234		GROMMET,RUBBER,CHASSIS COWL WIRES,3/4	
	1894187		GROMMET,RUBBER,.75 ID W/1.00 X .09	
	2003200		GROMMET,RUBBER,1 IN. ID	
	2003184		GROMMET,RUBBER,HEATER PANEL,1-1/4 IN. ID	
	1610450		GROMMET,RUBBER,1.38 ID X 1.718 OD	
	1652379		GROMMET,RUBBER,1.25 ID W/1.50 X .25	
	0421792		GROMMET,1 3/4 X 1/16 X 1 1/2	
	2003176		GROMMET,HEATER HOSE,1 1/2IN ID	
	0026853		GROMMET,RUBBER,2.125 I.D.	
	0053652		GROMMET,RUBBER,1/4IDX.0625WALL"	
	0063731		GROMMET,RUBBER,1.00 ID	
	0066468		GROMMET,RUBBER,13/32 ID,3/8 GW,5/8 GD	
	0112325		GROMMET,RUBBER,1.75ID W/2.00 X .25	

Models: **M4RE
HORN, DUAL, KNEELING ALARM**

Key	PartNumber	Qty	Description	Comment
-----	------------	-----	-------------	---------

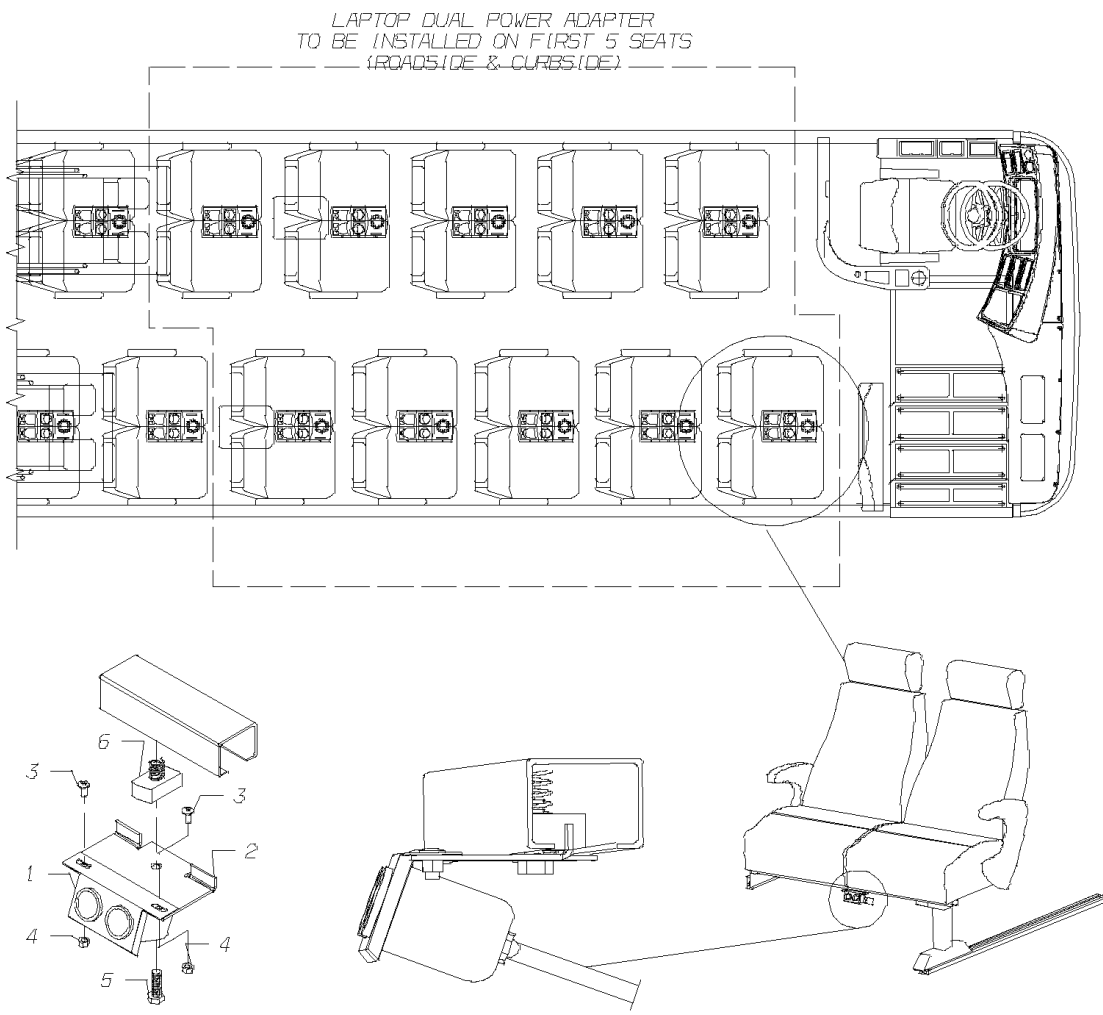


**Models: M4RE
HORN, DUAL, KNEELING ALARM**

Key	PartNumber	Qty	Description	Comment
1	0989145		CAPSCREW,HEX HD,5/16-18, X, 1, ,GR5,	
2	0054196		HORN ASSY,HIGH NOTE,24V"	
3	0055903		HORN ASSY,LOW NOTE,24V	
4	0829390		NUT,HEX HD,5/16-18,SER WASHER,YEL ZN	
5	1674225	2	CAPSCREW,HEX FLG,1/4-20X1.25,GRD5,BLACK	
6	0003311		HORN,BACKING ALARM,107 DB	
7	0659979	2	NUT,HEX,FLANGE SER,1/4-20,BLACK ZINC	

Models: M4RE
With: POWER OUTLET, LAPTOP
FEATURE 38112-31

Key	PartNumber	Qty	Description	Comment
-----	------------	-----	-------------	---------



Models: M4RE
POWER OUTLET, LAPTOP
With: FEATURE 38112-31

Key	PartNumber	Qty	Description	Comment
1	0060311		RECEPTACLE,ASSY,POWER,DUAL"	
2	0060850		BRACKET,MTG,POWER OUTLET,LAPTOP, M4RE	
3	1966837		SCREW,MACH,10-32X1/2,PH1,PAN HD,BLK ZN	
4	1856624		NUT,HEX HD,10-32,PRECISION,BLACK ZINC	
5	0829317		CAPSCREW,HEX FLG,5/16-18X1.25,GR5,SER,	
6	0060907		NUT,CHANNEL,W/ SPRING,5/16-18	

Models: M4RE
TALKING BUS KIT
WITH GPS
With: FEATURE 31140-03

Key	PartNumber	Qty	Description	Comment
1	0115449	1	PLATE,METAL,DVAS,WITH GPS	FEATURE 31140-03, 965-6011-000
2	0115453	1	ANTENNA,STOP,SIGN,GLOBAL POSITION	FEATURE 31140-03, 965-6011-000
3	0115416	1	MICROPHONE,AUTO,GAIN CONTROL,AGC	FEATURE 31140-03, 965-6011-000
4	0115459	1	STOP,SIGN,CABLE,GPS ANTENNA,DR500C/C	FEATURE 31140-03, 965-6011-000
5	0115439	1	STOP,SIGN,PC MEMORY,32M,ATA	FEATURE 31140-03, 965-6011-000
6	0115440	1	STOP,SIGN,OCU,TYPE LT-2	FEATURE 31140-03, 965-6011-000
7	0115445	1	STOP,SIGN,CABLE OCU, J1708	FEATURE 31140-03, 965-6011-000

Models: M4RE
**TALKING BUS KIT
 WITHOUT GPS**
With: FEATURE 31140-11

Key	PartNumber	Qty	Description	Comment
1	0115413	1	PLATE,METAL,DVAS, WITHOUT GPS	FEATURE 31140-11
2	0115416	1	MICROPHONE,AUTO,GAIN CONTROL,AGC	FEATURE 31140-11
3	0115439	1	STOP,SIGN,PC MEMORY,32M,ATA	FEATURE 31140-11
4	0115440	1	STOP,SIGN,OCU,TYPE LT-2	FEATURE 31140-11
5	0115445	1	STOP,SIGN,CABLE OCU, J1708	FEATURE 31140-11
6	0115447	1	STOP,SIGN,CABLE,DR 500C + VEHICLE LOGIC	FEATURE 31140-11
7	0115448	1	STOP,SIGN,CABLE,AVAS HARNESS-BLUE BIRD	

Models: M4RE
TALKING BUS KIT
LED STOP REQUEST
With: FEATURE 30299-02, -03

Key	PartNumber	Qty	Description	Comment
1	0049657	1	KIT,TALKING BUS COMPTS,DR,LED STOP SIGN	FEATURE 30299-02, -03
2	0115450	1	CABLE,LED,INTERNAL SIGN	FEATURE 30299-02, -03