

003/1 FRAME 12839  
 2002 RELEASED BY 12.05.39  
 2000 DECEMBER 18

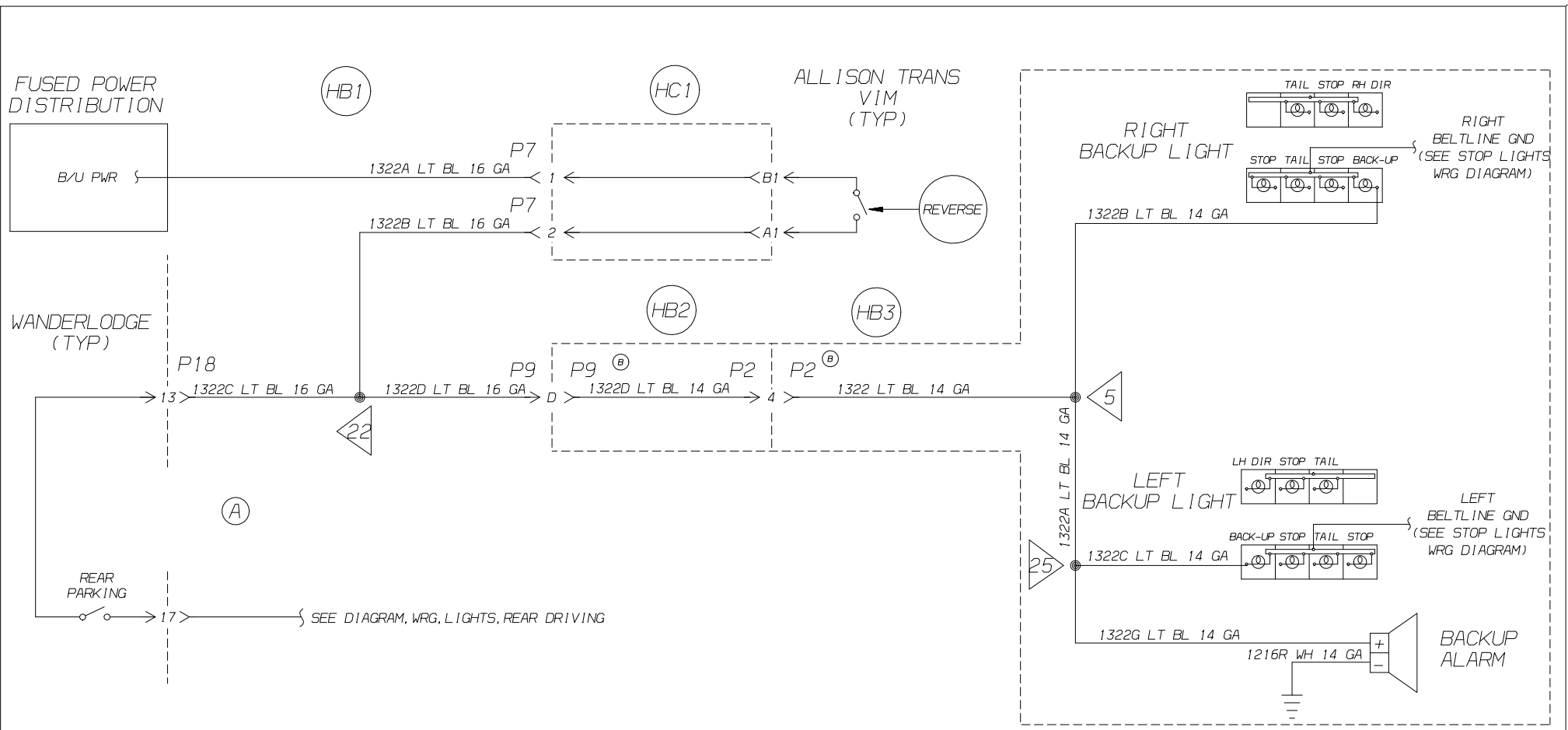
BODY

0000240B	DIAGRAM, WRG, LIGHTS, BACK UP	Q4RE
0007828	DIAGRAM, WRG, LOCKS, L/CMPT	Q4RE
0009286A	DIAGRAM, WRG, W/S WIPER	B4/Q4/W4
0009527A	DIAGRAM, WRG, ENGINE BRAKE, DDEC	Q4/W4
0009528	DIAGRAM, WRG, FEA 38102-01, T/K	Q4RE
0009561A	DIAGRAM, WRG, MIRROR SW ILLUM, HDLT WRNB4/Q4/W4	
0009733A	DIAGRAM, WRG, CRUISE O/R, ECM RETURN, CUM	B4/Q4
0009735	DIAGRAM, WRG, HORN	B4/Q4/W4
0010371D	DIAGRAM, WRG, LIGHTS, REAR DRIVING	Q4RE
0015966C	DIAGRAM, WRG, LOW COOLANT, CUMM	B4/Q4
0017277A	DIAGRAM, WRG, KNEELING, FEATURE 40015-02	Q4RE
0019343A	DIAGRAM, WRG, LIGHTS DIRECTIONAL	B4/Q4/W4
0020246A	DIAGRAM, WRG, A/C CONTROL, KYSOR	B4/Q4/W4
0020257	DIAGRAM, WRG, LIGHTS, PARK/TAIL	B4/Q4/W4
0020800	DIAGRAM, WRG, FEA 38102-04, CARRIER	Q4RE
0020973	DIAGRAM, WRG, POWER DISTR, INPUT	B4/Q4/W4
0020987A	DIAGRAM, WRG, GROUND DISTR, DDEC	Q4RE
0021129	DIAGRAM, WRG, INTERCONNECT, ELEC SYS	B4/Q4/W4
0021164	DIAGRAM, WRG, ENGINE BRAKE CONTROL, CUM	B4/Q4
0021178	DIAGRAM, WRG, INTERFACE, WANDERLODGE, DDEC	Q4RE
0021564	DIAGRAM, WRG, ELEC SERVICE DOOR	Q4RE
0021811	DIAGRAM, WRG, LIGHTS, STOP, CUMM	B4/W4
0021812	DIAGRAM, WRG, LIGHTS, STOP, DDEC	Q4/W4
0022019	DIAGRAM, WRG, LIGHTS, TAIL	Q4RE
0022029B	DIAGRAM, WRG, TRANS NEUTRAL DISTR, CUMM	B4/Q4
0022037	DIAGRAM, WRG, TRANS NEUTRAL DISTR, DDEC	Q4RE
0022038	DIAGRAM, WRG, SUSPENSION DUMP VALVES, B4/Q4/W4	
0026169	DIAGRAM, WRG, LIGHTS, L/CMPT	B4/Q4
0026194	DIAGRAM, WRG, LIFT DR INTLK/PWR, FEA40051	Q4RE
0026347	DIAGRAM, WRG, GROUND DISTR, CUMM	B4/Q4
0026651	DIAGRAM, WRG, LIFT/LIFT DOOR	Q4RE
0026655	DIAGRAM, WRG, INSTRUCTIONS, SYM	B4/Q4/W4
0028110	DIAGRAM, WRG, LIGHTS, HDLGTS/FRT DRV	B4/Q4/W4
0027239	DIAGRAM, WRG, DEFOGGER, SKYVIEW WINDOW	Q4RE
(A) 0028187	DIAGRAM, WRG, LIGHTS, PARK/TAIL	Q4
(A) 0028196	DIAGRAM, WRG, HVAC ENABLE	Q4
(A) 0028219	DIAGRAM, WRG, SIGN, LUMINATOR	Q4
0028720	DIAGRAM, WRG, LIGHTS, MARKER, ID	B4/Q4/W4

0029198	DIAGRAM, WRG, INTERFACE, CUMM	B4/Q4/W4
(A) 1975580B	DIAGRAM, WRG, COOLANT FAN CTRL, DDEC	Q4/W4
1985787B	DIAGRAM, WRG, CRUISE OVERRIDE, DDEC	Q4/W4
1991579D	DIAGRAM, WRG, LIGHTS, ENG CMPT	B4/Q4/W4
1991595C	DIAGRAM, WRG, ROOF HATCH	Q4RE
1991611G	DIAGRAM, WRG, LIGHTS, LANDING	B4/Q4/W4
1995455B	DIAGRAM, WRG, STARTER INTLK/REAR CTRL	B4/Q4/W4
1995463D	DIAGRAM, WRG, PARK BRAKE CONTROL, DDEC	Q4/W4
1995497E	DIAGRAM, WRG, DRL, PARK BRK CONTROL, CUMM	B4/Q4
1995505D	DIAGRAM, WRG, COOLANT FAN CONTROL, CUMM	B4/Q4
1999853B	DIAGRAM, WRG, DAYTIME RUNNING LIGHTS	B4/Q4/W4
1999861C	DIAGRAM, WRG, ECM RETURN DISTR, DDEC	Q4/W4
(B) 0026630	DIAGRAM, WRG, POWER DISTR, FUSED, DDEC	Q4
(B) 0026344	DIAGRAM, WRG, POWER DISTR, FUSED, CUMM	B4/Q4
	CHASSIS	
0005203B	DIAGRAM, WRG, POWER DISTR, REAR	RCDA
0006433B	DIAGRAM, WRG, ENGINE, CUMMINS, ISM, HC2	RCDA
0007356A	DIAGRAM, WRG, ENGINE, DDEC III, HC2	RCDA
0009289	DIAGRAM, WRG, AIR DRYER	B4/Q4/W4
0009291	DIAGRAM, WRG, VIM PWR	B4/Q4/W4
0009732A	DIAGRAM, WRG, FUEL FILTER, HEATED	B4/Q4
0009736B	DIAGRAM, WRG, GAUGES/WRNING LIGHTS, CUMM	B4/Q4
0019730A	DIAGRAM, WRG, ABS, BENDIX, 6S6M	RCDA
0019827A	DIAGRAM, WRG, PANEL, ELECTRICAL, REAR, HC3	RCDA
0020988	DIAGRAM, WRG, GAUGES, WRNING LIGHTS, DDEC	Q4/W4
0021235	DIAGRAM, WRG, INTERFACE, WANDERLODGE	RCDA
0022731	DIAGRAM, WRG, INTERCONNECT, ELEC SYS	RCDA
(A) 0026652	DIAGRAM, WRG, INSTL, HOT STUD, FUSE, REAR	RCDA
0027528	DIAGRAM, WRG, FRAME COMPONENTS, HC1	RCDA
1800267A	DIAGRAM, WRG, TRANSMISSION, WORLD	RCDA

SR	12/00	A	----	DEL 0026343	BA	KF	6/28/00	12764J	
		A	----	ADDED REV A TO 0019343, 0020246, 0020987, 0028196	BA	KF	6/28/00	12764J	
		A	----	DEL 0020054A, 0022041, 0019551, 0026630, 0026344.	BA	KF	6/28/00	12764J	
		A	----	ADDED 0027239, 0027379, 0027380, 0028219, 0029198.	BA	KF	6/28/00	12764J	
		A	----	ADDED 0020257, 0028110, 0028187, 0028720, 0027528.	BA	KF	6/28/00	12764J	
ADD 0026344, 0026650	LET.	WAS	REVISTONS				DR.	APP.	CCN
	CCN	BLUE BIRD CORPORATION						SCALE	
	12762B	FORT VALLEY GEORGIA, U. S. A.						NONE	
	MANUAL, MAINTENANCE, WIRING								
								Q4	
	DR.	4/30/00	BY	TH	B	0026654		PAGE	
	APP.	4/30/00	BY	TH				OF	

INACTIVATES NOS. 0008467

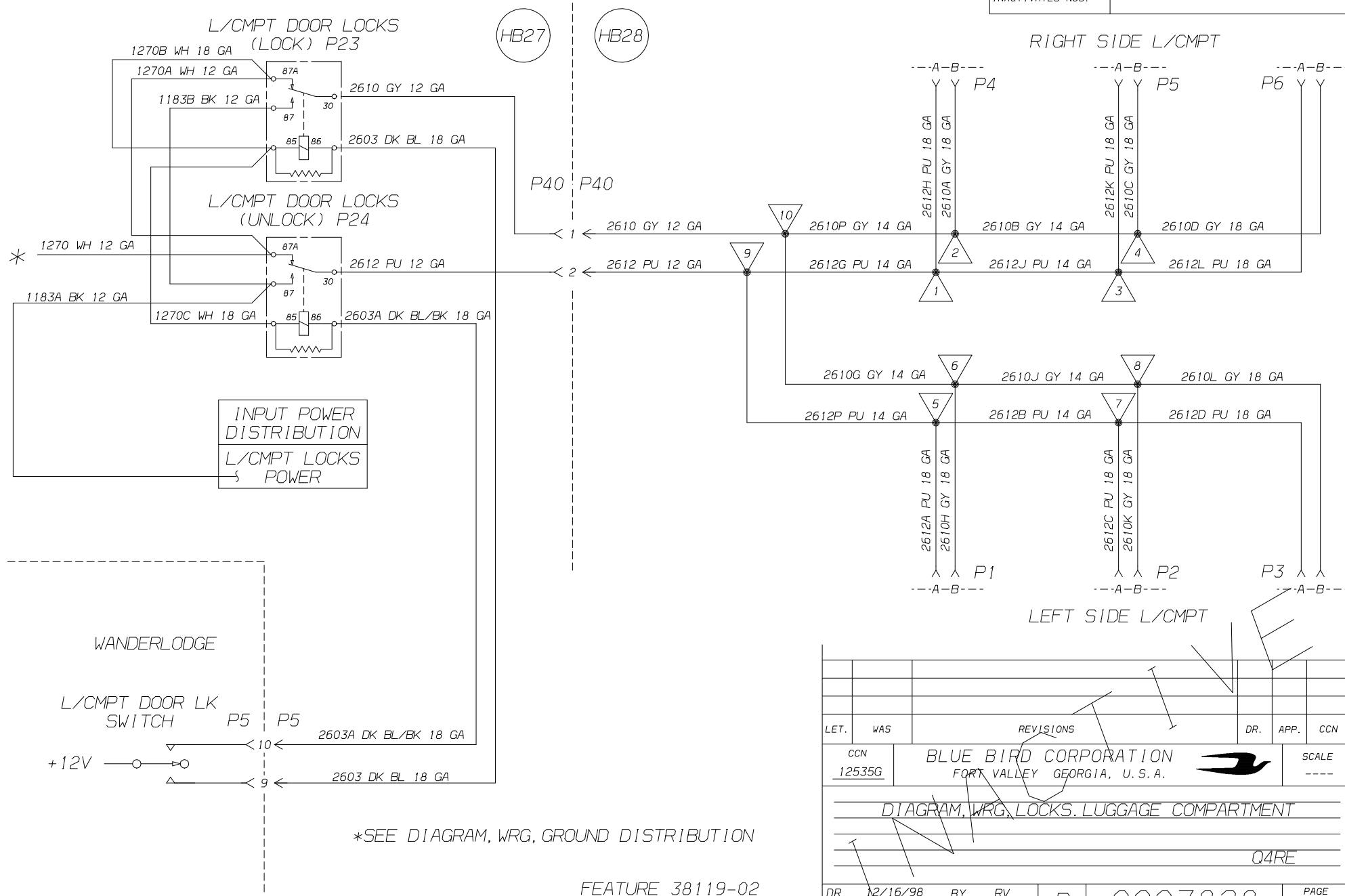


FEBRUARY 2, 2000 15:47.46  
 05/14/2007  
 05/14/2007  
 05/14/2007

B	---	MATCHED CONNECTOR NUMBERS	SR	RV	12682E
A	---	ADDED WANDERLODGE WIRING	AL	EA	12110F
LET.	WAS	REVISIONS	DR.	APP.	CCN
CCN	BLUE BIRD CORPORATION			SCALE	
12243G	FORT VALLEY GEORGIA, U.S.A.			NONE	
DIAGRAM, WRG, LIGHTS, BACK UP					
Q4RE					
DR.	02/05/98	BY	AL	B	0000240
APP.	3/18/98	BY	RV		
INACTIVATES NOS.				PAGE	OF

0007828 BDIAGRAM, WRG, LOCKS, L/CMPT Q4RE 12535G\$000RVV  
 05/14/2007 RELEASED BY NRN 12839  
 FEBRUARY 26, 1999  
 07/14/37

INACTIVATES NOS.



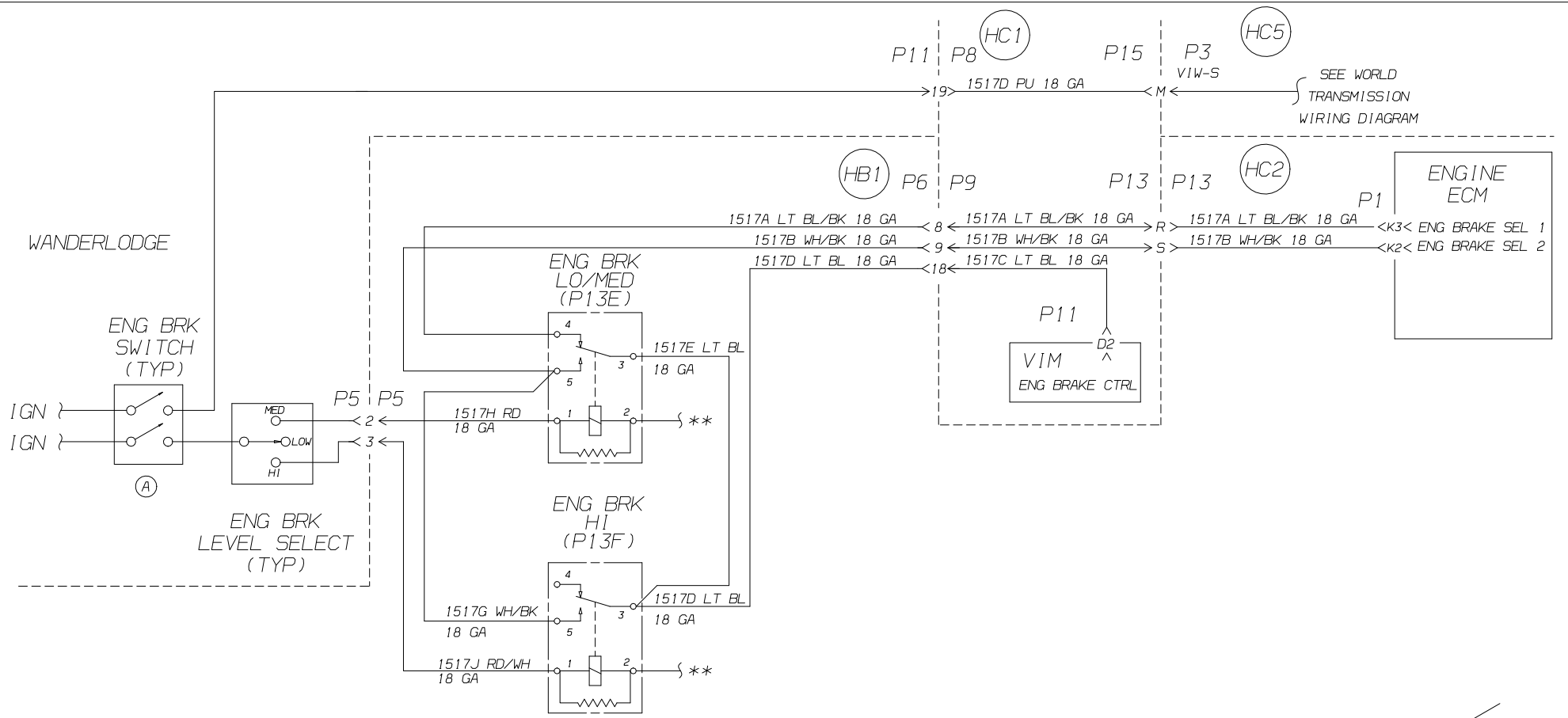
\*SEE DIAGRAM, WRG, GROUND DISTRIBUTION

FEATURE 38119-02

LET.	WAS	REVISIONS	DR.	APP.	CCN
CCN	BLUE BIRD CORPORATION			SCALE	
12535G	FORT VALLEY GEORGIA, U. S. A.			----	
DIAGRAM, WRG, LOCKS, LUGGAGE COMPARTMENT					
Q4RE					
DR.	12/15/98	BY	RV	B	0007828
APP.	3/1/99	BY	RV		



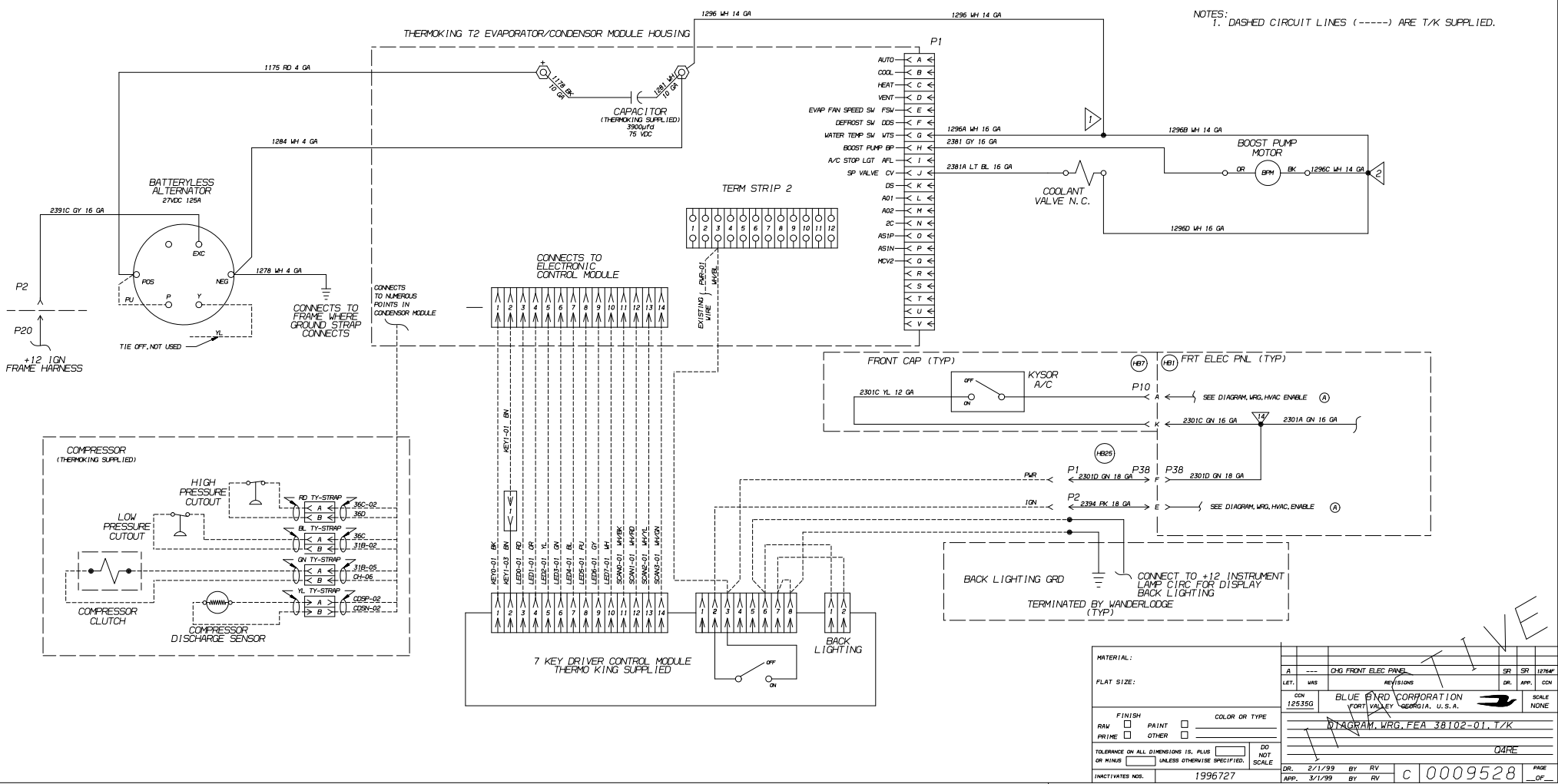
REPLACED BY NRN 12839  
 FEBRUARY 3, 2000  
 FRAME 14/2007  
 05/14/2007  
 15.53.00  
 15.53.00



(A) \*\* SEE DIAGRAM, WRG, GRD DIST

A		CHG SWITCH DIAGRAM AND REFERENCE		SR	RV	12682E	
LET.	WAS	REVISIONS			DR.	APP.	CCN
CCN		BLUE BIRD CORPORATION			SCALE		
12535G		FORT VALLEY GEORGIA, U. S. A.			NONE		
DIAGRAM, WRG, ENGINE BRAKE, DDEC							
Q4/W4							
DR.	2/2/99	BY	RV	B	0009527	PAGE	
APP.	3/1/99	BY	RV			OF	

INACTIVATES NOS. 1975606



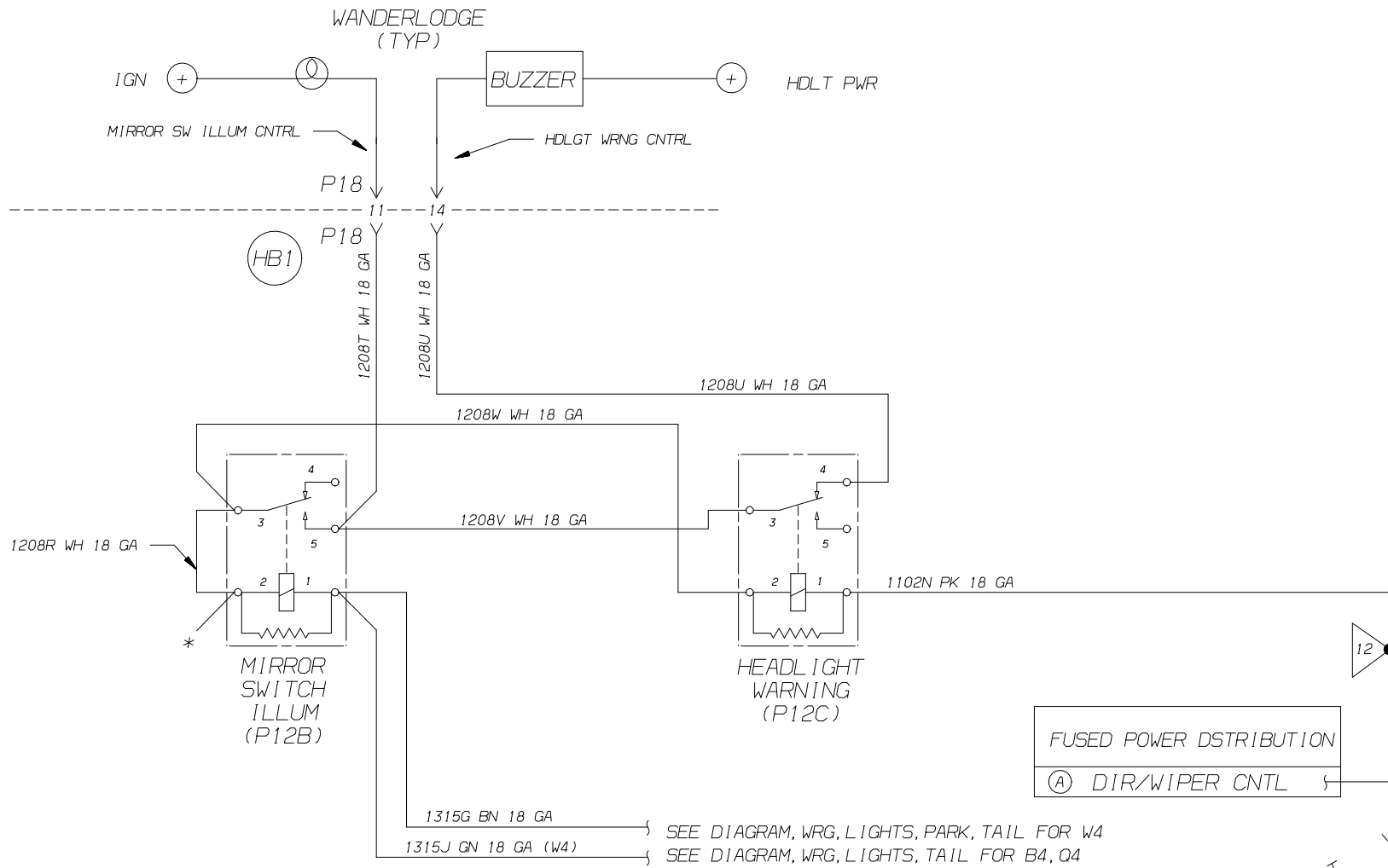
NOTES:  
1. DASHED CIRCUIT LINES (-----) ARE T/K SUPPLIED.

FRAME 1 DECEMBER 12, 2000 17.01.32

MATERIAL:							
FLAT SIZE:		A		SR		SR	
FINISH:		RAW <input type="checkbox"/>		PAINT <input type="checkbox"/>		COLOR OR TYPE	
TOLERANCE ON ALL DIMENSIONS IS, PLUS OR MINUS:		UNLESS OTHERWISE SPECIFIED.		DO NOT SCALE		DATE	
INACTIVATES NOS. 1996727		DR. 2/1/99		BY RV		PAGE	
		APP. 3/1/99		BY RV		C 0009528	
						SCALE NONE	

BLUE BIRD CORPORATION  
FORT VALLEY, GEORGIA, U.S.A.  
DIAGRAM, WRG, FEA 38102-01, T/K

05/14/2007 RELEASED BY NRN 12839  
 FEBRUARY 3 2000  
 15.53.51  
 1



SEE DIAGRAM, WRG, LIGHTS, PARK, TAIL FOR W4  
 SEE DIAGRAM, WRG, LIGHTS, TAIL FOR B4, Q4

(\*) SEE GROUND DISTRIBUTION

INACTIVATES NOS.	1991553, 1991561	LET.	WAS	CHG FUSED PWR DESCRIPTION	RV	RV	12682E
				REVISIONS	DR.	APP.	CCN

CCN 12535G	BLUE BIRD CORPORATION FORT VALLEY GEORGIA, U.S.A.	SCALE NONE
DIAGRAM, WRG, MIRROR SW ILUM, HDLGT WRNG		
B4/Q4/W4		
DR. 2/2/99	BY RV	B 0009561
APP. 3/1/99	BY RV	
		PAGE OF

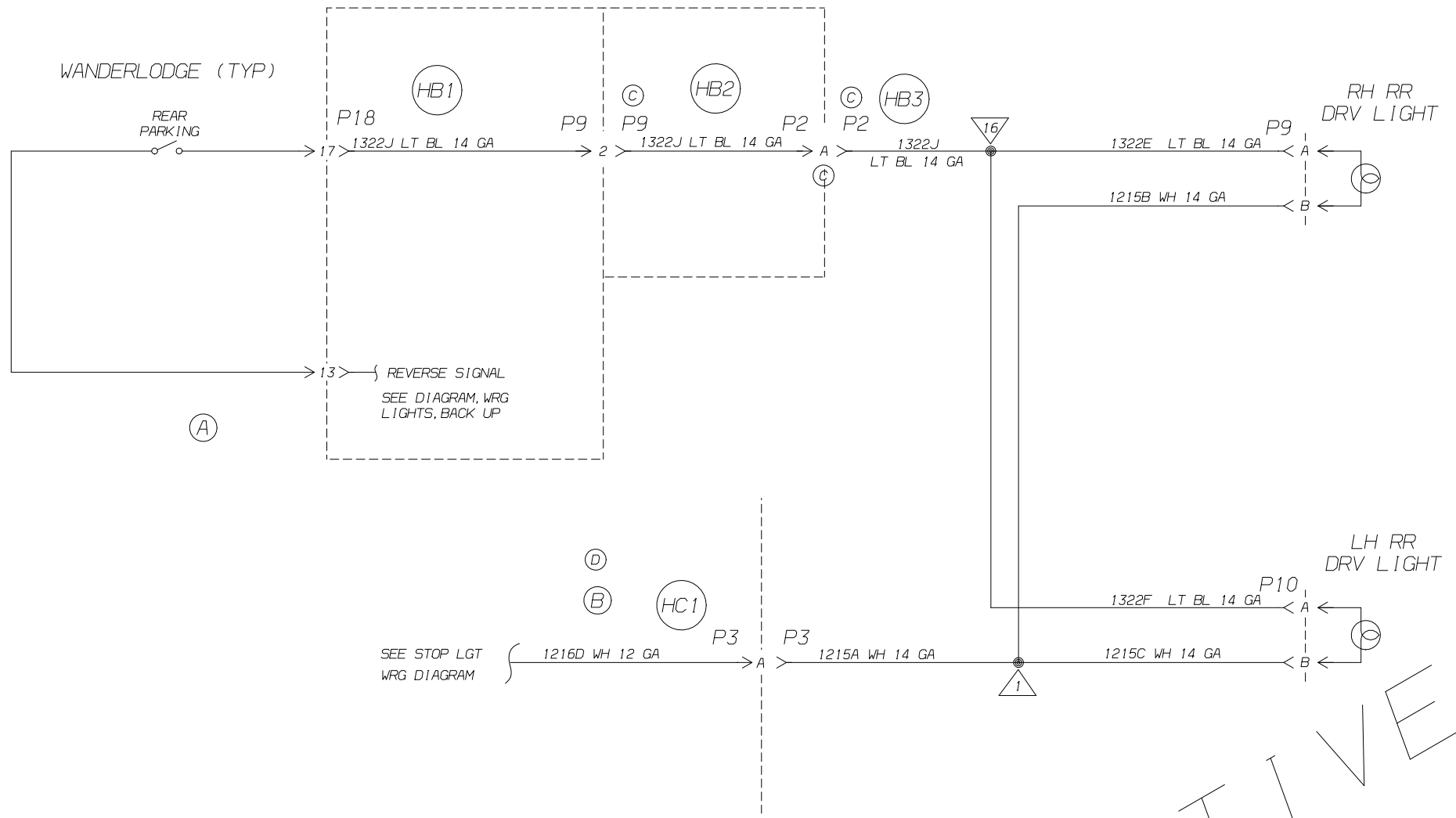
INVENTIVE








05/14/2007 REPLACED BY NRN 12839  
 16.01.01  
 FEBRUARY 3, 2000  
 FRAME



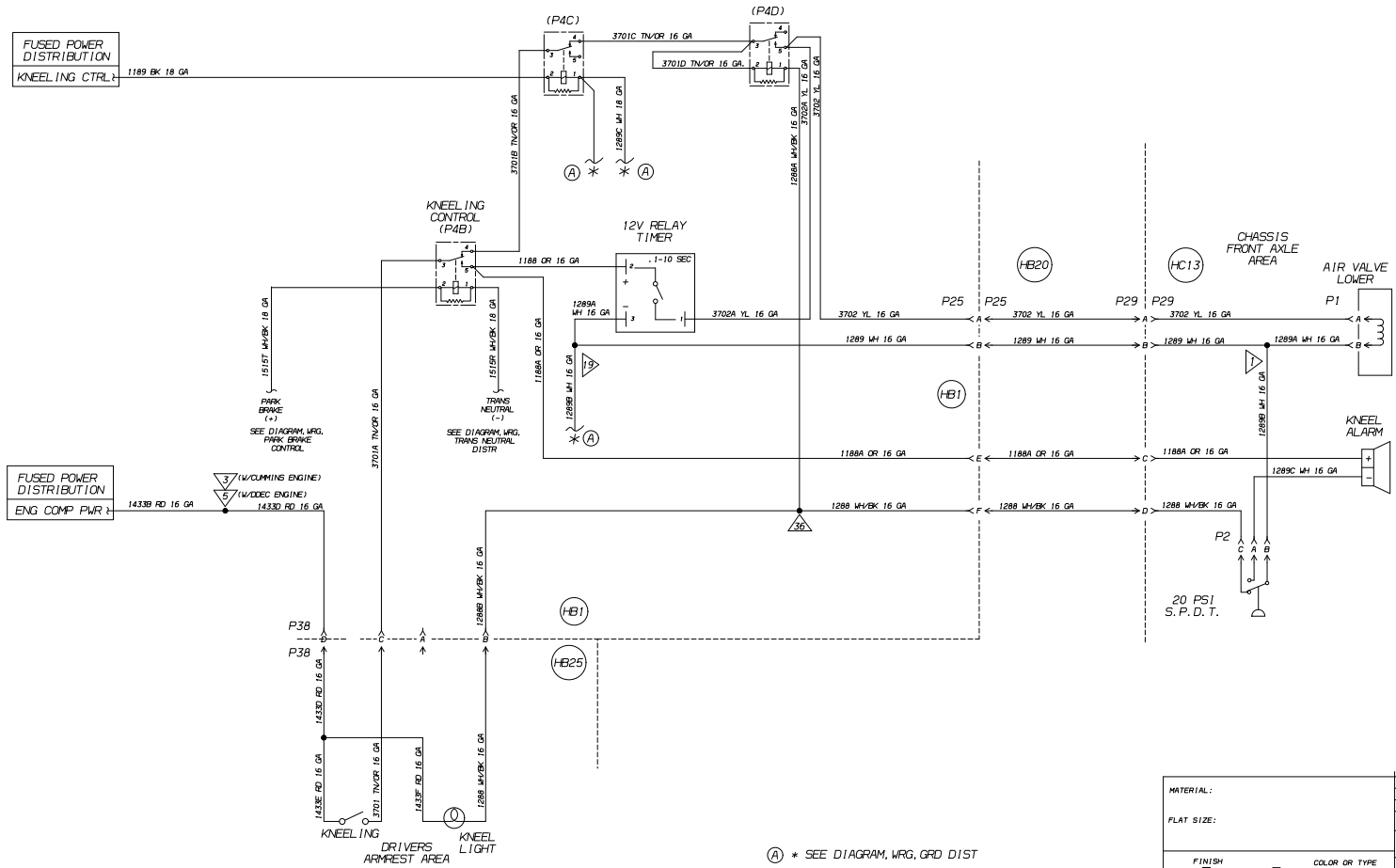
D	---	CHG HC8 TO HC1	RV	RV	12682E
C	---	CHG CONNECTORS AND PIN DESIGNATIONS	RV	RV	12682E
B	---	ADDED HC8	RV	RV	12447B
A	---	ADDED WANDERLODGE WIRING	AL	EA	12110F

INACTIVATES NOS.	LET.	WAS	REVISIONS	DR.	APP.	CCN
------------------	------	-----	-----------	-----	------	-----

CCN 12243G	BLUE BIRD CORPORATION FORT VALLEY GEORGIA, U.S.A.		SCALE NONE
DIAGRAM, WRG, LIGHTS, REAR DRIVING			
Q4RE			
DR.	2/27/98	BY RV	B 0010371
APP.	3/18/98	BY RV	
			PAGE OF

TENTATIVE





FUSED POWER DISTRIBUTION  
ENG COMP PWR  
1433B RD 16 GA

FUSED POWER DISTRIBUTION  
KNEELING CTRL.  
1189 BK 18 GA

KNEELING CONTROL (P4B)

12V RELAY TIMER  
1-10 SEC

CHASSIS FRONT AXLE AREA

AIR VALVE LOWER

KNEEL ALARM

20 PSI S.P.D.T.

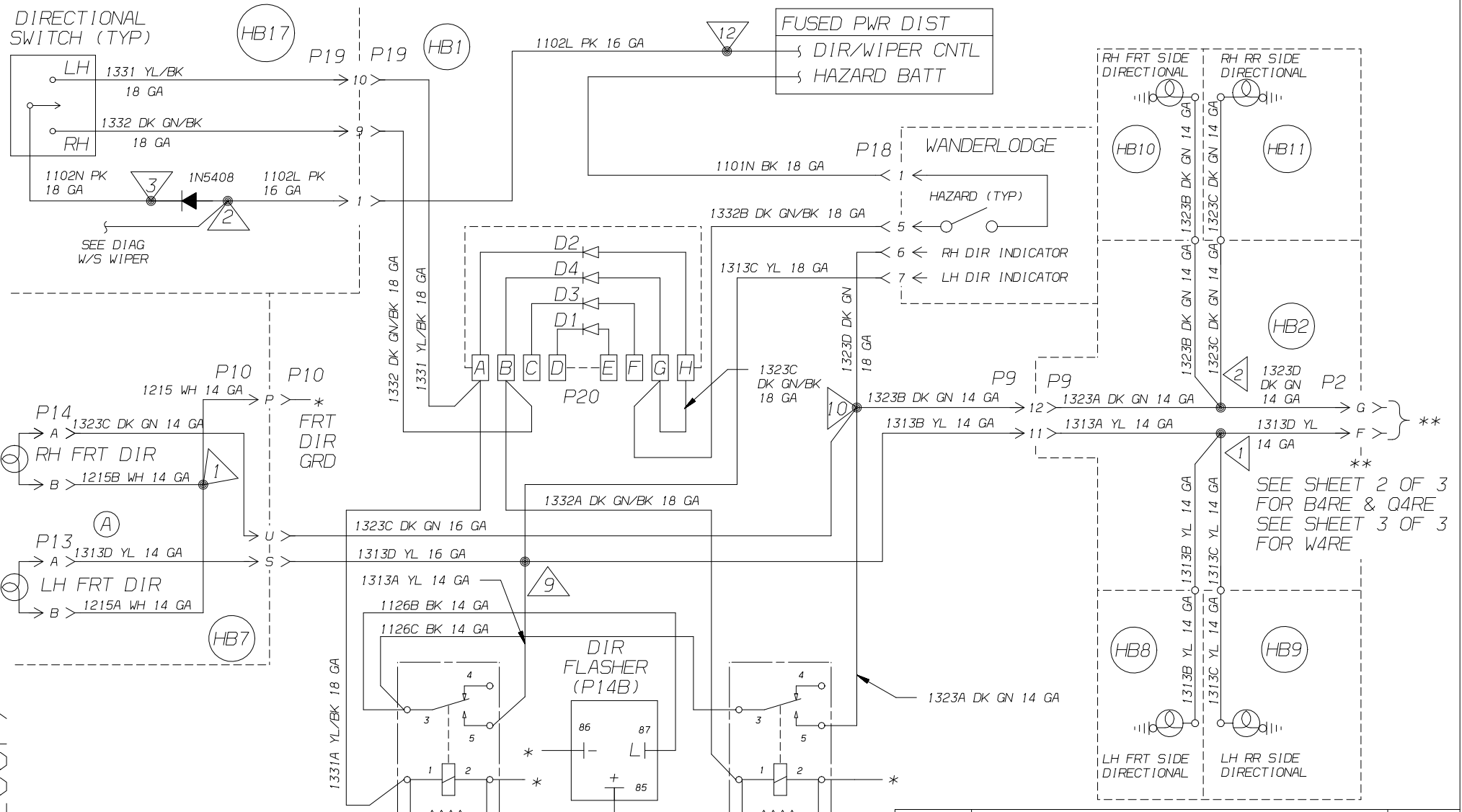
KNEELING  
DRIVERS ARMREST AREA  
KNEEL LIGHT

(A) \* SEE DIAGRAM, WRG, GRD DIST

MATERIAL:					
FLAT SIZE:					
FINISH	RAW <input type="checkbox"/>	PAINT <input type="checkbox"/>	COLOR OR TYPE		
PRIME	<input type="checkbox"/>	OTHER <input type="checkbox"/>			
TOLERANCE ON ALL DIMENSIONS IS, PLUS OR MINUS UNLESS OTHERWISE SPECIFIED.			DO NOT SCALE		
INACTIVATES NOS.	0007829				
DR. 8/28/99	BY SWJ				PAGE 04RE
APP. 10/26/99	BY HE				OF 0017277

A	ADDED NOTE	REV	DATE	BY
1				
BLUE BIRD CORPORATION FORT VALLEY, GEORGIA, U.S.A.				
DIAGRAM WIRING, KNEELING, FEATURE 40015-02				

0017277A FEBRUARY 2, 2000 11:03:06



JUNE 28, 2000 14:58:04  
 2007  
 emp  
 INACTIVATES NOS.

FUSED PWR DIST  
DIR/HAZARD  
FLASHER

SEE GROUND  
DISTRIBUTION  
WRG DIAGRAM

A	--	CHG 1313 TO 1313D AND 1323 TO 1323C.	6/1/00	KF	12764J
LET.	WAS	REVISIONS	DR.	APP.	CCN

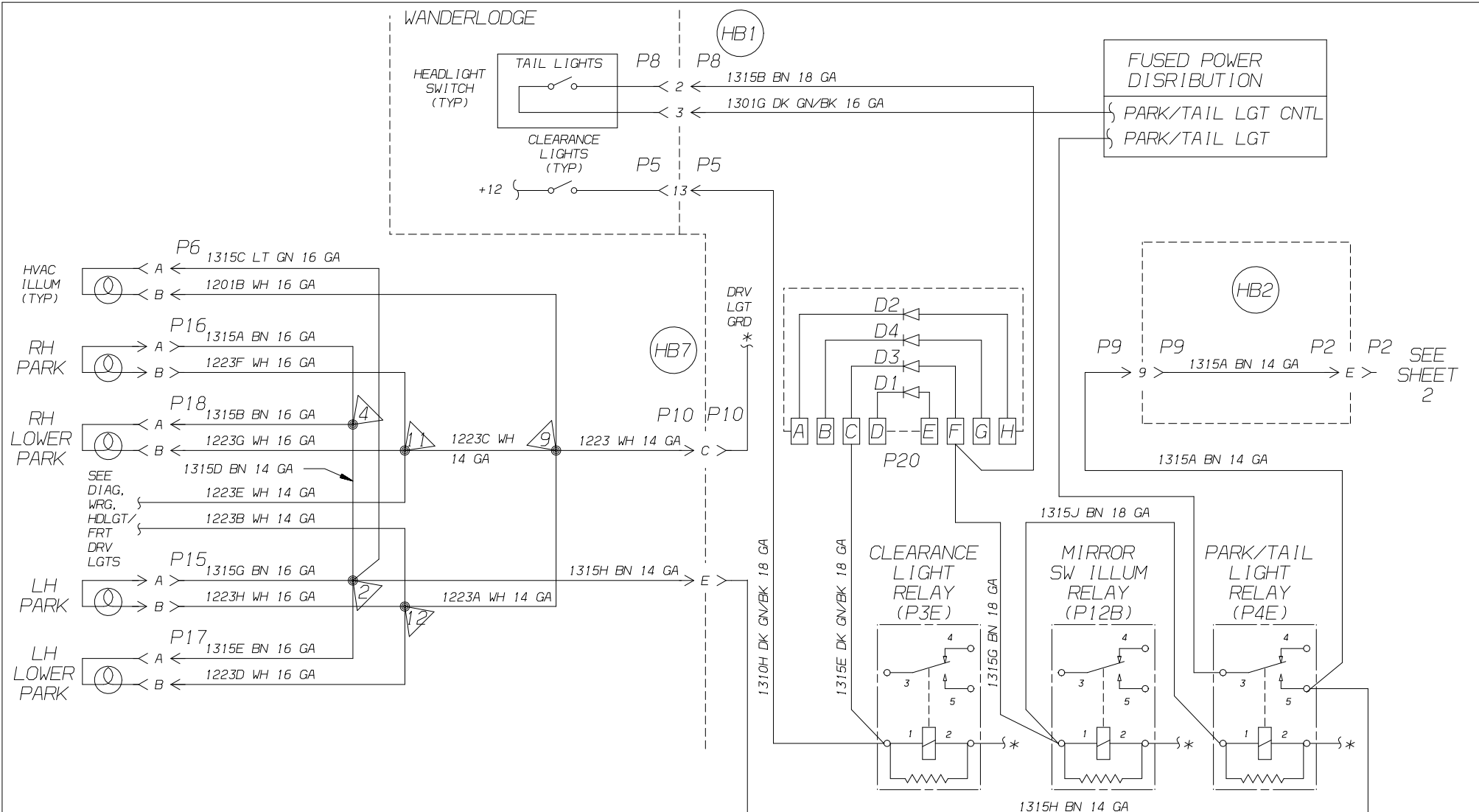
CCN 12682E	BLUE BIRD CORPORATION FORT VALLEY GEORGIA, U. S. A.	SCALE NONE
DIAGRAM, WRG, LIGHTS, DIRECTIONAL		
B4/Q4/W4		
DR. 12/10/99 BY AWSmith	B	0019343
APP. 2/2/00 BY R.Vette		
		PAGE 1 OF 3











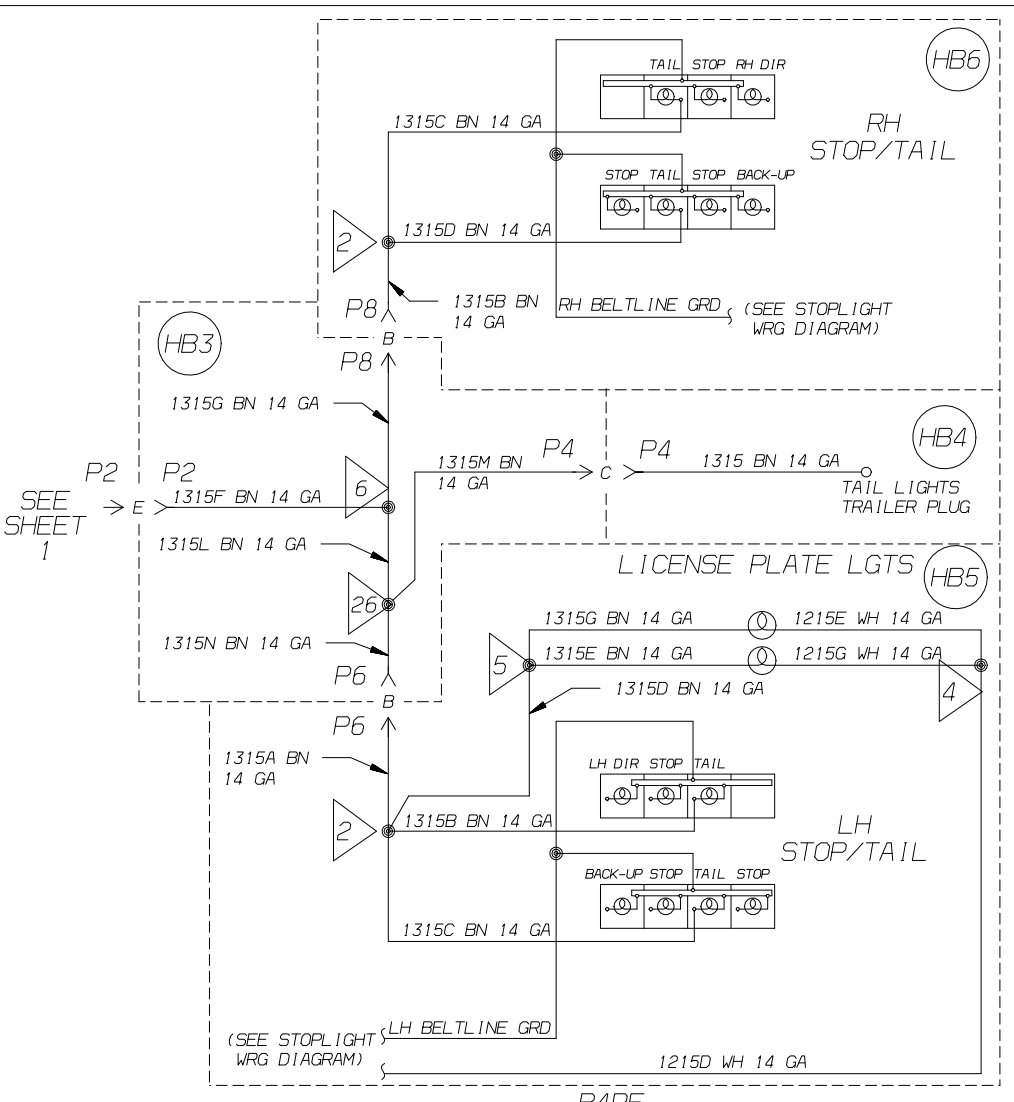
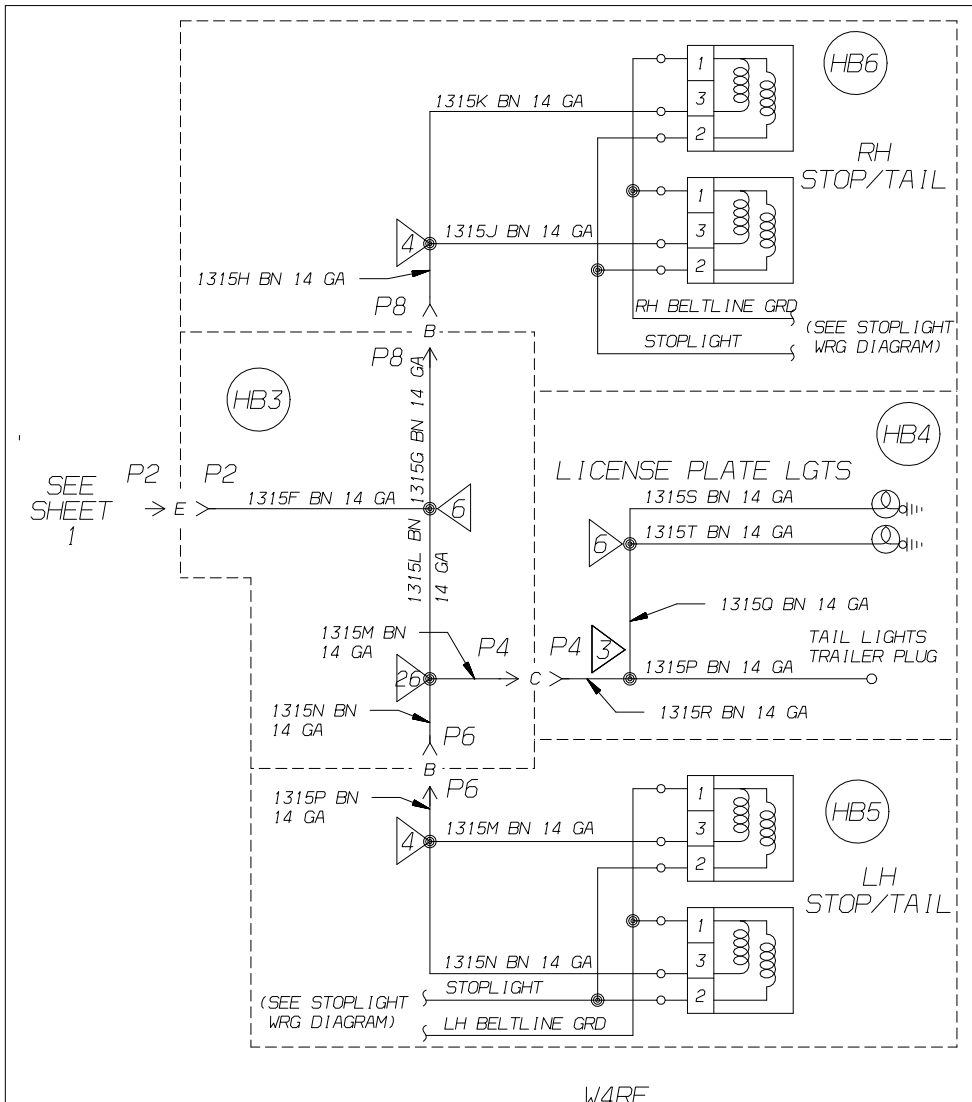
FEBRUARY 2, 2000  
 16.17.12  
 05/14/2007  
 rjvetele  
 FRAME

(\*) SEE GROUND DISTRIBUTION WRG DIAGRAM


CCN 12682E	BLUE BIRD CORPORATION FORT VALLEY GEORGIA, U. S. A.	SCALE NONE
DIAGRAM, WRG, LIGHTS, PARK/TAIL		
B4/W4		
DR. 10/22/99	BY RV	B 0020257
APP. 2/2/00	BY RV	
INACTIVATES NOS. 1989391, 1995398	LET. WAS	REVISIONS
DR.	APP.	CCN
PAGE 1 OF 2		

0020257 BDIAGRAM, WRG, LIGHTS, PARK/TAIL  
 FEBRUARY 2, 2000 16.18.42  
 05/14/2007  
 rjxette  
 FRAME

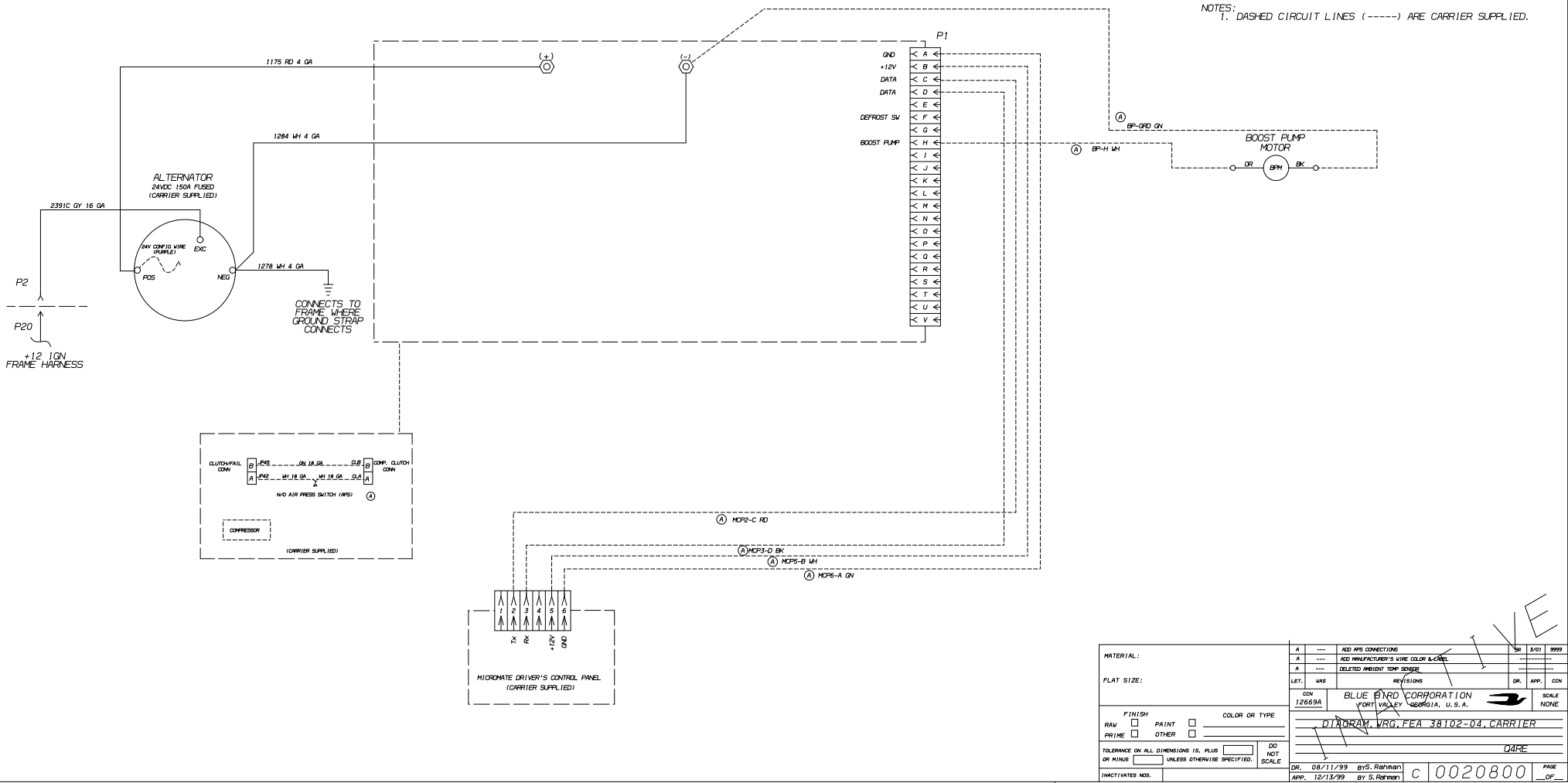
B4/W412682E\$02RVRV



INACTIVATES NOS.	1989391, 1995398	LET.	WAS	REVISIONS	DR.	APP.	CCN

CCN 12682E	BLUE BIRD CORPORATION FORT VALLEY GEORGIA, U. S. A.	SCALE NONE
DIAGRAM, WRG, LIGHTS, PARK/TAIL		
B4/W4		
DR. 10/25/99	BY RV	B 0020257
APP. 2/2/00	BY RV	
PAGE		2 OF 2

NOTES:  
1. DASHED CIRCUIT LINES (-----) ARE CARRIER SUPPLIED.

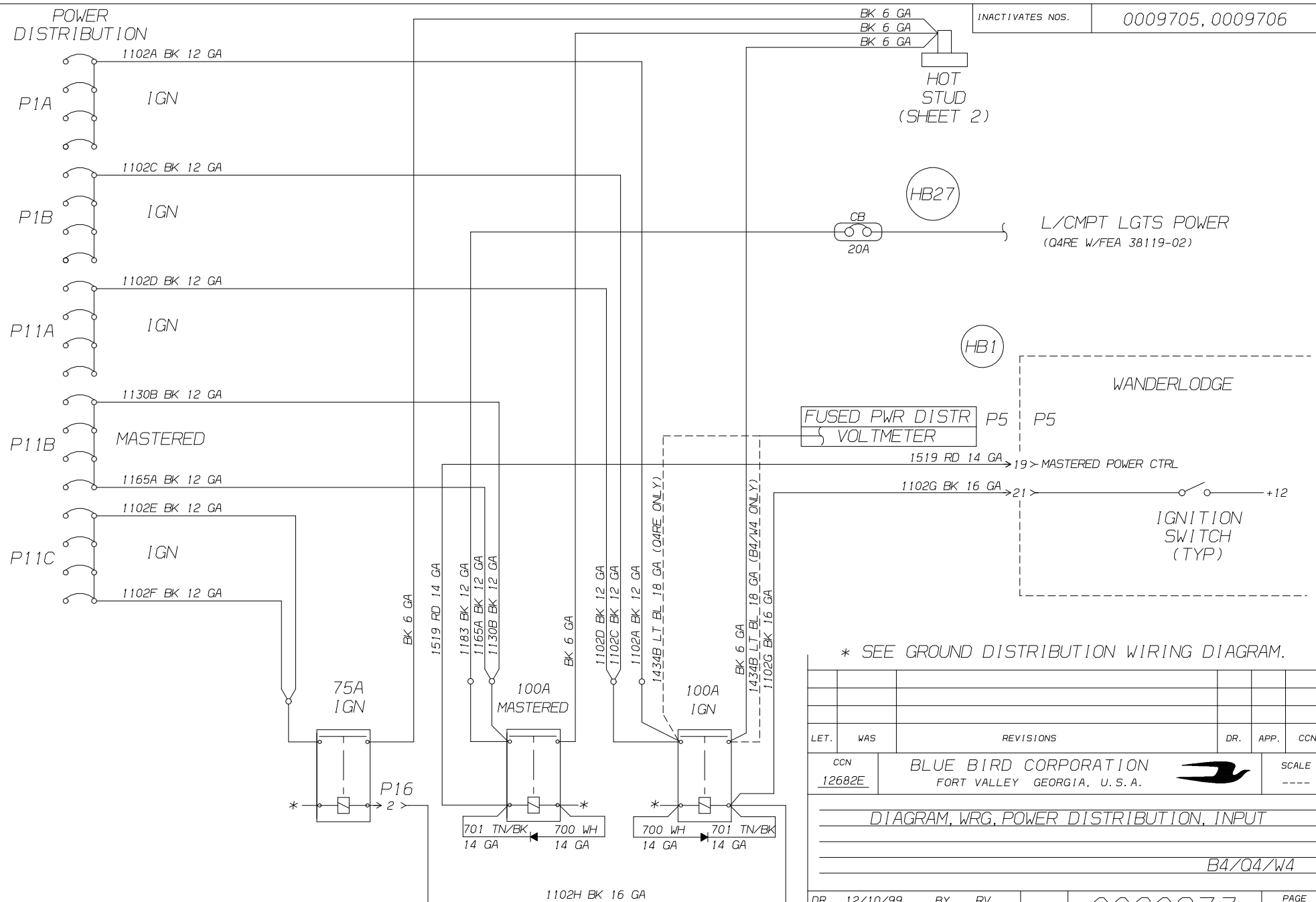


10-38-55  
 MARCH 20, 2001  
 FRAME 1  
 srachman

MATERIAL:	A ---	ADD WPS CONNECTIONS	SP	3/01	9999
FLAT SIZE:	A ---	ADD MANUFACTURER'S WIRE COLOR & CODE			
	A ---	DELETE AMBIENT TEMP SENSORS			
FINISH:	RAW <input type="checkbox"/>	PAIN <input type="checkbox"/>	COLOR OR TYPE		
	PRIME <input type="checkbox"/>	OTHER <input type="checkbox"/>			
TOLERANCE ON ALL DIMENSIONS IS, PLUS OR MINUS UNLESS OTHERWISE SPECIFIED.			DO NOT SCALE		
INACTIVATES NOS.					
DR. 08/11/99 BY S. Robinson		DATE		PAGE	
APP. 12/13/99 BY S. Robinson		C 0020800		OF	

ACTIVE

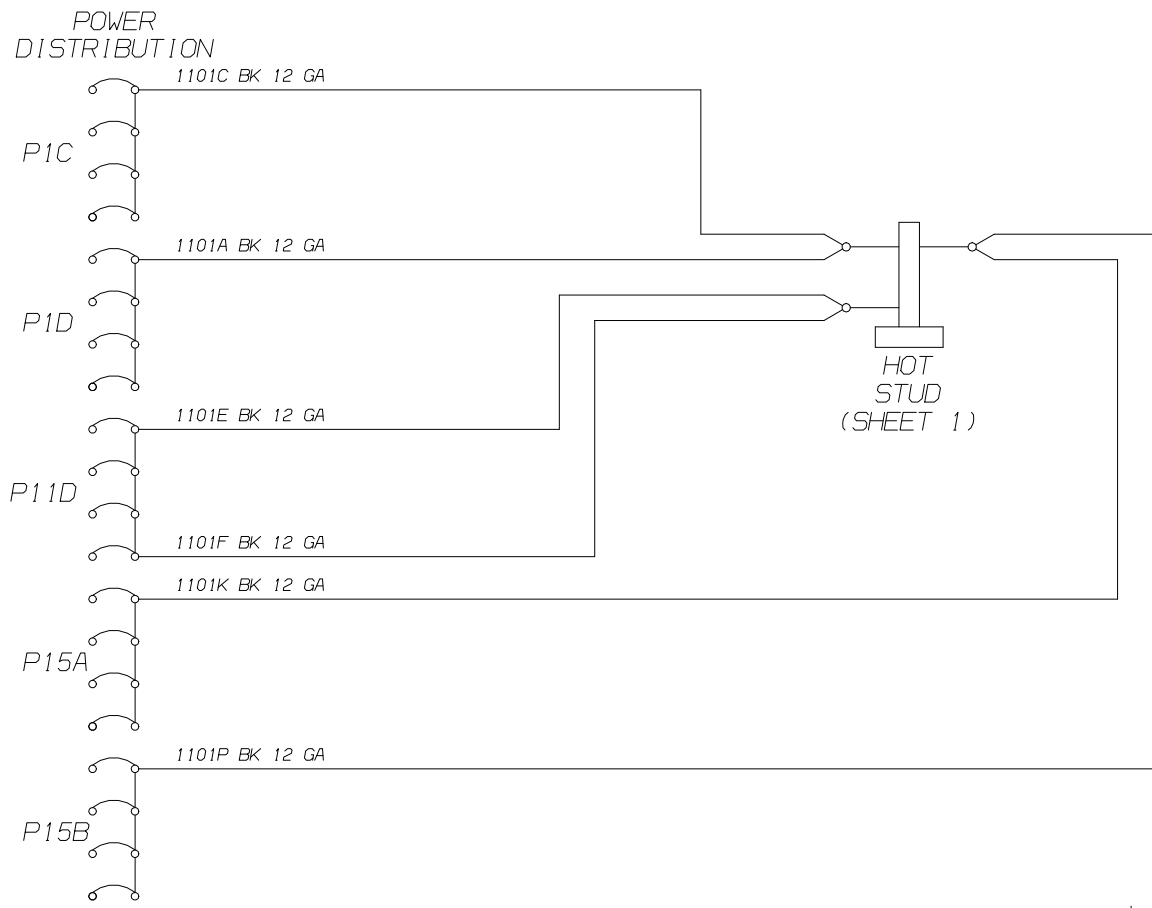
INACTIVATES NOS. 0009705, 0009706



\* SEE GROUND DISTRIBUTION WIRING DIAGRAM.

LET.	WAS	REVISIONS	DR.	APP.	CCN
CCN	BLUE BIRD CORPORATION			SCALE	
12682E	FORT VALLEY GEORGIA, U.S.A.			----	
DIAGRAM, WRG, POWER DISTRIBUTION, INPUT					
B4/Q4/W4					
DR.	12/10/99	BY	RV	B	0020973
APP.	2/2/00	BY	RV		
					PAGE 1 of 2

16.30.05  
 FEBRUARY 2, 2000  
 05/14/2007  
 FRAME  
 rjw@ete1

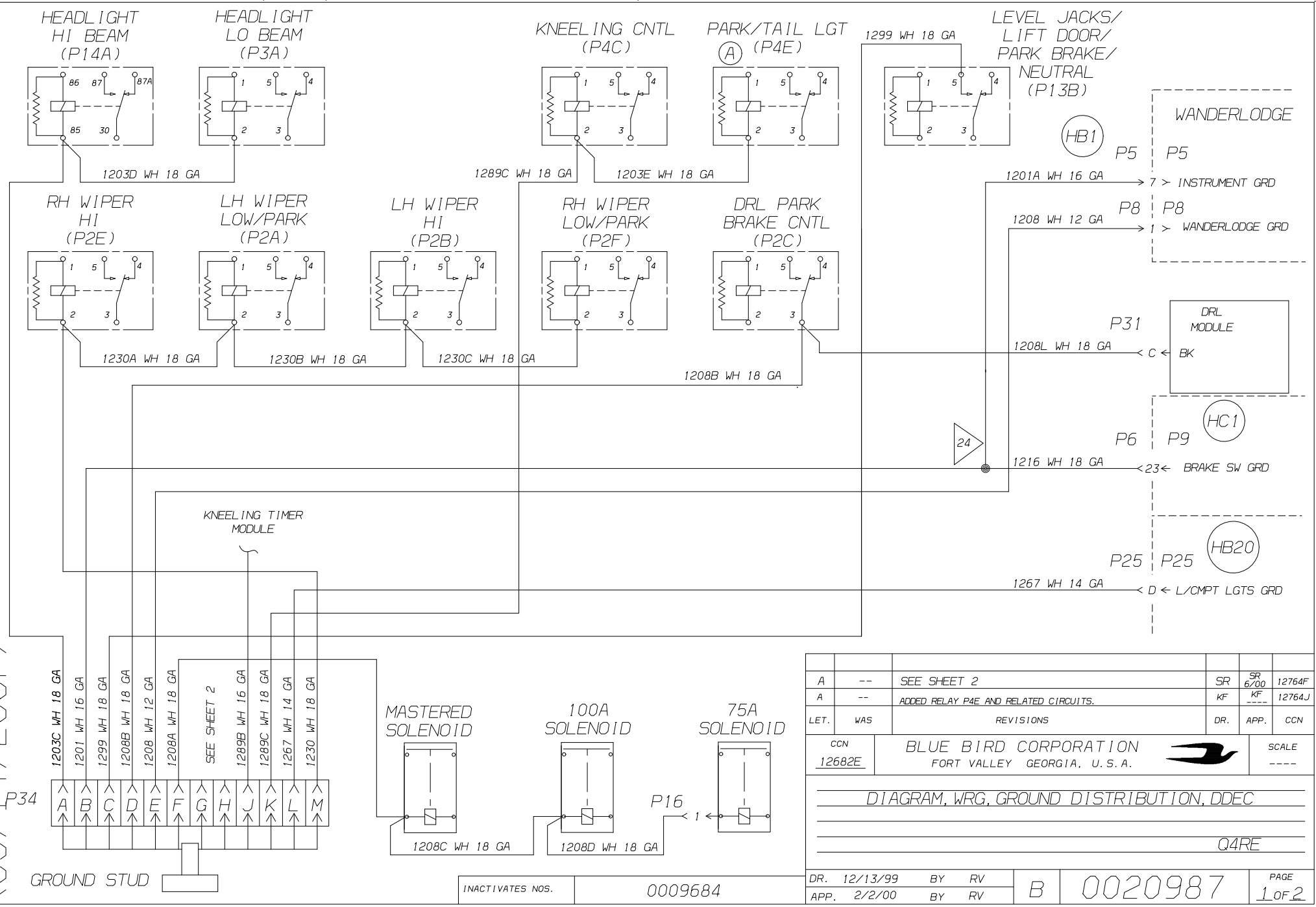


FEBRUARY 2, 2000 16.31.25  
 05/14/2002  
 FRAME 1  
 rjvetel

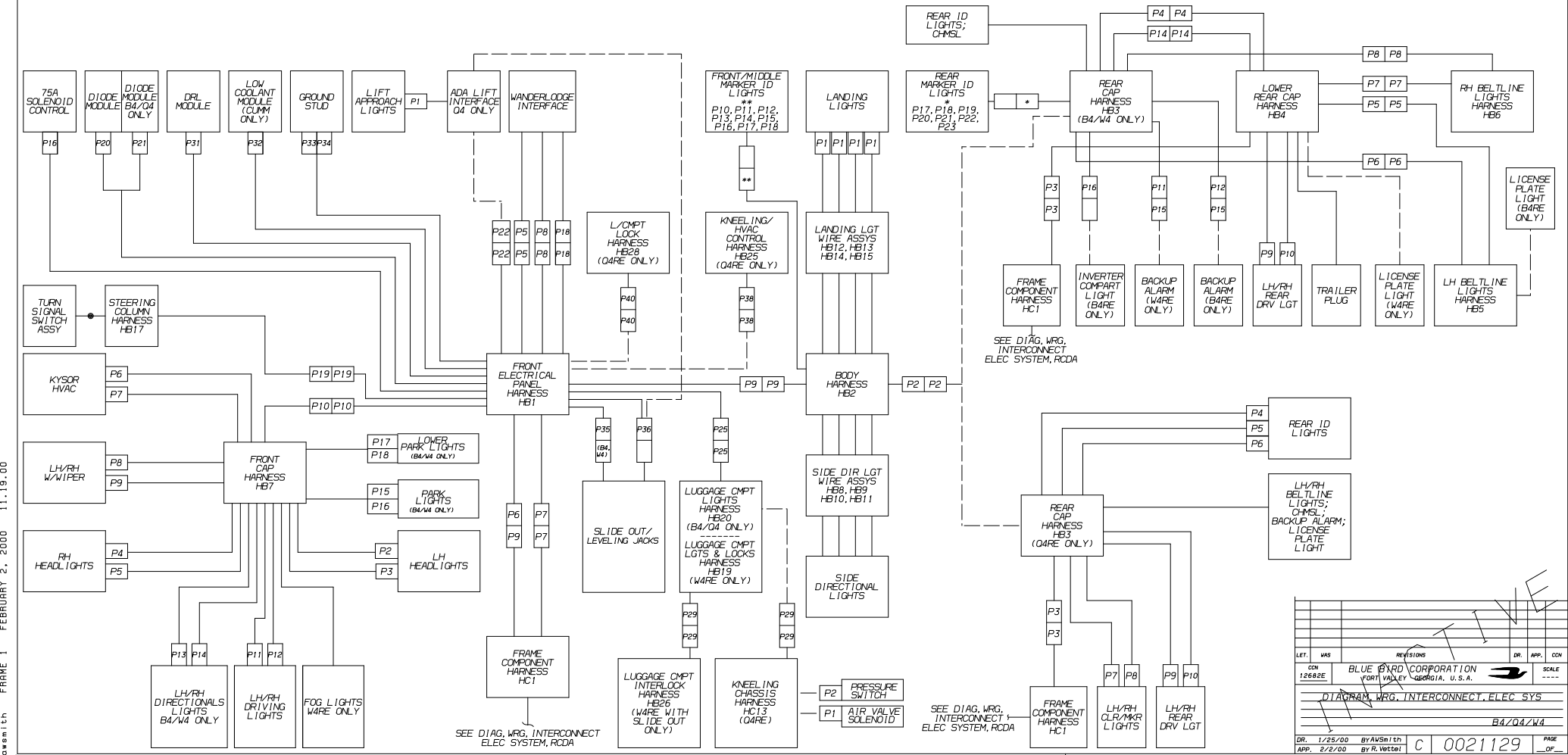
LET.	WAS	REVISIONS	DR.	APP.	CCN
CCN 12682E	BLUE BIRD CORPORATION FORT VALLEY GEORGIA, U. S. A.			SCALE ----	
DIAGRAM, WRG, POWER DISTRIBUTION, INPUT					
B4/Q4/W4					
DR. 12/10/99		BY RV		B	0020973
APP. 2/2/00		BY RV			

INACTIVATES NOS. 0009705, 0009706

15.55.04  
 JUNE 28, 2000  
 2007  
 emp  
 003



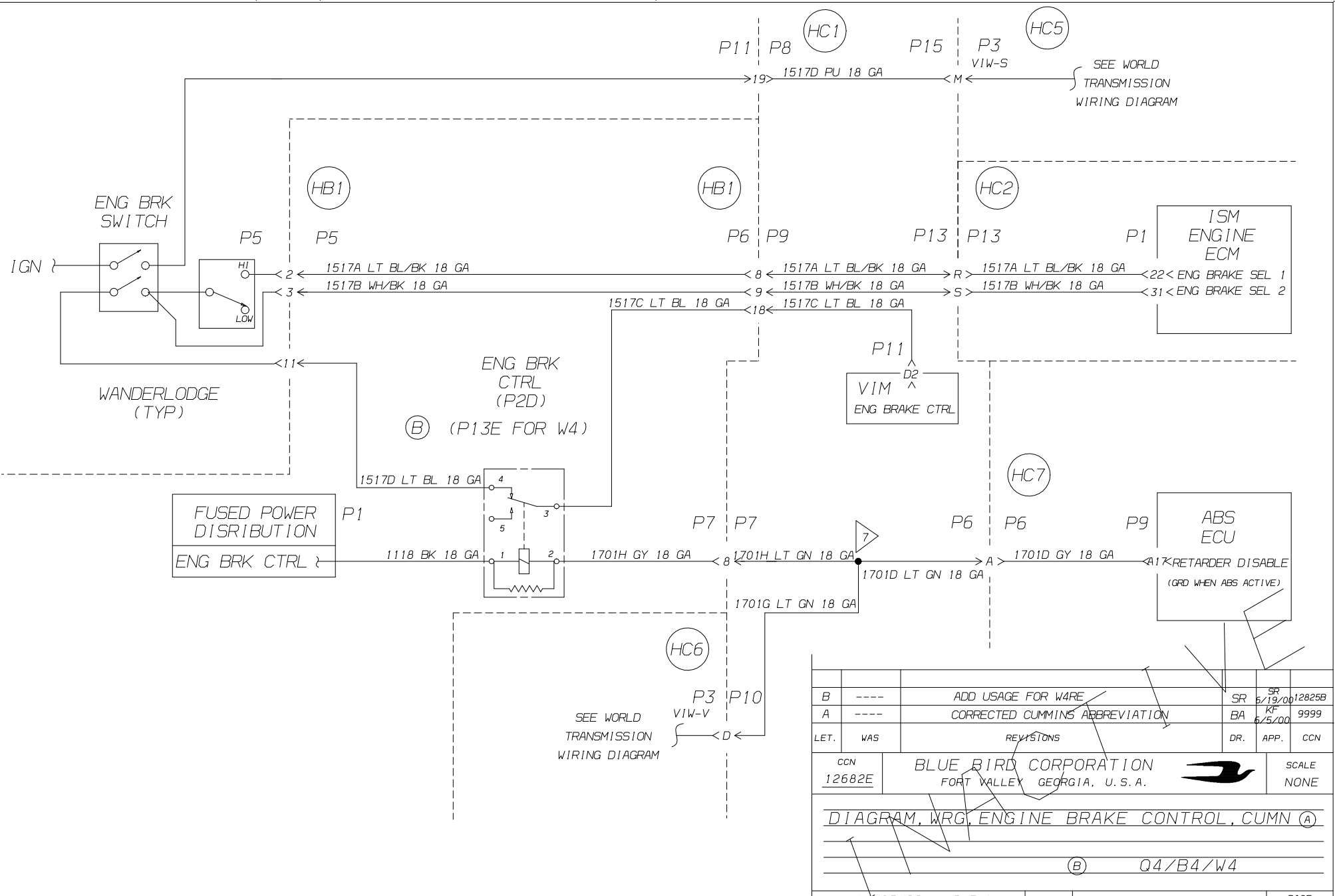
A	--	SEE SHEET 2	SR	SR 6/00	12764F	
A	--	ADDED RELAY P4E AND RELATED CIRCUITS.	KF	KF	12764J	
LET.	WAS	REVISIONS	DR.	APP.	CCN	
CCN	BLUE BIRD CORPORATION FORT VALLEY GEORGIA, U. S. A.			SCALE ----		
DIAGRAM, WRG, GROUND DISTRIBUTION, DDEC						
Q4RE						
DR.	12/13/99	BY	RV	B	0020987	
APP.	2/2/00	BY	RV			
INACTIVATES NOS.				0009684		
				PAGE	1 OF 2	



FEBRUARY 2, 2000 11:19:00  
 FRAME 1  
 0wsm lth

LET.	WAS	REVISIONS	DR.	APP.	CDN
CON	12682E	BLUE BIRD CORPORATION FORT VALLEY, GEORGIA, U.S.A.			SCALE
DIAGRAM, WRG, INTERCONNECT, ELEC SYS					
B4/Q4/W4					
DR.	1/25/00	BY AUS/14th	C	0021129	PAGE
APP.	2/2/00	BY R. Vetto1			_OF_

2002/14/2002 RELEASED BY NRN 12839  
 29, 2000 JUNE 14, 2000



B	----	ADD USAGE FOR W4RE	SR	SR	5/19/00	12825B
A	----	CORRECTED CUMMINS ABBREVIATION	BA	KF	5/5/00	9999
LET.	WAS	REVISTONS	DR.	APP.	CCN	
CCN	12682E	BLUE BIRD CORPORATION FORT VALLEY, GEORGIA, U. S. A.			SCALE NONE	
DIAGRAM, WRG, ENGINE BRAKE CONTROL, CUMN (A)						
(B) Q4/B4/W4						
DR.	1/23/99	BYS. Rahman	B	0021164	PAGE	
APP.	2/2/00	By S. Rahman			OF	

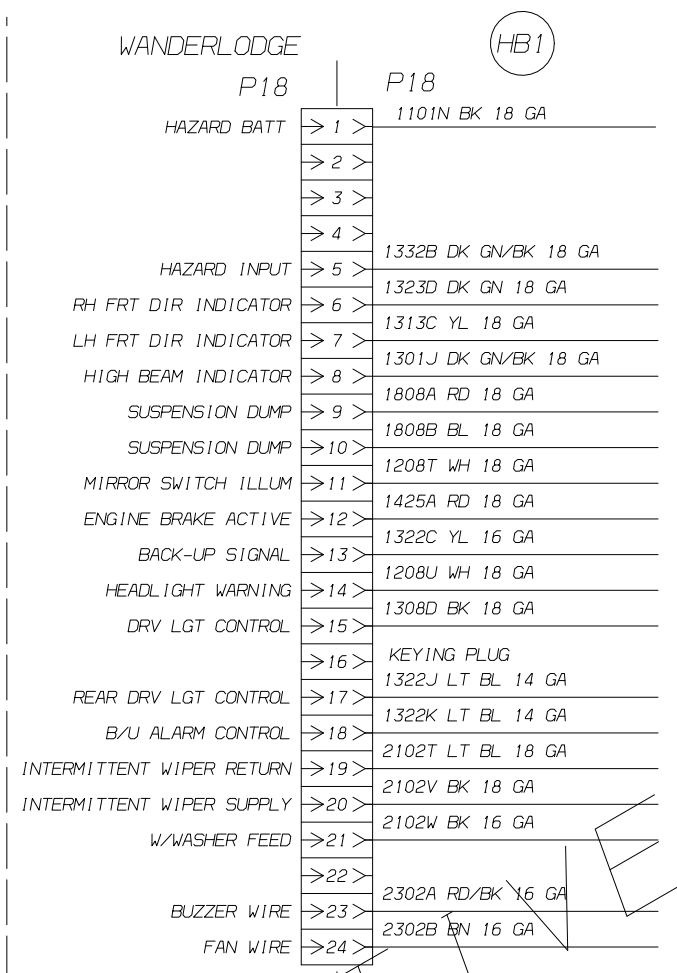
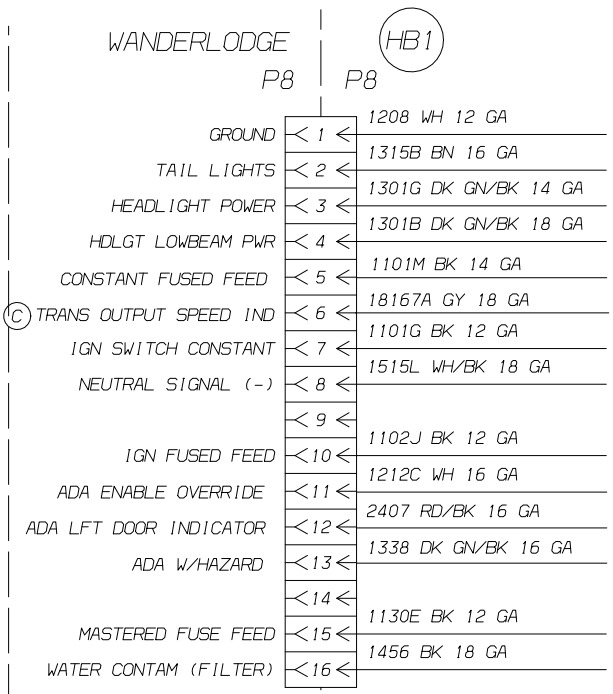
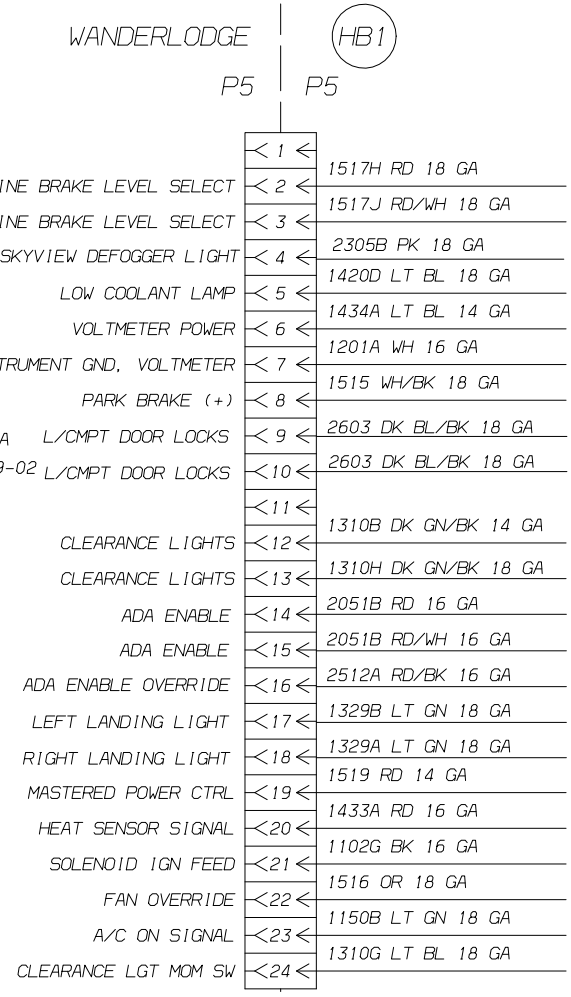
INACTIVATES NOS. 0009734




BODY INTERFACE IN FRONT ELECTRICAL PANEL

INACTIVATES NOS. 1971084

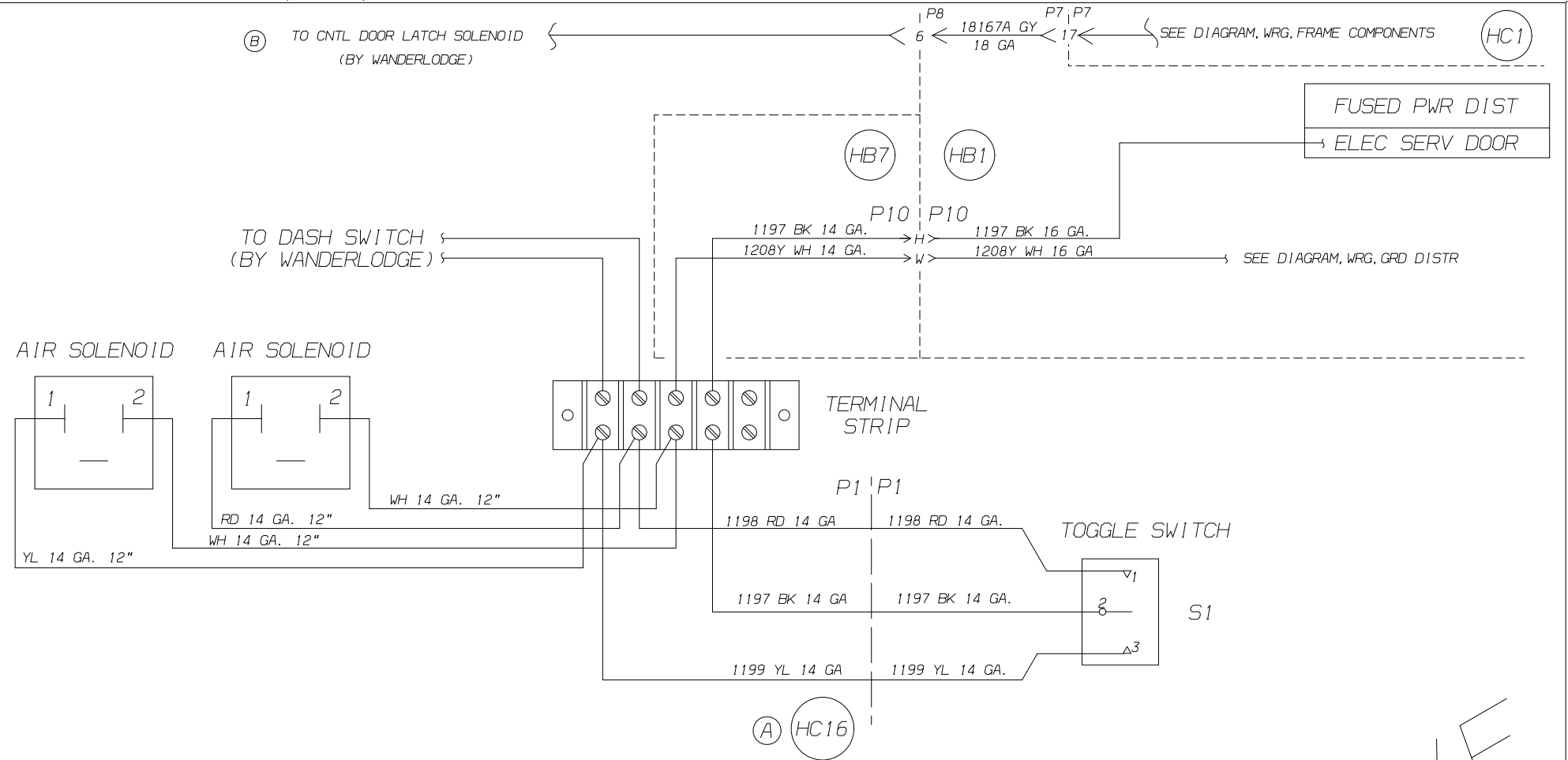
12879  
 NRN  
 1529.36  
 BY  
 39  
 REPLACED  
 2007  
 MARCH  
 4  
 2007  
 14  
 2007  
 1  
 2007




CCN 12682E	BLUE BIRD CORPORATION FORT VALLEY, GEORGIA, U. S. A.		SCALE NONE
DIAGRAM, WRG, INTERFACE, WANDERLODGE, DDEC			
Q4RE			
DR.	12/9/99	BY	RV
APP.	2/2/00	BY	RV
B	0021178		PAGE OF

LET.	WAS	REVISIONS	DR.	APP.	CCN
C	---	ADDED 18167A	SR	3/01	12945L
B	---	REMOVED PRELIMINARY STAMP	SR	9/11/00	9999
A	---	ADD INTERFACE FOR DEFOGGER	SR	6/15/00	12764F

0021564B BDIAGRAM, WRG, ELEC SERVICE DOOR Q4RE12945L\$00SRSR  
 2002/11/29  
 REPLACED BY NRN 12839  
 39.0001  
 MARCH  
 2002  
 FRAME  
 1



- NOTE:
- WIRE 18167A (ALLISON 167) DRIVES LOW WHEN SPEED > 3MPH (PRE-PROGRAMMED)
  - $N_{to}$  (OUTPUT SHAFT SPEED IN RPM) FORMULA : VEHICLE SPEED IN MPH \* TIRE REVS/MILE \* AXLE RATIO/60  
 $= 3 \text{ MILE/H} * 490 \text{ REV/MILE} * 4.44/60 = 109 \text{ RPM}$

B	----	SHOWN DOOR LATCH CNTL	SR	3/01	12945J
B	----	ADDED NOTE			
A	----	ADDED HARNESS CODE HC16	AWS	CL 3/16/00	12728F
LET.	WAS	REVSTONS	DR.	APP.	CCN
CCN 12682H	BLUE BIRD CORPORATION FORT VALLEY GEORGIA, U. S. A.			 SCALE NONE	
DIAGRAM, WRG, ELEC SERVICE DOOR					
Q4RE					
DR.	12/09/99	BYS. Rahman	B	0021564	PAGE OF
APP.	12/09/99	BYS. Rahman			

INACTIVATES NOS. 0009526







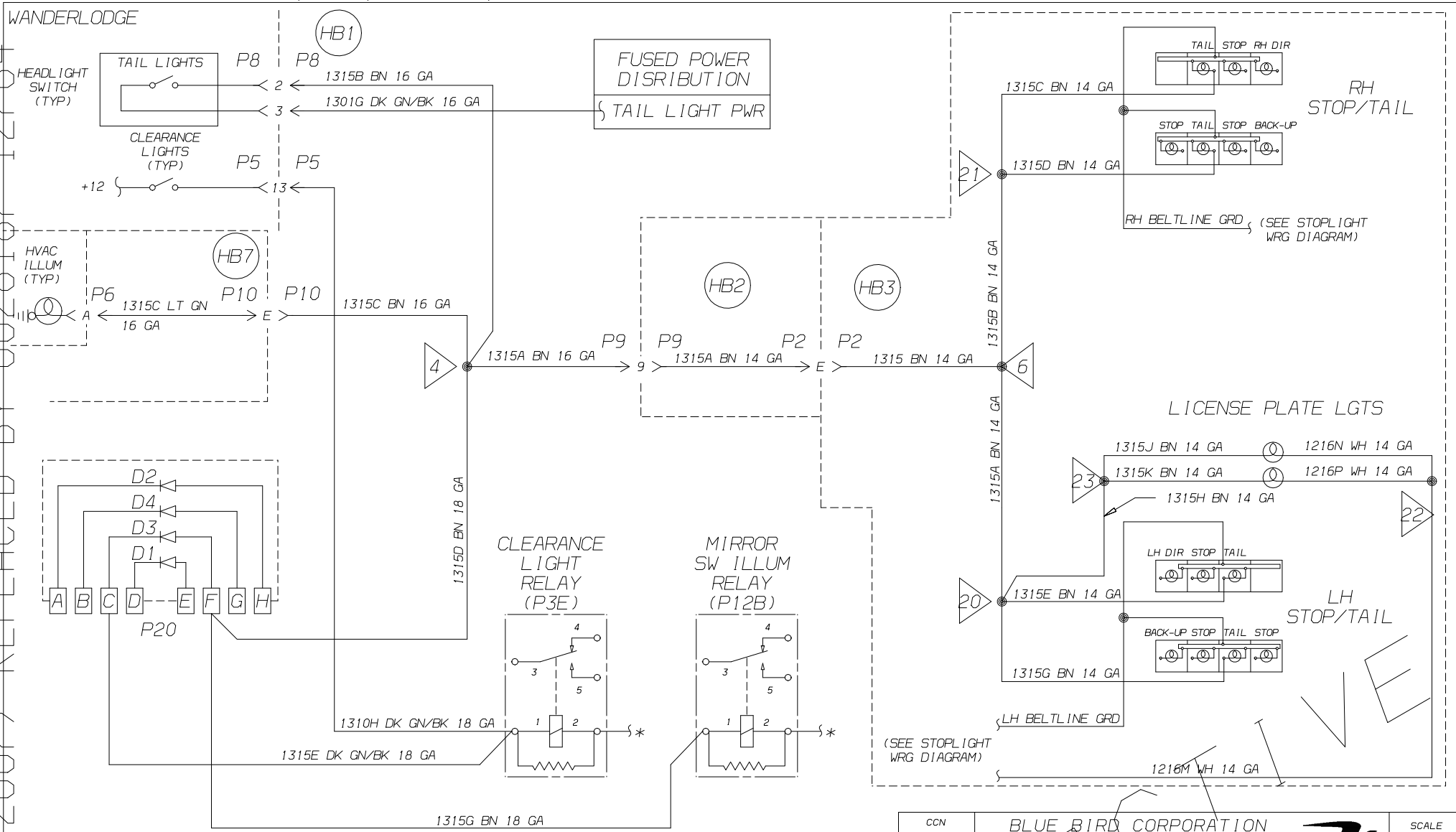









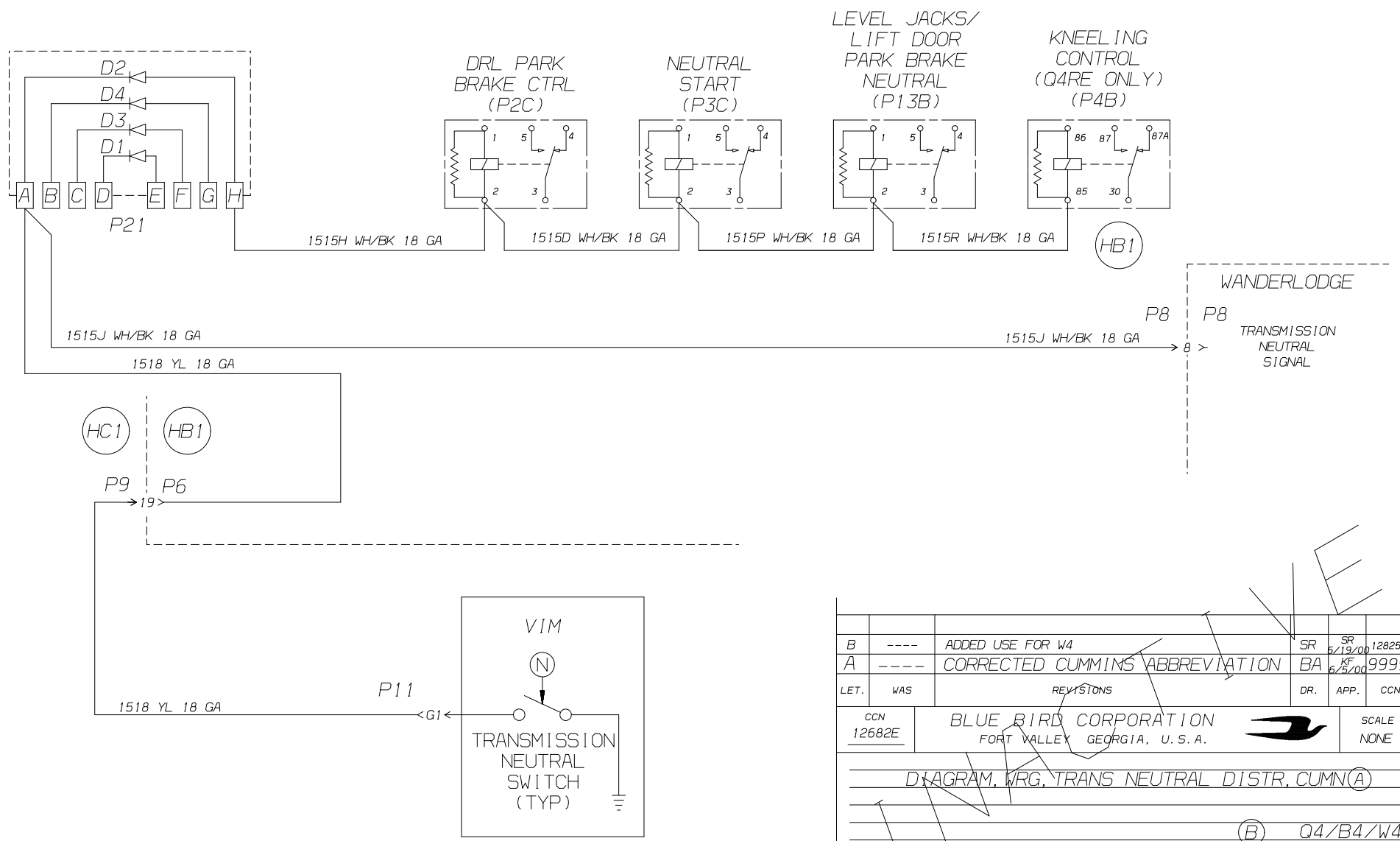
0022019  
 FEBRUARY 2, 2000  
 REPLICATED BY  
 2002  
 FRAME  
 1  
 \*  
 SEE GROUND DISTRIBUTION WRG DIAGRAM  
 INACTIVATES NOS. 0010389




CCN 12682E	BLUE BIRD CORPORATION FORT VALLEY, GEORGIA, U.S.A.		SCALE NONE
DIAGRAM, WRG, LIGHTS, TAIL			
Q4RE			
DR. 1/5/00	By AWSmith	B	0022019
APP. 2/2/00	By RVettel		

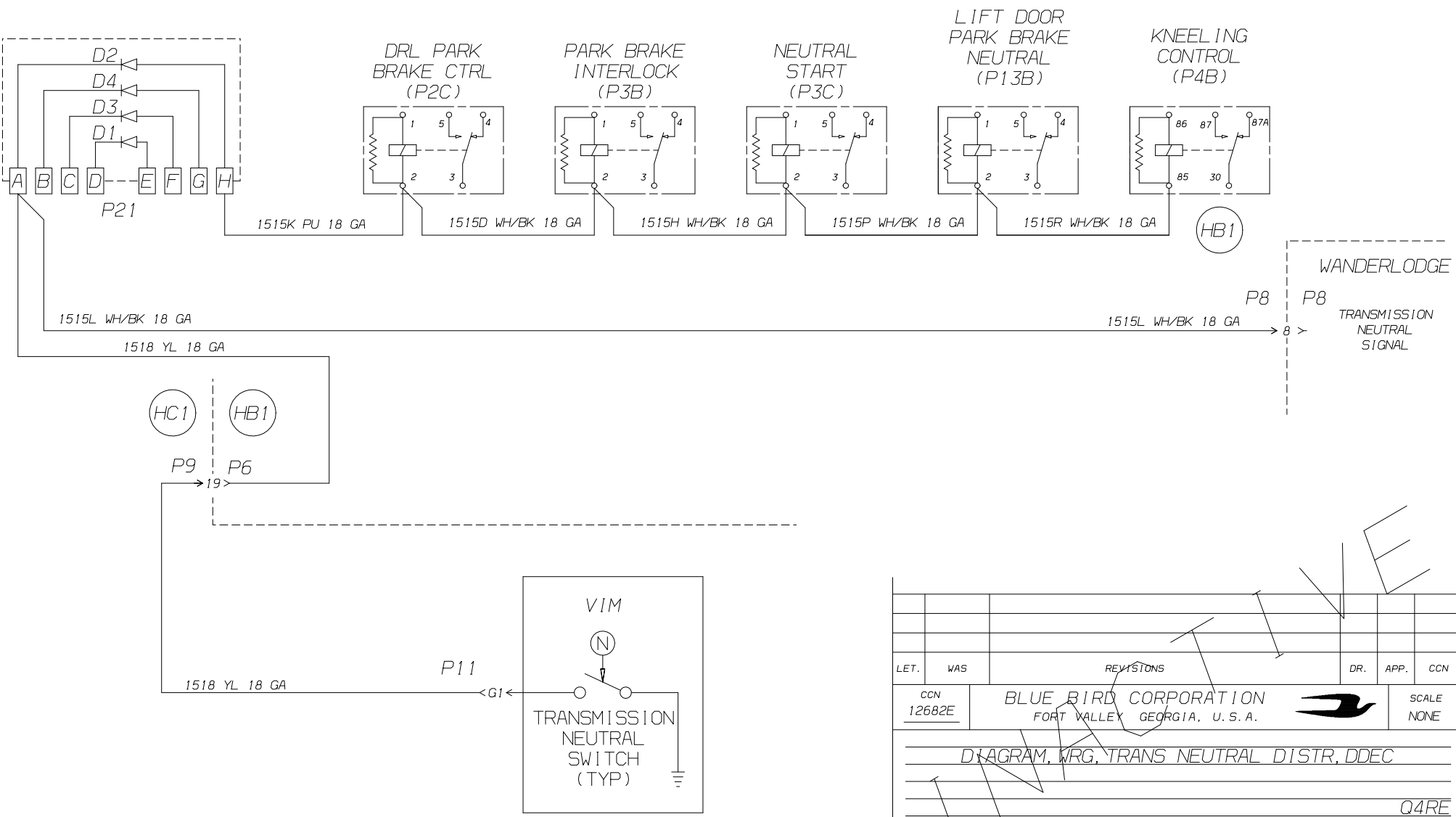
INACTIVATES NOS.	LET.	WAS	REVISIONS	DR.	APP.	CCN
0010389						

REPLACED BY NRN 12839  
 JUNE 28, 2000  
 2002  
 14-16-27  
 28, 2000  
 2002  
 14-16-27  
 28, 2000  
 2002  
 14-16-27



CCN	BLUE BIRD CORPORATION			SCALE
12682E	FORT VALLEY, GEORGIA, U. S. A.			NONE
				
DIAGRAM, WRG, TRANS NEUTRAL DISTR, CUMN(A)				
(B) Q4/B4/W4				
DR.	1/5/00	By	AWSmith	PAGE
APP.	2/2/00	By	RVettel	
INACTIVATES NOS.			1995448	0022029
B				

NRN 12839  
 FEBRUARY 2000  
 REPELCEED BY  
 13.4.50  
 2002  
 FRAME  
 1  
 03/14  
 Smith

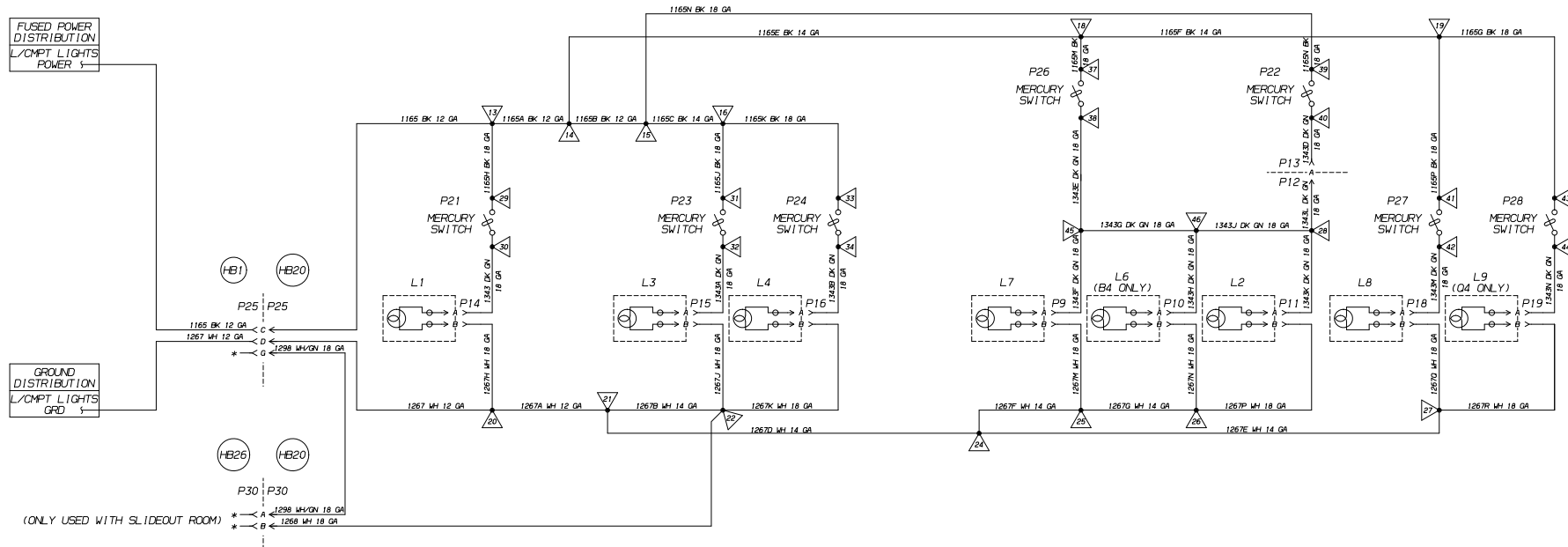


LET.	WAS	REVISIONS	DR.	APP.	CCN
CCN	BLUE BIRD CORPORATION			SCALE	
12682E	FORT VALLEY, GEORGIA, U.S.A.			NONE	
DIAGRAM, WRG, TRAN NEUTRAL DISTR, DDEC					
Q4RE					
DR.	1/5/00	By	AWSmith	B	0022037
APP.	2/2/00	By	RVettel		
INACTIVATES NOS.			1998004		
				PAGE	2 OF 2



FUSED POWER DISTRIBUTION  
L/CMPT LIGHTS POWER

GROUND DISTRIBUTION  
L/CMPT LIGHTS GND



(ONLY USED WITH SLIDEOUT ROOM)  
\* A ← 1298 WH/VN 18 GA  
\* B ← 1268 WH 18 GA

LIGHT ASSEMBLY IDENTIFICATION DIAGRAM



\*SEE DIAGRAM, WRG, INTERFACE, SLIDEOUT/LEVELLING

MATERIAL:					
FLAT SIZE:					
FINISH	RAW <input type="checkbox"/>	PAINT <input type="checkbox"/>	COLOR OR TYPE		
	PRIME <input type="checkbox"/>	OTHER <input type="checkbox"/>			
TOLERANCE ON ALL DIMENSIONS IS, PLUS OR MINUS	UNLESS OTHERWISE SPECIFIED.		DO NOT SCALE		
INACTIVATES NOS.	0009525				

DR.	4/13/00	BY	TH				
APP.	4/13/00	BY	TH	C	0026169	PAGE	OF

BLUE BIRD CORPORATION  
FORT VALLEY, GEORGIA, U.S.A.

DIAGRAM, WRG, LIGHTS, L/CMPT

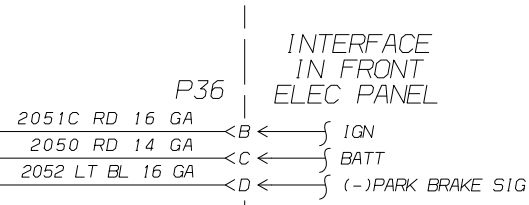
B4/Q4

t.j.h.mes MAY 9, 2000 13.42.21

0026194 BDIAGRAM, WRG, LIFT DR INTLK/PWR, FEA40051 Q4RE12762B\$00THH  
 REPLACED BY NRN 12839  
 MAY 9, 2009  
 003/14/2002  
 t/jmes/14/FRAME

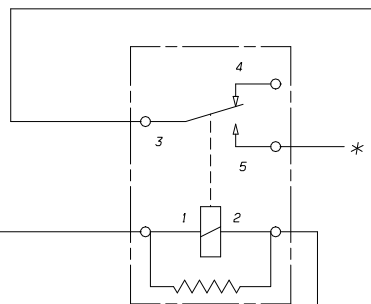
FUSED PWR DISTR  
LIFT DOOR IGN

FUSED PWR DISTR  
LIFT DOOR BATT



(HB1)

LIFT DOOR  
PARK BRAKE,  
NEUTRAL  
(P13B)



SEE DIAGRAM,  
WRG, PARK  
BRAKE CONTROL

PARK  
BRAKE  
(+)

SEE DIAGRAM, TRANS  
WRG, TRANS NEUTRAL  
NEUTRAL DISTR (-)

\*SEE DIAGRAM, WRG, GROUND DISTR

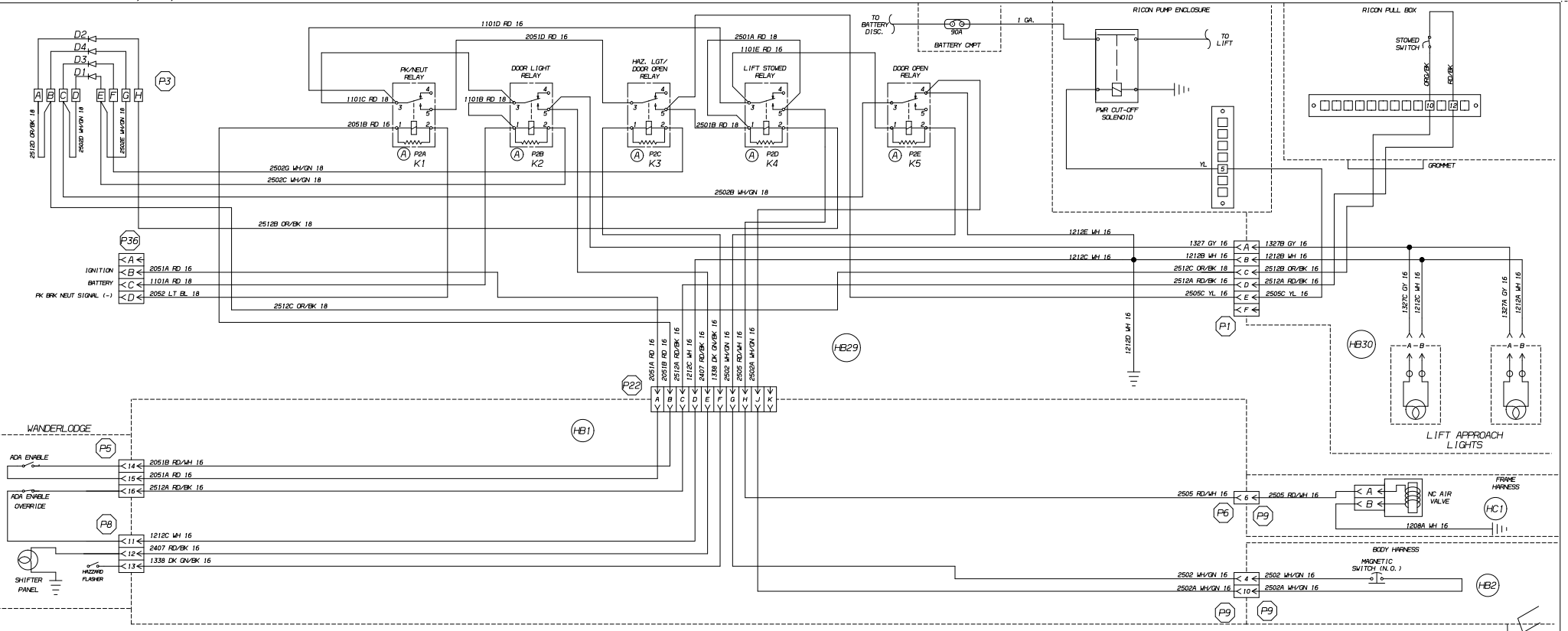
LET.	WAS	REVISONS	DR.	APP.	CCN
CCN 12762B	BLUE BIRD CORPORATION FORT VALLEY, GEORGIA, U.S.A.			SCALE NONE	
DIAGRAM, WRG, LIFT DR INTLK/PWR, FEA 40051-06					
Q4RE					
INACTIVATES NOS.			0009285		
DR.	4/12/00	BY	TH	B	0026194
APP.	4/12/00	BY	TH		







K1Frye JUNE 28, 2000 10:52:07

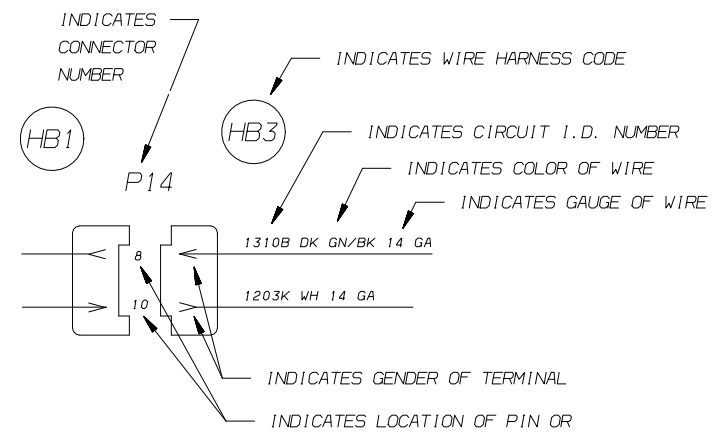


MATERIAL:					
FLAT SIZE:					
RAW <input type="checkbox"/>	PAINT <input type="checkbox"/>	COLOR OR TYPE			
PRIME <input type="checkbox"/>	OTHER <input type="checkbox"/>				
TOLERANCE ON ALL DIMENSIONS IS, PLUS OR MINUS UNLESS OTHERWISE SPECIFIED.		DO NOT SCALE			
INACTIVATES NOS. 0010920					
A --- ADDED DIODE PACK ON RELAY COMP TO B2		REV. 127689		DATE	
CON 127689		BLUE BIRD CORPORATION FORT VALLEY, GEORGIA, U.S.A.		SCALE	
DIAGRAM NO. LIFT/LIFT DOOR		DR. 4/30/00		PAGE	
		APP. 6/30/00		BY TH	
		BY TH		c 0026651	
				PAGE	
				OF	

BODY

HARNESS CODE	PART-NO	-----DESCRIPTION-----
HB1	0039619	HARNESS, WRG, ELEC PANEL, O/S ACS, FRT, DDEC, W4RE
HB1	0037739	HARNESS, WRG, ELEC PNL, O/S ACS, FRT, CUMM B4/Q4
HB1 (A)	0039620	HARNESS, WRG, ELEC PNL, O/S ACS, FRT, CUMN W4RE
HB1 (A)	0037751	HARNESS, WRG, ELEC PNL, O/S ACS, FRT, DDEC Q4RE
HB2	0024424	HARNESS, WRG, BODY, HB2 B4/Q4/W4
HB3 (A)	0028713	HARNESS, WRG, REAR CAP, HB3 Q4RE
HB3	0014550	HARNESS, WRG, REAR CAP, HB3 B4RE/W4RE
HB4	0010462	HARNESS, WRG, REAR CAP, LOWER, HB4 W4RE
HB4	0010413	HARNESS, WRG, REAR CAP, LOWER, HB4 B4RE
HB5	0010488	HARNESS, WRG, LIGHTS, LH, RR, HB5 B4RE
HB5	0010504	HARNESS, WRG, LIGHTS, LH RR, HB5 W4RE
HB6	0010512	HARNESS, WRG, LIGHTS, RH RR, HB6 W4RE
HB6	0010496	HARNESS, WRG, LIGHTS, RH, RR, HB6 B4RE
HB7	0007758	HARNESS, WRG, FRONT CAP, HB7 Q4
HB7 (A)	0026448	HARNESS, WRG, FRONT CAP, HB7 (C) Q4/B4/W4
HB8	1958297	WIRE ASSY, SI DIR, LT FRT B4/Q4/W4
HB9	1958305	WIRE ASSY, SI DIR, LT RR B4/Q4/W4
HB10	1958313	WIRE ASSY, SI DIR, RT FRT B4/Q4/W4
HB11	1958321	WIRE ASSY, SI DIR, RT RR B4/Q4/W4
HB12	1958255	WIRE ASSY, LANDING, LGTS, LT FRT B4/W4
HB13	1958263	WIRE ASSY, LANDING, LGTS, LT RR B4/W4
HB14	1958271	WIRE ASSY, LANDING, LGTS, RT FRT B4/W4
HB15	1958289	WIRE ASSY, LANDING, LGTS RT RR B4/W4
HB17	0007503	HARNESS, WRG, STEERING COLUMN, HB17 RCDA
HB18	1446525	HARNESS, WRG, ENGINE CMPT, LGT & HEAT SEN WLWB
HB19	1996735	HARNESS, WRG, LOCKS & LIGHTS, L/CMPT, HB19 W4RE
HB20	0026167	HARNESS, WRG, LIGHTS, L/CMPT, HB20 B4/Q4
HB25	0017332	HARNESS, WRG, KNEELING/TK CONTROL, HB25 Q4RE
HB26	0005917	HARNESS, WRG, INTERLOCK, L/CMPT DOOR, HB26 W4RE
HB26	0026188	HARNESS, WRG, INTERLOCK, L/CMPT DOOR, HB26 B4RE
HB27	0008437	HARNESS, WRG, LOCKS, L/CMPT CONTROL, HB27 Q4RE
HB28	0008438	HARNESS, WRG, LOCKS, L/CMPT, HB28 Q4RE
HB29	0010921	HARNESS, WRG, LIFT/LIFT DOOR Q4RE

(E)  
(D)  
(E)  
(D)



LET.	WAS	REVISIONS	DR.	APP.	CCN
E	----	CHG PART NUMBER	SR	5/01	12893R
D	----	CHGD PART # FROM 0028549 TO 0037751	AWS	SR 3/29/01	12945L
--	----	CHGD PART # FROM 0026185 TO 0037739	----	----	----
--	----	SEE SHEET 2	----	----	----
C	--	ADDED Q4 TO DESCRIPTION OF 0026448	OS	05 11/2/00	127640
B	--	SEE SHEET 2	SR	7/24/00	12360X
A	--	ADDED 0020470, 0028713, 0024424, 0024643	KF	KF 6/28/00	12464J
A	--	DEL 0007758, 0014549, 0014547, 0019829.	KF	KF 6/28/00	12464J
A	--	CHANGED; 0026186 TO 0028549, 0020245 TO 0026448.	KF	KF 6/28/00	12464J

CCN 12762B BLUE BIRD CORPORATION FORT VALLEY GEORGIA, U. S. A. SCALE NONE

DIAGRAM, WRG, INSTRUCTIONS, SYM  
B4/Q4/W4

DR. 4/30/00	BY TH	B	0026655	PAGE 1 OF 2
APP. 4/30/00	BY TH			

07.27.50  
MAY 9, 2001  
FRAME A  
SPEAKER

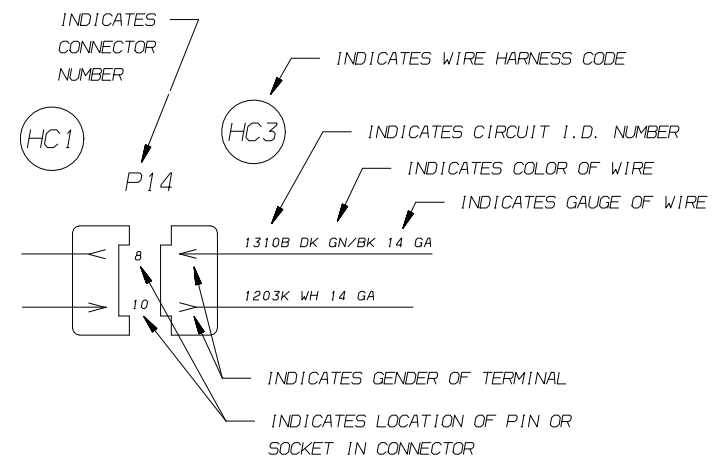
CHASSIS

INACTIVATES NOS. 0022763

HARNESS CODE	PART-NO	-----DESCRIPTION-----	
HC1 (A)	0037758	HARNESS, WRG, FRAME COMPONENT, HC1	RCDA
HC2	0021490	HARNESS, WRG, ENGINE, CUMMINS, ISM, HC2	RCDA
HC2	0007357	HARNESS, WRG, ENGINE, DDEC 111, HC2	RCDA
HC3	0019826	HARNESS, WRG, PANEL, ELECTRICAL, REAR, HC3	RCDA
HC4	1989540	HARNESS, WRG, TRANSMISSION, HD 4060	RCDA
HC5	1989557	HARNESS, WRG, TRANSMISSION SHIFTER	RCDA
HC6	1989565	HARNESS, WRG, TRANSMISSION VEHICLE	RCDA
HC7	0019833	HARNESS, WRG, ABS, 6S/6M, HC7	RCDA
HC9	0005727	HARNESS, WRG, FUEL SENSORS, HC9	W4RE
HC12	0010538	HARNESS, WRG, ALT, EXCITER, HVAC	Q4RE
HC13	0017334	HARNESS, WRG, KNEELING, CHASSIS, HC13	Q4RE
HC15	0021480	HARNESS, WRG, STEERABLE TAG	W4RE
HC16	0021355	HARNESS, WRG, SWITCH, ELEC SERVICE DOOR	Q4
HC17	0016322	HARNESS, WRG, LIGHTS, LIFT APPROACH	Q4

(D)

(B)



E	---	SEE SHEET 1	SR	5/01	12893R
D	----	CHGD PART # FROM 0020470 TO 0037758	AWS	SR 3/29/01	12945L
--	----	SEE SHEET 1.	---	----	----
C	--	SEE SHEET 1.	OS	OS 11/22/00	12764Q
B	--	INACTIVATED 0012480	SR	7/24/00	12360X
A	--	SEE SHEET 1.	KF	KF 6/28/00	12764J
LET.	WAS	REVISIONS	DR.	APP.	CCN

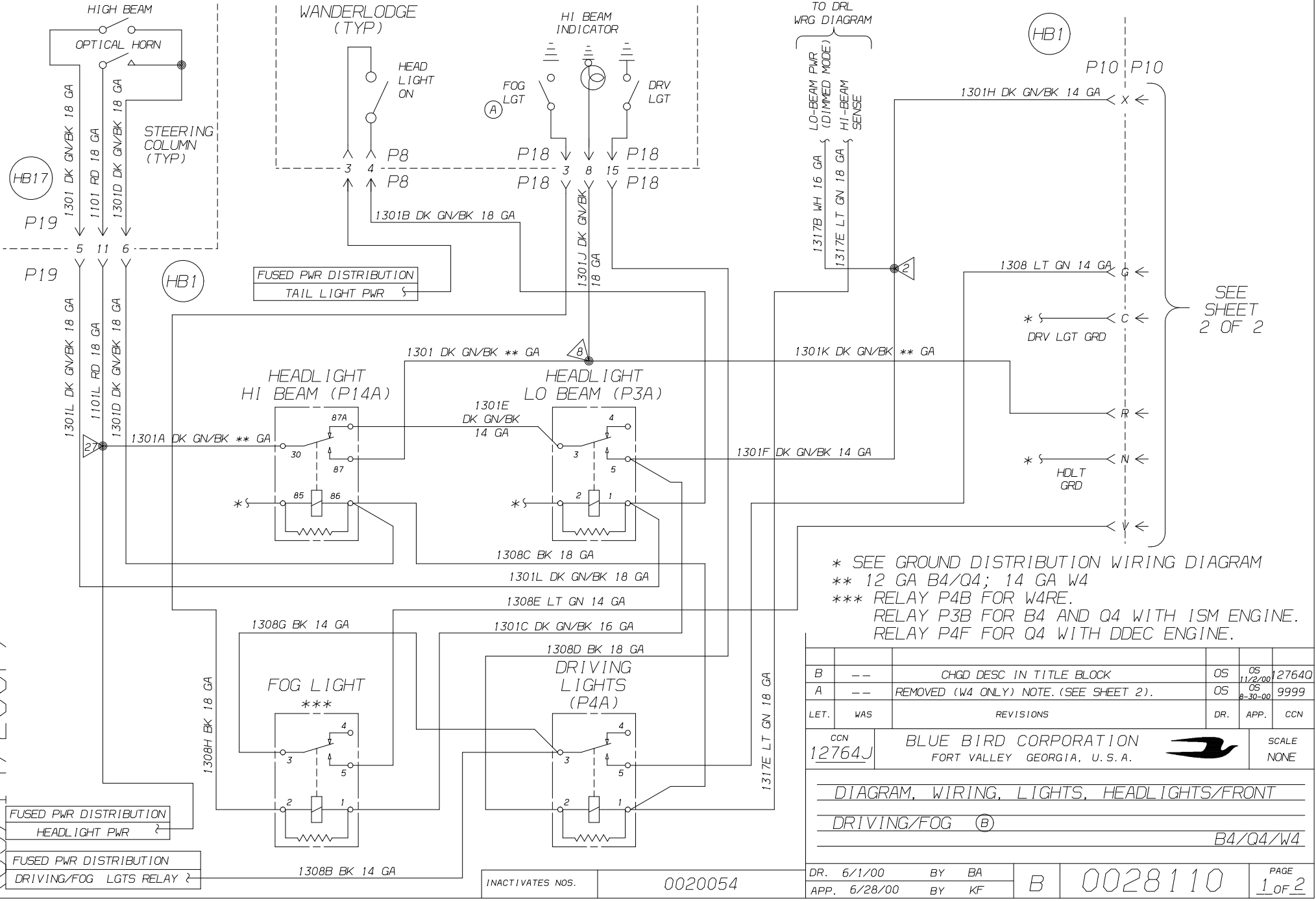
CCN 12762B BLUE BIRD CORPORATION FORT VALLEY GEORGIA, U. S. A. SCALE NONE

DIAGRAM, WRG, INSTRUCTIONS, SYM  
B4/Q4/W4

DR.	4/30/00	BY TH	B	0026655	PAGE 2 OF 2
APP.	4/30/00	BY TH			

07.31.26  
 MAY 9, 2001  
 05/14/2002  
 FRAME 1

NOVEMBER 2, 2000 15.31.47  
 2002  
 FRAME  
 02  
 15.31.47



B	--	CHGD DESC IN TITLE BLOCK	OS	OS	12764Q
A	--	REMOVED (W4 ONLY) NOTE. (SEE SHEET 2).	OS	OS	9999
LET.	WAS	REVISIONS	DR.	APP.	CCN

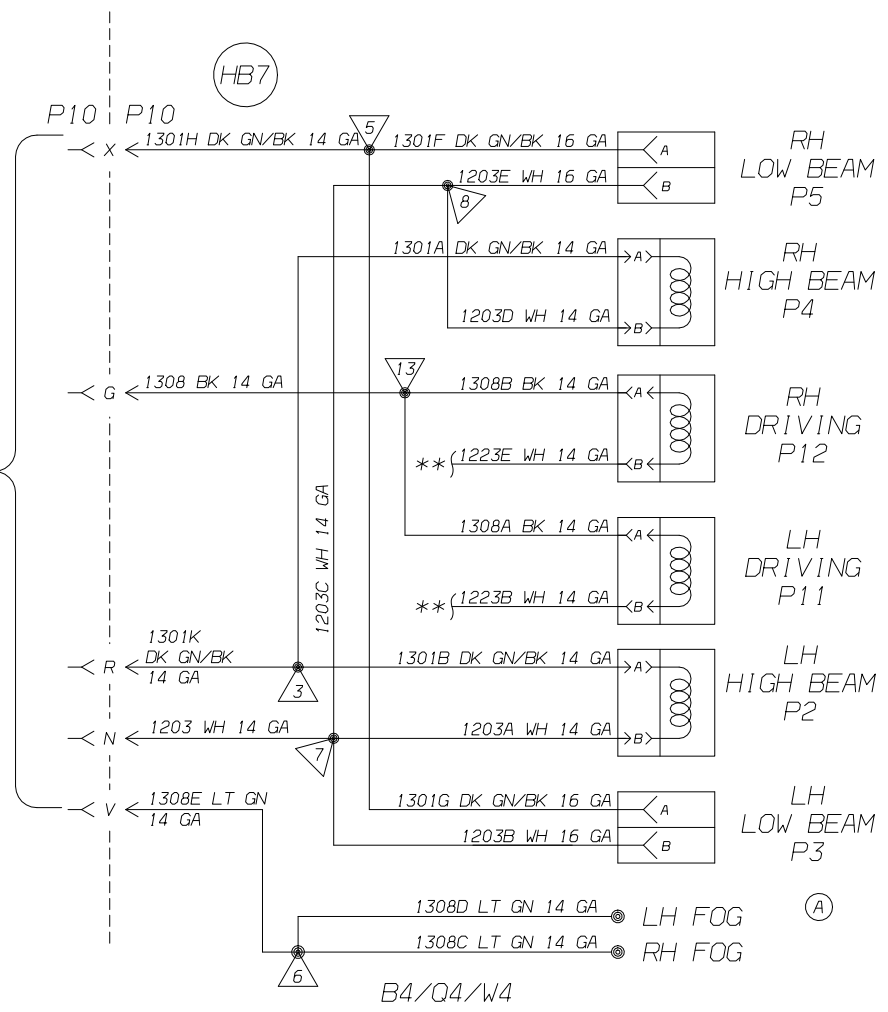
CCN 12764J BLUE BIRD CORPORATION FORT VALLEY GEORGIA, U.S.A. SCALE NONE

DIAGRAM, WIRING, LIGHTS, HEADLIGHTS/FRONT DRIVING/FOG (B) B4/Q4/W4

DR.	6/1/00	BY	BA	B	0028110	PAGE 1 OF 2
APP.	6/28/00	BY	KF			


07.07.19  
 NOVEMBER 6, 2000  
 2007  
 FRANK  
 14/2007  
 003/1  
 the Hey  
 003/1

SEE SHEET 1 OF 2



\*\* SEE DIAG, WRG LIGHTS, PARK, TAIL

INACTIVATES NOS. 0020054

B	--	CHGD DESC TO TITLE BLOCK.	OS	OS 11/2/00	12764Q
A	--	REMOVED W4 ONLY NOTE.	OS	OS 8-30-00	9999
LET.	WAS	REVISIONS	DR.	APP.	CCN
CCN 12764J		BLUE BIRD CORPORATION FORT VALLEY GEORGIA, U. S. A.		 SCALE NONE	
DIAGRAM, WIRING, LIGHTS, HEADLIGHTS/FRONT					
DRIVING/FOG (B)					
B4/Q4/W4					
DR.	6/1/00	BY	BA	B	0028110
APP.	6/28/00	BY	KF		
					PAGE 2 OF 2

0027239A BDIAGRAM, WRG, DEFOGGER, SKYVIEW WINDOW Q4RE9999\$0000SRSR  
 BY NRN 12839  
 13 JULY 2000  
 2002  
 14/1/2002  
 SR Rahman

WANDERLODGE  
(TYP)

(HB1)

P11

+12V

TIME DELAY RELAY # 0028630

SKYVIEW  
DEFROSTER  
1.5 OHMS

(HB2)

TELLTALE  
1mA (TYP)

NOTE:

ALL WIRES ARE 18 GA UNLESS OTHERWISE SPECIFIED.

MATERIAL :

FLAT SIZE :

FINISH                          COLOR OR TYPE

RAW          PAINT         \_\_\_\_\_

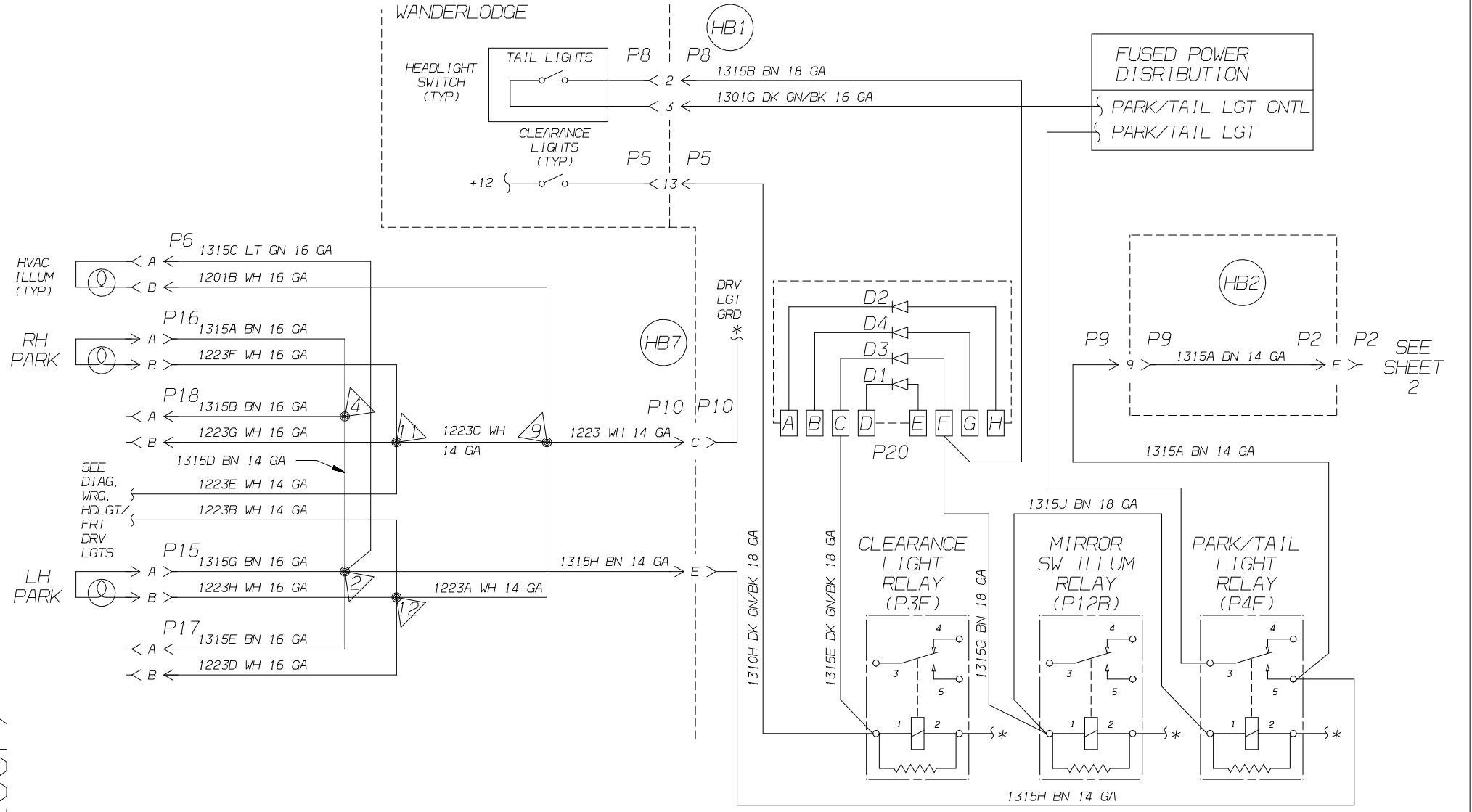
PRIME       OTHER       \_\_\_\_\_

TOLERANCE ON ALL DIMENSIONS IS. PLUS  OR MINUS  UNLESS OTHERWISE SPECIFIED.

INACTIVATES NOS.     

**DO NOT SCALE**


A	---	CORRECTED RATING	SR	SR	9999
LET.	WAS	REVISIONS	DR.	APP.	CCN
CCN	BLUE BIRD CORPORATION			SCALE	
12764F	FORT VALLEY GEORGIA, U.S.A.				
DIAGRAM, WRG, DEFOGGER, SKYVIEW WINDOW					
(FEAT#38103-03)					
Q4RE					
DR.	5/1/00	BY	SR	B	0027239
APP.	06/28/00	BY	S. Rahman		PAGE OF



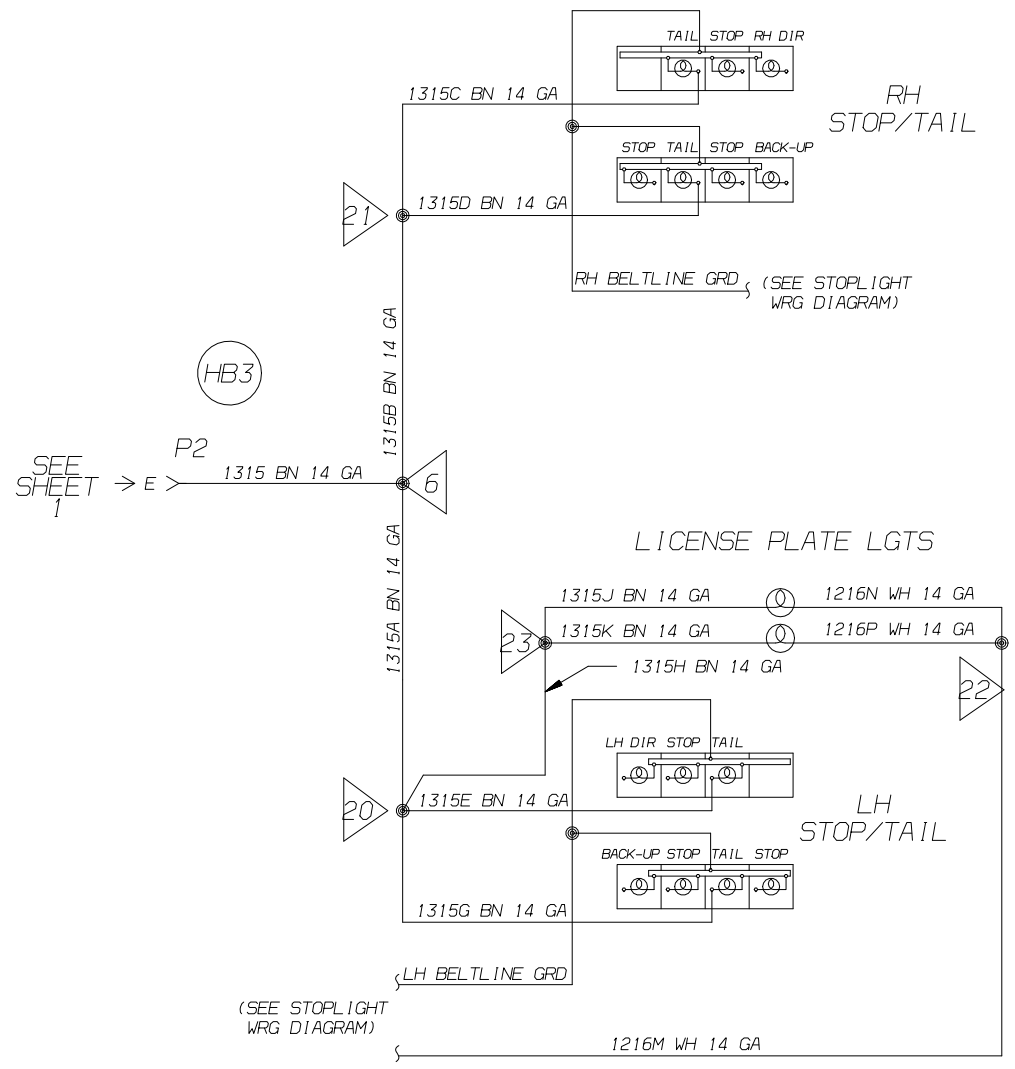
15.28.56  
 JUNE 28, 2000  
 2007  
 1  
 SEE GROUND DISTRIBUTION WRG DIAGRAM  
 INACTIVATES NOS.

SEE SHEET 2

LET.	WAS	REVISIONS	DR.	APP.	CCN

CCN 12764J	BLUE BIRD CORPORATION FORT VALLEY GEORGIA, U.S.A.		SCALE NONE
DIAGRAM, WRG, LIGHTS, PARK/TAIL			
Q4			
DR. 6/6/00	BY KF	B	0028187
APP. 6/28/00	BY KF		
		PAGE 1 OF 2	

COPIED FROM 0028187/14/2007 JUNE 28, 2000 15.29.34



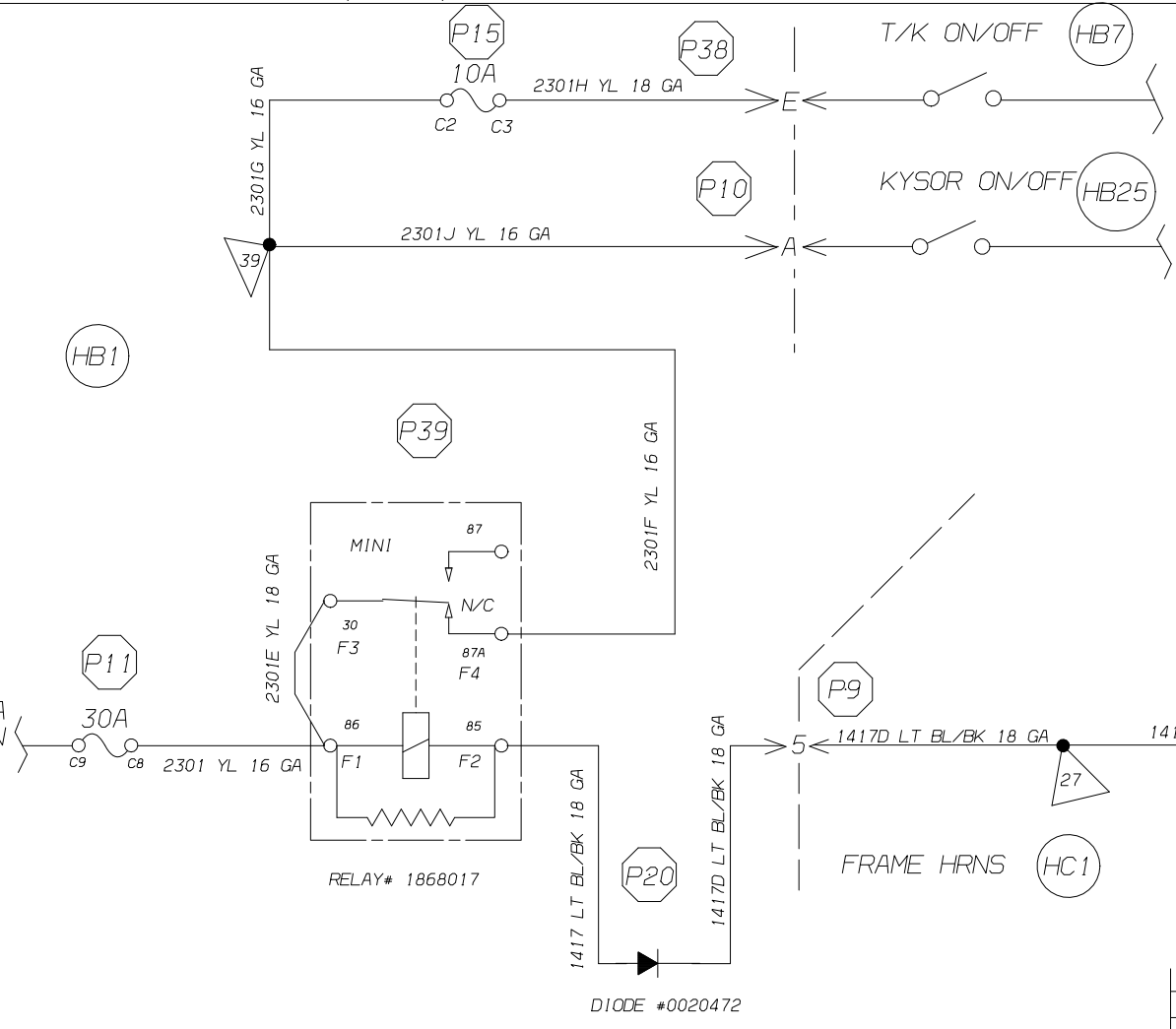
CCN 12764J	BLUE BIRD CORPORATION FORT VALLEY GEORGIA, U. S. A.			SCALE NONE
DIAGRAM, WRG, LIGHTS, TAIL				
Q4				
DR. 6/6/00	BY KLF	B	0028187	PAGE
APP. 6/29/00	BY KLF			2 OF 2

LET.	WAS	REVISIONS	DR.	APP.	CCN

INACTIVATES NOS.



03/14/2007  
 2007  
 NOVEMBER 2  
 2007  
 11.28.13  
 BY  
 NRN 12839



MATERIAL:

FLAT SIZE:

FINISH COLOR OR TYPE

RAW  PAINT

PRIME  OTHER

TOLERANCE ON ALL DIMENSIONS IS. PLUS  DO NOT SCALE

OR MINUS  UNLESS OTHERWISE SPECIFIED.

INACTIVATES NOS.



LET.	WAS	REVISIONS	DR.	APP.	CCN
A	---	CHG TO PIN N @ P13	SR	11/00	12764Q
A	---	CHG 1417A TO 1417B			

CCN 12843? BLUE BIRD CORPORATION FORT VALLEY, GEORGIA, U.S.A. SCALE

DIAGRAM, WRG, HVAC ENABLE

Q4

DR. 6/1/00	BY SR	B	0028196	PAGE
APP. 6/28/00	By S. Rahman			OF

RECEIVED BY NRN 12839  
 16.28.24  
 2000  
 OCTOBER 2  
 2007  
 FRAME  
 05/11  
 05/11  
 05/11

WANDERLODGE

FRAME HRNS

MATERIAL:

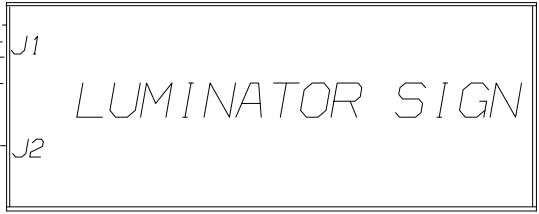
FLAT SIZE:

FINISH: RAW  PAINT  COLOR OR TYPE \_\_\_\_\_

PRIME  OTHER  \_\_\_\_\_

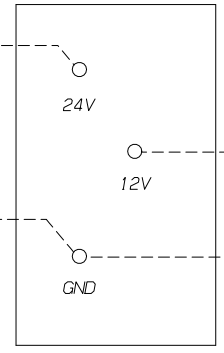
TOLERANCE ON ALL DIMENSIONS IS. PLUS  DO NOT SCALE OR MINUS  UNLESS OTHERWISE SPECIFIED.

INACTIVATES NOS.



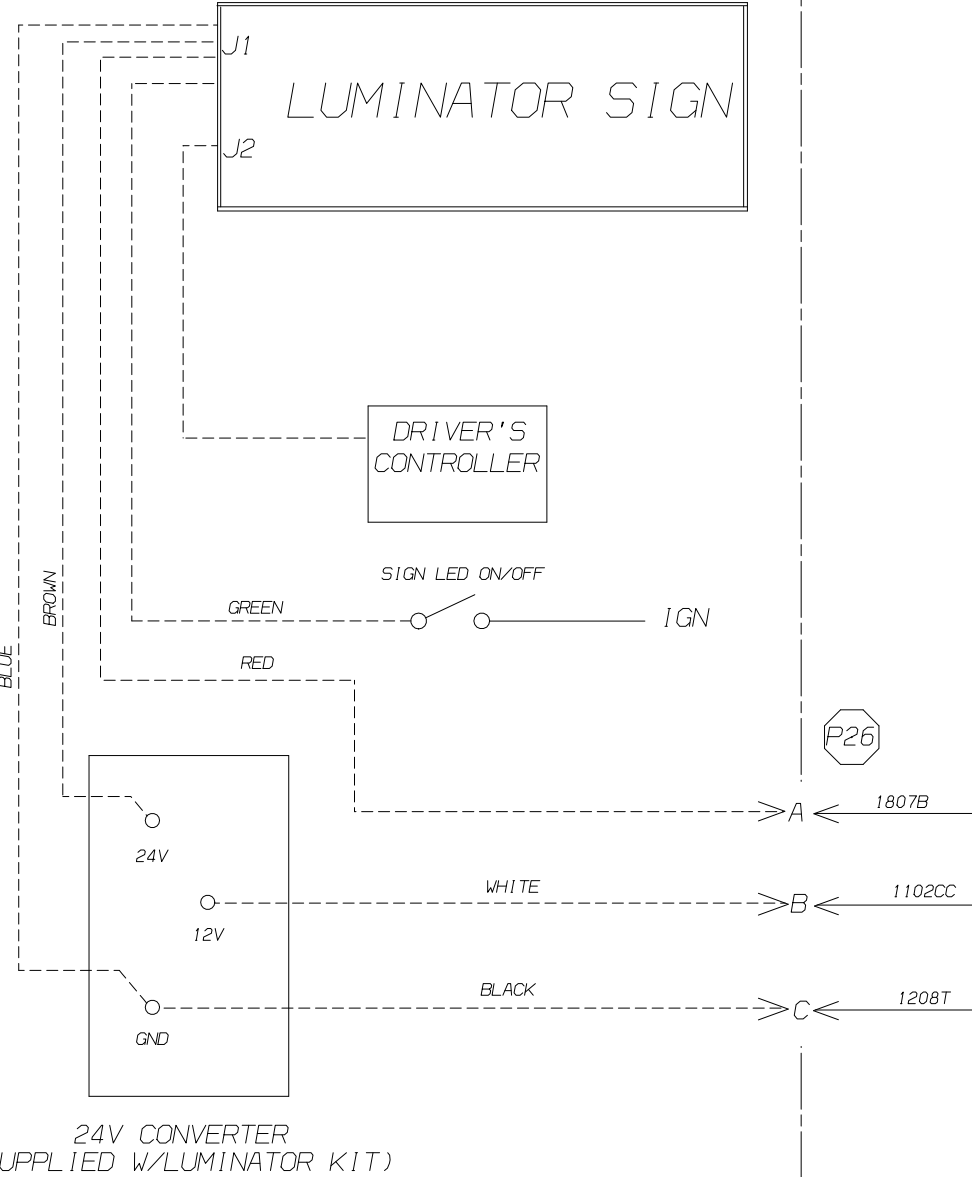
SIGN LED ON/OFF

IGN



24V CONVERTER  
(SUPPLIED W/LUMINATOR KIT)  
(10A MAX OUTPUT)

REAR ELECTRICAL PANEL HRNS

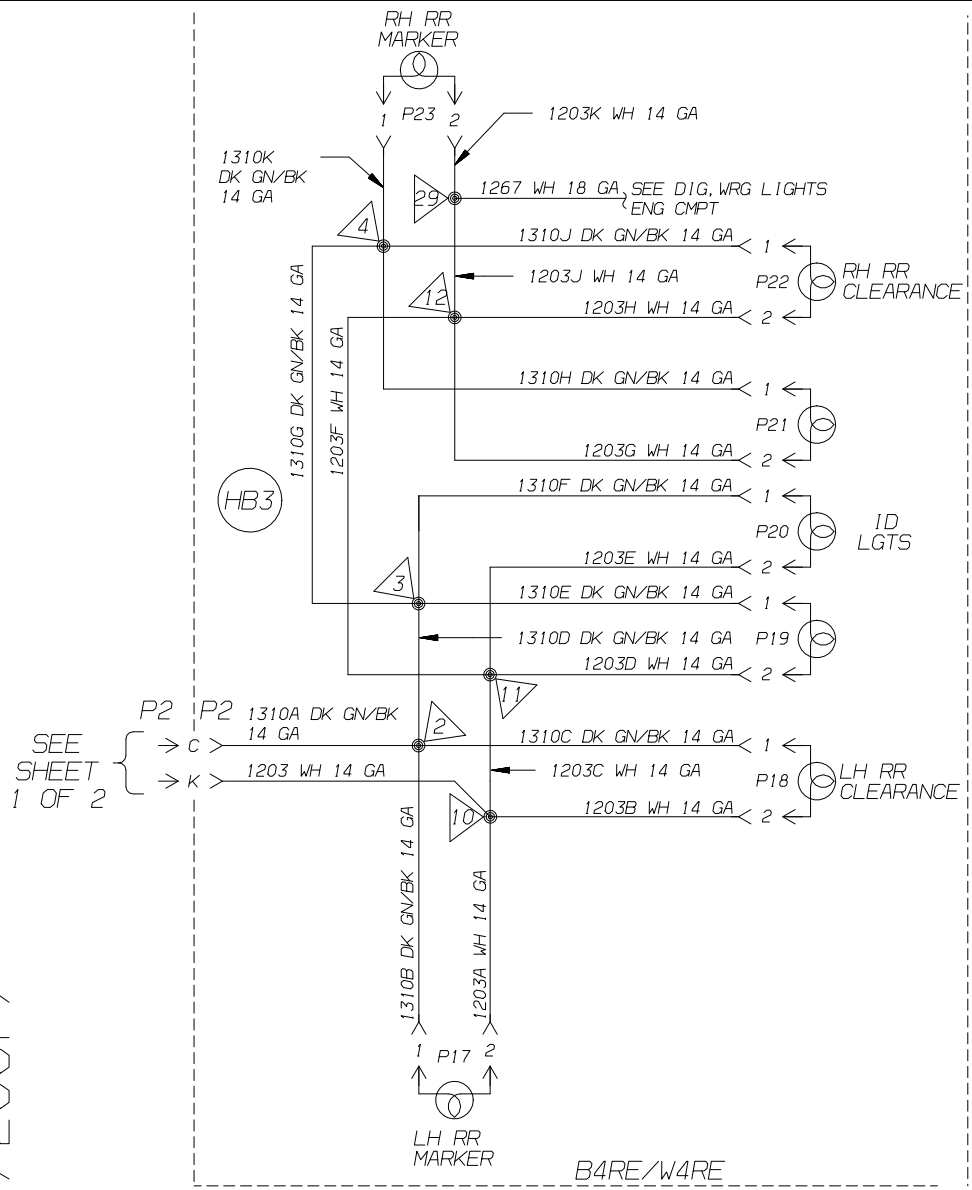


NOTE:

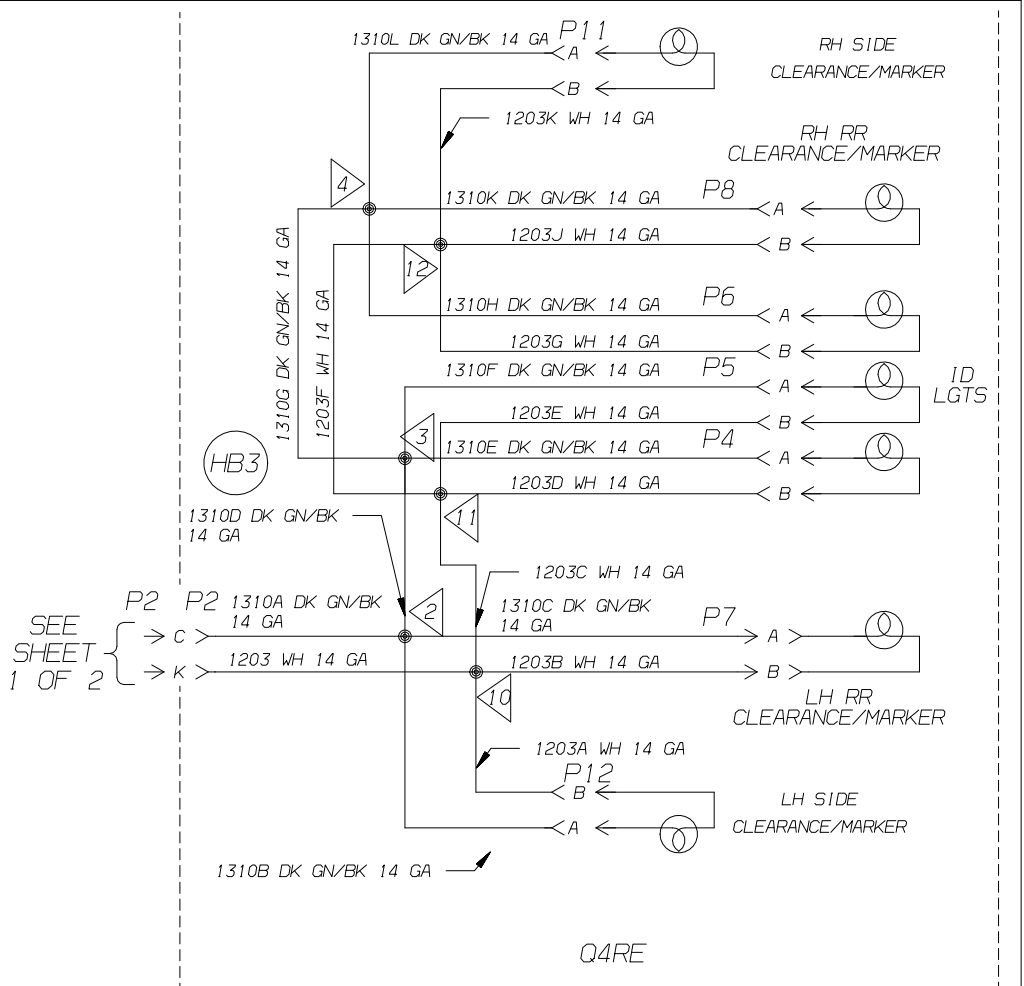
LINE - - - - - MEANS SUPPLIED WITH LUMINATOR KIT

A	--	CORRECTED DWG ORIENTATION.	OS	OS	9999
LET.	WAS	REVISIONS	DR.	APP.	CCN
CCN	12764F	BLUE BIRD CORPORATION FORT VALLEY, GEORGIA, U.S.A.		SCALE	
DIAGRAM, WRG, SIGN, LUMINATOR					
(FEAT# 38103-03)					
Q4RE					
DR.	5/31/00	BY	SR	B	0028219
APP.	6/26/00	BY	S. Rahman		
					PAGE OF





B4RE/W4RE



15.32.45  
 JUNE 28, 2000  
 2007  
 FRAME 14  
 copy temp 1

INACTIVATES NOS.	0022041	LET.	WAS	REVISIONS	DR.	APP.	CCN

CCN 12764K	BLUE BIRD CORPORATION FORT VALLEY GEORGIA, U. S. A.		SCALE NONE
DIAGRAM, WRG, LIGHTS, MARKER, ID			
B4/Q4/W4			
DR. 6/13/00 APP. 6/28/00	BY KLF BY KLF	B	0028720
			PAGE 2 OF 2

BODY INTERFACE IN FRONT ELECTRICAL PANEL

INACTIVATES NOS.

0026343

WANDERLODGE

HB1

P5 P5

SUSPENSION PRESSURE LAMP	< 1 <	1153B PK 18 GA
ENGINE BRAKE LEVEL SELECT	< 2 <	1517A LT BL/BK 18 GA
ENGINE BRAKE LEVEL SELECT	< 3 <	1517B WH/BK 18 GA
SKYVIEW DEFOGGER LGT *	< 4 <	2305B PK 18 GA
LOW COOLANT LAMP	< 5 <	1420D LT BL 18 GA
VOLTMETER POWER	< 6 <	1434A LT BL 14 GA
INSTRUMENT GND, VOLTMETER	< 7 <	1201A WH 16 GA
PARK BRAKE (+)	< 8 <	1515G WH/BK 18 GA
FEATURE L/CMPRT DOOR LOCKS	< 9 <	2603 DK BL/BK 18 GA
FEA 38119-02 DOOR LOCK	<10 <	2603A DK BL/BK 18 GA
ENGINE BRAKE CONTROL	<11 <	1517D LT BL 18 GA
CLEARANCE LIGHTS	<12 <	1310B DK GN/BK 14 GA
CLEARANCE LIGHTS	<13 <	1310H DK GN/BK 18 GA
ADA ENABLE **	<14 <	2051B RD 16 GA
ADA ENABLE **	<15 <	2051A RD/WH 16 GA
ADA ENABLE OVERRIDE **	<16 <	2512A RD/BK 16 GA
LEFT LANDING LIGHT	<17 <	1329B GN 18 GA
RIGHT LANDING LIGHT	<18 <	1329A GN 18 GA
MASTERED POWER CTRL	<19 <	1519 RD 14 GA
HEAT SENSOR SIGNAL	<20 <	1433A RD 16 GA
SOLENOID IGN FEED	<21 <	1102G BK 16 GA
	<22 <	
A/C ON SIGNAL	<23 <	1150B LT GN 18 GA
CLEARANCE LGT MOM SW	<24 <	1310G DK GN/BK 16 GA

WANDERLODGE

HB1

P8 P8

GROUND	< 1 <	1208 WH 12 GA
TAIL LIGHTS	< 2 <	1315B BN 16 GA
HEADLIGHT POWER	< 3 <	1301G DK GN/BK 16 GA
HDLGT LOWBEAM PWR	< 4 <	1301B DK GN/BK 18 GA
CONSTANT FUSED FEED	< 5 <	1101M BK 14 GA
(A) TRANS OUTPUT SPEED IND	< 6 <	18167A GY 18 GA
IGN SWITCH CONSTANT	< 7 <	1101G BK 12 GA
NEUTRAL SIGNAL (-)	< 8 <	1515J WH/BK 18 GA
LOW FUEL LGT ***	< 9 <	1402 TN 18 GA
IGN FUSED FEED	<10 <	1102J BK 12 GA
ADA ENABLE OVERRIDE **	<11 <	1212C WH 16 GA
ADA LIFT DOOR IDICATOR **	<12 <	2407 RD/BK 16 GA
SEE NOTE	<13 <	SEE NOTE
	<14 <	
MASTERED FUSE FEED	<15 <	1130E BK 12 GA
WATER CONTAM (FILTER) ***	<16 <	1456 BK 18 GA

WANDERLODGE

HB1


P18 P18

HAZARD BATT	> 1 >	1101N BK 18 GA
	> 2 >	KEYING PLUG
	> 3 >	1308H BK 18 GA
FOG LGT CNTL ***	> 4 >	2053 RD 16 GA
SLIDE OUT/LEVEL JACK	> 5 >	1332B DK GN/BK 18 GA
HAZARD INPUT	> 6 >	1323D DK GN 18 GA
RH FRT DIR INDICATOR	> 7 >	1313C YL 18 GA
LH FRT DIR INDICATOR	> 8 >	1301J DK GN/BK 18 GA
HIGH BEAM INDICATOR	> 9 >	1808A RD 18 GA
SUSPENSION DUMP	> 10 >	1808B BL 18 GA
SUSPENSION DUMP	> 11 >	1208T WH 18 GA
MIRROR SWITCH ILLUM	> 12 >	1425C RD 18 GA
ENG. BRAKE ACTIVE ***	> 13 >	1322C YL 16 GA
BACK-UP SIGNAL	> 14 >	1208U WH 18 GA
HEADLIGHT WARNING	> 15 >	1308D BK 18 GA
DRV LGT CONTROL	> 16 >	
	> 17 >	1322J LT BL 14 GA
REAR DRV LGT CONTROL	> 18 >	1322K LT BL 14 GA
B/U ALARM CONTROL	> 19 >	2102T LT BL 18 GA
INTERMITTENT WIPER RETURN	> 20 >	2102V LT BL 18 GA
INTERMITTENT WIPER SUPPLY	> 21 >	2102W LT BL 16 GA
W/WASHER FEED	> 22 >	1810 PU 18 GA
JACKS DOWN (-) SIGNAL	> 23 >	2302A RD/BK 16 GA
BUZZER WIRE **	> 24 >	2302B BN 16 GA
FAN WIRE **	> 25 >	

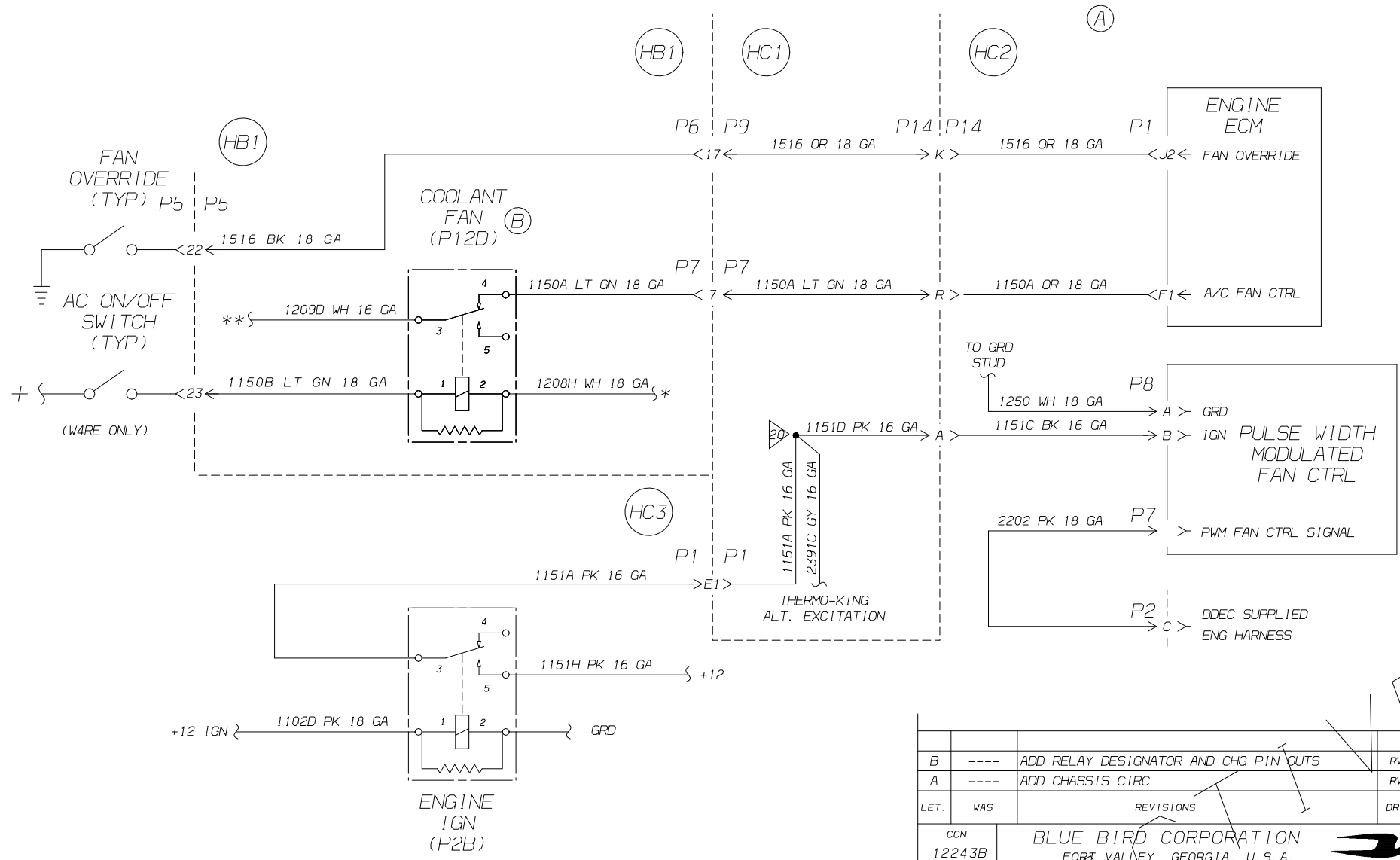
\* Q4RE ONLY  
 \*\* Q4/B4 ONLY  
 \*\*\* W4RE ONLY

NOTE  
 ADA HAZARD 1338 DK GN/BK 16 GA \*\*  
 OR  
 FUEL CONTAM (FILTER) 1455 TN 18 GA \*\*\*

A	---	ADDED 18167A	SR	3/01	12945L	
LET.	WAS	REVISIONS	DR.	APP.	CCN	

CCN 12825B	BLUE BIRD CORPORATION FORT VALLEY, GEORGIA, U. S. A.		SCALE NONE
DIAGRAM, WRG, INTERFACE, CUMN			
B4/Q4/W4			
DR. 6/28/00	BY SR	B	0029198
APP. 6/28/00	By S. Rahman		

05/14/2007 RELEASED BY NRN 12839  
 3/1999  
 MARCH 1999  
 FRAME 14/2007  
 rjvetel

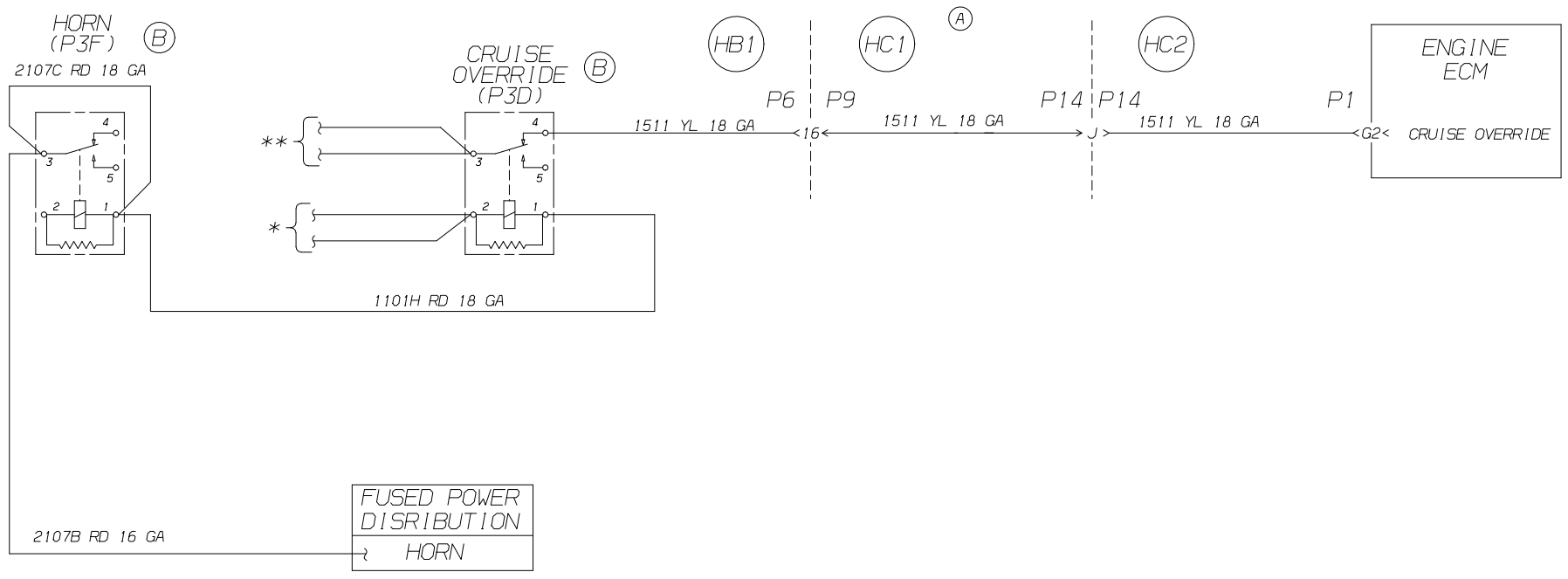


\* SEE DIAGRAM, WRG, GROUND DISTRIBUTION  
 \*\* SEE DIAGRAM, WRG, ECM RETURN DISTRIBUTION

INACTIVATES NOS.

LET.	WAS	REVISIONS	DR.	APP.	CCN
B	----	ADD RELAY DESIGNATOR AND CHG PIN OUTS	RV	RV	12535G
A	----	ADD CHASSIS CIRC	RV	RV	12447B
CCN		BLUE BIRD CORPORATION	SCALE		NONE
12243B		FORT VALLEY GEORGIA, U. S. A.			
DIAGRAM WRG, COOLANT FAN CONTROL, DDEC					
Q4/W4					
DR.	1/28/98	BY	AL	B	1975580
APP.	2/5/98	BY	RV		

REPLACED BY NRN 12839  
MARCH 1999  
FRAME  
05/14/2007

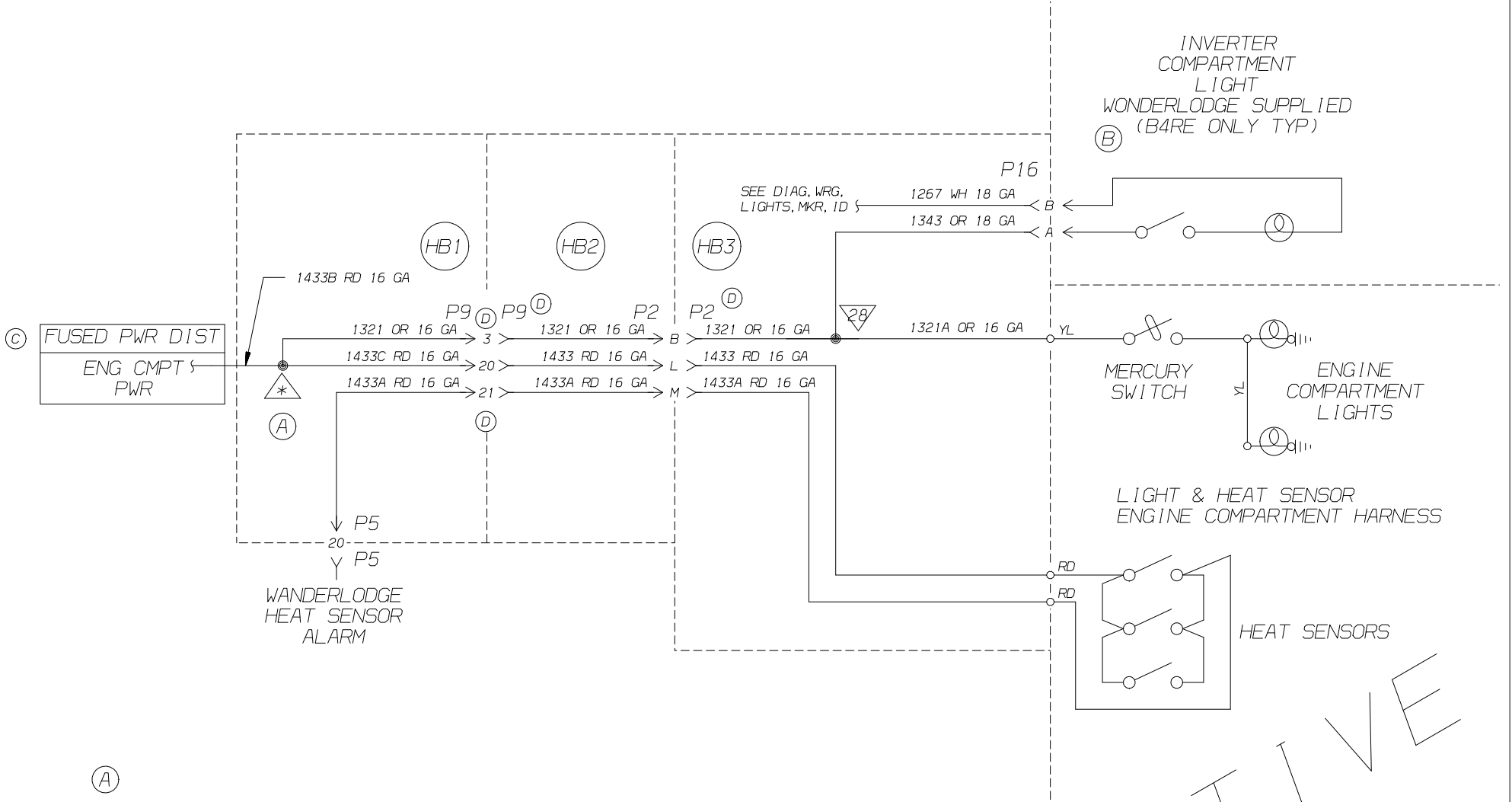


\* SEE DIAGRAM, WRG, STOP LIGHTS  
 \*\* SEE DIAGRAM, WRG, ECM RETURN

INACTIVATES NOS.

CCN 12243B	BLUE BIRD CORPORATION FORT VALLEY GEORGIA, U. S. A.				SCALE ----
DIAGRAM, WRG, CRUISE OVERRIDE, DDEC					
Q4/W4					
DR.	1/29/98	BY	RV	B	1985787
APP.	2/5/98	BY	RV		

05/14/2007 REPLACED BY NRN 12839  
 FEBRUARY 3, 2000  
 FRAME



INVERTER  
COMPARTMENT  
LIGHT  
WONDERLODGE SUPPLIED  
(B4RE ONLY TYP)  
ⓑ

MERCURY  
SWITCH

ENGINE  
COMPARTMENT  
LIGHTS

LIGHT & HEAT SENSOR  
ENGINE COMPARTMENT HARNESS

HEAT SENSORS

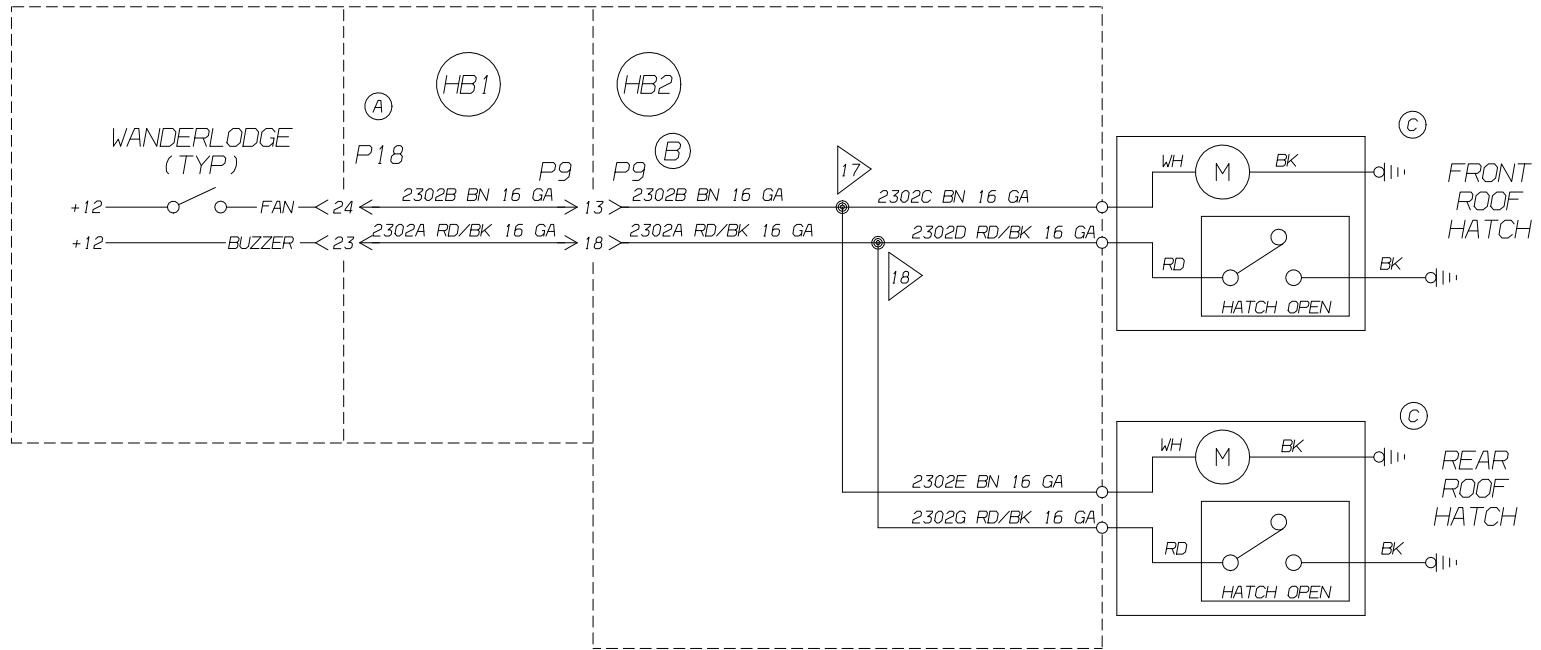
- Ⓐ
- \* B4/Q4, M11 =
  - Q4/W4, DDEC =

CCN 12110G	BLUE BIRD CORPORATION FORT VALLEY GEORGIA, U.S.A.		SCALE NONE
DIAGRAM, WRG, LIGHTS, ENG CMPT			
			Ⓐ
			B4/Q4/W4
DR.	11/19/97	BY AL	B 1991579 PAGE _OF_
APP.	12/4/97	BY RV	

LET.	WAS	REVISIONS	DR.	APP.	CCN
D	---	CHG CONNECTOR AND PIN DESIGNATIONS	RV	RV 2/2/00	12682E
C		ADD FUSED TO DETAIL	RV	RV 3/2/99	12535G
B		ADDED INVERTER COMP LGTS	RV	EA 9/3/98	12243J
A	W4RE	ADDED B4/Q4 TO DWG	AL	EA 2/5/98	12243B



(C) NOTE:  
POWER VENT ONLY ON SUFFIX 03



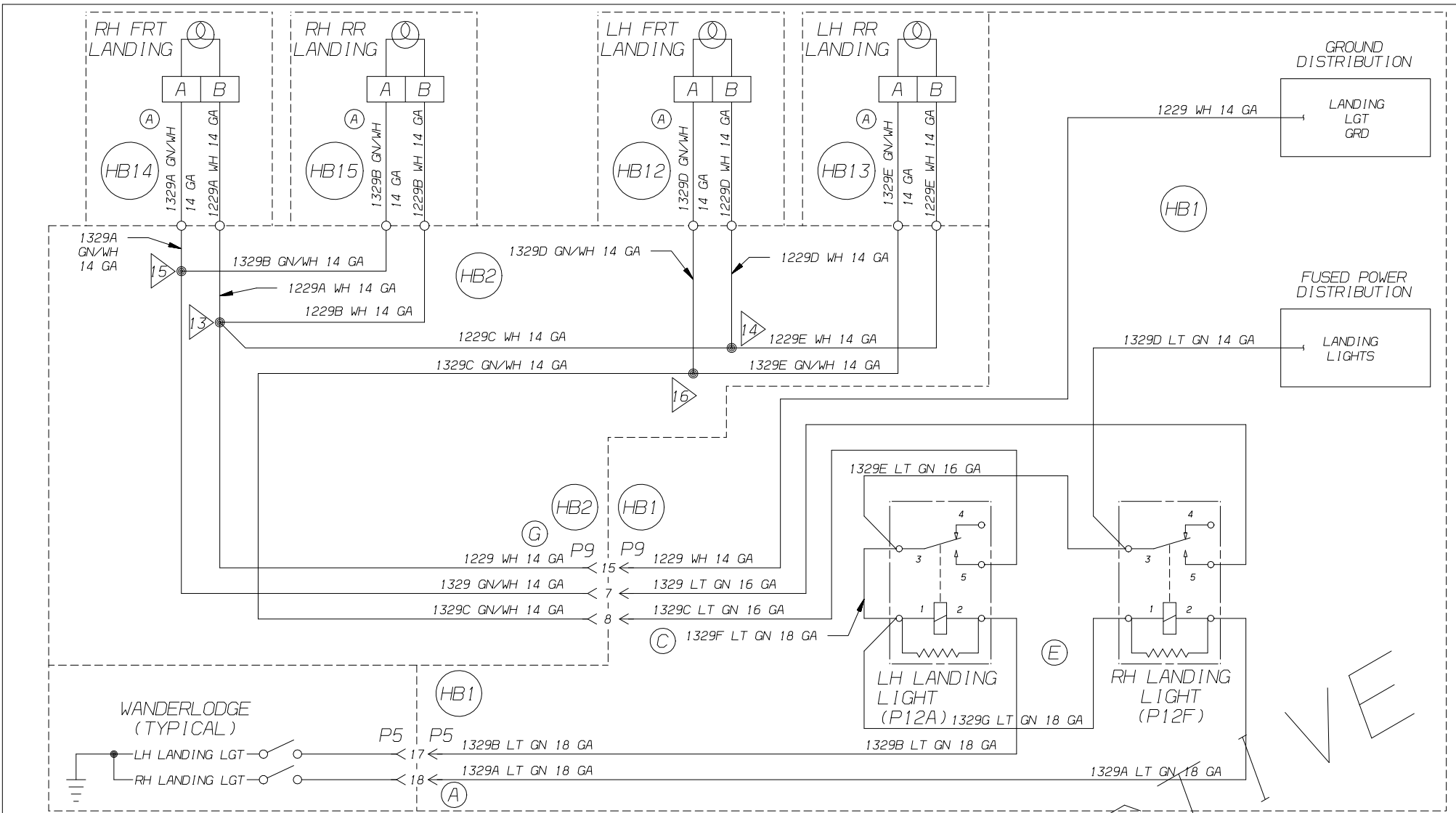
1991595C BDIAGRAM, WRG, ROOF HATCH  
 Q4RE12682E\$00RVEA  
 FEBRUARY 23, 2000  
 REPLICATED BY NRN 12839  
 2002/14/2002  
 FRAME 13.2844  
 1991595C BDIAGRAM, WRG, ROOF HATCH  
 Q4RE12682E\$00RVEA  
 FEBRUARY 23, 2000  
 REPLICATED BY NRN 12839  
 2002/14/2002  
 FRAME 13.2844  
 1991595C BDIAGRAM, WRG, ROOF HATCH  
 Q4RE12682E\$00RVEA  
 FEBRUARY 23, 2000  
 REPLICATED BY NRN 12839  
 2002/14/2002  
 FRAME 13.2844

CCN 12110H	BLUE BIRD CORPORATION FORT VALLEY, GEORGIA, U.S.A.		SCALE NONE
DIAGRAM, WRG, ROOF HATCH			
Q4RE			
DR. 11/19/97	BY AL	B	PAGE 1991595
APP. 1/8/98	BY RV		

LET.	WAS	REVISIONS	DR.	APP.	CCN
C	---	ASSIGNED CKT COLORS AND NOTE	AWS	RV 2/2/00	12682E
B	P1	CHG TO P2	AWS	RV 2/2/00	12682E
A	P16	CHG TO P18	RV	EA 2/24/98	12243F

INACTIVATES NOS.

05/14/2007 REPLACED BY NRN 12839  
 FEBRUARY 3, 2000  
 17.00.43

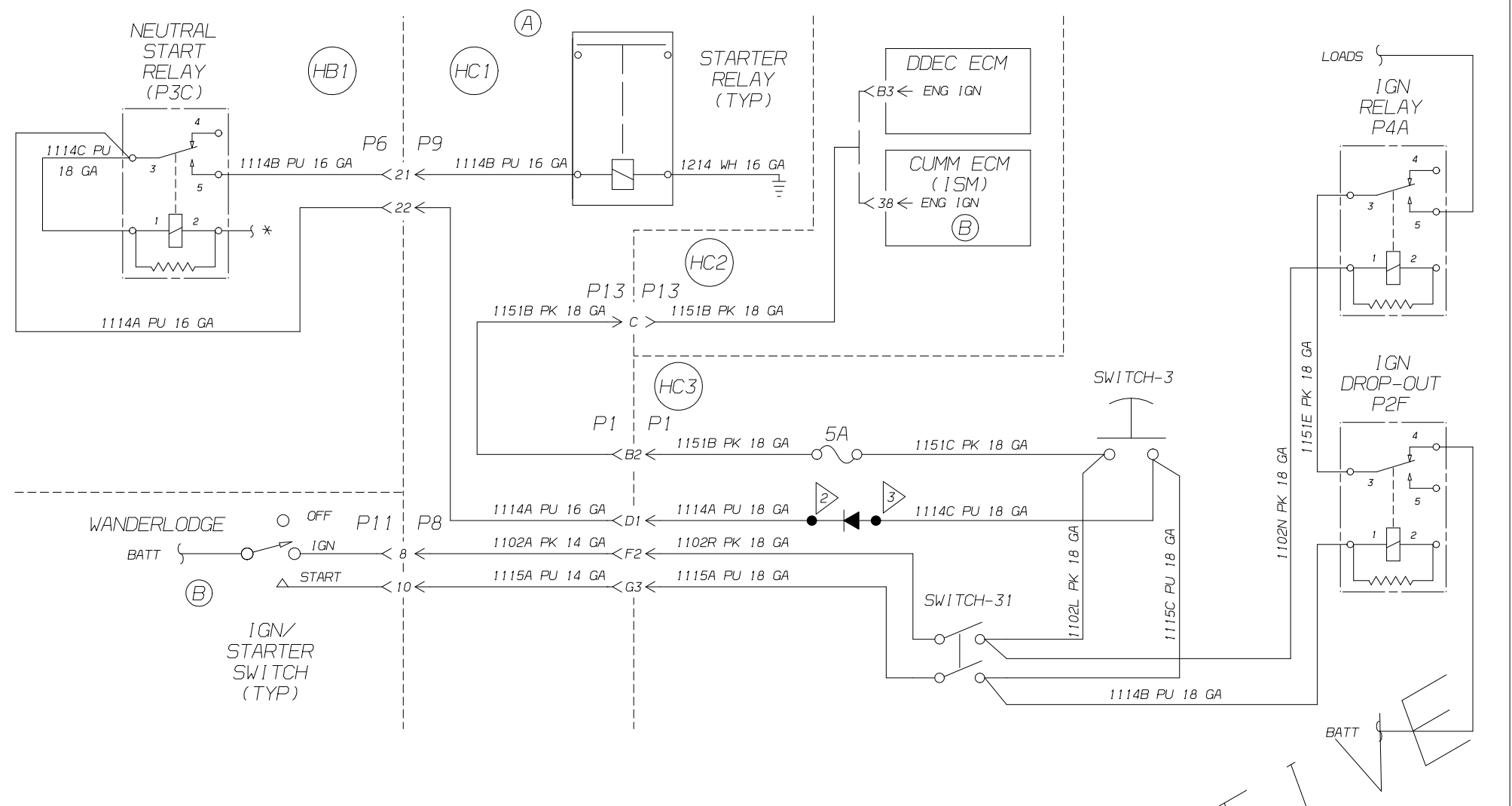


VE

LET.	WAS	REVISIONS	DR.	APP.	CCN
G	---	CHG CONNECTOR DESIGNATION	RV	RV 2/2/00	12682E
F	GN	CHG TO LT GN	RV	RV 5/3/99	12535G
E	---	CHG DISCRPTION; CHG RELAY PIN OUT	RV	RV 3/2/99	12535G
D	---	CHG DISCRPTION	RV	EA 4/7/98	12243E
C	---	CHANGED WIRE GAUGE	RV	RV 2/24/98	12243F
B	W4RE	CHANGED DRAWING DESCRIPTION	AL	RV 01/14/98	12110H
A	GN	CHG TO GN/WH; CORRECT CONN GENDER	RV	RV 01/14/98	12110H

CCN 12110G	BLUE BIRD CORPORATION FORT VALLEY GEORGIA, U. S. A.	SCALE NONE
DIAGRAM, WRG, LIGHTS, LANDING		
(E) B4/Q4/W4		
DR. 11/19/97	BY AL	B 1991611
APP. 12/4/97	BY RV	
INACTIVATES NOS.	LET.	PAGE OF

REPLACED BY NRN 12839  
 MARCH 3, 1999  
 05/14/2007  
 FRAMF  
 156.33  
 1999

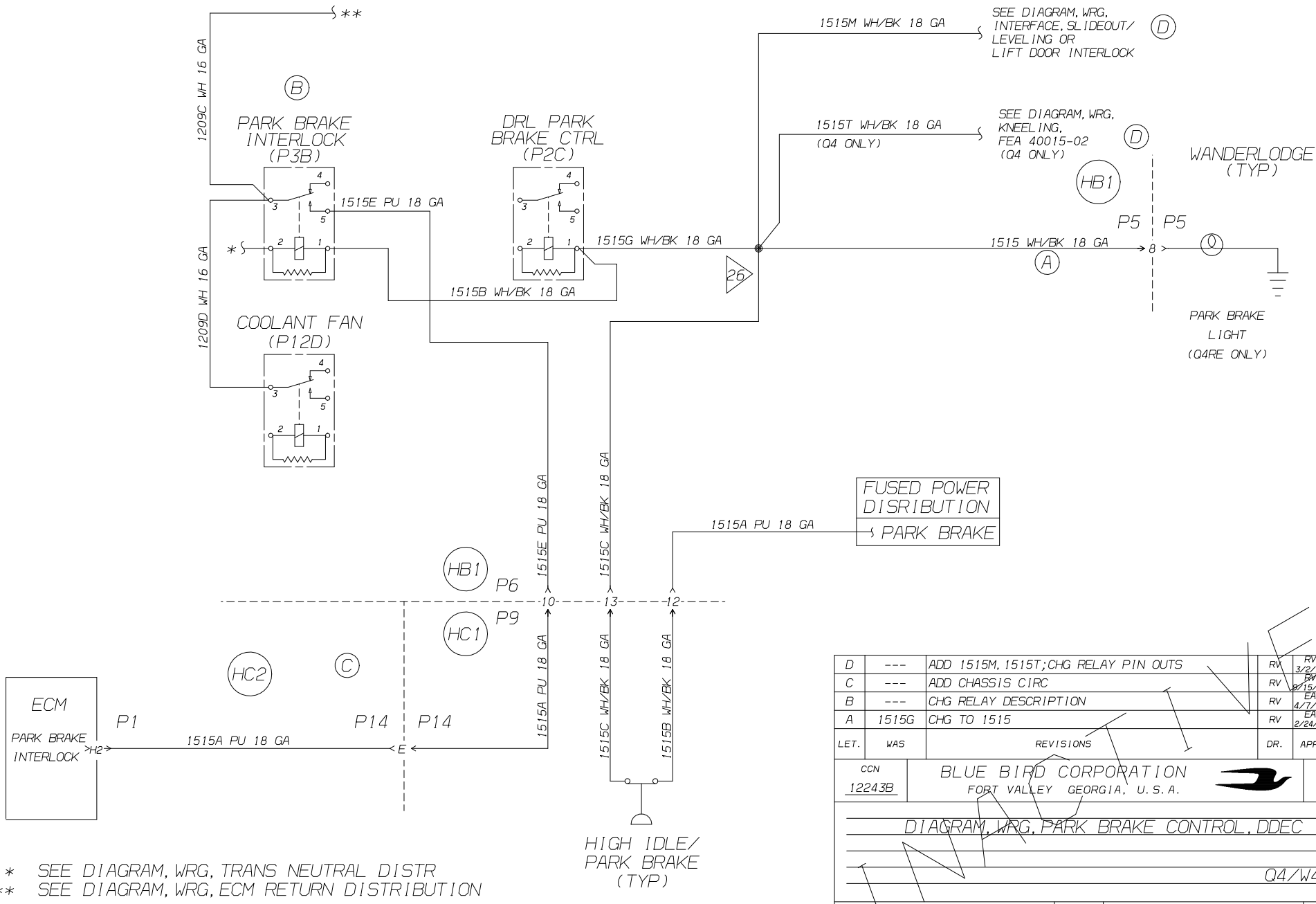


\* SEE DIAGRAM, WRG, TRANS NEUTRAL DISTRIBUTION

CCN 12243B	BLUE BIRD CORPORATION FORT VALLEY GEORGIA, U. S. A.	SCALE NONE
DIAGRAM, WRG, STARTER INTERLOCK/REAR CTRL		
B4/Q4/W4		
DR. 01/05/98	BY AL	B 1995455
APP. 02/10/98	BY EA	
PAGES		PAGE OF

INACTIVATES NOS.	LET.	WAS	REVISIONS	DR.	APP.	CCN
	B	----	CHG IGN/START SW; CHG ECM FROM PIN A TO 38	RV	RV 3/2/99	12535G
	A	----	ADD CHASSIS CIRC	RV	RV 9/15/98	12447B

05/14/2007 REPLACED BY NRN 12839  
 MARCH 3, 1999  
 FRAME



D	---	ADD 1515M, 1515T; CHG RELAY PIN OUTS	RV	RV	12535G
C	---	ADD CHASSIS CIRC	RV	RV	12447B
B	---	CHG RELAY DESCRIPTION	RV	EA	12243E
A	1515G	CHG TO 1515	RV	EA	12243F
LET.	WAS	REVISIONS	DR.	APP.	CCN

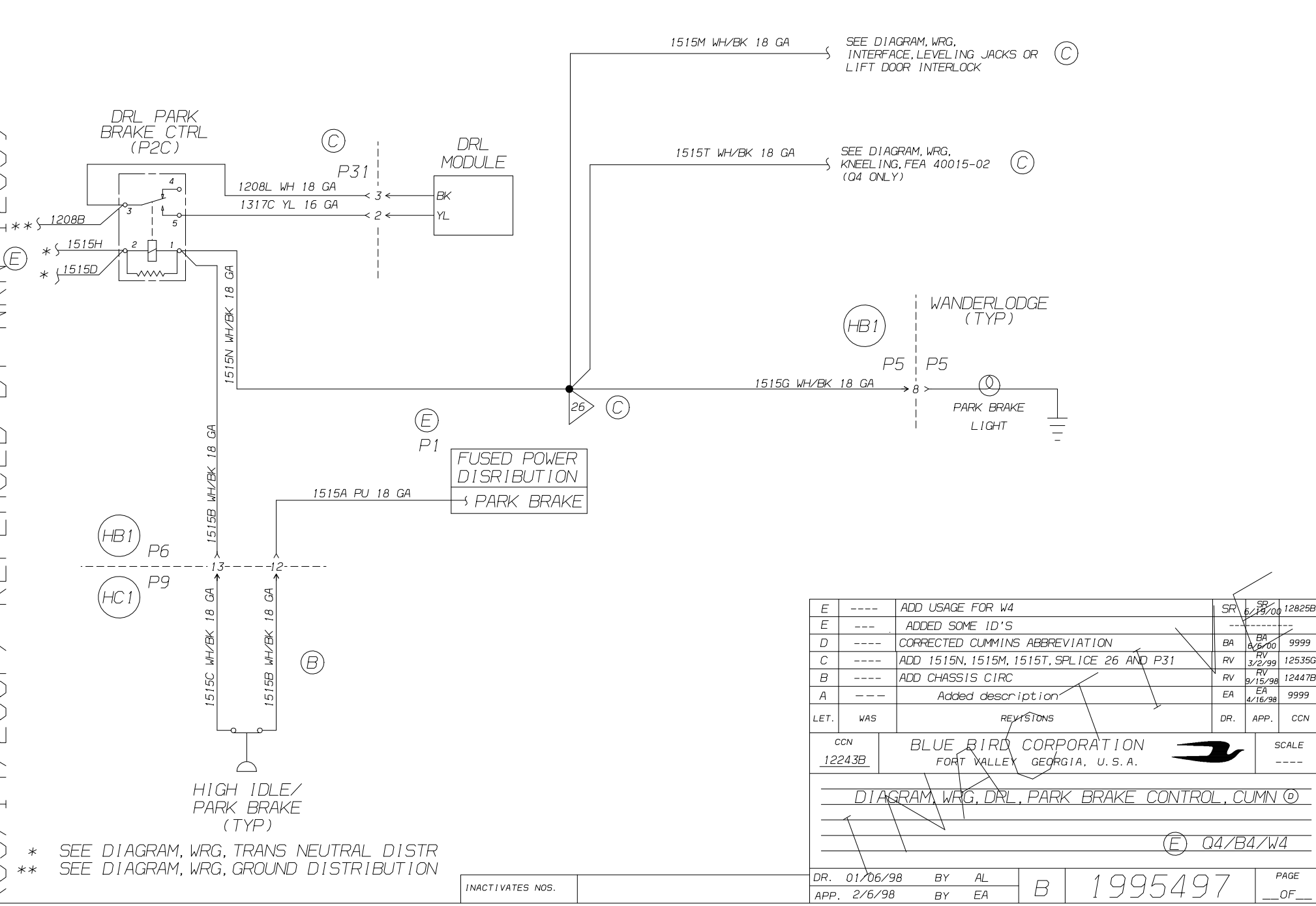
CCN 12243B  
**BLUE BIRD CORPORATION**  
 FORT VALLEY GEORGIA, U.S.A.

DIAGRAM, WRG, PARK BRAKE CONTROL, DDEC  
 Q4/W4

DR.	01/06/98	BY	AL	B	1995463	PAGE
APP.	2/6/98	BY	EA			OF

INACTIVATES NOS.

2007/14/2007 RELEASED BY NRN 12839  
 28,2000  
 29,2000  
 30,2000  
 31,2000  
 32,2000  
 33,2000  
 34,2000  
 35,2000  
 36,2000  
 37,2000  
 38,2000  
 39,2000  
 40,2000  
 41,2000  
 42,2000  
 43,2000  
 44,2000  
 45,2000  
 46,2000  
 47,2000  
 48,2000  
 49,2000  
 50,2000  
 51,2000  
 52,2000  
 53,2000  
 54,2000  
 55,2000  
 56,2000  
 57,2000  
 58,2000  
 59,2000  
 60,2000  
 61,2000  
 62,2000  
 63,2000  
 64,2000  
 65,2000  
 66,2000  
 67,2000  
 68,2000  
 69,2000  
 70,2000  
 71,2000  
 72,2000  
 73,2000  
 74,2000  
 75,2000  
 76,2000  
 77,2000  
 78,2000  
 79,2000  
 80,2000  
 81,2000  
 82,2000  
 83,2000  
 84,2000  
 85,2000  
 86,2000  
 87,2000  
 88,2000  
 89,2000  
 90,2000  
 91,2000  
 92,2000  
 93,2000  
 94,2000  
 95,2000  
 96,2000  
 97,2000  
 98,2000  
 99,2000  
 100,2000

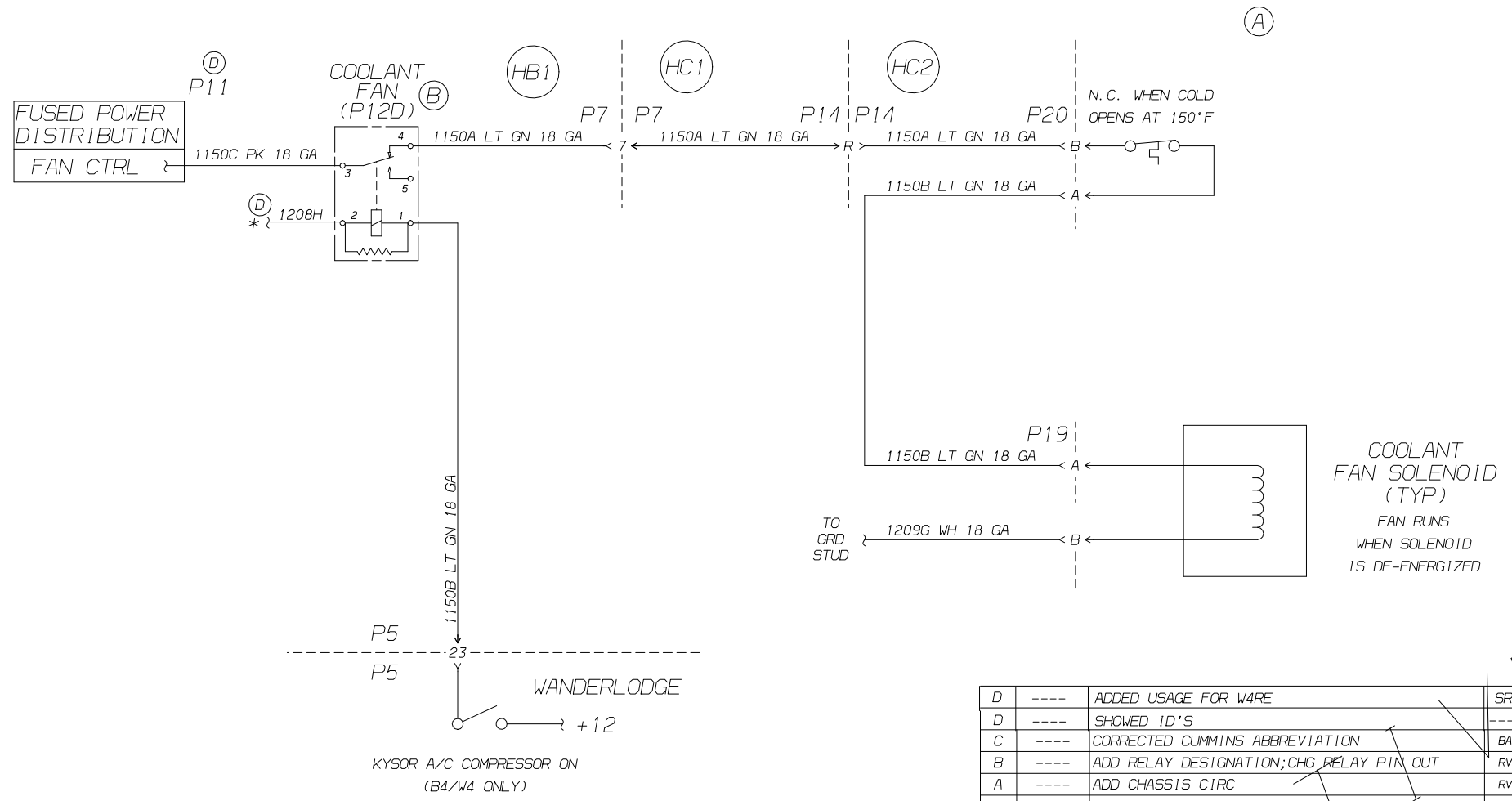


E	----	ADD USAGE FOR W4	SR	SP	12825B
E	---	ADDED SOME ID'S			
D	----	CORRECTED CUMMINS ABBREVIATION	BA	EA	9999
C	----	ADD 1515N, 1515M, 1515T, SPLICE 26 AND P31	RV	RV	12535G
B	----	ADD CHASSIS CIRC	RV	RV	12447B
A	----	Added description	EA	EA	9999
LET.	WAS	REVISIONS	DR.	APP.	CCN

CCN 12243B	BLUE BIRD CORPORATION FORT VALLEY, GEORGIA, U.S.A.	SCALE ----
DIAGRAM, WRG, DRL, PARK BRAKE CONTROL, CUMN ©		
E Q4/B4/W4		
DR. 01/06/98	BY AL	B 1995497
APP. 2/6/98	BY EA	
INACTIVATES NOS.		PAGE OF

\* SEE DIAGRAM, WRG, TRANS NEUTRAL DISTR  
 \*\* SEE DIAGRAM, WRG, GROUND DISTRIBUTION


REPLACED BY NRN 12839  
 JUNE 28, 2000  
 2002  
 14.13.18  
 28, 2000  
 2002  
 14.13.18  
 28, 2000  
 2002  
 14.13.18



D	----	ADDED USAGE FOR W4RE	SR	SR	5/19/00	12825B
D	----	SHOWED ID'S	----	----	----	----
C	----	CORRECTED CUMMINS ABBREVIATION	BA	KF	6/6/00	9999
B	----	ADD RELAY DESIGNATION; CHG RELAY PIN OUT	RV	RV	3/2/99	12535G
A	----	ADD CHASSIS CIRC	RV	RV	9/15/98	12447B
LET.	WAS	REVISTONS	DR.	APP.	CCN	

CCN  
12243B

BLUE BIRD CORPORATION  
FORT VALLEY, GEORGIA, U. S. A.



SCALE  
----

DIAGRAM, WRG, COOLANT FAN CONTROL, CUMN ©

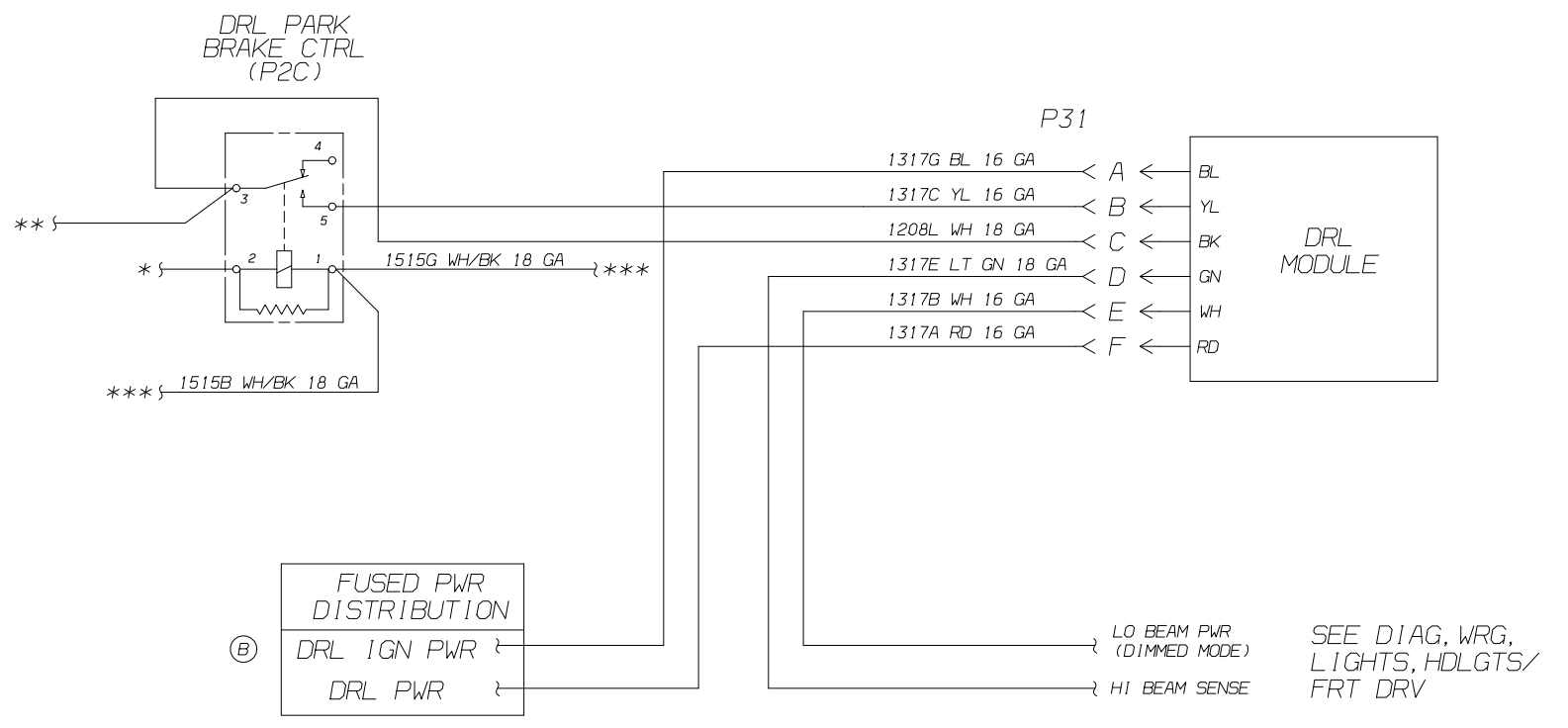
(D) Q4/B4/W4

\* SEE DIAGRAM, WRG, GROUND DISTRIBUTION

INACTIVATES NOS.

DR.	01/06/98	BY	AL	B	1995505	PAGE
APP.	2/6/98	BY	EA			OF

RECALCULATED BY NRN 12839  
 MAY 15 1999  
 MAY 14 2007  
 FRAME 1  
 rjw@tel

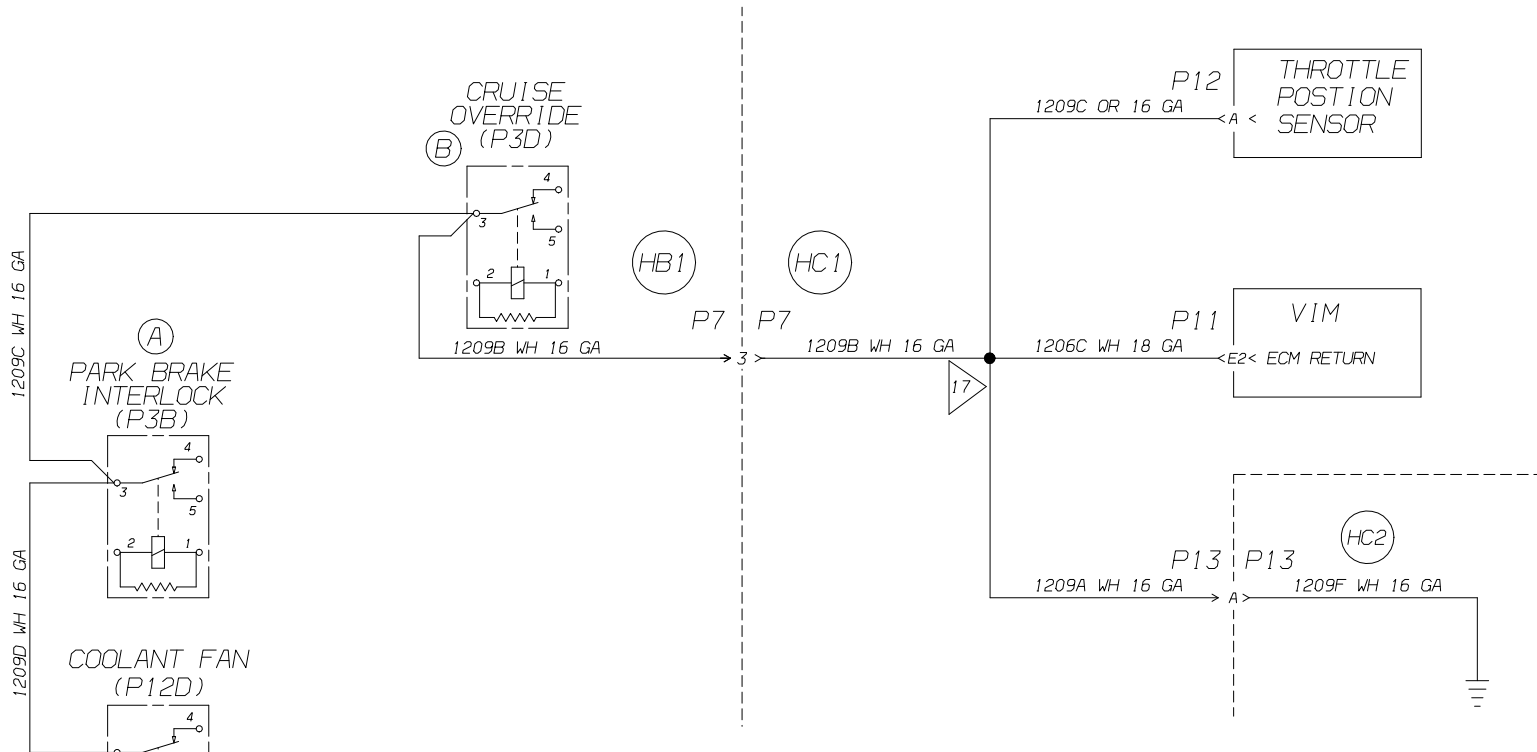


\* SEE DIAGRAM, WRG, TRANS NEUTRAL DISTR  
 \*\* SEE DIAGRAM, WRG, GROUND DISTRIBUTION  
 \*\*\* SEE DIAGRAM, WRG, PARK BRAKE CONTROL

CCN	12243E		BLUE BIRD CORPORATION FORT VALLEY GEORGIA, U.S.A.		SCALE	----
DIAGRAM, WRG, DAYTIME RUNNING LIGHTS						
B4/Q4/W4						
DR.	01/27/98	BY	AL	B	1999853	PAGE
APP.	4/7/98	BY	EA			OF

INACTIVATES NOS.

05/14/2007 REPLACED BY NRN 12839  
 MARCH 2006  
 1999  
 FROM  
 rjw@tel

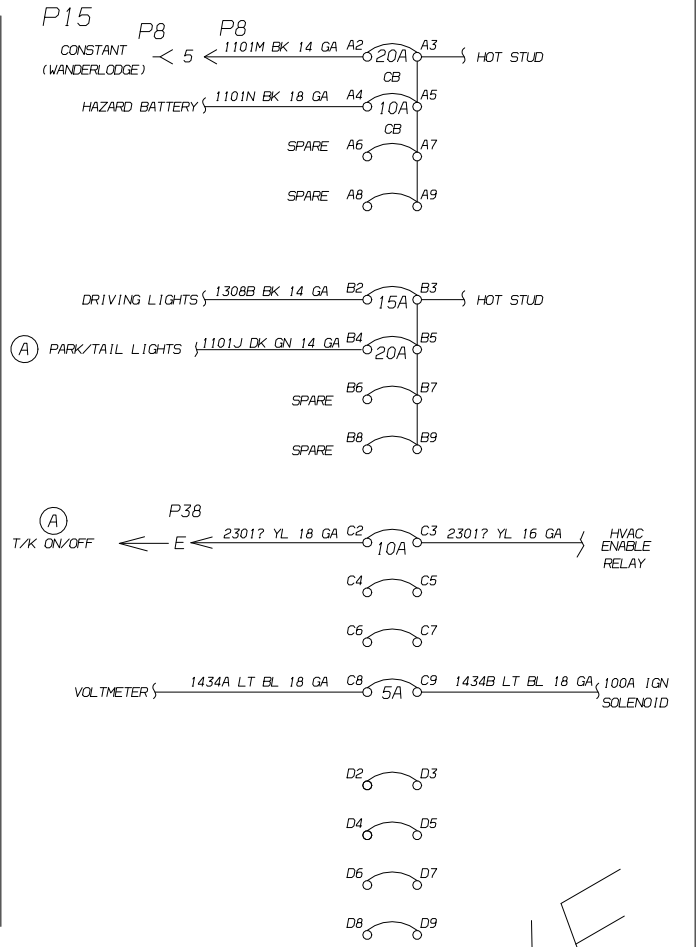
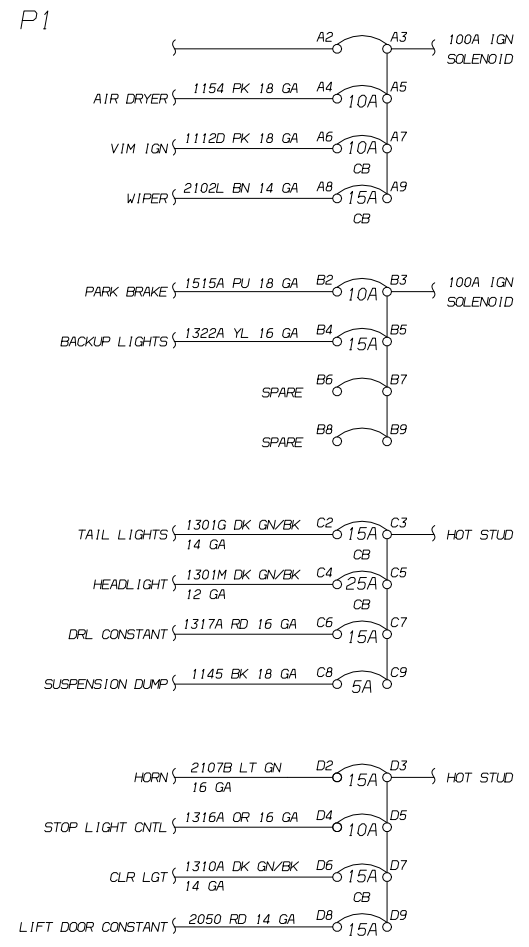
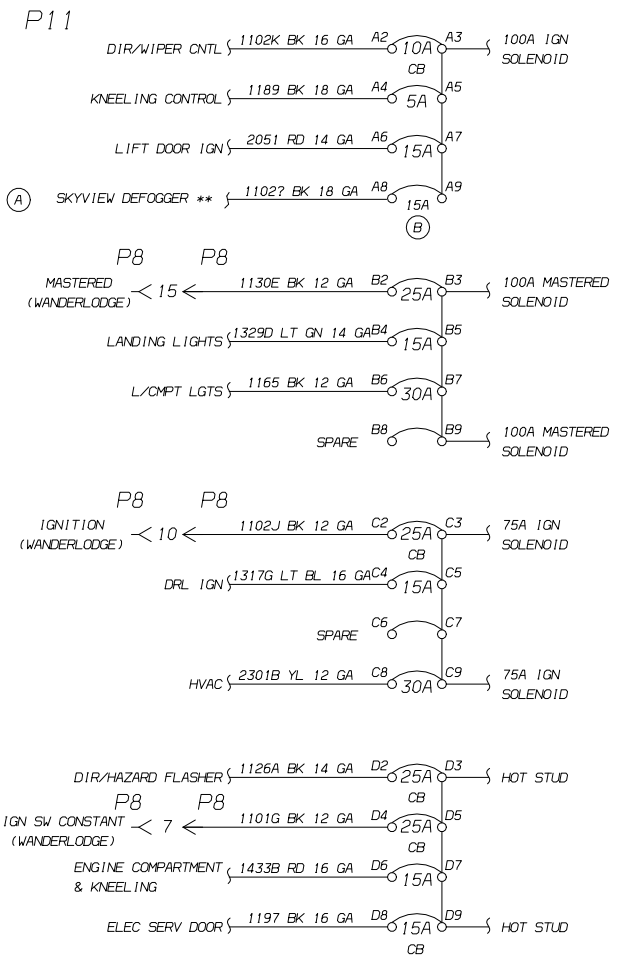



C	----	ADD RELAY DESIGNATORS; CHG RELAY, PIN OUTS	RV	RV	12535G
B	----	ADD CHASSIS CIRC	RV	RV	12447B
A	----	CHG RELAY DESCRIPTION	RV	EA	12243E
LET.	WAS	REVISIONS	DR.	APP.	CCN
CCN 12243B		BLUE BIRD CORPORATION FORT VALLEY GEORGIA, U. S. A.			SCALE ----
DIAGRAM, WRG, ECM RETURN DISTRIBUTION, DDEC					
Q4/W4					
DR. 01/27/98		BY AL		B	1999861
APP. 2/6/98		BY EA			

INACTIVATES NOS.



2000 RELEASED BY NRN 12839  
 2002/1/1  
 2003/1/1  
 2004/1/1  
 2005/1/1  
 2006/1/1  
 2007/1/1  
 2008/1/1  
 2009/1/1  
 2010/1/1  
 2011/1/1  
 2012/1/1  
 2013/1/1  
 2014/1/1  
 2015/1/1  
 2016/1/1  
 2017/1/1  
 2018/1/1  
 2019/1/1  
 2020/1/1  
 2021/1/1  
 2022/1/1  
 2023/1/1  
 2024/1/1  
 2025/1/1

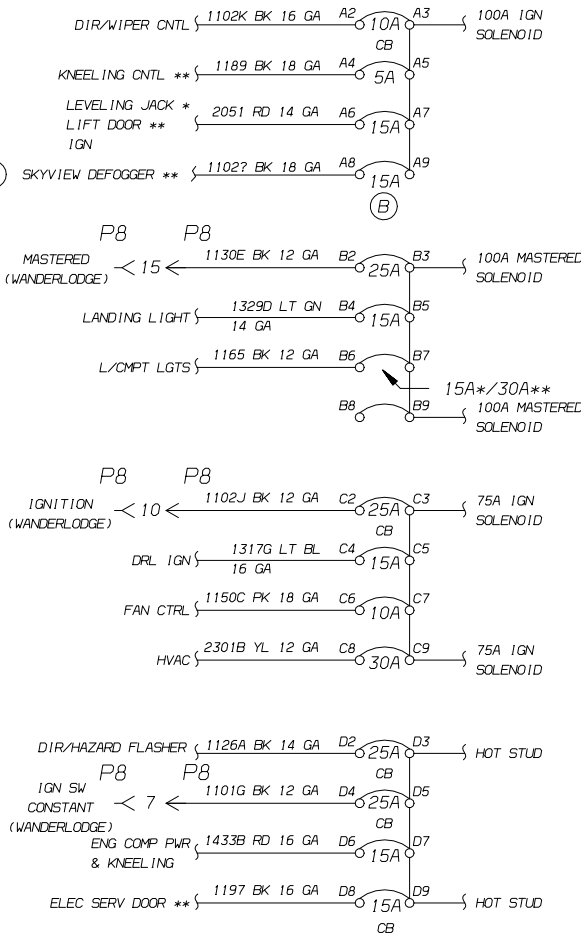


B	---	CHG FUSE RATING TO 15A	SR	7/12/00	9999
A	---	ADDED FUSE FOR PARK/TAIL LIGHTS	SR	6/21/00	12764F
A	---	ADDED FUSE FOR SKYVIEW DEFOGGER	SR	6/15/00	12764F
A	---	REMOVED 10A FUSE FROM P1:A2A3 TO P15:C2C3	SR	---	---
LET.	WAS	REVISTONS	DR.	APP.	CCN
CCN	12762B	BLUE BIRD CORPORATION FORT VALLEY, GEORGIA, U. S. A.			SCALE ---
DIAGRAM, WRG, POWER DISTR, FUSED, DDEC					
Q4RE					
DR.	4/27/00	BY	TH	B	0026630
APP.	4/27/00	BY	TH		

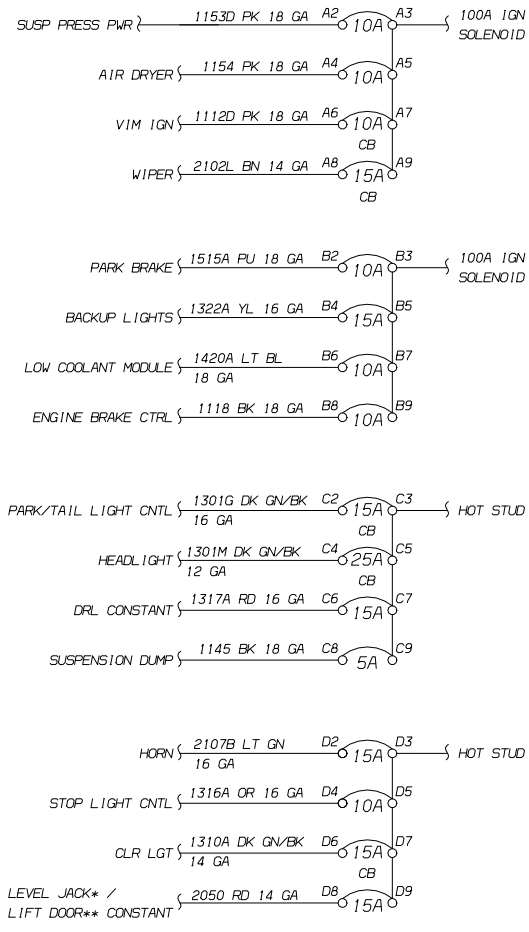
INACTIVATES NOS. 0017278

2000 JULY 13 10:50 AM  
 2002/11/13 10:50 AM  
 2003/11/13 10:50 AM  
 2004/11/13 10:50 AM  
 2005/11/13 10:50 AM  
 2006/11/13 10:50 AM  
 2007/11/13 10:50 AM  
 2008/11/13 10:50 AM  
 2009/11/13 10:50 AM  
 2010/11/13 10:50 AM  
 2011/11/13 10:50 AM  
 2012/11/13 10:50 AM  
 2013/11/13 10:50 AM  
 2014/11/13 10:50 AM  
 2015/11/13 10:50 AM  
 2016/11/13 10:50 AM  
 2017/11/13 10:50 AM  
 2018/11/13 10:50 AM  
 2019/11/13 10:50 AM  
 2020/11/13 10:50 AM  
 2021/11/13 10:50 AM  
 2022/11/13 10:50 AM  
 2023/11/13 10:50 AM  
 2024/11/13 10:50 AM  
 2025/11/13 10:50 AM  
 2026/11/13 10:50 AM  
 2027/11/13 10:50 AM  
 2028/11/13 10:50 AM  
 2029/11/13 10:50 AM  
 2030/11/13 10:50 AM

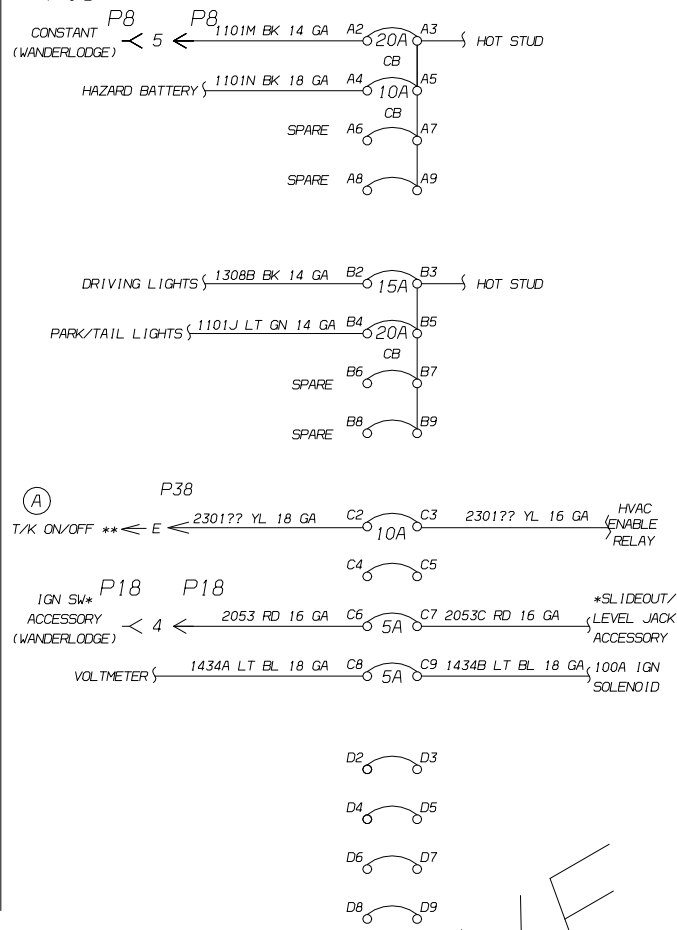
P11



P1



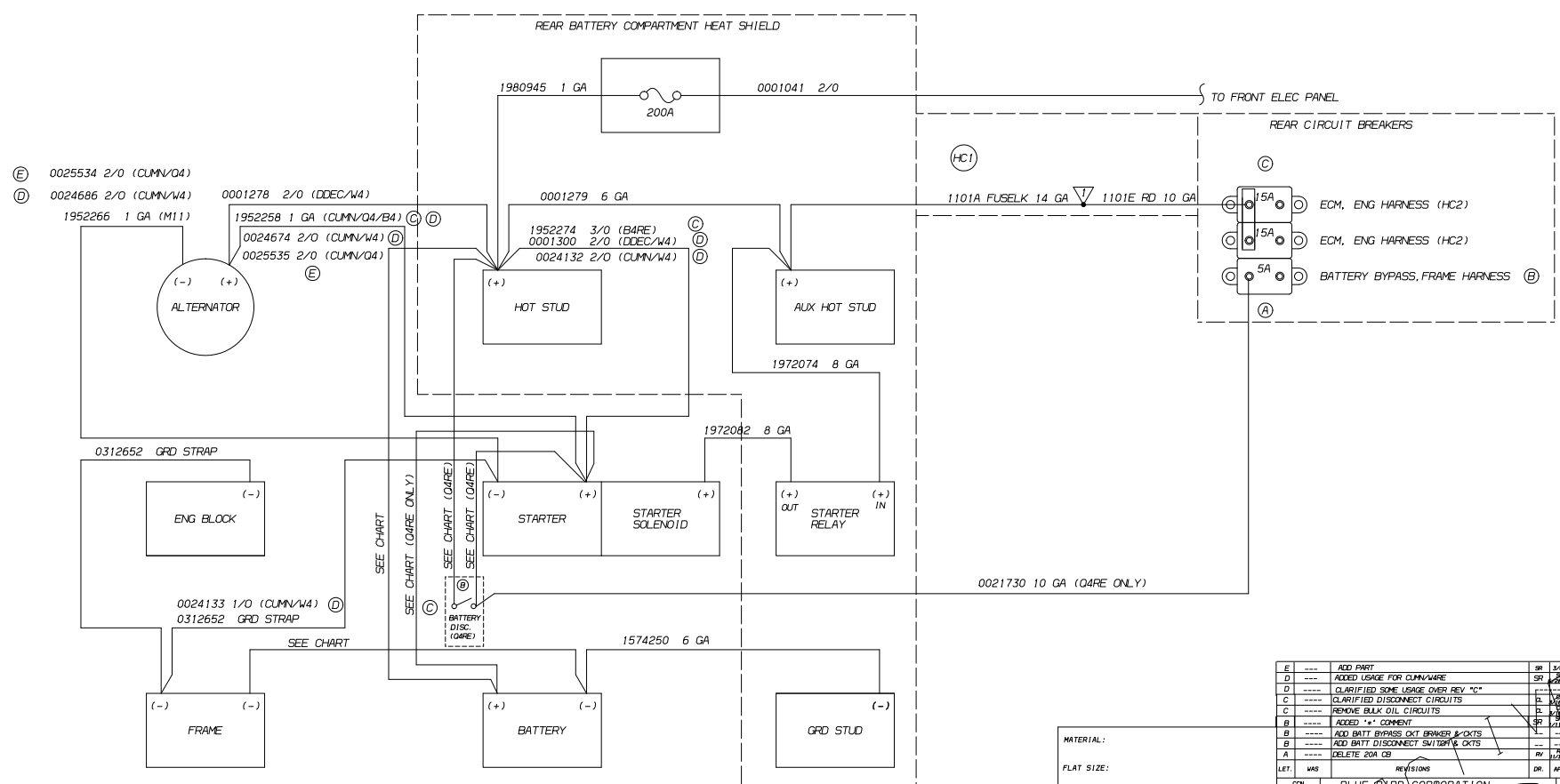
P15



\* B4 ONLY  
 \*\* Q4 ONLY

B	---	CHG FUSE RATING TO 15A	SR	7/12/00	9999
A	---	ADD FUSE FOR SKYVIEW DEFOGGER	SR	6/15/00	12764F
A	---	ADD NEW FUSE FOR T/K AS PER DESIGN CHG	SR	6/8/00	12843A
LET.	WAS	REVISTONS	DR.	APP.	CCN
CCN	12762B	BLUE BIRD CORPORATION FORT VALLEY, GEORGIA, U. S. A.	SCALE		---
DIAGRAM, WRG, POWER DISTR, FUSED, CUMM					
B4/Q4					
DR.	4/19/00	BY	TH	B	0026344
APP.	4/19/00	BY	TH		

INACTIVATES NOS. 0017279



BATTERY CABLES		SWITCH TO HOT STUD	STARTER TO SWITCH
	NEG	POS	
B4RE	1950765	1950682	N/A
O4RE	0016638	0016637 *	0021724
W4RE	1478114	1478106	N/A

\* TO STARTER

MATERIAL:

FLAT SIZE:

FINISH: RAW  PAINT  PRIME  OTHER

TOLERANCE ON ALL DIMENSIONS IS, PLUS  OR MINUS  UNLESS OTHERWISE SPECIFIED

DO NOT SCALE

INACTIVATES NOS.

REV	DESCRIPTION	DATE	BY	CHKD
E	ADD PART	2/95	12845J	
D	ADDED USAGE FOR CUMN/W4RE	2/95	12845B	
D	CLARIFIED SOME USAGE OVER REV "C"	1/95		
C	CLARIFIED DISCONNECT CIRCUITS	1/95		
C	REMOVE BULK OIL CIRCUITS	1/95		
B	ADDED "*" COMMENT	1/95		
B	ADD BATT BYPASS CKT BRAKER & CKTS	1/95		
B	ADD BATT DISCONNECT SWITCH & CKTS	1/95		
A	DELETE 20A CB	1/95		

REVISIONS

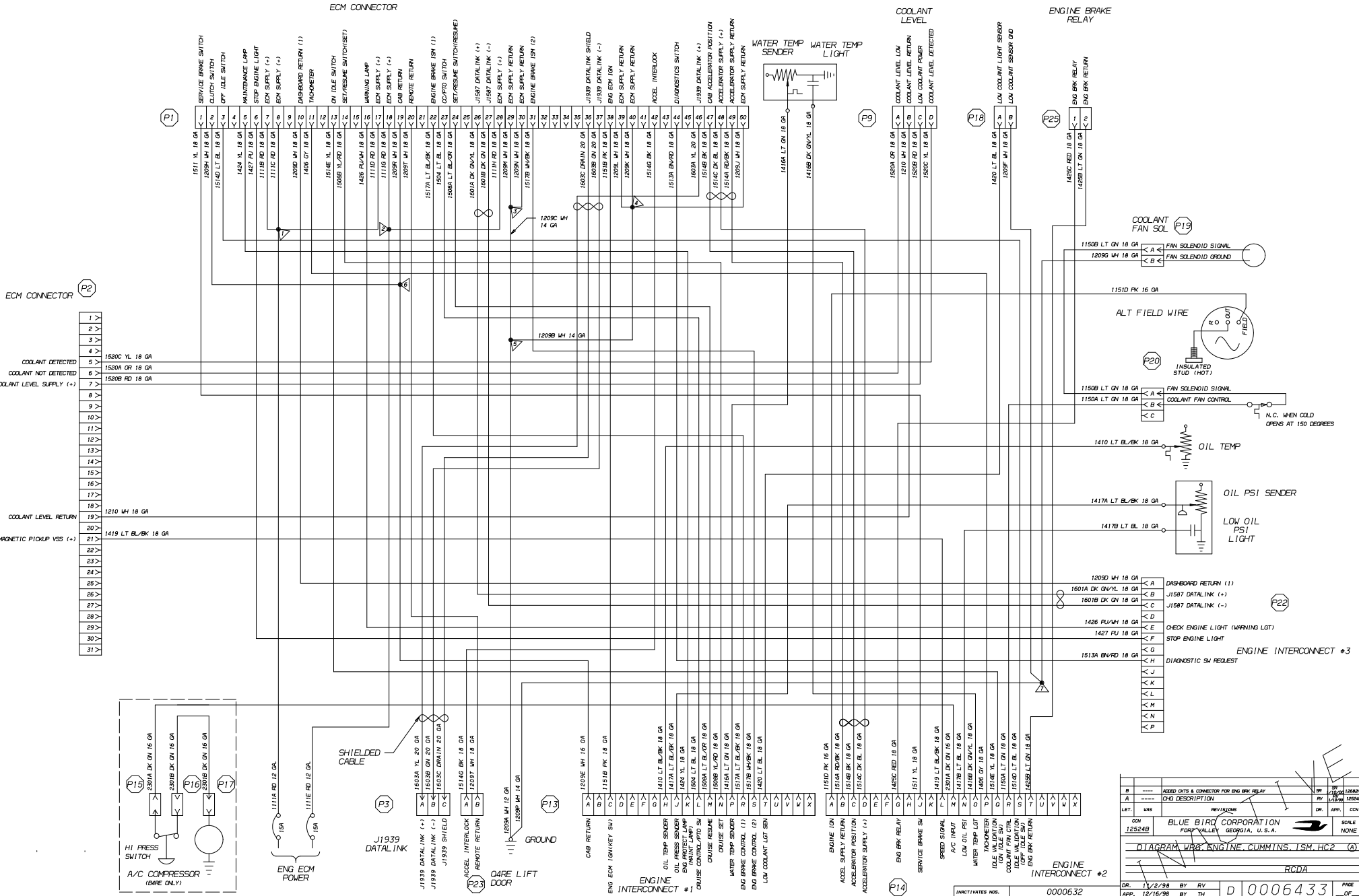
BLUE BIRD CORPORATION  
FORT VALLEY, GEORGIA, U.S.A.

DIAGRAM WRG, POWER DISTRIBUTION, REAR

SCALE: NONE

DR: 9/3/98 BY: RV  
APP: 9/15/98 BY: RV

C 0005203 PAGE: 1 OF 1



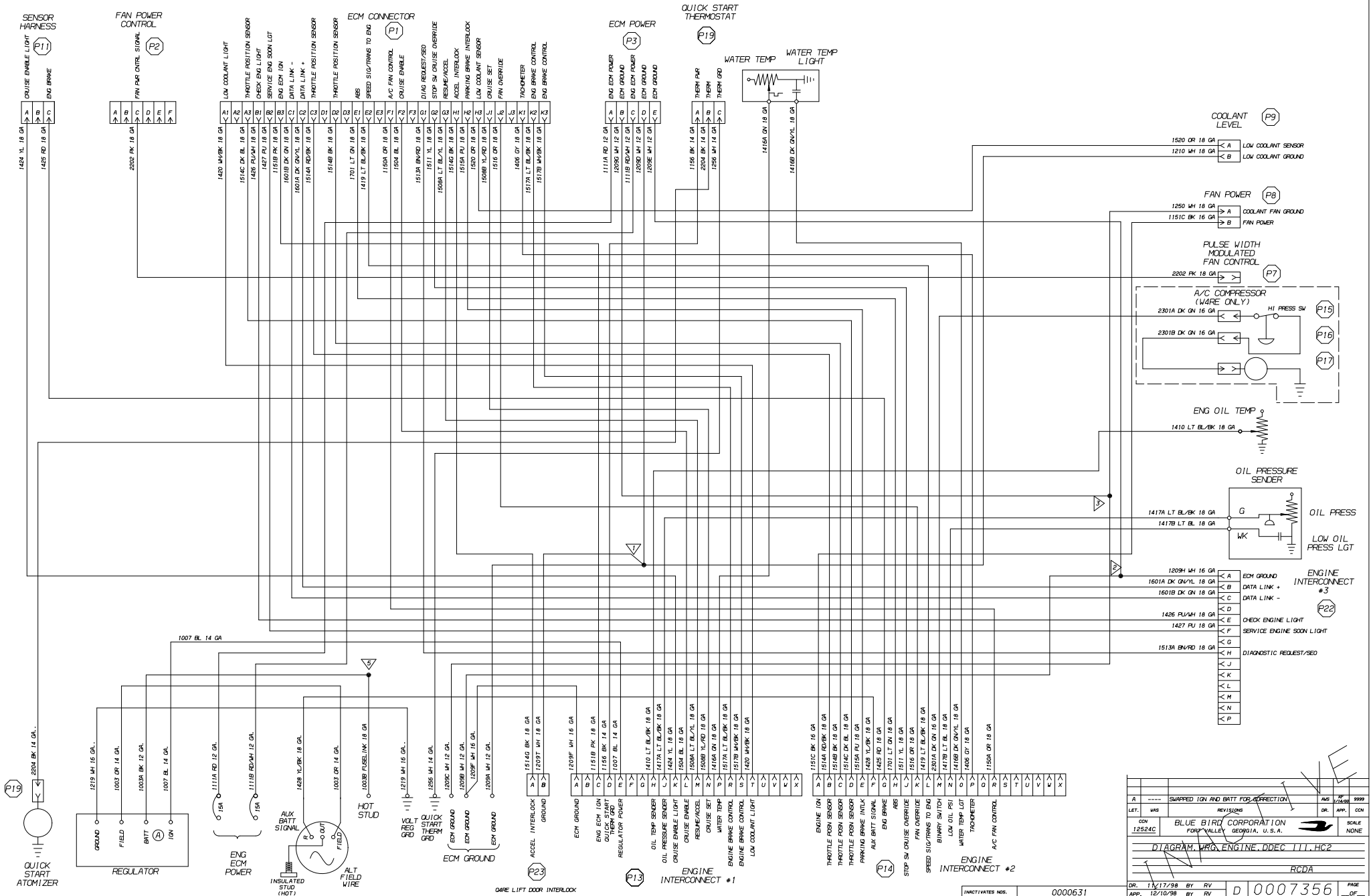
JANUARY 10, 2000 13.38-54

REV	DESCRIPTION	DATE	BY	APP.
1	ADD DOTS & CONNECTOR FOR ENG BRK RELAY	1/2/98	RV	TH
2	CHG DESCRIPTION	12/16/98	RV	TH
12524B BLUE BIRD CORPORATION FORD VALLEY GEORGIA, U.S.A.				
DIAGRAM WAG, ENGINE, CUMMINS, ISM, HC2 (A)				
RCDA				
DR. 11/2/98 BY RV APP. 12/16/98 BY TH				

0000632

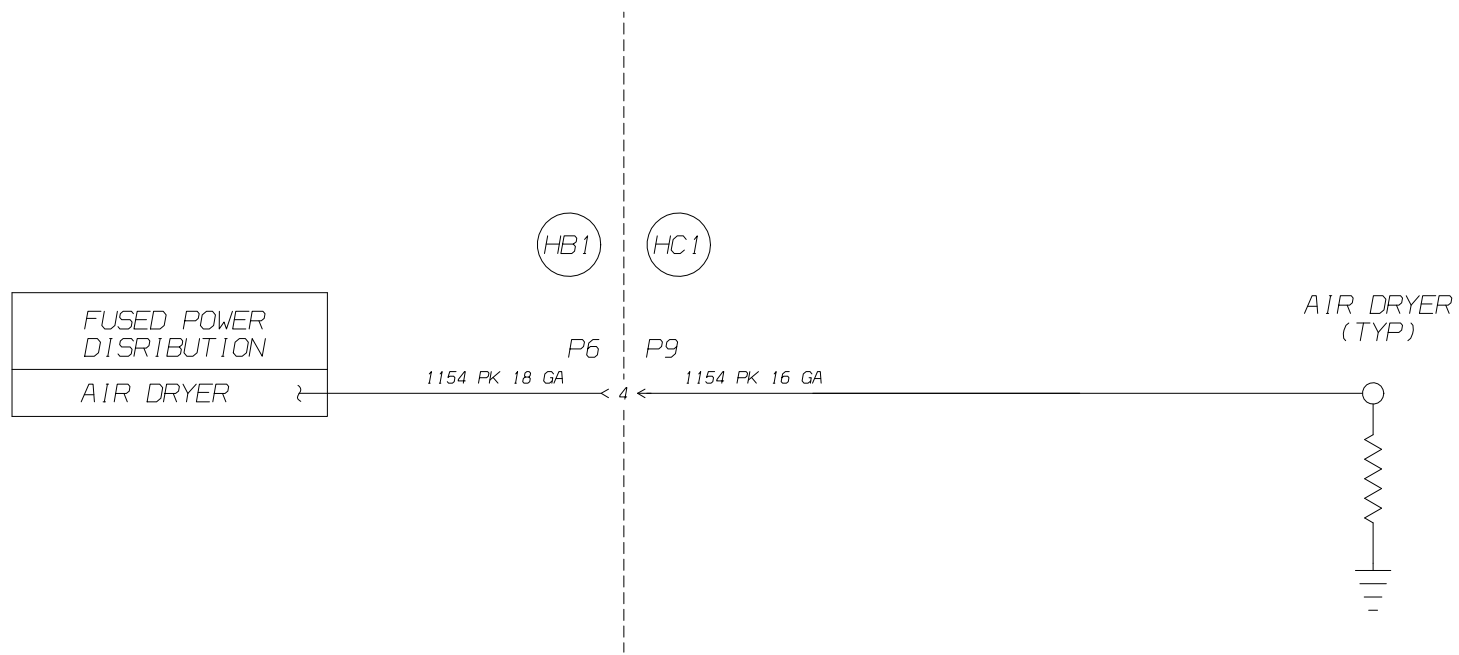
D 0006433

FRAME 1 JANUARY 14, 2000 10.47.07



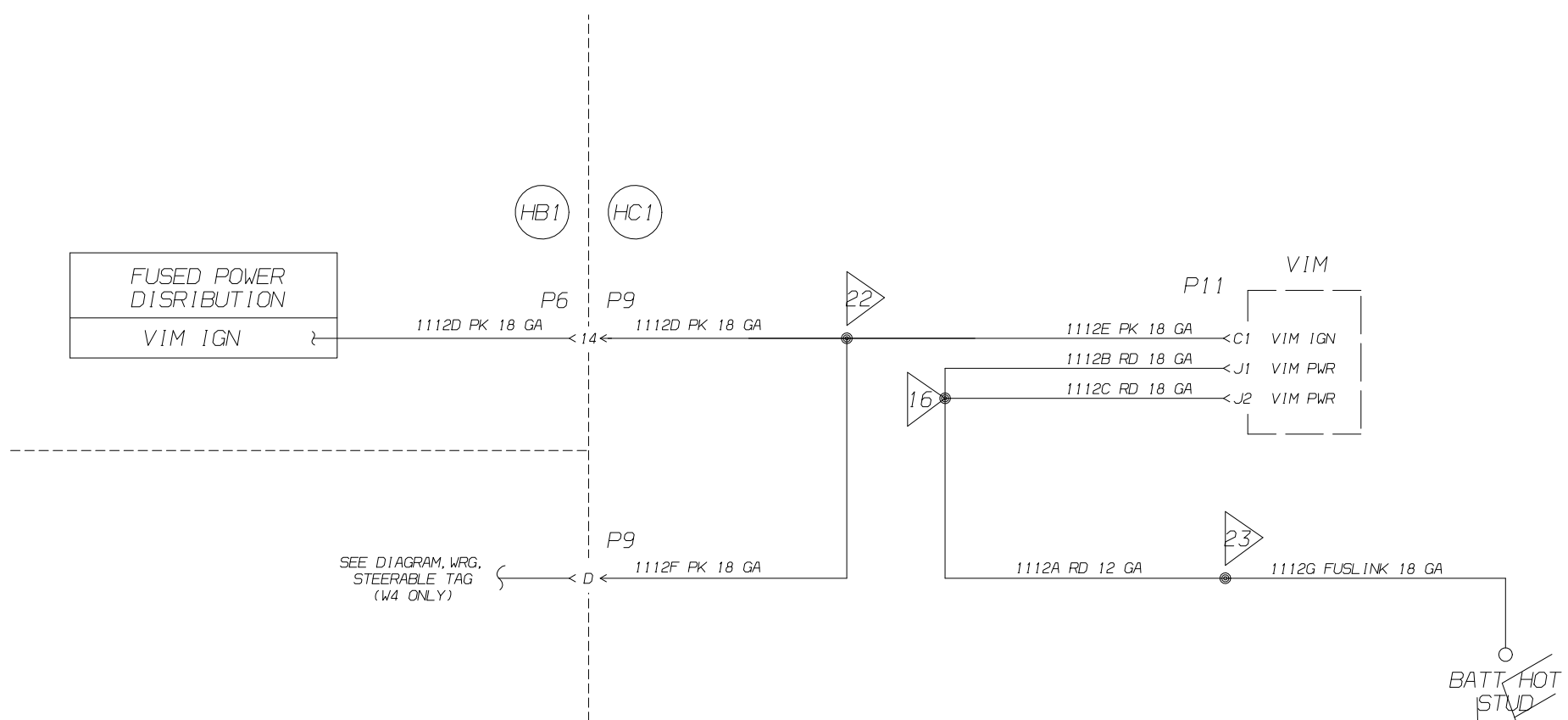
REV	DESCRIPTION	DATE	BY
A	SWAPPED IGN AND BATT FOR CORRECTION	05/16/99	9999
LET	WAS		
CON	BLUE BIRD CORPORATION FORT VALLEY, GEORGIA, U.S.A.		
DIAGRAM, WRG, ENGINE, DDEC 111, HC2			
RCDA			
INACTIVATES NOS.		0000631	
DR.	12/17/98	BY	RV
APP.	12/10/98	BY	RV
D 0007356		PAGE	
		OF	

REPLACED BY NRN 12839  
0852, 04  
1999  
FEBRUARY 26, 1999  
FRAME  
1  
05/14/2007  
rjwete1



LET.	WAS	REVISIONS	DR.	APP.	CCN
CCN	BLUE BIRD CORPORATION				SCALE
12535G	FORT VALLEY GEORGIA, U.S.A.				----
DIAGRAM, WRG, AIR DRYER					
B4/Q4/W4					
DR.	1/28/99	BY	RV	B	0009289
APP.	3/1/99	BY	RV		
INACTIVATES NOS.			PAGE		
			OF		

05/14/2007 RELEASED BY NRN 12839  
 FEBRUARY 26, 1999  
 0853,36

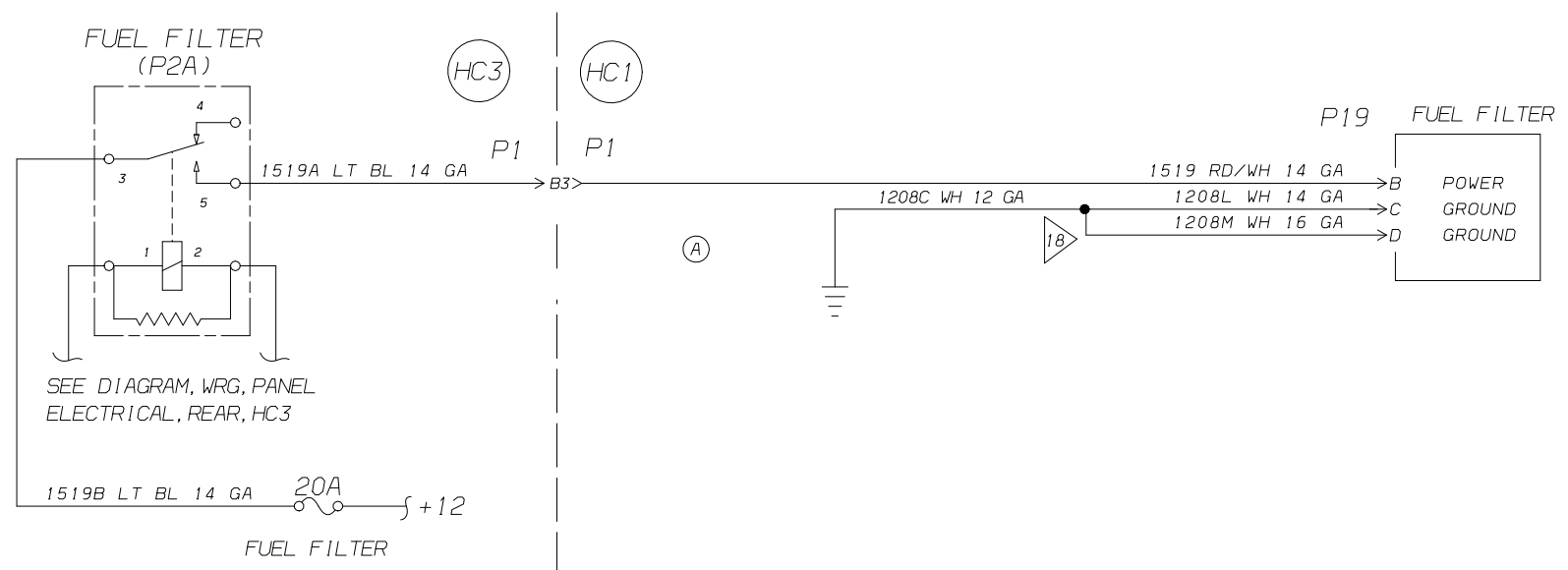


SEE DIAGRAM, WRG.  
STEERABLE TAG  
(W4 ONLY)

LET.	WAS	REVISIONS	DR.	APP.	CCN
CCN 12535G		BLUE BIRD CORPORATION FORT VALLEY GEORGIA, U.S.A.		SCALE ----	
DIAGRAM, WRG, VIM PWR					
B4/Q4/W4					
DR. 1/28/99		BY RV		B	0009291
APP. 3/1/99		BY RV			

INACTIVATES NOS.

REPLACED BY NRN 12839



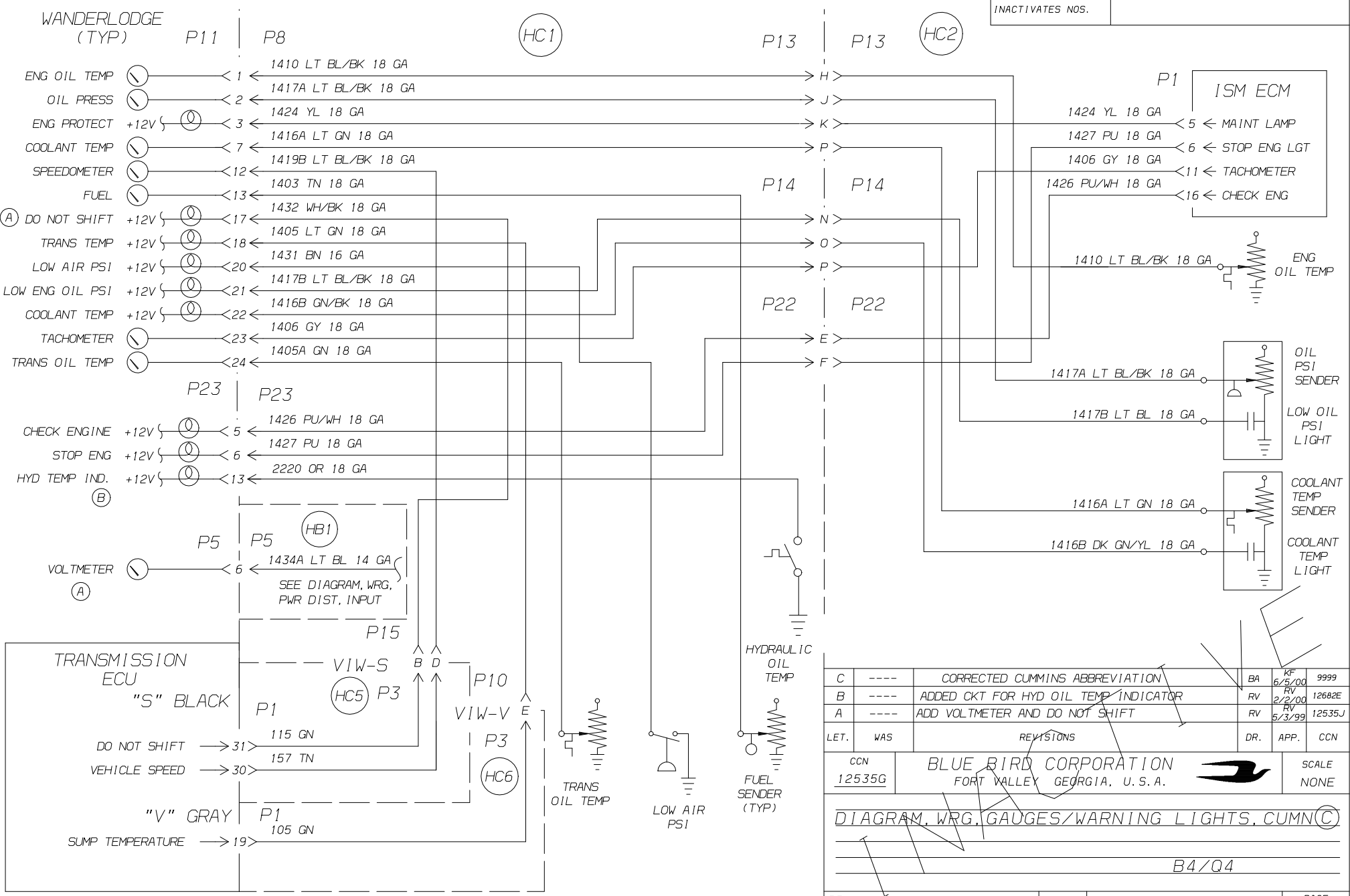
A		----	DELETE 1208C IN HC3 AND 1208K IN HC1	RV	RV	12535N	
LET.	WAS	REVISIONS			DR.	APP.	CCN
CCN		BLUE BIRD CORPORATION			SCALE		
12535G		FORT VALLEY GEORGIA, U. S. A.			NONE		
DIAGRAM, WRG, FUEL FILTER, HEATED							
B4/Q4							
DR.	2/8/99	BY	RV	B	0009732	PAGE	
APP.	3/1/99	BY	RV			OF	

INACTIVATES NOS.



REPLACED BY NRN 12839  
 JUNE 14/2007  
 FRAME  
 CASE NO. 12839

0009736C BDIAGRAM, WRG, GAUGES/WRNG LIGHTS, CUMN B4/Q499999\$0000BAKF



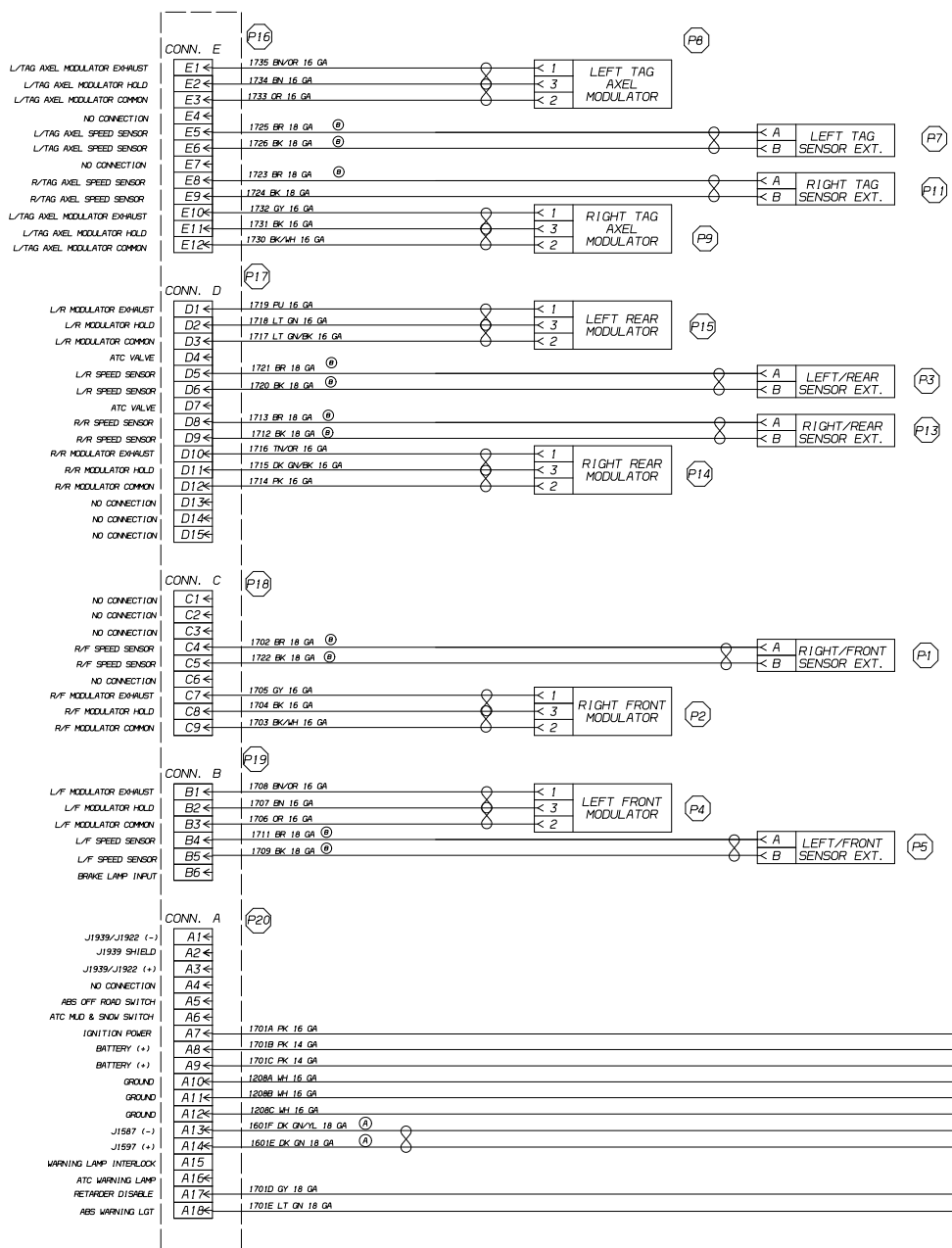
C	----	CORRECTED CUMMINS ABBREVIATION	BA	KF	9999
B	----	ADDED CKT FOR HYD OIL TEMP INDICATOR	RV	RV	12682E
A	----	ADD VOLTMETER AND DO NOT SHIFT	RV	RV	12535J
LET.	WAS	REVISIONS	DR.	APP.	CCN

CCN 12535G BLUE BIRD CORPORATION FORT VALLEY, GEORGIA, U.S.A. SCALE NONE

DIAGRAM, WRG, GAUGES/WRNG LIGHTS, CUMN(C)  
 B4/Q4

DR.	2/9/99	BY	RV	B 0009736	PAGE
APP.	3/2/99	BY	RV		OF

ABS ECU

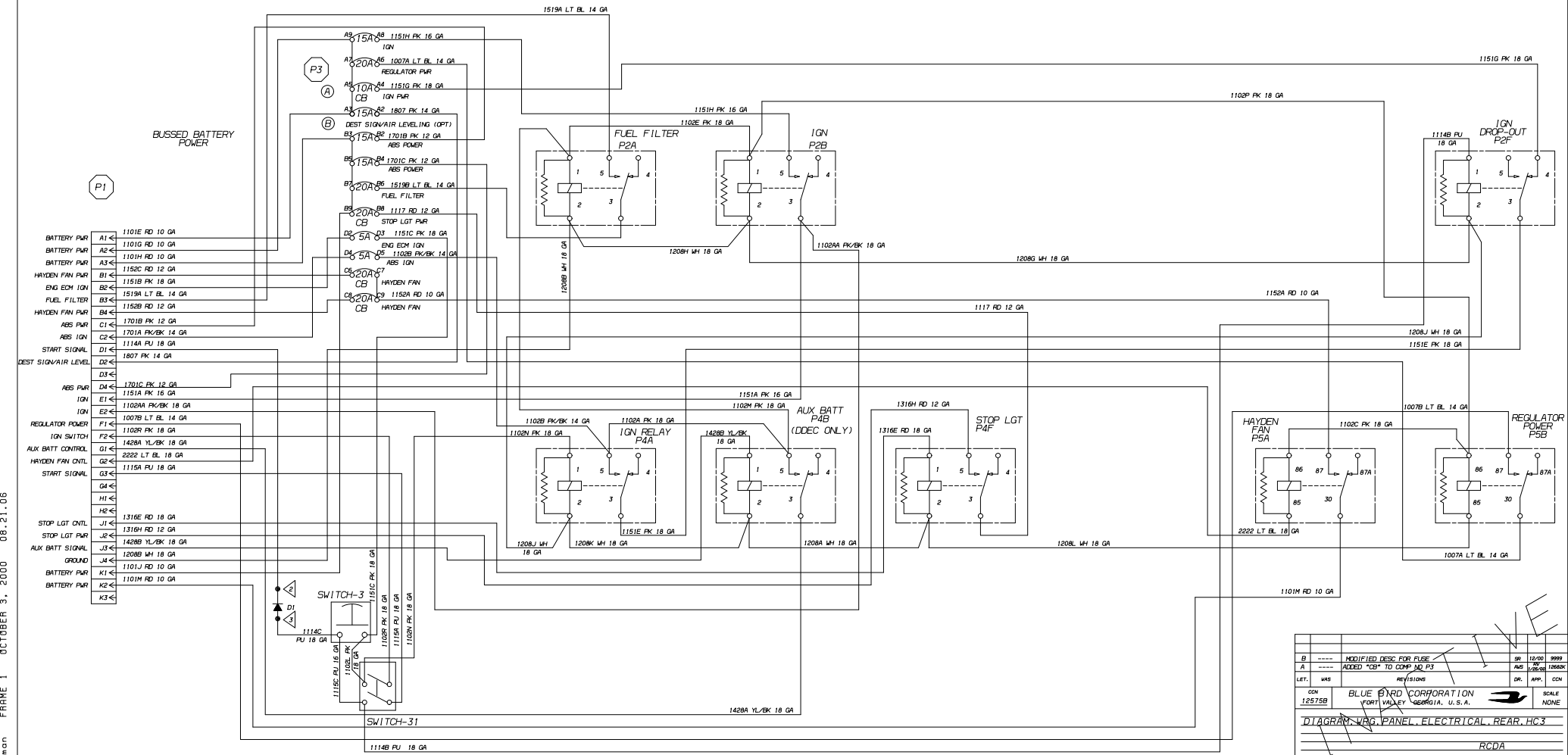


FRAME

- 1701A PK 16 GA >A> ABS IGN
- 1701E LT GN 18 GA >B> ABS WARNING LGT
- 1601F DK GN/YL 18 GA >C> J1587 (-)
- 1601E DK GN 18 GA >D> J1587 (+)
- 1701B PK 14 GA >E> ABS POWER
- 1701D GY 18 GA >F> RETARDER DISABLE
- 1701C PK 14 GA >G> ABS POWER

B	---	CHG DKT COLORS AS PER MANUFACTURER	SR	26	12839K
A	---	SWAPPED THE DOKTS	SR	26	1287MD
LET.	WAS	REVISIONS	DR.	APP.	CON.
CON	12575B	BLUE BIRD CORPORATION FORD VALLEY GEORGIA, U. S. A.			SCALE NONE
DIAGRAM, WRG, ABS, BENDIX, 6S6M					
PCDA					
INACTIVATES NOS.		1971001	DR.	10/1/99	BY AUS/SR
			APP.	12/2/99	BY S. RAYMOND
			D	0019730	PAGE -OF-

FEBRUARY 1, 2000 10.00.38



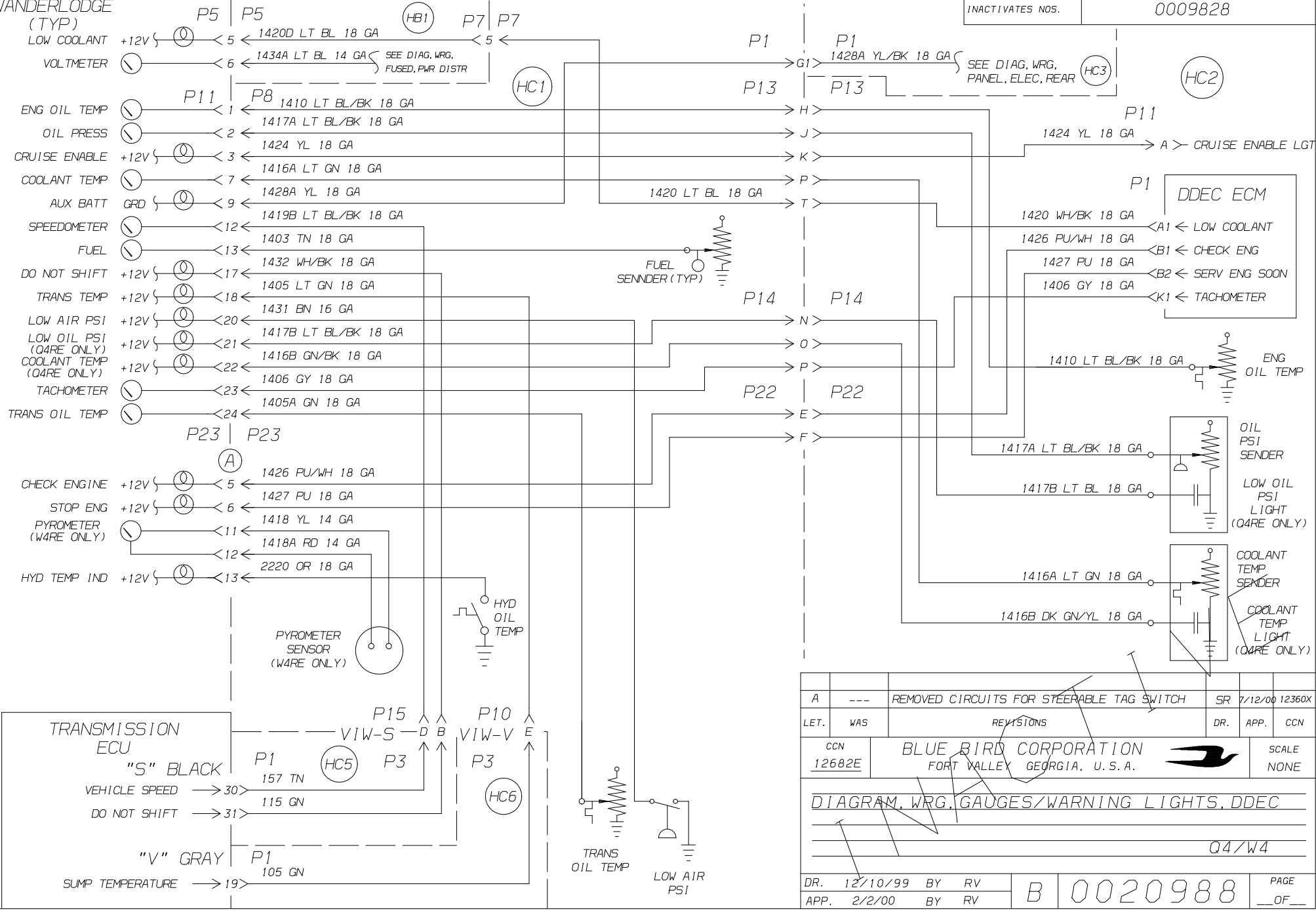
08.21.06  
OCTOBER 3, 2000

B	MODIFIED DESC FOR FUSE	DR	12/00	9999
A	ADDED "CB" TO COMP NO P3	APP	7/26/00	12839C
REV	DESCRIPTION	DR	APP	CDN
CON	BLUE BIRD CORPORATION FORT VALLEY, GEORGIA, U.S.A.	SCALE	NONE	
DIAGRAM WRG PANEL ELECTRICAL REAR HC3				
RCDA				
DR	9/23/99	BY	RV	PAGE
APP	11/29/99	BY	S. Rahman	OF
INACTIVATES NOS.	0011381	c 0019827		

0020988A BDIAGRAM, WRG, GAUGES/WARNING LIGHTS, DDEC Q4/W4 12360X\$00SR  
 REPLACED BY NRN 12839  
 SEPTEMBER 31, 2000  
 08/18/14

WANDERLODGE (TYP)

INACTIVATES NOS. 0009828



A	---	REMOVED CIRCUITS FOR STEERABLE TAG SWITCH	SR	7/12/00	12360X
LET.	WAS	REVISIONS	DR.	APP.	CCN
CCN	12682E	BLUE BIRD CORPORATION FORT VALLEY, GEORGIA, U.S.A.	SCALE NONE		
DIAGRAM, WRG, GAUGES/WARNING LIGHTS, DDEC					
Q4/W4					
DR.	12/10/99	BY	RV	B	0020988
APP.	2/2/00	BY	RV		
					PAGE OF

CHASSIS INTERFACE AT STEERING COLUMN

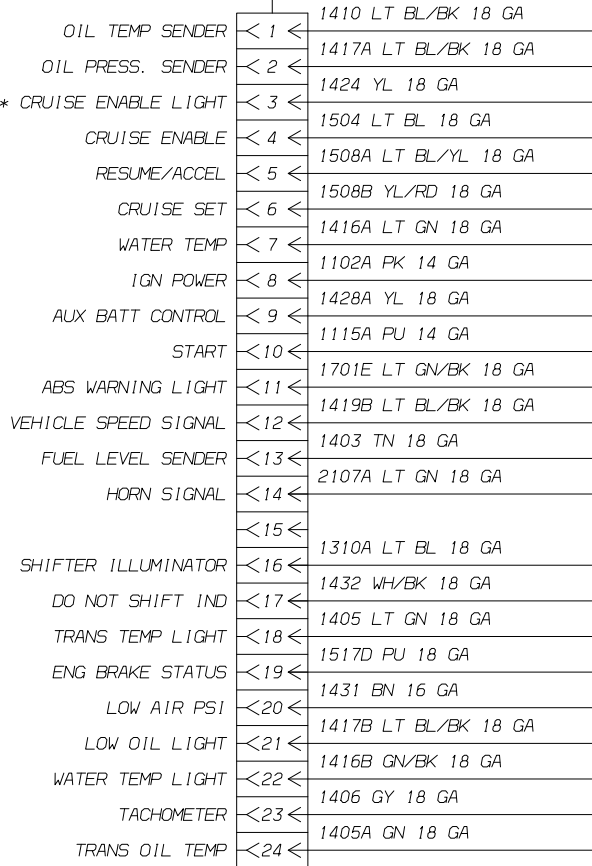
WANDERLODGE

P11

P8

HC1

(A) \*\* CRUISE ENABLE LIGHT



\* NOT AVAILABLE WITH CUMN/W4  
 \*\* ENGINE MAINT. LIGHT (CUMN/W4)

WANDERLODGE

P23

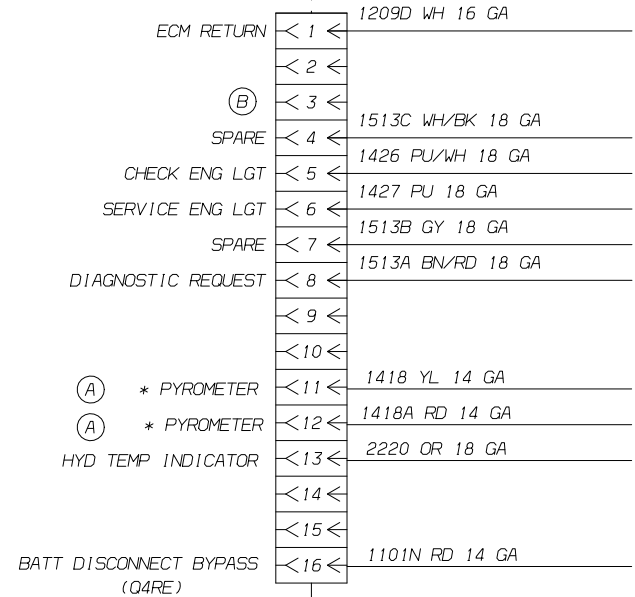
P23

HC1

(B) SPARE

(A) \* PYROMETER

(A) \* PYROMETER

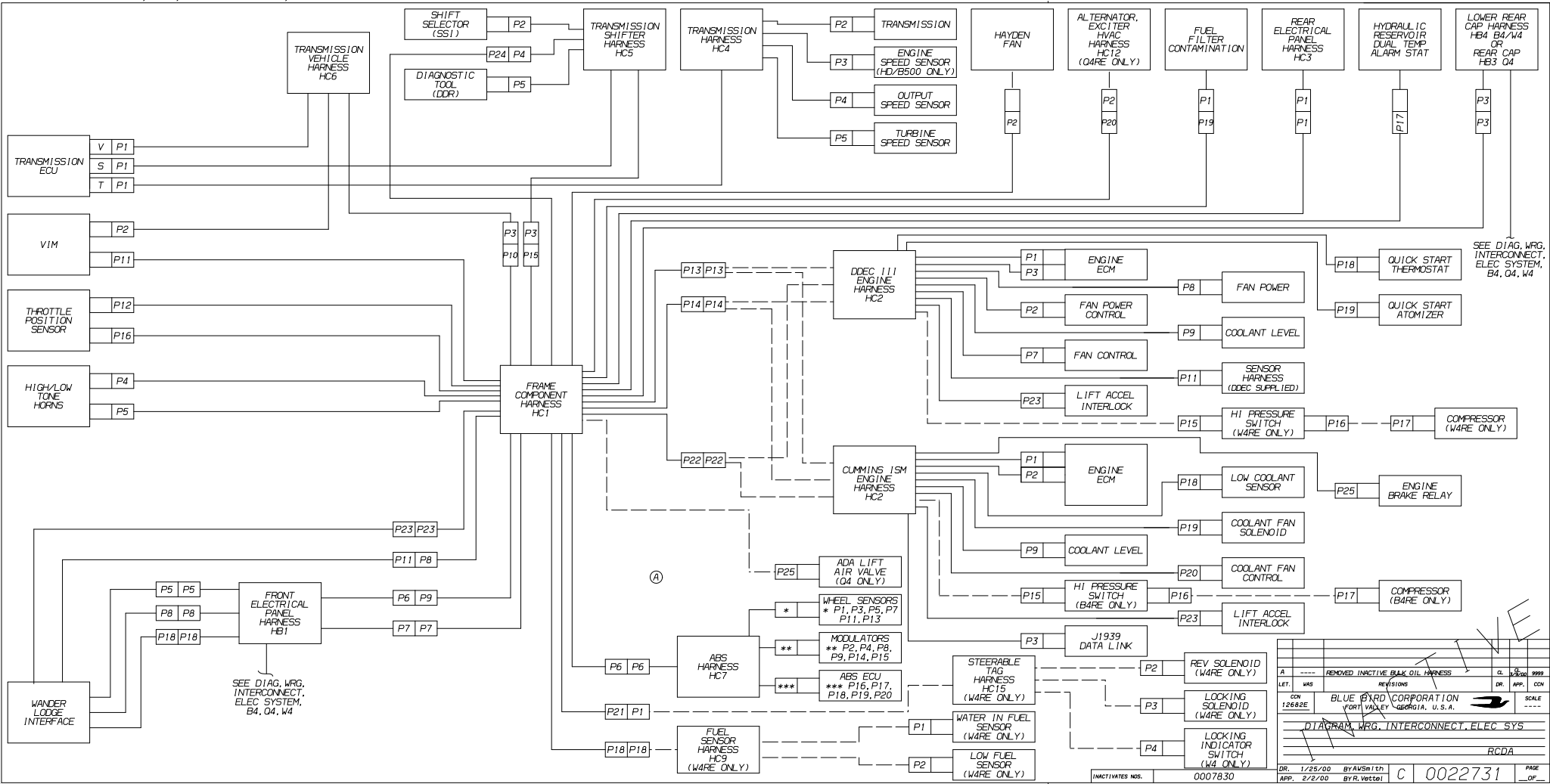


B	---	REMOVED CIRCUITS FOR STEERABLE TAG	SR	7/26/00	12360X
A	---	ADDED COMMENT	SR	6/29/00	12825B
LET.	WAS	REVISTONS	DR.	APP.	CCN
CCN	BLUE BIRD CORPORATION			SCALE	
12682E	FORT VALLEY GEORGIA, U. S. A.			NONE	
DIAGRAM, WRG, INTERFACE, WANDERLODGE					
RCDA					
DR.	12/10/99	BY	RV	B	0021235
APP.	2/2/00	BY	RV		OF

INACTIVE NOS: 1971860

003/1 FRAME 4/2002 RELEASED BY NRN 12839  
 08/24/08

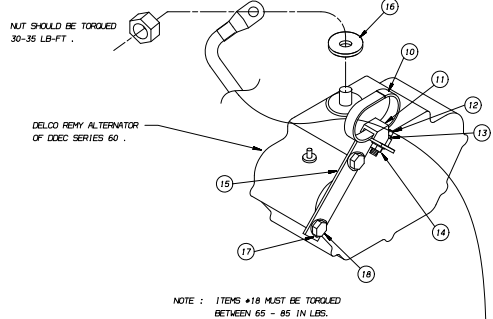
16.45.14.19  
 MARCH 9, 2000  
 FRAME 1  
 ce lee



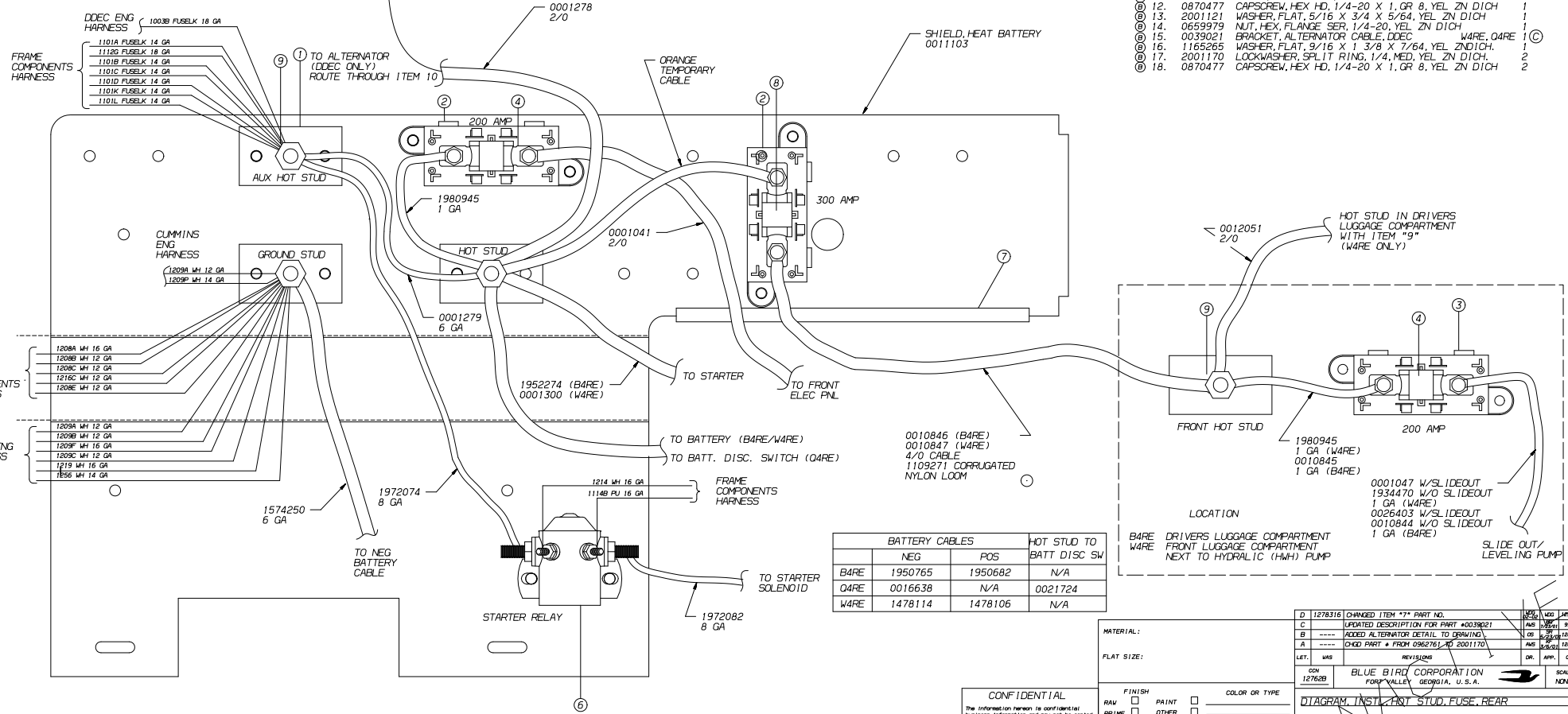
SEE DIAG. WRG. INTERCONNECT. ELEC SYSTEM, B4, O4, W4

SEE DIAG. WRG. INTERCONNECT. ELEC SYSTEM, B4, O4, W4

REV	DESCRIPTION	BY	DATE
A	REMOVED INACTIVE BLACK OIL HARNESS	DR.	02/00/9999
REV	REVISIONS	DR.	APP. CDW
CDW	BLUE BIRD CORPORATION FORT VALLEY, GEORGIA, U.S.A.	SCALE	----
DIAGRAM WRG. INTERCONNECT. ELEC SYS			
RCDA			
DR.	1/25/00	BY AVS/14th	C 0022731
APP.	2/2/00	BY R. Vetto1	PAGE
INACTIVATES NOS.			0007830



ITEM	PART NO.	DESCRIPTION	QTY
1.	0553131	TERMINAL, BAT CABLE JUNCTION	5
	0659979	NUT, HEX, FLANGE SER, 1/4-20	10
	2000826	SCREW, MACH, 1/4-20 X 3/4, PH1, TRUSSHD	10
	0882795	LOCKWASHER, SPLIT RING, 3/8, MED	5
	2001451	NUT, HEX HD, 3/8-16	5
2.	1864404	HOLDER, FUSE, MEGA	1
	0977132	CAPSCREW, HEX HD, 1/4-20 X 3/4	2
	1465947	NUT, HEX HD, 1/4-20, LK, NYLON INSERT	2
3.	1864404	HOLDER, FUSE, MEGA	2
	0666727	CAPSCREW, HEX HD, 1/4-28 X 5/8	2
	2001170	LOCKWASHER, SPLIT RING, 1/4	2
	2001402	NUT, HEX HD, 1/4-28	2
4.	1864362	FUSE, MEGA, 200 AMP	2
6.	0809103	SWITCH, MAGNETIC, STARTER	2
	2000057	CAPSCREW, HEX HD, 1/4-20 X 1, GR5	2
	2001253	NUT, HEX HD, 6-32	2
	2001170	LOCKWASHER, SPLIT RING, 1/4, MED, YEL ZN DICH	2
(D)	1489434	TRIM, VINYL, BLACK, DOUBLE LIP	9 INCH
	1864396	FUSE, MEGA, 300 AMP	1
	1053867	BOOT, TERMINAL, JULIAN ELECTRIC	2 (BARE) 3 (WARE)
(B)	0029998	TIE, CABLE, 250 LB	1
(B)	0024168	MOUNT, HEAVY DUTY, .25 HOLE SIZE	1
(B)	0870477	CAPSCREW, HEX HD, 1/4-20 X 1, GR 8, YEL ZN DICH	1
(B)	2001121	WASHER, FLAT, 5/16 X 3/4 X 5/64, YEL ZN DICH	1
(B)	0659979	NUT, HEX, FLANGE SER, 1/4-20, YEL ZN DICH	1
(B)	0039021	BRAKET, ALTERNATOR CABLE, DDEC	1 WARE, 04RE (C)
(B)	1165265	WASHER, FLAT, 9/16 X 1 3/8 X 7/64, YEL ZN DICH	1
(B)	2001170	LOCKWASHER, SPLIT RING, 1/4, MED, YEL ZN DICH	2
(B)	0870477	CAPSCREW, HEX HD, 1/4-20 X 1, GR 8, YEL ZN DICH	2



BATTERY CABLES		HOT STUD TO BATT. DISC SW
NEG	POS	
BARE	1950765	N/A
O4RE	0016638	N/A
WARE	1478114	1478106

MATERIAL:

FINISH: RAW  PAINT  COLOR OR TYPE

PRIME  OTHER

TOLERANCE ON ALL DIMENSIONS IS, PLUS  DO NOT SCALE OR MINUS  UNLESS OTHERWISE SPECIFIED.

INACTIVES NOS. 0011887

CONFIDENTIAL

The information herein is confidential business information and may not be copied or used for any purpose unless permission is expressly granted in writing by Blue Bird Body Company.

Copyright 2002 Blue Bird Body Company All Rights Reserved

D 1278316 CHANGED ITEM \*\* PART NO.

C --- UPDATED DESCRIPTION FOR PART 40028021

E --- ADDED ALTERNATOR DETAIL TO DRAWING.

A --- CHGD PART # FROM 0862761 TO 2001170

REV. DATE

CON 127628

BLUE BIRD CORPORATION  
FORD VALLEY, GEORGIA, U.S.A.

SCALE NONE

DIAGRAM, INSTL, INSTL, FUSE, REAR

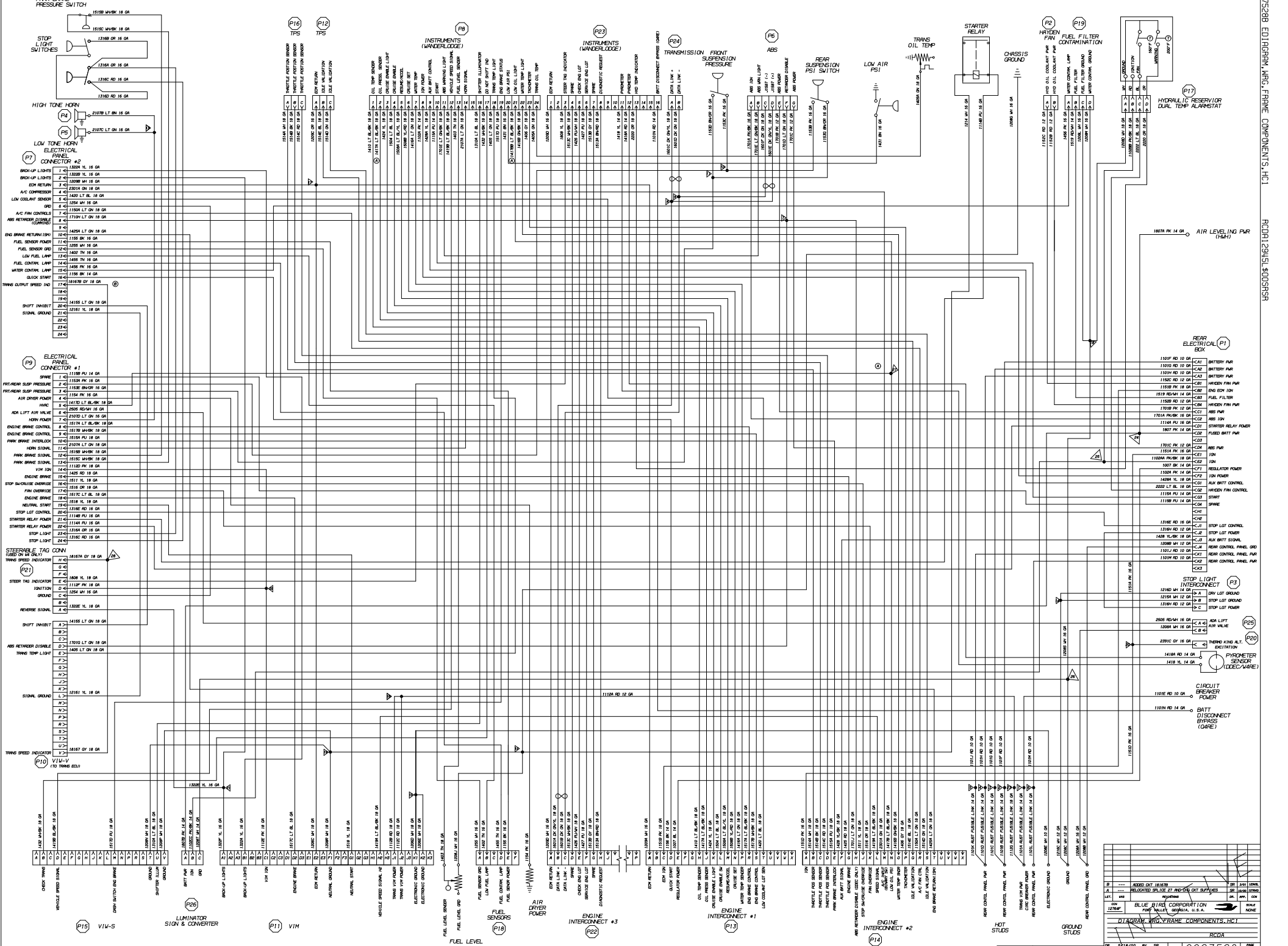
DR. 4/30/00 BY TH

APP. 4/30/00 BY TH

D 0026652

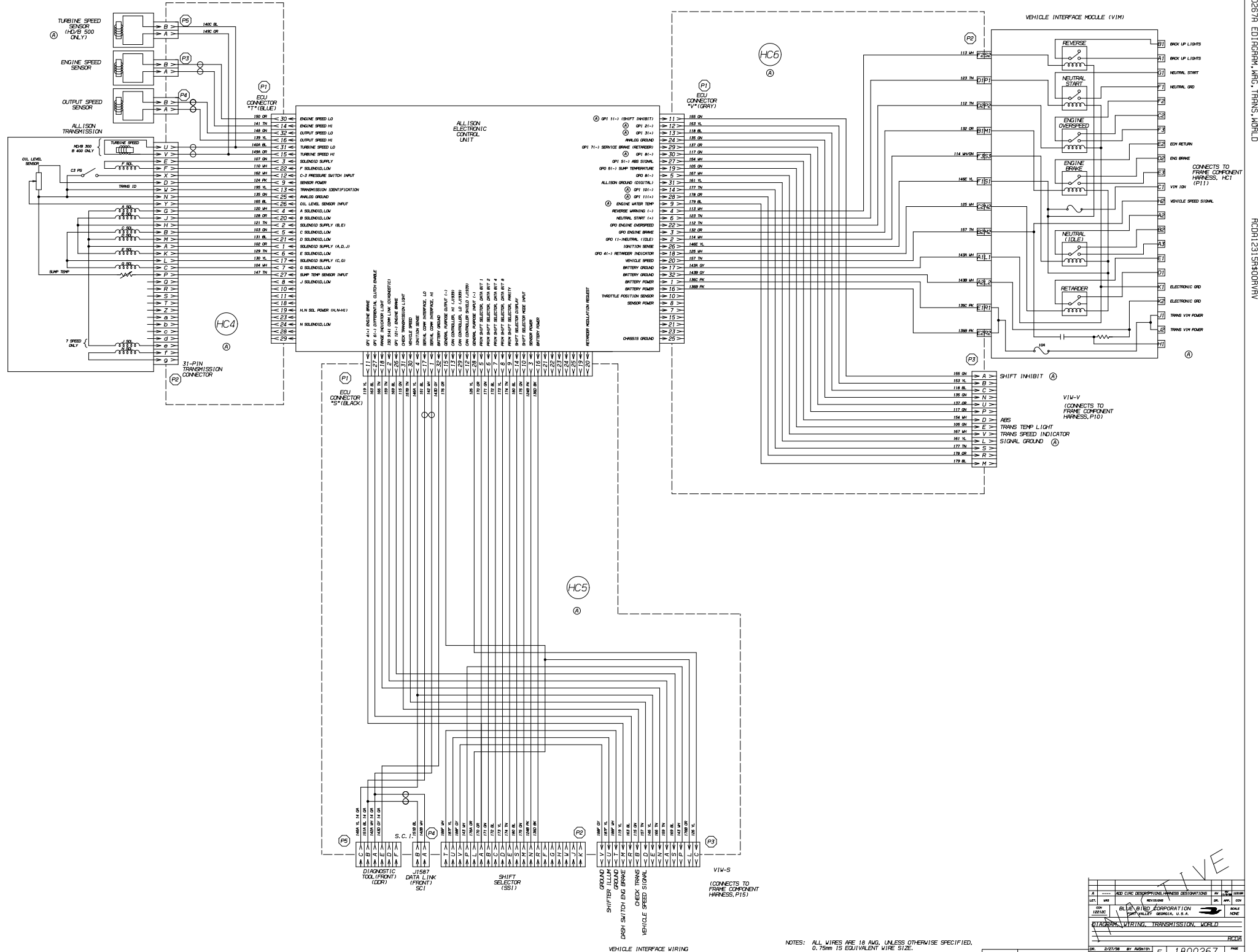
PAGE -OF-

18.02.36  
MARCH 27, 2002  
FRAME 1



WIRE	DESCRIPTION	WIRE GAUGE	WIRE COLOR
1	ADD TO WIRE		
2	REMOVE FROM WIRE		
3	REMOVE FROM WIRE		
4	REMOVE FROM WIRE		
5	REMOVE FROM WIRE		
6	REMOVE FROM WIRE		
7	REMOVE FROM WIRE		
8	REMOVE FROM WIRE		
9	REMOVE FROM WIRE		
10	REMOVE FROM WIRE		
11	REMOVE FROM WIRE		
12	REMOVE FROM WIRE		
13	REMOVE FROM WIRE		
14	REMOVE FROM WIRE		
15	REMOVE FROM WIRE		
16	REMOVE FROM WIRE		
17	REMOVE FROM WIRE		
18	REMOVE FROM WIRE		
19	REMOVE FROM WIRE		
20	REMOVE FROM WIRE		
21	REMOVE FROM WIRE		
22	REMOVE FROM WIRE		
23	REMOVE FROM WIRE		
24	REMOVE FROM WIRE		
25	REMOVE FROM WIRE		
26	REMOVE FROM WIRE		
27	REMOVE FROM WIRE		
28	REMOVE FROM WIRE		
29	REMOVE FROM WIRE		
30	REMOVE FROM WIRE		
31	REMOVE FROM WIRE		
32	REMOVE FROM WIRE		
33	REMOVE FROM WIRE		
34	REMOVE FROM WIRE		
35	REMOVE FROM WIRE		
36	REMOVE FROM WIRE		
37	REMOVE FROM WIRE		
38	REMOVE FROM WIRE		
39	REMOVE FROM WIRE		
40	REMOVE FROM WIRE		
41	REMOVE FROM WIRE		
42	REMOVE FROM WIRE		
43	REMOVE FROM WIRE		
44	REMOVE FROM WIRE		
45	REMOVE FROM WIRE		
46	REMOVE FROM WIRE		
47	REMOVE FROM WIRE		
48	REMOVE FROM WIRE		
49	REMOVE FROM WIRE		
50	REMOVE FROM WIRE		
51	REMOVE FROM WIRE		
52	REMOVE FROM WIRE		
53	REMOVE FROM WIRE		
54	REMOVE FROM WIRE		
55	REMOVE FROM WIRE		
56	REMOVE FROM WIRE		
57	REMOVE FROM WIRE		
58	REMOVE FROM WIRE		
59	REMOVE FROM WIRE		
60	REMOVE FROM WIRE		
61	REMOVE FROM WIRE		
62	REMOVE FROM WIRE		
63	REMOVE FROM WIRE		
64	REMOVE FROM WIRE		
65	REMOVE FROM WIRE		
66	REMOVE FROM WIRE		
67	REMOVE FROM WIRE		
68	REMOVE FROM WIRE		
69	REMOVE FROM WIRE		
70	REMOVE FROM WIRE		
71	REMOVE FROM WIRE		
72	REMOVE FROM WIRE		
73	REMOVE FROM WIRE		
74	REMOVE FROM WIRE		
75	REMOVE FROM WIRE		
76	REMOVE FROM WIRE		
77	REMOVE FROM WIRE		
78	REMOVE FROM WIRE		
79	REMOVE FROM WIRE		
80	REMOVE FROM WIRE		
81	REMOVE FROM WIRE		
82	REMOVE FROM WIRE		
83	REMOVE FROM WIRE		
84	REMOVE FROM WIRE		
85	REMOVE FROM WIRE		
86	REMOVE FROM WIRE		
87	REMOVE FROM WIRE		
88	REMOVE FROM WIRE		
89	REMOVE FROM WIRE		
90	REMOVE FROM WIRE		
91	REMOVE FROM WIRE		
92	REMOVE FROM WIRE		
93	REMOVE FROM WIRE		
94	REMOVE FROM WIRE		
95	REMOVE FROM WIRE		
96	REMOVE FROM WIRE		
97	REMOVE FROM WIRE		
98	REMOVE FROM WIRE		
99	REMOVE FROM WIRE		
100	REMOVE FROM WIRE		





REV	DESCRIPTION	DATE	BY	CHK
1	ADD CIRC DESCRIPTIONS, HARNESS DESIGNATIONS			
2	REVISED			
3	REVISED			
4	REVISED			
5	REVISED			
6	REVISED			
7	REVISED			
8	REVISED			
9	REVISED			
10	REVISED			
11	REVISED			
12	REVISED			
13	REVISED			
14	REVISED			
15	REVISED			
16	REVISED			
17	REVISED			
18	REVISED			
19	REVISED			
20	REVISED			
21	REVISED			
22	REVISED			
23	REVISED			
24	REVISED			
25	REVISED			
26	REVISED			
27	REVISED			
28	REVISED			
29	REVISED			
30	REVISED			
31	REVISED			
32	REVISED			
33	REVISED			
34	REVISED			
35	REVISED			
36	REVISED			
37	REVISED			
38	REVISED			
39	REVISED			
40	REVISED			
41	REVISED			
42	REVISED			
43	REVISED			
44	REVISED			
45	REVISED			
46	REVISED			
47	REVISED			
48	REVISED			
49	REVISED			
50	REVISED			
51	REVISED			
52	REVISED			
53	REVISED			
54	REVISED			
55	REVISED			
56	REVISED			
57	REVISED			
58	REVISED			
59	REVISED			
60	REVISED			
61	REVISED			
62	REVISED			
63	REVISED			
64	REVISED			
65	REVISED			
66	REVISED			
67	REVISED			
68	REVISED			
69	REVISED			
70	REVISED			
71	REVISED			
72	REVISED			
73	REVISED			
74	REVISED			
75	REVISED			
76	REVISED			
77	REVISED			
78	REVISED			
79	REVISED			
80	REVISED			
81	REVISED			
82	REVISED			
83	REVISED			
84	REVISED			
85	REVISED			
86	REVISED			
87	REVISED			
88	REVISED			
89	REVISED			
90	REVISED			
91	REVISED			
92	REVISED			
93	REVISED			
94	REVISED			
95	REVISED			
96	REVISED			
97	REVISED			
98	REVISED			
99	REVISED			
100	REVISED			

