

Chassis

030 Brakes, Air

RESERVOIR ASSY

DRAIN VALVES, AIR LANYARD

With: STD; FEATURE 40081-09

1

SYSTEM

CHARGING & AUXILLARY CIRCUITS

2

PARK BRAKE

3

PRIMARY BRAKES

REAR SERVICE

4

SECONDARY BRAKES

FRONT SERVICE

5

VALVE ASSY

AIR BRAKE INTERLOCK

6

QUICK RELEASE

7

WHEEL END COMPONENTS

FRONT, ALUMN WHEELS

8

REAR

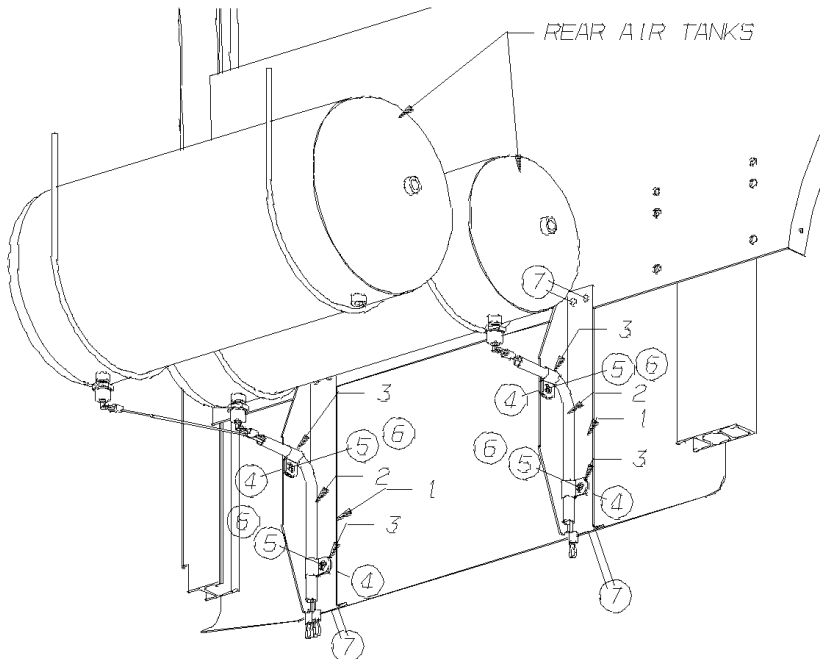
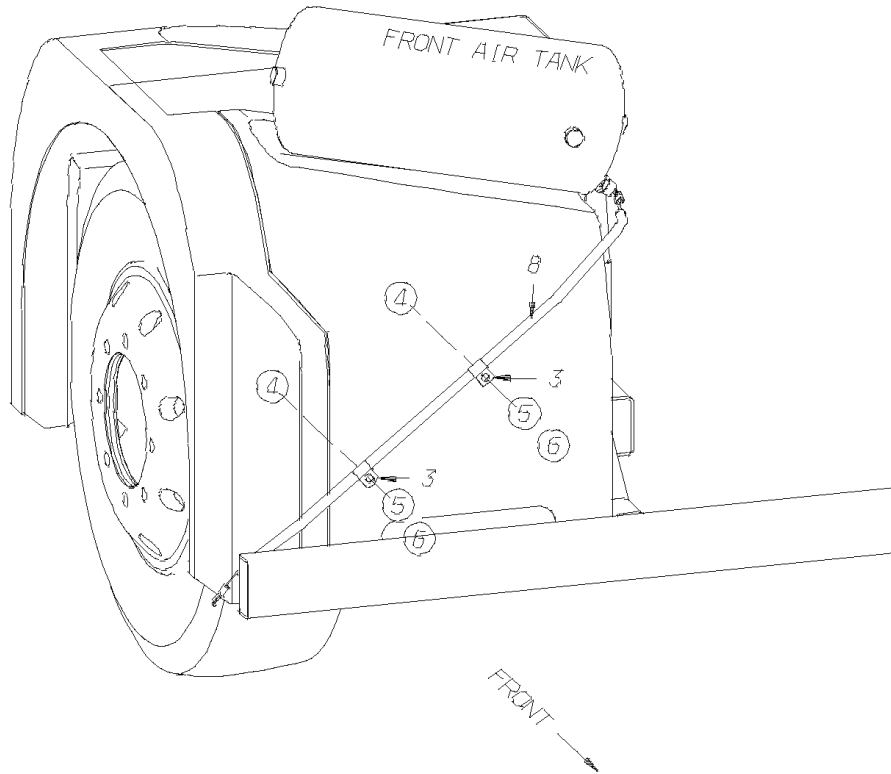
ALUMN WHEELS

From CSN 30095545

9

Models: L4RE
 RESERVOIR ASSY
 DRAIN VALVES, AIR LANYARD
 With: STD; FEATURE 40081-09

Key	PartNumber	Qty	Description	Comment
-----	------------	-----	-------------	---------



Models: L4RE
RESERVOIR ASSY
DRAIN VALVES, AIR LANYARD
With: STD; FEATURE 40081-09


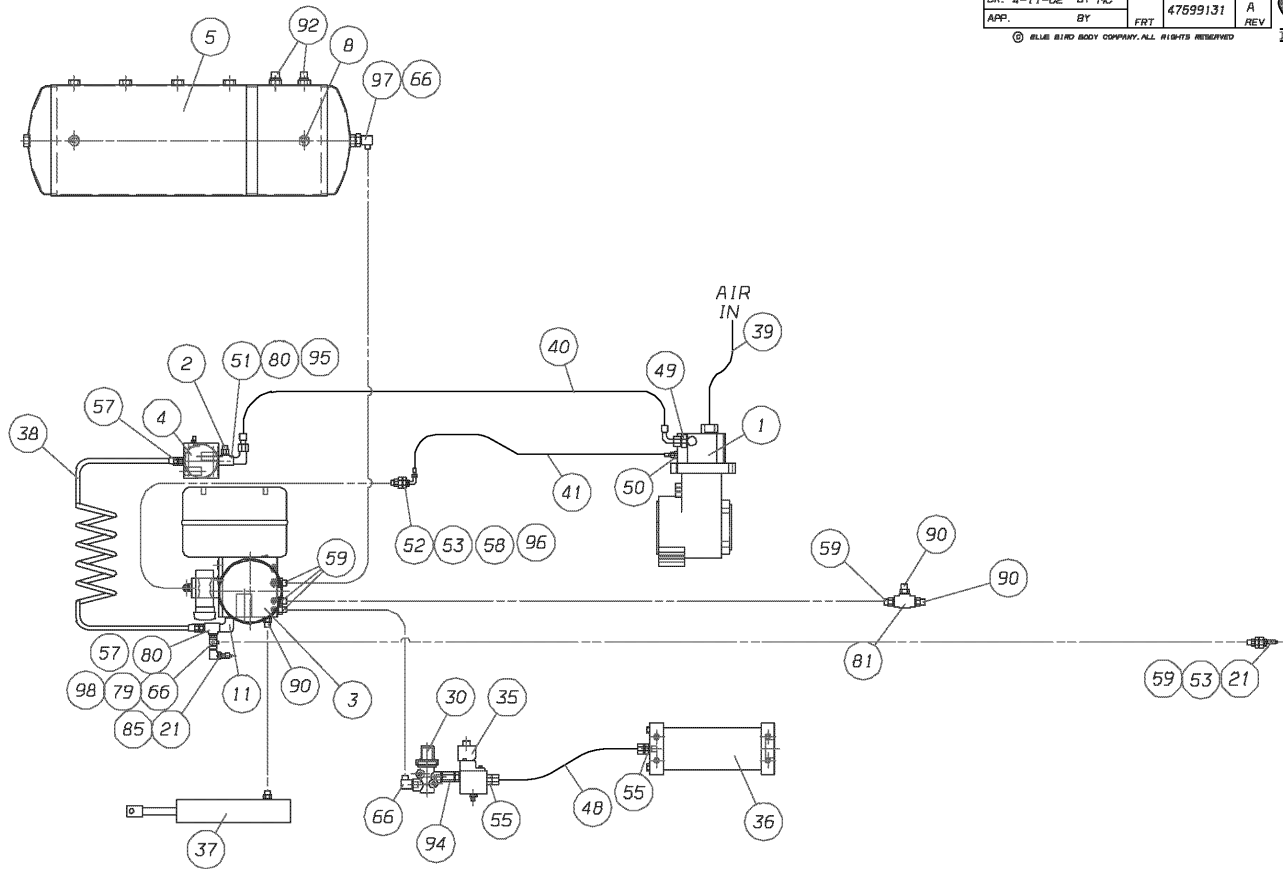
Key	PartNumber	Qty	Description	Comment
1	0065333	2	BRACKET,MTG,GUIDE,LANYARD,RR AIR TANKS	
2	0065335	2	TUBE,GUIDE,LANYARD,REAR AIR TANKS,L4RE	
3	0021926	6	CLAMP,LOOP,.625	
4	1667773	6	CAPSCREW,HEX HD,1/4-20X1 1/4,GR5,YEL	
5	1467000	6	WASHER,FLAT,.281 X.750X.078 HARDENED,BLK	
6	2001345	6	NUT,HEX HD,1/4-20,LOCKING,YELLOW	
7	4759304	8	FASTENER,HUCK,.25,MAGNA-BULB,MBP-R8-M8	
8	0065334	1	TUBE,GUIDE,LANYARD,FRONT AIR TANK,L4RE	
9	0022110	2	DECAL,RESERVOIR DRAIN CORD,Q4RE	
10	0839886	8	SLEEVE,COMPRESSION,3/16,THIN WALL	
11	0065463	4	CABLE,VALVE,DRAIN,LANYARD,50.00	

Models: **L4RE
SYSTEM
CHARGING & AUXILLARY CIRCUITS**

Key	PartNumber	Qty	Description	Comment
-----	------------	-----	-------------	---------

DR. 4-11-02	BY MC		47599131	A
APP.	BY	FRT		REV

© BLUE BIRD BODY COMPANY, ALL RIGHTS RESERVED

**Models: L4RE
SYSTEM
CHARGING & AUXILLARY CIRCUITS**

Key	PartNumber	Qty	Description	Comment
1		RE	AIR COMPRESSOR	<i>SUPPLIED BY CUMMINS</i>
2	4758512	1	SAFTY VALVE (250PSI)	
3	4755937	1	ADIS AIR DRYER MODULE	
4	6032239	1	TEE,UNION,0.50 FPT	
5	4755934	1	TANK AIR DUEL 9.50 OD	
8	4758514	3	DRAIN VALVE	
11	0001135	1	VALVE,SINGLE CHECK,1/2 PIPE,90 DEGREE	
21	4758527	2	TIRE VALVE	
30	4760133	1	VALVE PRESSURE PROTECTION	
35		RE	RETARDER SOLENOID	<i>SUPPLIED BY ALLISON</i>
36		RE	ACCUMULATOR	<i>SUPPLIED BY ALLISON</i>
37		RE	TENSIONER PNEUMATIC	<i>SUPPLIED BY CARRIER SUTRAK</i>
38	4760312	1	COIL COOLING COPPER 5/8	
39	4760313	1	HOSE HD3916 1"BORE 20"LG	
40	4760314	1	HOSE ASSY H24312 3/4BORE 33.5LG	
41	4760315	1	HOSE ASSY H56904 3/16BORE 30LG	
48	4760321	1	HOSE ASSY H33808 1/2BORE 19LG	
49	4760355	1	FITTING CONN MALE M27X3/4OD	
50	1955483	1	ADAPTER,O-RING,WEATHERHEAD,	
51	0969576	1	ADAPTER,849-FS-12X12,37 DEG,STL FLARE	
52	4760356	1	FITTING CONN ELBOW MALE 1/8 X 1/4	
53	4760357	7	FITTING BULKHEAD 1/4 NPT	
55	1451053	13	ADAPTER,FITTING,1390 X 8 WEATHERHEAD	

**Models: L4RE
SYSTEM
CHARGING & AUXILLARY CIRCUITS**

Key	PartNumber	Qty	Description	Comment
57	2023356	2	CONNECTOR,1/2 MPT X 5/8 TUBE	
58	0009922	11	CONNECTOR,MALE,1868X4X4-Z,.25MPT X .25T"	
59	0009924	24	CONNECTOR,MALE,1868X6-Z,.25MPT X .38T"	
66	0009914	16	ELBOW,90 DEG,MALE1869X6-Z,.25MPT X .38T"	
79	0654277	1	TEE,STREET,1/4 PIPE,3750X4	
80	0654350	2	TEE,1/2 PIPE,STREET	
81	4760369	4	FITTING EQUAL TEE 1/4 NPT	
85	4760371	2	FITTING STREET ELBOW 1/4 NPT	
87	2008274	2	ELBOW,STREET,90 DEG,1/2MPT X	
90	4760372	4	FITTING CONN MALE 8MM OD X 1/4 NPT	
92	4760373	11	FITTING PLUG SQUARE HD 6	
94	0766188	1	ADAPTER,3/8 FPT X 1/4 MPT	
95	1900752	1	ADAPTER,1/2 NPTM,3/4 NPTF	
96	2250363	10	BUSHING,HEX,BRASS,1/4 X 1/8	
97	2027134	24	BUSHING,PIPE,3/8 X 1/4,BRASS	
98	2027159	1	BUSHING,PIPE,1/2 X 1/4,BRASS	
11	4750585	15	** PART NOT FOUND **	

Models: L4RE
SYSTEM
PARK BRAKE


Key	PartNumber	Qty	Description	Comment
5	4755934	1	TANK AIR DUEL 9.50 OD	
6	4755940	1	TANK AIR FRONT SERVICE	
13	4758519	1	DASH CONTROL VALVE	
14	4760134	1	VALVE,BRAKE,DUAL,WITH BVA	
17	1220128	1	VALVE,SPRING BRAKE,RELAY,QR-1C	
18	0982918	2	INDICATOR,LOW PRESSURE,LP-3,30 PSI	
20	0654426	1	VALVE,SPRING BRAKE	
24		RE	ACTUATOR SPRING BRAKE	SUPPLIED BY MERITOR
28	4760131	1	VALVE PRESSUR REDUCING,KNEELING VALVES,	
29	4762438	1	VALVE,SOLENOID,ELECTRO-PNEUMATIC,24V"	
44	4760318	2	HOSE ASSY H33808 1/2BORE 14.75LG	
53	4760357	7	FITTING BULKHEAD 1/4 NPT	
54	4760358	3	FITTING HOSE CONN 3/8ABS X 1/4 NPT	
58	0009922	11	CONNECTOR,MALE,1868X4X4-Z,.25MPT X .25T"	
59	0009924	24	CONNECTOR,MALE,1868X6-Z,.25MPT X .38T"	
65	0009912	2	ELBOW,90 DEG,MALE1869X4X4-Z,.25MPT	
66	0009914	16	ELBOW,90 DEG,MALE1869X6-Z,.25MPT X .38T"	
67	1725837	10	ELBOW,PRESTOMATIC,SWIV,3/8T X	
78	4760368	1	FITTING CONN 45DEG SW ELBOW 1/4	
81	4760369	4	FITTING EQUAL TEE 1/4 NPT	
89	0009916	4	TEE,UNION,1864X6,3/8 TUBE"	
91	4759631	2	FITTING PLUG SQ.HD.4	
97	2027134	24	BUSHING,PIPE,3/8 X 1/4,BRASS	

Models: L4RE
SYSTEM
PARK BRAKE

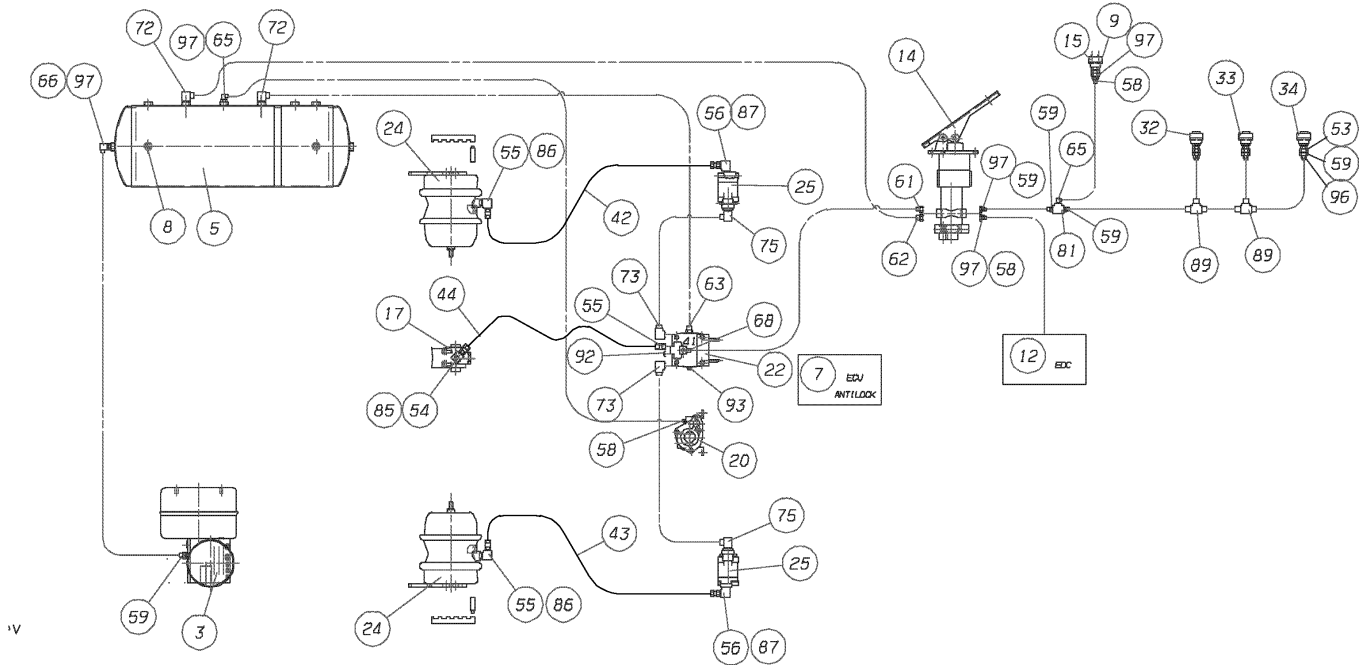
Key	PartNumber	Qty	Description	Comment
99	2023539	4	BUSHING,PIPE,1/2MPT X 3/8FPT,3220X8X6Z,	
10	1448208	2	ADAPTER,BRASS PIPE,1/8 MALE X 1/4 FEMALE	
11	4750585	15	** PART NOT FOUND **	
11	2001162	4	LOCKWASHER,SPLIT RING, 3/16,MED,YEL ZN	

Models: **L4RE
SYSTEM
PRIMARY BRAKES
REAR SERVICE**

Key	PartNumber	Qty	Description	Comment
-----	------------	-----	-------------	---------

DR. 4-11-02 BY MC	47599132	REV	
APP. BY FRT			

© BLUE BIRD BODY COMPANY. ALL RIGHTS RESERVED



1V

Models: L4RE
SYSTEM
PRIMARY BRAKES
REAR SERVICE

Key	PartNumber	Qty	Description	Comment
3	4755937	1	ADIS AIR DRYER MODULE	
5	4755934	1	TANK AIR DUEL 9.50 OD	
7	4758517	1	ANTI LOCK ECU EC 30	
8	4758514	3	DRAIN VALVE	
9	0758698	6	COUPLING,ANCHOR,B-W 217709 BENDIX	
12		RE	GUAGE & LOW PRESS IND	PART OF EDC
14	4760134	1	VALVE,BRAKE,DUAL,WITH BVA	
15	4758521	2	STOP LIGHT SWITCH	
17	1220128	1	VALVE,SPRING BRAKE,RELAY,QR-1C	
19	4758530	4	WHEEL SPEED SENSOR	ENDING WITH CSN 05-02-04
19	0018024	4	SENSOR,ABS,STRAIGHT,AIR,RCDA	BEGIN WITH CSN 05-03-04
20	0654426	1	VALVE,SPRING BRAKE	
22	1995851	1	VALVE,RELAY,R12 W/DOUBLE CHECK,ABS	
24		RE	ACTUATOR SPRING BRAKE	SUPPLIED BY MERITOR
25	0014460	4	MODULATOR,ABS,AIR BRAKE,BENDIX M-30	
26	4760300	4	BUSHING SPEED SENSOR	
32		RE	SWITCH PRESS RETARD 2PSI	SUPPLIED BY ALLISON
33		RE	SWITCH PRESS RETARD 4PSI	SUPPLIED BY ALLISON
34		RE	SWITCH PRESS RETARD 7PSI	SUPPLIED BY ALLISON
42	4760316	1	HOSE ASSY H33808 1/2BORE 23LG	
43	4760317	1	HOSE ASSY H33808 1/2BORE 26LG	
44	4760318	2	HOSE ASSY H33808 1/2BORE 14.75LG	
53	4760357	7	FITTING BULKHEAD 1/4 NPT	

Models: L4RE
SYSTEM
PRIMARY BRAKES
REAR SERVICE


Key	PartNumber	Qty	Description	Comment
54	4760358	3	FITTING HOSE CONN 3/8ABS X 1/4 NPT	
55	1451053	13	ADAPTER,FITTING,1390 X 8 WEATHERHEAD	
56	4760359	2	FITTING HOSE CONN 3/8ABS X 1/2 NPT	
58	0009922	11	CONNECTOR,MALE,1868X4X4-Z,.25MPT X .25T"	
59	0009924	24	CONNECTOR,MALE,1868X6-Z,.25MPT X .38T"	
61	0009921	6	CONNECTOR,MALE,1868X8-Z,.38MPT X .50T"	
62	0025651	2	CONNECTOR,MALE,1868X10X6-Z,.38 MPT X .63	
63	0009923	1	CONNECTOR,MALE,1868X10-Z,.50MPT X .63T	
65	0009912	2	ELBOW,90 DEG,MALE1869X4X4-Z,.25MPT	
66	0009914	16	ELBOW,90 DEG,MALE1869X6-Z,.25MPT X .38T"	
68	4760361	1	FITTING CONN ELBOW 1/2OD X 1/4 NPT	
72	4760363	2	FITTING CONN ELBOW 5/8OD X 3/8 NPT	
73	4760364	2	FITTING CONN SW ELBOW 5/8OD X 3/8 NPT	
75	4760365	2	FITTING CONN SW ELBOW 5/8OD X,1/2 NPT	
81	4760369	4	FITTING EQUAL TEE 1/4 NPT	
85	4760371	2	FITTING STREET ELBOW 1/4 NPT	
86	2027241	2	ELBOW,STREET,90 DEG,3/8MPT X	
87	2008274	2	ELBOW,STREET,90 DEG,1/2MPT X	
89	0009916	4	TEE,UNION,1864X6,3/8 TUBE"	
92	4760373	11	FITTING PLUG SQUARE HD 6	
93	4760374	5	FITTING PLUG SQUARE HD 8	
96	2250363	10	BUSHING,HEX,BRASS,1/4 X 1/8	
97	2027134	24	BUSHING,PIPE,3/8 X 1/4,BRASS	

Models: L4RE
SYSTEM
PRIMARY BRAKES
REAR SERVICE

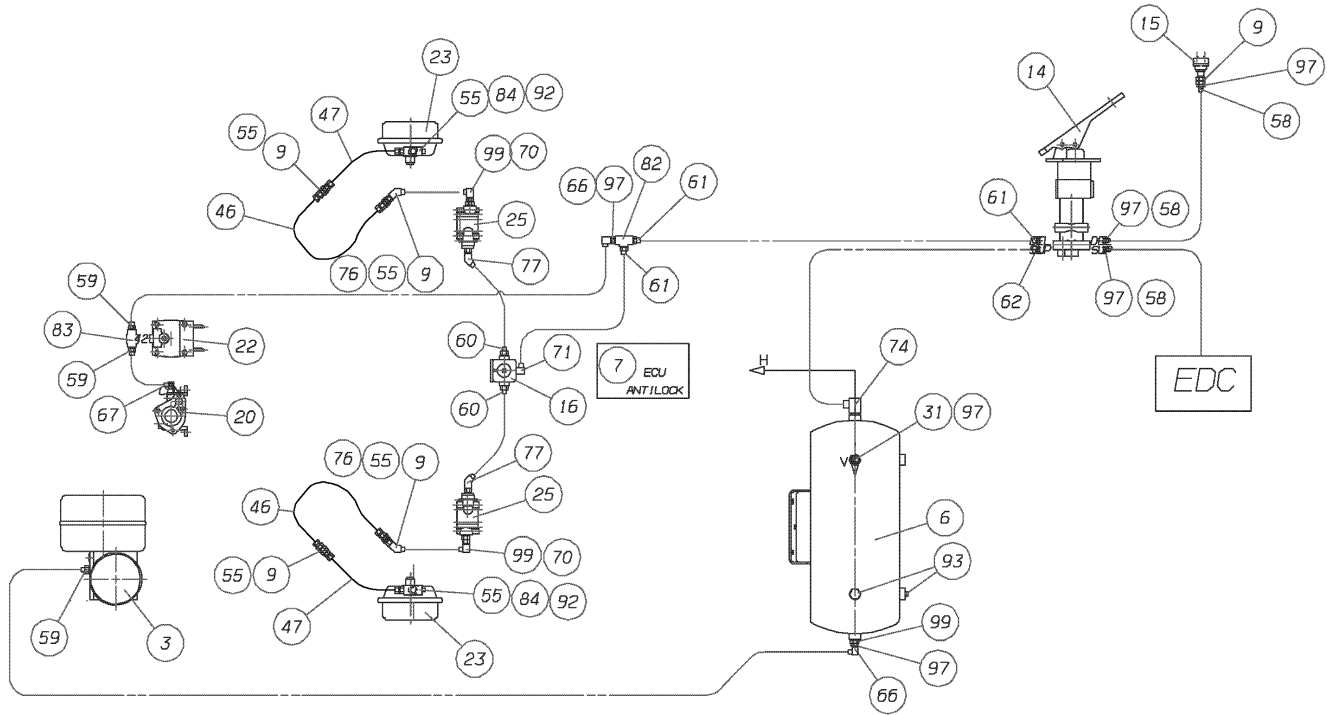
Key	PartNumber	Qty	Description	Comment
11	4750585	15	** PART NOT FOUND **	
11	0009913	2	ELBOW,90 DEG,MALE1869X4X6-Z,.38MPT	
11	2001162	4	LOCKWASHER,SPLIT RING, 3/16,MED,YEL ZN	
11	0065463	4	CABLE,VALVE,DRAIN,LANYARD,50.00	

Models: **L4RE
SYSTEM
SECONDARY BRAKES
FRONT SERVICE**

Key	PartNumber	Qty	Description	Comment
-----	------------	-----	-------------	---------

DR. 4-11-02	BY	47599133	REV	
APP:	BY	FRT	REV	

© BLUE BIRD BODY COMPANY. ALL RIGHTS RESERVED



Models: L4RE
SYSTEM
SECONDARY BRAKES
FRONT SERVICE

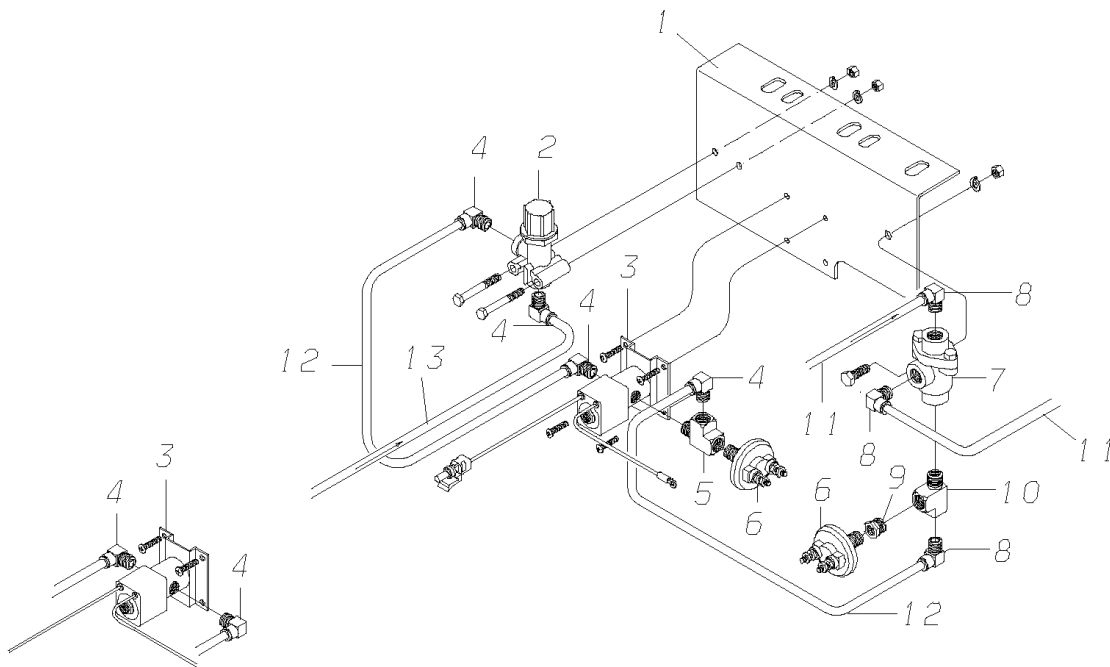
Key	PartNumber	Qty	Description	Comment
3	4755937	1	ADIS AIR DRYER MODULE	
6	4755940	1	TANK AIR FRONT SERVICE	
7	4758517	1	ANTI LOCK ECU EC 30	
9	0758698	6	COUPLING,ANCHOR,B-W 217709 BENDIX	
12		RE	GUAGE & LOW PRESS IND	PART OF EDC
14	4760134	1	VALVE,BRAKE,DUAL,WITH BVA	
15	4758521	2	STOP LIGHT SWITCH	
16	4758522	1	QUICK RELEASE VALVE QR 1/QR N	
19	4758530	4	WHEEL SPEED SENSOR	ENDING WITH CSN 05-02-04
19	0018024	4	SENSOR,ABS,STRAIGHT,AIR,RCDA	BEGIN WITH CSN 05-03-04
20	0654426	1	VALVE,SPRING BRAKE	
22	1995851	1	VALVE,RELAY,R12 W/DOUBLE CHECK,ABS	
23		RE	ACTUATOR SPRING BRAKE	SUPPLIED BY MERITOR
25	0014460	4	MODULATOR,ABS,AIR BRAKE,BENDIX M-30	ENDING WITH CSN 05-02-04
25	0060035	4	MODULATOR,ABS,AIR BRAKE,M32QR	BEGIN WITH CSN 05-03-04
26	4760300	4	BUSHING SPEED SENSOR	
46	4760319	2	HOSE ASSY H33808 1/2BORE 19.5LG	
47	4760320	2	HOSE ASSY H33808 1/2BORE 22LG	
55	1451053	13	ADAPTER,FITTING,1390 X 8 WEATHERHEAD	
58	0009922	11	CONNECTOR,MALE,1868X4X4-Z,.25MPT X .25T"	
59	0009924	24	CONNECTOR,MALE,1868X6-Z,.25MPT X .38T"	
60	4760360	2	FITTING CONN MALE 1/2OD X 1/4 NPT	
61	0009921	6	CONNECTOR,MALE,1868X8-Z,.38MPT X .50T"	

Models: L4RE
SYSTEM
SECONDARY BRAKES
FRONT SERVICE

Key	PartNumber	Qty	Description	Comment
62	0025651	2	CONNECTOR,MALE,1868X10X6-Z,.38 MPT X .63	
66	0009914	16	ELBOW,90 DEG,MALE1869X6-Z,.25MPT X .38T"	
67	1725837	10	ELBOW,PRESTOMATIC,SWIV,3/8T X	
70	1724707	4	ELBOW,PRESTOMATIC,SWIV,1/2T X	
71	4760362	3	FITTING CONN SW ELBOW 1/2OD X 1/2 NPT	
74	0009908	1	ELBOW,90 DEG,MALE1869X10-Z,.50MPT X .63T	
76	4760366	2	FITTING CONN 45DEG SW ELBOW 3/8	
77	4760367	2	FITTING CONN 45DEG SW ELBOW 1/2	
82	2027258	1	TEE,0.375FPT,BRASS	
83	0559047	1	TEE,MALE,BRANCH,1/4 PIPE,3600X4	
86	2027241	1	ELBOW,STREET,90 DEG,3/8MPT X	
92	4760373	11	FITTING PLUG SQUARE HD 6	
93	4760374	5	FITTING PLUG SQUARE HD 8	
97	2027134	24	BUSHING,PIPE,3/8 X 1/4,BRASS	
99	2023539	4	BUSHING,PIPE,1/2MPT X 3/8FPT,3220X8X6Z,	
11	4750585	15	** PART NOT FOUND **	
11	0009913	2	ELBOW,90 DEG,MALE1869X4X6-Z,.38MPT	
11	2001162	4	LOCKWASHER,SPLIT RING, 3/16,MED,YEL ZN	
11	0065463	4	CABLE,VALVE,DRAIN,LANYARD,50.00	

Models: L4RE
 VALVE ASSY
 AIR BRAKE INTERLOCK

Key	PartNumber	Qty	Description	Comment
-----	------------	-----	-------------	---------

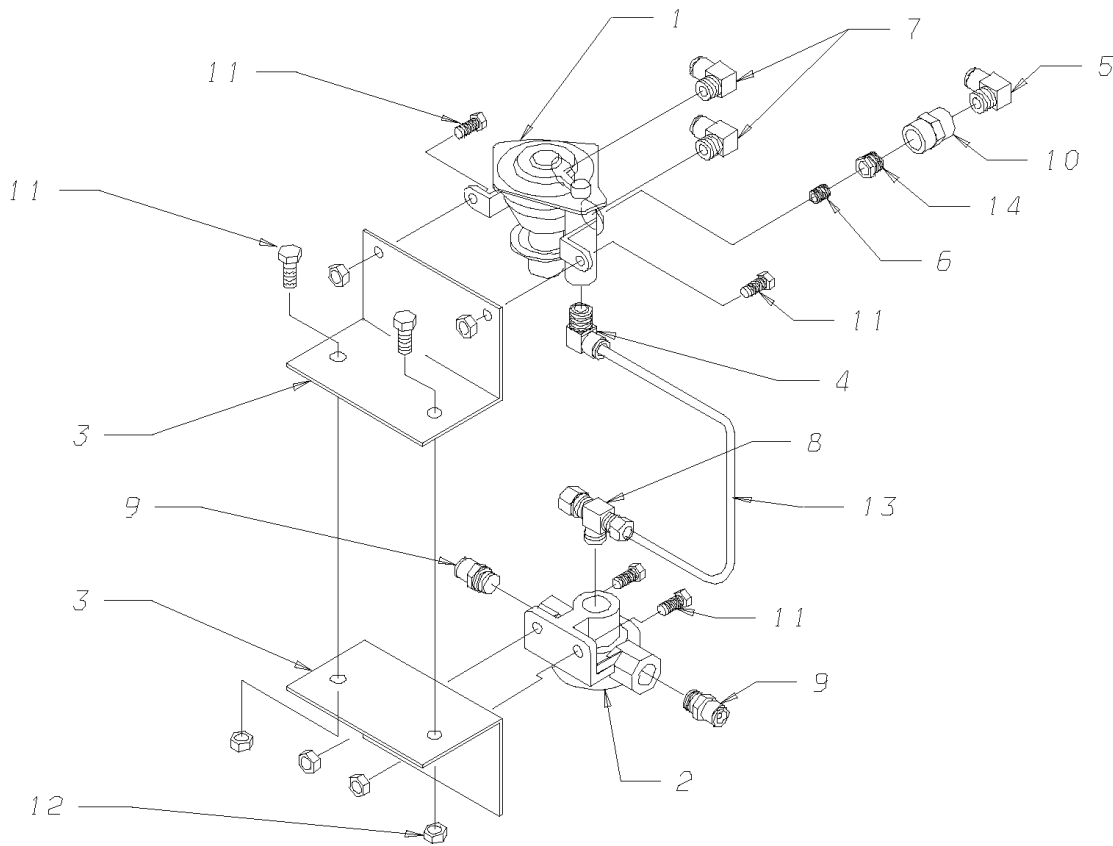


Models: L4RE
 VALVE ASSY
 AIR BRAKE INTERLOCK

Key	PartNumber	Qty	Description	Comment
1	1530047	1	BRACKET,MTG,BRAKE INTERLOCK	
2	1102938	1	VALVE,PRESS REDU,RV-1,40 PSI,BW279926	
	1092337	2	CAPSCREW,HEX HD,1/4-20 X 2,GR 5,YEL ZN	
	2001170	2	LOCKWASHER,SPLIT RING, 1/4 ,MED,YEL ZN	
	2001337	2	NUT,HEX HD,1/4-20,ZINC	
3	1471648	1	VALVE ASSY,SOLENOID,NC,ALLEN AIR	
3	1686807	1	VALVE ASSY,SOLENOID,NC ALLEN AIR	
	2000768	4	SCREW,MACH,10-24 X 1, PH1,RD HD,YEL ZN	
	2001162	4	LOCKWASHER,SPLIT RING, 3/16,MED,YEL ZN	
	2001279	4	NUT,HEX HD,10-24,YEL ZN DICH"	
4	0009914	4	ELBOW,90 DEG,MALE1869X6-Z,.25MPT X .38T"	
5	0654277	1	TEE,STREET,1/4 PIPE,3750X4	
6	1940873	2	SWITCH ASSY,STOPLIGHT PRESSURE	
7	0654434	1	VALVE,DOUBLE CHECK,3/8 PIPE	
	0654459	1	CAPSCREW,HEX HD,5/16-18X7/8,GR5,YEL ZN	
	2001188	1	LOCKWASHER,SPLIT RING, 5/16,MED,YEL ZN	
	1142603	1	NUT,HEX HD,5/16-18,GR 8,YELLOW	
8	0009911	3	ELBOW,90 DEG,MALE1869X6X6-Z,.38MPT	
9	2027134	1	BUSHING,PIPE,3/8 X 1/4,BRASS	
10	1010065	1	TEE,STREET,3/8 PIPE 3750 X 6	
11	0989319		TUBING,PLASTIC,3/8 OD,BLACK,SAE J844 TYPE	
12	1346857	23	TUBING,PLASTIC,3/8 OD,BLUE,SAE J844 TYPE B	
13	1220037		TUBING,PLASTIC,3/8 OD,RED,SAE J844 TYPE B	

**Models: L4RE
VALVE ASSY
QUICK RELEASE**

Key	PartNumber	Qty	Description	Comment
-----	------------	-----	-------------	---------



**Models: L4RE
VALVE ASSY
QUICK RELEASE**


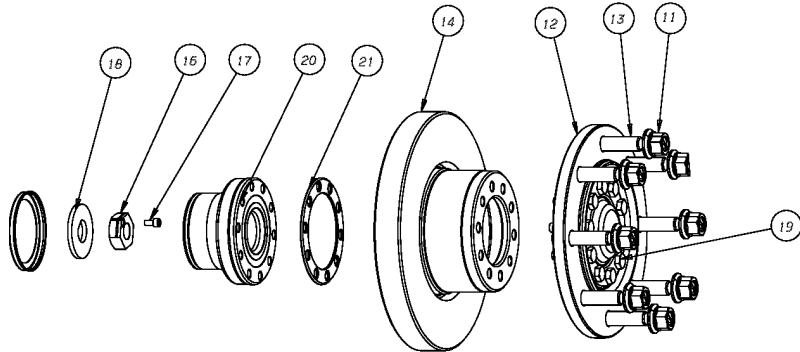
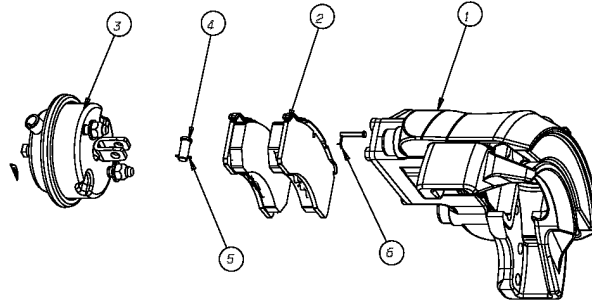
Key	PartNumber	Qty	Description	Comment
1	0654426	1	VALVE,SPRING BRAKE	
2	1940865	1	VALVE,QUICK RELEASE,3/8" INLET PORT	
3	1501089	2	BRACKET,FRONT BRAKE RELAY,TCRE	
4	0009914	1	ELBOW,90 DEG,MALE1869X6-Z,.25MPT X .38T"	
5	0009906	1	ELBOW,90 DEG,MALE1869X8-Z,.38MPT X .50T	
6	2027183	1	NIPPLE,1/4 CLOSE,BRASS	
7	0009912	2	ELBOW,90 DEG,MALE1869X4X4-Z,.25MPT	
8	1344035	1	TEE,MALE,	
9	0009921	2	CONNECTOR,MALE,1868X8-Z,.38MPT X .50T"	
10	1002898	1	COUPLING,3/8 X 3/8 PIPE	
11	1884378	6	CAPSCREW,HEX FLG,5/16-18X7/8,GR5,BLK ZN	
12	0829390	6	NUT,HEX HD,5/16-18,SER WASHER,YEL ZN	
13	1346857	18	TUBING,PLASTIC,3/8 OD,BLUE,SAE J844 TYPE B	
14	2027134	1	BUSHING,PIPE,3/8 X 1/4,BRASS	

Models: **L4RE**
WHEEL END COMPONENTS
FRONT, ALUMN WHEELS

Key	PartNumber	Qty	Description	Comment
-----	------------	-----	-------------	---------

DR. 4-10-03	BY MFR	0056692	REV
APP.	BY TL	FRT	REV

© BLUE BIRD BODY COMPANY. ALL RIGHTS RESERVED

Models: L4RE
WHEEL END COMPONENTS
FRONT, ALUMN WHEELS

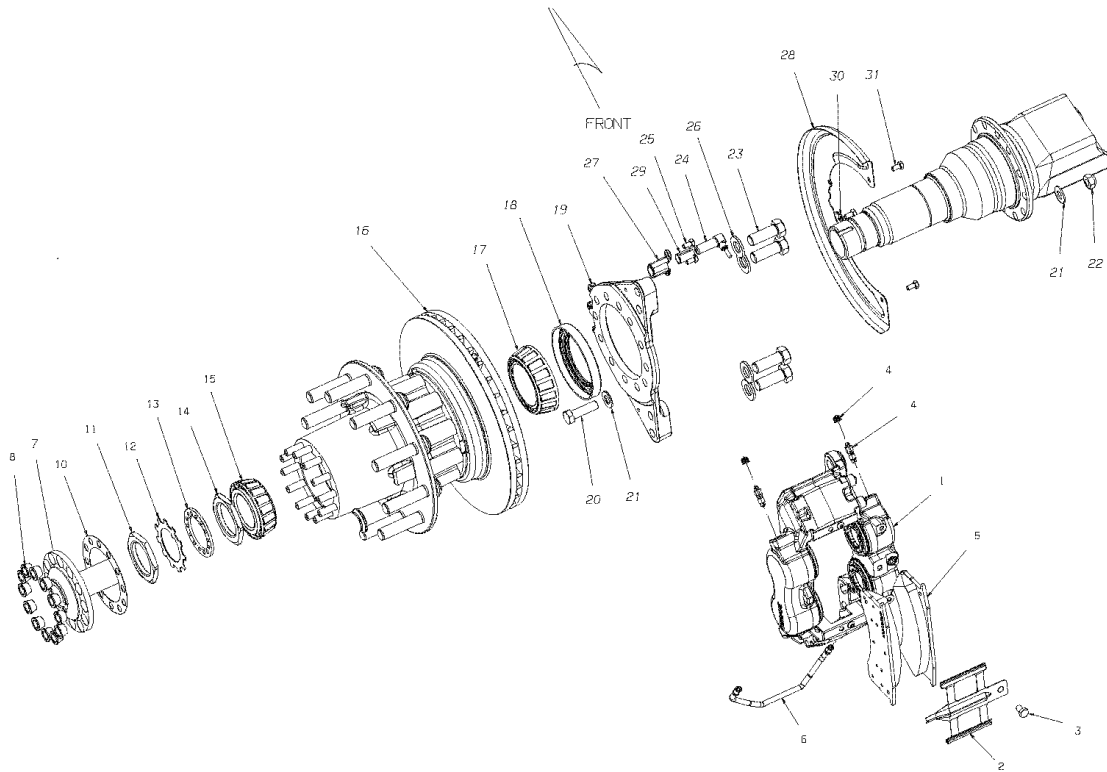
Key	PartNumber	Qty	Description	Comment
1	0062820	1	CALIPER,LH,FRONT,RH REAR	
1	0062821	1	CALIPER,RH,FRONT,LH REAR	
NI	0063534	1	KIT,PLUG,DX195	
2	0062322	1	KIT,BRAKE,PAD,DX195,MERITOR,(ONE AXLE)	ONE AXLE
3	0065277	2	BRAKE,CHAMBER,FRONT,DX195,T20	
4			KIT, PIN, CLEVIS	
5			KIT, COTTER PIN	
NI	0065289	2	KIT,PIN,CLEVIS,DX195	4, 5
6	0065290	2	PIN,COTTER,DX195	
7	0065291	4	SCREW,SOCKET HD,STEERING KNUCKLE	
8	0065292	4	CAPSCREW,HEX HD,STEERING KNUCKLE	
9	0065293	16	CAPSCREW,HEX HD,CONTROL ARM	
10	0065294	10	CAPSCREW,HEX HD,AIRBAG SUPPORT BRACKET	
11	0072937	16	NUT,LUG,TWO PIECE,M22X1.5 GH THREADS	
12	0065279	2	ADAPTER,WHEEL,FRONT,IFS	
13	0065280	16	STUD,WHEEL,FRONT,DX195	
14	0065276	2	ROTOR,FRONT,DX195	
15	0065308	1	STEERING KNUCKLE,LH,IFS	
15	0065309	1	STEERING KNUCKLE,RH,IFS	
16	0065281	2	NUT,SPINDLE,DX195	
17	0065282	2	SCREW,SOCKET HD,DX195	
18	0065283	2	WASHER,SAFETY,DX195	
19	0065284	20	CAPSCREW,HEX HD,DX195	

**Models: L4RE
WHEEL END COMPONENTS
FRONT, ALUMN WHEELS**

Key	PartNumber	Qty	Description	Comment
20	0065285	2	HUB,BEARING,FRONT,DX195	
21	0065286	2	SPACER,HUB,FRONT,DX195	
NI	0063543		SENSOR,ABS,DX195,ROUND PLUG	
NI	0066154		BUSHING,SENSOR,ABS,IFS	

Models: L4RE
 WHEEL END COMPONENTS
 REAR
 ALUMN WHEELS
 BSN: From CSN 30095545

Key	PartNumber	Qty	Description	Comment
-----	------------	-----	-------------	---------



Models: L4RE
WHEEL END COMPONENTS
REAR
ALUMN WHEELS
BSN: From CSN 30095545

Key	PartNumber	Qty	Description	Comment
1	0062820		CALIPER,LH,FRONT,RH REAR	
1	0062821		CALIPER,RH,FRONT,LH REAR	
NI	0089889		CHAMBER,BRAKE,DRIVE,RH/LH,24/24,L4RE,	
2			KIT, SPRING, RETENTION	
3			KIT, PIN, SPRING, RETENTION	
4	0063534		KIT,PLUG,DX195	
NI			COTTER PIN	
5	0062322		KIT,BRAKE,PAD,DX195,MERITOR,(ONE AXLE)	ONE AXLE
NI	2594893	8	NUT,AXLE SHAFT	
NI	2603512	8	WASHER,AXLE SHAFT	
7	0051970		SHAFT,AXLE,LH,L4RE	
7	0051971		SHAFT,AXLE,RH,L4RE	
8	0929091	8	DOWEL,AXLE SHAFT	
10	0043449	2	GASKET	
11	2598613	2	NUT,WHEEL,BEARING,JAM,REAR AXLE	
12	0048533	2	WASHER,LOCK,SPINDLE	
13	2647230	2	** PART NOT FOUND **	
14	0043475	2	NUT,WHEEL,BEARING,ADJUSTING,REAR AXLE	
15	0929059		BEARING,OUTER,AXLE SHAFT,ROCKWELL &	
16			HUB AND ROTOR ASSY	
NI	0067273		HUB & CUP ASSY,REAR,L4RE	
NI	2621779	1	CUP,WHEEL BEARING,REAR INNER,R-155,592A	
NI	2621571	1	CUP,OUTER WHEEL BEARING	

Models: L4RE
WHEEL END COMPONENTS
REAR
ALUMN WHEELS
BSN: From CSN 30095545

Key	PartNumber	Qty	Description	Comment
NI	0062329	8	STUD,WHEEL,DX195,MERITOR	
NI	0072937	8	NUT,LUG,TWO PIECE,M22X1.5 GH THREADS	
NI	0062331	8	STUD,DRIVE,DX195,MERITOR	
NI	0067274	1	ROTOR,REAR,L4RE	
NI	0062326	6	CAPSCREW,ROTOR,DX195,MERITOR	
17	0929042		BEARING,INNER,REAR AXLE	
18	0929067		SEAL,INNER,REAR AXLE OIL,LUBRICATED	
19			PLATE, TORQUE	
20			CAPSCREW, HEX HD	
21			WASHER, FLAT	
22			NUT, HEX HEAD	
23			CAPSCREW, HEX HD	
26			WASHER, FLAT	
24	0063543		SENSOR,ABS,DX195,ROUND PLUG	
24	1990324		SENSOR,ABS,STRAIGHT,AIR,SQUARE PLUG	
25			CAPSCREW, BRACKET, ABS MOUNTING	
NI	0043313		BUSHING,ABS,STEER KNUCKLE	
27			BRACKET, ABS MOUNTING	
28			DUSTSHIELD	
29	1542471		SLEEVE,CLAMP,NOTCHED,HUB SENSOR,ABS	
30			CAPSCREW, CLIP	
31			CAPSCREW, DUSTSHIELD	