

**Chassis**

**040 Cooling**

ENGINE

CUMMINS 5.9 BG CNG  
AIR INTAKE

---

CUMMINS 5.9 ISB 1

*With: FEATURE 40179-01, -02 WITH 40423-01, -02, 40434-01* 2

---

*With: FEATURE 40179-01, -02 WITH 40423-01, -02, 40434-01* 3

---

*With: FEATURE 40179-01, -02 WITH 40423-01, -02, 40434-01* 4

---

*With: FEATURE 40179-01, -02 WITH 40423-01, -02, 40434-01* 5

---

*With: FEATURE 40179-01, -02 WITH 40423-01, -02, 40434-01* 6

---

*With: FEATURE 40179-01, -02 WITH 40423-01, -02, 40434-01* 7

---

*With: FEATURE 40179-01, -02 WITH 40423-01, -02, 40434-01* 8

---

*With: FEATURE 40179-01, -02 WITH 40423-01, -02, 40434-01* 9

---

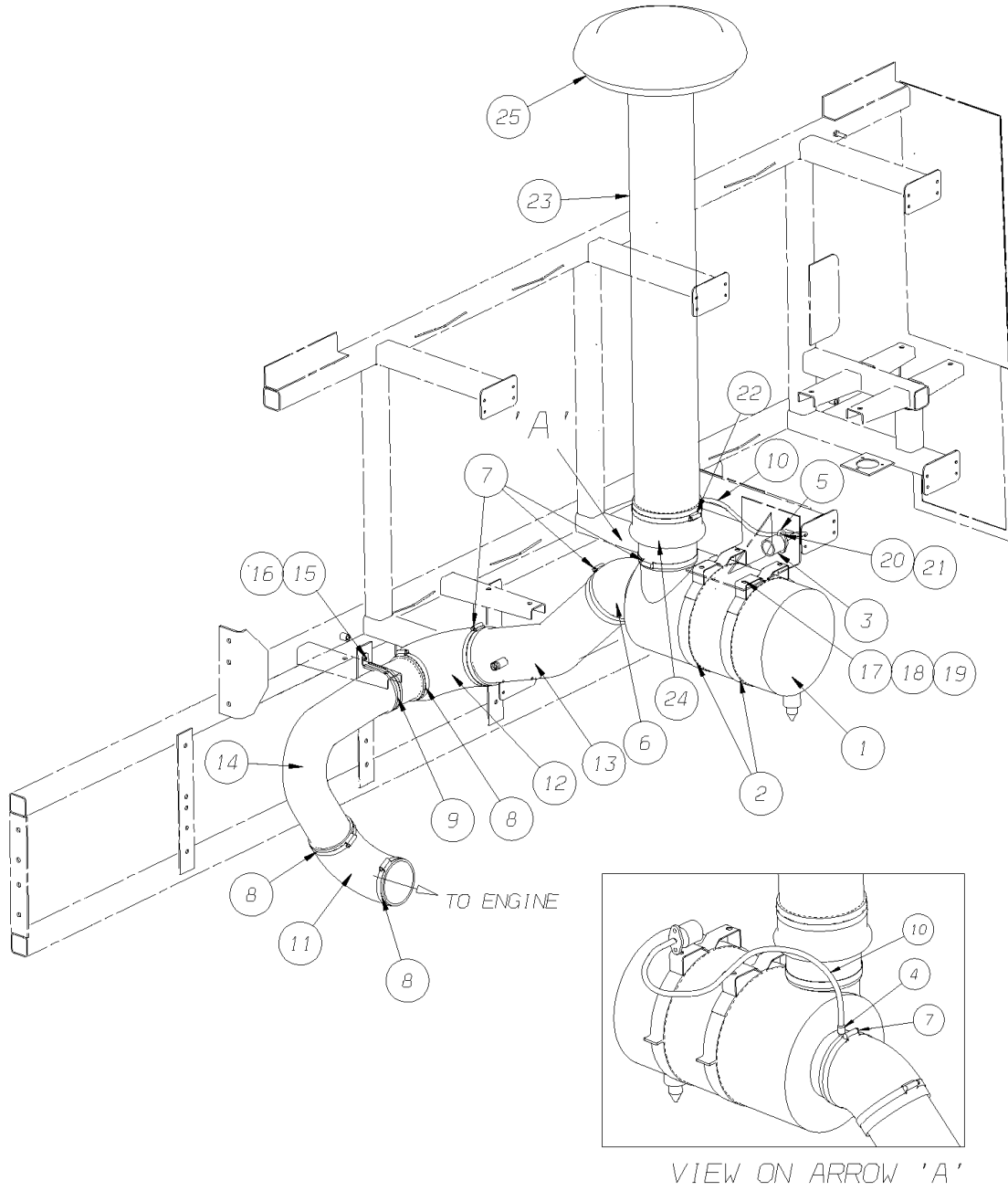
COOLING PACK, BREAKDOWN 10

*With: FEATURE 40179-01, -02 WITH 40423-01, -02, 40434-01* 10

---

Models: **L4RE  
ENGINE  
CUMMINS 5.9 BG CNG  
AIR INTAKE**

| Key | PartNumber | Qty | Description | Comment |
|-----|------------|-----|-------------|---------|
|-----|------------|-----|-------------|---------|



**Models:** **L4RE  
ENGINE  
CUMMINS 5.9 BG CNG  
AIR INTAKE**

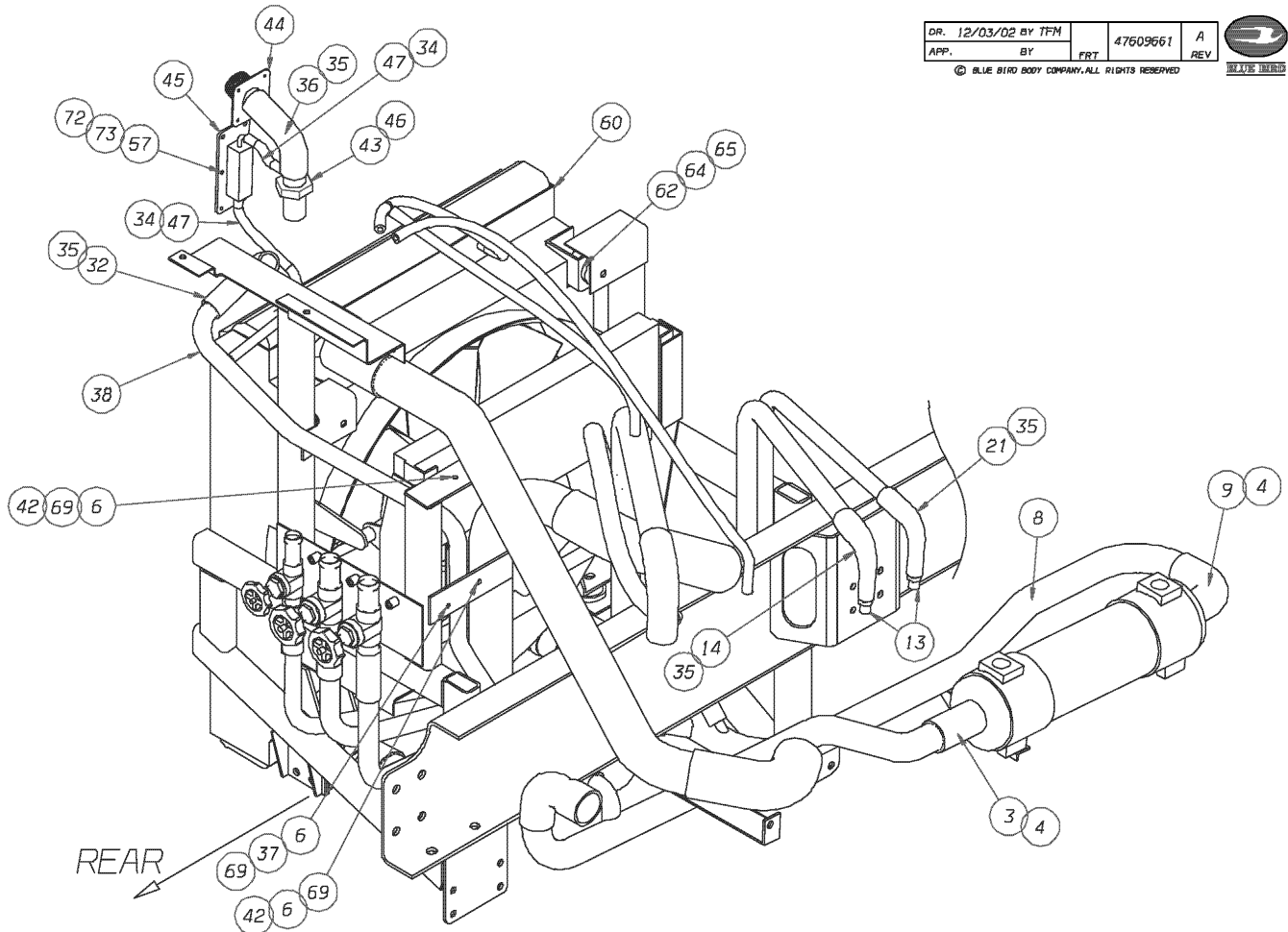
| Key | PartNumber | Qty | Description                              | Comment             |
|-----|------------|-----|--|---------------------|
| 1   | 4752082    |     | AIR CLEANER                              |                     |
| 2   | 4752083    | 2   | STRAP MOUNTING AIR CLEANER               |                     |
| 3   | 4752084    |     | RESTRICTION INDICATOR                    |                     |
| 4   | 4752085    |     | ADAPTER INDICATOR                        |                     |
| 5   | 4752086    |     | PLATE INDICATOR MTG                      |                     |
| 6   | 4752087    |     | ELBOW RUBBER 5 45 DEG                    |                     |
| 7   | 4752090    | 4   | CLAMP HOSE 5                             | <i>JUBILEE CLIP</i> |
| 8   | 4752091    | 3   | CLAMP HOSE 4                             | <i>JUBILEE CLIP</i> |
| 9   | 4754214    |     | CLAMP 4 INCH                             |                     |
| 10  | 4754219    |     | PIPE RESTRICTION INDICATOR               |                     |
| 11  | 4758770    |     | ELBOW RUBBER 4 90 DEG                    |                     |
| 12  | 4758771    |     | ELBOW RUBBER 5-4 90 DEG                  |                     |
| 13  | 0066027    |     | PIPE,AIR INTAKE,5 IN OD,CNG              |                     |
| 14  | 4758773    |     | PIPE AIR INTAKE 4 STEEL                  |                     |
| 15  | 0971739    | 2   | CAPSCREW,HX HD,M8-1.25X20,CL 8.8,        |                     |
| 16  | 2001188    | 2   | LOCKWASHER,SPLIT RING, 5/16,MED,YEL ZN   |                     |
| 17  | 0997742    | 4   | CAPSCREW,HX HD,M10-1.5X25,CL10.9,        |                     |
| 18  | 1468263    | 4   | NUT,HEX HD,M10-1.50,YELLOW DICHROMATE    |                     |
| 19  | 1107085    | 4   | WASHER,FLAT,13/32 X 13/16 X 3/32,HDN,BLK |                     |
| 20  | 1788454    | 2   | CAPSCREW,HX HD,M6-1 X 20,CL 10.9,        |                     |
| 21  | 1529254    | 2   | NUT,HEX HD,M6-1.0, LOCKING               |                     |
| 22  | 4760881    |     | CLAMP,HOSE,6 IN                          |                     |
| 23  | 4760882    |     | PIPE,6 IN,AIR INTAKE                     |                     |

**Models:** L4RE  
ENGINE  
CUMMINS 5.9 BG CNG  
AIR INTAKE

| Key | PartNumber | Qty | Description              | Comment |
|-----|------------|-----|--------------------------|---------|
| 24  | 4760883    |     | HOSE,HUMP,REDUCER 6-5 IN |         |
| 25  | 4760884    |     | CAP,RAIN,ASSY            |         |

**Models:** L4RE  
**ENGINE**  
**CUMMINS 5.9 ISB**  
**With:** FEATURE 40179-01, -02 WITH 40423-01, -02, 40434-01

| Key | PartNumber | Qty | Description | Comment |
|-----|------------|-----|-------------|---------|
|-----|------------|-----|-------------|---------|



**Models:** L4RE  
**ENGINE**  
**CUMMINS 5.9 ISB**  
**With:** FEATURE 40179-01, -02 WITH 40423-01, -02, 40434-01

| Key | PartNumber | Qty | Description                               | Comment |
|-----|------------|-----|---|---------|
| 1   | 0021926    | 4   | CLAMP,LOOP,.625                           |         |
| 2   | 4760990    | 1   | PIPE,1-3/8 OD,COMMON RETURN               |         |
| 3   | 4760649    | 1   | HOSE 2 INCH ID X 4 INCH LG                |         |
| 4   | 1894807    | 10  | CLAMP,CONSTANT TORQUE,1-3/4 TO 2-5/8 DIA  |         |
| 5   | 1107937    | 7   | CLAMP,LOOP,2.00                           |         |
| 6   | 4761022    | 15  | CAPSCREW,HEX HD,3/8-16 X 3/4,GR5,YEL DICH |         |
| 7   | 4760964    | 1   | PIPE,2 IN,TRANS COOLER TO ENGINE          |         |
| 8   | 4760965    | 1   | PIPE,2 IN,RADIATOR TO TRANS COOLER        |         |
| 9   | 4760979    | 1   | HOSE,SILICONE,2 IN,ELBOW,90 DEG           |         |
| 10  | 4761021    | 1   | CLAMP,LOOP,1-1/8                          |         |
| 11  | 4760987    | 1   | PIPE,1-1/8 OD,DEMIST FEED                 |         |
| 12  | 4760249    | 1   | BRACKET ASSY COOLING PIPES SUPPORT        |         |
| 13  | 4759446    | 2   | WATER LINE CONNECTOR 1/2 NPT- 3/4 PIPE    |         |
| 14  | 4759447    | 1   | HOSE 90 DEG ELBOW REDUCER 1 3/8- 3/4 ID   |         |
| 15  | 4761013    | 3   | HOSE,SILICONE,1-3/8 ID X 4 IN             |         |
| 16  | 4759374    | 2   | VALVE GATE SOLDER 35 (1-1/4)              |         |
| 17  | 0948141    | 11  | CLAMP,LOOP,1.312                          |         |
| 18  | 1032283    | 16  | CAPSCREW,HEX HD,5/16-18,X,3/4,GR5,        |         |
| 19  | 4760988    | 1   | PIPE,1-3/8 OD,HEATER FEED                 |         |
| 20  | 4759448    | 4   | PIPE COPPER, 35MM, OD BEADED              |         |
| 21  | 4759449    | 1   | HOSE 90 DEG ELBOW REDUCER 1 1/8- 3/4 ID   |         |
| 22  | 0419804    | 4   | CAPSCREW,HEX HD,1/2-13 X 1,GR8,YEL ZN     |         |
| 23  | 4759375    | 1   | VALVE GATE SOLDER 28 (1)                  |         |

**Models:** L4RE  
**ENGINE**  
**CUMMINS 5.9 ISB**  
**With:** FEATURE 40179-01, -02 WITH 40423-01, -02, 40434-01

| Key | PartNumber | Qty | Description                              | Comment |
|-----|------------|-----|--|---------|
| 24  | 1010024    | 4   | NUT,HEX HD,1/2-13,GR 8,LG FL,L/N,YEL ZN  |         |
| 25  | 4760976    | 1   | BRACKET,ASSY,SUPPORT,PIPE                |         |
| 26  | 2001048    | 2   | WASHER,FLAT,11/32 X 11/16 X 1/16,YEL     |         |
| 27  | 4761014    | 1   | HOSE,SILICONE,1-1/8 ID X 4 IN            |         |
| 28  | 4759450    | 2   | PIPE COPPER, 28MM, OD BEADED             |         |
| 29  | 0971739    | 2   | CAPSCREW,HX HD,M8-1.25X20,CL 8.8,        |         |
| 30  | 4759113    | 1   | TANK,EXPANSION,WITH CAPS                 |         |
| NI  | 0083955    | 1   | SENSOR,LOW COOLANT LEVEL,L3/L4RE,        |         |
| 31  | 4759370    | 1   | HOSE 3/8 ID X 39.4 LONG                  |         |
| 32  | 4759368    | 2   | HOSE 1-1/4 ID 90 DEG                     |         |
| 33  | 4761065    | 1   | HOSE,SILICONE,3/8 ID X 28 LG             |         |
| 34  | 0009484    | 12  | CLAMP,HOSE,CONSTANT TORQUE,9/16TO1       |         |
| 35  | 0016749    | 20  | CLAMP,CONSTANT TORQUE, 1 1/16 X 2.00,    |         |
| 36  | 4760177    | 1   | HOSE 1-1/2 ID 105 DEG ELBOW              |         |
| 37  | 1225598    | 1   | CLAMP,LOOP,1.25                          |         |
| 38  | 4759369    | 1   | PIPE,EXPANSION TANK,1-1/4 IN OD          |         |
| 39  | 4761050    | 1   | HOSE,3/8 ID X 21 IN LG                   |         |
| 40  | 0002811    | 8   | NUT,HEX HD,5/16-18.FLG,LK,NYL INS,YEL ZN |         |
| 41  | 4761049    | 1   | HOSE,3/8 ID X 3 IN LG                    |         |
| 42  | 0008340    | 3   | CLAMP,LOOP,3.00                          |         |
| 43  | 4760173    | 1   | PIPE FILLER, ADAPTOR ASSY                |         |
| 44  | 4760183    | 1   | PIPE FILLER NECK ASSY                    |         |
| 45  | 4760147    | 1   | GAUGE COOLANT LEVEL                      |         |

**Models:** L4RE  
**ENGINE**  
**CUMMINS 5.9 ISB**  
**With:** FEATURE 40179-01, -02 WITH 40423-01, -02, 40434-01

| Key | PartNumber | Qty | Description                            | Comment                               |
|-----|------------|-----|--|---------------------------------------|
| 46  | 4760479    | 1   | WASHER RUBBER SEALING 1-7/8X1-3/8X1/16 |                                       |
| 47  | 4760471    | 2   | HOSE 5/16 X 15" LONG"                  |                                       |
| 48  | 1557156    | 1   | CAPSCREW,HX HD,M12-1.75X20,G8.8,       |                                       |
| 49  | 4759319    | 1   | PIPE 3 OD TURBO TO CAC                 |                                       |
| 50  | 4759258    | 1   | HOSE 3 ID 90 DEG                       |                                       |
| 51  | 4759257    | 2   | HOSE 3 ID X 5 LONG                     |                                       |
| 52  | 1258581    | 8   | CLAMP,SPRING LOADED,3.25 ID,3.06-3.38  |                                       |
| 53  | 4760490    | 1   | BRACKET ASSY CAC - TURBO MTG           |                                       |
| 54  | 4761048    | 1   | TEE,UNION,MINIBARB,.395 DIA            |                                       |
| 55  | 4759320    | 1   | PIPE 3 OD CAC TO INTAKE MANIFOLD       |                                       |
| 56  | 4759261    | 1   | HOSE,SILICONE,3 ID 90 DEG              |                                       |
| 57  | 4761044    | 6   | SCREW,M6-1.0 X 20MM,CSK.S.STEEL        |                                       |
| 58  | 4761230    | 1   | HOSE,SILICONE,1 IN ID X 59 IN          |                                       |
| 59  | 4761012    | 1   | PIPE,2 IN,ENGINE TO RADIATOR           |                                       |
| 60  | 4761008    | 1   | RADIATOR,COOLING PACK,ASSY             | SEE DIAGRAM 4761008 FOR<br>BREAKDOWN. |
| 61  | 4759266    | 1   | HOSE 2-1.77 ID 90 DEG REDUCER          |                                       |
| 62  | 4759401    | 2   | MOUNT VIBRATION LORD COOLING PACK TOP  |                                       |
| 63  | 4759402    | 2   | MOUNT VIBRATION LORD COOLING PACK BTM  |                                       |
| 64  | 1421775    | 4   | CAPSCREW,HEX FLG,M12-1.75 X 80,10.9    |                                       |
| 65  | 2077014    | 4   | NUT,HEX HD,M12-1.75,FLANGED,YEL DICH   |                                       |
| 66  | 4761045    | 2   | HOSE,HUMP,2 IN ID X 5                  |                                       |
| 67  | 4759259    | 1   | HOSE 2 ID 90 DEG                       |                                       |
| 68  | 1896521    | 2   | WASHER,FLAT,.531 X 2.00 X 11 GA,YEL ZN |                                       |




**Models: L4RE  
ENGINE  
CUMMINS 5.9 ISB**  
**With: FEATURE 40179-01, -02 WITH 40423-01, -02, 40434-01**

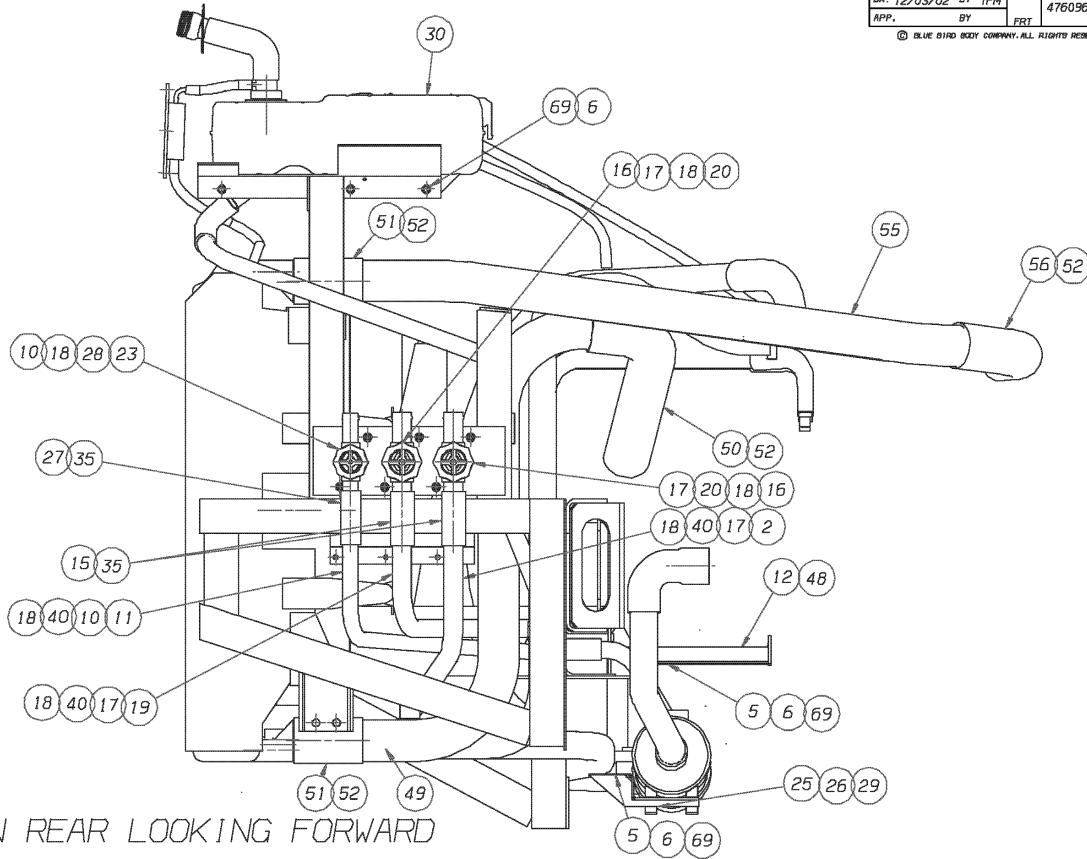
| Key | PartNumber | Qty | Description                            | Comment |
|-----|------------|-----|--|---------|
| 69  | 2171809    | 13  | NUT,HEX HD,3/8-16,ZINC,SM FLG LK,YEL   |         |
| 70  | 4760827    | 1   | BRACKET,ASSY,RADIATOR MTG,FRONT        |         |
| 71  | 4760830    | 1   | BRACKET,ASSY,RADIATOR MTG,REAR         |         |
| 72  | 1247709    | 6   | WASHER,FLAT,17/64 ID X,5/8,YEL ZN DICH |         |
| 73  | 1529254    | 6   | NUT,HEX HD,M6-1.0, LOCKING             |         |
| 74  | 4759591    | 1   | BRACKET PIPE SUPPORT ANGLED 3 SLOT     |         |

**Models:** L4RE  
**ENGINE**  
**CUMMINS 5.9 ISB**  
**With:** FEATURE 40179-01, -02 WITH 40423-01, -02, 40434-01

| Key | PartNumber | Qty | Description | Comment |
|-----|------------|-----|-------------|---------|
|-----|------------|-----|-------------|---------|

|              |        |          |     |   |
|--------------|--------|----------|-----|---|
| DR. 12/03/02 | BY TFM | 47609662 | A   |  |
| APP.         | BY     | FRT      | REV |   |

© BLUE BIRD BODY COMPANY. ALL RIGHTS RESERVED



**Models:** L4RE  
**ENGINE**  
**CUMMINS 5.9 ISB**  
**With:** FEATURE 40179-01, -02 WITH 40423-01, -02, 40434-01

| Key | PartNumber | Qty | Description                               | Comment |
|-----|------------|-----|---|---------|
| 1   | 0021926    | 4   | CLAMP,LOOP,.625                           |         |
| 2   | 4760990    | 1   | PIPE,1-3/8 OD,COMMON RETURN               |         |
| 3   | 4760649    | 1   | HOSE 2 INCH ID X 4 INCH LG                |         |
| 4   | 1894807    | 10  | CLAMP,CONSTANT TORQUE,1-3/4 TO 2-5/8 DIA  |         |
| 5   | 1107937    | 7   | CLAMP,LOOP,2.00                           |         |
| 6   | 4761022    | 15  | CAPSCREW,HEX HD,3/8-16 X 3/4,GR5,YEL DICH |         |
| 7   | 4760964    | 1   | PIPE,2 IN,TRANS COOLER TO ENGINE          |         |
| 8   | 4760965    | 1   | PIPE,2 IN,RADIATOR TO TRANS COOLER        |         |
| 9   | 4760979    | 1   | HOSE,SILICONE,2 IN,ELBOW,90 DEG           |         |
| 10  | 4761021    | 1   | CLAMP,LOOP,1-1/8                          |         |
| 11  | 4760987    | 1   | PIPE,1-1/8 OD,DEMIST FEED                 |         |
| 12  | 4760249    | 1   | BRACKET ASSY COOLING PIPES SUPPORT        |         |
| 13  | 4759446    | 2   | WATER LINE CONNECTOR 1/2 NPT- 3/4 PIPE    |         |
| 14  | 4759447    | 1   | HOSE 90 DEG ELBOW REDUCER 1 3/8- 3/4 ID   |         |
| 15  | 4761013    | 3   | HOSE,SILICONE,1-3/8 ID X 4 IN             |         |
| 16  | 4759374    | 2   | VALVE GATE SOLDER 35 (1-1/4)              | 1 1/4"  |
| 17  | 0948141    | 11  | CLAMP,LOOP,1.312                          |         |
| 18  | 1032283    | 16  | CAPSCREW,HEX HD,5/16-18,X,3/4,GR5,        |         |
| 19  | 4760988    | 1   | PIPE,1-3/8 OD,HEATER FEED                 |         |
| 20  | 4759448    | 4   | PIPE COPPER, 35MM, OD BEADED              |         |
| 21  | 4759449    | 1   | HOSE 90 DEG ELBOW REDUCER 1 1/8- 3/4 ID   |         |
| 22  | 0419804    | 4   | CAPSCREW,HEX HD,1/2-13 X 1,GR8,YEL ZN     |         |
| 23  | 4759375    | 1   | VALVE GATE SOLDER 28 (1)                  | 1"      |

**Models:** L4RE  
**ENGINE**  
**CUMMINS 5.9 ISB**  
**With:** FEATURE 40179-01, -02 WITH 40423-01, -02, 40434-01

| Key | PartNumber | Qty | Description                              | Comment |
|-----|------------|-----|--|---------|
| 24  | 1010024    | 4   | NUT,HEX HD,1/2-13,GR 8,LG FL,L/N,YEL ZN  |         |
| 25  | 4760976    | 1   | BRACKET,ASSY,SUPPORT,PIPE                |         |
| 26  | 2001048    | 2   | WASHER,FLAT,11/32 X 11/16 X 1/16,YEL     |         |
| 27  | 4761014    | 1   | HOSE,SILICONE,1-1/8 ID X 4 IN            |         |
| 28  | 4759450    | 2   | PIPE COPPER, 28MM, OD BEADED             |         |
| 29  | 0971739    | 2   | CAPSCREW,HX HD,M8-1.25X20,CL 8.8,        |         |
| 30  | 4759113    | 1   | TANK,EXPANSION,WITH CAPS                 |         |
| NI  | 0083955    | 1   | SENSOR,LOW COOLANT LEVEL,L3/L4RE,        |         |
| 31  | 4759370    | 1   | HOSE 3/8 ID X 39.4 LONG                  |         |
| 32  | 4759368    | 2   | HOSE 1-1/4 ID 90 DEG                     |         |
| 33  | 4761065    | 1   | HOSE,SILICONE,3/8 ID X 28 LG             |         |
| 34  | 0009484    | 12  | CLAMP,HOSE,CONSTANT TORQUE,9/16TO1       |         |
| 35  | 0016749    | 20  | CLAMP,CONSTANT TORQUE, 1 1/16 X 2.00,    |         |
| 36  | 4760177    | 1   | HOSE 1-1/2 ID 105 DEG ELBOW              |         |
| 37  | 1225598    | 1   | CLAMP,LOOP,1.25                          |         |
| 38  | 4759369    | 1   | PIPE,EXPANSION TANK,1-1/4 IN OD          |         |
| 39  | 4761050    | 1   | HOSE,3/8 ID X 21 IN LG                   |         |
| 40  | 0002811    | 8   | NUT,HEX HD,5/16-18.FLG,LK,NYL INS,YEL ZN |         |
| 41  | 4761049    | 1   | HOSE,3/8 ID X 3 IN LG                    |         |
| 42  | 0008340    | 3   | CLAMP,LOOP,3.00                          |         |
| 43  | 4760173    | 1   | PIPE FILLER, ADAPTOR ASSY                |         |
| 44  | 4760183    | 1   | PIPE FILLER NECK ASSY                    |         |
| 45  | 4760147    | 1   | GAUGE COOLANT LEVEL                      |         |

**Models:** L4RE  
**ENGINE**  
**CUMMINS 5.9 ISB**  
**With:** FEATURE 40179-01, -02 WITH 40423-01, -02, 40434-01

| Key | PartNumber | Qty | Description                            | Comment                               |
|-----|------------|-----|--|---------------------------------------|
| 46  | 4760479    | 1   | WASHER RUBBER SEALING 1-7/8X1-3/8X1/16 |                                       |
| 47  | 4760471    | 2   | HOSE 5/16 X 15" LONG"                  |                                       |
| 48  | 1557156    | 1   | CAPSCREW,HX HD,M12-1.75X20,G8.8,       |                                       |
| 49  | 4759319    | 1   | PIPE 3 OD TURBO TO CAC                 |                                       |
| 50  | 4759258    | 1   | HOSE 3 ID 90 DEG                       |                                       |
| 51  | 4759257    | 2   | HOSE 3 ID X 5 LONG                     |                                       |
| 52  | 1258581    | 8   | CLAMP,SPRING LOADED,3.25 ID,3.06-3.38  |                                       |
| 53  | 4760490    | 1   | BRACKET ASSY CAC - TURBO MTG           |                                       |
| 54  | 4761048    | 1   | TEE,UNION,MINIBARB,.395 DIA            |                                       |
| 55  | 4759320    | 1   | PIPE 3 OD CAC TO INTAKE MANIFOLD       |                                       |
| 56  | 4759261    | 1   | HOSE,SILICONE,3 ID 90 DEG              |                                       |
| 57  | 4761044    | 6   | SCREW,M6-1.0 X 20MM,CSK.S.STEEL        |                                       |
| 58  | 4761230    | 1   | HOSE,SILICONE,1 IN ID X 59 IN          |                                       |
| 59  | 4761012    | 1   | PIPE,2 IN,ENGINE TO RADIATOR           |                                       |
| 60  | 4761008    | 1   | RADIATOR,COOLING PACK,ASSY             | SEE DIAGRAM 4761008 FOR<br>BREAKDOWN. |
| 61  | 4759266    | 1   | HOSE 2-1.77 ID 90 DEG REDUCER          |                                       |
| 62  | 4759401    | 2   | MOUNT VIBRATION LORD COOLING PACK TOP  |                                       |
| 63  | 4759402    | 2   | MOUNT VIBRATION LORD COOLING PACK BTM  |                                       |
| 64  | 1421775    | 4   | CAPSCREW,HEX FLG,M12-1.75 X 80,10.9    |                                       |
| 65  | 2077014    | 4   | NUT,HEX HD,M12-1.75,FLANGED,YEL DICH   |                                       |
| 66  | 4761045    | 2   | HOSE,HUMP,2 IN ID X 5                  |                                       |
| 67  | 4759259    | 1   | HOSE 2 ID 90 DEG                       |                                       |
| 68  | 1896521    | 2   | WASHER,FLAT,.531 X 2.00 X 11 GA,YEL ZN |                                       |


**Models:** L4RE  
**ENGINE**  
**CUMMINS 5.9 ISB**  
**With:** FEATURE 40179-01, -02 WITH 40423-01, -02, 40434-01

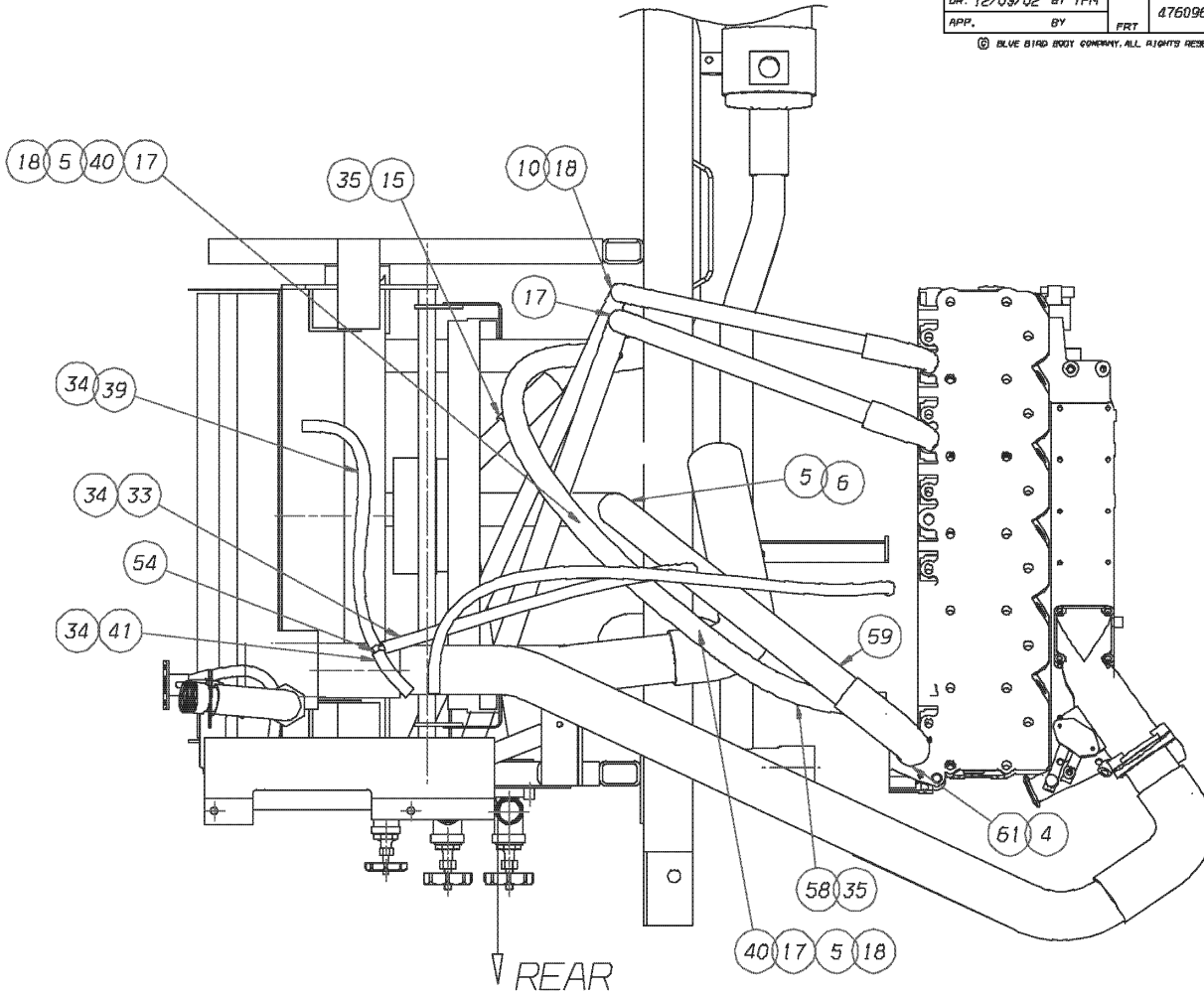
| Key | PartNumber | Qty | Description                            | Comment |
|-----|------------|-----|--|---------|
| 69  | 2171809    | 13  | NUT,HEX HD,3/8-16,ZINC,SM FLG LK,YEL   |         |
| 70  | 4760827    | 1   | BRACKET,ASSY,RADIATOR MTG,FRONT        |         |
| 71  | 4760830    | 1   | BRACKET,ASSY,RADIATOR MTG,REAR         |         |
| 72  | 1247709    | 6   | WASHER,FLAT,17/64 ID X,5/8,YEL ZN DICH |         |
| 73  | 1529254    | 6   | NUT,HEX HD,M6-1.0, LOCKING             |         |
| 74  | 4759591    | 1   | BRACKET PIPE SUPPORT ANGLED 3 SLOT     |         |

**Models:** L4RE  
**ENGINE**  
**CUMMINS 5.9 ISB**  
**With:** FEATURE 40179-01, -02 WITH 40423-01, -02, 40434-01

| Key | PartNumber | Qty | Description | Comment |
|-----|------------|-----|-------------|---------|
|-----|------------|-----|-------------|---------|

|              |        |          |     |
|--------------|--------|----------|-----|
| DR. 12/03/02 | BY TFM | 47609663 | A   |
| APP.         | BY     | FRT      | REV |

© BLUE BIRD BODY COMPANY. ALL RIGHTS RESERVED. 



**Models:** L4RE  
**ENGINE**  
**CUMMINS 5.9 ISB**  
**With:** FEATURE 40179-01, -02 WITH 40423-01, -02, 40434-01

| Key | PartNumber | Qty | Description                               | Comment |
|-----|------------|-----|---|---------|
| 1   | 0021926    | 4   | CLAMP,LOOP,.625                           |         |
| 2   | 4760990    | 1   | PIPE,1-3/8 OD,COMMON RETURN               |         |
| 3   | 4760649    | 1   | HOSE 2 INCH ID X 4 INCH LG                |         |
| 4   | 1894807    | 10  | CLAMP,CONSTANT TORQUE,1-3/4 TO 2-5/8 DIA  |         |
| 5   | 1107937    | 7   | CLAMP,LOOP,2.00                           |         |
| 6   | 4761022    | 15  | CAPSCREW,HEX HD,3/8-16 X 3/4,GR5,YEL DICH |         |
| 7   | 4760964    | 1   | PIPE,2 IN,TRANS COOLER TO ENGINE          |         |
| 8   | 4760965    | 1   | PIPE,2 IN,RADIATOR TO TRANS COOLER        |         |
| 9   | 4760979    | 1   | HOSE,SILICONE,2 IN,ELBOW,90 DEG           |         |
| 10  | 4761021    | 1   | CLAMP,LOOP,1-1/8                          |         |
| 11  | 4760987    | 1   | PIPE,1-1/8 OD,DEMIST FEED                 |         |
| 12  | 4760249    | 1   | BRACKET ASSY COOLING PIPES SUPPORT        |         |
| 13  | 4759446    | 2   | WATER LINE CONNECTOR 1/2 NPT- 3/4 PIPE    |         |
| 14  | 4759447    | 1   | HOSE 90 DEG ELBOW REDUCER 1 3/8- 3/4 ID   |         |
| 15  | 4761013    | 3   | HOSE,SILICONE,1-3/8 ID X 4 IN             |         |
| 16  | 4759374    | 2   | VALVE GATE SOLDER 35 (1-1/4)              |         |
| 17  | 0948141    | 11  | CLAMP,LOOP,1.312                          |         |
| 18  | 1032283    | 16  | CAPSCREW,HEX HD,5/16-18,X,3/4,GR5,        |         |
| 19  | 4760988    | 1   | PIPE,1-3/8 OD,HEATER FEED                 |         |
| 20  | 4759448    | 4   | PIPE COPPER, 35MM, OD BEADED              |         |
| 21  | 4759449    | 1   | HOSE 90 DEG ELBOW REDUCER 1 1/8- 3/4 ID   |         |
| 22  | 0419804    | 4   | CAPSCREW,HEX HD,1/2-13 X 1,GR8,YEL ZN     |         |
| 23  | 4759375    | 1   | VALVE GATE SOLDER 28 (1)                  |         |

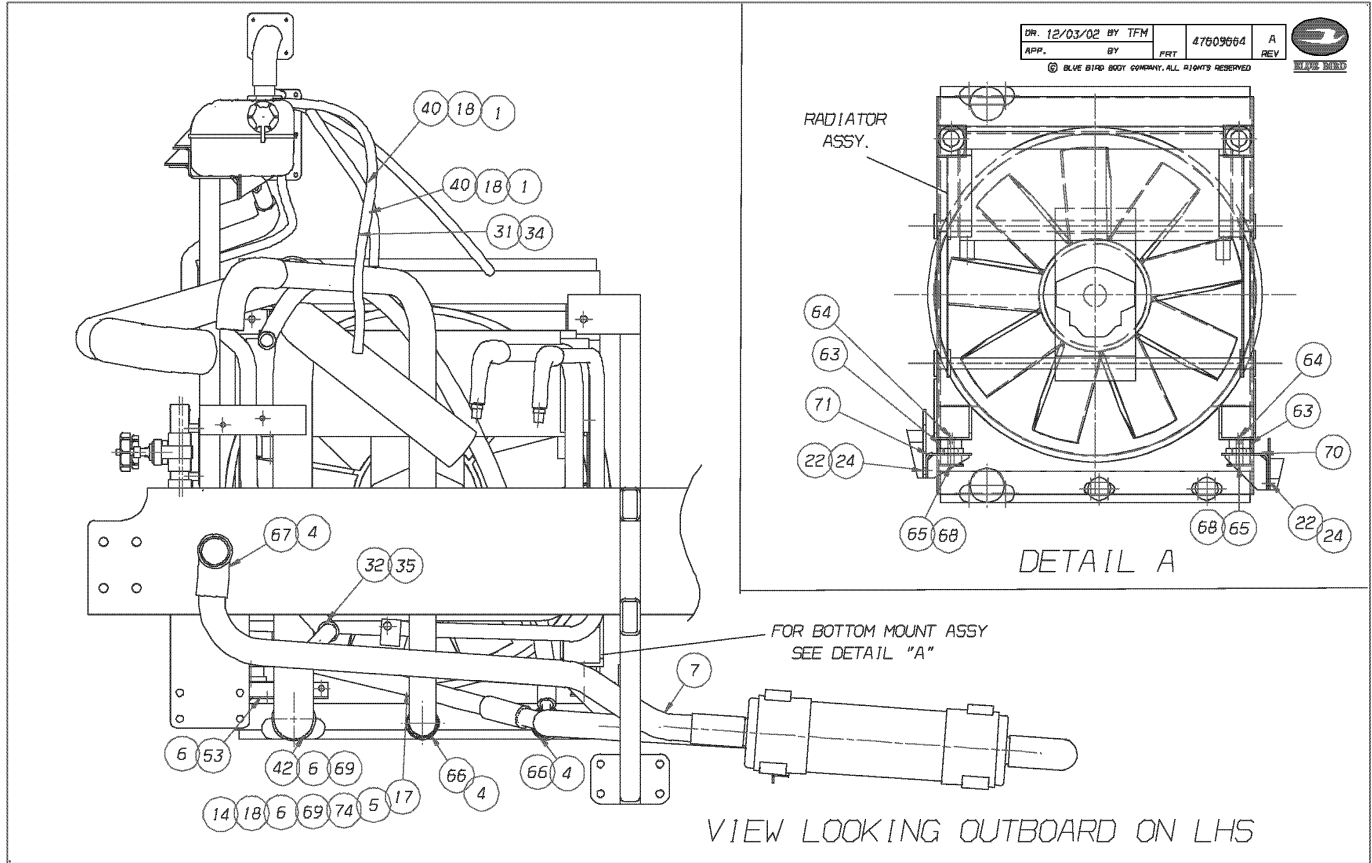


**Models:** L4RE  
**ENGINE**  
**CUMMINS 5.9 ISB**  
**With:** FEATURE 40179-01, -02 WITH 40423-01, -02, 40434-01

| Key | PartNumber | Qty | Description                              | Comment |
|-----|------------|-----|--|---------|
| 24  | 1010024    | 4   | NUT,HEX HD,1/2-13,GR 8,LG FL,L/N,YEL ZN  |         |
| 25  | 4760976    | 1   | BRACKET,ASSY,SUPPORT,PIPE                |         |
| 26  | 2001048    | 2   | WASHER,FLAT,11/32 X 11/16 X 1/16,YEL     |         |
| 27  | 4761014    | 1   | HOSE,SILICONE,1-1/8 ID X 4 IN            |         |
| 28  | 4759450    | 2   | PIPE COPPER, 28MM, OD BEADED             |         |
| 29  | 0971739    | 2   | CAPSCREW,HX HD,M8-1.25X20,CL 8.8,        |         |
| 30  | 4759113    | 1   | TANK,EXPANSION,WITH CAPS                 |         |
| NI  | 0083955    | 1   | SENSOR,LOW COOLANT LEVEL,L3/L4RE,        |         |
| 31  | 4759370    | 1   | HOSE 3/8 ID X 39.4 LONG                  |         |
| 32  | 4759368    | 2   | HOSE 1-1/4 ID 90 DEG                     |         |
| 33  | 4761065    | 1   | HOSE,SILICONE,3/8 ID X 28 LG             |         |
| 34  | 0009484    | 12  | CLAMP,HOSE,CONSTANT TORQUE,9/16TO1       |         |
| 35  | 0016749    | 20  | CLAMP,CONSTANT TORQUE, 1 1/16 X 2.00,    |         |
| 36  | 4760177    | 1   | HOSE 1-1/2 ID 105 DEG ELBOW              |         |
| 37  | 1225598    | 1   | CLAMP,LOOP,1.25                          |         |
| 38  | 4759369    | 1   | PIPE,EXPANSION TANK,1-1/4 IN OD          |         |
| 39  | 4761050    | 1   | HOSE,3/8 ID X 21 IN LG                   |         |
| 40  | 0002811    | 8   | NUT,HEX HD,5/16-18.FLG,LK,NYL INS,YEL ZN |         |
| 41  | 4761049    | 1   | HOSE,3/8 ID X 3 IN LG                    |         |
| 42  | 0008340    | 3   | CLAMP,LOOP,3.00                          |         |
| 43  | 4760173    | 1   | PIPE FILLER, ADAPTOR ASSY                |         |
| 44  | 4760183    | 1   | PIPE FILLER NECK ASSY                    |         |
| 45  | 4760147    | 1   | GAUGE COOLANT LEVEL                      |         |

**Models:** L4RE  
**ENGINE**  
**CUMMINS 5.9 ISB**  
**With:** FEATURE 40179-01, -02 WITH 40423-01, -02, 40434-01

| Key | PartNumber | Qty | Description | Comment |
|-----|------------|-----|-------------|---------|
|-----|------------|-----|-------------|---------|



**Models:** L4RE  
**ENGINE**  
**CUMMINS 5.9 ISB**  
**With:** FEATURE 40179-01, -02 WITH 40423-01, -02, 40434-01

| Key | PartNumber | Qty | Description                               | Comment |
|-----|------------|-----|---|---------|
| 1   | 0021926    | 4   | CLAMP,LOOP,.625                           |         |
| 2   | 4760990    | 1   | PIPE,1-3/8 OD,COMMON RETURN               |         |
| 3   | 4760649    | 1   | HOSE 2 INCH ID X 4 INCH LG                |         |
| 4   | 1894807    | 10  | CLAMP,CONSTANT TORQUE,1-3/4 TO 2-5/8 DIA  |         |
| 5   | 1107937    | 7   | CLAMP,LOOP,2.00                           |         |
| 6   | 4761022    | 15  | CAPSCREW,HEX HD,3/8-16 X 3/4,GR5,YEL DICH |         |
| 7   | 4760964    | 1   | PIPE,2 IN,TRANS COOLER TO ENGINE          |         |
| 8   | 4760965    | 1   | PIPE,2 IN,RADIATOR TO TRANS COOLER        |         |
| 9   | 4760979    | 1   | HOSE,SILICONE,2 IN,ELBOW,90 DEG           |         |
| 10  | 4761021    | 1   | CLAMP,LOOP,1-1/8                          |         |
| 11  | 4760987    | 1   | PIPE,1-1/8 OD,DEMIST FEED                 |         |
| 12  | 4760249    | 1   | BRACKET ASSY COOLING PIPES SUPPORT        |         |
| 13  | 4759446    | 2   | WATER LINE CONNECTOR 1/2 NPT- 3/4 PIPE    |         |
| 14  | 4759447    | 1   | HOSE 90 DEG ELBOW REDUCER 1 3/8- 3/4 ID   |         |
| 15  | 4761013    | 3   | HOSE,SILICONE,1-3/8 ID X 4 IN             |         |
| 16  | 4759374    | 2   | VALVE GATE SOLDER 35 (1-1/4)              |         |
| 17  | 0948141    | 11  | CLAMP,LOOP,1.312                          |         |
| 18  | 1032283    | 16  | CAPSCREW,HEX HD,5/16-18,X,3/4,GR5,        |         |
| 19  | 4760988    | 1   | PIPE,1-3/8 OD,HEATER FEED                 |         |
| 20  | 4759448    | 4   | PIPE COPPER, 35MM, OD BEADED              |         |
| 21  | 4759449    | 1   | HOSE 90 DEG ELBOW REDUCER 1 1/8- 3/4 ID   |         |
| 22  | 0419804    | 4   | CAPSCREW,HEX HD,1/2-13 X 1,GR8,YEL ZN     |         |
| 23  | 4759375    | 1   | VALVE GATE SOLDER 28 (1)                  |         |

**Models:** L4RE  
**ENGINE**  
**CUMMINS 5.9 ISB**  
**With:** FEATURE 40179-01, -02 WITH 40423-01, -02, 40434-01

| Key | PartNumber | Qty | Description                              | Comment |
|-----|------------|-----|--|---------|
| 24  | 1010024    | 4   | NUT,HEX HD,1/2-13,GR 8,LG FL,L/N,YEL ZN  |         |
| 25  | 4760976    | 1   | BRACKET,ASSY,SUPPORT,PIPE                |         |
| 26  | 2001048    | 2   | WASHER,FLAT,11/32 X 11/16 X 1/16,YEL     |         |
| 27  | 4761014    | 1   | HOSE,SILICONE,1-1/8 ID X 4 IN            |         |
| 28  | 4759450    | 2   | PIPE COPPER, 28MM, OD BEADED             |         |
| 29  | 0971739    | 2   | CAPSCREW,HX HD,M8-1.25X20,CL 8.8,        |         |
| 30  | 4759113    | 1   | TANK,EXPANSION,WITH CAPS                 |         |
| NI  | 0083955    | 1   | SENSOR,LOW COOLANT LEVEL,L3/L4RE,        |         |
| 31  | 4759370    | 1   | HOSE 3/8 ID X 39.4 LONG                  |         |
| 32  | 4759368    | 2   | HOSE 1-1/4 ID 90 DEG                     |         |
| 33  | 4761065    | 1   | HOSE,SILICONE,3/8 ID X 28 LG             |         |
| 34  | 0009484    | 12  | CLAMP,HOSE,CONSTANT TORQUE,9/16TO1       |         |
| 35  | 0016749    | 20  | CLAMP,CONSTANT TORQUE, 1 1/16 X 2.00,    |         |
| 36  | 4760177    | 1   | HOSE 1-1/2 ID 105 DEG ELBOW              |         |
| 37  | 1225598    | 1   | CLAMP,LOOP,1.25                          |         |
| 38  | 4759369    | 1   | PIPE,EXPANSION TANK,1-1/4 IN OD          |         |
| 39  | 4761050    | 1   | HOSE,3/8 ID X 21 IN LG                   |         |
| 40  | 0002811    | 8   | NUT,HEX HD,5/16-18.FLG,LK,NYL INS,YEL ZN |         |
| 41  | 4761049    | 1   | HOSE,3/8 ID X 3 IN LG                    |         |
| 42  | 0008340    | 3   | CLAMP,LOOP,3.00                          |         |
| 43  | 4760173    | 1   | PIPE FILLER, ADAPTOR ASSY                |         |
| 44  | 4760183    | 1   | PIPE FILLER NECK ASSY                    |         |
| 45  | 4760147    | 1   | GAUGE COOLANT LEVEL                      |         |

**Models:** L4RE  
**ENGINE**  
**CUMMINS 5.9 ISB**  
**With:** FEATURE 40179-01, -02 WITH 40423-01, -02, 40434-01


| Key | PartNumber | Qty | Description                            | Comment                              |
|-----|------------|-----|--|--------------------------------------|
| 46  | 4760479    | 1   | WASHER RUBBER SEALING 1-7/8X1-3/8X1/16 |                                      |
| 47  | 4760471    | 2   | HOSE 5/16 X 15" LONG"                  |                                      |
| 48  | 1557156    | 1   | CAPSCREW,HX HD,M12-1.75X20,G8.8,       |                                      |
| 49  | 4759319    | 1   | PIPE 3 OD TURBO TO CAC                 |                                      |
| 50  | 4759258    | 1   | HOSE 3 ID 90 DEG                       |                                      |
| 51  | 4759257    | 2   | HOSE 3 ID X 5 LONG                     |                                      |
| 52  | 1258581    | 8   | CLAMP,SPRING LOADED,3.25 ID,3.06-3.38  |                                      |
| 53  | 4760490    | 1   | BRACKET ASSY CAC - TURBO MTG           |                                      |
| 54  | 4761048    | 1   | TEE,UNION,MINIBARB,.395 DIA            |                                      |
| 55  | 4759320    | 1   | PIPE 3 OD CAC TO INTAKE MANIFOLD       |                                      |
| 56  | 4759261    | 1   | HOSE,SILICONE,3 ID 90 DEG              |                                      |
| 57  | 4761044    | 6   | SCREW,M6-1.0 X 20MM,CSK.S.STEEL        |                                      |
| 58  | 4761230    | 1   | HOSE,SILICONE,1 IN ID X 59 IN          |                                      |
| 59  | 4761012    | 1   | PIPE,2 IN,ENGINE TO RADIATOR           |                                      |
| 60  | 4761008    | 1   | RADIATOR,COOLING PACK,ASSY             | SEE DIAGRAM 4761008 FOR<br>BREAKDOWN |
| 61  | 4759266    | 1   | HOSE 2-1.77 ID 90 DEG REDUCER          |                                      |
| 62  | 4759401    | 2   | MOUNT VIBRATION LORD COOLING PACK TOP  |                                      |
| 63  | 4759402    | 2   | MOUNT VIBRATION LORD COOLING PACK BTM  |                                      |
| 64  | 1421775    | 4   | CAPSCREW,HEX FLG,M12-1.75 X 80,10.9    |                                      |
| 65  | 2077014    | 4   | NUT,HEX HD,M12-1.75,FLANGED,YEL DICH   |                                      |
| 66  | 4761045    | 2   | HOSE,HUMP,2 IN ID X 5                  |                                      |
| 67  | 4759259    | 1   | HOSE 2 ID 90 DEG                       |                                      |
| 68  | 1896521    | 2   | WASHER,FLAT,.531 X 2.00 X 11 GA,YEL ZN |                                      |

**Models:** L4RE  
**ENGINE**  
**CUMMINS 5.9 ISB**  
**With:** FEATURE 40179-01, -02 WITH 40423-01, -02, 40434-01

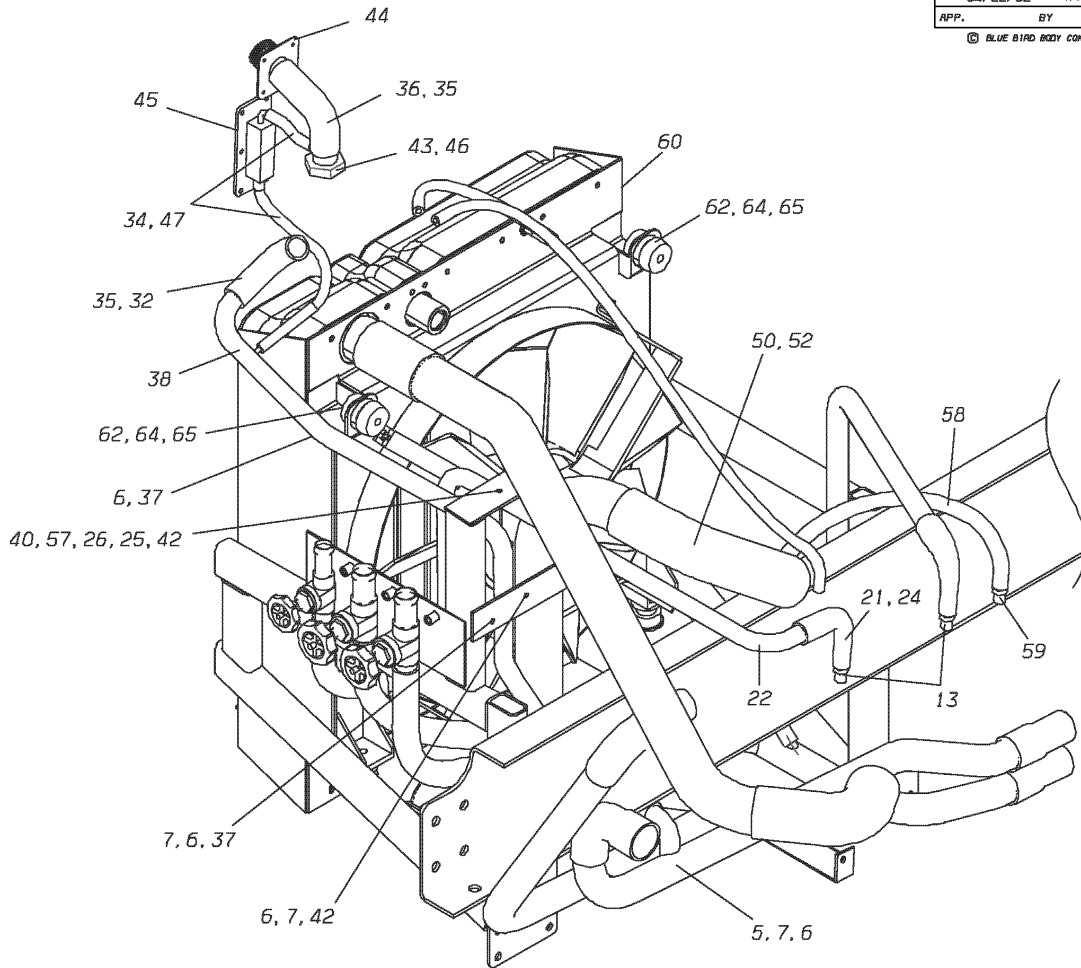
| Key | PartNumber | Qty | Description                            | Comment |
|-----|------------|-----|--|---------|
| 69  | 2171809    | 13  | NUT,HEX HD,3/8-16,ZINC,SM FLG LK,YEL   |         |
| 70  | 4760827    | 1   | BRACKET,ASSY,RADIATOR MTG,FRONT        |         |
| 71  | 4760830    | 1   | BRACKET,ASSY,RADIATOR MTG,REAR         |         |
| 72  | 1247709    | 6   | WASHER,FLAT,17/64 ID X,5/8,YEL ZN DICH |         |
| 73  | 1529254    | 6   | NUT,HEX HD,M6-1.0, LOCKING             |         |
| 74  | 4759591    | 1   | BRACKET PIPE SUPPORT ANGLED 3 SLOT     |         |

**Models:** L4RE  
**ENGINE**  
**CUMMINS 5.9 ISB**  
**With:** FEATURE 40179-01, -02 WITH 40423-01, -02, 40434-01

| Key | PartNumber | Qty | Description | Comment |
|-----|------------|-----|-------------|---------|
|-----|------------|-----|-------------|---------|

|              |        |         |   |   |
|--------------|--------|---------|---|---|
| DR. DA/22/02 | BY TFM | 4755571 | A |  |
| APP.         | BY FRT | REV     |   |   |

© BLUE BIRD BODY COMPANY. ALL RIGHTS RESERVED



**Models:** L4RE  
**ENGINE**  
**CUMMINS 5.9 ISB**  
**With:** FEATURE 40179-01, -02 WITH 40423-01, -02, 40434-01

| Key | PartNumber | Qty | Description                              | Comment   |
|-----|------------|-----|--|---|
| 1   | 4759316    | 1   | PIPE 2 OD ENGINE TO RADIATOR             |   |
| 2   | 4759266    | 1   | HOSE 2-1.77 ID 90 DEG REDUCER            |   |
| 3   | 4759260    | 2   | HOSE 2.25-2 ID REDUCER                   |   |
| 4   | 1894807    | 17  | CLAMP,CONSTANT TORQUE,1-3/4 TO 2-5/8 DIA |   |
| 5   | 1107937    | 7   | CLAMP,LOOP,2.00                          |   |
| 6   | 0882803    | 10  | CAPSCREW,HEX HD,3/8-16,X,1,,GR5,YELDICH  |   |
| 7   | 0543934    | 9   | NUT,HEX HD,3/8-16,ZINC,LG FLG LK,YEL     |   |
| 8   | 4759317    | 1   | PIPE 2 OD RADIATOR TO TRANSMISSION       | <i>FEATURE 40423-02. B300/ B300R TRANSMISSION</i> |
| 8   | 4759525    | 1   | PIPE 2 OD RAD TO TRANSMISSION COOLER     | <i>FEATURE 40434-01. LT2000 TRANSMISSION</i>      |
| 9   | 4752704    | 2   | HOSE 2-1.75 ID REDUCER                   |   |
| 10  | 4759318    | 1   | PIPE 2 OD TRANSMISSION COOLER TO ENGINE  | <i>FEATURE 40423-01, -02. B300/ B300R</i>         |
| 10  | 4759526    | 1   | PIPE 2 OD TRANS COOLER TO ENGINE         | <i>FEATURE 40434-01. LT2000 TRANSMISSION</i>      |
| 11  | 4759259    | 1   | HOSE 2 ID 90 DEG                         |   |
| 12  | 4760249    | 1   | BRACKET ASSY COOLING PIPES SUPPORT       |   |
| 13  | 4759446    | 2   | WATER LINE CONNECTOR 1/2 NPT- 3/4 PIPE   |   |
| 14  | 4759447    | 1   | HOSE 90 DEG ELBOW REDUCER 1 3/8- 3/4 ID  |   |
| 15  | 4759371    | 2   | HOSE 1 3/8 ID X 39.4 LONG                |   |
| 16  | 4759374    | 2   | VALVE GATE SOLDER 35 (1-1/4)             |   |
| 17  | 0948141    | 6   | CLAMP,LOOP,1.312                         |   |
| 18  | 1032283    | 6   | CAPSCREW,HEX HD,5/16-18,X,3/4,GR5,       |   |
| 19  | 4760232    | 1   | PIPE HEATER FEED 1-3/8 OD                |   |
| 20  | 4759448    | 4   | PIPE COPPER, 35MM, OD BEADED             |   |



**Models:** L4RE  
**ENGINE**  
**CUMMINS 5.9 ISB**  
**With:** FEATURE 40179-01, -02 WITH 40423-01, -02, 40434-01

| Key | PartNumber | Qty | Description                              | Comment |
|-----|------------|-----|--|---------|
| 21  | 4759449    | 1   | HOSE 90 DEG ELBOW REDUCER 1 1/8- 3/4 ID  |         |
| 22  | 4759372    | 1   | HOSE 1-1/8 ID X 78.75 LONG               |         |
| 23  | 4759375    | 1   | VALVE GATE SOLDER 28 (1)                 |         |
| 24  | 1894799    | 7   | CLAMP,CONSTANT TORQUE,13/16 TO 1-1/2 DIA |         |
| 25  | 1517168    | 5   | CLAMP,LOOP,.937                          |         |
| 26  | 4758983    | 1   | BOSS WELDED 5/16-18                      |         |
| 27  | 4760233    | 1   | HOSE 90 DEG ELBOW 1-1/8 ID               |         |
| 28  | 4759450    | 2   | PIPE COPPER, 28MM, OD BEADED             |         |
| 29  | 0020687    | 3   | CLAMP,LOOP,1.75                          |         |
| 30  | 4759113    | 1   | TANK,EXPANSION,WITH CAPS                 |         |
| 31  | 4759370    | 1   | HOSE 3/8 ID X 39.4 LONG                  |         |
| 32  | 4759741    | 1   | HOSE 3/8" ID X 19.7" LONG                |         |
| 32  | 4759368    | 2   | HOSE 1-1/4 ID 90 DEG                     |         |
| 33  | 4759454    | 1   | CONNECTOR MALE MINIBARB                  |         |
| 34  | 0009484    | 8   | CLAMP,HOSE,CONSTANT TORQUE,9/16TO1       |         |
| 35  | 0016749    | 6   | CLAMP,CONSTANT TORQUE, 1 1/16 X 2.00,    |         |
| 36  | 4760177    | 1   | HOSE 1-1/2 ID 105 DEG ELBOW              |         |
| 37  | 1225598    | 2   | CLAMP,LOOP,1.25                          |         |
| 38  | 4759369    | 1   | PIPE,EXPANSION TANK,1-1/4 IN OD          |         |
| 39  | 0989145    | 3   | CAPSCREW,HEX HD,5/16-18, X, 1, ,GR5,     |         |
| 40  | 0002811    | 4   | NUT,HEX HD,5/16-18.FLG,LK,NYL INS,YEL ZN |         |
| 41  | 0021926    | 1   | CLAMP,LOOP,.625                          |         |
| 42  | 0008340    | 4   | CLAMP,LOOP,3.00                          |         |

**Models:** L4RE  
**ENGINE**  
**CUMMINS 5.9 ISB**  
**With:** FEATURE 40179-01, -02 WITH 40423-01, -02, 40434-01

| Key | PartNumber | Qty | Description                            | Comment |
|-----|------------|-----|--|---------|
| 43  | 4760173    | 1   | PIPE FILLER, ADAPTOR ASSY              |         |
| 44  | 4760183    | 1   | PIPE FILLER NECK ASSY                  |         |
| 45  | 4760147    | 1   | GAUGE COOLANT LEVEL                    |         |
| 46  | 4760479    | 1   | WASHER RUBBER SEALING 1-7/8X1-3/8X1/16 |         |
| 47  | 4760471    | 2   | HOSE 5/16 X 15" LONG"                  |         |
| 48  | 1557156    | 1   | CAPSCREW,HX HD,M12-1.75X20,G8.8,       |         |
| 49  | 4759319    | 1   | PIPE 3 OD TURBO TO CAC                 |         |
| 50  | 4759258    | 1   | HOSE 3 ID 90 DEG                       |         |
| 51  | 4759257    | 2   | HOSE 3 ID X 5 LONG                     |         |
| 52  | 1450246    | 8   | CLAMP,SPRING LOADED,3.75 ID,3.56-3.88  |         |
| 53  | 4760490    | 1   | BRACKET ASSY CAC - TURBO MTG           |         |
| 54  | 1532415    | 1   | CAPSCREW,HEX HD,1/2-13 X 3/4,GR 5,     |         |
| 55  | 4759320    | 1   | PIPE 3 OD CAC TO INTAKE MANIFOLD       |         |
| 56  | 4759261    | 1   | HOSE,SILICONE,3 ID 90 DEG              |         |
| 57  | 0616037    | 1   | CAPSCREW,HEX HD,5/16-18X1 1/2,GR5,     |         |
| 58  | 4759451    | 1   | HOSE 5/8 ID X 78.75 LONG               |         |
| 59  | 4759452    | 1   | WATER LINE CONNECTOR 1/2 NPT- 5/8 PIPE |         |
| 60  | 4752115    | 1   | RADIATOR COOLING PACK ASSY             |         |
| 61  | 4759400    | 1   | IMPELLOR COOLING PACK                  |         |
| 62  | 4759401    | 2   | MOUNT VIBRATION LORD COOLING PACK TOP  |         |
| 63  | 4759401    | 2   | MOUNT VIBRATION LORD COOLING PACK TOP  |         |
| 64  | 1421775    | 4   | CAPSCREW,HEX FLG,M12-1.75 X 80,10.9    |         |
| 65  | 2077014    | 4   | NUT,HEX HD,M12-1.75,FLANGED,YEL DICH   |         |

**Models:** L4RE  
ENGINE  
CUMMINS 5.9 ISB  
**With:** FEATURE 40179-01, -02 WITH 40423-01, -02, 40434-01

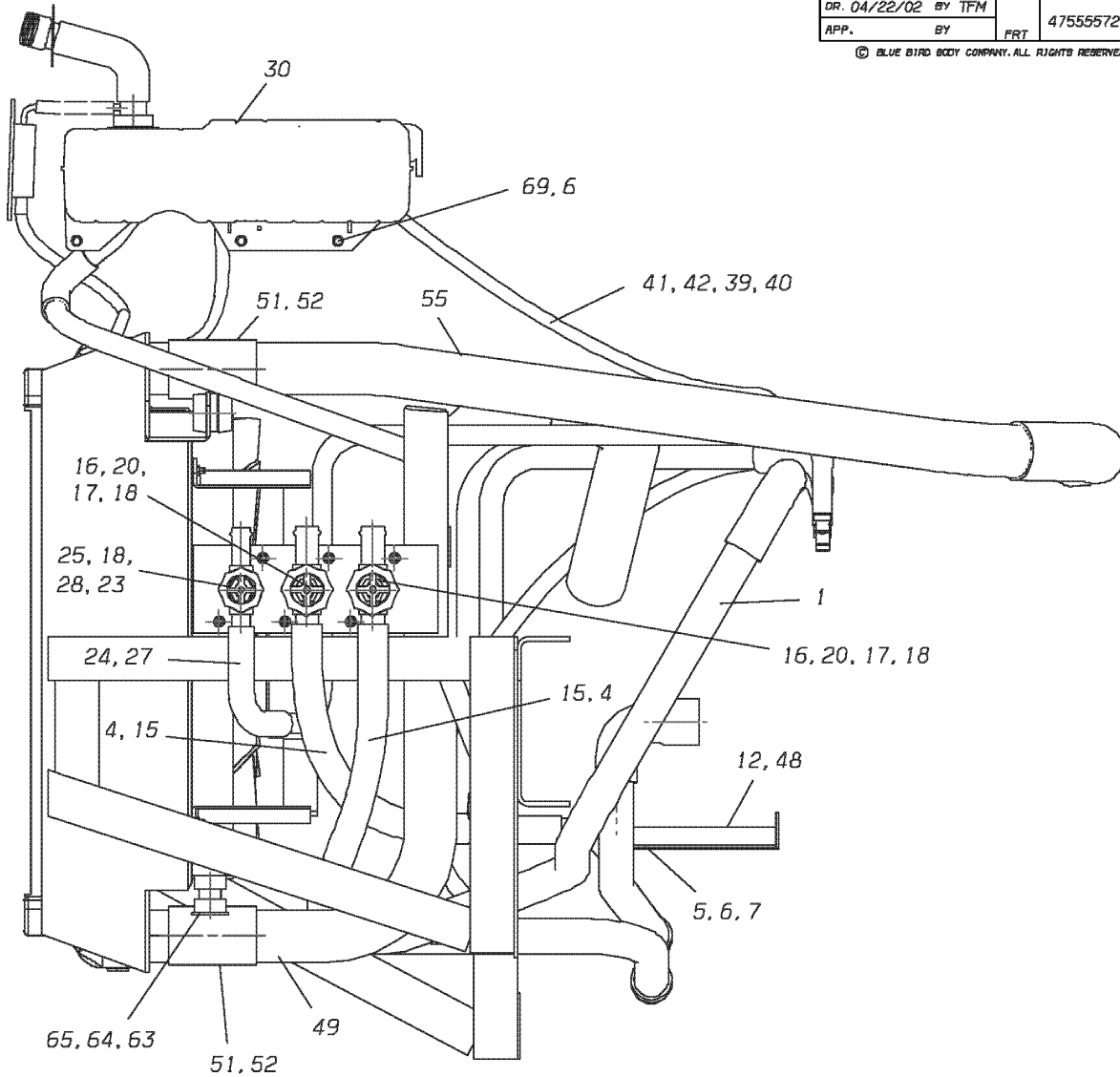
| Key | PartNumber | Qty | Description                          | Comment |
|-----|------------|-----|--------------------------------------|---------|
| 66  | 4759583    | 1   | NUT 5/8 UNF CASTLEATED               |         |
| 67  | 4759584    | 1   | WASHER 5/8 X 30MM OD                 |         |
| 68  | 4759585    | 1   | SPLIT PIN 1/8 X 1 1/2                |         |
| 69  | 2171809    | 5   | NUT,HEX HD,3/8-16,ZINC,SM FLG LK,YEL |         |

**Models:** L4RE  
**ENGINE**  
**CUMMINS 5.9 ISB**  
**With:** FEATURE 40179-01, -02 WITH 40423-01, -02, 40434-01

| Key | PartNumber | Qty | Description | Comment |
|-----|------------|-----|-------------|---------|
|-----|------------|-----|-------------|---------|

|              |        |     |         |       |
|--------------|--------|-----|---------|-------|
| DR. 04/22/02 | BY TFM |     |         |       |
| APP.         | BY     | PRT | 4755572 | A REV |

© BLUE BIRD BODY COMPANY. ALL RIGHTS RESERVED



**Models:** L4RE  
**ENGINE**  
**CUMMINS 5.9 ISB**  
**With:** FEATURE 40179-01, -02 WITH 40423-01, -02, 40434-01

| Key | PartNumber | Qty | Description                              | Comment                                       |
|-----|------------|-----|--|---|
| 1   | 4759316    | 1   | PIPE 2 OD ENGINE TO RADIATOR             |   |
| 2   | 4759266    | 1   | HOSE 2-1.77 ID 90 DEG REDUCER            |   |
| 3   | 4759260    | 2   | HOSE 2.25-2 ID REDUCER                   |   |
| 4   | 1894807    | 17  | CLAMP,CONSTANT TORQUE,1-3/4 TO 2-5/8 DIA |   |
| 5   | 1107937    | 7   | CLAMP,LOOP,2.00                          |   |
| 6   | 0882803    | 10  | CAPSCREW,HEX HD,3/8-16,X,1,,GR5,YELDICH  |   |
| 7   | 0543934    | 9   | NUT,HEX HD,3/8-16,ZINC,LG FLG LK,YEL     |   |
| 8   | 4759317    | 1   | PIPE 2 OD RADIATOR TO TRANSMISSION       | FEATURE 40423-02. B300/ B300R<br>TRANSMISSION |
| 8   | 4759525    | 1   | PIPE 2 OD RAD TO TRANSMISSION COOLER     | FEATURE 40434-01. LT2000<br>TRANSMISSION      |
| 9   | 4752704    | 2   | HOSE 2-1.75 ID REDUCER                   |   |
| 10  | 4759318    | 1   | PIPE 2 OD TRANSMISSION COOLER TO ENGINE  | FEATURE 40423-01, -02. B300/<br>B300R         |
| 10  | 4759526    | 1   | PIPE 2 OD TRANS COOLER TO ENGINE         | FEATURE 40434-01. LT2000<br>TRANSMISSION      |
| 11  | 4759259    | 1   | HOSE 2 ID 90 DEG                         |   |
| 12  | 4760249    | 1   | BRACKET ASSY COOLING PIPES SUPPORT       |   |
| 13  | 4759446    | 2   | WATER LINE CONNECTOR 1/2 NPT- 3/4 PIPE   |   |
| 14  | 4759447    | 1   | HOSE 90 DEG ELBOW REDUCER 1 3/8- 3/4 ID  |   |
| 15  | 4759371    | 2   | HOSE 1 3/8 ID X 39.4 LONG                |   |
| 16  | 4759374    | 2   | VALVE GATE SOLDER 35 (1-1/4)             |   |
| 17  | 0948141    | 6   | CLAMP,LOOP,1.312                         |   |
| 18  | 1032283    | 6   | CAPSCREW,HEX HD,5/16-18,X,3/4,GR5,       |   |
| 19  | 4760232    | 1   | PIPE HEATER FEED 1-3/8 OD                |   |
| 20  | 4759448    | 4   | PIPE COPPER, 35MM, OD BEADED             |   |

**Models:** L4RE  
**ENGINE**  
**CUMMINS 5.9 ISB**  
**With:** FEATURE 40179-01, -02 WITH 40423-01, -02, 40434-01

| Key | PartNumber | Qty | Description                              | Comment |
|-----|------------|-----|--|---------|
| 21  | 4759449    | 1   | HOSE 90 DEG ELBOW REDUCER 1 1/8- 3/4 ID  |         |
| 22  | 4759372    | 1   | HOSE 1-1/8 ID X 78.75 LONG               |         |
| 23  | 4759375    | 1   | VALVE GATE SOLDER 28 (1)                 |         |
| 24  | 1894799    | 7   | CLAMP,CONSTANT TORQUE,13/16 TO 1-1/2 DIA |         |
| 25  | 1517168    | 5   | CLAMP,LOOP,.937                          |         |
| 26  | 4758983    | 1   | BOSS WELDED 5/16-18                      |         |
| 27  | 4760233    | 1   | HOSE 90 DEG ELBOW 1-1/8 ID               |         |
| 28  | 4759450    | 2   | PIPE COPPER, 28MM, OD BEADED             |         |
| 29  | 0020687    | 3   | CLAMP,LOOP,1.75                          |         |
| 30  | 4759113    | 1   | TANK,EXPANSION,WITH CAPS                 |         |
| 31  | 4759370    | 1   | HOSE 3/8 ID X 39.4 LONG                  |         |
| 32  | 4759741    | 1   | HOSE 3/8" ID X 19.7" LONG                |         |
| 32  | 4759368    | 2   | HOSE 1-1/4 ID 90 DEG                     |         |
| 33  | 4759454    | 1   | CONNECTOR MALE MINIBARB                  |         |
| 34  | 0009484    | 8   | CLAMP,HOSE,CONSTANT TORQUE,9/16TO1       |         |
| 35  | 0016749    | 6   | CLAMP,CONSTANT TORQUE, 1 1/16 X 2.00,    |         |
| 36  | 4760177    | 1   | HOSE 1-1/2 ID 105 DEG ELBOW              |         |
| 37  | 1225598    | 2   | CLAMP,LOOP,1.25                          |         |
| 38  | 4759369    | 1   | PIPE,EXPANSION TANK,1-1/4 IN OD          |         |
| 39  | 0989145    | 3   | CAPSCREW,HEX HD,5/16-18, X, 1, ,GR5,     |         |
| 40  | 0002811    | 4   | NUT,HEX HD,5/16-18.FLG,LK,NYL INS,YEL ZN |         |
| 41  | 0021926    | 1   | CLAMP,LOOP,.625                          |         |
| 42  | 0008340    | 4   | CLAMP,LOOP,3.00                          |         |

**Models:** L4RE  
**ENGINE**  
**CUMMINS 5.9 ISB**  
**With:** FEATURE 40179-01, -02 WITH 40423-01, -02, 40434-01

| Key | PartNumber | Qty | Description                            | Comment |
|-----|------------|-----|--|---------|
| 43  | 4760173    | 1   | PIPE FILLER, ADAPTOR ASSY              |         |
| 44  | 4760183    | 1   | PIPE FILLER NECK ASSY                  |         |
| 45  | 4760147    | 1   | GAUGE COOLANT LEVEL                    |         |
| 46  | 4760479    | 1   | WASHER RUBBER SEALING 1-7/8X1-3/8X1/16 |         |
| 47  | 4760471    | 2   | HOSE 5/16 X 15" LONG"                  |         |
| 48  | 1557156    | 1   | CAPSCREW,HX HD,M12-1.75X20,G8.8,       |         |
| 49  | 4759319    | 1   | PIPE 3 OD TURBO TO CAC                 |         |
| 50  | 4759258    | 1   | HOSE 3 ID 90 DEG                       |         |
| 51  | 4759257    | 2   | HOSE 3 ID X 5 LONG                     |         |
| 52  | 1450246    | 8   | CLAMP,SPRING LOADED,3.75 ID,3.56-3.88  |         |
| 53  | 4760490    | 1   | BRACKET ASSY CAC - TURBO MTG           |         |
| 54  | 1532415    | 1   | CAPSCREW,HEX HD,1/2-13 X 3/4,GR 5,     |         |
| 55  | 4759320    | 1   | PIPE 3 OD CAC TO INTAKE MANIFOLD       |         |
| 56  | 4759261    | 1   | HOSE,SILICONE,3 ID 90 DEG              |         |
| 57  | 0616037    | 1   | CAPSCREW,HEX HD,5/16-18X1 1/2,GR5,     |         |
| 58  | 4759451    | 1   | HOSE 5/8 ID X 78.75 LONG               |         |
| 59  | 4759452    | 1   | WATER LINE CONNECTOR 1/2 NPT- 5/8 PIPE |         |
| 60  | 4752115    | 1   | RADIATOR COOLING PACK ASSY             |         |
| 61  | 4759400    | 1   | IMPELLOR COOLING PACK                  |         |
| 62  | 4759401    | 2   | MOUNT VIBRATION LORD COOLING PACK TOP  |         |
| 63  | 4759401    | 2   | MOUNT VIBRATION LORD COOLING PACK TOP  |         |
| 64  | 1421775    | 4   | CAPSCREW,HEX FLG,M12-1.75 X 80,10.9    |         |
| 65  | 2077014    | 4   | NUT,HEX HD,M12-1.75,FLANGED,YEL DICH   |         |


**Models:** L4RE  
ENGINE  
CUMMINS 5.9 ISB  
**With:** FEATURE 40179-01, -02 WITH 40423-01, -02, 40434-01

| Key | PartNumber | Qty | Description                          | Comment |
|-----|------------|-----|--------------------------------------|---------|
| 66  | 4759583    | 1   | NUT 5/8 UNF CASTLEATED               |         |
| 67  | 4759584    | 1   | WASHER 5/8 X 30MM OD                 |         |
| 68  | 4759585    | 1   | SPLIT PIN 1/8 X 1 1/2                |         |
| 69  | 2171809    | 5   | NUT,HEX HD,3/8-16,ZINC,SM FLG LK,YEL |         |

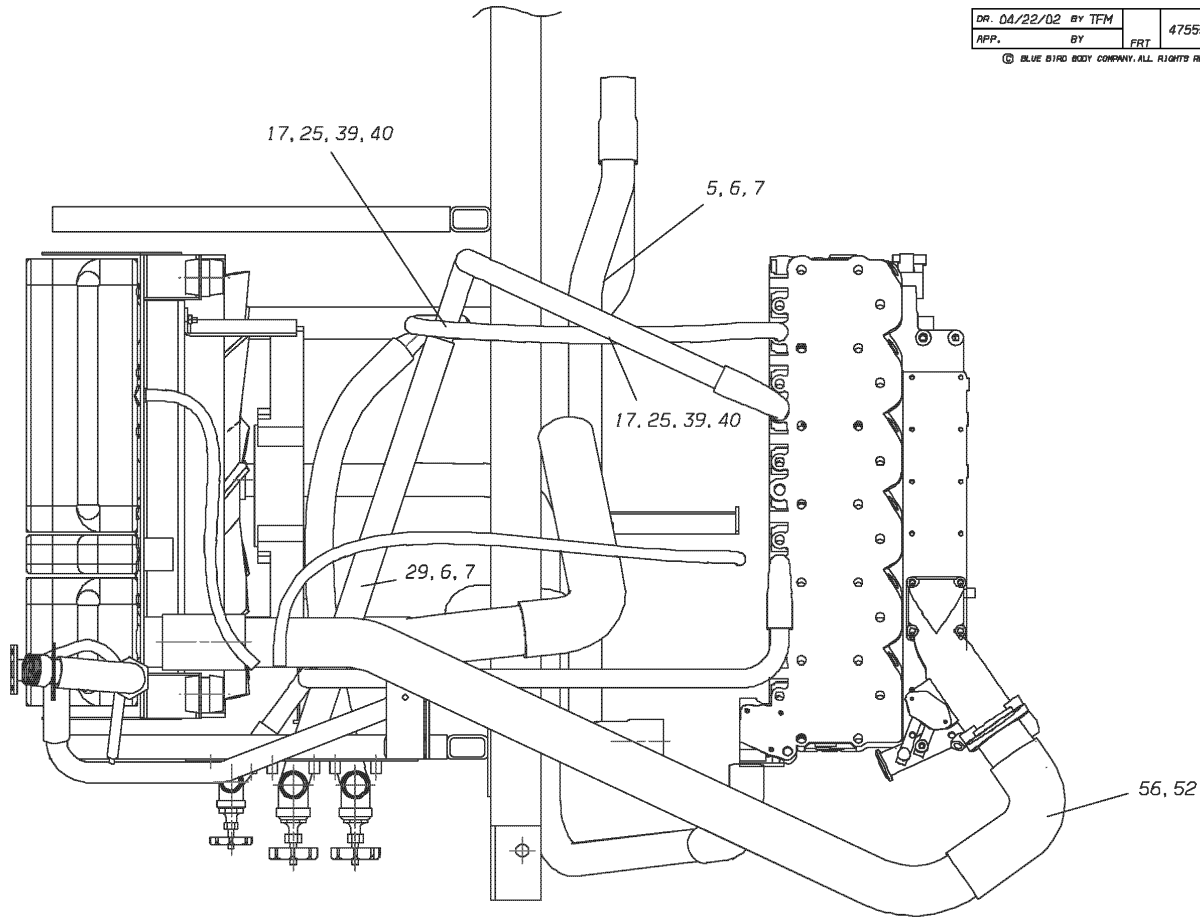


**Models:** L4RE  
**ENGINE**  
**CUMMINS 5.9 ISB**  
**With:** FEATURE 40179-01, -02 WITH 40423-01, -02, 40434-01

| Key | PartNumber | Qty | Description | Comment |
|-----|------------|-----|-------------|---------|
|-----|------------|-----|-------------|---------|

|              |        |          |     |   |
|--------------|--------|----------|-----|---|
| DR. 04/22/02 | BY TFM | 47555573 | A   |  |
| APP.         | BY FRT |          | REV |   |

© BLUE BIRD BODY COMPANY. ALL RIGHTS RESERVED



**Models:** L4RE  
**ENGINE**  
**CUMMINS 5.9 ISB**  
**With:** FEATURE 40179-01, -02 WITH 40423-01, -02, 40434-01

| Key | PartNumber | Qty | Description                              | Comment                                       |
|-----|------------|-----|--|---|
| 1   | 4759316    | 1   | PIPE 2 OD ENGINE TO RADIATOR             |   |
| 2   | 4759266    | 1   | HOSE 2-1.77 ID 90 DEG REDUCER            |   |
| 3   | 4759260    | 2   | HOSE 2.25-2 ID REDUCER                   |   |
| 4   | 1894807    | 17  | CLAMP,CONSTANT TORQUE,1-3/4 TO 2-5/8 DIA |   |
| 5   | 1107937    | 7   | CLAMP,LOOP,2.00                          |   |
| 6   | 0882803    | 10  | CAPSCREW,HEX HD,3/8-16,X,1,,GR5,YELDICH  |   |
| 7   | 0543934    | 9   | NUT,HEX HD,3/8-16,ZINC,LG FLG LK,YEL     |   |
| 8   | 4759317    | 1   | PIPE 2 OD RADIATOR TO TRANSMISSION       | FEATURE 40423-02. B300/ B300R<br>TRANSMISSION |
| 8   | 4759525    | 1   | PIPE 2 OD RAD TO TRANSMISSION COOLER     | FEATURE 40434-01. LT2000<br>TRANSMISSION      |
| 9   | 4752704    | 2   | HOSE 2-1.75 ID REDUCER                   |   |
| 10  | 4759318    | 1   | PIPE 2 OD TRANSMISSION COOLER TO ENGINE  | FEATURE 40423-01, -02. B300/<br>B300R         |
| 10  | 4759526    | 1   | PIPE 2 OD TRANS COOLER TO ENGINE         | FEATURE 40434-01. LT2000<br>TRANSMISSION      |
| 11  | 4759259    | 1   | HOSE 2 ID 90 DEG                         |   |
| 12  | 4760249    | 1   | BRACKET ASSY COOLING PIPES SUPPORT       |   |
| 13  | 4759446    | 2   | WATER LINE CONNECTOR 1/2 NPT- 3/4 PIPE   |   |
| 14  | 4759447    | 1   | HOSE 90 DEG ELBOW REDUCER 1 3/8- 3/4 ID  |   |
| 15  | 4759371    | 2   | HOSE 1 3/8 ID X 39.4 LONG                |   |
| 16  | 4759374    | 2   | VALVE GATE SOLDER 35 (1-1/4)             |   |
| 17  | 0948141    | 6   | CLAMP,LOOP,1.312                         |   |
| 18  | 1032283    | 6   | CAPSCREW,HEX HD,5/16-18,X,3/4,GR5,       |   |
| 19  | 4760232    | 1   | PIPE HEATER FEED 1-3/8 OD                |   |
| 20  | 4759448    | 4   | PIPE COPPER, 35MM, OD BEADED             |   |

**Models:** L4RE  
**ENGINE**  
**CUMMINS 5.9 ISB**  
**With:** FEATURE 40179-01, -02 WITH 40423-01, -02, 40434-01

| Key | PartNumber | Qty | Description                              | Comment |
|-----|------------|-----|--|---------|
| 21  | 4759449    | 1   | HOSE 90 DEG ELBOW REDUCER 1 1/8- 3/4 ID  |         |
| 22  | 4759372    | 1   | HOSE 1-1/8 ID X 78.75 LONG               |         |
| 23  | 4759375    | 1   | VALVE GATE SOLDER 28 (1)                 |         |
| 24  | 1894799    | 7   | CLAMP,CONSTANT TORQUE,13/16 TO 1-1/2 DIA |         |
| 25  | 1517168    | 5   | CLAMP,LOOP,.937                          |         |
| 26  | 4758983    | 1   | BOSS WELDED 5/16-18                      |         |
| 27  | 4760233    | 1   | HOSE 90 DEG ELBOW 1-1/8 ID               |         |
| 28  | 4759450    | 2   | PIPE COPPER, 28MM, OD BEADED             |         |
| 29  | 0020687    | 3   | CLAMP,LOOP,1.75                          |         |
| 30  | 4759113    | 1   | TANK,EXPANSION,WITH CAPS                 |         |
| 31  | 4759370    | 1   | HOSE 3/8 ID X 39.4 LONG                  |         |
| 32  | 4759741    | 1   | HOSE 3/8" ID X 19.7" LONG                |         |
| 32  | 4759368    | 2   | HOSE 1-1/4 ID 90 DEG                     |         |
| 33  | 4759454    | 1   | CONNECTOR MALE MINIBARB                  |         |
| 34  | 0009484    | 8   | CLAMP,HOSE,CONSTANT TORQUE,9/16TO1       |         |
| 35  | 0016749    | 6   | CLAMP,CONSTANT TORQUE, 1 1/16 X 2.00,    |         |
| 36  | 4760177    | 1   | HOSE 1-1/2 ID 105 DEG ELBOW              |         |
| 37  | 1225598    | 2   | CLAMP,LOOP,1.25                          |         |
| 38  | 4759369    | 1   | PIPE,EXPANSION TANK,1-1/4 IN OD          |         |
| 39  | 0989145    | 3   | CAPSCREW,HEX HD,5/16-18, X, 1, ,GR5,     |         |
| 40  | 0002811    | 4   | NUT,HEX HD,5/16-18.FLG,LK,NYL INS,YEL ZN |         |
| 41  | 0021926    | 1   | CLAMP,LOOP,.625                          |         |
| 42  | 0008340    | 4   | CLAMP,LOOP,3.00                          |         |

**Models:** L4RE  
**ENGINE**  
**CUMMINS 5.9 ISB**  
**With:** FEATURE 40179-01, -02 WITH 40423-01, -02, 40434-01

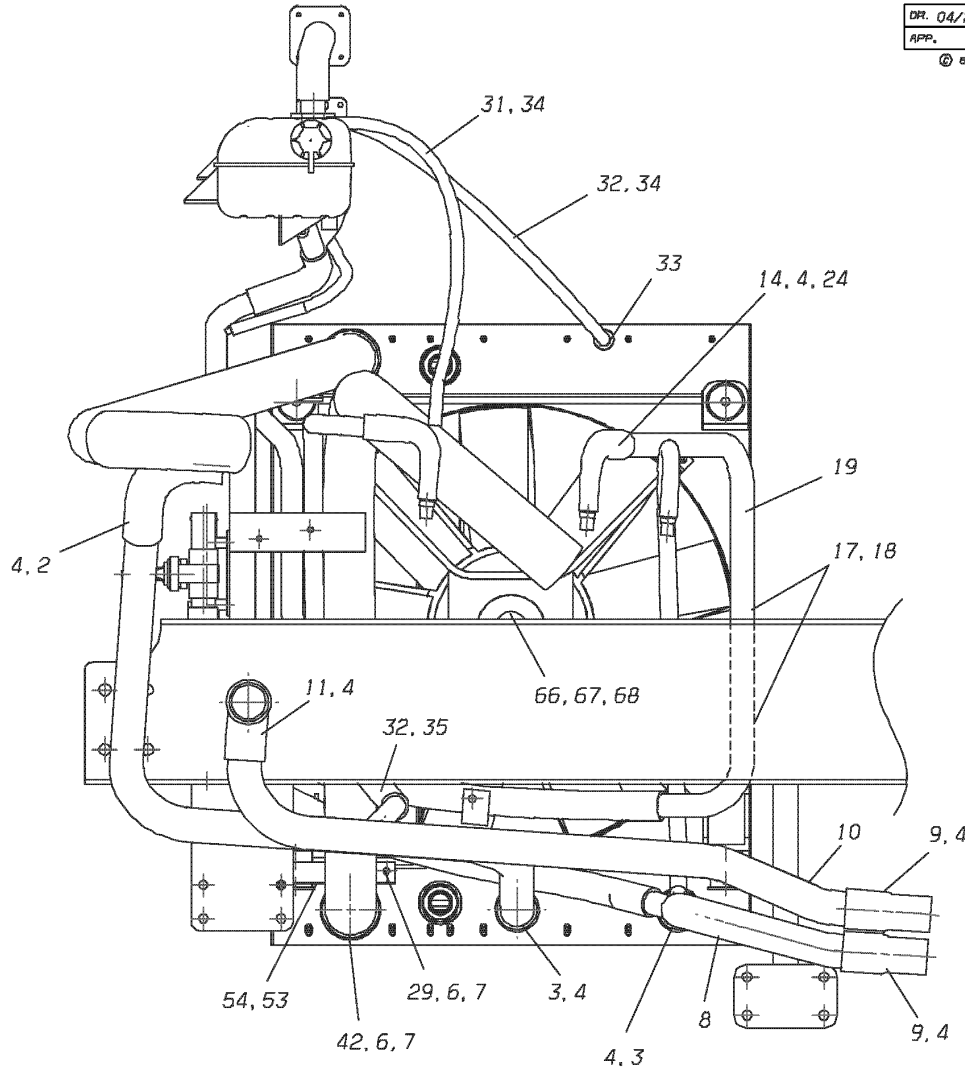
| Key | PartNumber | Qty | Description                            | Comment |
|-----|------------|-----|--|---------|
| 43  | 4760173    | 1   | PIPE FILLER, ADAPTOR ASSY              |         |
| 44  | 4760183    | 1   | PIPE FILLER NECK ASSY                  |         |
| 45  | 4760147    | 1   | GAUGE COOLANT LEVEL                    |         |
| 46  | 4760479    | 1   | WASHER RUBBER SEALING 1-7/8X1-3/8X1/16 |         |
| 47  | 4760471    | 2   | HOSE 5/16 X 15" LONG"                  |         |
| 48  | 1557156    | 1   | CAPSCREW,HX HD,M12-1.75X20,G8.8,       |         |
| 49  | 4759319    | 1   | PIPE 3 OD TURBO TO CAC                 |         |
| 50  | 4759258    | 1   | HOSE 3 ID 90 DEG                       |         |
| 51  | 4759257    | 2   | HOSE 3 ID X 5 LONG                     |         |
| 52  | 1450246    | 8   | CLAMP,SPRING LOADED,3.75 ID,3.56-3.88  |         |
| 53  | 4760490    | 1   | BRACKET ASSY CAC - TURBO MTG           |         |
| 54  | 1532415    | 1   | CAPSCREW,HEX HD,1/2-13 X 3/4,GR 5,     |         |
| 55  | 4759320    | 1   | PIPE 3 OD CAC TO INTAKE MANIFOLD       |         |
| 56  | 4759261    | 1   | HOSE,SILICONE,3 ID 90 DEG              |         |
| 57  | 0616037    | 1   | CAPSCREW,HEX HD,5/16-18X1 1/2,GR5,     |         |
| 58  | 4759451    | 1   | HOSE 5/8 ID X 78.75 LONG               |         |
| 59  | 4759452    | 1   | WATER LINE CONNECTOR 1/2 NPT- 5/8 PIPE |         |
| 60  | 4752115    | 1   | RADIATOR COOLING PACK ASSY             |         |
| 61  | 4759400    | 1   | IMPELLOR COOLING PACK                  |         |
| 62  | 4759401    | 2   | MOUNT VIBRATION LORD COOLING PACK TOP  |         |
| 63  | 4759401    | 2   | MOUNT VIBRATION LORD COOLING PACK TOP  |         |
| 64  | 1421775    | 4   | CAPSCREW,HEX FLG,M12-1.75 X 80,10.9    |         |
| 65  | 2077014    | 4   | NUT,HEX HD,M12-1.75,FLANGED,YEL DICH   |         |


**Models:** L4RE  
ENGINE  
CUMMINS 5.9 ISB  
**With:** FEATURE 40179-01, -02 WITH 40423-01, -02, 40434-01


| Key | PartNumber | Qty | Description                          | Comment |
|-----|------------|-----|--------------------------------------|---------|
| 66  | 4759583    | 1   | NUT 5/8 UNF CASTLEATED               |         |
| 67  | 4759584    | 1   | WASHER 5/8 X 30MM OD                 |         |
| 68  | 4759585    | 1   | SPLIT PIN 1/8 X 1 1/2                |         |
| 69  | 2171809    | 5   | NUT,HEX HD,3/8-16,ZINC,SM FLG LK,YEL |         |

**Models:** L4RE  
**ENGINE**  
**CUMMINS 5.9 ISB**  
**With:** FEATURE 40179-01, -02 WITH 40423-01, -02, 40434-01

| Key | PartNumber | Qty | Description | Comment |
|-----|------------|-----|-------------|---------|
|-----|------------|-----|-------------|---------|



|              |        |         |     |   |
|--------------|--------|---------|-----|---|
| DR. 04/22/02 | BY TFM | 4755574 | A   |  |
| APP.         | BY     | FRT     | REV |   |

© BLUE BIRD BODY COMPANY. ALL RIGHTS RESERVED. 

**Models:** L4RE  
**ENGINE**  
**CUMMINS 5.9 ISB**  
**With:** FEATURE 40179-01, -02 WITH 40423-01, -02, 40434-01

| Key | PartNumber | Qty | Description                              | Comment   |
|-----|------------|-----|--|---|
| 1   | 4759316    | 1   | PIPE 2 OD ENGINE TO RADIATOR             |   |
| 2   | 4759266    | 1   | HOSE 2-1.77 ID 90 DEG REDUCER            |   |
| 3   | 4759260    | 2   | HOSE 2.25-2 ID REDUCER                   |   |
| 4   | 1894807    | 17  | CLAMP,CONSTANT TORQUE,1-3/4 TO 2-5/8 DIA |   |
| 5   | 1107937    | 7   | CLAMP,LOOP,2.00                          |   |
| 6   | 0882803    | 10  | CAPSCREW,HEX HD,3/8-16,X,1,,GR5,YELDICH  |   |
| 7   | 0543934    | 9   | NUT,HEX HD,3/8-16,ZINC,LG FLG LK,YEL     |   |
| 8   | 4759317    | 1   | PIPE 2 OD RADIATOR TO TRANSMISSION       | <i>FEATURE 40423-02. B300/ B300R TRANSMISSION</i> |
| 8   | 4759525    | 1   | PIPE 2 OD RAD TO TRANSMISSION COOLER     | <i>FEATURE 40434-01. LT2000 TRANSMISSION</i>      |
| 9   | 4752704    | 2   | HOSE 2-1.75 ID REDUCER                   |   |
| 10  | 4759318    | 1   | PIPE 2 OD TRANSMISSION COOLER TO ENGINE  | <i>FEATURE 40423-01, -02. B300/ B300R</i>         |
| 10  | 4759526    | 1   | PIPE 2 OD TRANS COOLER TO ENGINE         | <i>FEATURE 40434-01. LT2000 TRANSMISSION</i>      |
| 11  | 4759259    | 1   | HOSE 2 ID 90 DEG                         |   |
| 12  | 4760249    | 1   | BRACKET ASSY COOLING PIPES SUPPORT       |   |
| 13  | 4759446    | 2   | WATER LINE CONNECTOR 1/2 NPT- 3/4 PIPE   |   |
| 14  | 4759447    | 1   | HOSE 90 DEG ELBOW REDUCER 1 3/8- 3/4 ID  |   |
| 15  | 4759371    | 2   | HOSE 1 3/8 ID X 39.4 LONG                |   |
| 16  | 4759374    | 2   | VALVE GATE SOLDER 35 (1-1/4)             |   |
| 17  | 0948141    | 6   | CLAMP,LOOP,1.312                         |   |
| 18  | 1032283    | 6   | CAPSCREW,HEX HD,5/16-18,X,3/4,GR5,       |   |
| 19  | 4760232    | 1   | PIPE HEATER FEED 1-3/8 OD                |   |
| 20  | 4759448    | 4   | PIPE COPPER, 35MM, OD BEADED             |   |

**Models: L4RE  
ENGINE  
CUMMINS 5.9 ISB**  
**With: FEATURE 40179-01, -02 WITH 40423-01, -02, 40434-01**

| Key | PartNumber | Qty | Description                              | Comment |
|-----|------------|-----|--|---------|
| 21  | 4759449    | 1   | HOSE 90 DEG ELBOW REDUCER 1 1/8- 3/4 ID  |         |
| 22  | 4759372    | 1   | HOSE 1-1/8 ID X 78.75 LONG               |         |
| 23  | 4759375    | 1   | VALVE GATE SOLDER 28 (1)                 |         |
| 24  | 1894799    | 7   | CLAMP,CONSTANT TORQUE,13/16 TO 1-1/2 DIA |         |
| 25  | 1517168    | 5   | CLAMP,LOOP,.937                          |         |
| 26  | 4758983    | 1   | BOSS WELDED 5/16-18                      |         |
| 27  | 4760233    | 1   | HOSE 90 DEG ELBOW 1-1/8 ID               |         |
| 28  | 4759450    | 2   | PIPE COPPER, 28MM, OD BEADED             |         |
| 29  | 0020687    | 3   | CLAMP,LOOP,1.75                          |         |
| 30  | 4759113    | 1   | TANK,EXPANSION,WITH CAPS                 |         |
| 31  | 4759370    | 1   | HOSE 3/8 ID X 39.4 LONG                  |         |
| 32  | 4759741    | 1   | HOSE 3/8" ID X 19.7" LONG                |         |
| 32  | 4759368    | 2   | HOSE 1-1/4 ID 90 DEG                     |         |
| 33  | 4759454    | 1   | CONNECTOR MALE MINIBARB                  |         |
| 34  | 0009484    | 8   | CLAMP,HOSE,CONSTANT TORQUE,9/16TO1       |         |
| 35  | 0016749    | 6   | CLAMP,CONSTANT TORQUE, 1 1/16 X 2.00,    |         |
| 36  | 4760177    | 1   | HOSE 1-1/2 ID 105 DEG ELBOW              |         |
| 37  | 1225598    | 2   | CLAMP,LOOP,1.25                          |         |
| 38  | 4759369    | 1   | PIPE,EXPANSION TANK,1-1/4 IN OD          |         |
| 39  | 0989145    | 3   | CAPSCREW,HEX HD,5/16-18, X, 1, ,GR5,     |         |
| 40  | 0002811    | 4   | NUT,HEX HD,5/16-18.FLG,LK,NYL INS,YEL ZN |         |
| 41  | 0021926    | 1   | CLAMP,LOOP,.625                          |         |
| 42  | 0008340    | 4   | CLAMP,LOOP,3.00                          |         |



**Models:** L4RE  
**ENGINE**  
**CUMMINS 5.9 ISB**  
**With:** FEATURE 40179-01, -02 WITH 40423-01, -02, 40434-01

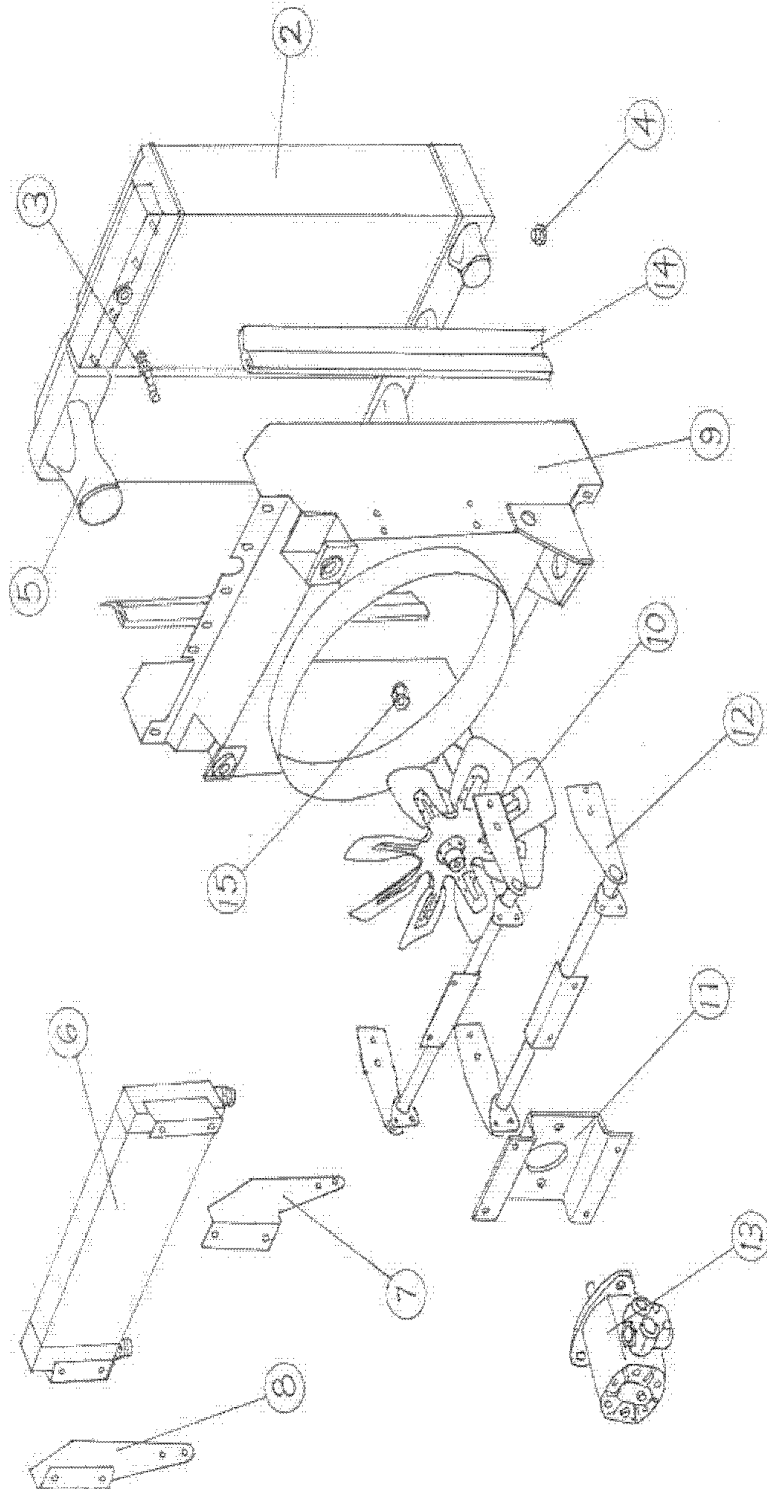
| Key | PartNumber | Qty | Description                            | Comment |
|-----|------------|-----|--|---------|
| 43  | 4760173    | 1   | PIPE FILLER, ADAPTOR ASSY              |         |
| 44  | 4760183    | 1   | PIPE FILLER NECK ASSY                  |         |
| 45  | 4760147    | 1   | GAUGE COOLANT LEVEL                    |         |
| 46  | 4760479    | 1   | WASHER RUBBER SEALING 1-7/8X1-3/8X1/16 |         |
| 47  | 4760471    | 2   | HOSE 5/16 X 15" LONG"                  |         |
| 48  | 1557156    | 1   | CAPSCREW,HX HD,M12-1.75X20,G8.8,       |         |
| 49  | 4759319    | 1   | PIPE 3 OD TURBO TO CAC                 |         |
| 50  | 4759258    | 1   | HOSE 3 ID 90 DEG                       |         |
| 51  | 4759257    | 2   | HOSE 3 ID X 5 LONG                     |         |
| 52  | 1450246    | 8   | CLAMP,SPRING LOADED,3.75 ID,3.56-3.88  |         |
| 53  | 4760490    | 1   | BRACKET ASSY CAC - TURBO MTG           |         |
| 54  | 1532415    | 1   | CAPSCREW,HEX HD,1/2-13 X 3/4,GR 5,     |         |
| 55  | 4759320    | 1   | PIPE 3 OD CAC TO INTAKE MANIFOLD       |         |
| 56  | 4759261    | 1   | HOSE,SILICONE,3 ID 90 DEG              |         |
| 57  | 0616037    | 1   | CAPSCREW,HEX HD,5/16-18X1 1/2,GR5,     |         |
| 58  | 4759451    | 1   | HOSE 5/8 ID X 78.75 LONG               |         |
| 59  | 4759452    | 1   | WATER LINE CONNECTOR 1/2 NPT- 5/8 PIPE |         |
| 60  | 4752115    | 1   | RADIATOR COOLING PACK ASSY             |         |
| 61  | 4759400    | 1   | IMPELLOR COOLING PACK                  |         |
| 62  | 4759401    | 2   | MOUNT VIBRATION LORD COOLING PACK TOP  |         |
| 63  | 4759401    | 2   | MOUNT VIBRATION LORD COOLING PACK TOP  |         |
| 64  | 1421775    | 4   | CAPSCREW,HEX FLG,M12-1.75 X 80,10.9    |         |
| 65  | 2077014    | 4   | NUT,HEX HD,M12-1.75,FLANGED,YEL DICH   |         |

**Models:** L4RE  
ENGINE  
CUMMINS 5.9 ISB  
**With:** FEATURE 40179-01, -02 WITH 40423-01, -02, 40434-01

| Key | PartNumber | Qty | Description                          | Comment |
|-----|------------|-----|--------------------------------------|---------|
| 66  | 4759583    | 1   | NUT 5/8 UNF CASTLEATED               |         |
| 67  | 4759584    | 1   | WASHER 5/8 X 30MM OD                 |         |
| 68  | 4759585    | 1   | SPLIT PIN 1/8 X 1 1/2                |         |
| 69  | 2171809    | 5   | NUT,HEX HD,3/8-16,ZINC,SM FLG LK,YEL |         |

**Models:** L4RE  
**ENGINE**  
**CUMMINS 5.9 ISB**  
**COOLING PACK, BREAKDOWN**  
**With:** FEATURE 40179-01, -02 WITH 40423-01, -02, 40434-01

| Key | PartNumber | Qty | Description | Comment |
|-----|------------|-----|-------------|---------|
|-----|------------|-----|-------------|---------|



4761008

**Models:** L4RE  
**ENGINE**  
**CUMMINS 5.9 ISB**  
**COOLING PACK, BREAKDOWN**  
**With:** FEATURE 40179-01, -02 WITH 40423-01, -02, 40434-01

| Key | PartNumber | Qty | Description                        | Comment                        |
|-----|------------|-----|------------------------------------|--------------------------------|
| 1   | 0066515    | 1   | RADIATOR,ENG,COOLING,L4RE"         | <i>RADIATOR ONLY.</i>          |
| 2   | 0066516    | 1   | HOSE,COOLING,L4RE                  |                                |
| 3   | 0066517    | 1   | PLUG,DRAIN,RADIATOR,L4RE           |                                |
| 4   | 0066523    | 1   | COOLER,CHARGE AIR COOLER,L4RE      | <i>CHARGE AIR COOLER ONLY.</i> |
| 5   | 0066524    | 1   | COOLER,OIL,HYDRAULIC,L4RE          |                                |
| 6   | 0066525    | 1   | BRACKET,OIL COOLER,LH,L4RE         |                                |
| 7   | 0066526    | 1   | BRACKET,OIL COOLER,RH.L4RE         |                                |
| 8   | 0066527    | 1   | COWL,FAN,L4RE                      |                                |
| 9   | 0066530    | 1   | FAN,RADIATOR,L4RE                  |                                |
| 10  | 0066532    | 1   | BRACKET,MOUNTING,FAN,RADIATOR,L4RE |                                |
| 11  | 0066534    | 1   | ARM,COOLING,SPIDER ASSY,L4RE       |                                |
| 12  | 0066537    | 1   | MOTOR,FAN,L4RE                     |                                |
| 13  | 0066538    | 1   | SEAL,RUBBER,L4RE                   |                                |
| 14  | 0066541    | 1   | NUT,STFNR,5/8,L4RE                 |                                |