

Chassis**050 Driveline**


1550 SERIES

CAT, CUMMINS ISB, B300, B300R, 2000

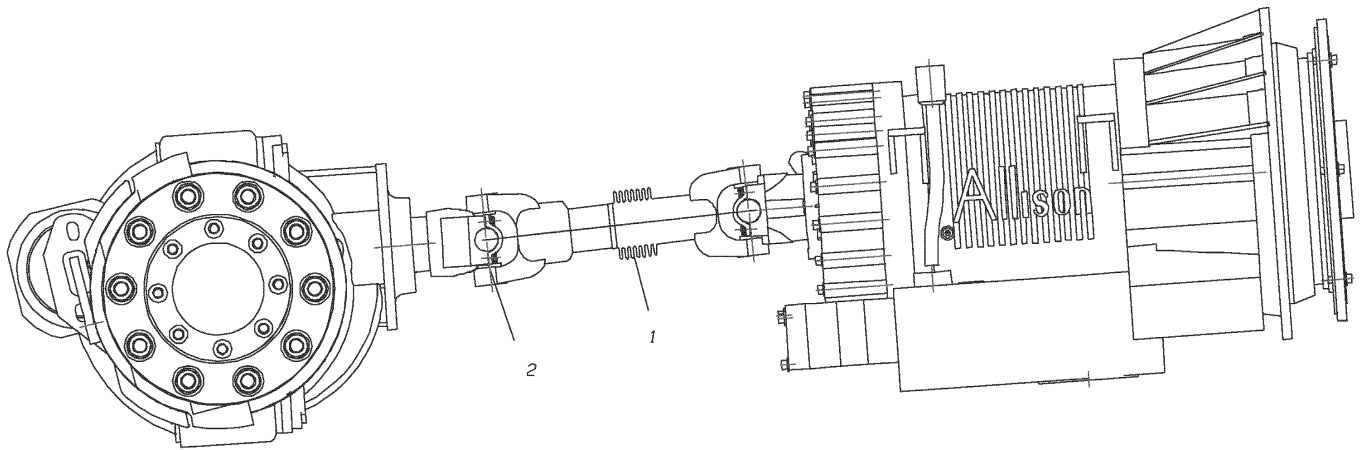
1

Models: **L4RE**
1550 SERIES
CAT, CUMMINS ISB, B300, B300R, 2000

Key	PartNumber	Qty	Description	Comment
-----	------------	-----	-------------	---------

DR. 4-15-02	BY MC	4754551	A	
APP.	BY FRT		REV	

© BLUE BIRD BODY COMPANY. ALL RIGHTS RESERVED



**Models: L4RE
1550 SERIES
CAT, CUMMINS ISB, B300, B300R, 2000**

Key	PartNumber	Qty	Description	Comment
1	4752114	1	DRIVESHAFT TRANSMISSION DANA SPICER	
NI	0052351	2	UNIVERSAL JOINT,L4RE	
NI	4755605	1	REAR AXLE RS21 145 DISC, 4_1 RATIO	<i>DRIVE AXLE</i>
NI	4752124	1	TRANSMISSION,LCT2000,TC211,A/T	<i>LCT2000 TRANS</i>
NI	4754396	1	STRAP & BOLT KIT DANA SPL70	<i>B300R TRANS</i>
2	4754396	4	STRAP & BOLT KIT DANA SPL70	
NI	1536069	1	STRAP,PROP SHAFT GUARD	
NI	4758675	2	BOLT 3/8-16 UNC 1L G8 HEX HD FLG	
NI	2171809	2	NUT,HEX HD,3/8-16,ZINC,SM FLG LK,YEL	