

Chassis

060 Engine Trim

AIR INTAKE
CNG

CUMMINS 5.9 ISB 1

With: FEATURE 40179-01,-02 2

ALTERNATOR

With: FEATURE 40133-06 3

BOX ASSY, REAR CONTROL

4

CHART, AIR CONDITIONER PARTS
CARRIER

With: FEATURE 38102-13 5

With: FEATURE 38102-14 6

CUMMINS B GAS +
200 AMP ALTERNATOR

With: FEATURE 40134-01 7

CUMMINS BG CNG
ENGINE MOUNTING

8

CUMMINS ISB
FEATURE 40179-01,-02

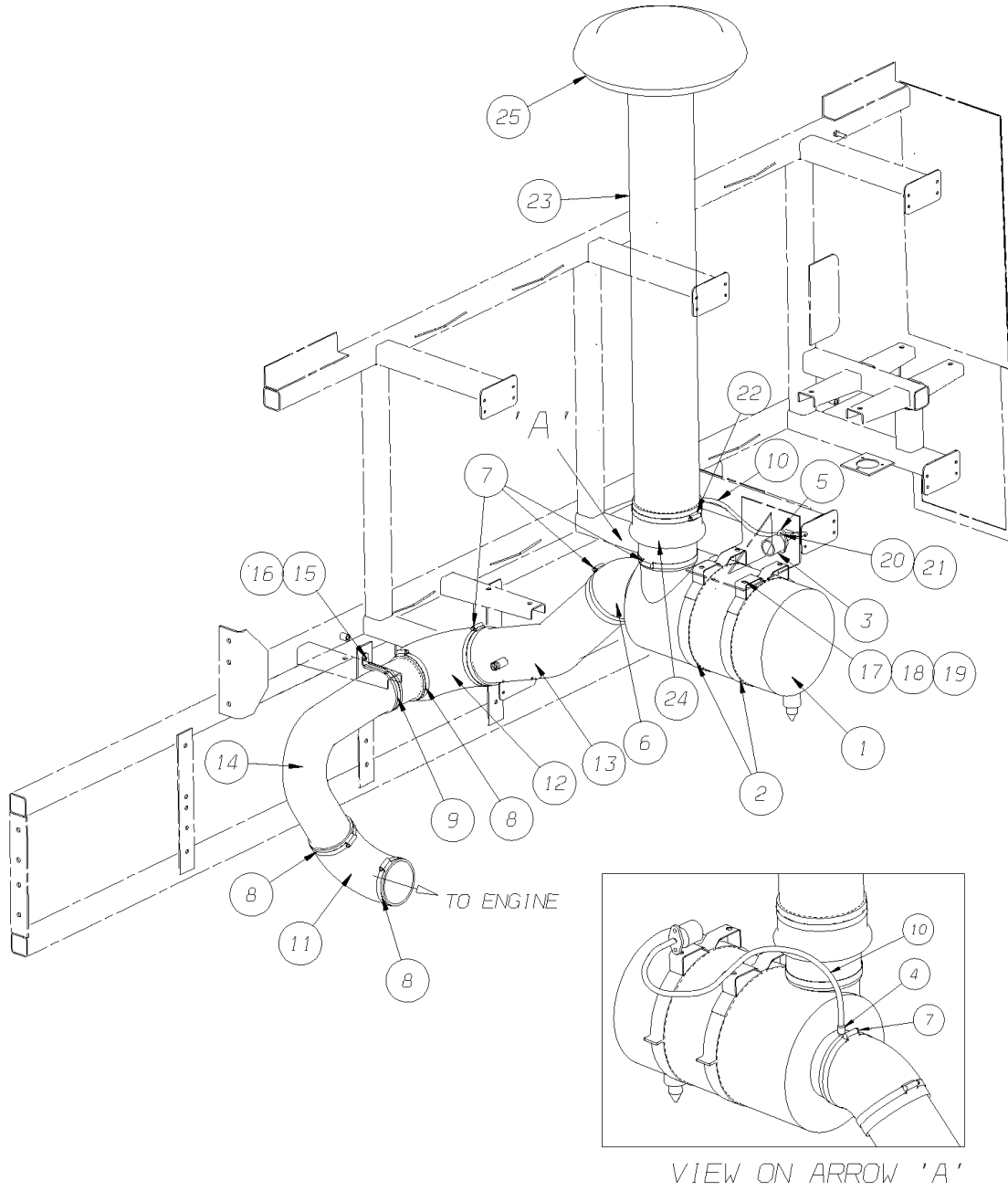
9

CUMMINS ISB O2
200 AMP ALTERNATOR

With: FEATURE 40134-01 10

Models: L4RE
AIR INTAKE
CNG

| Key | PartNumber | Qty | Description | Comment |
|-----|------------|-----|-------------|---------|
|-----|------------|-----|-------------|---------|



Models: L4RE
AIR INTAKE
CNG

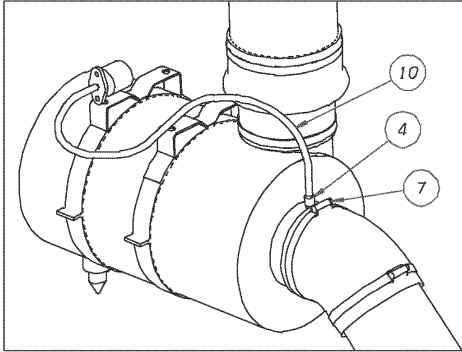
| Key | PartNumber | Qty | Description | Comment |
|-----|------------|-----|--|---------|
| 1 | 4752082 | | AIR CLEANER | |
| 2 | 4752083 | | STRAP MOUNTING AIR CLEANER | |
| 3 | 4752084 | | RESTRICTION INDICATOR | |
| 4 | 4752085 | | ADAPTER INDICATOR | |
| 5 | 4752086 | | PLATE INDICATOR MTG | |
| 6 | 4752087 | | ELBOW RUBBER 5 45 DEG | |
| 7 | 4752090 | | CLAMP HOSE 5 | |
| 8 | 4752091 | | CLAMP HOSE 4 | |
| 9 | 4754214 | | CLAMP 4 INCH | |
| 10 | 4754219 | | PIPE RESTRICTION INDICATOR | |
| 11 | 4758770 | | ELBOW RUBBER 4 90 DEG | |
| 12 | 4758771 | | ELBOW RUBBER 5-4 90 DEG | |
| 13 | 0066027 | | PIPE,AIR INTAKE,5 IN OD,CNG | |
| 14 | 4758773 | | PIPE AIR INTAKE 4 STEEL | |
| 15 | 0971739 | | CAPSCREW,HX HD,M8-1.25X20,CL 8.8, | |
| 16 | 2001188 | | LOCKWASHER,SPLIT RING, 5/16,MED,YEL ZN | |
| 17 | 0997742 | | CAPSCREW,HX HD,M10-1.5X25,CL10.9, | |
| 18 | 1468263 | | NUT,HEX HD,M10-1.50,YELLOW DICHROMATE | |
| 19 | 1107085 | | WASHER,FLAT,13/32 X 13/16 X 3/32,HDN,BLK | |
| 20 | 1788454 | | CAPSCREW,HX HD,M6-1 X 20,CL 10.9, | |
| 21 | 1529254 | | NUT,HEX HD,M6-1.0, LOCKING | |
| 22 | 4760881 | | CLAMP,HOSE,6 IN | |
| 23 | 4760882 | | PIPE,6 IN,AIR INTAKE | |

Models: L4RE
AIR INTAKE
CNG

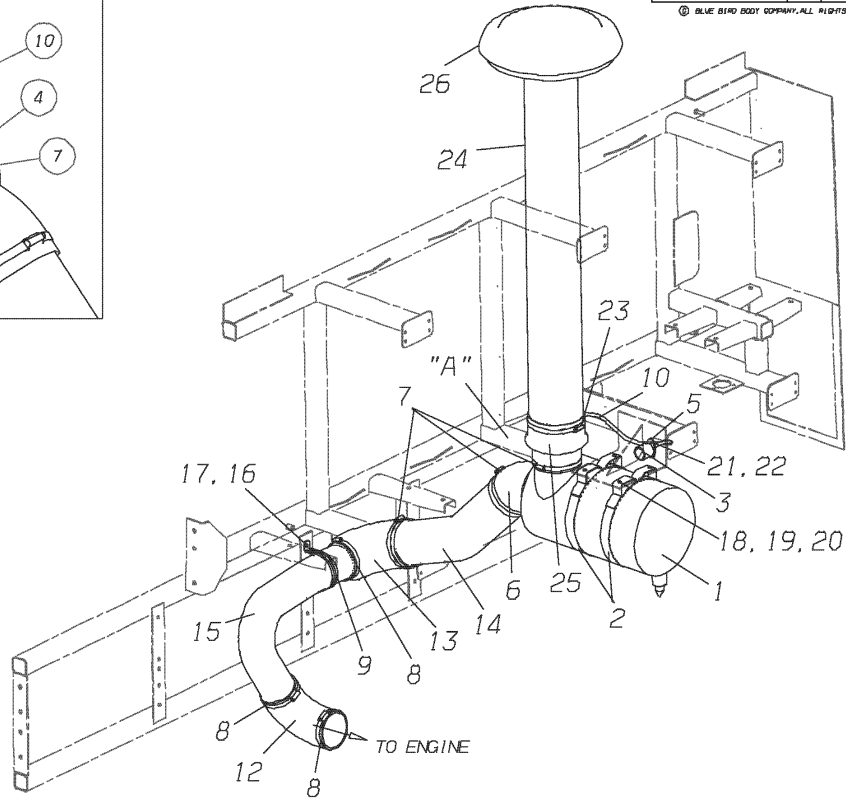
| Key | PartNumber | Qty | Description | Comment |
|-----|------------|-----|--------------------------|---------|
| 24 | 4760883 | | HOSE,HUMP,REDUCER 6-5 IN | |
| 25 | 4760884 | | CAP,RAIN,ASSY | |


Models: L4RE
AIR INTAKE
CUMMINS 5.9 ISB
With: FEATURE 40179-01,-02

| Key | PartNumber | Qty | Description | Comment |
|-----|------------|-----|-------------|---------|
|-----|------------|-----|-------------|---------|



DETAIL "A"



| | | | | |
|--------------|--------|---------|-----|---|
| DR. 11/20/02 | BY TFM | 4755841 | B |  |
| APP. | BY | PRT | REV | |

© BLUE BIRD BODY COMPANY, ALL RIGHTS RESERVED

Models: L4RE
AIR INTAKE
CUMMINS 5.9 ISB
With: FEATURE 40179-01,-02

| Key | PartNumber | Qty | Description | Comment |
|-----|------------|-----|--|---------|
| 1 | 4752082 | 1 | AIR CLEANER | |
| 1 | 0064219 | 1 | FILTER,AIR,CLEANER | |
| 2 | 4752083 | 2 | STRAP MOUNTING AIR CLEANER | |
| 3 | 4752084 | 1 | RESTRICTION INDICATOR | |
| 4 | 4752085 | 1 | ADAPTER INDICATOR | |
| 5 | 4752086 | 1 | PLATE INDICATOR MTG | |
| 6 | 4752087 | 1 | ELBOW RUBBER 5 45 DEG | |
| 7 | 4752090 | 5 | CLAMP HOSE 5 | |
| 8 | 4752091 | 3 | CLAMP HOSE 4 | |
| 9 | 4754214 | 1 | CLAMP 4 INCH | |
| 10 | 4754219 | 1 | PIPE RESTRICTION INDICATOR | |
| 12 | 4758770 | 1 | ELBOW RUBBER 4 90 DEG | |
| 13 | 4758771 | 1 | ELBOW RUBBER 5-4 90 DEG | |
| 14 | 4758772 | 1 | PIPE AIR INTAKE 5 STEEL | |
| 15 | 4758773 | 1 | PIPE AIR INTAKE 4 STEEL | |
| 16 | 0971739 | 2 | CAPSCREW,HX HD,M8-1.25X20,CL 8.8, | |
| 17 | 2001188 | 2 | LOCKWASHER,SPLIT RING, 5/16,MED,YEL ZN | |
| 18 | 0997742 | 4 | CAPSCREW,HX HD,M10-1.5X25,CL10.9, | |
| 19 | 1468263 | 4 | NUT,HEX HD,M10-1.50,YELLOW DICHROMATE | |
| 20 | 1107085 | 4 | WASHER,FLAT,13/32 X 13/16 X 3/32,HDN,BLK | |
| 21 | 1788454 | 2 | CAPSCREW,HX HD,M6-1 X 20,CL 10.9, | |
| 22 | 1529254 | 2 | NUT,HEX HD,M6-1.0, LOCKING | |
| 23 | 4760881 | 1 | CLAMP,HOSE,6 IN | |

Models: L4RE
AIR INTAKE
CUMMINS 5.9 ISB
With: FEATURE 40179-01,-02


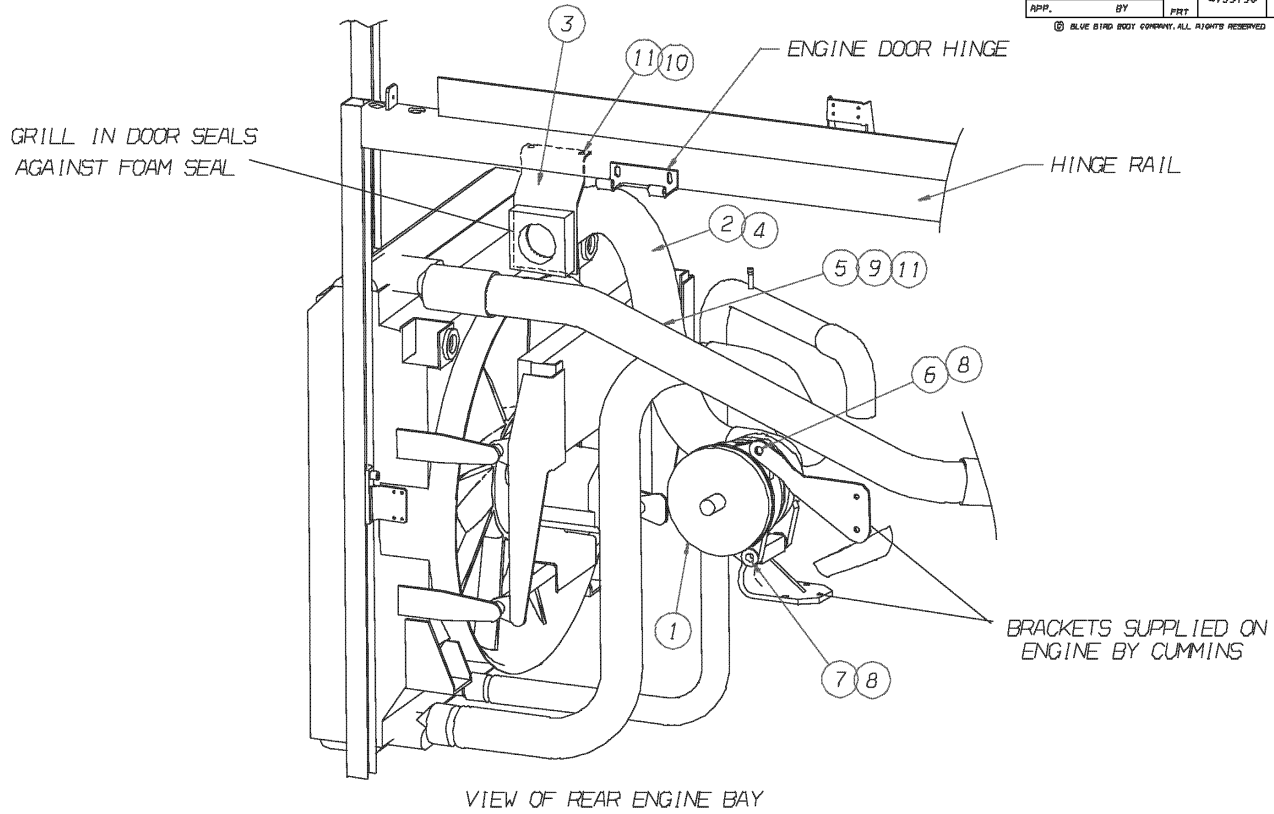
| Key | PartNumber | Qty | Description | Comment |
|-----|------------|-----|--------------------------|---------|
| 24 | 4760882 | 1 | PIPE,6 IN,AIR INTAKE | |
| 25 | 4760883 | 1 | HOSE,HUMP,REDUCER 6-5 IN | |
| 26 | 4760884 | 1 | CAP,RAIN,ASSY | |

Models: L4RE
With: ALTERNATOR
 FEATURE 40133-06

| Key | PartNumber | Qty | Description | Comment |
|-----|------------|-----|-------------|---------|
|-----|------------|-----|-------------|---------|

| | | |
|---------------------|---------|------|
| DR. 11/20/02 BY TFM | 4759790 | A |
| APP. BY | PREP. | REV. |

© BLUE BIRD BODY COMPANY. ALL RIGHTS RESERVED

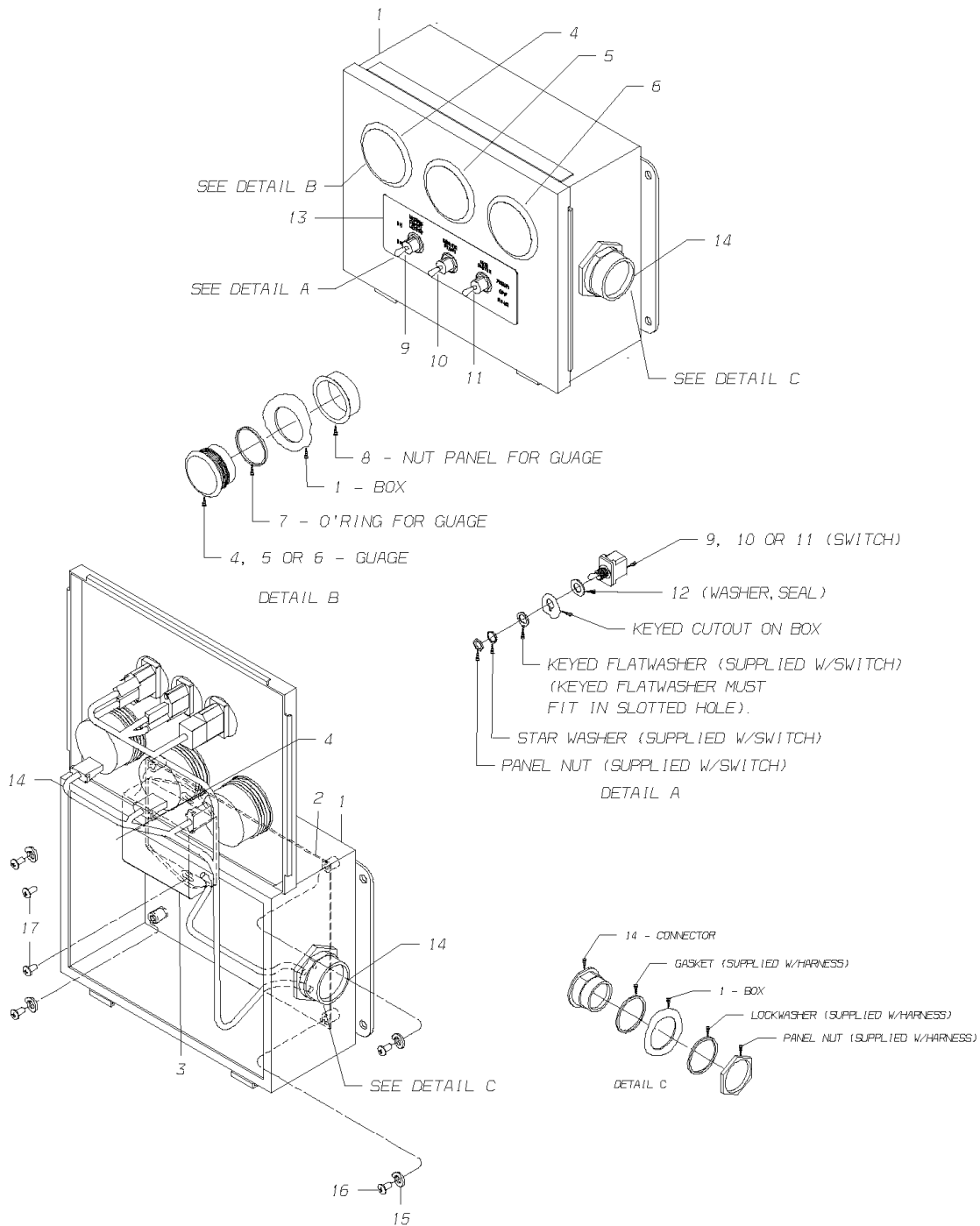



Models: L4RE
With: ALTERNATOR
FEATURE 40133-06

| Key | PartNumber | Qty | Description | Comment |
|-----|------------|-----|--|---------|
| 1 | 4758762 | 1 | ALTERNATOR,ENG,L-N,140A,24V | |
| NI | 0052152 | 1 | BELT,FAN DRIVE/ALT,ISB,L4RE | |
| 2 | 4761287 | 1 | HOSE,AIR INTAKE,ALTERNATOR | |
| 3 | 4761288 | 1 | BRACKET,ASSY,INTAKE CONNECTION | |
| 4 | 4761291 | 2 | CLAMP,HOSE,3 IN | |
| 5 | 0008340 | 2 | CLAMP,LOOP,3.00 | |
| 6 | 4759692 | 1 | BOLT HEX HD M16X2 X50 GR10.9 | |
| 7 | 4759691 | 1 | BOLT M16-2.00 X 180 GRADE 10.9 HEX HD | |
| 8 | 4752570 | 2 | NUT FLANGED HEX HD M16X2 | |
| 9 | 2171809 | 1 | NUT,HEX HD,3/8-16,ZINC,SM FLG LK,YEL | |
| 10 | 0882795 | 2 | LOCKWASHER,SPLIT RING,3/8,MED,YELLOW | |
| 11 | 0802124 | 3 | CAPSCREW,HEX HD,3/8-16X 5/8,GR5,YEL ZN | |

Models: **L4RE**
BOX ASSY, REAR CONTROL

| Key | PartNumber | Qty | Description | Comment |
|-----|------------|-----|-------------|---------|
|-----|------------|-----|-------------|---------|



Models: **L4RE**
BOX ASSY, REAR CONTROL

| Key | PartNumber | Qty | Description | Comment |
|-----|------------|-----|---|---------|
| 1 | 0042774 | | BOX,REAR,CONTROL, C4RE,H4RE | |
| 2 | 0042255 | | PLATE,MTG,ELEC,COMP,RR CONTROL BX,C4RE, | |
| 3 | 0041124 | | GAUGE,CONTROLLER MODULE | |
| 4 | 0036899 | | GAUGE,OIL PRESSURE,DATA LINK,PI | |
| 5 | 0036900 | | GAUGE,COOLANT TEMP,DATA LINK,PI | |
| 6 | 0036901 | | GUAGE,HOURMETER,DATA LINK,PI | |
| 7 | 2545325 | 3 | O-RING,136 | |
| 8 | 0042122 | 3 | RING,MTG,PI,2.375 | |
| 9 | 0004201 | | SWITCH,TOGGLE,DPST,MAINTAINED | |
| 10 | 0004199 | | SWITCH,TOGGLE,SPST,MOMENTARY | |
| 11 | 0044069 | | SWITCH,TOGGLE,DPDS,MAINTAINED,32NT91-1 | |
| 12 | 0039837 | | SEAL,WASHER,.53 ID X 1.50 OD X .08 THK | |
| 13 | 0043086 | | DECAL,REAR,CONTROL,BOX, C4RE,H4RE | |
| 14 | 0048685 | | HARNESS,WRG,REAR,CONTROL,MULTIPLEX, | |
| 15 | 2001162 | 4 | LOCKWASHER,SPLIT RING, 3/16,MED,YEL ZN | |
| 16 | 3754728 | 4 | SCREW,MACH,10-32 X 3/8,PH1,PAN HD, | |
| 17 | 0019061 | 2 | SCREW,10-32 X 1/2,F,PH1,PAN HD,BLACK ZINC | |
| 18 | 0043208 | 2 | BRACE,REAR,CONTROL, C4RE,H4RE | |
| 19 | | | CAPSCREW SUPPLIED BY VENDOR | |
| 20 | | | NUT SUPPLIED BY VENDOR | |

Models: L4RE
CHART, AIR CONDITIONER PARTS
CARRIER
With: FEATURE 38102-13

| Key | PartNumber | Qty | Description | Comment |
|-----|------------|-----|--|---------|
| NI | 4755503 | 1 | AIRCON UNIT AC313-TROPIC | |
| NI | 4759757 | 1 | KIT DEMISTER ASSY | |
| NI | 4758734 | 1 | TEE STEEL | |
| NI | 4758735 | 12 | PIPE AIR 8MM | |
| NI | 4760496 | 1 | PIPE KIT,, HVAC,FRONT L4RE | |
| NI | 4760499 | 1 | PIPE KIT,HVAC,REAR L4RE | |
| NI | 4760251 | 2 | BRACKET,DEFROSTER,MOUNTING | |
| NI | 4760497 | 1 | PIPE KIT,HVAC,ROOF AC313 30FT LFRE | |
| NI | 4755804 | 1 | COMPRESSOR AIRCON CARRIER 05G | |
| NI | 4758720 | 1 | ALTERNATOR,A/C,55 AMP,PRESTOLITE,24-VOLT | |
| NI | 4758721 | 1 | BASEPLATE | |
| NI | 4758722 | 1 | PLATE PIVOT | |
| NI | 4758723 | 1 | BUSH SUSPENSION | |
| NI | 4758724 | 1 | SHAFT PIVOT | |
| NI | 4758725 | 1 | TENSIONER PNEUMATIC | |
| NI | 4758726 | 1 | BRACKET TOP TENSIONER | |
| NI | 4758727 | 1 | BELT DRIVE COMPRESSOR | |
| NI | 0064254 | 1 | PULLEY,IDLER ARM,A/C COMPRESSOR BELT | |
| NI | 4758728 | 1 | FAN ALTERNATOR | |
| NI | 4758729 | 1 | PULLEY ALTERNATOR 90 OD X 2SPA | |
| NI | 4758730 | 1 | BELT DRIVE ALTERNATOR | |
| NI | 4758731 | 1 | BAR TENSIONING ALTERNATOR | |
| NI | 4758732 | 1 | BOLT KIT | |

Models: L4RE
CHART, AIR CONDITIONER PARTS
CARRIER
With: FEATURE 38102-13

| Key | PartNumber | Qty | Description | Comment |
|-----|------------|-----|--------------------|---------|
| NI | 4758733 | 1 | REGULATOR PRESSURE | |

Models: L4RE
CHART, AIR CONDITIONER PARTS CARRIER
With: FEATURE 38102-14

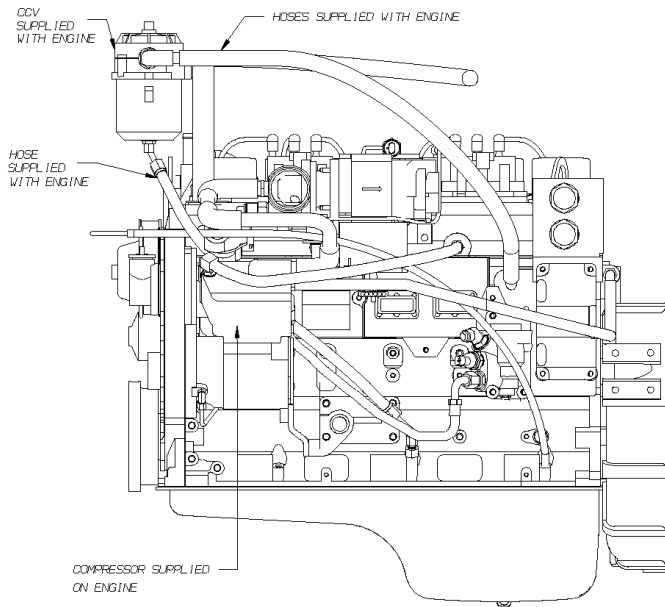
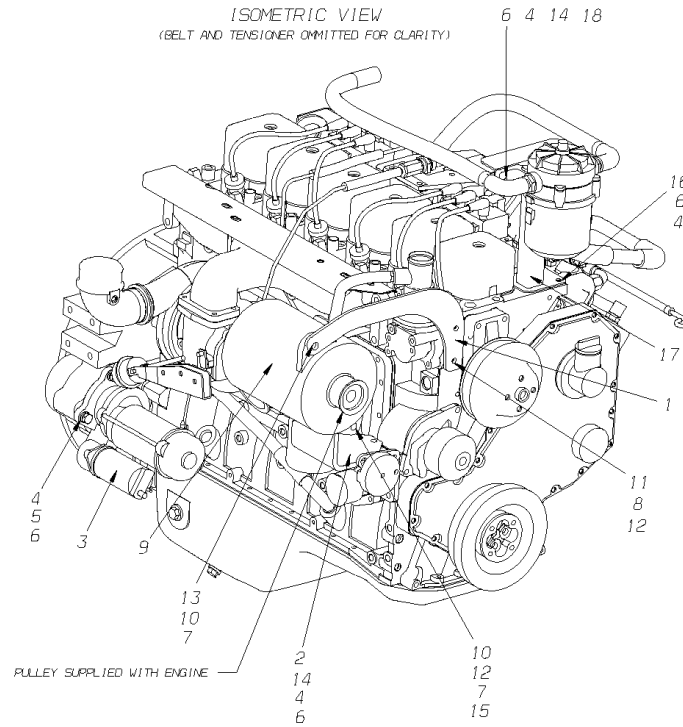
| Key | PartNumber | Qty | Description | Comment |
|-----|------------|-----|--|---------|
| NI | 4759757 | 1 | KIT DEMISTER ASSY | |
| NI | 4758734 | 1 | TEE STEEL | |
| NI | 4758735 | 12 | PIPE AIR 8MM | |
| NI | 4760496 | 1 | PIPE KIT,, HVAC,FRONT L4RE | |
| NI | 4760499 | 1 | PIPE KIT,HVAC,REAR L4RE | |
| NI | 4760251 | 2 | BRACKET,DEFROSTER,MOUNTING | |
| NI | 4758731 | 1 | BAR TENSIONING ALTERNATOR | |
| NI | 4758732 | 1 | BOLT KIT | |
| NI | 4758733 | 1 | REGULATOR PRESSURE | |
| NI | 4755804 | 1 | COMPRESSOR AIRCON CARRIER 05G | |
| NI | 4758720 | 1 | ALTERNATOR,A/C,55 AMP,PRESTOLITE,24-VOLT | |
| NI | 4758721 | 1 | BASEPLATE | |
| NI | 4758722 | 1 | PLATE PIVOT | |
| NI | 4758723 | 1 | BUSH SUSPENSION | |
| NI | 4758724 | 1 | SHAFT PIVOT | |
| NI | 4758725 | 1 | TENSIONER PNEUMATIC | |
| NI | 4758726 | 1 | BRACKET TOP TENSIONER | |
| NI | 4758727 | 1 | BELT DRIVE COMPRESSOR | |
| NI | 4758728 | 1 | FAN ALTERNATOR | |
| NI | 4758729 | 1 | PULLEY ALTERNATOR 90 OD X 2SPA | |
| NI | 4758730 | 1 | BELT DRIVE ALTERNATOR | |
| NI | 4758731 | 1 | BAR TENSIONING ALTERNATOR | |
| NI | 4758732 | 1 | BOLT KIT | |

Models: L4RE
CHART, AIR CONDITIONER PARTS
CARRIER
With: FEATURE 38102-14

| Key | PartNumber | Qty | Description | Comment |
|-----|------------|-----|--------------------|---------|
| NI | 4758733 | 1 | REGULATOR PRESSURE | |

Models: L4RE
CUMMINS B GAS +
200 AMP ALTERNATOR
With: FEATURE 40134-01

| Key | PartNumber | Qty | Description | Comment |
|-----|------------|-----|-------------|---------|
|-----|------------|-----|-------------|---------|



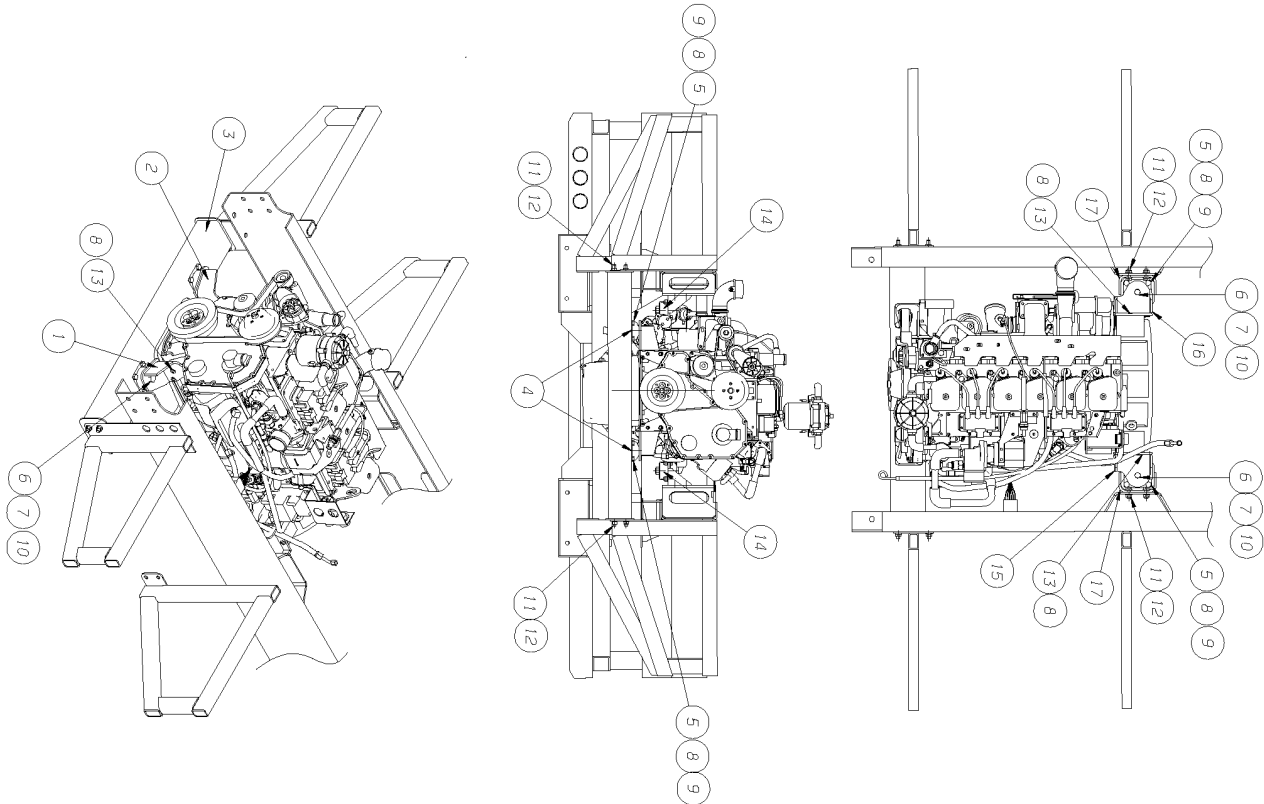
VIEW ON RHS OF ENGINE

Models: L4RE
CUMMINS B GAS +
200 AMP ALTERNATOR
With: FEATURE 40134-01

| Key | PartNumber | Qty | Description | Comment |
|-----|------------|-----|--|---------|
| 1 | 0070748 | | BRACKET,ALTERNATOR,TOP MOUNT,200 AMP | |
| 2 | 0070749 | | BRACKET,ALTERNATOR,BTM MOUNT,200 AMP | |
| 3 | 0073737 | | STARTER,ENGINE,LEECE NEVILLE,MS4-401 | |
| 4 | 1394675 | 11 | LOCKWASHER,SPLIT RING,10 MM,MED,OLV DRB | |
| 5 | 0997734 | 3 | CAPSCREW,HX HD,M10-1.5X35,CL10.9, | |
| 6 | 1107085 | 11 | WASHER,FLAT,13/32 X 13/16 X 3/32,HDN,BLK | |
| 7 | 0990655 | 2 | LOCKWASHER,SPLIT RING, 1/2 ,MED,YEL ZN | |
| 8 | 0882795 | 2 | LOCKWASHER,SPLIT RING,3/8,MED,YELLOW | |
| 9 | 0070317 | | ALTERNATOR,ENG,L-N,200A,24V | |
| 10 | 1003045 | 2 | WASHER,FLAT,17/32 X 1 1/16 X 7/64,HDN, | |
| 11 | 0997759 | 2 | CAPSCREW,HX HD,M8-1.25X25,CL10.9, | |
| 12 | 1010024 | | NUT,HEX HD,1/2-13,GR 8,LG FL,L/N,YEL ZN | |
| 13 | 1942135 | | CAPSCREW,HEX HD 1/2-13X 1 1/4,GR8, | |
| 14 | 0997742 | 3 | CAPSCREW,HX HD,M10-1.5X25,CL10.9, | |
| 15 | 1003086 | | CAPSCREW,HEX HD,1/2-13 X6 1/2,GR8, | |
| 16 | 1854173 | 3 | BOLT,HEX HD,M10 X 15,ALLISON 23049056 | |
| 17 | 0066577 | | BRACKET,ASSY,BREATHER,CRANKCASE,CNG | |
| 18 | 4752564 | 2 | NUT FLANGED HEX HD M10X1_5 | |

**Models: L4RE
CUMMINS BG CNG
ENGINE MOUNTING**

| Key | PartNumber | Qty | Description | Comment |
|-----|------------|-----|-------------|---------|
|-----|------------|-----|-------------|---------|

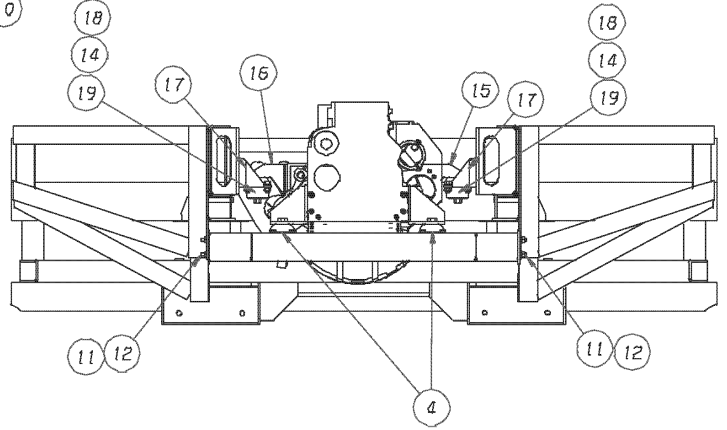
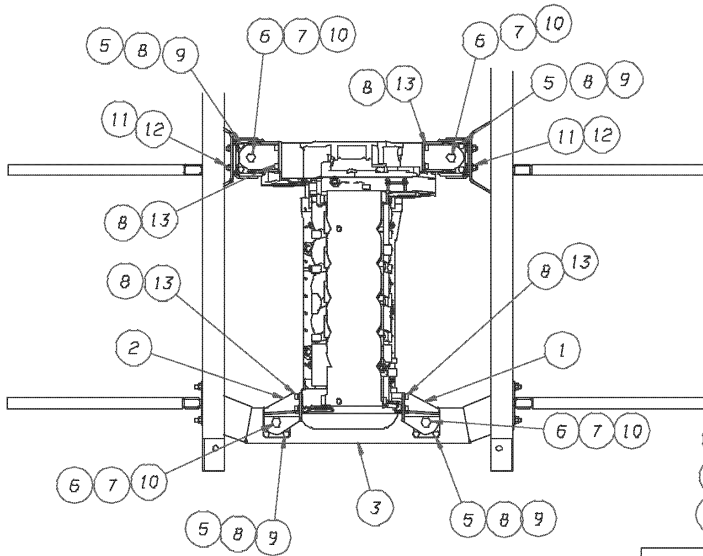


**Models: L4RE
CUMMINS BG CNG
ENGINE MOUNTING**

| Key | PartNumber | Qty | Description | Comment |
|-----|------------|-----|--|---------|
| 1 | 4760759 | | BRACKET,ASSY,ENGINE MTG,FRONT | |
| 2 | 4760778 | | BRACKET,ASSY,ENGINE MTG,FRONT,LH | |
| 3 | 4760758 | | MOUNTING,ASSY,ENGINE,FRONT | |
| 4 | 4752169 | 2 | AV MOUNTING CONICAL LORD J-21113-1 | |
| 5 | 0850800 | 16 | NUT,HEX HD,1/2-13,LOCKING,GR 8,CAD WAX | |
| 6 | 0870873 | 4 | CAPSCREW,HEX HD,3/4-10 X 4,GR 8,YEL ZN | |
| 7 | 0933879 | 4 | NUT,HEX HD,3/4-10,PRVLG TORQ,GR8,CAD | |
| 8 | 0990655 | 3 | LOCKWASHER,SPLIT RING, 1/2 ,MED,YEL ZN | |
| 9 | 1942135 | 16 | CAPSCREW,HEX HD 1/2-13X 1 1/4,GR8, | |
| 10 | 4752174 | 4 | WASHER AV-MOUNTING REBOUND DIA 2.6 | |
| 11 | 4753263 | 16 | BOLT 1/2-13 UNC 11/4L G8 HEX FLG | |
| 12 | 4758795 | 16 | NUT 1/2-13 UNC G8 HEX FLG PRV TORQ | |
| 13 | 1713635 | 14 | CAPSCREW,HEX HD,M12-1.75X30MM,CL10.9 | |
| 14 | 4759825 | | AV-MOUNTING CONICAL LORD J-21100-5 | |
| 15 | 4760789 | | BRACKET,ASSY,ENGINE MTG,REAR RH | |
| 16 | 4760784 | | BRACKET,ASSY,ENGINE MTG,REAR LH | |
| 17 | 4752199 | 2 | MOUNTING BRACKET CHASSIS FRAME | |

Models: **L4RE**
CUMMINS ISB
FEATURE 40179-01,-02

| Key | PartNumber | Qty | Description | Comment |
|-----|------------|-----|-------------|---------|
|-----|------------|-----|-------------|---------|



| | | | |
|--------------|--------|---------|-----|
| DRW. 4-12-02 | BY MCJ | 4159802 | A |
| APP. | BY | FRY | REV |



© BLUE BIRD MOTOR COMPANY. ALL RIGHTS RESERVED

Models: L4RE
CUMMINS ISB
FEATURE 40179-01,-02

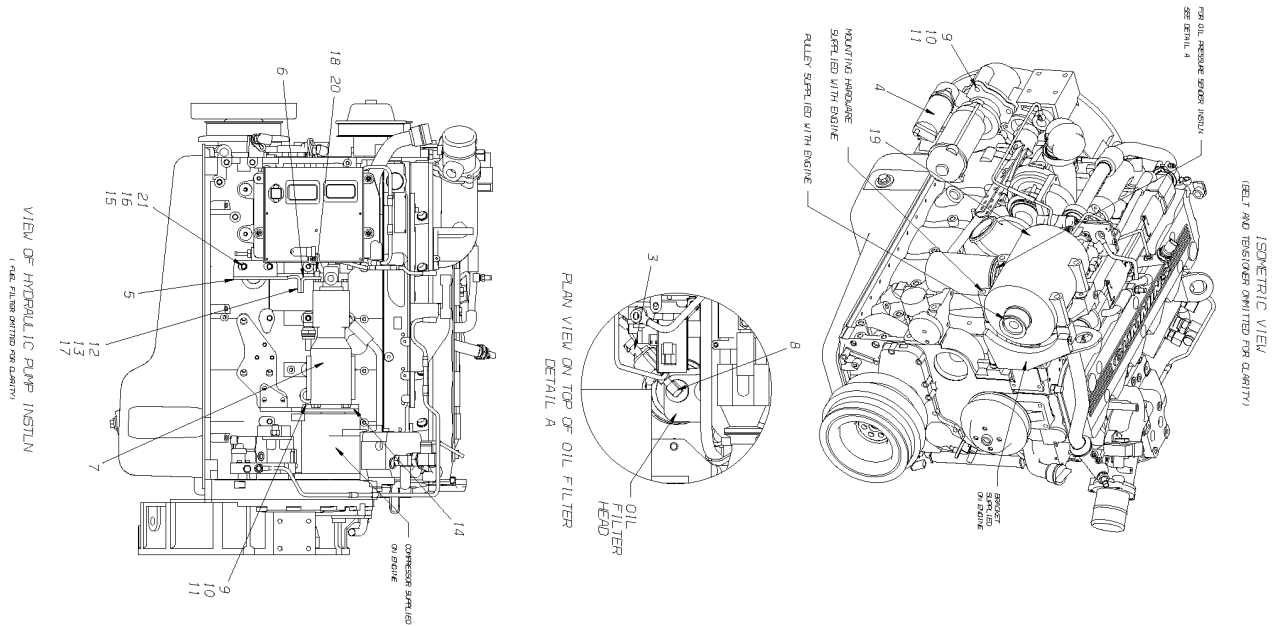
| Key | PartNumber | Qty | Description | Comment |
|-----|------------|-----|---|------------------|
| 1 | 4752296 | 1 | MOUNTING BRACKET RIGHT CUMMINS ISB | |
| 2 | 4752295 | 1 | MOUNTING BRACKET LEFT CUMMINS ISB | |
| 3 | 4752333 | 1 | CROSSMEMBER ASSEMBLY REAR | |
| 4 | 4752169 | 2 | AV MOUNTING CONICAL LORD J-21113-1 | |
| 5 | 0850800 | 16 | NUT,HEX HD,1/2-13,LOCKING,GR 8,CAD WAX | |
| 6 | 0870873 | 4 | CAPSCREW,HEX HD,3/4-10 X 4,GR 8,YEL ZN | |
| 7 | 0933879 | 4 | NUT,HEX HD,3/4-10,PRVLG TORQ,GR8,CAD | |
| 8 | 0990655 | 30 | LOCKWASHER,SPLIT RING, 1/2 ,MED,YEL ZN | |
| 9 | 1942135 | 16 | CAPSCREW,HEX HD 1/2-13X 1 1/4,GR8, | |
| 10 | 4752174 | 4 | WASHER AV-MOUNTING REBOUND DIA 2.6 | |
| 11 | 4753263 | 16 | BOLT 1/2-13 UNC 11/4L G8 HEX FLG | |
| 12 | 4758795 | 16 | NUT 1/2-13 UNC G8 HEX FLG PRV TORQ | |
| 13 | 4758797 | 14 | SETSCREW M12-1.75 30L G10.9 CAP ALLEN | |
| 14 | 4759825 | 2 | AV-MOUNTING CONICAL LORD J-21100-5 | |
| 15 | 4752175 | 1 | MOUNTING BRACKET RIGHT FLYWHEEL | |
| 16 | 4752198 | 1 | MOUNTING BRACKET LEFT FLYWHEEL HOUSING | |
| 17 | 4752199 | 2 | MOUNTING BRACKET CHASSIS FRAME | |
| 18 | 4759826 | 2 | AV-MOUNTING CONICAL LORD J-21100-1 | |
| 19 | 4752172 | 2 | AV-MOUNTING CONICAL LORD J-21100-4 | |
| NI | 0044225 | 1 | FILTER,ENGINE,OIL,CUMN 5.9ISB | |
| NI | 0060697 | 1 | FILTER,FUEL SYS,SPIN ON,(SECONDARY) ISB | SECONDARY ENGINE |
| NI | 4758762 | 1 | ALTERNATOR,ENG,L-N,140A,24V | FEATURE 40133-06 |
| NI | 4754206 | 1 | BRKT ASSY ALTERNATOR BTM MTG | |

Models: L4RE
CUMMINS ISB
FEATURE 40179-01,-02

| Key | PartNumber | Qty | Description | Comment |
|-----|------------|-----|---------------------------------------|---------|
| NI | 4759062 | 1 | BRACKET ALTERNATOR PRESTOLITE AC172R | |
| NI | 4759691 | 1 | BOLT M16-2.00 X 180 GRADE 10.9 HEX HD | |
| NI | 4759692 | 1 | BOLT HEX HD M16X2 X50 GR10.9 | |
| NI | 4752570 | 2 | NUT FLANGED HEX HD M16X2 | |
| NI | 0052152 | 1 | BELT,FAN DRIVE/ALT,ISB,L4RE | |

Models: L4RE
CUMMINS ISB O2
200 AMP ALTERNATOR
With: FEATURE 40134-01

| Key | PartNumber | Qty | Description | Comment |
|-----|------------|-----|-------------|---------|
|-----|------------|-----|-------------|---------|



Models: L4RE
CUMMINS ISB O2
200 AMP ALTERNATOR
With: FEATURE 40134-01

| Key | PartNumber | Qty | Description | Comment |
|-----|------------|-----|--|--------------------------|
| 1 | 0070748 | | BRACKET,ALTERNATOR,TOP MOUNT,200 AMP | ENDING WITH CSN 40163435 |
| 2 | 0070749 | | BRACKET,ALTERNATOR,BTM MOUNT,200 AMP | ENDING WITH CSN 40163435 |
| 3 | 1947431 | | SENDER,OIL PRESSURE,0-150 PSI | |
| 4 | 0073737 | | STARTER,ENGINE,LEECE NEVILLE,MS4-401 | |
| 5 | 4761206 | | BRKT,HYD PUMP,TAIL SUPT,LOWER | |
| 6 | 4761205 | | BRKT,HYD PUMP,TAIL SUPT,UPPER | |
| 7 | 4760641 | | PUMP,HYDRAULIC,TANDEM,CUMMINS ISB, | |
| 8 | 2027225 | | ELBOW, STREET,1/8, 3400XZ | |
| 9 | 1394675 | 5 | LOCKWASHER,SPLIT RING,10 MM,MED,OLV DRB | |
| 10 | 0997734 | 5 | CAPSCREW,HX HD,M10-1.5X35,CL10.9, | |
| 11 | 1107085 | 5 | WASHER,FLAT,13/32 X 13/16 X 3/32,HDN,BLK | |
| 12 | 2001048 | 4 | WASHER,FLAT,11/32 X 11/16 X 1/16,YEL | |
| 13 | 1465954 | 2 | NUT,HEX HD,5/16-18,LK,NYLON INSERT,YEL | |
| 14 | 1360411 | | GASKET,POWER STEERING PUMP TCFC, | |
| 15 | 1132034 | 2 | CAPSCREW,HX HD,M12-1.75X35,GR8.8, | |
| 16 | 0990655 | 2 | LOCKWASHER,SPLIT RING, 1/2 ,MED,YEL ZN | |
| 17 | 0989145 | 2 | CAPSCREW,HEX HD,5/16-18, X, 1, ,GR5, | |
| 18 | 0882795 | 2 | LOCKWASHER,SPLIT RING,3/8,MED,YELLOW | |
| 19 | 0077349 | | ALTERNATOR,ENG,L-N,200A,24V,PAD MOUNT | |
| 20 | 0803189 | 2 | NUT,HEX,3/8-24,GR8,BLACK ZINC | |
| 21 | 1003045 | 2 | WASHER,FLAT,17/32 X 1 1/16 X 7/64,HDN, | |