

Chassis

080 Electrical

BATTERY

CHART, STARTER/ BATTERY CABLE ASSY

1

INSTALLATION

908D

2

CABLES

INSTALLATION

JUMP START, ANDERSON

With: FEATURE 40142-08

3

ROUTING, CHASSIS

PAGE 1

4

PAGE 2

5

ELECTRICAL COMPONENTS

DASH

To CSN F40142580

6

From CSN F40142581

7

FRONT OVERHEAD

8

ENGINE COMPARTMENT

HEAT SENSOR

With: FEATURE 30540-01

9

WIRING

PAGE 1

To BSN F0143014

10

From BSN F0143015

11

PAGE 2

To BSN F0143014

12

From BSN F0143015

13

PAGE 3

To BSN F0143014

14

HARNESSES	15
BODY	
PAGE 1	
BODY AND CHASSIS	16
HARNESSES	17
PANEL ASSEMBLIES	
C1-ZONE	18
INSTALLATION	19
D1, D2, D3-ZONE, INSTALLATION	20
FRONT MAIN ELECTRICAL	
<i>To CSN F40142580</i>	21
<i>From CSN F40142581</i>	22
INSTALLATION	23
<i>To CSN F40142580</i>	24
<i>From CSN F40142581</i>	25
MEGA FUSE	26
INSTALLATION	27
OVERHEAD SWITCH	28
REAR ZONE, C2, D1, D2, D3	29
SWITCH, CONSOLE, INSTALLATION	30
<i>To CSN 40142580</i>	31
<i>From CSN F40142581</i>	32



SWITCH, CONSOLE, REAR, WITH OUT ROTARY IGNITION AND RAMP	
<i>WITHOUT FEATURE 30241-01 WITHOUT FEATURE 30977-08, -10 WITHOUT FEATURE 31062-01</i>	33
<hr/>	
SWITCH, CONSOLE, REAR, WITH ROTARY IGNITION AND 4 BUTTONS	
<i>With: FEATURE 30241-01 WITH OUT FEATURE 30977-08, -10 WITH OUT FEATURE 31062-01</i>	34
<hr/>	
SWITCH, CONSOLE, WITH OUT ROTARY IGNITION	
<i>With: FEATURE 30977-08, -10 WITH FEATURE 31062-01 To CSN F40142580</i>	35
<hr/>	
<i>With: FEATURE 30977-08, -10 WITH FEATURE 31062-01 From CSN F40142581</i>	36
<hr/>	
<i>With: FEATURE 31062-01 WITH OUT FEATURE 31061-04, -05, -07</i>	37
<hr/>	
SWITCH, CONSOLE, WITH OUT ROTARY IGNITION AND RAMP	
<i>WITHOUT FEATURE 30241-01 WITHOUT FEATURE 31061-04,-05,-07 WITHOUT FEATURE 31062-01</i>	38
<hr/>	
SWITCH, CONSOLE, WITH ROTARY IGNITION	
<i>With: FEATURE 30241-01 WITH OUT 31062-01, 31061</i>	39
<hr/>	
SWITCH, CONSOLE, WITH ROTARY IGNITION AND RAMP	
<i>With: FEATURE 30241-01 WITH OUT FEATURE 31062-01 To CSN F40142580</i>	40
<hr/>	
<i>With: FEATURE 30241-01 WITH OUT FEATURE 31062-01 From CSN F40142581</i>	41
<hr/>	
<i>With: FEATURE 31062-01 WITH 30241-01 WITH OUT 31061-04, -05, -07</i>	42
<hr/>	
SWITCH, DRIVER'S SIDE MIRRORS, RETARDER	43
<hr/>	
SWITCH, ELECTRIC, CONSOLE, WITH OUT ROTARY IGNITION	
<i>With: FEATURE 30977-08, -10 WITH FEATURE 31061 WITH OUT FEATURE 30241-01, 31062-01 To CSN F40142580</i>	44
<hr/>	
SWITCH, ELECTRIC, CONSOLE, WITH OUT ROTARY IGNITION AND RAMP	
<i>With: FEATURE 30977-08, -10 WITH FEATURE 31061 WITH OUT FEATURE 30241-01, 31062-01 From CSN F40142581</i>	45
<hr/>	
SWITCH, ELECTRIC, CONSOLE, WITH ROTARY IGNITION	
<i>With: FEATURE 30241-01 WITH OUT FEATURE 31062-01 To CSN 40142580</i>	46
<hr/>	

SWITCH, ELECTRIC, WITH ROTARY IGNITION	
<i>With: FEATURE 30241-01 WITH OUT FEATURE 31062-01</i>	
<i>From CSN F40142581</i>	47
<hr/>	
PDU, REAR	
B5.9 G PLUS	
<i>With: FEATURE 40180-01</i>	
	48
<hr/>	
INSTALLATION	
<i>With: FEATURE 40179-01, -02, 40180-01</i>	
	49
<hr/>	
ISB 02	
<i>With: FEATURE 40179-01, -02</i>	
	50
<hr/>	
RAMP CONTROL MODULE INSTALLATION	
	51
<hr/>	
REAR CONTROL BOX	
<i>With: FEATURE 40179-01, -02</i>	
<i>To CSN 40142580</i>	
	52
<hr/>	
<i>With: FEATURE 40179-01, -02</i>	
<i>From CSN F40142581</i>	
	53
<hr/>	
SWITCH PANEL	
DASH	
<i>To CSN F40142580</i>	
	54
<hr/>	
<i>From CSN F40142581</i>	
	55
<hr/>	
SWITCHES	
	56
<hr/>	
	57
<hr/>	
DIRECTIONAL LIGHT, FOOT CONTROLLED	
<i>With: FEATURE 30177-01</i>	
	58
<hr/>	
WIRING DIAGRAM, DATA LOOPS	
	59
<hr/>	

Models: L4RE
BATTERY
CHART, STARTER/ BATTERY CABLE ASSY

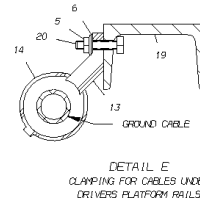
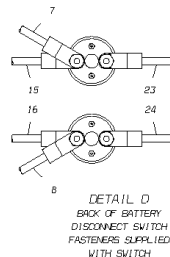
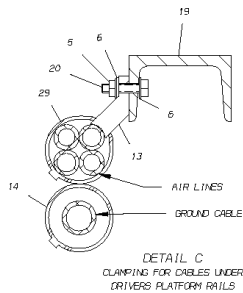
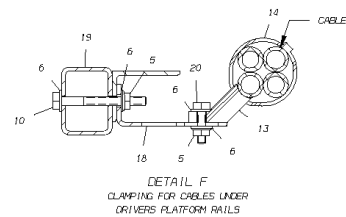
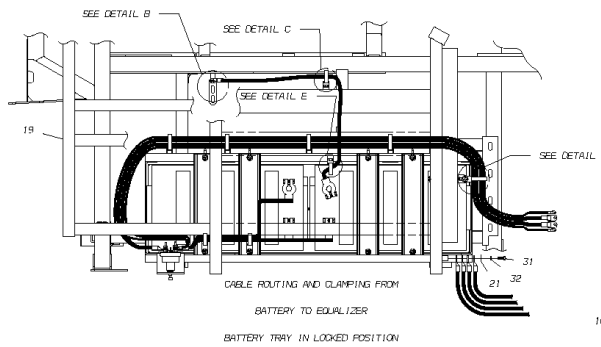
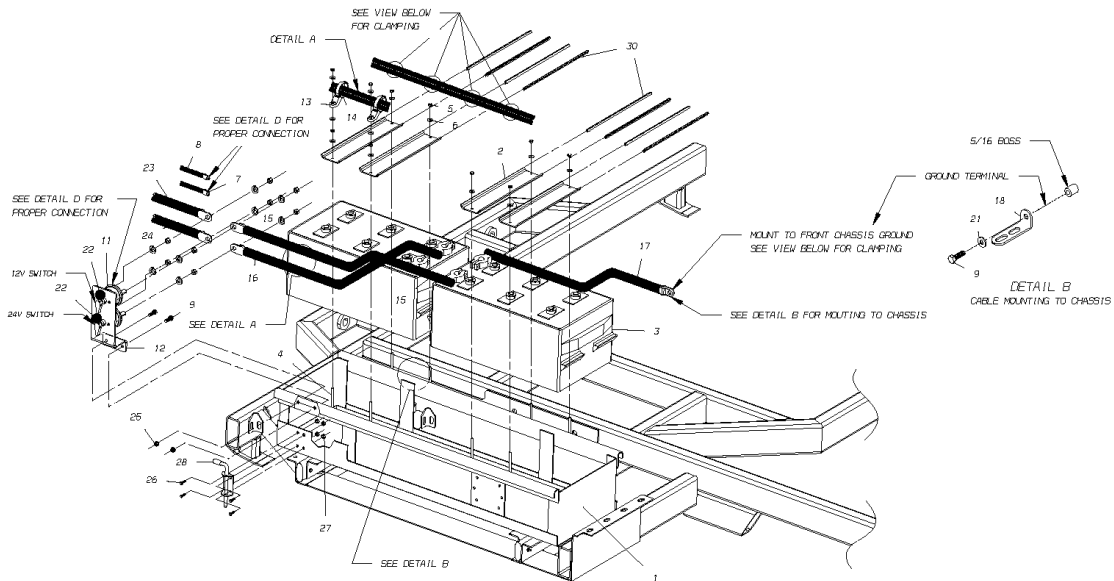
Key	PartNumber	Qty	Description	Comment
	0052453		CABLE ASSY,POS,3/0,.531 X .343 X 117,LM,GN	24 VOLT BATTERY SWITCH TO FUSE BLOCK
	0052454		CABLE ASSY,POS,3/0,.531 X .343 X 121,LM,RD	12 VOLT BATTERY SWITCH TO FUSE BLOCK
	0052457		CABLE ASSY,POS,3/0,.406 X .343 X 360,LM,GN	FUSE PANEL TO STARTER (FOR 30 FT. BUS)
	0052458		CABLE ASSY,POS,3/0,.406 X 343 X 420,LM,GN	FUSE PANEL TO STARTER (FOR 35 FT. BUS)
	0052459		CABLE ASSY,POS,2 GA,.406 X .343 X 20,GN	24 VOLT EQUALIZER TO FUSE BLOCK
	0052460		CABLE ASSY,POS,2 GA,.406 X .343 X 15,RD	12 VOLT EQUALIZER TO FUSE BLOCK
	0052461		CABLE ASSY,NEG,2 GA,.343 X .343 X 48,LM,BK	EQUALIZER GROUND TO GROUND STUD
	0052465		CABLE ASSY,POS,3/0,.406 X .343 X 45,LM,GN	ALTERNATOR + TERMINAL TO STARTER
	0052467		CABLE ASSY,NEG,3/0,.406 X .406 X 24,LM,BK	ALTERNATOR - TERMINAL TO STARTER NEGATIVE
	0052468		CABLE ASSY,NEG,3/0,.406 X .343 X 20,LM,BK	STARTER GROUND TO CHASSIS GROUND STUD
	0052471		CABLE ASSY,NEG,3/0,.343 X .531 X 18,LM,BK	ENGINE BLOCK TO GROUND STUD
	0052473		CABLE ASSY,POS,6 GA,.406 X .343 X 42,LM,GN	STARTER TO GRID HEATER FUSE
	0052477		CABLE ASSY,POS,6 GA,.281 X .343 X 65,LM,GN	GRID HEATER RELAY TO ENGINE HEATER
	0052478		CABLE ASSY,POS,6 GA,.343 X .343 X 185,LM,	FUSE TO GRID HEATER RELAY
	0052479		CABLE ASSY,POS,2 GA,.343 X .406 X 408,LM,	24 VOLT FUSE BLOCK TO 24 VOLT REAR PDU (FOR 30 FT. BUS)
	0052480		CABLE ASSY,POS,2 GA,.343 X .406 X 468,LM,	24 VOLT FUSE BLOCK TO 24 VOLT REAR PDU (FOR 35 FT. BUS)
	0052481		CABLE ASSY,POS,2 GA,.343 X .406 X 408,LM,	12 VOLT FUSE BLOCK TO 12 VOLT REAR PDU (FOR 30 FT. BUS)
	0052482		CABLE ASSY,POS,2 GA,.343 X .406 X 468,LM,	12 VOLT FUSE BLOCK TO 12 VOLT REAR PDU (FOR 35 FT. BUS)
	0052483		CABLE ASSY,NEG,2 GA,.406 X .406 X 480,LM,	BATTERY GROUND TO REAR PDU (FOR 30 FT. BUS)

Models: L4RE
 BATTERY
 CHART, STARTER/ BATTERY CABLE ASSY

Key	PartNumber	Qty	Description	Comment
	0052484		CABLE ASSY,NEG,2 GA,.406 X .406 X 540,LM,	BATTERY GROUND TO REAR PDU (FOR 35 FT. BUS)
	0052485		CABLE ASSY,POS,2 GA,.406 X .343 X 222,GN	AIR CONDITIONER TO FUSE BLOCK
	0052486		CABLE ASSY,NEG,2 GA,.406 X .343 X 230,BK	AIR CONDITIONER TO GROUND STUD
	0052452		CABLE,BAT,POS,3/0,.531 X 19,LOOM,GREEN"	24 VOLT BATTERY TO BATTERY SWITCH
	0052456		CABLE,BAT,NEG,3/0,.406 X 56,LOOM,BLACK	BATTERY NEGATIVE TO CHASSIS GROUND
	0052455		CABLE,BAT,POS/NEG,3/0,DUAL BATTERIES	FROM BATTERY SWITCH TO #1 BATTERY NEGATIVE TO #2 BATTERY POSITIVE
	0052487		CABLE ASSY,D ZONE TO C1 ZONE,35 FT BUS,	FOR 35 FT. BUS
	0052490		CABLE ASSY,D ZONE TO C1 ZONE,30 FT BUS,	FOR 30 FT. BUS
	0052488		CABLE ASSY,D ZONE POWER,35 FT BUS, L4RE	FOR 35 FT. BUS
	0052489		CABLE ASSY,D ZONE POWER,30 FT BUS, L4RE	FOR 30 FT. BUS
	0052451		CABLE ASSY,FRONT PDU POWER, L4RE	

**Models: L4RE
BATTERY
INSTALLATION
908D**

Key	PartNumber	Qty	Description	Comment
-----	------------	-----	-------------	---------



**Models: L4RE
BATTERY
INSTALLATION
908D**

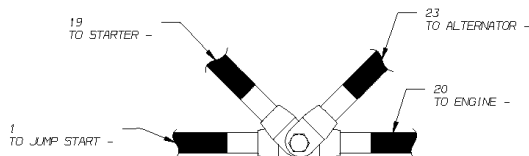
Key	PartNumber	Qty	Description	Comment
1	4758799		BATTERY CARRIER INST GA	
2	4754533		PLATE BATTERY CLAMP	
3	0014955	2	BATTERY,8D	
4	4754534	8	BOLT BATTERY CLAMP	
5	1465947	24	NUT,HEX HD,1/4-20,LK,NYLON INSERT,YEL	
6	1247709	18	WASHER,FLAT,17/64 ID X,5/8,YEL ZN DICH	
7	0052460		CABLE ASSY,POS,2 GA,.406 X .343 X 15,RD	
8	0052459		CABLE ASSY,POS,2 GA,.406 X .343 X 20,GN	
9	0989145	2	CAPSCREW,HEX HD,5/16-18, X, 1, ,GR5,	
10	1246651		CAPSCREW,HEX HD,1/4-20X2 3/4,GR5,YEL	
11	1902337	2	SWITCH,DISCONNECT,BATTERY,DOUBLE POLE	
12	0042108		BRACKET,MTG,BATTERY DISCONNECT SWITCH,	
13	0024168	8	MOUNT,HEAVY DUTY,.25 HOLE SIZE	
14	0029998	8	TIE,CABLE,250 LB	
15	0052455		CABLE,BAT,POS/NEG,3/0,DUAL BATTERIES	
16	0052452		CABLE,BAT,POS,3/0,.531 X 19,LOOM,GREEN"	
17	0052456		CABLE,BAT,NEG,3/0,.406 X 56,LOOM,BLACK	
18	4759590	2	BRACKET PIPE SUPPORT ANGLED 2 SLOT	
19	2001188		LOCKWASHER,SPLIT RING, 5/16,MED,YEL ZN	
20	0870477	2	CAPSCREW,HEX HD,1/4-20 X 1,GR 8,YEL ZN	
21	2001121		WASHER,FLAT,5/16 X 3/4,X 5/64,YEL ZN DICH	
22	0006304	2	FACE PLATE,BATTERY SWITCH,DOUBLE POLE	
23	0052454		CABLE ASSY,POS,3/0,.531 X .343 X 121,LM,RD	

Models: **L4RE**
BATTERY
INSTALLATION
908D

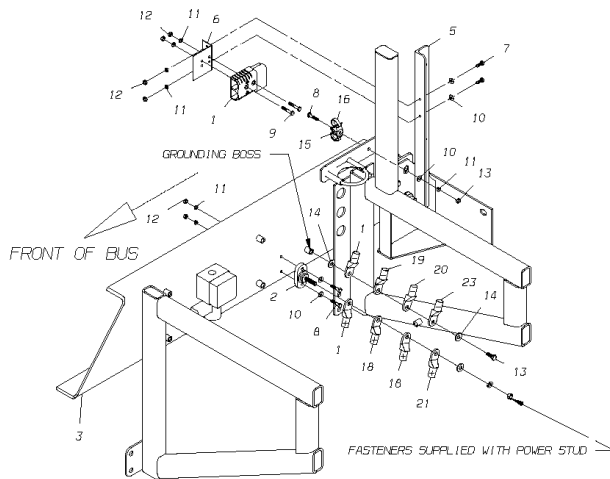
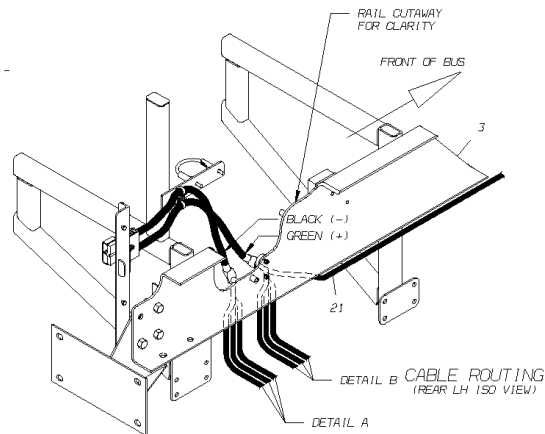
Key	PartNumber	Qty	Description	Comment
24	0052453		CABLE ASSY,POS,3/0,.531 X .343 X 117,LM,GN	
25	1465954	2	NUT,HEX HD,5/16-18,LK,NYLON INSERT,YEL	
26	0971747	4	CAPSCREW,HX HD,M6-1 X 16,CL 10.9,	
27	1529254	4	NUT,HEX HD,M6-1.0, LOCKING	
28	4754567		BOLT SPRING LOCK	
29	3799483		STRAP,TIE,PANDUIT	
30	2004547	8	TRIM,INSTRUMENT HOOD,VINYL EDGE,BLACK	
31	0056715		CAPSCREW,HEX HD,5/16-18 X 1 1/4,GR5,	
32	2001188		LOCKWASHER,SPLIT RING, 5/16,MED,YEL ZN	

Models: L4RE
CABLES
INSTALLATION
JUMP START, ANDERSON
With: FEATURE 40142-08

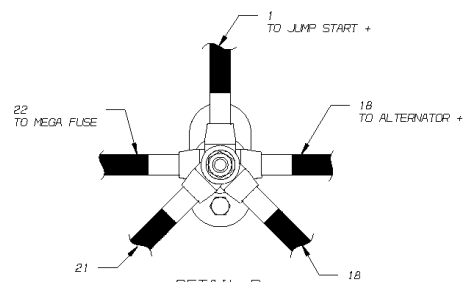
Key	PartNumber	Qty	Description	Comment
-----	------------	-----	-------------	---------



DETAIL A
 SHOW FOR PROPER CONNECTIONS
 TO GROUNDING BOSS



POWER STUD AND JUMP START INSTALLATION
 (REAR LH REVERSE 150 VIEW)



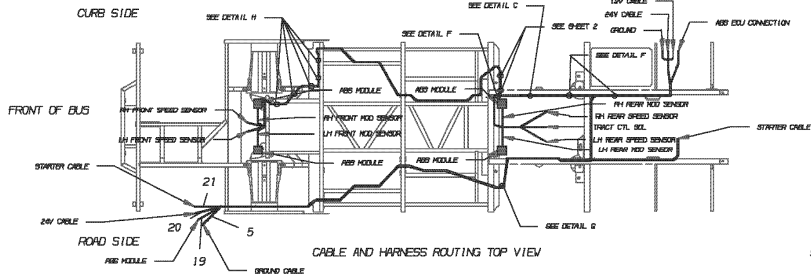
DETAIL B
 SHOW FOR PROPER CONNECTIONS
 TO POWER STUD

Models: L4RE
**CABLES
 INSTALLATION
 JUMP START, ANDERSON**
With: FEATURE 40142-08

Key	PartNumber	Qty	Description	Comment
1	0065792		CONNECTOR,ASSY,ELEC,JUMP START	FEATURE 40142-08
2	0065989		BLOCK,POWER,SINGLE STUD 3/8	
3	4755950		SECTION LONGITUDINAL LH	FOR REFERENCE
5	4760411		ANGLE,2X1.5X.1875,LTH 21.5 INS	FOR REFERENCE
6	0065990		BRACKET,MOUNT,JUMP START CONNECTOR,	
7	0977132	2	CAPSCREW,HEX HD,1/4-20 X 3/4,GR 5,YEL	
8	1667773	3	CAPSCREW,HEX HD,1/4-20X1 1/4,GR5,YEL	
9	2000081	2	CAPSCREW,HEX HD,1/4-20X1 1/2,GR8,YEL	
10	1247709	5	WASHER,FLAT,17/64 ID X,5/8,YEL ZN DICH	
11	2001170	7	LOCKWASHER,SPLIT RING, 1/4 ,MED,YEL ZN	
12	2001337	7	NUT,HEX HD,1/4-20,ZINC	
13	1032283		CAPSCREW,HEX HD,5/16-18,X,3/4,GR5,	
14	2001121	2	WASHER,FLAT,5/16 X 3/4,X 5/64,YEL ZN DICH	
15	0030876	2	2 WAY SADDLE MOUNT,S2HM25	
16	0029998		TIE,CABLE,250 LB	
18	0065992	2	CABLE ASSY,POS,3/0,.406 X .406 X 24,GN	
19	0052468		CABLE ASSY,NEG,3/0,.406 X .343 X 20,LM,BK	
20	0052471		CABLE ASSY,NEG,3/0,.343 X .531 X 18,LM,BK	
21	0052457		CABLE ASSY,POS,3/0,.406 X .343 X 360,LM,GN	FOR 30 FT. BUS
21	0052458		CABLE ASSY,POS,3/0,.406 X 343 X 420,LM,GN	FOR 35 FT. BUS
22	0052473		CABLE ASSY,POS,6 GA,.406 X .343 X 42,LM,GN	WITH FEATURE 40179-01, -02
23	0052467		CABLE ASSY,NEG,3/0,.406 X .406 X 24,LM,BK	

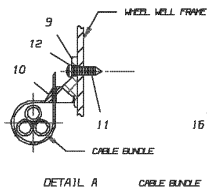
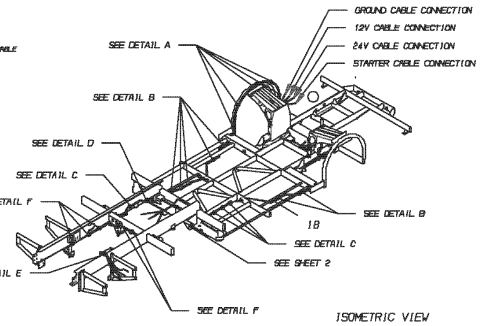
**Models: L4RE
CABLES
ROUTING, CHASSIS
PAGE 1**

Key PartNumber Qty Description Comment

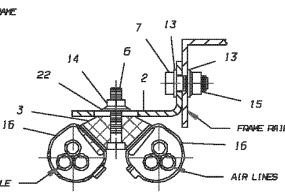


DR. 1-6-03	BY MC	00561691	A
APP.	BY	FRY	REV

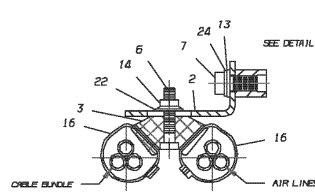
© BLUE BIRD BODY COMPANY, ALL RIGHTS RESERVED



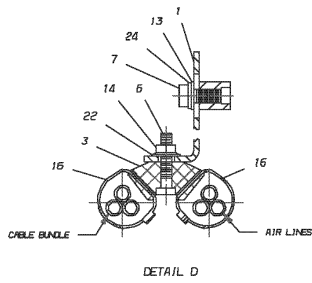
DETAIL A



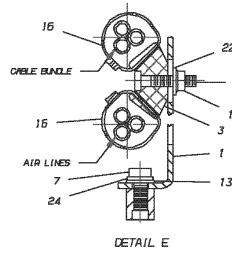
DETAIL B



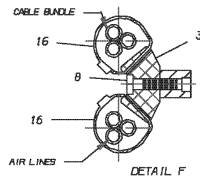
DETAIL C



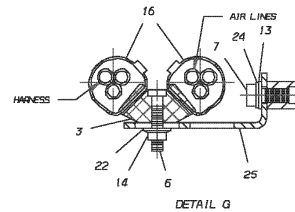
DETAIL D



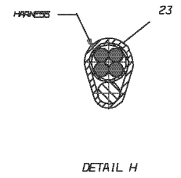
DETAIL E



DETAIL F



DETAIL G



DETAIL H

**Models: L4RE
CABLES
ROUTING, CHASSIS
PAGE 1**

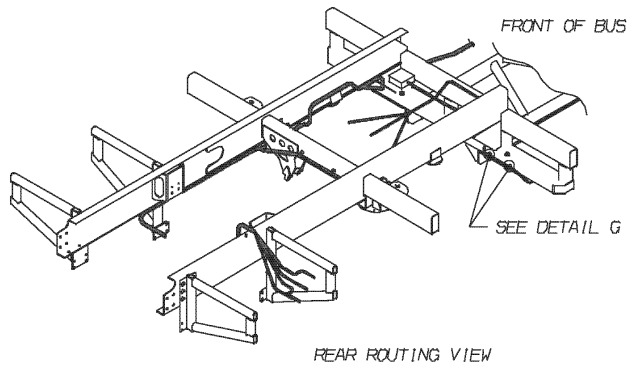
Key	PartNumber	Qty	Description	Comment
1	4759592	8	BRACKET PIPE SUPPORT ANGLED 4 SLOT	
2	4759589		BRACKET PIPE SUPPORT ANGLED 1 SLOT	
3	0030876		2 WAY SADDLE MOUNT,S2HM25	
4	0056215	8	MOUNT,HEAVY DUTY,.313 HOLE SIZE	
5	0052483		CABLE ASSY,NEG,2 GA,.406 X .406 X 480,LM,	
5	0052484		CABLE ASSY,NEG,2 GA,.406 X .406 X 540,LM,	
6	1667773		CAPSCREW,HEX HD,1/4-20X1 1/4,GR5,YEL	
7	1435023		CAPSCREW,HEX HD,5/16-18, X, 3/4,GR5,	
8	0056267	9	SCREW,MACH,1/4-28 X 1,HEX HD,YEL ZC DICH	
9	3799475	5	CLIP,MTG,TIE STRAP,PANDUIT	
10	3799483	5	STRAP,TIE,PANDUIT	
11	0864579	5	SCREW,10-16 X 3/4,AB,PH1,PAN HD,SST	
12	2001105	5	WASHER,FLAT,13/64 X,1/2 X 3/64,YEL ZN DICH	
13	2001121	37	WASHER,FLAT,5/16 X 3/4,X 5/64,YEL ZN DICH	
14	1465947	26	NUT,HEX HD,1/4-20,LK,NYLON INSERT,YEL	
15	1465954	10	NUT,HEX HD,5/16-18,LK,NYLON INSERT,YEL	
16	0029998		TIE,CABLE,250 LB	
17	0029999		TIE,CABLE,120LB 15.25L	
18	0049061		HARNESS,WRG,BENDIX ABS 4S/4M LFW, L4RE	
19	0052481		CABLE ASSY,POS,2 GA,.343 X .406 X 408,LM,	1 PER 30 FT. BUS
19	0052482		CABLE ASSY,POS,2 GA,.343 X .406 X 468,LM,	1 PER 35 FT. BUS
20	0052479		CABLE ASSY,POS,2 GA,.343 X .406 X 408,LM,	1 PER 30 FT. BUS
20	0052480		CABLE ASSY,POS,2 GA,.343 X .406 X 468,LM,	1 PER 35 FT. BUS

**Models: L4RE
CABLES
ROUTING, CHASSIS
PAGE 1**

Key	PartNumber	Qty	Description	Comment
21	0052457		CABLE ASSY,POS,3/0,.406 X .343 X 360,LM,GN	1 PER 30 FT. BUS
21	0052458		CABLE ASSY,POS,3/0,.406 X 343 X 420,LM,GN	1 PER 35 FT. BUS
22	1247709	18	WASHER,FLAT,17/64 ID X,5/8,YEL ZN DICH	
23	0599704	5	TIE,CABLE,NYLON	
24	2001188	18	LOCKWASHER,SPLIT RING, 5/16,MED,YEL ZN	
25	4759590	3	BRACKET PIPE SUPPORT ANGLED 2 SLOT	

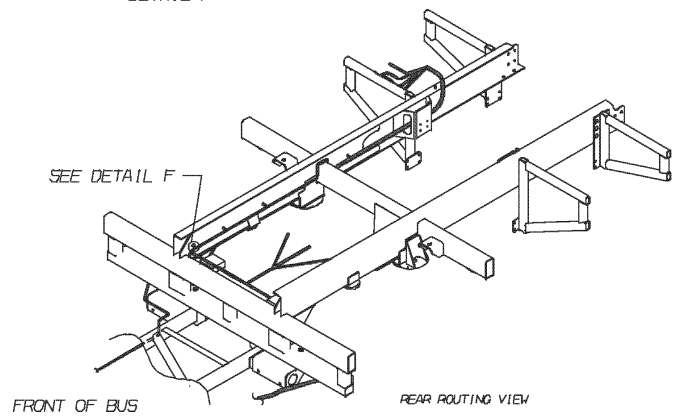
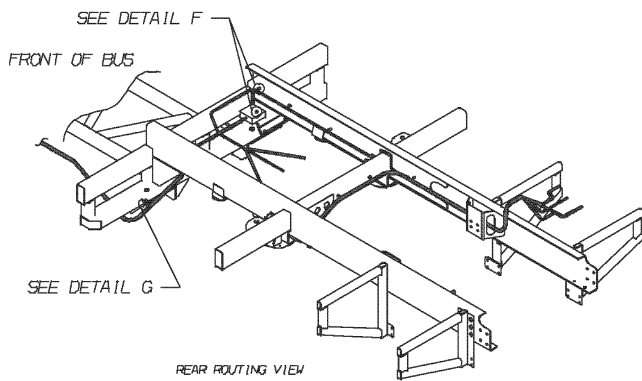
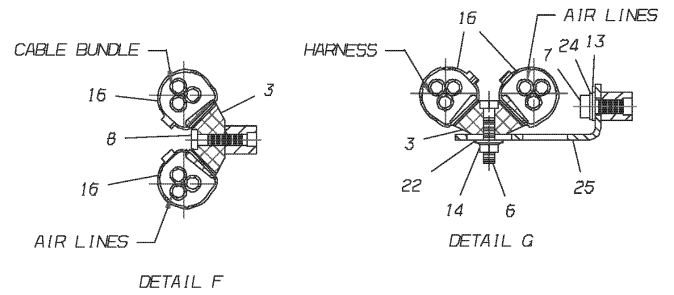
Models: **L4RE
CABLES
ROUTING, CHASSIS
PAGE 2**

Key	PartNumber	Qty	Description	Comment
-----	------------	-----	-------------	---------



DR. 1-6-02	BY MC	00561692	A	
APP.	BY	FRT	HE-V	

© BLUE BIRD BODY COMPANY. ALL RIGHTS RESERVED



Models: L4RE
CABLES
ROUTING, CHASSIS
PAGE 2

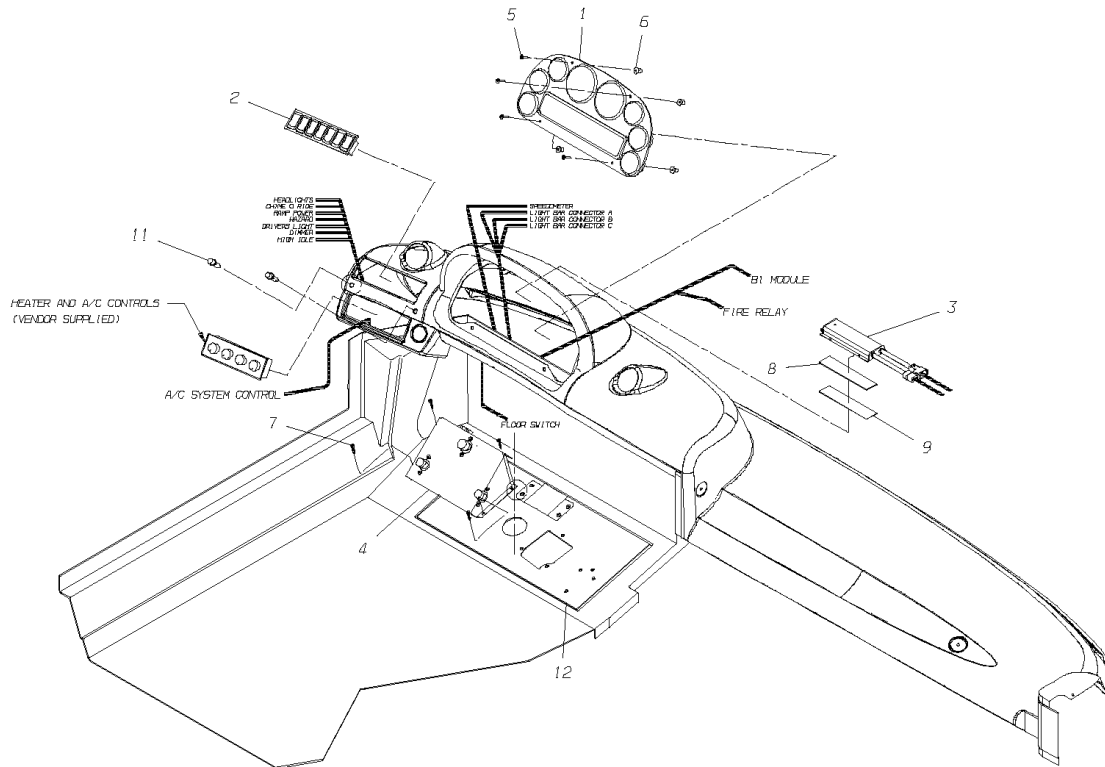
Key	PartNumber	Qty	Description	Comment
1	4759592	8	BRACKET PIPE SUPPORT ANGLED 4 SLOT	
2	4759589		BRACKET PIPE SUPPORT ANGLED 1 SLOT	
3	0030876		2 WAY SADDLE MOUNT,S2HM25	
4	0056215	8	MOUNT,HEAVY DUTY,.313 HOLE SIZE	
5	0052483		CABLE ASSY,NEG,2 GA,.406 X .406 X 480,LM,	
5	0052484		CABLE ASSY,NEG,2 GA,.406 X .406 X 540,LM,	
6	1667773		CAPSCREW,HEX HD,1/4-20X1 1/4,GR5,YEL	
7	1435023		CAPSCREW,HEX HD,5/16-18, X, 3/4,GR5,	
8	0056267	9	SCREW,MACH,1/4-28 X 1,HEX HD,YEL ZC DICH	
9	3799475	5	CLIP,MTG,TIE STRAP,PANDUIT	
10	3799483	5	STRAP,TIE,PANDUIT	
11	0864579	5	SCREW,10-16 X 3/4,AB,PH1,PAN HD,SST	
12	2001105	5	WASHER,FLAT,13/64 X,1/2 X 3/64,YEL ZN DICH	
13	2001121	37	WASHER,FLAT,5/16 X 3/4,X 5/64,YEL ZN DICH	
14	1465947	26	NUT,HEX HD,1/4-20,LK,NYLON INSERT,YEL	
15	1465954	10	NUT,HEX HD,5/16-18,LK,NYLON INSERT,YEL	
16	0029998		TIE,CABLE,250 LB	
17	0029999		TIE,CABLE,120LB 15.25L	
18	0049061		HARNESS,WRG,BENDIX ABS 4S/4M LFW, L4RE	
19	0052481		CABLE ASSY,POS,2 GA,.343 X .406 X 408,LM,	1 PER 30 FT. BUS
19	0052482		CABLE ASSY,POS,2 GA,.343 X .406 X 468,LM,	1 PER 35 FT. BUS
20	0052479		CABLE ASSY,POS,2 GA,.343 X .406 X 408,LM,	1 PER 30 FT. BUS
20	0052480		CABLE ASSY,POS,2 GA,.343 X .406 X 468,LM,	1 PER 35 FT. BUS

**Models: L4RE
CABLES
ROUTING, CHASSIS
PAGE 2**

Key	PartNumber	Qty	Description	Comment
21	0052457		CABLE ASSY,POS,3/0,.406 X .343 X 360,LM,GN	1 PER 30 FT. BUS
21	0052458		CABLE ASSY,POS,3/0,.406 X 343 X 420,LM,GN	1 PER 35 FT. BUS
22	1247709	18	WASHER,FLAT,17/64 ID X,5/8,YEL ZN DICH	
23	0599704	5	TIE,CABLE,NYLON	
24	2001188	18	LOCKWASHER,SPLIT RING, 5/16,MED,YEL ZN	
25	4759590	3	BRACKET PIPE SUPPORT ANGLED 2 SLOT	

Models: **L4RE**
ELECTRICAL COMPONENTS
DASH
To CSN F40142580

Key	PartNumber	Qty	Description	Comment
-----	------------	-----	-------------	---------

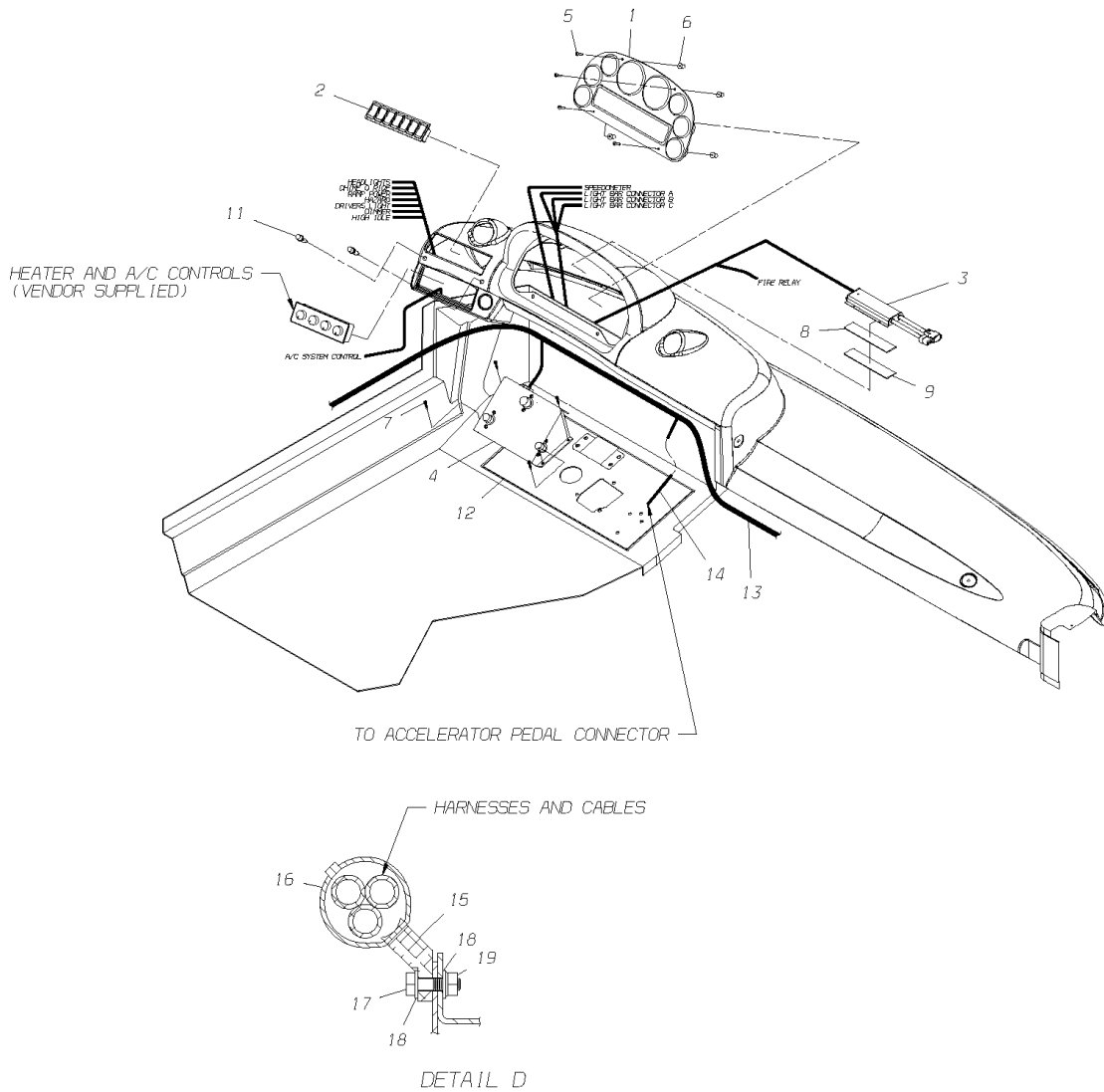


**Models: L4RE
ELECTRICAL COMPONENTS
DASH
To CSN F40142580**

Key	PartNumber	Qty	Description	Comment
1	0051868		PANEL ASSY,INSTRUMENT, L4RE	
2	0053609		ASSEMBLY,SWITCH PANEL, L4RE	
3	0053092		LED INDICATOR MODULE DRIVER,L4RE	
4				SEE DRAWING 0050694.
5	1315100	4	SCREW,MACH,10-32X1,PHI,PAN HD,BLK	
6	1315118	4	WELLNUT Q-1032,.377 X 5/8	
7	1143684	4	SCREW,1/4-14 X 1,AB,PH1,PAN HD,BLK ZN,SST	
8	3751500		TAPE,SJ 3538 HOOK B 3M PRESSURE	
9	3751492		TAPE,SJ 3537 LOOP 3M PRESS SENSITIVE,1 IN	
10	0029999		TIE,CABLE,120LB 15.25L	
11	1791300		LIGHT,SWITCH PANEL ILLUMINATION,CV	
12	4759121		PLATE ASSY DRIVERS FLOOR	

Models: L4RE
ELECTRICAL COMPONENTS
DASH
BSN: From CSN F40142581

Key	PartNumber	Qty	Description	Comment
-----	------------	-----	-------------	---------

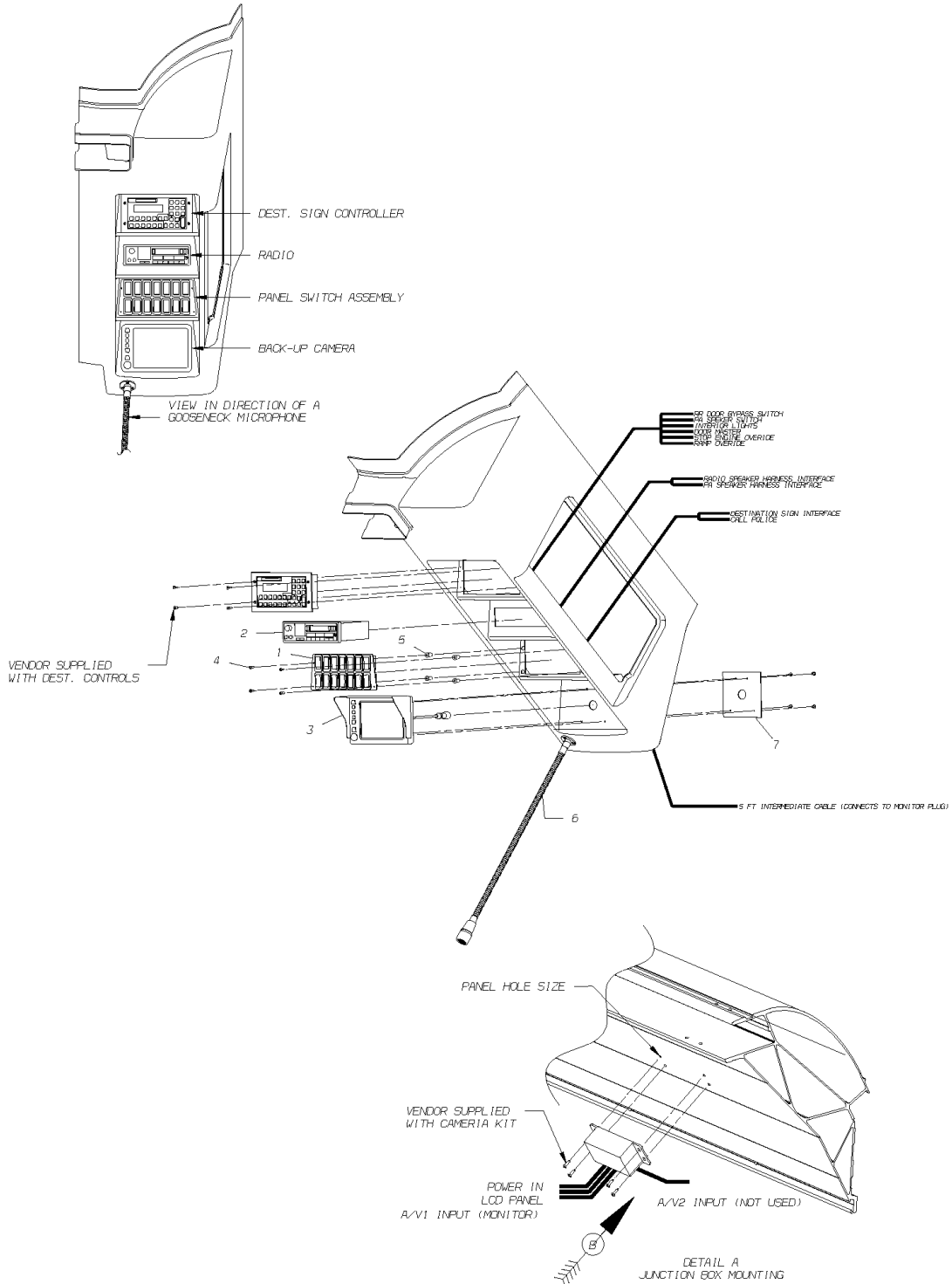


Models: L4RE
ELECTRICAL COMPONENTS
DASH
BSN: From CSN F40142581

Key	PartNumber	Qty	Description	Comment
1	0083882		PANEL,ASSY,INSTRUMENT,ISBO2,AMERICAN,	STANDARD. AMERICAN
1	0055549		PANEL,ASSY,INSTRUMENT,ISBO2 CANADIAN,	FEATURE 40280-09. CANADIAN
2	0053609		ASSEMBLY,SWITCH PANEL, L4RE	
3	0053092		LED INDICATOR MODULE DRIVER,L4RE	
5	1315100		SCREW,MACH,10-32X1,PHI,PAN HD,BLK	
6	1315118		WELLNUT Q-1032,.377 X 5/8	
7	1143684		SCREW,1/4-14 X 1,AB,PH1,PAN HD,BLK ZN,SST	
8	3751500		TAPE,SJ 3538 HOOK B 3M PRESSURE	
9	3751492		TAPE,SJ 3537 LOOP 3M PRESS SENSITIVE,1 IN	
10	0029999		TIE,CABLE,120LB 15.25L	
11	1791300		LIGHT,SWITCH PANEL ILLUMINATION,CV	
12	4759121		PLATE ASSY DRIVERS FLOOR	
13	0065057		HARNESS,WRG,DASH, L4	
14	0049988		HARNESS,WRG,MORSE THROT INTFC,CUMMINS,	
15	0024168		MOUNT,HEAVY DUTY,.25 HOLE SIZE	
16	0029998		TIE,CABLE,250 LB	
17	1376086		SCREW,MACH,1/4-20 X 1,HEX,BLK	
18	1247709		WASHER,FLAT,17/64 ID X,5/8,YEL ZN DICH	
19	1465947		NUT,HEX HD,1/4-20,LK,NYLON INSERT,YEL	
20	0599704		TIE,CABLE,NYLON	

Models: L4RE
ELECTRICAL COMPONENTS
FRONT OVERHEAD

Key	PartNumber	Qty	Description	Comment
-----	------------	-----	-------------	---------

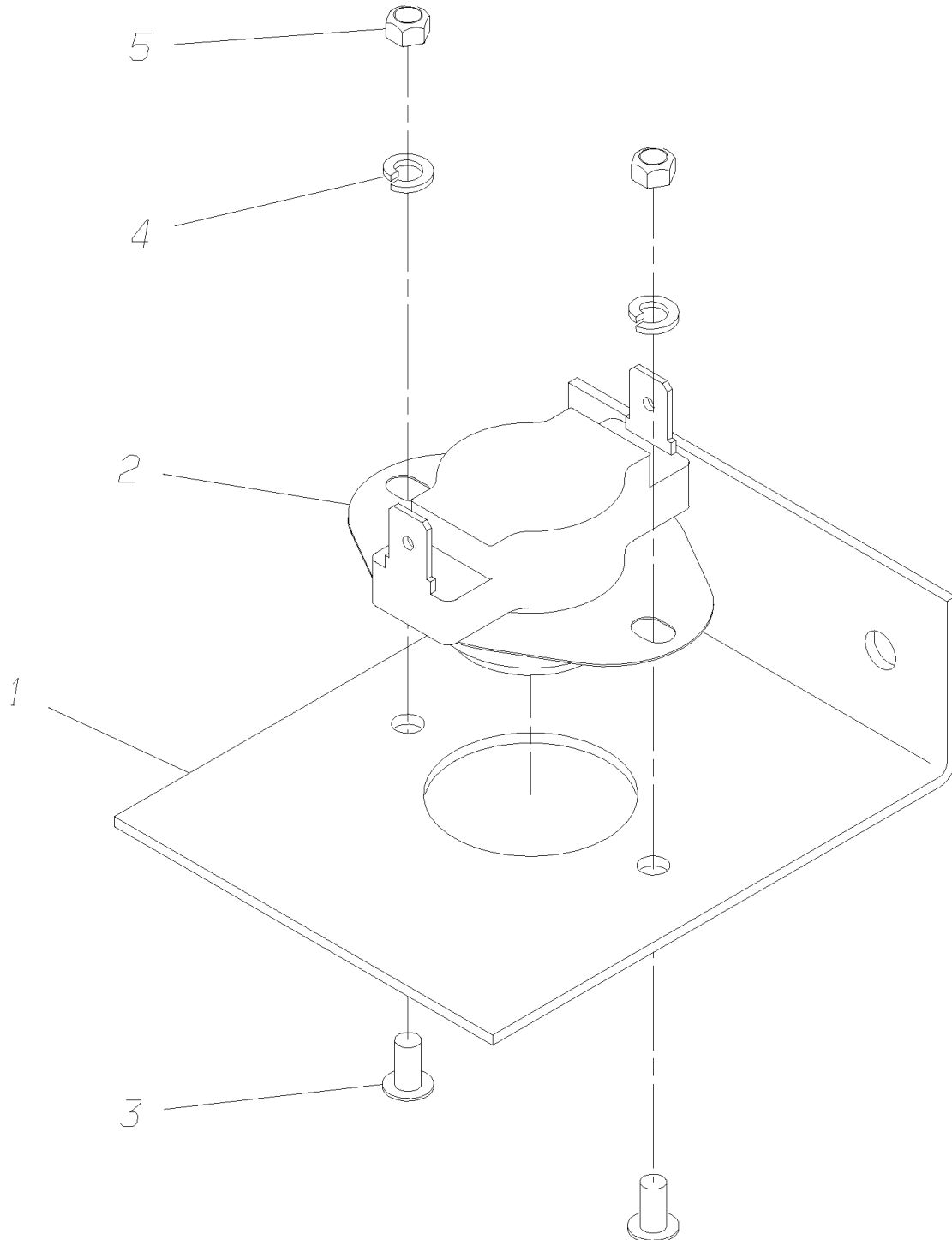


Models: **L4RE**
ELECTRICAL COMPONENTS
FRONT OVERHEAD

Key	PartNumber	Qty	Description	Comment
1	0053524		ASSEMBLY,SWITCH PANEL, L4RE	
2	0047312		RADIO,PA W/DUAL MIC, W/O EXT SPEAKER SW	<i>FEATURE 30260-13</i>
	0047313		PA,PANEL MNT,W/DYN MIC,W/O EXT SPKR SW,	<i>FEATURE 30269-10</i>
	0054233		RADIO,AM/FM,W/O PA,REI 700823	<i>FEATURE 30260-01</i>
	0042223		PA,PANEL MOUNT,W/DYN MIC,W/EXT SPKR SW,	<i>FEATURE 30269-10</i>
	0055669		RADIO,AM/FM,W/CD,REI	<i>FEATURE 30260-07</i>
	0065892		RADIO,HEAD,PANASONIC,AM,FM,CD,PA,REI	
3	0056765		KIT,REAR BACKUP VISION,CAMERA, L4RE	<i>FEATURE 38105-03</i>
4	1315100	4	SCREW,MACH,10-32X1,PHI,PAN HD,BLK	
5	1315118	4	WELLNUT Q-1032,.377 X 5/8	
7	0064053		PLATE,MTG,5 X 5 BACKING PLATE	

Models: L4RE
ENGINE COMPARTMENT
HEAT SENSOR
With: FEATURE 30540-01

Key	PartNumber	Qty	Description	Comment
-----	------------	-----	-------------	---------

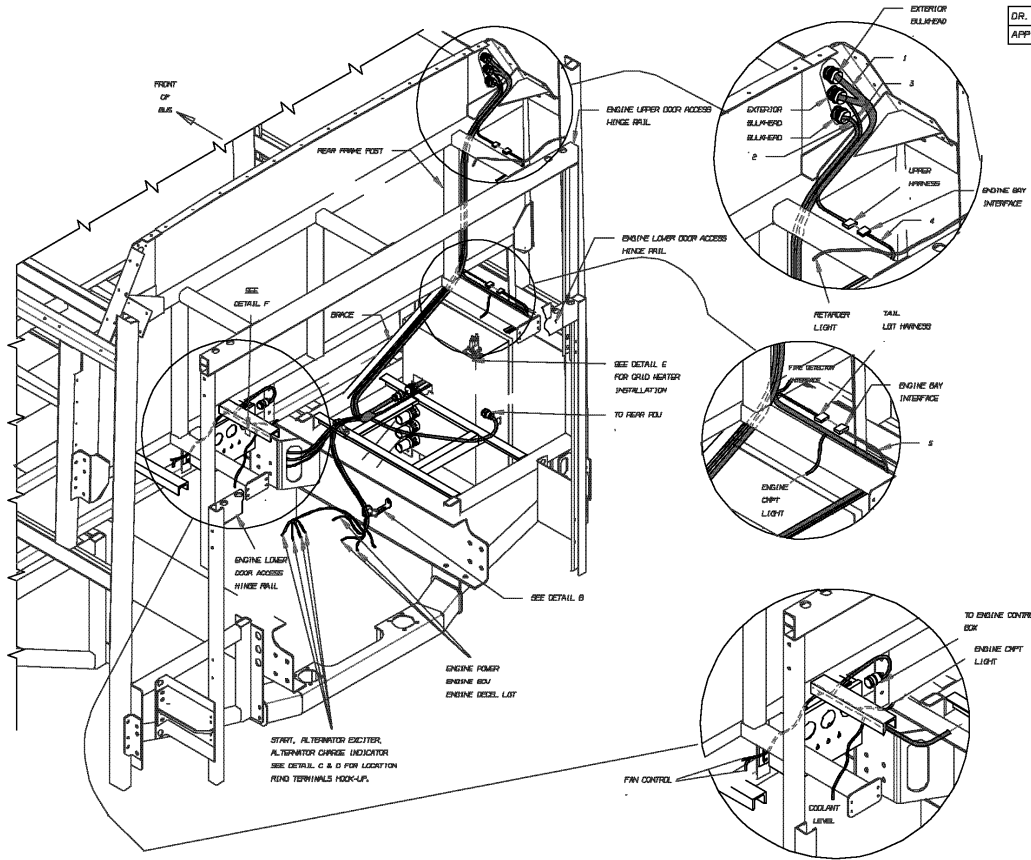


Models: L4RE
**ENGINE COMPARTMENT
HEAT SENSOR**
With: FEATURE 30540-01

Key	PartNumber	Qty	Description	Comment
1	0064194		BRACKET,MTG,ENGINE COMPARTMENT,HEAT	
2	1277201		THERMOSTAT,HEAT,SENSOR	
3	1903020	2	SCREW,MACH,6/32 X 1/2,PH1,PN HD,YEL ZN	
4	2001162	2	LOCKWASHER,SPLIT RING, 3/16,MED,YEL ZN	
5	1711191	2	NUT,HEX HD,6-32,YEL ZN DICH	

**Models: L4RE
ENGINE COMPARTMENT
WIRING
PAGE 1
To BSN F0143014**

Key	PartNumber	Qty	Description	Comment
-----	------------	-----	-------------	---------



DR. 12-20-02 BY MC	00562921	B	
APP. BY FRT		REV	

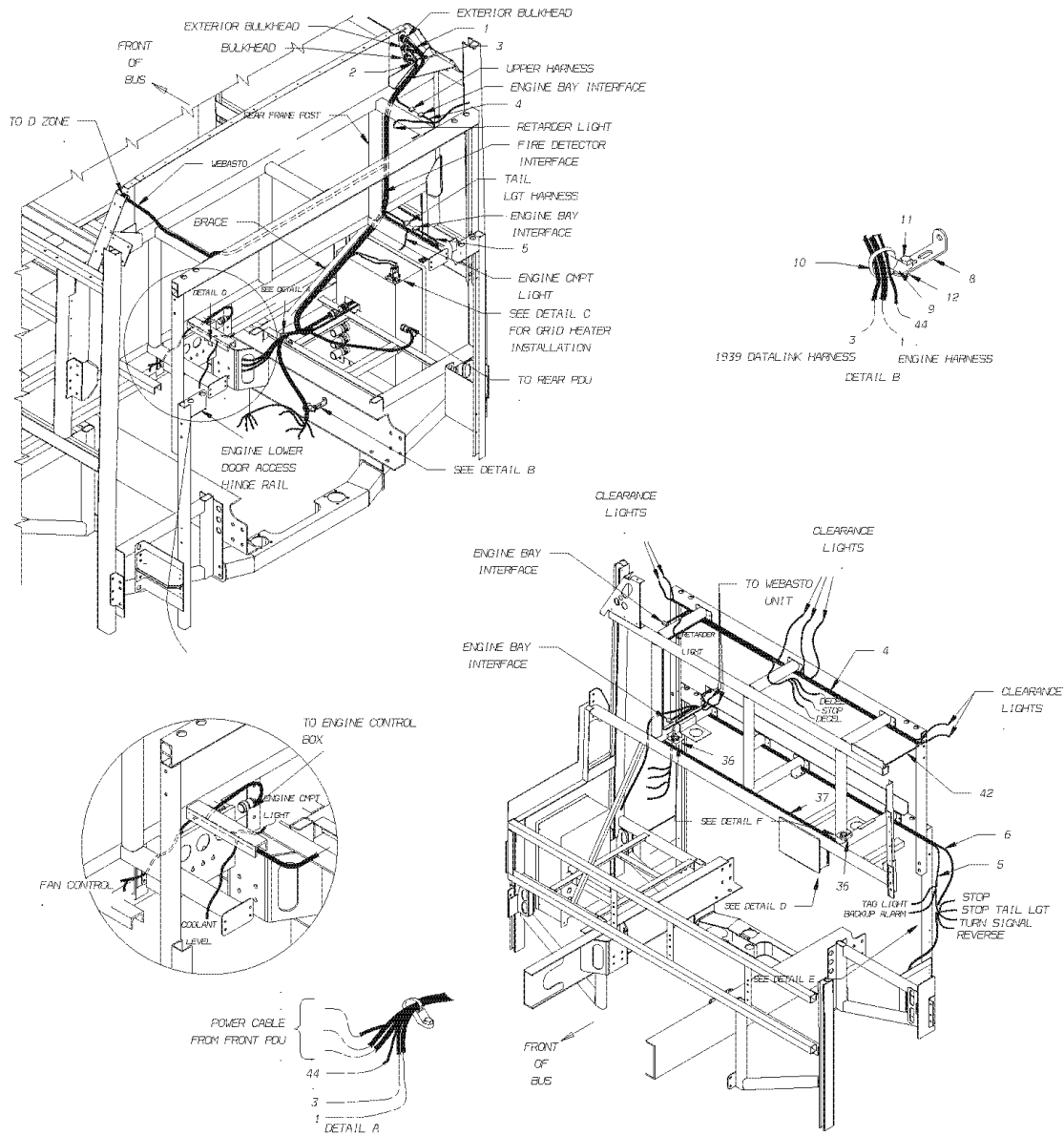
© BLUE BIRD BODY COMPANY. ALL RIGHTS RESERVED

**Models: L4RE
ENGINE COMPARTMENT
WIRING
PAGE 1
To BSN F0143014**

Key	PartNumber	Qty	Description	Comment
1	0049432		HARNESS,WRG,ENGINE BAY,ISBO2, L4RE	
	0050581		HARNESS,WRG,ENGINE BAY B5.9 G PLUS, L4RE	
2	0049185		HARNESS,WRG,TRANSMISSION ECU,B300,L4RE	
3	0049178		HARNESS ASSY,DATALINK,J1939, L4RE	
4	0049134		HARNESS,WRG,UPPER REAR CLEARANCE LGTS,	
5	0049091		HARNESS,WRG,TAIL LIGHT, L4RE	

Models: L4RE
ENGINE COMPARTMENT
WIRING
PAGE 1
BSN: From BSN F0143015

Key	PartNumber	Qty	Description	Comment
-----	------------	-----	-------------	---------



Models: L4RE
ENGINE COMPARTMENT
WIRING
PAGE 1
BSN: From BSN F0143015

Key	PartNumber	Qty	Description	Comment
1	0092458		HARNESS,WRG,ENGINE BAY,ISB02,TCM ECU	FEATURE 40179-01, 02
1	0099726		HARNESS,WRG,ENGINE CNG,ALLISON GEN4	FEATURE 40180-01
2	0092327		HARNESS,WRG,TRANS ECU B300, GEN 4	FEARUTE 40423-03, -04
3	0099529		HARNESS,WIRING,ASSY DATALINK J1939,	
4	0049134		HARNESS,WRG,UPPER REAR CLEARANCE LGTS,	
5	0065262		HARNESS,WRG,TAIL LIGHTS, L4RE	
6	0052478		CABLE ASSY,POS,6 GA,.343 X .343 X 185,LM,	FEATURE 40179-01, -02; 4018-01
7	4759592		BRACKET PIPE SUPPORT ANGLED 4 SLOT	
8	4759590		BRACKET PIPE SUPPORT ANGLED 2 SLOT	
9	0056215	7	MOUNT,HEAVY DUTY,.313 HOLE SIZE	
10	0029998	7	TIE,CABLE,250 LB	
11	1435023	2	CAPSCREW,HEX HD,5/16-18, X, 3/4,GR5,	
12	0829390	2	NUT,HEX HD,5/16-18,SER WASHER,YEL ZN	
13	0065992		CABLE ASSY,POS,3/0,.406 X .406 X 24,GN	
14	0052467		CABLE ASSY,NEG,3/0,.406 X .406 X 24,LM,BK	
15	0053168		RELAY,POWER,GRID HEATER,24V, L4RE	FEATURE 40179-01, -02; 40180-01
16	1268119	2	SCREW,1/4-20X1/2,F,PH1,PAN HD,YEL ZN DICH	FEATURE 40179-01, -02
17	0971978	2	NUT,HEX HD,5/16,YELLOW DICHROMATE	
18	2001287	2	NUT,HEX HD,10-32,YEL ZN DICH	
19	1161322	AR	SEALANT,GLYPTAL RED ENAMEL,GE NO 1201	
20	0029999	AR	TIE,CABLE,120LB 15.25L	
21	1653948	21	TIE,CABLE,NYLON PUSH MOUNT	
22	0052468		CABLE ASSY,NEG,3/0,.406 X .343 X 20,LM,BK	

Models: L4RE
ENGINE COMPARTMENT
WIRING
PAGE 1
BSN: From BSN F0143015

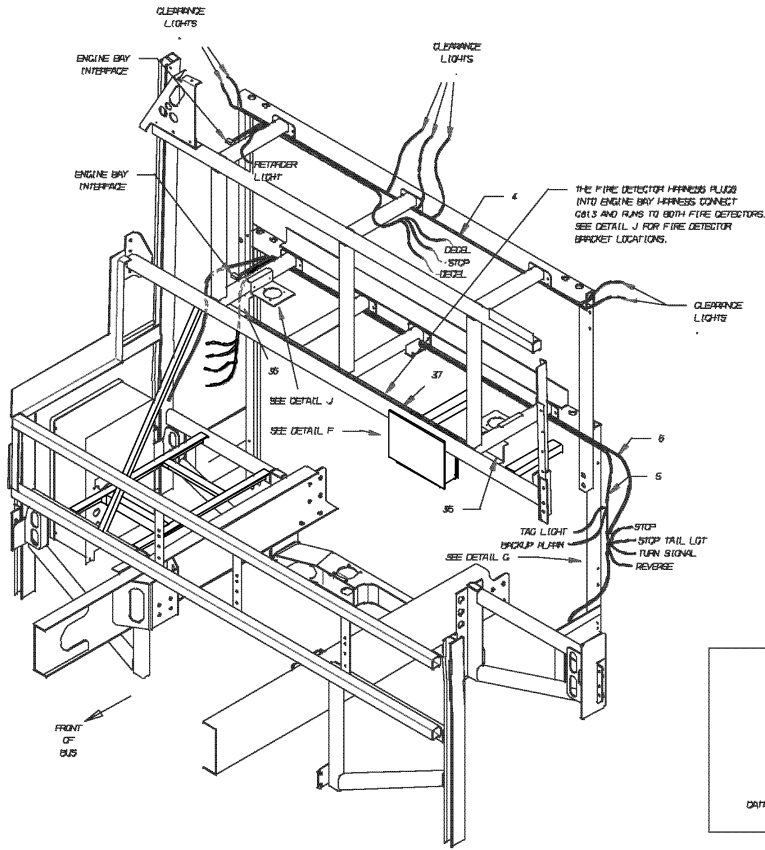
Key	PartNumber	Qty	Description	Comment
23	0052457		CABLE ASSY,POS,3/0,.406 X .343 X 360,LM,GN	
23	0052458		CABLE ASSY,POS,3/0,.406 X 343 X 420,LM,GN	
24	0052473		CABLE ASSY,POS,6 GA,.406 X .343 X 42,LM,GN	FEATURE 40179-01, -02; 40180-01
25	0052478		CABLE ASSY,POS,6 GA,.343 X .343 X 185,LM,	FEATURE 40179-01, -02; 40180-01
26	0003311		HORN,BACKING ALARM,107 DB	
27	0977132	AR	CAPSCREW,HEX HD,1/4-20 X 3/4,GR 5,YEL	
28	0659979	AR	NUT,HEX,FLANGE SER,1/4-20,BLACK ZINC	
29	2003184	2	GROMMET,RUBBER,HEATER PANEL,1-1/4 IN. ID	
30	0043235		HOLDER,FUSE,MEGA,BUSSMANN"	
31	2000511	10	SCREW,10-16 X 1/2,AB,PH1,TRUSS HD,	
32	1627223	2	LIGHT ASSY,ENGINE COMPARTMENT,QB	
33	0056382	2	BRACKET,MTG,LIGHT,ENGINE CMPT, L4RE	
34	0065098		BOX,ASSY,REAR,ENGINE CONTROL, L4RE	FEATURE 40179-01, -02
35	2000081	2	CAPSCREW,HEX HD,1/4-20X1 1/2,GR8,YEL	
36	0064199	2	DIAGRAM,ASSY,HEAT SENSOR, L4RE	FEATURE 40179-01, -02
37	0050610		HARNES,WRG,FIRE DETECTOR, L4RE	FEATURE 40179-01, -02; 40180-01
38	2000511	4	SCREW,10-16 X 1/2,AB,PH1,TRUSS HD,	FEATURE 40179-01, -02
39	0006151		FUSE,MEGA,125 AMP	FEATURE 40179-01, -02
40	0060117		MODULE,COOLANT,ISB.02,BORG WARNER	FEATURE 40179-01, -02
41	0060118		MODULE,COOLANT,ISB4,BORG WARNER	FEATURE 40180-01
42	0066072		HARNES,WRG,WEBASTO,L4RE	FEATURE 1345-02
43	1247709	2	WASHER,FLAT,17/64 ID X,5/8,YEL ZN DICH	FEATURE 40179-01, -02

Models: L4RE
ENGINE COMPARTMENT
WIRING
PAGE 1
BSN: From BSN F0143015

Key	PartNumber	Qty	Description	Comment
				-01
45	0599704	AR	TIE,CABLE,NYLON	

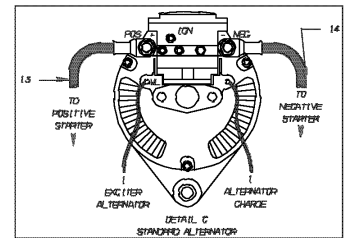
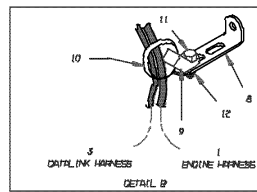
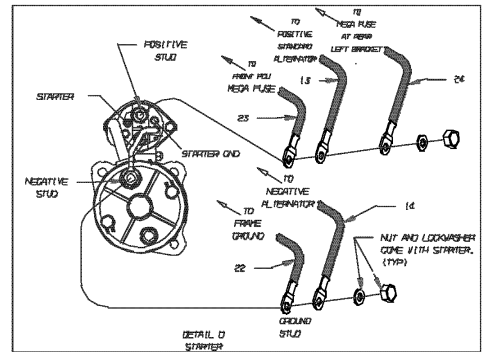
**Models: L4RE
ENGINE COMPARTMENT
WIRING
PAGE 2
To BSN F0143014**

Key	PartNumber	Qty	Description	Comment
-----	------------	-----	-------------	---------



DR. 12-20-02 BY MC	REV. 13	
APP. BY	FRY. 00562922	

© BLUE BIRD BODY COMPANY. ALL RIGHTS RESERVED

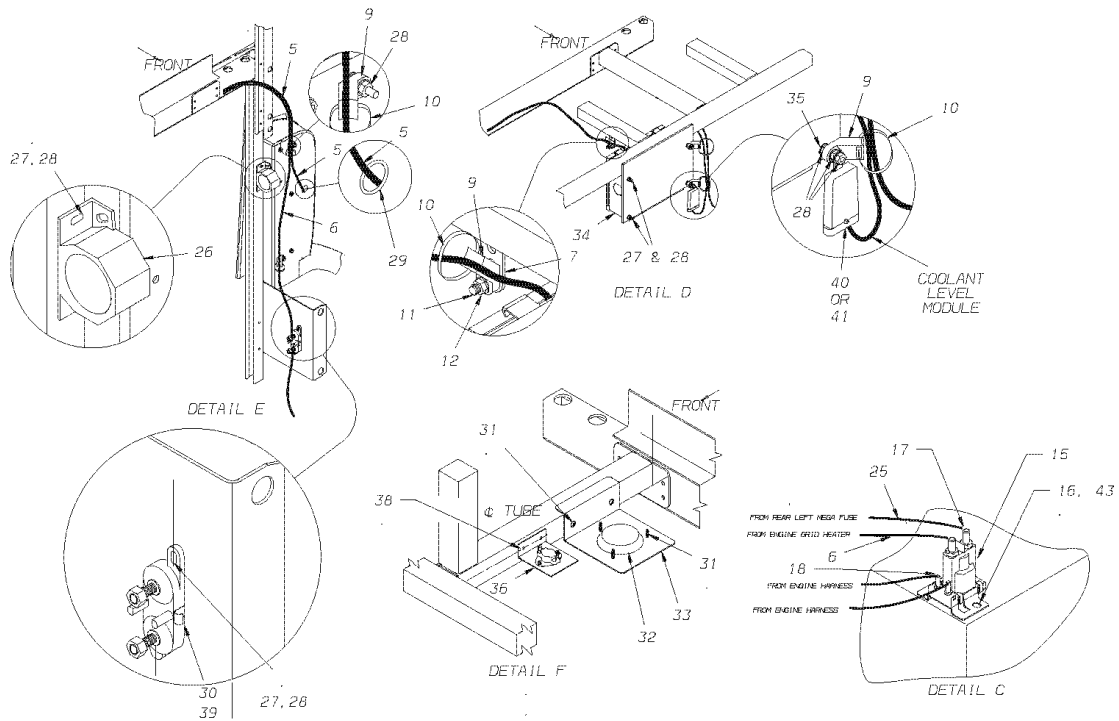


**Models: L4RE
ENGINE COMPARTMENT
WIRING
PAGE 2
To BSN F0143014**

Key	PartNumber	Qty	Description	Comment
1	0049432		HARNESS,WRG,ENGINE BAY,ISBO2, L4RE	
	0050581		HARNESS,WRG,ENGINE BAY B5.9 G PLUS, L4RE	
2	0049185		HARNESS,WRG,TRANSMISSION ECU,B300,L4RE	
3	0049178		HARNESS ASSY,DATALINK,J1939, L4RE	
4	0049134		HARNESS,WRG,UPPER REAR CLEARANCE LGTS,	
5	0049091		HARNESS,WRG,TAIL LIGHT, L4RE	
6	0052477		CABLE ASSY,POS,6 GA,.281 X .343 X 65,LM,GN	
7	4759592		BRACKET PIPE SUPPORT ANGLED 4 SLOT	
8	4759590		BRACKET PIPE SUPPORT ANGLED 2 SLOT	
9	0056215	7	MOUNT,HEAVY DUTY,.313 HOLE SIZE	
10	0029998	7	TIE,CABLE,250 LB	
11	1435023	2	CAPSCREW,HEX HD,5/16-18, X, 3/4,GR5,	
12	0829390	2	NUT,HEX HD,5/16-18,SER WASHER,YEL ZN	
13	0052465		CABLE ASSY,POS,3/0,.406 X .343 X 45,LM,GN	
14	0052467		CABLE ASSY,NEG,3/0,.406 X .406 X 24,LM,BK	
22	0052468		CABLE ASSY,NEG,3/0,.406 X .343 X 20,LM,BK	
23	0052457		CABLE ASSY,POS,3/0,.406 X .343 X 360,LM,GN	
23	0052458		CABLE ASSY,POS,3/0,.406 X 343 X 420,LM,GN	
24	0052743		DIAGRAM,WRG,ENG,CAT 3126B W/EATON 6-SP	
36	0046371	2	THERMOSTAT ASSY,COMPARTMENT,ENGINE,	
37	0050610		HARNESS,WRG,FIRE DETECTOR, L4RE	

Models: **L4RE
ENGINE COMPARTMENT
WIRING
PAGE 2**
BSN: **From BSN F0143015**

Key	PartNumber	Qty	Description	Comment
-----	------------	-----	-------------	---------



Models: L4RE
ENGINE COMPARTMENT
WIRING
PAGE 2
BSN: From BSN F0143015

Key	PartNumber	Qty	Description	Comment
1	0092458		HARNESS,WRG,ENGINE BAY,ISB02,TCM ECU	FEATURE 40179-01, 02
1	0099726		HARNESS,WRG,ENGINE CNG,ALLISON GEN4	FEATURE 40180-01
2	0092327		HARNESS,WRG,TRANS ECU B300, GEN 4	FEATURE 40423-03, -04
3	0099529		HARNESS,WIRING,ASSY DATALINK J1939,	
4	0049134		HARNESS,WRG,UPPER REAR CLEARANCE LGTS,	
5	0065262		HARNESS,WRG,TAIL LIGHTS, L4RE	
6	0052478		CABLE ASSY,POS,6 GA,.343 X .343 X 185,LM,	FEATURE 40179-01, -02; 40180 -01
7	4759592		BRACKET PIPE SUPPORT ANGLED 4 SLOT	
8	4759590		BRACKET PIPE SUPPORT ANGLED 2 SLOT	
9	0056215	7	MOUNT,HEAVY DUTY,,.313 HOLE SIZE	
10	0029998	7	TIE,CABLE,250 LB	
11	1435023	2	CAPSCREW,HEX HD,5/16-18, X, 3/4,GR5,	
12	0829390	2	NUT,HEX HD,5/16-18,SER WASHER,YEL ZN	
13	0065992		CABLE ASSY,POS,3/0,.406 X .406 X 24,GN	
14	0052467		CABLE ASSY,NEG,3/0,.406 X .406 X 24,LM,BK	
15	0053168		RELAY,POWER,GRID HEATER,24V, L4RE	FEATURE 40179-01, -02; 40180 -01
16	1268119	2	SCREW,1/4-20X1/2,F,PH1,PAN HD,YEL ZN DICH	FEATURE 40179-01, -02
17	0971978	2	NUT,HEX HD,5/16,YELLOW DICHROMATE	
18	2001287	2	NUT,HEX HD,10-32,YEL ZN DICH	
19	1161322	AR	SEALANT,GLYPTAL RED ENAMEL,GE NO 1201	
20	0029999	AR	TIE,CABLE,120LB 15.25L	
21	1653948	21	TIE,CABLE,NYLON PUSH MOUNT	
22	0052468		CABLE ASSY,NEG,3/0,.406 X .343 X 20,LM,BK	

Models: L4RE
**ENGINE COMPARTMENT
 WIRING
 PAGE 2**
BSN: From BSN F0143015


Key	PartNumber	Qty	Description	Comment
23	0052457		CABLE ASSY,POS,3/0,.406 X .343 X 360,LM,GN	
23	0052458		CABLE ASSY,POS,3/0,.406 X 343 X 420,LM,GN	
24	0052473		CABLE ASSY,POS,6 GA,.406 X .343 X 42,LM,GN	FEATURE 40179-01, -02; 40180-01
25	0052478		CABLE ASSY,POS,6 GA,.343 X .343 X 185,LM,	FEATURE 40179-01, -02; 40180-01
26	0003311		HORN,BACKING ALARM,107 DB	
27	0977132	AR	CAPSCREW,HEX HD,1/4-20 X 3/4,GR 5,YEL	
28	0659979	AR	NUT,HEX,FLANGE SER,1/4-20,BLACK ZINC	
29	2003184	2	GROMMET,RUBBER,HEATER PANEL,1-1/4 IN. ID	
30	0043235		HOLDER,FUSE,MEGA,BUSSMANN"	
31	2000511	10	SCREW,10-16 X 1/2,AB,PH1,TRUSS HD,	
32	1627223	2	LIGHT ASSY,ENGINE COMPARTMENT,QB	
33	0056382	2	BRACKET,MTG,LIGHT,ENGINE CMPT, L4RE	
34	0065098		BOX,ASSY,REAR,ENGINE CONTROL, L4RE	FEATURE 40179-01, -02
35	2000081	2	CAPSCREW,HEX HD,1/4-20X1 1/2,GR8,YEL	
36	0064199	2	DIAGRAM,ASSY,HEAT SENSOR, L4RE	FEATURE 40179-01, -02
37	0050610		HARNES,WRG,FIRE DETECTOR, L4RE	FEATURE 40179-01, -02; 40180-01
38	2000511	4	SCREW,10-16 X 1/2,AB,PH1,TRUSS HD,	FEATURE 40179-01, -02
39	0006151		FUSE,MEGA,125 AMP	FEATURE 40179-01, -02
40	0060117		MODULE,COOLANT,ISB.02,BORG WARNER	FEATURE 40179-01, -02
41	0060118		MODULE,COOLANT,ISB4,BORG WARNER	FEATURE 40180-01
42	0066072		HARNES,WRG,WEBASTO,L4RE	FEATURE 1345-02
43	1247709	2	WASHER,FLAT,17/64 ID X,5/8,YEL ZN DICH	FEATURE 40179-01, -02

Models: L4RE
ENGINE COMPARTMENT
WIRING
PAGE 2
BSN: From BSN F0143015

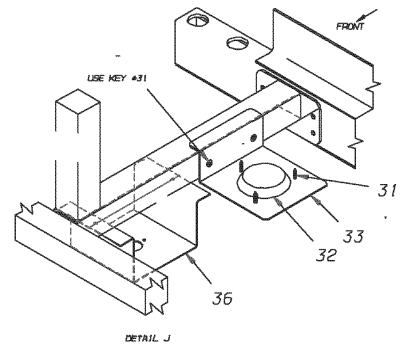
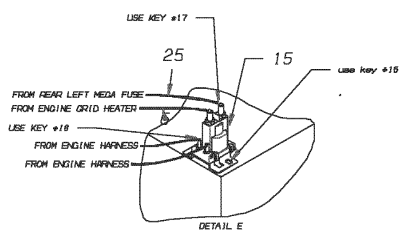
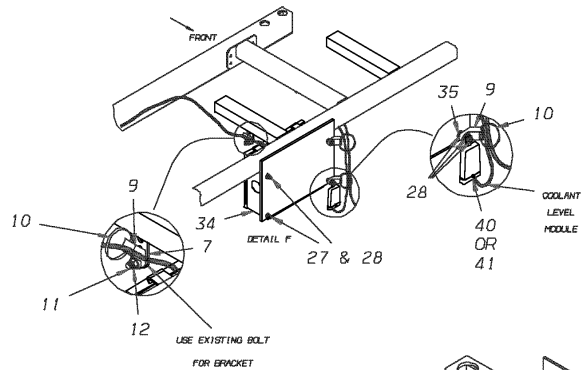
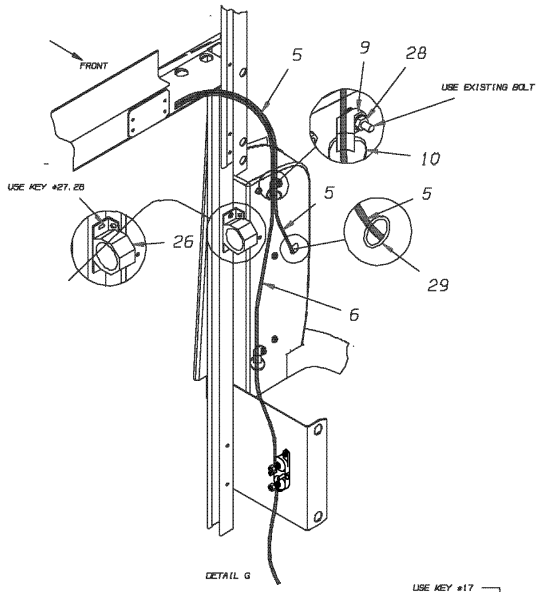
Key	PartNumber	Qty	Description	Comment
44	0052477		CABLE ASSY,POS,6 GA,.281 X .343 X 65,LM,GN	-01
45	0599704	AR	TIE,CABLE,NYLON	

**Models: L4RE
ENGINE COMPARTMENT
WIRING
PAGE 3
To BSN F0143014**

Key	PartNumber	Qty	Description	Comment
-----	------------	-----	-------------	---------

DR. 1-6-03	BY MC	00562923	B	
APP.	BY	FRT	REV. 1	

© BLUE BIRD BODY COMPANY. ALL RIGHTS RESERVED



**Models: L4RE
ENGINE COMPARTMENT
WIRING
PAGE 3
To BSN F0143014**


Key	PartNumber	Qty	Description	Comment
5	0049091		HARNES,WRG,TAIL LIGHT, L4RE	
6	0052477		CABLE ASSY,POS,6 GA,,.281 X .343 X 65,LM,GN	
7	4759592		BRACKET PIPE SUPPORT ANGLED 4 SLOT	
9	0056215	7	MOUNT,HEAVY DUTY,,.313 HOLE SIZE	
10	0029998	7	TIE,CABLE,250 LB	
11	1435023	2	CAPSCREW,HEX HD,5/16-18, X, 3/4,GR5,	
12	0829390	2	NUT,HEX HD,5/16-18,SER WASHER,YEL ZN	
15	0053168		RELAY,POWER,GRID HEATER,24V, L4RE	
16	1268119	2	SCREW,1/4-20X1/2,F,PH1,PAN HD,YEL ZN DICH	
17	0971978	2	NUT,HEX HD,5/16,YELLOW DICHROMATE	
25	0052478		CABLE ASSY,POS,6 GA,,.343 X .343 X 185,LM,	
26	0003311		HORN,BACKING ALARM,107 DB	
27	0977132	4	CAPSCREW,HEX HD,1/4-20 X 3/4,GR 5,YEL	
28	0659979	6	NUT,HEX,FLANGE SER,1/4-20,BLACK ZINC	
29	2003184	2	GROMMET,RUBBER,HEATER PANEL,1-1/4 IN. ID	
30	0043235		HOLDER,FUSE,MEGA,BUSSMANN"	
31	2000511	10	SCREW,10-16 X 1/2,AB,PH1,TRUSS HD,	
32	1627223	2	LIGHT ASSY,ENGINE COMPARTMENT,QB	
33	0056382	2	BRACKET,MTG,LIGHT,ENGINE CMPT, L4RE	
34	0048686		BOX ASSY,REAR,CONTROL, L4RE	
35	2000081	2	CAPSCREW,HEX HD,1/4-20X1 1/2,GR8,YEL	
36	0046371	2	THERMOSTAT ASSY,COMPARTMENT,ENGINE,	
37	0050610		HARNES,WRG,FIRE DETECTOR, L4RE	

**Models: L4RE
ENGINE COMPARTMENT
WIRING
PAGE 3
To BSN F0143014**

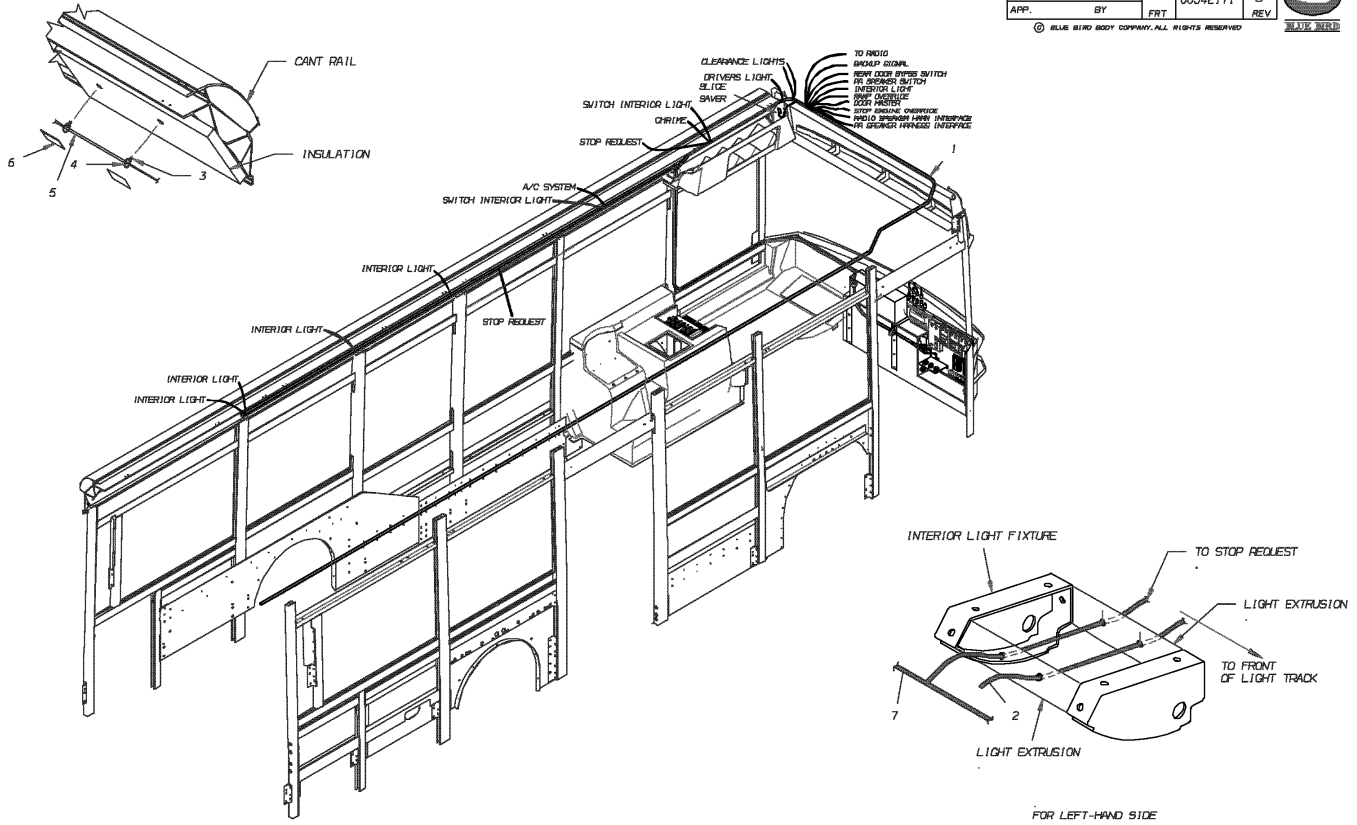
Key	PartNumber	Qty	Description	Comment
38	2000511	4	SCREW,10-16 X 1/2,AB,PH1,TRUSS HD,	
39	0006151		FUSE,MEGA,125 AMP	
40	0060117		MODULE,COOLANT,ISB.02,BORG WARNER	<i>FEATURE 40179-01, -02</i>
41	0060118		MODULE,COOLANT,ISB4,BORG WARNER	<i>FEATURE 40180-01</i>

**Models: L4RE
HARNES ROUTING
BODY
PAGE 1**

Key	PartNumber	Qty	Description	Comment
-----	------------	-----	-------------	---------

DR. 12-20-02	BY MC	00542171	B	
APP.	BY	FRT	REV	

© BLUE BIRD BODY COMPANY. ALL RIGHTS RESERVED

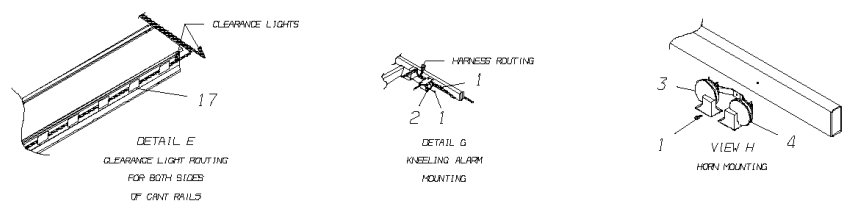
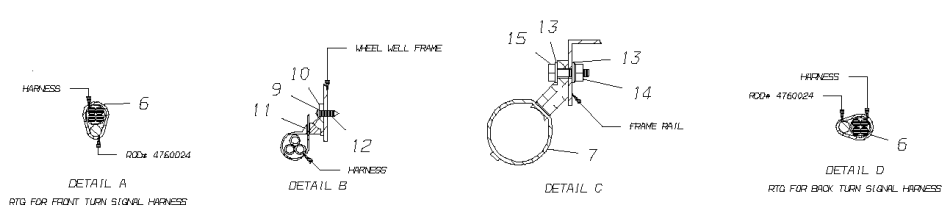
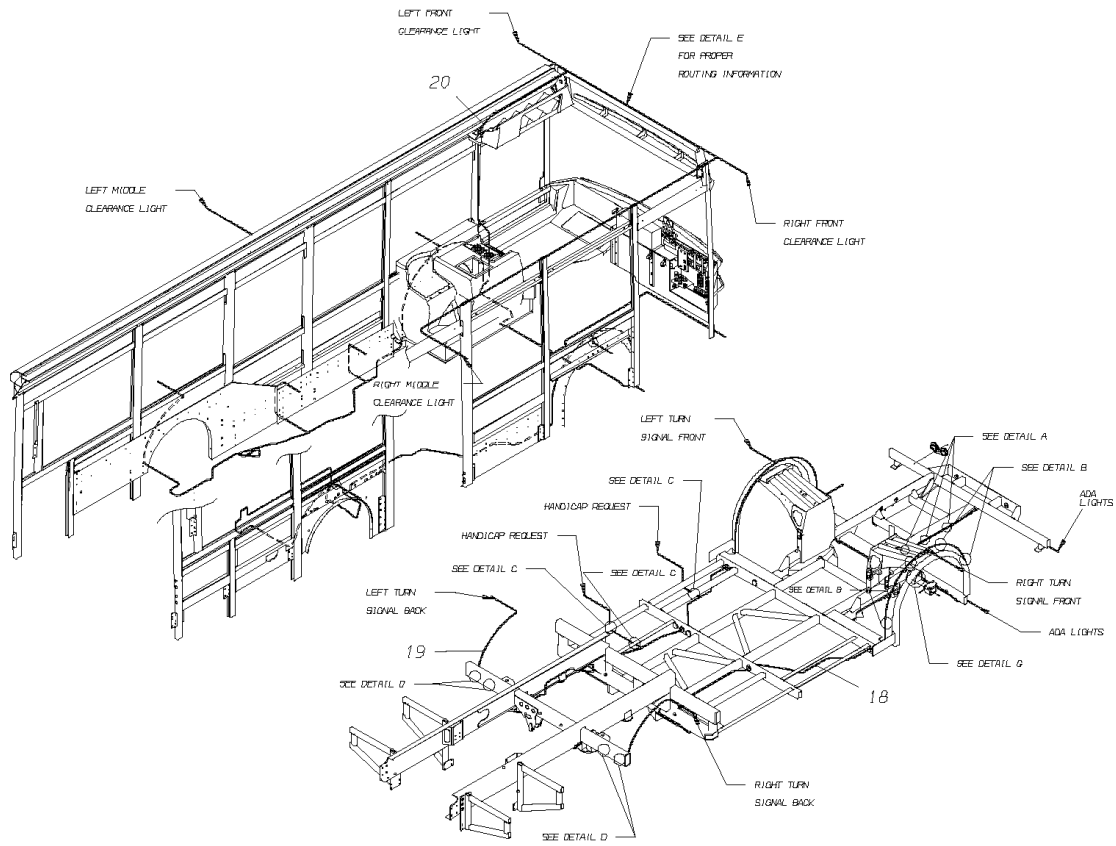


Models: L4RE
HARNES ROUTING
BODY
PAGE 1

Key	PartNumber	Qty	Description	Comment
1	0050143		HARNES,WRG,MAIN INTERIOR, L4RE	
2	0050414		HARNES,WRG,8 SPEAKER, L4RE	STANDARD FOR 222 WHEELBASE
2	0050661		HARNES,WRG,6 SPEAKER,L4RE	STANDARD FOR 157 WHEELBASE
3	0051810	47	MOUNT,CABLE TIE,BLIND	
4	0599704	47	TIE,CABLE,NYLON	
5	2029601		STEEL,ROUND,3/16 12FT CF 1.13 LB	
6	1582600	15	TAPE,REPAIR,FOIL,INSULATION,3" X 50 YDS	
7	0060338		HARNES,WRG,STANCHION SWITCHES,R/S,	
NI	0060339		HARNES,WRG,STANCHION SWITCHES,C/S,	

**Models: L4RE
HARNES ROUTING
BODY AND CHASSIS**

Key	PartNumber	Qty	Description	Comment
-----	------------	-----	-------------	---------



**Models: L4RE
HARNES ROUTING
BODY AND CHASSIS**

Key	PartNumber	Qty	Description	Comment
1	1409788	3	SCREW,1/4-20 X 3/4,D,HEX HD,YEL ZN DICH	
2	0003311		HORN,BACKING ALARM,107 DB	
3	0054196		HORN ASSY,HIGH NOTE,24V"	
4	0055903		HORN ASSY,LOW NOTE,24V	
5	0038872	2	GROMMET,DIAPHRAGM,.437 X .062 X .312	
6	0599704		TIE,CABLE,NYLON	
7	0029998		TIE,CABLE,250 LB	
8	0029999		TIE,CABLE,120LB 15.25L	
9	2001105	5	WASHER,FLAT,13/64 X,1/2 X 3/64,YEL ZN DICH	
10	3799475	5	CLIP,MTG,TIE STRAP,PANDUIT	
11	3799483	5	STRAP,TIE,PANDUIT	
12	0864579	5	SCREW,10-16 X 3/4,AB,PH1,PAN HD,SST	
13	1247709	3	WASHER,FLAT,17/64 ID X,5/8,YEL ZN DICH	
14	1465947	3	NUT,HEX HD,1/4-20,LK,NYLON INSERT,YEL	
15	1376086	3	SCREW,MACH,1/4-20 X 1,HEX,BLK	
16	0024168	3	MOUNT,HEAVY DUTY,.25 HOLE SIZE	
17	1582600		TAPE,REPAIR,FOIL,INSULATION,3" X 50 YDS	
18	0057060		HARNES,WRG,ROAD SIDE UNDER FLOOR,	
19	0057576		HARNES,WRG,CURB SIDE UNDER FLOOR, L4RE	
20	0050143		HARNES,WRG,MAIN INTERIOR, L4RE	

Models: **L4RE
HARNESSES**

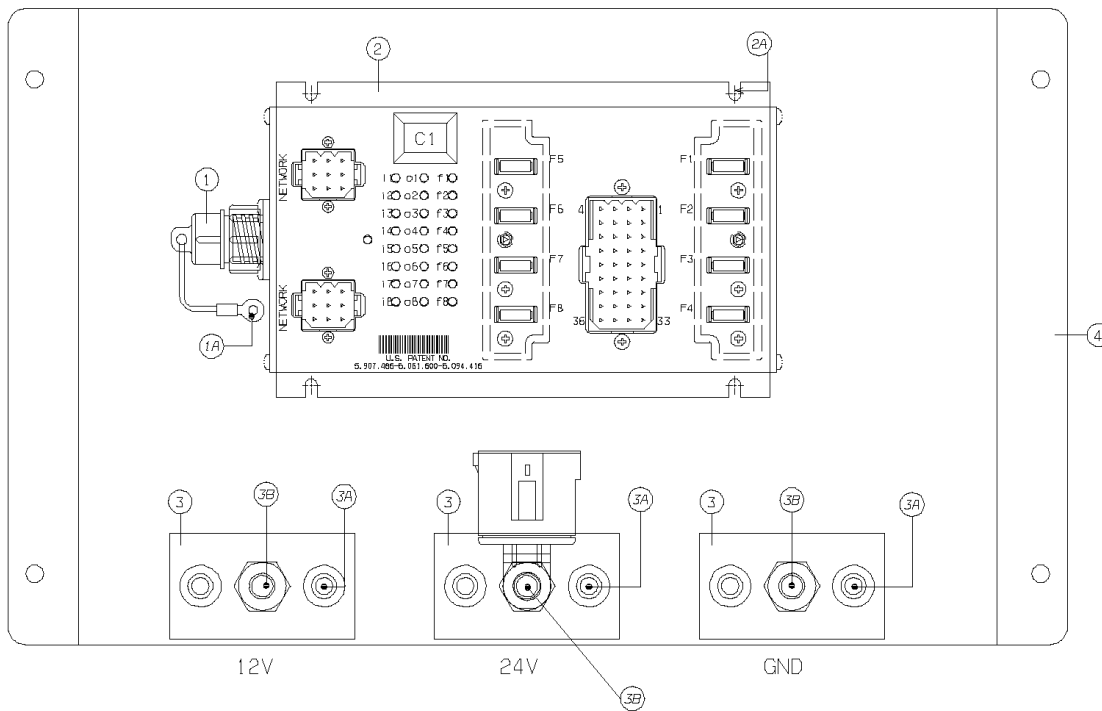
Key	PartNumber	Qty	Description	Comment
	0049056		HARNESS,WRG,SHIFT SELECTOR,B300, L4RE	
	0049061		HARNESS,WRG,BENDIX ABS 4S/4M LFW, L4RE	
	0049091		HARNESS,WRG,TAIL LIGHT, L4RE	
	0049134		HARNESS,WRG,UPPER REAR CLEARANCE LGTS,	
	0049164		HARNESS,WRG,TRANSMISSION SENSORS,B300	
	0049178		HARNESS ASSY,DATALINK,J1939, L4RE	
	0049180		HARNESS,WRG,DATALINK,J1939,DATA EXT 6	
	0049186		HARNESS,WRG,DATALINK,J1939,DATA EXT 72	
	0049181		HARNESS,WRG,DATALINK,J1939,ECU	
	0049182		HARNESS,WRG,DATALINK,J1939,BKHD TO ENG	
	0049183		HARNESS,WRG,DATALINK,J1939,W/SHIELD	
	0049184		HARNESS,WRG,DATALINK,J1939,DIAGNOSTIC	
	0049185		HARNESS,WRG,TRANSMISSION ECU,B300,L4RE	
	0049186		HARNESS,WRG,DATALINK,J1939,DATA EXT 72	
	0049246		HARNESS,WRG,DATALOOP,TYPE A 16.00, L4RE	
	0049247		HARNESS,WRG,DATALOOP,TYPE A 100.00, L4RE	
	0049248		HARNESS,WRG,DATALOOP,TYPE A 48.00, L4RE	
	0049249		HARNESS,WRG,DATALOOP,TYPE A 300.00, L4RE	
	0049250		HARNESS,WRG,DATALOOP,TYPE A 330.00, L4RE	
	0049251		HARNESS,WRG,DATALOOP,TYPE A 720.00, L4RE	
	0049252		HARNESS,WRG,DATALOOP,TYPE B 16.00, L4RE	
	0049253		HARNESS,WRG,DATALOOP,TYPE B 36.00, L4RE	
	0049305		HARNESS,WRG,TRANSMISSION SENSORS,2000,	

**Models: L4RE
HARNESSES**

Key	PartNumber	Qty	Description	Comment
	0049306		HARNESS,WRG,TRANSMISSION ECU,2000, L4RE	
	0049432		HARNESS,WRG,ENGINE BAY,ISBO2, L4RE	
	0049584		HARNESS,WRG,D ZONE TO REAR BULKHEAD,	
	0049637		HARNESS,WRG,C2 ZONE TO REAR DOOR, L4RE	
	0049859		HARNESS,WRG,ADA COMPLIANCE, L4RE	
	0049887		HARNESS,WRG,C1 ZONE TO FRONT DOOR,	
	0049892		HARNESS,WRG,EXPELLO VALVE, L4RE	
	0049893		HARNESS,WRG,DASH, L4RE	
	0049988		HARNESS,WRG,MORSE THROT INTFC,CUMMINS,	
	0050023		HARNESS,WRG,MAIN FRONT,L4RE	
	0050143		HARNESS,WRG,MAIN INTERIOR, L4RE	
	0050414		HARNESS,WRG,8 SPEAKER, L4RE	
	0050581		HARNESS,WRG,ENGINE BAY B5.9 G PLUS, L4RE	
	0050610		HARNESS,WRG,FIRE DETECTOR, L4RE	
	0050661		HARNESS,WRG,6 SPEAKER,L4RE	

Models: **L4RE
PANEL ASSEMBLIES
C1-ZONE**

Key	PartNumber	Qty	Description	Comment
-----	------------	-----	-------------	---------

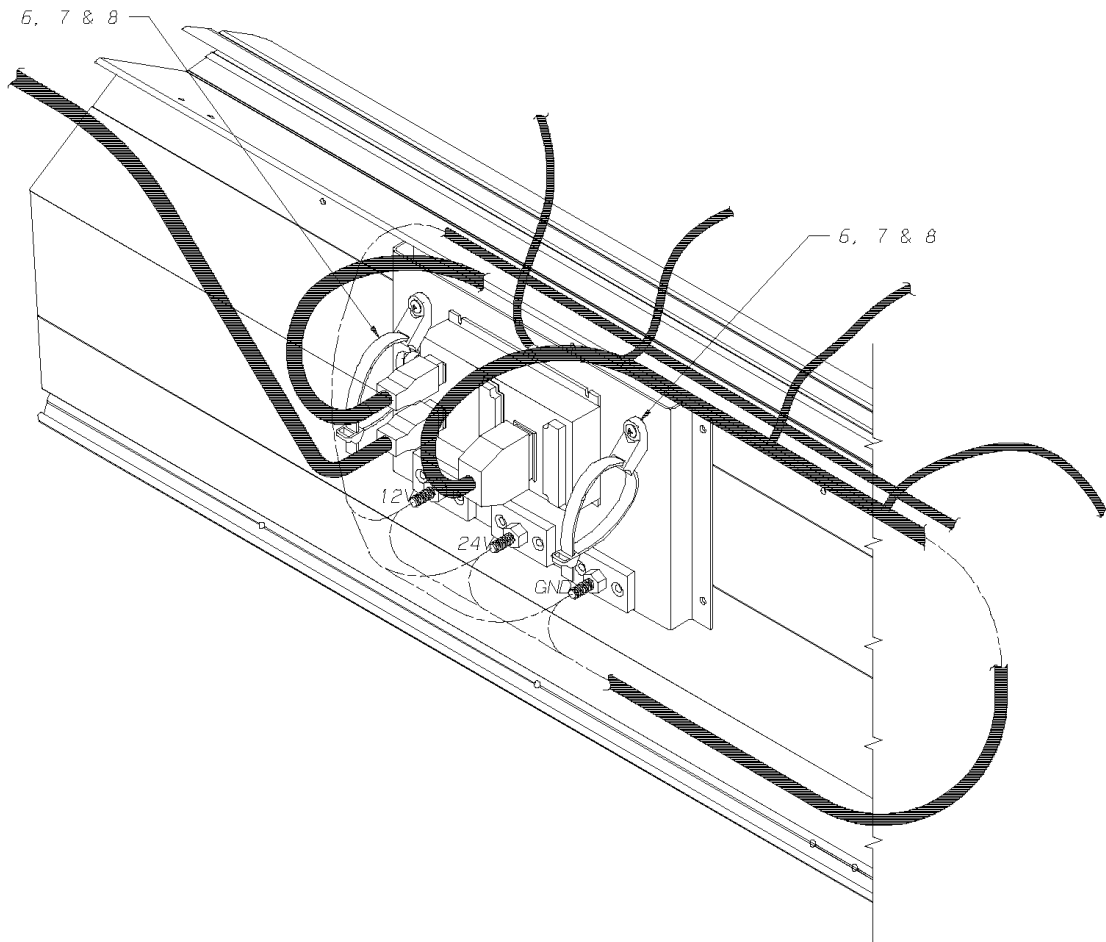


**Models: L4RE
PANEL ASSEMBLIES
C1-ZONE**

Key	PartNumber	Qty	Description	Comment
1	4758599		ID KEY - C1	
1A	1925833		SCREW,8-18 X 1/2,AB,PH1,PAN HD,BLK ZN	
2	4758595		T2-DIO-888,HIGH SPEED CELL NET	
2A	1925833	4	SCREW,8-18 X 1/2,AB,PH1,PAN HD,BLK ZN	
3	0553131	3	STUD,TERMINAL,BAT CABLE JUNCTION,NO	
3A	1621333	6	SCREW,MACH,1/4-20X1,PH1,FLT CSNK,	
	0659979	6	NUT,HEX,FLANGE SER,1/4-20,BLACK ZINC	
3B	2001451	3	NUT,HEX HD,3/8-16,YELLOW DICHROMATE	
	0882795	3	LOCKWASHER,SPLIT RING,3/8,MED,YELLOW	
	1078922	3	WASHER,FLAT,3/8 X 7/8 X 5/64,YEL ZN DICH	
4	0049322		PANEL,MTG,C1,C2-ZONE ASSY, L4RE	

Models: **L4RE
PANEL ASSEMBLIES
C1-ZONE
INSTALLATION**

Key	PartNumber	Qty	Description	Comment
-----	------------	-----	-------------	---------

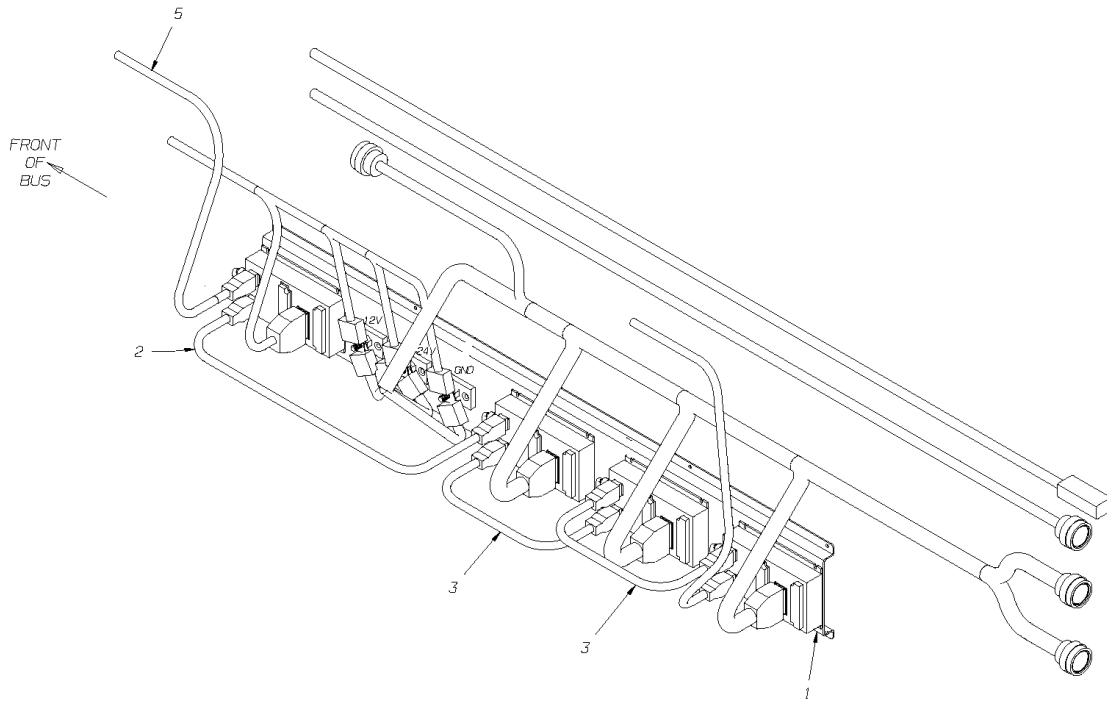


**Models: L4RE
 PANEL ASSEMBLIES
 C1-ZONE
 INSTALLATION**

Key	PartNumber	Qty	Description	Comment
1	0049323		PANEL ASSY,C1-ZONE, L4RE	
2	0049887		HARNESS,WRG,C1 ZONE TO FRONT DOOR,	
3	0049250		HARNESS,WRG,DATALOOP,TYPE A 330.00, L4RE	
4	0049249		HARNESS,WRG,DATALOOP,TYPE A 300.00, L4RE	
5	1589522	4	SCREW,10-16 X 3/4,AB,PH1,PAN HD,YEL ZN	
6	0024168	2	MOUNT,HEAVY DUTY,.25 HOLE SIZE	
7	0029998	2	TIE,CABLE,250 LB	
8	1268119	2	SCREW,1/4-20X1/2,F,PH1,PAN HD,YEL ZN DICH	

Models: **L4RE
PANEL ASSEMBLIES
D1, D2, D3-ZONE, INSTALLATION**

Key	PartNumber	Qty	Description	Comment
-----	------------	-----	-------------	---------

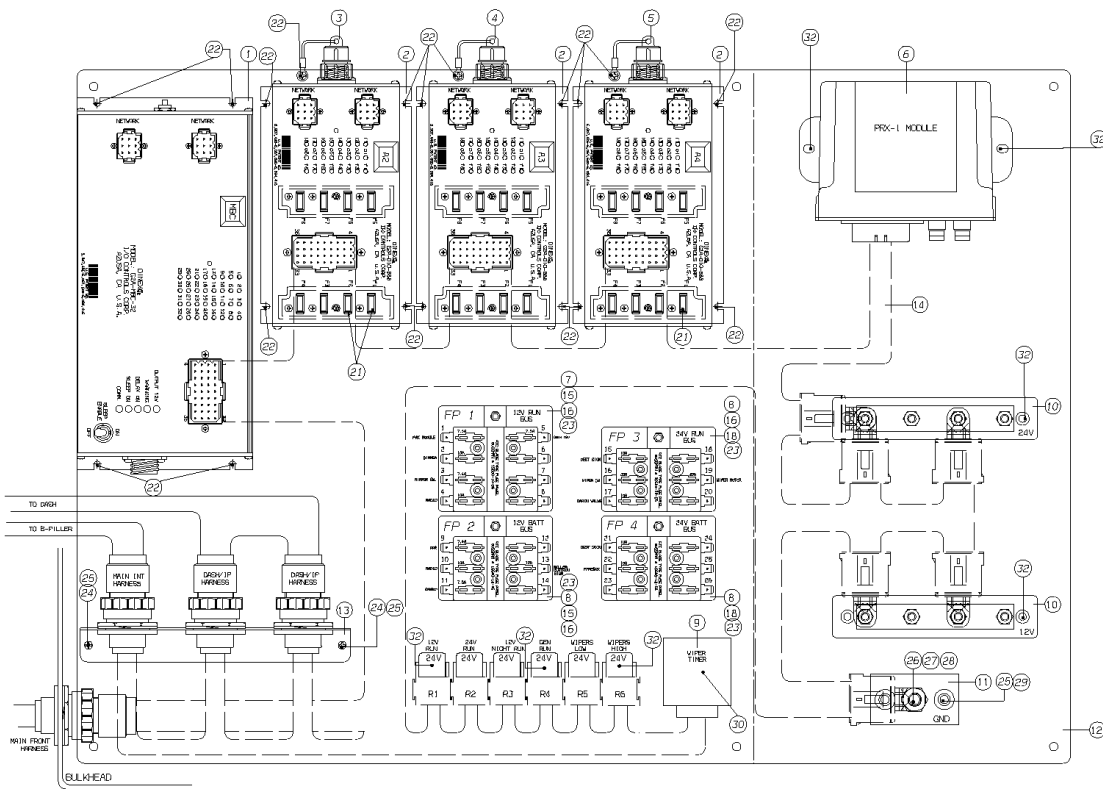


**Models: L4RE
 PANEL ASSEMBLIES
 D1, D2, D3-ZONE, INSTALLATION**

Key	PartNumber	Qty	Description	Comment
1	0049325		PANEL ASSY,D1,D2,D3-ZONE, L4RE	
2	0049248		HARNESS,WRG,DATALOOP,TYPE A 48.00, L4RE	
3	0049246	2	HARNESS,WRG,DATALOOP,TYPE A 16.00, L4RE	
4	1589522	10	SCREW,10-16 X 3/4,AB,PH1,PAN HD,YEL ZN	
5	0049249		HARNESS,WRG,DATALOOP,TYPE A 300.00, L4RE	

Models: **L4RE
 PANEL ASSEMBLIES
 FRONT MAIN ELECTRICAL
 To CSN F40142580**

Key	PartNumber	Qty	Description	Comment
-----	------------	-----	-------------	---------



**Models: L4RE
 PANEL ASSEMBLIES
 FRONT MAIN ELECTRICAL
 To CSN F40142580**

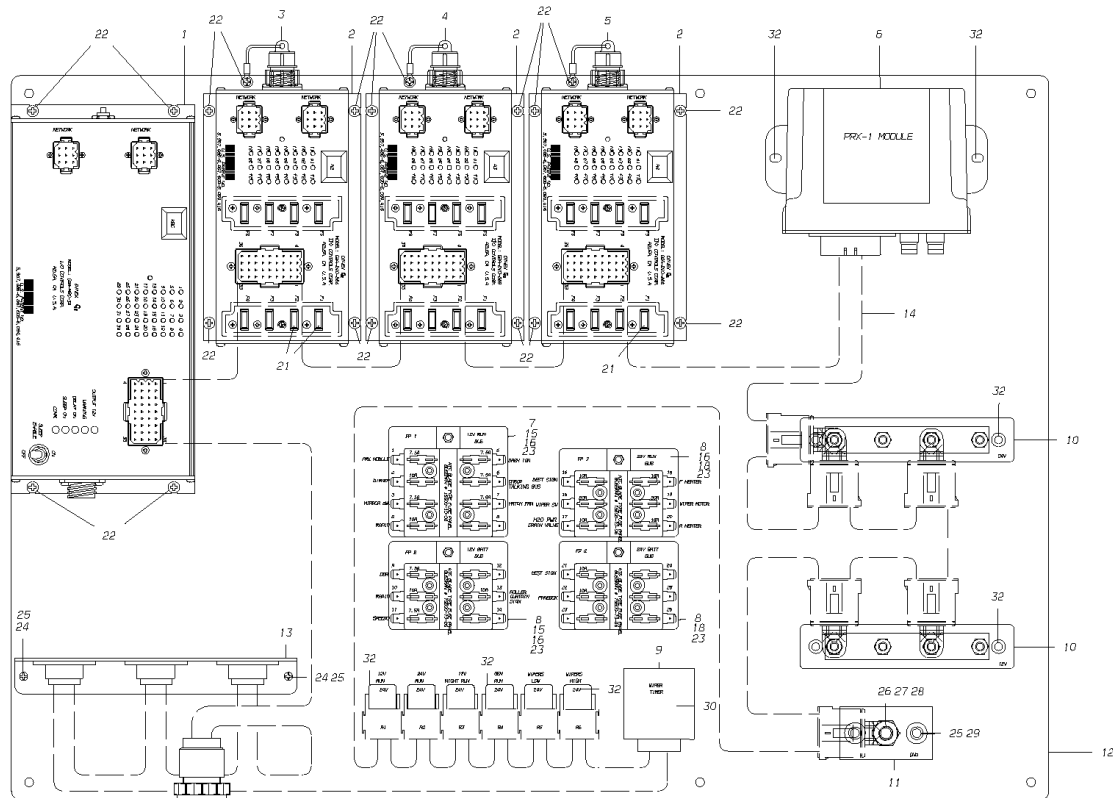
Key	PartNumber	Qty	Description	Comment
1	4758594		MODULE,I/O,G2-A-MBC-32,MAIN BUS	
2	4758595	3	T2-DIO-888,HIGH SPEED CELL NET	
3	4758596		ID KEY - A2	
4	4758597		ID KEY - A3	
5	4758598		ID KEY - A4	
6	0051059		ECU,INSTRUMENTATION,1587,PI,PRX1-C,L4RE	
7	0041386		PANEL,FUSE,8 POSITION	
8	0049581	3	PANEL,FUSE,6 POSITION	
9	0049628		TIMER,WIPER,HELLA/SWG,002 450 19 SWORDS	
10	0049627	2	BUSBAR,BLOCK,NO #16,WES GARDE,2303	
11	0553131		STUD,TERMINAL,BAT CABLE JUNCTION,NO	
12	0049531		PANEL,MTG,FRONT MAIN ELECTRICAL, L4RE	
13	0049533		BRACKET,MTG,FRONT MAIN,PLUGS HPD, L4RE	
14	0049552		HARNES,WRG,MAIN ELECTRICAL PANEL, L4RE	
15	0042298	5	BREAKER,CIRC,BUSM-400,MAN RESET,7.5A	
16	0042300	8	BREAKER,CIRC,BUSM-400,MAN RESET,10A	
17	0042301		BREAKER,CIRC,BUSM-400,MAN RESET,15A	
18	0042302	2	BREAKER,CIRC,BUSM-400,MAN RESET,20A	
19	0042303		BREAKER,CIRC,BUSM-400,MAN RESET,25A	
20	0042367		BREAKER,CIRC,BUSM-400,MAN RESET,30A	
21	1953223	3	FUSE,MINI,15 AMPS,RCDA	
22	1925833	19	SCREW,8-18 X 1/2,AB,PH1,PAN HD,BLK ZN	
23	0037126	16	SCREW,10-32 X 1,F,PH1,PAN HD,YEL ZN DICH	

**Models: L4RE
 PANEL ASSEMBLIES
 FRONT MAIN ELECTRICAL
 To CSN F40142580**

Key	PartNumber	Qty	Description	Comment
24	0977132	3	CAPSCREW,HEX HD,1/4-20 X 3/4,GR 5,YEL	
25	0659979	5	NUT,HEX,FLANGE SER,1/4-20,BLACK ZINC	
26	2001451		NUT,HEX HD,3/8-16,YELLOW DICHROMATE	
27	0882795		LOCKWASHER,SPLIT RING,3/8,MED,YELLOW	
28	1078922		WASHER,FLAT,3/8 X 7/8 X 5/64,YEL ZN DICH	
29	1621333	2	SCREW,MACH,1/4-20X1,PH1,FLT CSNK,	
30	1653948	10	TIE,CABLE,NYLON PUSH MOUNT	
31	1953207	2	FUSE,MINI,10 AMPS,RCDA	
32	0019061	9	SCREW,10-32 X 1/2,F,PH1,PAN HD,BLACK ZINC	

Models: L4RE
PANEL ASSEMBLIES
FRONT MAIN ELECTRICAL
BSN: From CSN F40142581

Key	PartNumber	Qty	Description	Comment
-----	------------	-----	-------------	---------



**Models: L4RE
 PANEL ASSEMBLIES
 FRONT MAIN ELECTRICAL
 BSN: From CSN F40142581**

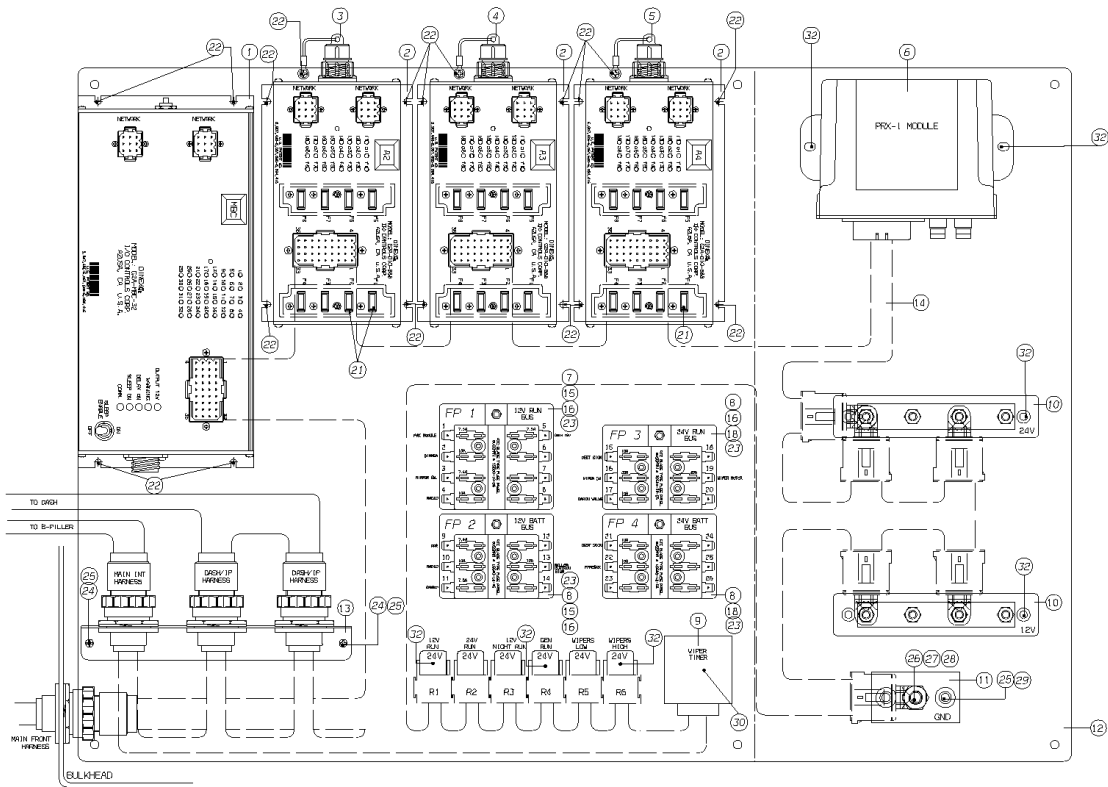
Key	PartNumber	Qty	Description	Comment
	0064013		PANEL,ASSY,FRONT MAIN ELECTRICAL, L4RE	
1	4758594		MODULE,I/O,G2-A-MBC-32,MAIN BUS	
2	4758595	3	T2-DIO-888,HIGH SPEED CELL NET	
3	4758596		ID KEY - A2	
4	4758597		ID KEY - A3	
5	4758598		ID KEY - A4	
6	0062159		ECU,INST,1587,PI,PRX1-F	
7	0041386		PANEL,FUSE,8 POSITION	
8	0049581	3	PANEL,FUSE,6 POSITION	
9	0049628		TIMER,WIPER,HELLA/SWG,002 450 19 SWORDS	
10	0049627	2	BUSBAR,BLOCK,NO #16,WES GARDE,2303	
11	0553131		STUD,TERMINAL,BAT CABLE JUNCTION,NO	
12	0049531		PANEL,MTG,FRONT MAIN ELECTRICAL, L4RE	
13	0049533		BRACKET,MTG,FRONT MAIN,PLUGS HPD, L4RE	
14	0065170		HARNESS,WRG,MAIN,ELECTRICAL PANEL, L4RE	
15	0042298	5	BREAKER,CIRC,BUSM-400,MAN RESET,7.5A	
16	0042300	8	BREAKER,CIRC,BUSM-400,MAN RESET,10A	
17	0042301		BREAKER,CIRC,BUSM-400,MAN RESET,15A	
18	0042302	2	BREAKER,CIRC,BUSM-400,MAN RESET,20A	
19	0042303		BREAKER,CIRC,BUSM-400,MAN RESET,25A	
20	0042367		BREAKER,CIRC,BUSM-400,MAN RESET,30A	
21	1953223	3	FUSE,MINI,15 AMPS,RCDA	
22	1925833	19	SCREW,8-18 X 1/2,AB,PH1,PAN HD,BLK ZN	

Models: L4RE
PANEL ASSEMBLIES
FRONT MAIN ELECTRICAL
BSN: From CSN F40142581

Key	PartNumber	Qty	Description	Comment
23	0037126	16	SCREW,10-32 X 1,F,PH1,PAN HD,YEL ZN DICH	
24	0977132	3	CAPSCREW,HEX HD,1/4-20 X 3/4,GR 5,YEL	
25	0659979	5	NUT,HEX,FLANGE SER,1/4-20,BLACK ZINC	
26	2001451		NUT,HEX HD,3/8-16,YELLOW DICHROMATE	
27	0882795		LOCKWASHER,SPLIT RING,3/8,MED,YELLOW	
28	1078922		WASHER,FLAT,3/8 X 7/8 X 5/64,YEL ZN DICH	
29	1621333	2	SCREW,MACH,1/4-20X1,PH1,FLT CSNK,	
30	1653948	10	TIE,CABLE,NYLON PUSH MOUNT	
31	1953207	2	FUSE,MINI,10 AMPS,RCDA	
32	0019061	9	SCREW,10-32 X 1/2,F,PH1,PAN HD,BLACK ZINC	

**Models: L4RE
PANEL ASSEMBLIES
FRONT MAIN ELECTRICAL**

Key	PartNumber	Qty	Description	Comment
-----	------------	-----	-------------	---------



**Models: L4RE
 PANEL ASSEMBLIES
 FRONT MAIN ELECTRICAL**

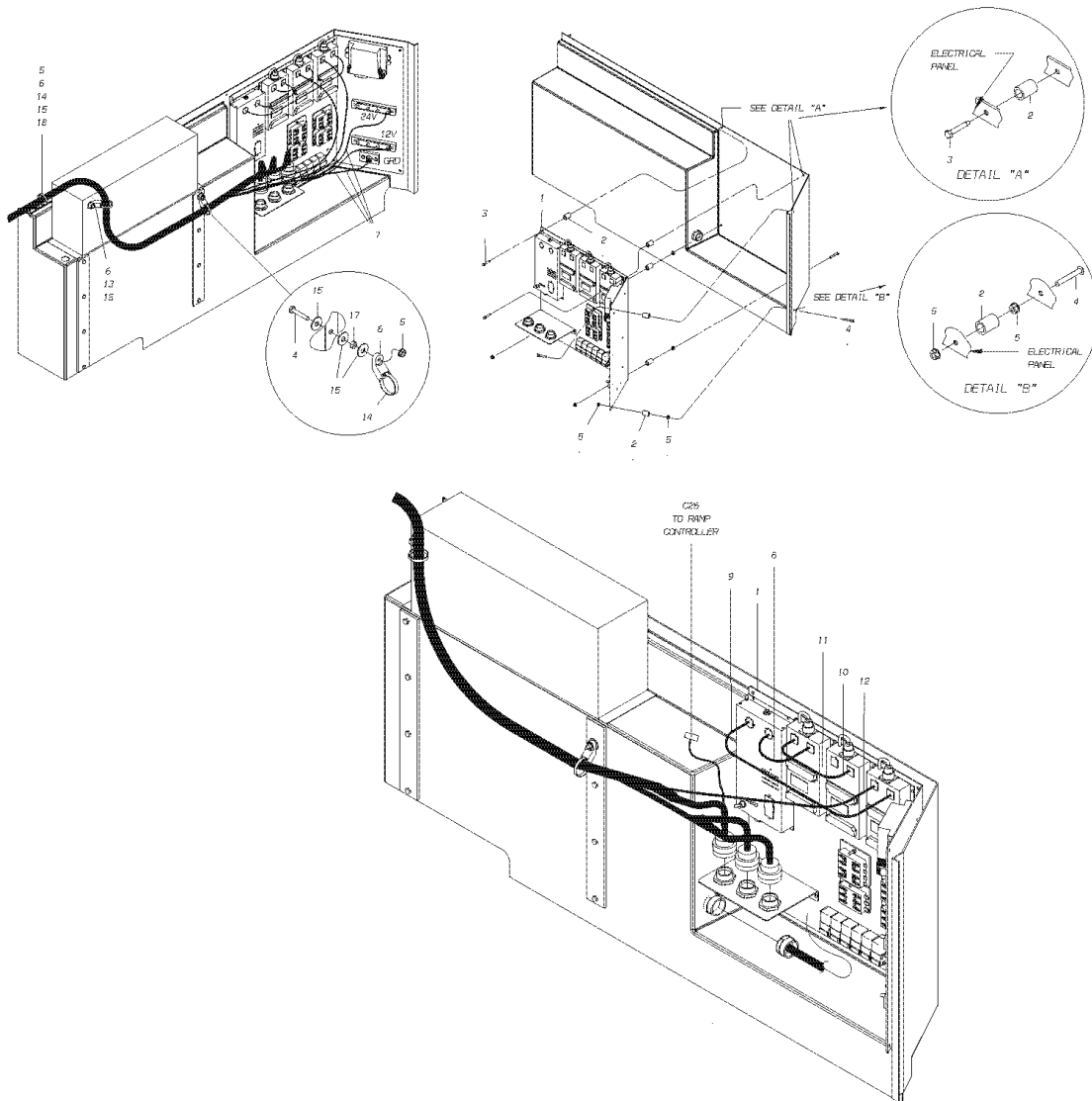
Key	PartNumber	Qty	Description	Comment
	0049532		PANEL ASSY,FRONT MAIN ELECTRICAL, L4RE	
1	4758594		MODULE,I/O,G2-A-MBC-32,MAIN BUS	
2	4758595	3	T2-DIO-888,HIGH SPEED CELL NET	
3	4758596		ID KEY - A2	
4	4758597		ID KEY - A3	
5	4758598		ID KEY - A4	
6	0051059		ECU,INSTRUMENTATION,1587,PI,PRX1-C,L4RE	
7	0041386		PANEL,FUSE,8 POSITION	
8	0049581	3	PANEL,FUSE,6 POSITION	
9	0049628		TIMER,WIPER,HELLA/SWG,002 450 19 SWORDS	
10	0049627	2	BUSBAR,BLOCK,NO #16,WES GARDE,2303	
11	0553131		STUD,TERMINAL,BAT CABLE JUNCTION,NO	
12	0049531		PANEL,MTG,FRONT MAIN ELECTRICAL, L4RE	
13	0049533		BRACKET,MTG,FRONT MAIN,PLUGS HPD, L4RE	
14	0049552		HARNESS,WRG,MAIN ELECTRICAL PANEL, L4RE	
15	0042298	5	BREAKER,CIRC,BUSM-400,MAN RESET,7.5A	
16	0042300	7	BREAKER,CIRC,BUSM-400,MAN RESET,10A	
17	0042301		BREAKER,CIRC,BUSM-400,MAN RESET,15A	
18	0042302		BREAKER,CIRC,BUSM-400,MAN RESET,20A	
19	0042303		BREAKER,CIRC,BUSM-400,MAN RESET,25A	
20	0042367		BREAKER,CIRC,BUSM-400,MAN RESET,30A	
21	1953223	3	FUSE,MINI,15 AMPS,RCDA	
22	1925833	19	SCREW,8-18 X 1/2,AB,PH1,PAN HD,BLK ZN	

Models: L4RE
PANEL ASSEMBLIES
FRONT MAIN ELECTRICAL

Key	PartNumber	Qty	Description	Comment
23	0037126	16	SCREW,10-32 X 1,F,PH1,PAN HD,YEL ZN DICH	
24	0977132	3	CAPSCREW,HEX HD,1/4-20 X 3/4,GR 5,YEL	
25	0659979	5	NUT,HEX,FLANGE SER,1/4-20,BLACK ZINC	
26	2001451		NUT,HEX HD,3/8-16,YELLOW DICHROMATE	
27	0882795		LOCKWASHER,SPLIT RING,3/8,MED,YELLOW	
28	1078922		WASHER,FLAT,3/8 X 7/8 X 5/64,YEL ZN DICH	
29	1621333	2	SCREW,MACH,1/4-20X1,PH1,FLT CSNK,	
30	1653948		TIE,CABLE,NYLON PUSH MOUNT	
31	1953207	2	FUSE,MINI,10 AMPS,RCDA	
32	0019061	9	SCREW,10-32 X 1/2,F,PH1,PAN HD,BLACK ZINC	

**Models: L4RE
 PANEL ASSEMBLIES
 FRONT MAIN ELECTRICAL
 INSTALLATION
 To CSN F40142580**

Key	PartNumber	Qty	Description	Comment
-----	------------	-----	-------------	---------

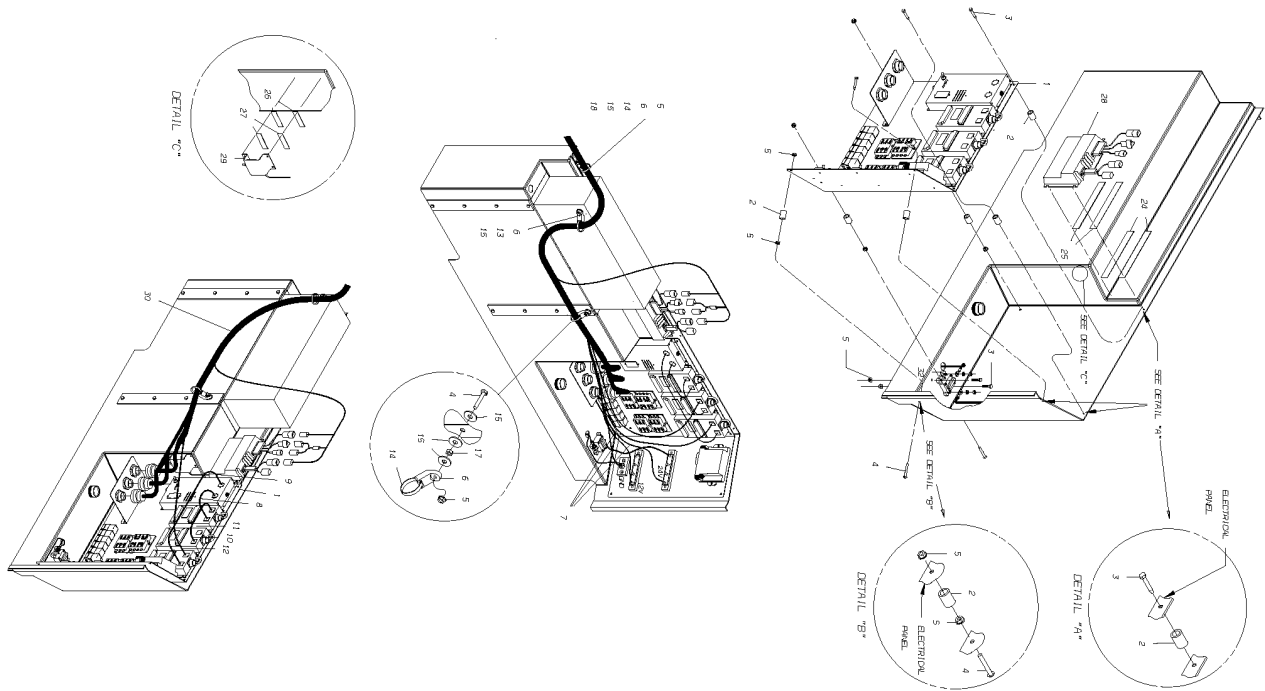


**Models: L4RE
 PANEL ASSEMBLIES
 FRONT MAIN ELECTRICAL
 INSTALLATION
 To CSN F40142580**

Key	PartNumber	Qty	Description	Comment
1	0049532		PANEL ASSY,FRONT MAIN ELECTRICAL, L4RE	
2	0053062	6	SPACER,.625 OD X 16 GA X.93 LONG	
3	2000099	3	SCREW,1/4-20 X 1-1/2,D,HEX HD,YEL ZN DICH"	
4	1678366	4	SCREW,MACH,1/4-20X1-1/2,PH1,RD HD,	
5	0659979	8	NUT,HEX,FLANGE SER,1/4-20,BLACK ZINC	
6	0024168	3	MOUNT,HEAVY DUTY,.25 HOLE SIZE	
7	0052451		CABLE ASSY,FRONT PDU POWER, L4RE	
8	0049252		HARNESS,WRG,DATALOOP,TYPE B 16.00, L4RE	
9	0049253		HARNESS,WRG,DATALOOP,TYPE B 36.00, L4RE	
10	0049246		HARNESS,WRG,DATALOOP,TYPE A 16.00, L4RE	
11	0049247		HARNESS,WRG,DATALOOP,TYPE A 100.00, L4RE	
12	0049251		HARNESS,WRG,DATALOOP,TYPE A 720.00, L4RE	
13	1576172		SCREW,HEX,WASH,5/16X3/4,TYPE F,YEL ZN	
14	0029998	3	TIE,CABLE,250 LB	
15	1247709	6	WASHER,FLAT,17/64 ID X,5/8,YEL ZN DICH	
16	2003234		GROMMET,RUBBER,CHASSIS COWL WIRES,3/4	
17	1465947		NUT,HEX HD,1/4-20,LK,NYLON INSERT,YEL	
18	0870477		CAPSCREW,HEX HD,1/4-20 X 1,GR 8,YEL ZN	

Models: L4RE
PANEL ASSEMBLIES
FRONT MAIN ELECTRICAL
INSTALLATION
BSN: From CSN F40142581

Key	PartNumber	Qty	Description	Comment
-----	------------	-----	-------------	---------



Models: L4RE
PANEL ASSEMBLIES
FRONT MAIN ELECTRICAL
INSTALLATION
BSN: From CSN F40142581

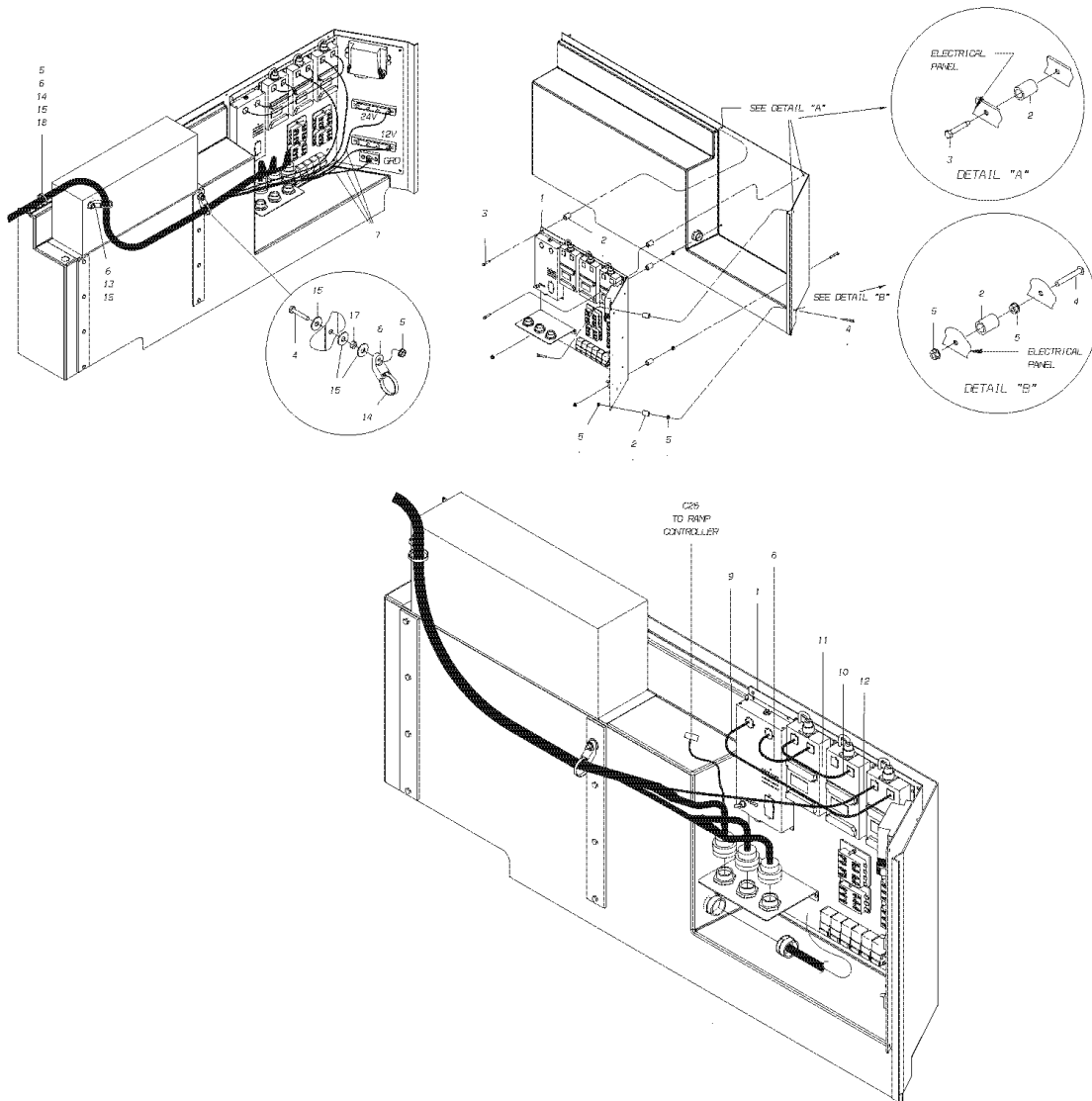
Key	PartNumber	Qty	Description	Comment
1	0064013		PANEL,ASSY,FRONT MAIN ELECTRICAL, L4RE	
2	0053062		SPACER,.625 OD X 16 GA X.93 LONG	
3	2000099		SCREW,1/4-20 X 1-1/2,D,HEX HD,YEL ZN DICH"	
4	1678366		SCREW,MACH,1/4-20X1-1/2,PH1,RD HD,	
5	0659979		NUT,HEX,FLANGE SER,1/4-20,BLACK ZINC	
6	0024168		MOUNT,HEAVY DUTY,.25 HOLE SIZE	
7	0052451		CABLE ASSY,FRONT PDU POWER, L4RE	
8	0049252		HARNESS,WRG,DATALOOP,TYPE B 16.00, L4RE	
9	0049253		HARNESS,WRG,DATALOOP,TYPE B 36.00, L4RE	
10	0049246		HARNESS,WRG,DATALOOP,TYPE A 16.00, L4RE	
11	0049247		HARNESS,WRG,DATALOOP,TYPE A 100.00, L4RE	
12	0049251		HARNESS,WRG,DATALOOP,TYPE A 720.00, L4RE	
13	1576172		SCREW,HEX,WASH,5/16X3/4,TYPE F,YEL ZN	
14	0029998		TIE,CABLE,250 LB	
15	1247709		WASHER,FLAT,17/64 ID X,5/8,YEL ZN DICH	
16	2003234		GROMMET,RUBBER,CHASSIS COWL WIRES,3/4	
17	1465947		NUT,HEX HD,1/4-20,LK,NYLON INSERT,YEL	
18	0870477		CAPSCREW,HEX HD,1/4-20 X 1,GR 8,YEL ZN	
24	3751492		TAPE,SJ 3537 LOOP 3M PRESS SENSITIVE,1 IN	
25	3751500		TAPE,SJ 3538 HOOK B 3M PRESSURE	
26	3751492		TAPE,SJ 3537 LOOP 3M PRESS SENSITIVE,1 IN	
27	3751500		TAPE,SJ 3538 HOOK B 3M PRESSURE	
28			CPU RAMP CONTROL MODULE	FEATURE 31062-01

Models: L4RE
PANEL ASSEMBLIES
FRONT MAIN ELECTRICAL
INSTALLATION
BSN: From CSN F40142581

Key	PartNumber	Qty	Description	Comment
29			BRACKET, RAMP CONTROL	<i>FEATURE 31062-01</i>
30	0065057		HARNESS,WRG,DASH, L4	
31	0029999		TIE,CABLE,120LB 15.25L	
32	0077297		BREAKER,MANUAL,RESET,50AMP,BUSSMANN	

**Models: L4RE
 PANEL ASSEMBLIES
 FRONT MAIN ELECTRICAL
 INSTALLATION**

Key	PartNumber	Qty	Description	Comment
-----	------------	-----	-------------	---------

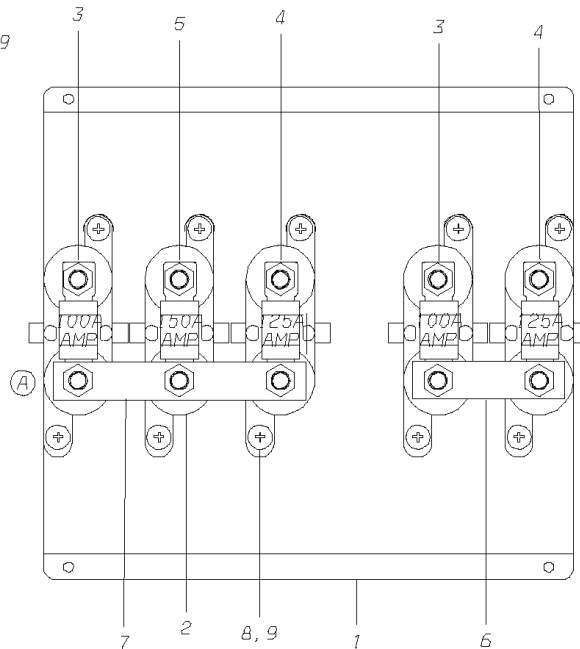
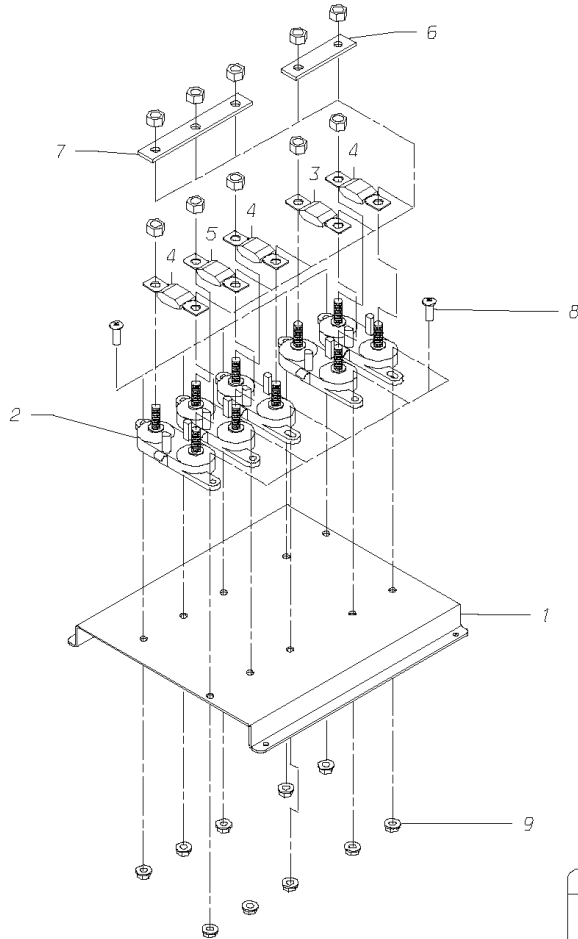


**Models: L4RE
 PANEL ASSEMBLIES
 FRONT MAIN ELECTRICAL
 INSTALLATION**

Key	PartNumber	Qty	Description	Comment
1	0049532		PANEL ASSY,FRONT MAIN ELECTRICAL, L4RE	
2	0053062	6	SPACER,.625 OD X 16 GA X.93 LONG	
3	2000099	3	SCREW,1/4-20 X 1-1/2,D,HEX HD,YEL ZN DICH"	
4	1678366	4	SCREW,MACH,1/4-20X1-1/2,PH1,RD HD,	
5	0659979	8	NUT,HEX,FLANGE SER,1/4-20,BLACK ZINC	
6	0024168	3	MOUNT,HEAVY DUTY,.25 HOLE SIZE	
7	0052451		CABLE ASSY,FRONT PDU POWER, L4RE	
8	0049252		HARNESS,WRG,DATALOOP,TYPE B 16.00, L4RE	
9	0049253		HARNESS,WRG,DATALOOP,TYPE B 36.00, L4RE	
10	0049246		HARNESS,WRG,DATALOOP,TYPE A 16.00, L4RE	
11	0049247		HARNESS,WRG,DATALOOP,TYPE A 100.00, L4RE	
12	0049251		HARNESS,WRG,DATALOOP,TYPE A 720.00, L4RE	
13	1576172		SCREW,HEX,WASH,5/16X3/4,TYPE F,YEL ZN	
14	0029998	3	TIE,CABLE,250 LB	
15	1247709	6	WASHER,FLAT,17/64 ID X,5/8,YEL ZN DICH	
16	2003234		GROMMET,RUBBER,CHASSIS COWL WIRES,3/4	
17	1465947		NUT,HEX HD,1/4-20,LK,NYLON INSERT,YEL	
18	0870477		CAPSCREW,HEX HD,1/4-20 X 1,GR 8,YEL ZN	

**Models: L4RE
PANEL ASSEMBLIES
MEGA FUSE**

Key	PartNumber	Qty	Description	Comment
-----	------------	-----	-------------	---------

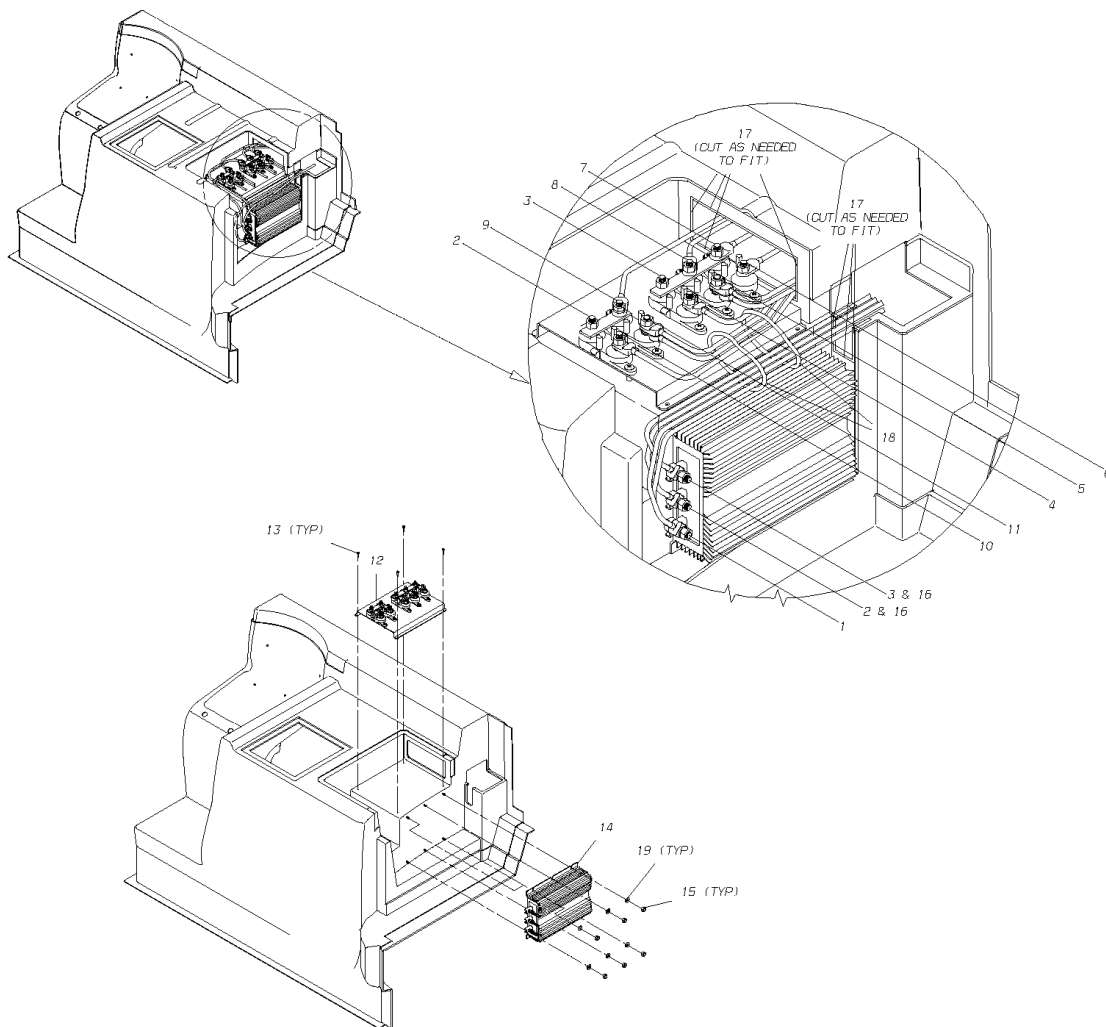


**Models: L4RE
 PANEL ASSEMBLIES
 MEGA FUSE**

Key	PartNumber	Qty	Description	Comment
	0051954		PANEL ASSY,MEGA FUSE, L4RE	
1	0051953		PANEL,MTG,MEGA FUSE, L4RE	
2	0043235	5	HOLDER,FUSE,MEGA,BUSSMANN"	
3	0041531	2	FUSE,MEGA,100 AMP	
4	0006151	2	FUSE,MEGA,125 AMP	
5	0051960		FUSE,MEGA,150 AMP,AMG SERIES	
6	0051955		BUS BAR,COPPER,.125 X .75 X 3.00 W/.343 HLS	
7	0051956		BUS BAR,COPPER,.125 X .75 X 5.00 W/.343 HLS	
8	2000826	10	SCREW,MACH,1/4X20X3/4,PH1,TRUSSHD,	
9	0659979	10	NUT,HEX,FLANGE SER,1/4-20,BLACK ZINC	

Models: **L4RE**
PANEL ASSEMBLIES
MEGA FUSE
INSTALLATION

Key	PartNumber	Qty	Description	Comment
-----	------------	-----	-------------	---------



Models: L4RE
PANEL ASSEMBLIES
MEGA FUSE
INSTALLATION

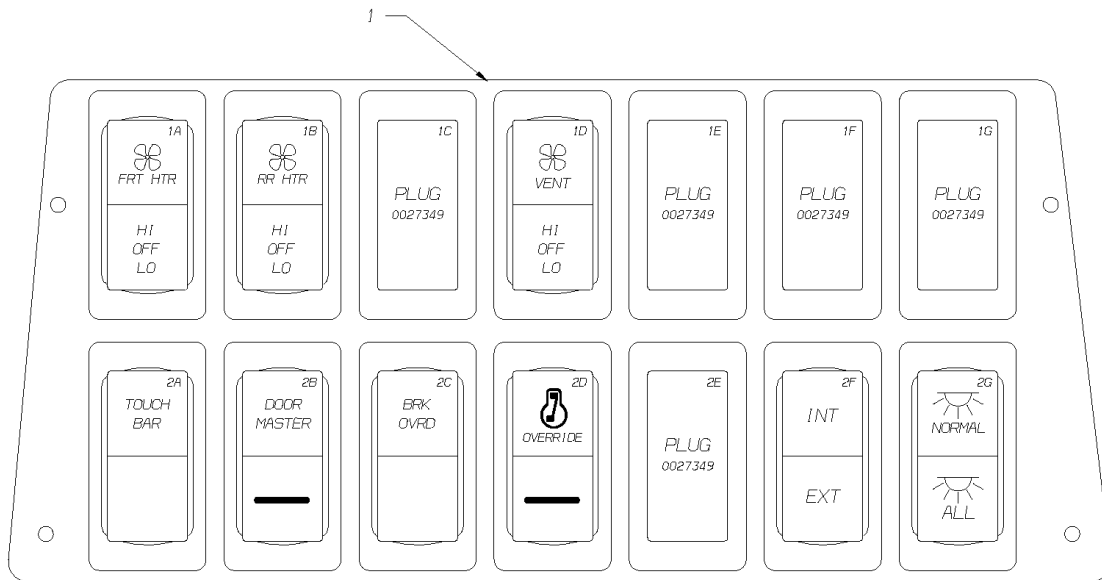
Key	PartNumber	Qty	Description	Comment
1	0052461		CABLE ASSY,NEG,2 GA,.343 X .343 X 48,LM,BK	STANDARD
1	0052483		CABLE ASSY,NEG,2 GA,.406 X .406 X 480,LM,	1 PER 30 FT. BUS
1	0052484		CABLE ASSY,NEG,2 GA,.406 X .406 X 540,LM,	1 PER 35 FT. BUS
2	0052460		CABLE ASSY,POS,2 GA,.406 X .343 X 15,RD	STANDARD
3	0052459		CABLE ASSY,POS,2 GA,.406 X .343 X 20,GN	STANDARD
4	0052479		CABLE ASSY,POS,2 GA,.343 X .406 X 408,LM,	1 PER 30 FT. BUS
4	0052480		CABLE ASSY,POS,2 GA,.343 X .406 X 468,LM,	1 PER 35 FT. BUS
5	0052451		CABLE ASSY,FRONT PDU POWER, L4RE	STANDARD
5	0052488		CABLE ASSY,D ZONE POWER,35 FT BUS, L4RE	1 PER 35 FT. BUS
5	0052489		CABLE ASSY,D ZONE POWER,30 FT BUS, L4RE	1 PER 30 FT. BUS
6	0052485		CABLE ASSY,POS,2 GA,.406 X .343 X 222,GN	STANDARD
7	0052453		CABLE ASSY,POS,3/0,.531 X .343 X 117,LM,GN	STANDARD
8	0052457		CABLE ASSY,POS,3/0,.406 X .343 X 360,LM,GN	1 PER 30 FT. BUS
8	0052458		CABLE ASSY,POS,3/0,.406 X 343 X 420,LM,GN	1 PER 35 FT. BUS
9	0052454		CABLE ASSY,POS,3/0,.531 X .343 X 121,LM,RD	STANDARD
10	0052481		CABLE ASSY,POS,2 GA,.343 X .406 X 408,LM,	1 PER 30 FT. BUS
10	0052482		CABLE ASSY,POS,2 GA,.343 X .406 X 468,LM,	1 PER 35 FT. BUS
11	0052451		CABLE ASSY,FRONT PDU POWER, L4RE	STANDARD
11	0052488		CABLE ASSY,D ZONE POWER,35 FT BUS, L4RE	1 PER 35 FT. BUS
11	0052489		CABLE ASSY,D ZONE POWER,30 FT BUS, L4RE	1 PER 30 FT. BUS
12	0051954		PANEL ASSY,MEGA FUSE, L4RE	
13	0527275	4	SCREW,10-16 X 3/8,AB,PH1,PAN,YEL ZINC	
14	0051010		BATTERY EQUALIZER,24/12VOLTS	

Models: L4RE
PANEL ASSEMBLIES
MEGA FUSE
INSTALLATION

Key	PartNumber	Qty	Description	Comment
15	2001345	6	NUT,HEX HD,1/4-20,LOCKING,YELLOW	
16	0054272	2	KIT,1592 FUSE ACCESSORY	
17	2004547	2	TRIM,INSTRUMENT HOOD,VINYL EDGE,BLACK	
18	0599704	2	TIE,CABLE,NYLON	
19	1247709	6	WASHER,FLAT,17/64 ID X,5/8,YEL ZN DICH	

Models: L4RE
PANEL ASSEMBLIES
OVERHEAD SWITCH

Key	PartNumber	Qty	Description	Comment
-----	------------	-----	-------------	---------



**Models: L4RE
PANEL ASSEMBLIES
OVERHEAD SWITCH**

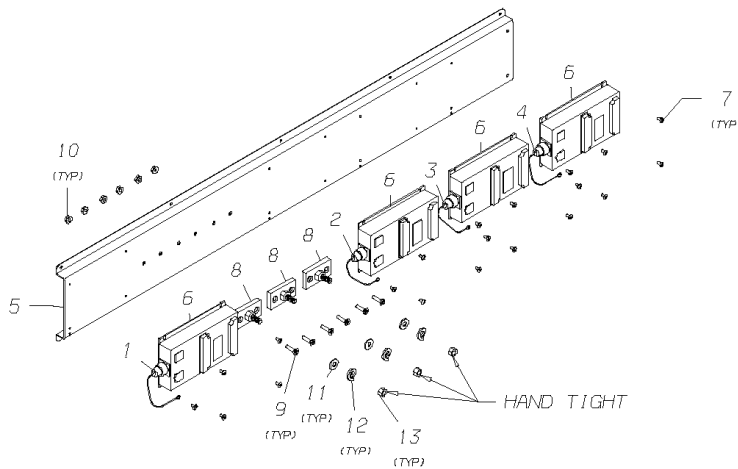
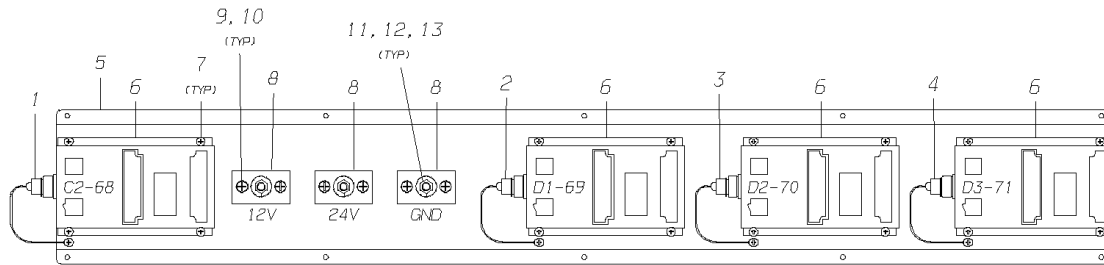
Key	PartNumber	Qty	Description	Comment
	0053524		ASSEMBLY,SWITCH PANEL, L4RE	CONSISTS OF THE FOLLOWING
1	0053233		PLATE,SWITCH PANEL, L4RE	
1A	0051021		SWITCH,BASE,NGR,DPDT,ON-OFF-ON	FEATURE 30060-37
	0027316		ROCKER,BUTTON,NGR,HEATER,FRONT	FEATURE 30060-37
1B	0051021		SWITCH,BASE,NGR,DPDT,ON-OFF-ON	FEATURE 30060-37
	0027317		ROCKER,BUTTON,NGR,HEATER,REAR	FEATURE 30060-37
1C	0027349		BLANK,PLUG,SWITCH PANEL,NGR	
1D	0051021		SWITCH,BASE,NGR,DPDT,ON-OFF-ON	FEATURE 06178-01
	0027324		ROCKER,BUTTON,NGR,VENT,ROOF,2 SPEED	FEATURE 06178-01
1E	0027349		BLANK,PLUG,SWITCH PANEL,NGR	
1F	0027349		BLANK,PLUG,SWITCH PANEL,NGR	
1G	0027349		BLANK,PLUG,SWITCH PANEL,NGR	
2A	0027297		SWITCH,BASE,NGR,SPST,IND,OFF-MOM ON	
	0051033		ROCKER,NGR,TOUCH BAR,BYPASS	
2B	0027294		SWITCH,BASE,NGR,SPST,ON-ON,EXT IND	
	0051048		ROCKER,NGR,DOOR MASTER	
2C	0051023		SWITCH,BASE,NGR,SPST,NONE-ON-MOM OFF	
	0027327		ROCKER,BUTTON,NGR,BRAKE OVERRIDE	
2D	0051023		SWITCH,BASE,NGR,SPST,NONE-ON-MOM OFF	
	0051034		ROCKER,NGR,OVERRIDE,STOP ENG	
2E	0027349		BLANK,PLUG,SWITCH PANEL,NGR	
2F	0051024		SWITCH,BASE,NGR,SPKR,ON-ON-ON	FEATURE 30269-10
	0051031		ROCKER,NGR,SPKR,INT-EXT	FEATURE 30269-10

**Models: L4RE
 PANEL ASSEMBLIES
 OVERHEAD SWITCH**

Key	PartNumber	Qty	Description	Comment
2F	0027294		SWITCH,BASE,NGR,SPST,ON-ON,EXT IND	<i>FEATURE 31140-03</i>
	0051031		ROCKER,NGR,SPKR,INT-EXT	<i>FEATURE 31140-03</i>
2G	0051021		SWITCH,BASE,NGR,DPDT,ON-OFF-ON	
	0051036		ROCKER,NGR,DOME,NORMAL,ALL	

**Models: L4RE
 PANEL ASSEMBLIES
 REAR ZONE, C2, D1, D2, D3**

Key	PartNumber	Qty	Description	Comment
-----	------------	-----	-------------	---------

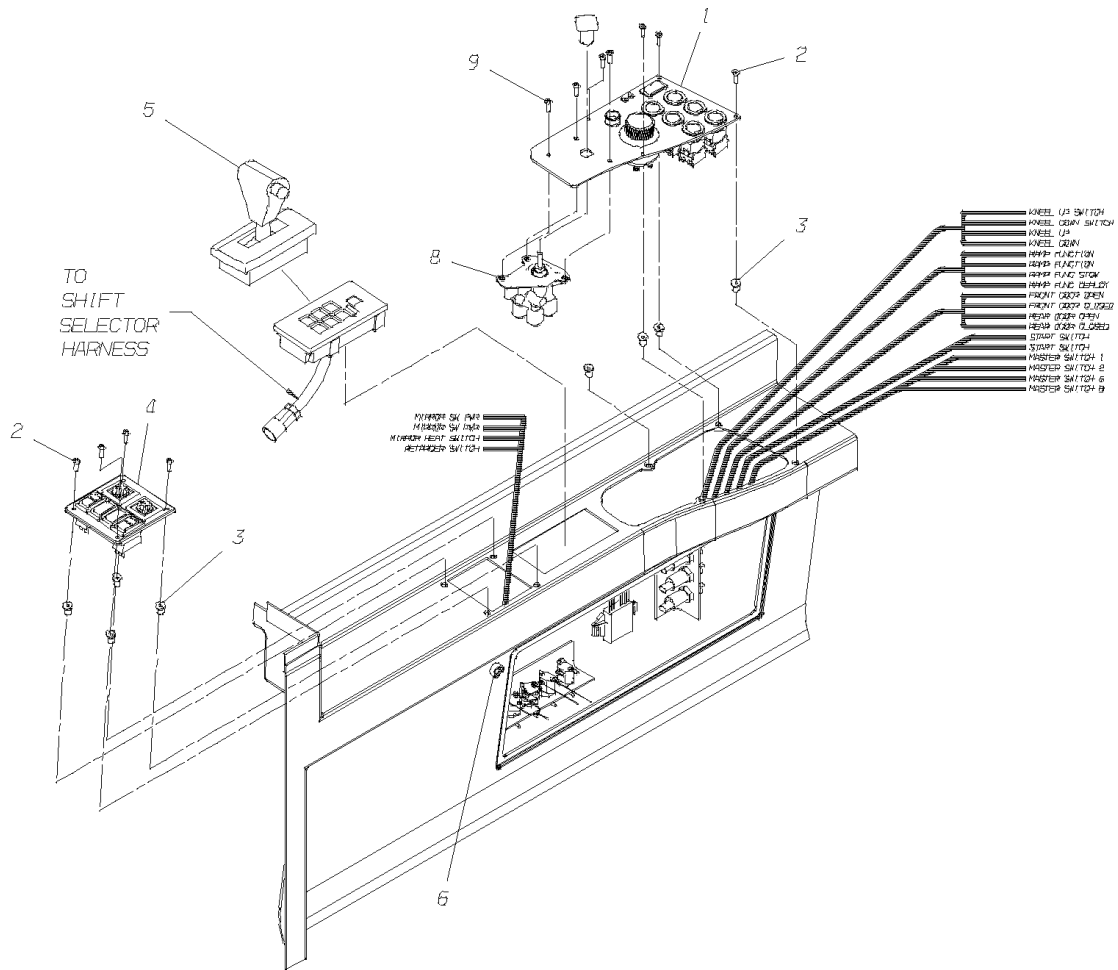


**Models: L4RE
 PANEL ASSEMBLIES
 REAR ZONE, C2, D1, D2, D3**

Key	PartNumber	Qty	Description	Comment
	0049325		PANEL ASSY,D1,D2,D3-ZONE, L4RE	
1	4758600		ID KEY - C2	
2	4758601		ID KEY - D1	
3	4758602		ID KEY - D2	
4	4758603		ID KEY - D3	
5	0049321		PANEL,MTG,D-ZONE ASSY, L4RE	
6	4758595	4	T2-DIO-888,HIGH SPEED CELL NET	
7	1925833	20	SCREW,8-18 X 1/2,AB,PH1,PAN HD,BLK ZN	
8	0553131	3	STUD,TERMINAL,BAT CABLE JUNCTION,NO	
9	1621333	6	SCREW,MACH,1/4-20X1,PH1,FLT CSNK,	
10	0659979	6	NUT,HEX,FLANGE SER,1/4-20,BLACK ZINC	
11	1078922	3	WASHER,FLAT,3/8 X 7/8 X 5/64,YEL ZN DICH	
12	0882795	3	LOCKWASHER,SPLIT RING,3/8,MED,YELLOW	
13	2001451	3	NUT,HEX HD,3/8-16,YELLOW DICHROMATE	

**Models: L4RE
 PANEL ASSEMBLIES
 SWITCH, CONSOLE, INSTALLATION
 To CSN 40142580**

Key	PartNumber	Qty	Description	Comment
-----	------------	-----	-------------	---------

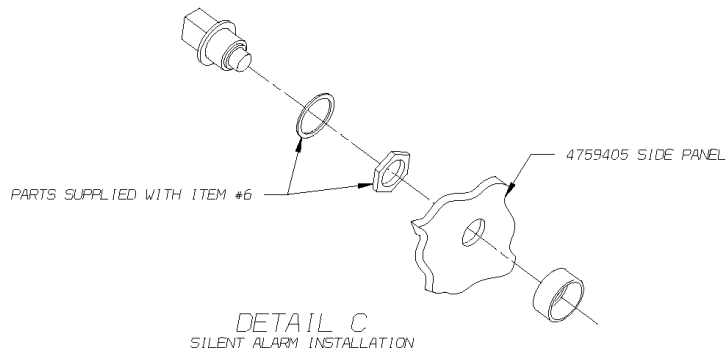
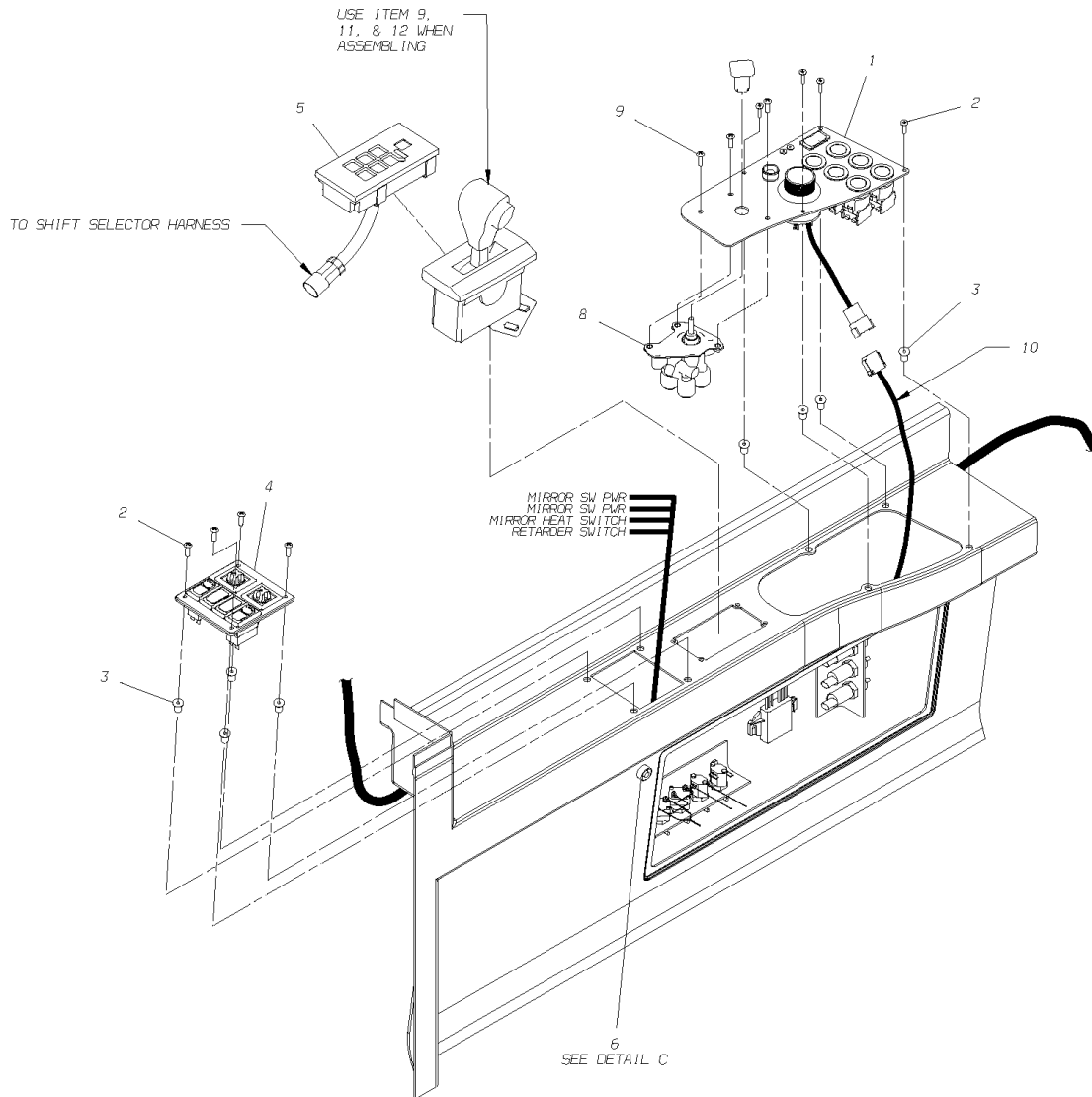


**Models: L4RE
 PANEL ASSEMBLIES
 SWITCH, CONSOLE, INSTALLATION
 To CSN 40142580**

Key	PartNumber	Qty	Description	Comment
1	0053683		ASSY,SWITCH CONSOLE,W/O ROTARY IGN,	FEATURE 31062-01
	0053710		ASSY,SWITCH CONSOLE,W/ROTARY IGN, L4RE	FEATURE 31062-01 WITH FEATURE 30241-01
	0061019		PANEL ASSY,ELECTRIC,CONSOLE,W/ROTARY	FEATURE 30241-01 WITHOUT 31062-01
	0061020		PANEL ASSY,ELECTRIC,CONSOLE,W/O ROTARY	WITHOUT FEATURE 31062-01, 30241-01
2	1315100	8	SCREW,MACH,10-32X1,PHI,PAN HD,BLK	
3	1315118	8	WELLNUT Q-1032,.377 X 5/8	
4	0058095		PANEL ASSY,SWITCH,DRIVERS SIDE, L4RE	
5	4753786		SELECTOR T-BAR TRANSMISSION RND321	STANDARD
	0031122		SELECTOR,SHIFT,PUSHBUTTON,3000 SRS,	FEATURE 40423-01, -02
6	0057403		ASSY,SILENT ALARM SWITCH, L4RE	FEATURE 31140-01, -02, -03, -04
7	0029999		TIE,CABLE,120LB 15.25L	
8			PARKING BRAKE VALVE	SEE GROUP 30 - AIR BRAKES
9	0813477		SCREW,MACH,1/4-20X1/2,PH1,RD,YELZN,	

Models: L4RE
PANEL ASSEMBLIES
SWITCH, CONSOLE, INSTALLATION
BSN: From CSN F40142581

Key	PartNumber	Qty	Description	Comment
-----	------------	-----	-------------	---------



Models: L4RE
PANEL ASSEMBLIES
SWITCH, CONSOLE, INSTALLATION
BSN: From CSN F40142581

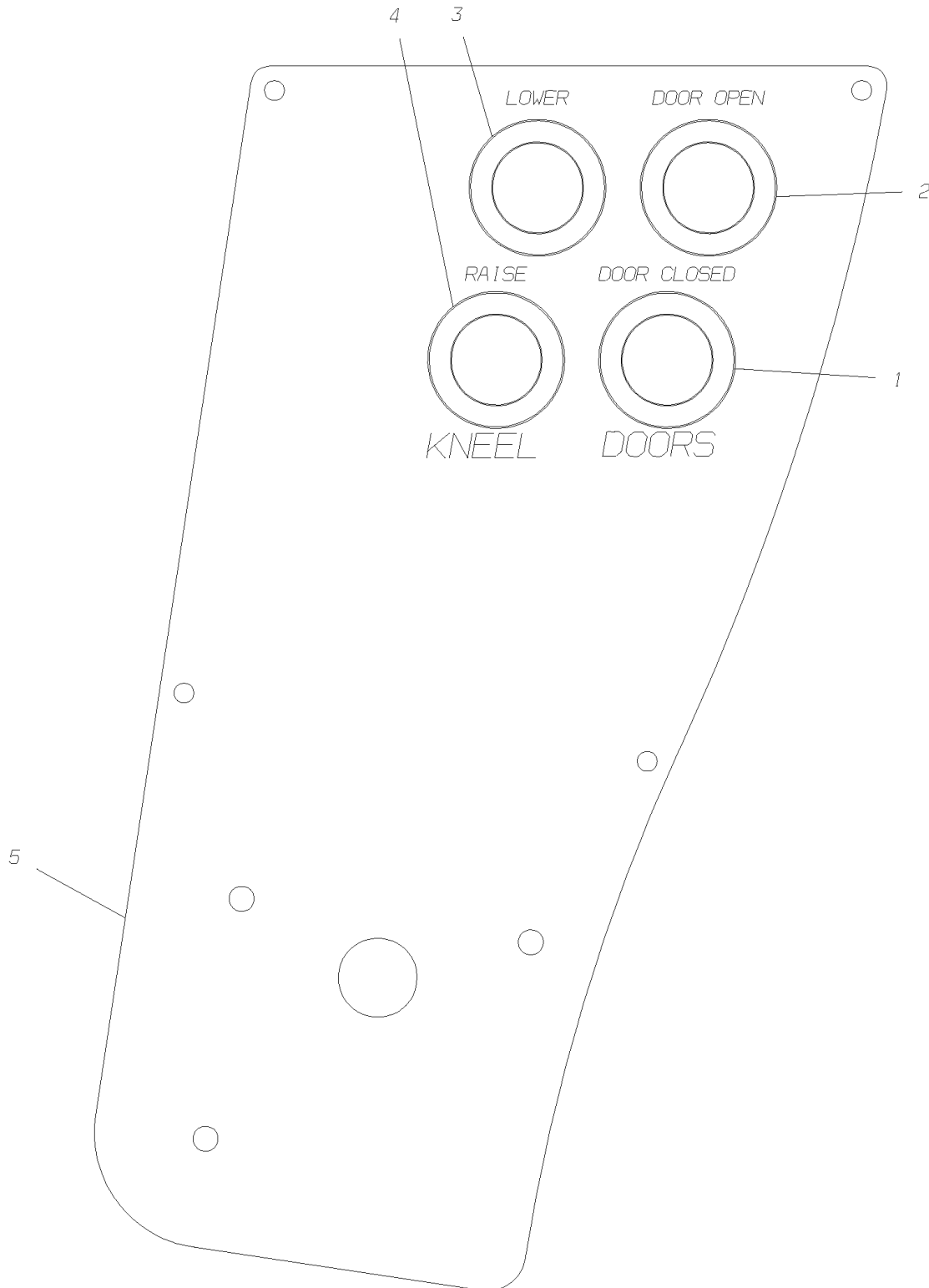
Key	PartNumber	Qty	Description	Comment
1	0053683		ASSY,SWITCH CONSOLE,W/O ROTARY IGN,	
1	0053710		ASSY,SWITCH CONSOLE,W/ROTARY IGN, L4RE	
1	0061019		PANEL ASSY,ELECTRIC,CONSOLE,W/ROTARY	
1	0061020		PANEL ASSY,ELECTRIC,CONSOLE,W/O ROTARY	
1	0065207		CONSOLE,ASSY,REAR,W/ROT IGN AND 4 BUT,	
1	0065208		CONSOLE,ASSY,REAR,W/O ROT IGN AND RAMP	
1	0065103		CONSOLE,ASSY,SWITCHES,W/O ROTARY IGN,	
1	0065104		CONSOLE,ASSY,SWITCHES,W/ROT IGN AND	
1	0065105		CONSOLE,ASSY,SWITCHES,W/O ROT IGN AND	
1	0065106		CONSOLE,ASSY,SWITCHES,W/ROTARY IGN,	
1	0065119		CONSOLE,ASSY,FRONT,W/ROT IGN AND 4 BUT	
1	0065121		CONSOLE,ASSY,FRONT,W/ROT IGN AND RAMP,	
1	0065123		CONSOLE,ASSY,FRONT,W/O ROT IGN AND	
1	0065125		CONSOLE,ASSY,FRONT,W/O ROTARY IGN, L4RE	
2	1315100		SCREW,MACH,10-32X1,PHI,PAN HD,BLK	
3	1315118		WELLNUT Q-1032,.377 X 5/8	
4	0058095		PANEL ASSY,SWITCH,DRIVERS SIDE, L4RE	
5	4753786		SELECTOR T-BAR TRANSMISSION RND321	STANDARD
5	0031122		SELECTOR,SHIFT,PUSHBUTTON,3000 SRS,	FEATURE 40423-03, -04
6	0057403		ASSY,SILENT ALARM SWITCH, L4RE	FEATURE 31140-01, -02, -03, -04
7	0029999		TIE,CABLE,120LB 15.25L	
8	4758519		DASH CONTROL VALVE	
9	0530436		SCREW,MACH,1/4-20X3/4,PH1,RD HD,YEL ZN	

Models: L4RE
PANEL ASSEMBLIES
SWITCH, CONSOLE, INSTALLATION
BSN: From CSN F40142581

Key	PartNumber	Qty	Description	Comment
10	0065057		HARNES,WRG,DASH, L4	
11	1465947		NUT,HEX HD,1/4-20,LK,NYLON INSERT,YEL	
12	0069456		PLATE,SUPPORT,TRANS SHIFTER	

Models: L4RE
PANEL ASSEMBLIES
SWITCH, CONSOLE, REAR, WITH OUT ROTARY IGNITION AND RAMP
With: WITH OUT FEATURE 30241-01 WITH OUT FEATURE 30977-08, -10 WITH OUT FEATURE 31062-01

Key	PartNumber	Qty	Description	Comment
-----	------------	-----	-------------	---------



**Models: L4RE
 PANEL ASSEMBLIES
 SWITCH, CONSOLE, REAR, WITH OUT ROTARY IGNITION AND RAMP**
**With: WITH OUT FEATURE 30241-01 WITH OUT FEATURE 30977-08, -10 WITH OUT FEATURE
 31062-01**

Key	PartNumber	Qty	Description	Comment
	0065208		CONSOLE,ASSY,REAR,W/O ROT IGN AND RAMP	
1	0053668		ASSY,SW,PUSH BUTTON,RED,W/CONTACT BASE	
2	0053669		ASSY,SW,PUSH BUTTON,GREEN,W/CONTACT	
3	0053670		ASSY,SW,PUSH BUTTON,AMBER,W/CONTACT	
4	0053671		ASSY,SW,PUSH BUTTON,ORANGE,W/CONTACT	
5	0065122		PANEL,ELEC,CONSOLE,W/O ROT IGN AND RAMP	

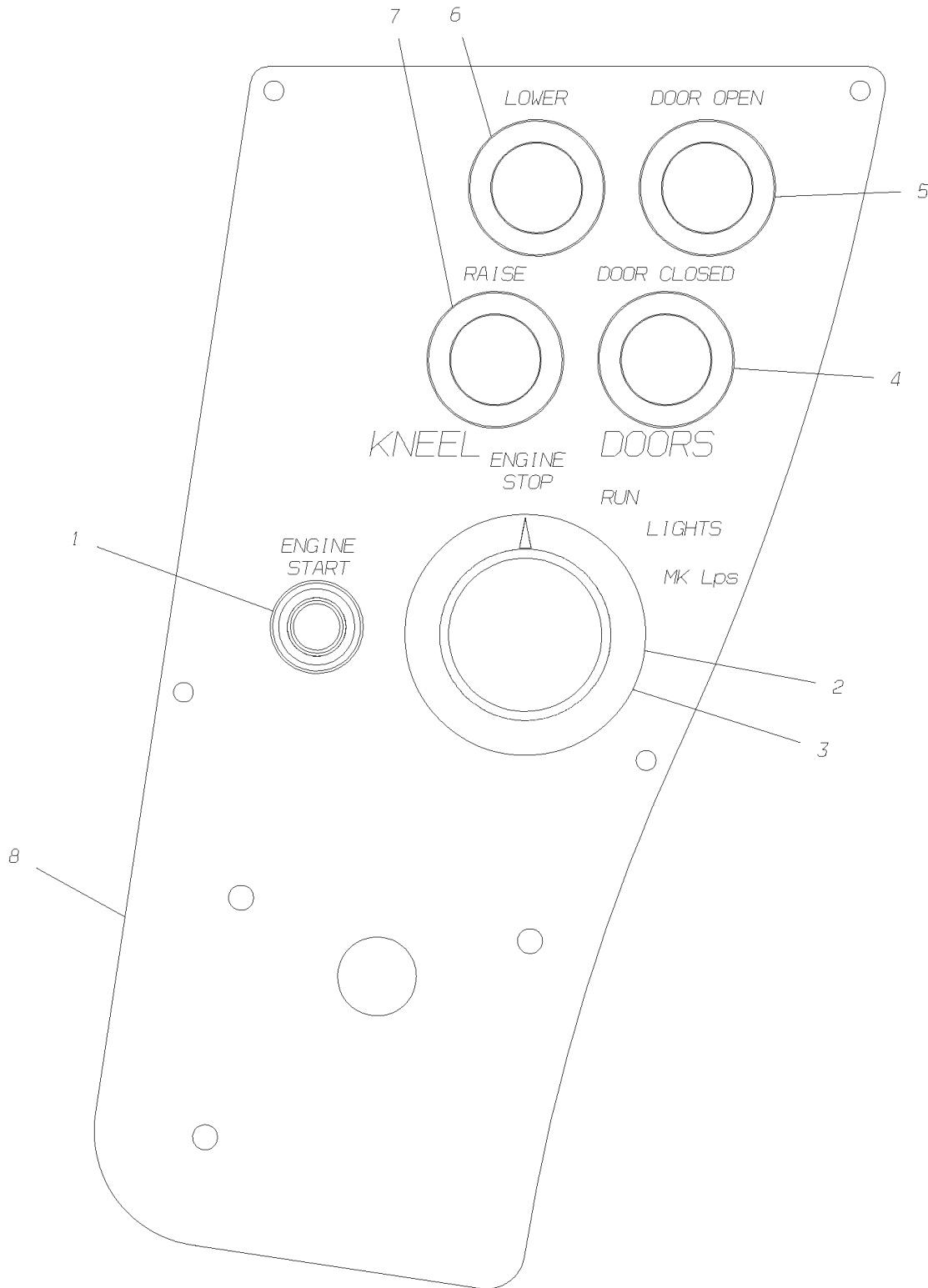
Models: L4RE

PANEL ASSEMBLIES

SWITCH, CONSOLE, REAR, WITH ROTARY IGNITION AND 4 BUTTONS

With: FEATURE 30241-01 WITH OUT FEATURE 30977-08, -10 WITH OUT FEATURE 31062-01

Key	PartNumber	Qty	Description	Comment
-----	------------	-----	-------------	---------

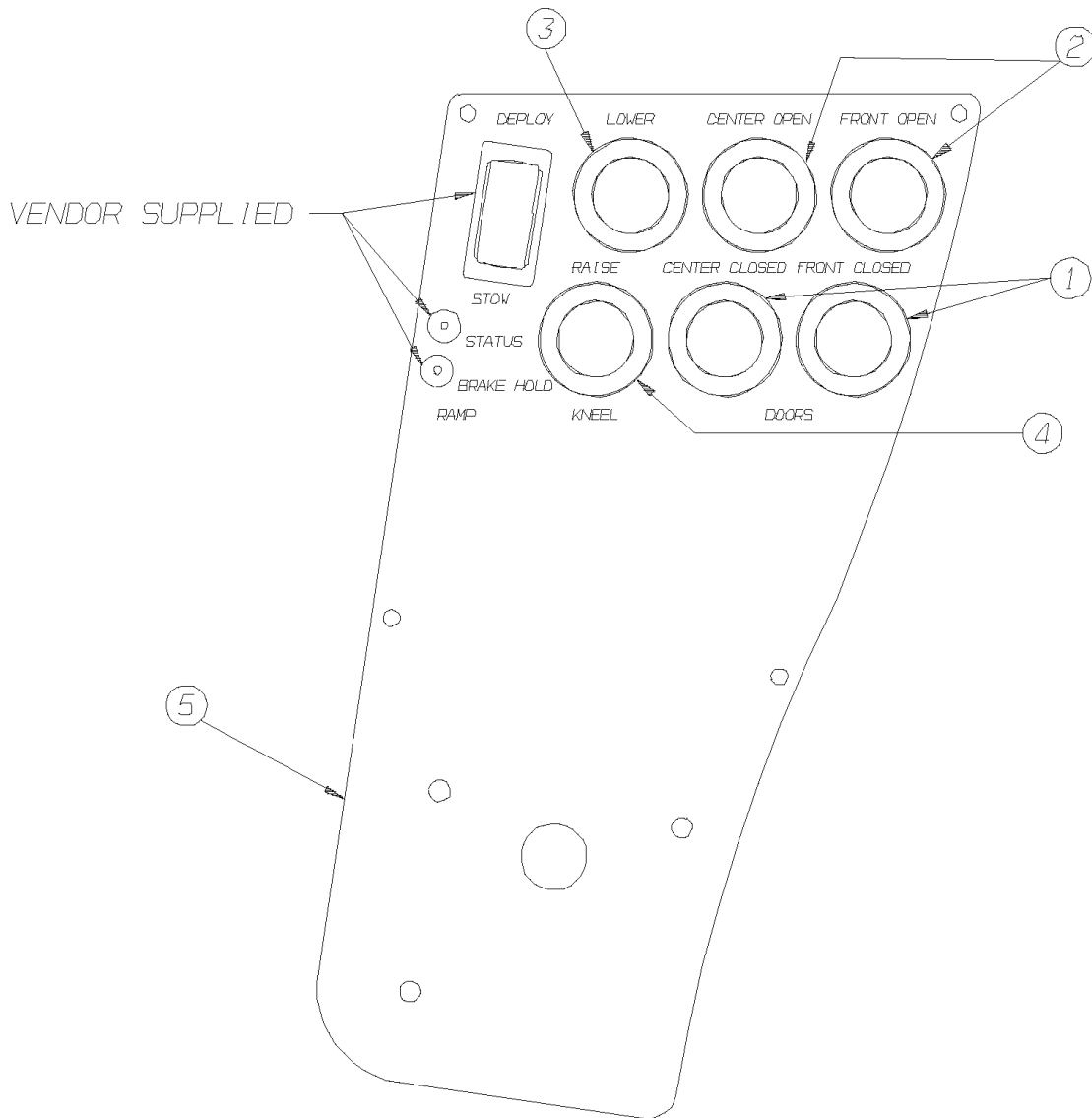


Models: L4RE
PANEL ASSEMBLIES
SWITCH, CONSOLE, REAR, WITH ROTARY IGNITION AND 4 BUTTONS
With: FEATURE 30241-01 WITH OUT FEATURE 30977-08, -10 WITH OUT FEATURE 31062-01

Key	PartNumber	Qty	Description	Comment
	0065207		CONSOLE,ASSY,REAR,W/ROT IGN AND 4 BUT,	
1	0039438		SWITCH,PUSH BUTTON,START	
2	0039953		SWITCH,MASTER ROTARY,4 POS,6 TERM	
3	1103373		KNOB,MASTER ROTARY SWITCH	
4	0053668		ASSY,SW,PUSH BUTTON,RED,W/CONTACT BASE	
5	0053669		ASSY,SW,PUSH BUTTON,GREEN,W/CONTACT	
6	0053670		ASSY,SW,PUSH BUTTON,AMBER,W/CONTACT	
7	0053671		ASSY,SW,PUSH BUTTON,ORANGE,W/CONTACT	
8	0065118		PANEL,ELEC,CONSOLE,W/ROT IGN AND 4 BUT	

Models: L4RE
PANEL ASSEMBLIES
SWITCH, CONSOLE, WITH OUT ROTARY IGNITION
With: FEATURE 30977-08, -10 WITH FEATURE 31062-01
To CSN F40142580

Key	PartNumber	Qty	Description	Comment
-----	------------	-----	-------------	---------

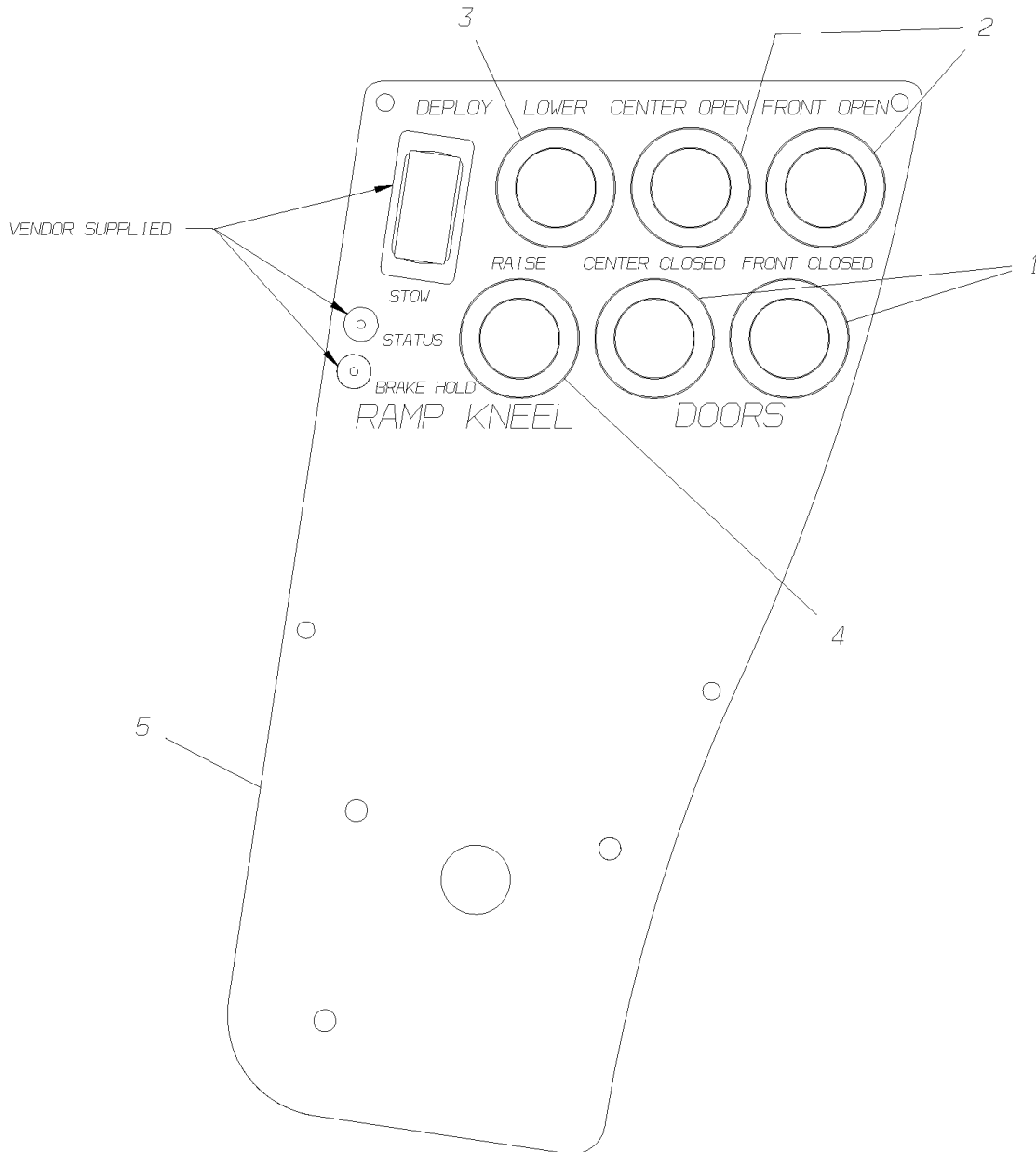


**Models: L4RE
 PANEL ASSEMBLIES
 SWITCH, CONSOLE, WITH OUT ROTARY IGNITION**
**With: FEATURE 30977-08, -10 WITH FEATURE 31062-01
 To CSN F40142580**

Key	PartNumber	Qty	Description	Comment
	0053683		ASSY,SWITCH CONSOLE,W/O ROTARY IGN,	
1	0053668	2	ASSY,SW,PUSH BUTTON,RED,W/CONTACT BASE	
2	0053669	2	ASSY,SW,PUSH BUTTON,GREEN,W/CONTACT	
3	0053670		ASSY,SW,PUSH BUTTON,AMBER,W/CONTACT	
4	0053671		ASSY,SW,PUSH BUTTON,ORANGE,W/CONTACT	
5	0053164		PANEL,SWITCH CONSOLE, L4RE	

Models: L4RE
PANEL ASSEMBLIES
SWITCH, CONSOLE, WITH OUT ROTARY IGNITION
With: FEATURE 30977-08, -10 WITH FEATURE 31062-01
BSN: From CSN F40142581

Key	PartNumber	Qty	Description	Comment
-----	------------	-----	-------------	---------

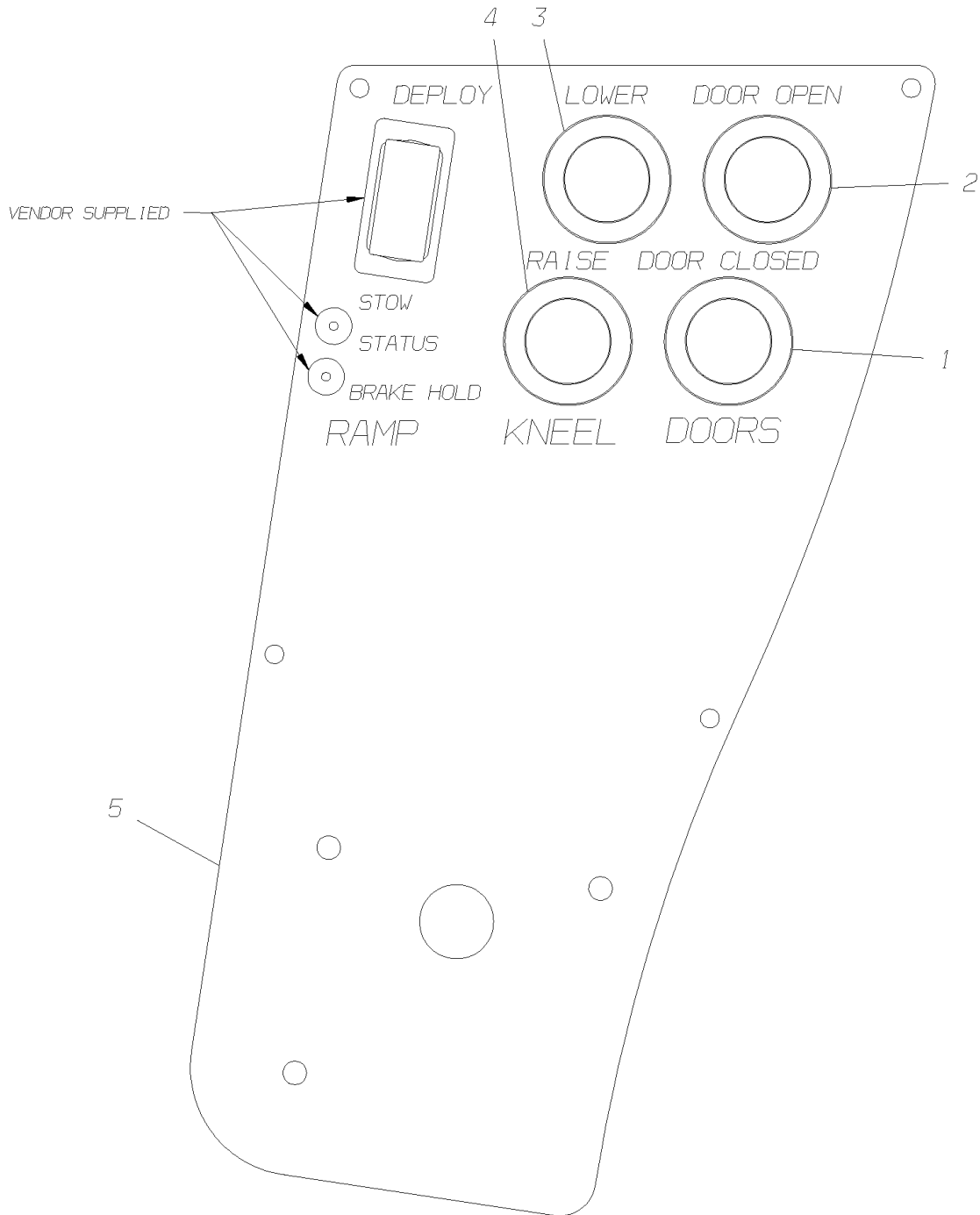


Models: L4RE
PANEL ASSEMBLIES
SWITCH, CONSOLE, WITH OUT ROTARY IGNITION
With: FEATURE 30977-08, -10 WITH FEATURE 31062-01
BSN: From CSN F40142581

Key	PartNumber	Qty	Description	Comment
	0065103		CONSOLE,ASSY,SWITCHES,W/O ROTARY IGN,	
1	0053668		ASSY,SW,PUSH BUTTON,RED,W/CONTACT BASE	
2	0053669		ASSY,SW,PUSH BUTTON,GREEN,W/CONTACT	
3	0053670		ASSY,SW,PUSH BUTTON,AMBER,W/CONTACT	
4	0053671		ASSY,SW,PUSH BUTTON,ORANGE,W/CONTACT	
5	0053164		PANEL,SWITCH CONSOLE, L4RE	

Models: L4RE
PANEL ASSEMBLIES
SWITCH, CONSOLE, WITH OUT ROTARY IGNITION
With: FEATURE 31062-01 WITH OUT FEATURE 31061-04, -05, -07

Key	PartNumber	Qty	Description	Comment
-----	------------	-----	-------------	---------

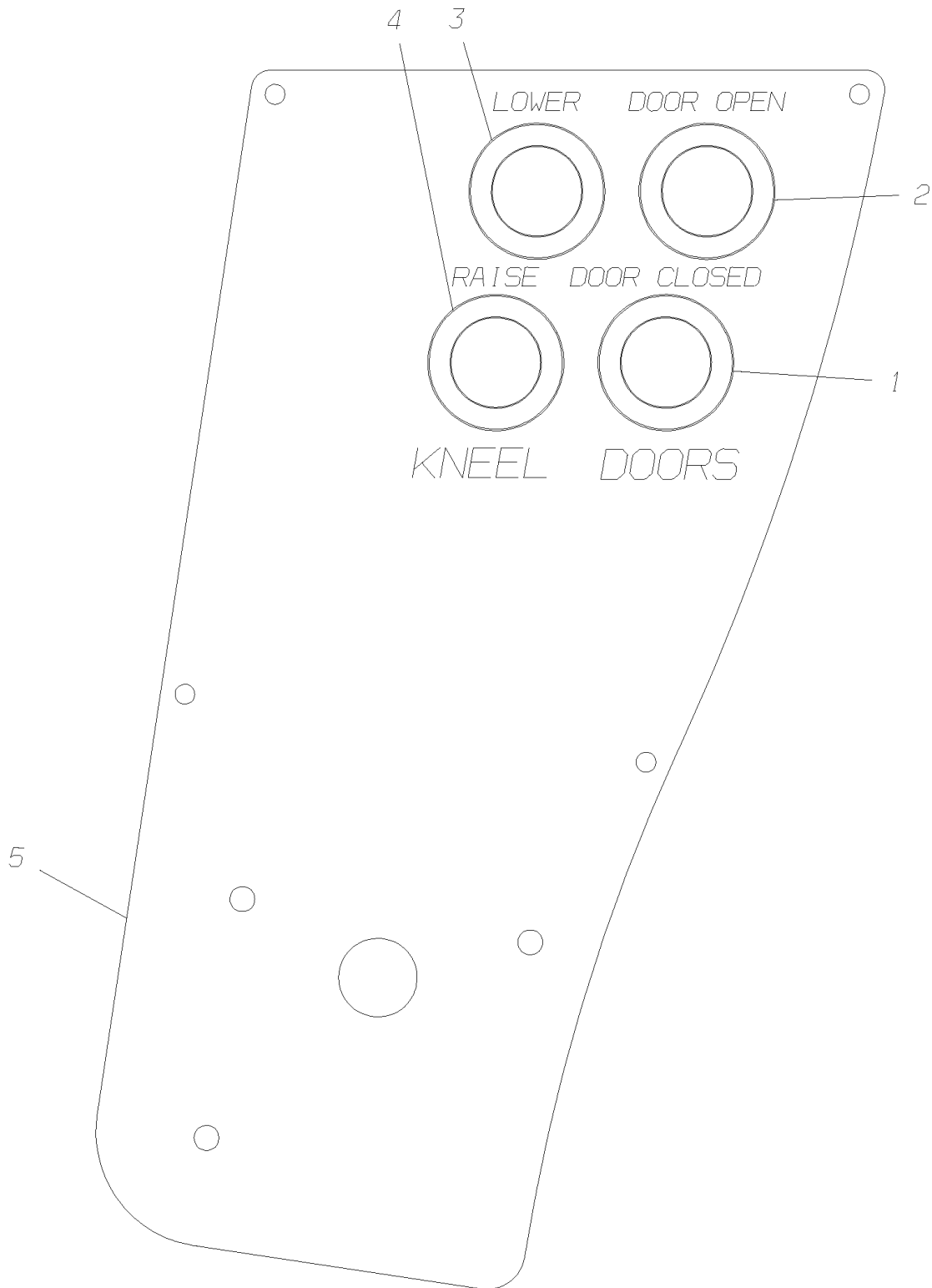


Models: L4RE
PANEL ASSEMBLIES
SWITCH, CONSOLE, WITH OUT ROTARY IGNITION
With: FEATURE 31062-01 WITH OUT FEATURE 31061-04, -05, -07

Key	PartNumber	Qty	Description	Comment
	0065125		CONSOLE,ASSY,FRONT,W/O ROTARY IGN, L4RE	
1	0053668		ASSY,SW,PUSH BUTTON,RED,W/CONTACT BASE	
2	0053669		ASSY,SW,PUSH BUTTON,GREEN,W/CONTACT	
3	0053670		ASSY,SW,PUSH BUTTON,AMBER,W/CONTACT	
4	0053671		ASSY,SW,PUSH BUTTON,ORANGE,W/CONTACT	
5	0065124		PANEL,ELEC,CONSOLE,W/O ROTARY IGN, L4RE	

Models: L4RE
PANEL ASSEMBLIES
SWITCH, CONSOLE, WITH OUT ROTARY IGNITION AND RAMP
With: WITH OUT FEATURE 30241-01 WITH OUT FEATURE 31061-04,-05,-07 WITH OUT
FEATURE 31062-01

Key	PartNumber	Qty	Description	Comment
-----	------------	-----	-------------	---------

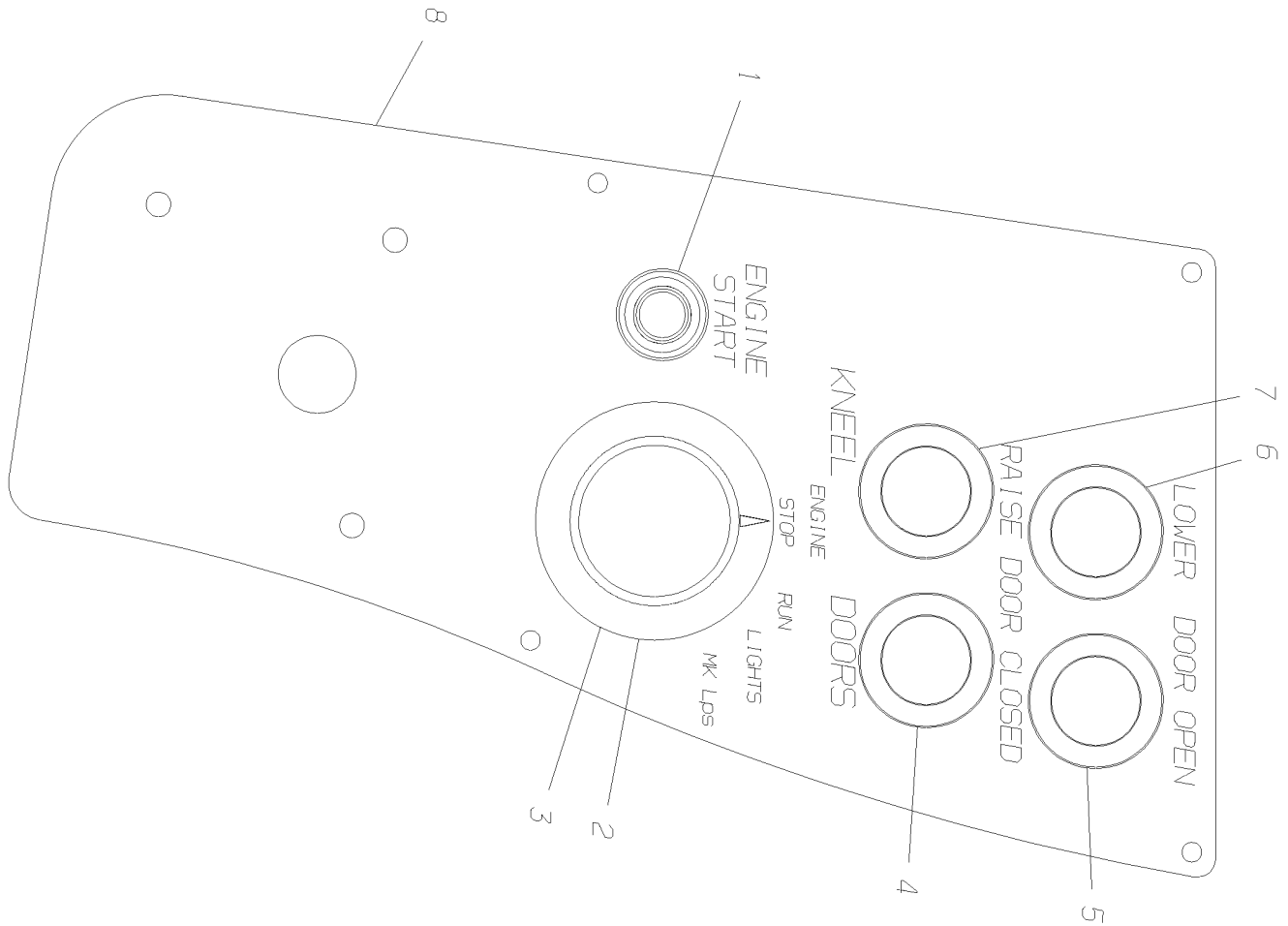


**Models: L4RE
 PANEL ASSEMBLIES
 SWITCH, CONSOLE, WITH OUT ROTARY IGNITION AND RAMP
 With: WITH OUT FEATURE 30241-01 WITH OUT FEATURE 31061-04,-05,-07 WITH OUT
 FEATURE 31062-01**

Key	PartNumber	Qty	Description	Comment
	0065123		CONSOLE,ASSY,FRONT,W/O ROT IGN AND	
1	0053668		ASSY,SW,PUSH BUTTON,RED,W/CONTACT BASE	
2	0053669		ASSY,SW,PUSH BUTTON,GREEN,W/CONTACT	
3	0053670		ASSY,SW,PUSH BUTTON,AMBER,W/CONTACT	
4	0053671		ASSY,SW,PUSH BUTTON,ORANGE,W/CONTACT	
5	0065122		PANEL,ELEC,CONSOLE,W/O ROT IGN AND RAMP	

Models: L4RE
PANEL ASSEMBLIES
SWITCH, CONSOLE, WITH ROTARY IGNITION
With: FEATURE 30241-01 WITH OUT 31062-01, 31061

Key	PartNumber	Qty	Description	Comment
-----	------------	-----	-------------	---------

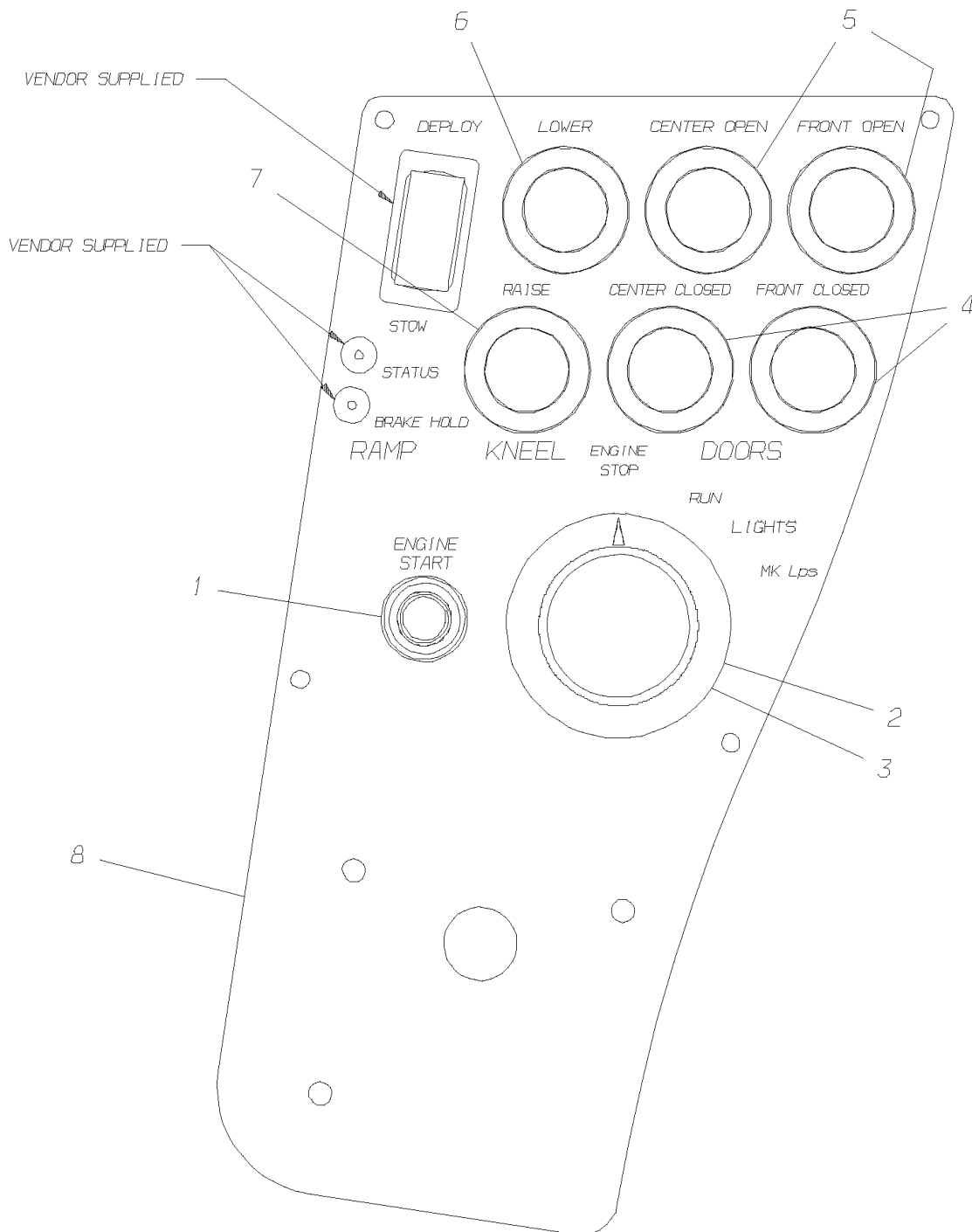


Models: L4RE
PANEL ASSEMBLIES
SWITCH, CONSOLE, WITH ROTARY IGNITION
With: FEATURE 30241-01 WITH OUT 31062-01, 31061

Key	PartNumber	Qty	Description	Comment
	0065119		CONSOLE,ASSY,FRONT,W/ROT IGN AND 4 BUT	
1	0039438		SWITCH,PUSH BUTTON,START	
2	0039953		SWITCH,MASTER ROTARY,4 POS,6 TERM	
3	1103373		KNOB,MASTER ROTARY SWITCH	
4	0053668		ASSY,SW,PUSH BUTTON,RED,W/CONTACT BASE	
5	0053669		ASSY,SW,PUSH BUTTON,GREEN,W/CONTACT	
6	0053670		ASSY,SW,PUSH BUTTON,AMBER,W/CONTACT	
7	0053671		ASSY,SW,PUSH BUTTON,ORANGE,W/CONTACT	
8	0065118		PANEL,ELEC,CONSOLE,W/ROT IGN AND 4 BUT	

Models: L4RE
PANEL ASSEMBLIES
SWITCH, CONSOLE, WITH ROTARY IGNITION AND RAMP
With: FEATURE 30241-01 WITH OUT FEATURE 31062-01
 To CSN F40142580

Key	PartNumber	Qty	Description	Comment
-----	------------	-----	-------------	---------

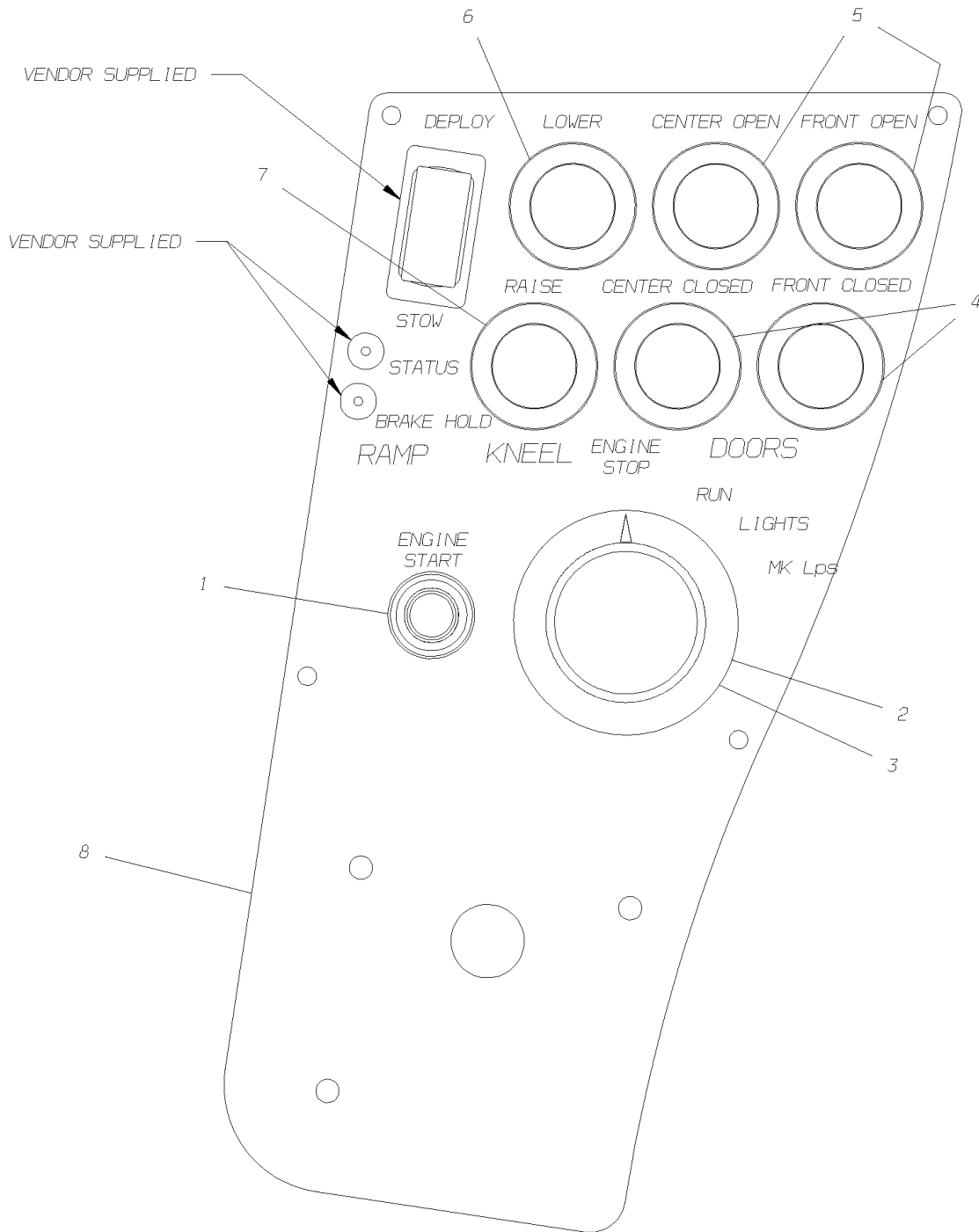


**Models: L4RE
 PANEL ASSEMBLIES
 SWITCH, CONSOLE, WITH ROTARY IGNITION AND RAMP
 With: FEATURE 30241-01 WITH OUT FEATURE 31062-01
 To CSN F40142580**

Key	PartNumber	Qty	Description	Comment
	0053710		ASSY,SWITCH CONSOLE,W/ROTARY IGN, L4RE	
1	0039438		SWITCH,PUSH BUTTON,START	
2	0039953		SWITCH,MASTER ROTARY,4 POS,6 TERM	
3	1103373		KNOB,MASTER ROTARY SWITCH	
4	0053668	2	ASSY,SW,PUSH BUTTON,RED,W/CONTACT BASE	
5	0053669	2	ASSY,SW,PUSH BUTTON,GREEN,W/CONTACT	
6	0053670		ASSY,SW,PUSH BUTTON,AMBER,W/CONTACT	
7	0053671		ASSY,SW,PUSH BUTTON,ORANGE,W/CONTACT	
8	0053684		PANEL,SWITCH CONSOLE, L4RE	

Models: L4RE
PANEL ASSEMBLIES
SWITCH, CONSOLE, WITH ROTARY IGNITION AND RAMP
With: FEATURE 30241-01 WITH OUT FEATURE 31062-01
BSN: From CSN F40142581

Key	PartNumber	Qty	Description	Comment
-----	------------	-----	-------------	---------

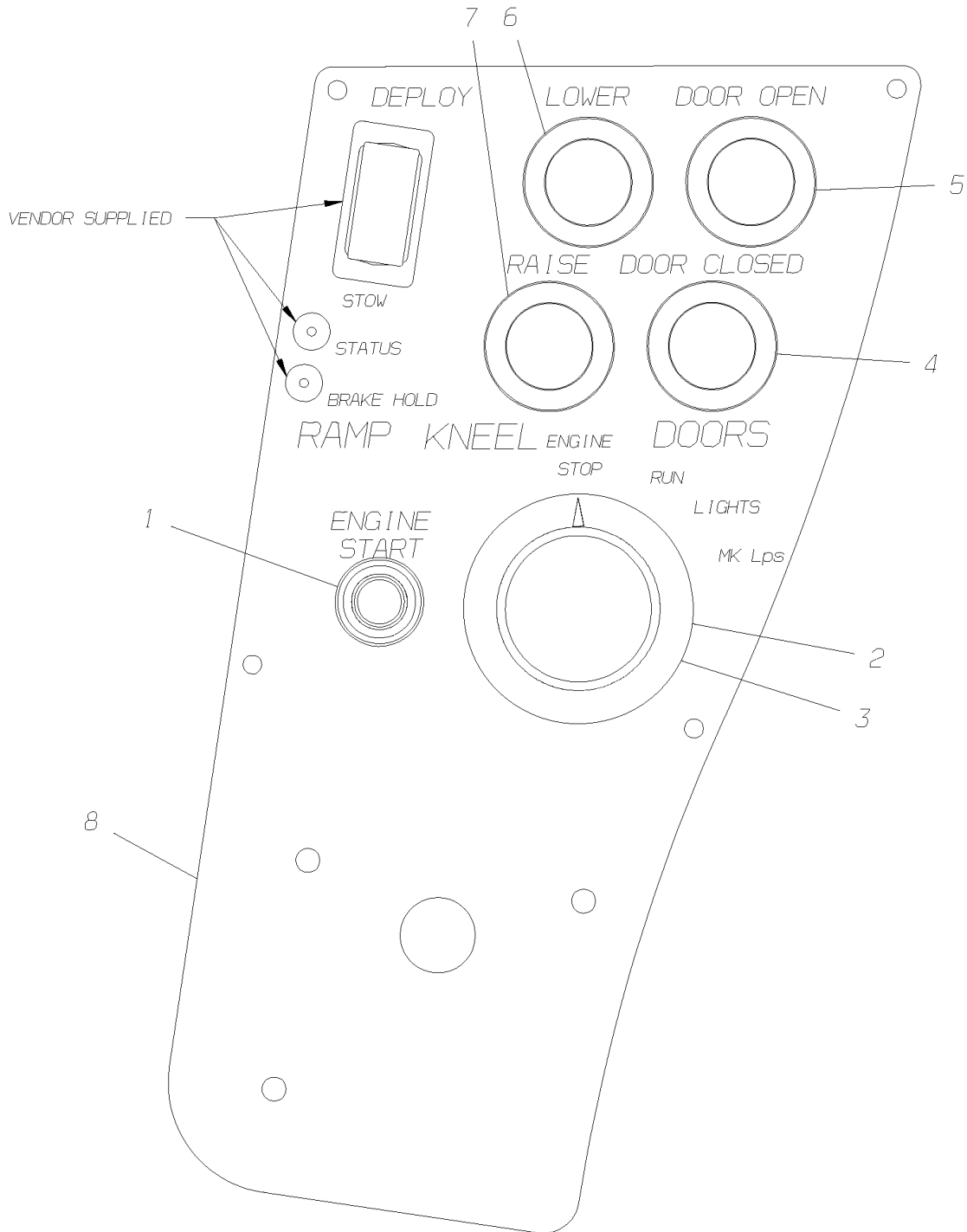


Models: L4RE
PANEL ASSEMBLIES
SWITCH, CONSOLE, WITH ROTARY IGNITION AND RAMP
With: FEATURE 30241-01 WITH OUT FEATURE 31062-01
BSN: From CSN F40142581

Key	PartNumber	Qty	Description	Comment
	0065104		CONSOLE,ASSY,SWITCHES,W/ROT IGN AND	
1	0039438		SWITCH,PUSH BUTTON,START	
2	0039953		SWITCH,MASTER ROTARY,4 POS,6 TERM	
3	1103373		KNOB,MASTER ROTARY SWITCH	
4	0053668		ASSY,SW,PUSH BUTTON,RED,W/CONTACT BASE	
5	0053669		ASSY,SW,PUSH BUTTON,GREEN,W/CONTACT	
6	0053670		ASSY,SW,PUSH BUTTON,AMBER,W/CONTACT	
7	0053671		ASSY,SW,PUSH BUTTON,ORANGE,W/CONTACT	
8	0053684		PANEL,SWITCH CONSOLE, L4RE	

Models: L4RE
PANEL ASSEMBLIES
SWITCH, CONSOLE, WITH ROTARY IGNITION AND RAMP
With: FEATURE 31062-01 WITH 30241-01 WITH OUT 31061-04, -05, -07

Key	PartNumber	Qty	Description	Comment
-----	------------	-----	-------------	---------

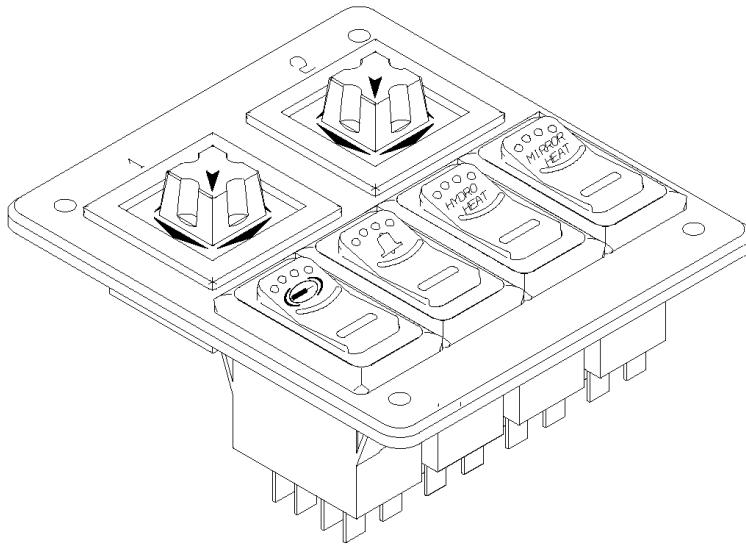


Models: L4RE
PANEL ASSEMBLIES
SWITCH, CONSOLE, WITH ROTARY IGNITION AND RAMP
With: FEATURE 31062-01 WITH 30241-01 WITH OUT 31061-04, -05, -07

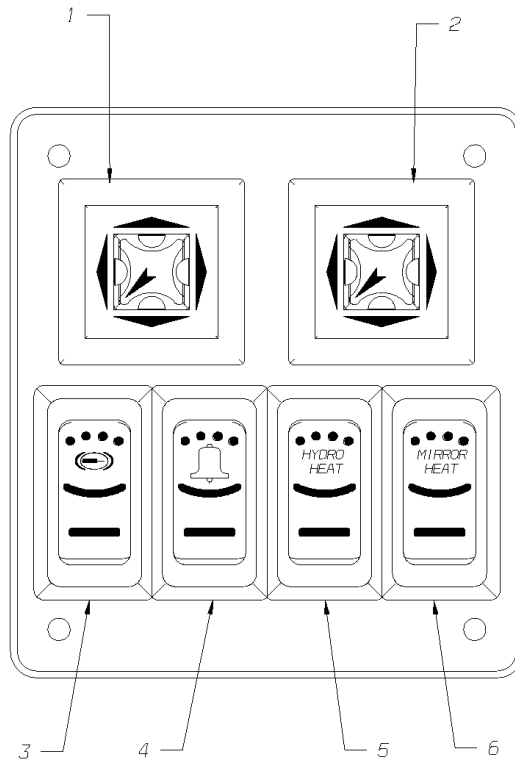
Key	PartNumber	Qty	Description	Comment
	0065121		CONSOLE,ASSY,FRONT,W/ROT IGN AND RAMP,	
1	0039438		SWITCH,PUSH BUTTON,START	
2	0039953		SWITCH,MASTER ROTARY,4 POS,6 TERM	
3	1103373		KNOB,MASTER ROTARY SWITCH	
4	0053668		ASSY,SW,PUSH BUTTON,RED,W/CONTACT BASE	
5	0053669		ASSY,SW,PUSH BUTTON,GREEN,W/CONTACT	
6	0053670		ASSY,SW,PUSH BUTTON,AMBER,W/CONTACT	
7	0053671		ASSY,SW,PUSH BUTTON,ORANGE,W/CONTACT	
8	0065120		PANEL,ELEC,CONSOLE,W/ROT IGN AND RAMP,	

Models: L4RE
PANEL ASSEMBLIES
SWITCH, DRIVER'S SIDE
MIRRORS, RETARDER

Key	PartNumber	Qty	Description	Comment
-----	------------	-----	-------------	---------



ISOMETRIC VIEW

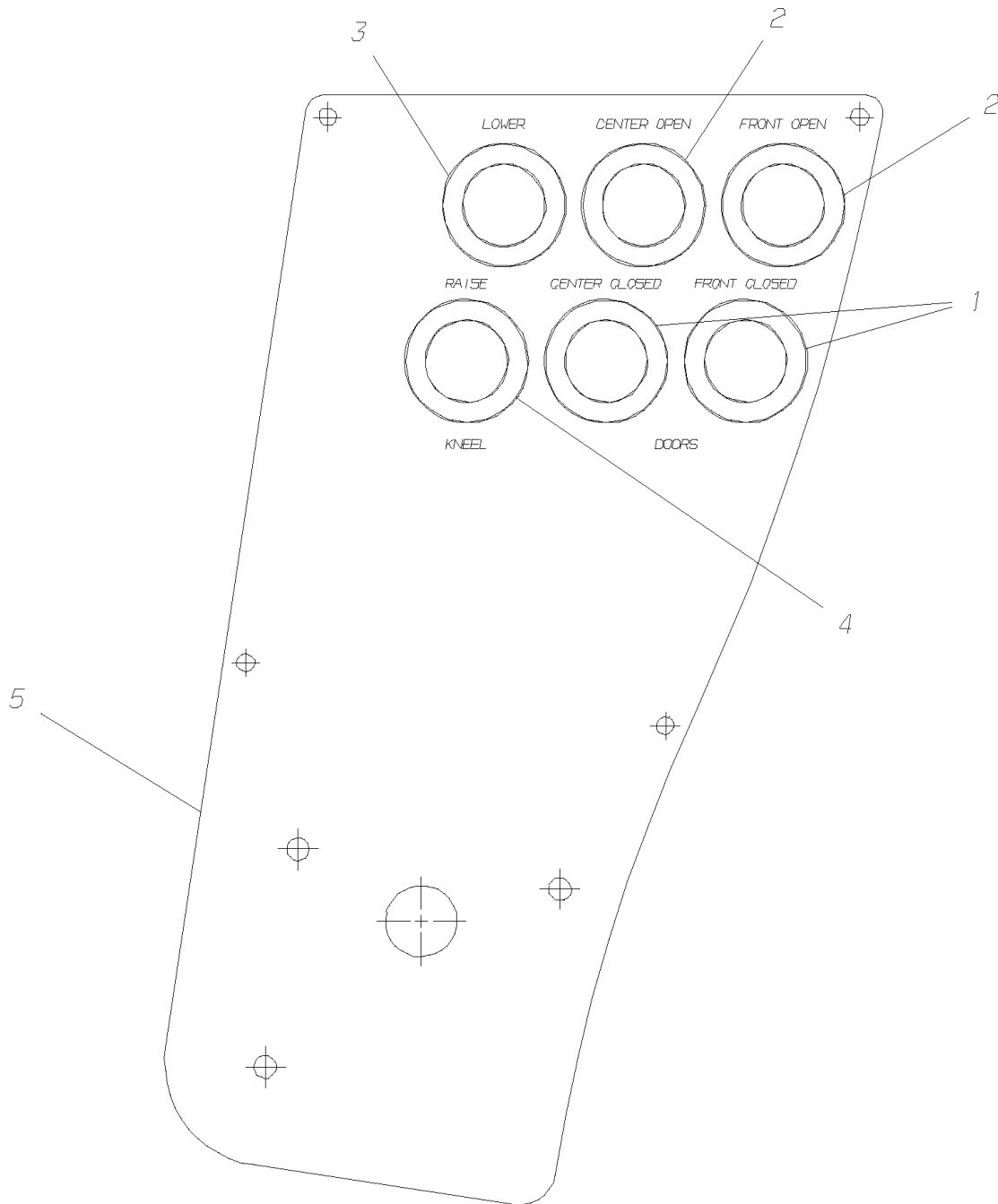


Models: L4RE
PANEL ASSEMBLIES
SWITCH, DRIVER'S SIDE
MIRRORS, RETARDER

Key	PartNumber	Qty	Description	Comment
	0058095		PANEL ASSY,SWITCH,DRIVERS SIDE, L4RE	
1	3907169		SWITCH,MIRROR POSITION CTRL,RAMCO 592	FEATURE 30482-05
2	3907169		SWITCH,MIRROR POSITION CTRL,RAMCO 592	FEATURE 30482-05
3	0027294		SWITCH,BASE,NGR,SPST,ON-ON,EXT IND	FEATURE 40423-02
	0051049		ROCKER,NGR,TRANS RETARDER	FEATURE 40423-02
4	0027294		SWITCH,BASE,NGR,SPST,ON-ON,EXT IND	FEATURE 30299-01
	0027323		ROCKER,BUTTON,NGR,CHIME	FEATURE 30299-01
5	0027294		SWITCH,BASE,NGR,SPST,ON-ON,EXT IND	FEATURE 30059-18, -19
	0051042		ROCKER,NGR,HYDRONIC HEAT	FEATURE 30059-18, -19
6	0027297		SWITCH,BASE,NGR,SPST,IND,OFF-MOM ON	FEATURE 30482-05
	0051040		ROCKER,NGR,MIRROR HEATED	FEATURE 30482-05
NI	0027349		BLANK,PLUG,SWITCH PANEL,NGR	
7	0058088		PANEL,SWITCH,MIRROR, L4RE	

Models: L4RE
PANEL ASSEMBLIES
SWITCH, ELECTRIC, CONSOLE, WITH OUT ROTARY IGNITION
With: FEATURE 30977-08, -10 WITH FEATURE 31061 WITH OUT FEATURE 30241-01, 31062-01
 To CSN F40142580

Key	PartNumber	Qty	Description	Comment
-----	------------	-----	-------------	---------

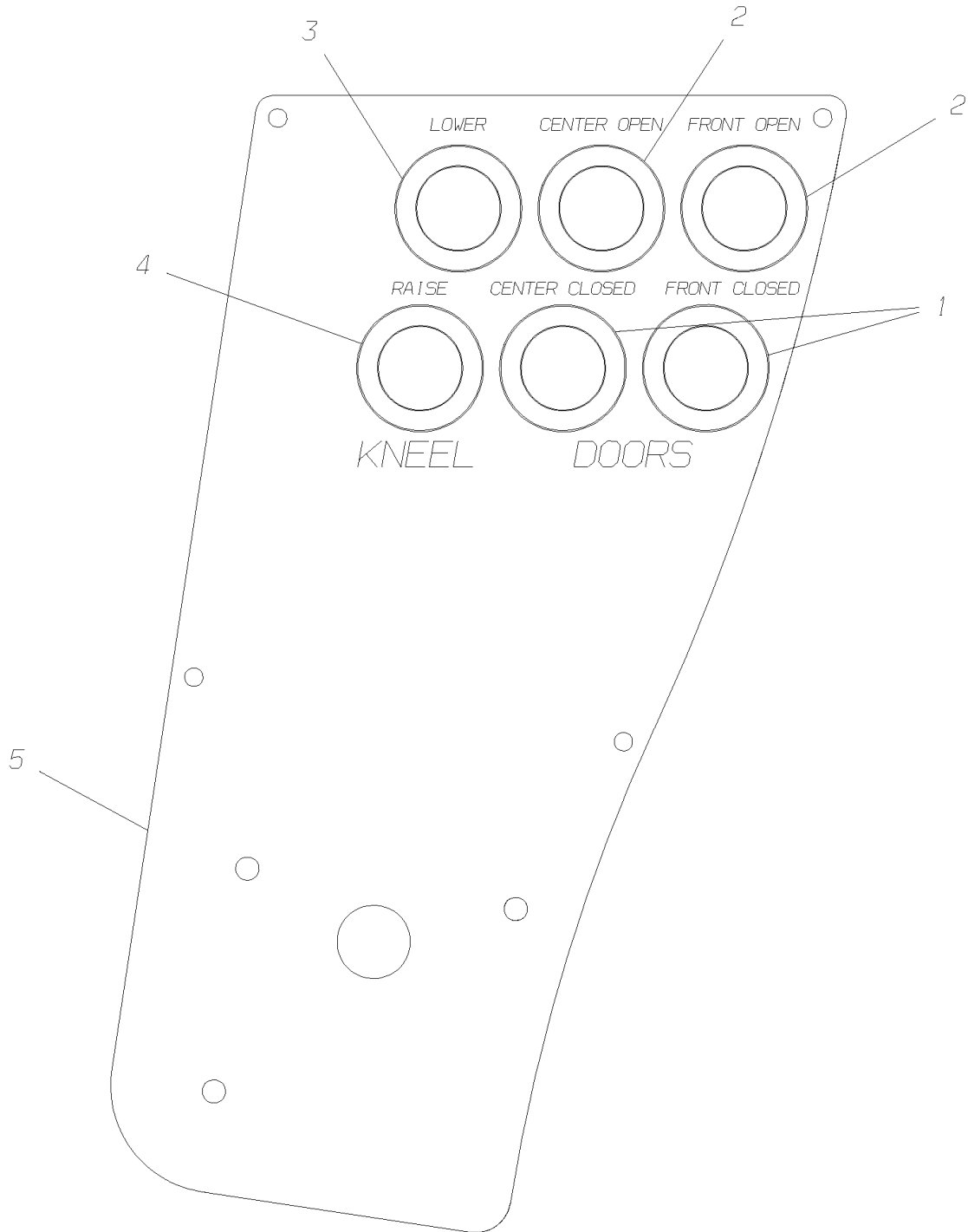


**Models: L4RE
 PANEL ASSEMBLIES
 SWITCH, ELECTRIC, CONSOLE, WITH OUT ROTARY IGNITION**
**With: FEATURE 30977-08, -10 WITH FEATURE 31061 WITH OUT FEATURE 30241-01, 31062-01
 To CSN F40142580**

Key	PartNumber	Qty	Description	Comment
	0061020		PANEL ASSY,ELECTRIC,CONSOLE,W/O ROTARY	
1	0053668	2	ASSY,SW,PUSH BUTTON,RED,W/CONTACT BASE	
2	0053669	2	ASSY,SW,PUSH BUTTON,GREEN,W/CONTACT	
3	0053670		ASSY,SW,PUSH BUTTON,AMBER,W/CONTACT	
4	0053671		ASSY,SW,PUSH BUTTON,ORANGE,W/CONTACT	
5	0061021		PANEL,ELECTRIC,CONSOLE, L4RE	

Models: L4RE
PANEL ASSEMBLIES
SWITCH, ELECTRIC, CONSOLE, WITH OUT ROTARY IGNITION AND RAMP
With: FEATURE 30977-08, -10 WITH FEATURE 31061 WITH OUT FEATURE 30241-01, 31062-01
BSN: From CSN F40142581

Key	PartNumber	Qty	Description	Comment
-----	------------	-----	-------------	---------

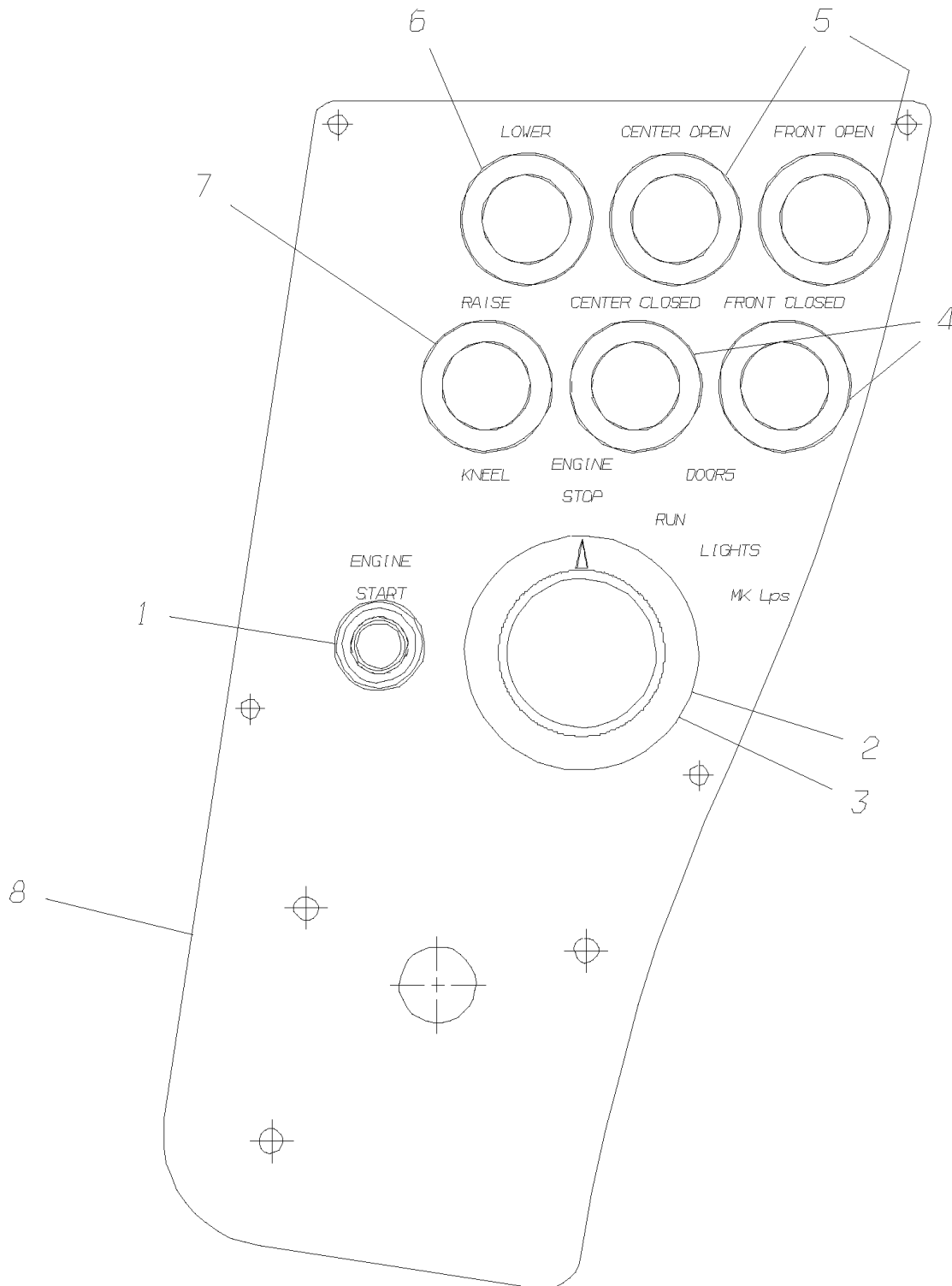


Models: L4RE
PANEL ASSEMBLIES
SWITCH, ELECTRIC, CONSOLE, WITH OUT ROTARY IGNITION AND RAMP
With: FEATURE 30977-08, -10 WITH FEATURE 31061 WITH OUT FEATURE 30241-01, 31062-01
BSN: From CSN F40142581

Key	PartNumber	Qty	Description	Comment
	0065105		CONSOLE,ASSY,SWITCHES,W/O ROT IGN AND	
1	0053668		ASSY,SW,PUSH BUTTON,RED,W/CONTACT BASE	
2	0053669		ASSY,SW,PUSH BUTTON,GREEN,W/CONTACT	
3	0053670		ASSY,SW,PUSH BUTTON,AMBER,W/CONTACT	
4	0053671		ASSY,SW,PUSH BUTTON,ORANGE,W/CONTACT	
5	0061021		PANEL,ELECTRIC,CONSOLE, L4RE	

Models: L4RE
PANEL ASSEMBLIES
SWITCH, ELECTRIC, CONSOLE, WITH ROTARY IGNITION
With: FEATURE 30241-01 WITH OUT FEATURE 31062-01
 To CSN 40142580

Key	PartNumber	Qty	Description	Comment
-----	------------	-----	-------------	---------

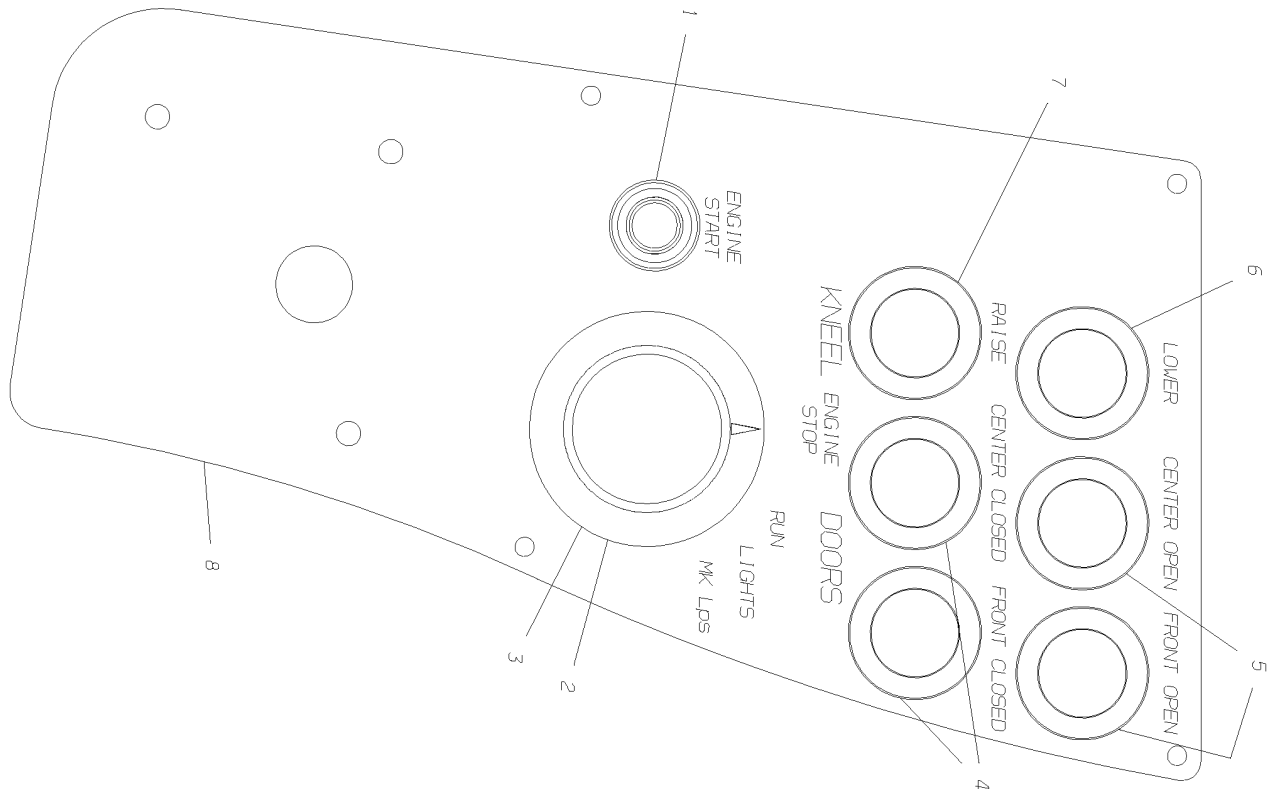


Models: L4RE
PANEL ASSEMBLIES
SWITCH, ELECTRIC, CONSOLE, WITH ROTARY IGNITION
With: FEATURE 30241-01 WITH OUT FEATURE 31062-01
 To CSN 40142580

Key	PartNumber	Qty	Description	Comment
	0061019		PANEL ASSY,ELECTRIC,CONSOLE,W/ROTARY	
1	0039438		SWITCH,PUSH BUTTON,START	
2	0039953		SWITCH,MASTER ROTARY,4 POS,6 TERM	
3	1103373		KNOB,MASTER ROTARY SWITCH	
4	0053668	2	ASSY,SW,PUSH BUTTON,RED,W/CONTACT BASE	
5	0053669	2	ASSY,SW,PUSH BUTTON,GREEN,W/CONTACT	
6	0053670		ASSY,SW,PUSH BUTTON,AMBER,W/CONTACT	
7	0053671		ASSY,SW,PUSH BUTTON,ORANGE,W/CONTACT	
8	0061022		PANEL,ELECTRIC,CONSOLE,W/ROTARY IGN,	

Models: L4RE
PANEL ASSEMBLIES
SWITCH, ELECTRIC, WITH ROTARY IGNITION
With: FEATURE 30241-01 WITH OUT FEATURE 31062-01
BSN: From CSN F40142581

Key	PartNumber	Qty	Description	Comment
-----	------------	-----	-------------	---------



Models: L4RE
PANEL ASSEMBLIES
SWITCH, ELECTRIC, WITH ROTARY IGNITION
With: FEATURE 30241-01 WITH OUT FEATURE 31062-01
BSN: From CSN F40142581

Key	PartNumber	Qty	Description	Comment
	0065106		CONSOLE,ASSY,SWITCHES,W/ROTARY IGN,	
1	0039438		SWITCH,PUSH BUTTON,START	
2	0039953		SWITCH,MASTER ROTARY,4 POS,6 TERM	
3	1103373		KNOB,MASTER ROTARY SWITCH	
4	0053668		ASSY,SW,PUSH BUTTON,RED,W/CONTACT BASE	
5	0053669		ASSY,SW,PUSH BUTTON,GREEN,W/CONTACT	
6	0053670		ASSY,SW,PUSH BUTTON,AMBER,W/CONTACT	
7	0053671		ASSY,SW,PUSH BUTTON,ORANGE,W/CONTACT	
8	0061022		PANEL,ELECTRIC,CONSOLE,W/ROTARY IGN,	

Models: L4RE
PDU, REAR
B5.9 G PLUS
With: FEATURE 40180-01

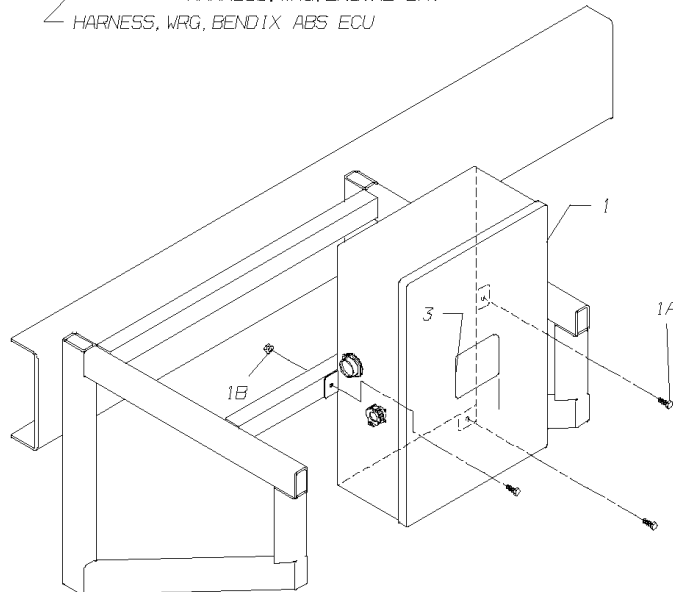
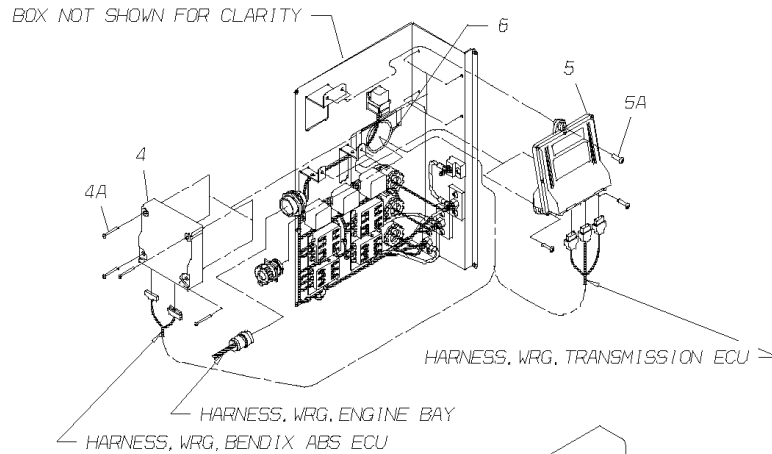
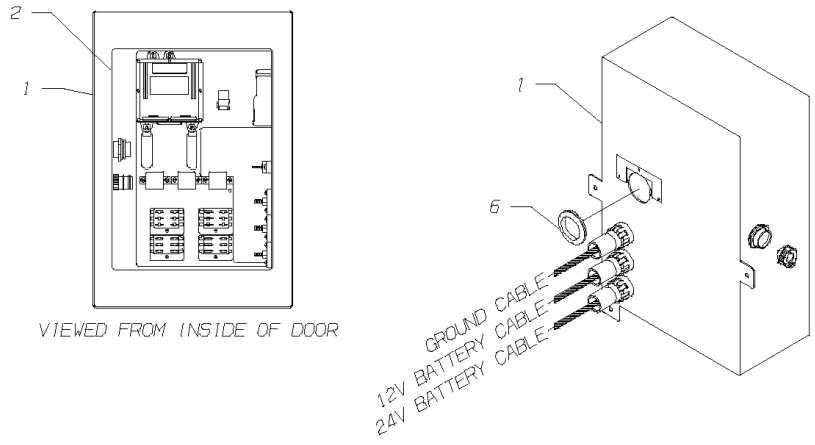
Key	PartNumber	Qty	Description	Comment
	0050535		BOX ASSY,REAR,PDU,B5.9 G PLUS, L4RE	
1	0050640		BOX,ENCLOSURE,REAR,PDU, L4RE	
1A				SCREW SUPPLIED WITH THE VENDOR BOX.
2	0050425		PANEL,INNER REAR,PDU, L4RE	
2A	2000784	2	SCREW,MACH,1/4-20X1/2,PH1,TRUSSHD,	
2B	0659979	2	NUT,HEX,FLANGE SER,1/4-20,BLACK ZINC	
3	0050516		PLATE ASSY,CLOSEOUT,REAR PDU, L4RE	
3A	1334689	3	SCREW,10-32 X 3/8,F,PH1,PAN HD,YEL ZN DICH	
4	0049581	2	PANEL,FUSE,6 POSITION	
4A	0041386	2	PANEL,FUSE,8 POSITION	
4B	0037126	16	SCREW,10-32 X 1,F,PH1,PAN HD,YEL ZN DICH	
4C	0015990	6	FUSE,AUTO,5.0 AMPS	
4D	0042298	3	BREAKER,CIRC,BUSM-400,MAN RESET,7.5A	
4E	0042300	6	BREAKER,CIRC,BUSM-400,MAN RESET,10A	
4F	0042303	2	BREAKER,CIRC,BUSM-400,MAN RESET,25A	
4G	0042367		BREAKER,CIRC,BUSM-400,MAN RESET,30A	
5	0050511	3	SOLENOID,50A,BOSCH	
5A	0019061	6	SCREW,10-32 X 1/2,F,PH1,PAN HD,BLACK ZINC	
6	0050502		HARNESS,WRG,REAR PDC B5.9 G PLUS, L4RE	
6A	0019061	2	SCREW,10-32 X 1/2,F,PH1,PAN HD,BLACK ZINC	
6B	0002662		GASKET,CONNECTOR,24 SHELL,DEUTSCH	
6C			LOCKWASHER SUPPLIED WITH THE HARNESS	
6D			NUT, PANEL SUPPLIED WITH THE HARNESS	

Models: L4RE
PDU, REAR
B5.9 G PLUS
With: FEATURE 40180-01

Key	PartNumber	Qty	Description	Comment
7	0002809		JUNCTION BLOCK,COOPER,C5268-4	
7A	1731017		SCREW,12-24 X 7/8,F,PH1,FLT CNSK HD,BLK	
7B	1247709		WASHER,FLAT,17/64 ID X,5/8,YEL ZN DICH	
7C	2001170		LOCKWASHER,SPLIT RING, 1/4 ,MED,YEL ZN	
7D	2001337		NUT,HEX HD,1/4-20,ZINC	
8	0553131	3	STUD,TERMINAL,BAT CABLE JUNCTION,NO	
8A	1062124	3	SCREW,1/4-14 X 1,AB,PH1,PAN HD,YEL ZN	
8B	0839027	3	NUT,HEX HD,3/8-16,GR G,SM FLG LK,YEL	
9	0002220	3	BOOT,HEAT SHRINKABLE,RAYCHEM CES-3	
10	0049184		HARNES,WRG,DATALINK,J1939,DIAGNOSTIC	
10	0013525		COVER,DUST,9 CIRC,HD10 SERIES,DEUTSCH	
10	1903020	4	SCREW,MACH,6/32 X 1/2,PH1,PN HD,YEL ZN	
10	2001162	4	LOCKWASHER,SPLIT RING, 3/16,MED,YEL ZN	
10	1711191	4	NUT,HEX HD,6-32,YEL ZN DICH	
10	0050603		GASKET,CONNECTOR,9 SHELL,DEUTSCH	
11	0050606		CABLE ASSY,8 GA,BLACK,3/8 X 1/4 X 4.00 LG	
12	0050607		CABLE ASSY,10 GA,ORANGE,3/8 X #10 X 6.00	
13	0050608		CABLE ASSY,10 GA,RED,3/8 X #10 X 6.00 LG	
14	1653948	8	TIE,CABLE,NYLON PUSH MOUNT	
17	1587443		VALVE,DRAIN WATER,ECO2	
NI	1696723		FUSE,AUTO,10 AMP	
NI	0042301		BREAKER,CIRC,BUSM-400,MAN RESET,15A	

Models: L4RE
PDU, REAR
INSTALLATION
With: FEATURE 40179-01, -02, 40180-01

Key	PartNumber	Qty	Description	Comment
-----	------------	-----	-------------	---------



Models: L4RE
**PDU, REAR
 INSTALLATION**
With: FEATURE 40179-01, -02, 40180-01

Key	PartNumber	Qty	Description	Comment
1	0050534		BOX ASSY,REAR,PDU,ISB.02, L4RE	FEATURE 40179-01,-02.
1	0050535		BOX ASSY,REAR,PDU,B5.9 G PLUS, L4RE	FEATURE 40180-01.
1A	0988691	3	CAPSCREW,HEX HD,3/8-16X 7/8,GR5,YEL ZN	
1B	1013689	3	NUT,HEX HD,3/8-16,WASHER SER,YEL ZN DICH	
2	0050633		DECAL,REAR,PDU,ISB.02, L4RE	FEATURE 40179-01, -02.
2	0050634		DECAL,REAR,PDU,B5.9 G PLUS, L4RE	FEATURE 40180-01.
3	0042939		DECAL,PDU BOX, C4RE/H4RE	
4	0046009		ECU,ABS,BENDIX,EC-30	
4A	0050529	4	SCREW,1/4-20 X 1-3/4,D,HEX HD,YEL ZN DICH	
5				FOR REFERENCE ONLY
5A	1422948		SCREW,1/4-20 X 1-1/4,D,HEX HD,YEL ZN DICH	
5B	0053492		BRKT,MTG,TCM,2000/24000,TRANS,SERIES,	
5C	1422948		SCREW,1/4-20 X 1-1/4,D,HEX HD,YEL ZN DICH	
6	2004547		TRIM,INSTRUMENT HOOD,VINYL EDGE,BLACK	
7	1587443		VALVE,DRAIN WATER,ECO2	

Models: L4RE
PDU, REAR
ISB 02
With: FEATURE 40179-01, -02

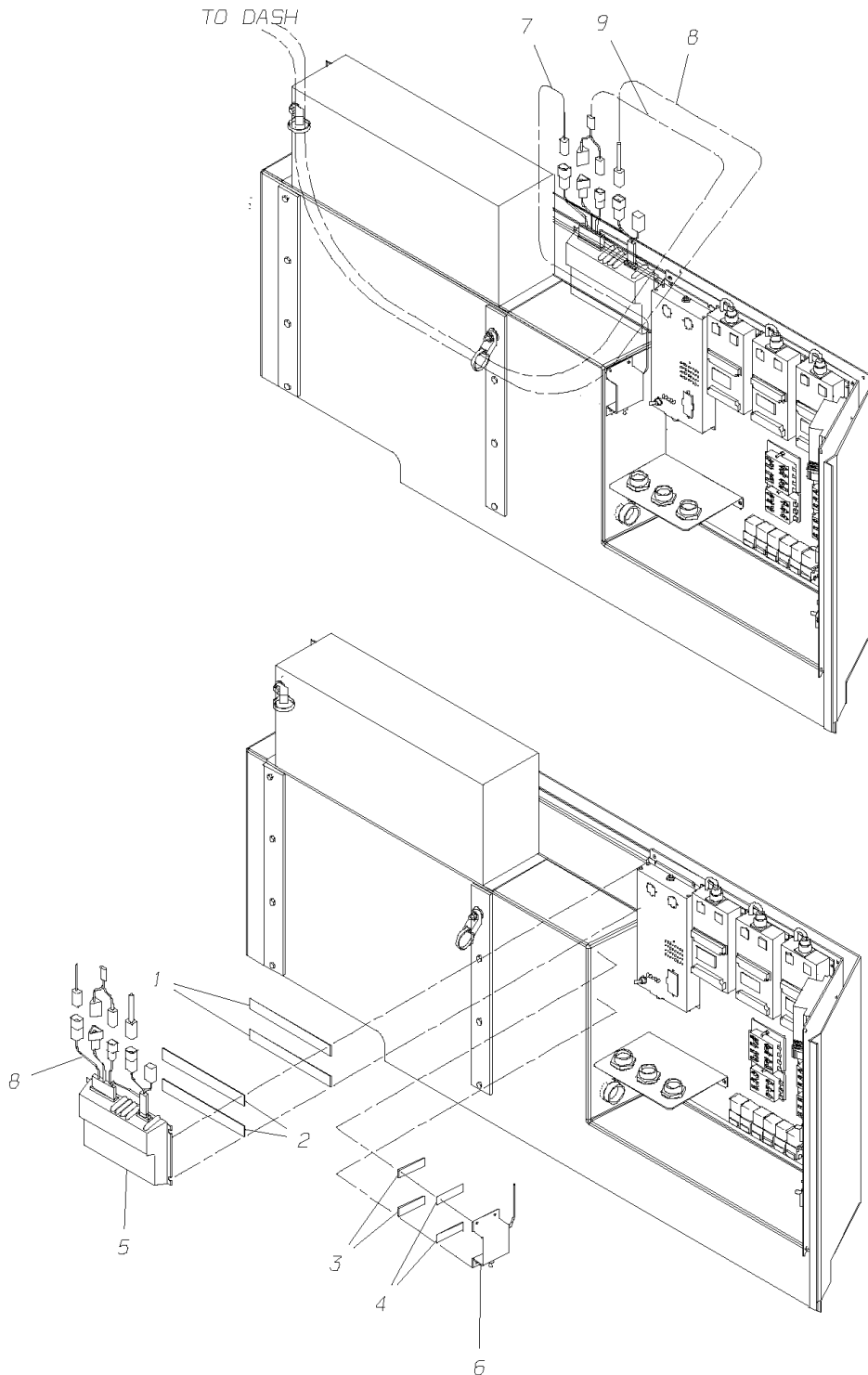
Key	PartNumber	Qty	Description	Comment
	0050534		BOX ASSY,REAR,PDU,ISB.02, L4RE	
1	0050640		BOX,ENCLOSURE,REAR,PDU, L4RE	
1A				SCREW SUPPLIED WITH THE VENDOR BOX
2	0050425		PANEL,INNER REAR,PDU, L4RE	
2A	2000784	2	SCREW,MACH,1/4-20X1/2,PH1,TRUSSHD,	
2B	0659979	2	NUT,HEX,FLANGE SER,1/4-20,BLACK ZINC	
3	0050516		PLATE ASSY,CLOSEOUT,REAR PDU, L4RE	
3A	1334689	3	SCREW,10-32 X 3/8,F,PH1,PAN HD,YEL ZN DICH	
4	0049581	4	PANEL,FUSE,6 POSITION	
4A	0037126	16	SCREW,10-32 X 1,F,PH1,PAN HD,YEL ZN DICH	
4B	0015990		FUSE,AUTO,5.0 AMPS	
4C	0042298	2	BREAKER,CIRC,BUSM-400,MAN RESET,7.5A	
4D	0042300	3	BREAKER,CIRC,BUSM-400,MAN RESET,10A	
NI	0042301		BREAKER,CIRC,BUSM-400,MAN RESET,15A	
4E	0042303	2	BREAKER,CIRC,BUSM-400,MAN RESET,25A	
4F	0042367	2	BREAKER,CIRC,BUSM-400,MAN RESET,30A	
5	0050511	3	SOLENOID,50A,BOSCH	
5A	0019061	6	SCREW,10-32 X 1/2,F,PH1,PAN HD,BLACK ZINC	
6	0050501		HARNESS,WRG,REAR PDC ISB02, L4RE	
6A	0019061		SCREW,10-32 X 1/2,F,PH1,PAN HD,BLACK ZINC	
6B	0002662		GASKET,CONNECTOR,24 SHELL,DEUTSCH	
6C			LOCKWASHER SUPPLIED WITH THE HARNESS	
6D			NUT, PANEL SUPPLIED WITH THE HARNESS	

Models: L4RE
PDU, REAR
ISB 02
With: FEATURE 40179-01, -02

Key	PartNumber	Qty	Description	Comment
7	0002809		JUNCTION BLOCK,COOPER,C5268-4	
7A	1731017		SCREW,12-24 X 7/8,F,PH1,FLT CNSK HD,BLK	
7B	1247709		WASHER,FLAT,17/64 ID X,5/8,YEL ZN DICH	
7C	2001170		LOCKWASHER,SPLIT RING, 1/4 ,MED,YEL ZN	
7D	2001337		NUT,HEX HD,1/4-20,ZINC	
8	0553131	3	STUD,TERMINAL,BAT CABLE JUNCTION,NO	
8A	1062124	3	SCREW,1/4-14 X 1,AB,PH1,PAN HD,YEL ZN	
8B	0839027	3	NUT,HEX HD,3/8-16,GR G,SM FLG LK,YEL	
9	0002220	3	BOOT,HEAT SHRINKABLE,RAYCHEM CES-3	
10	0049184		HARNES,WRG,DATALINK,J1939,DIAGNOSTIC	
10	0013525		COVER,DUST,9 CIRC,HD10 SERIES,DEUTSCH	
10	1903020	4	SCREW,MACH,6/32 X 1/2,PH1,PN HD,YEL ZN	
10	2001162	4	LOCKWASHER,SPLIT RING, 3/16,MED,YEL ZN	
10	1711191	4	NUT,HEX HD,6-32,YEL ZN DICH	
10	0050603		GASKET,CONNECTOR,9 SHELL,DEUTSCH	
11	0050606		CABLE ASSY,8 GA,BLACK,3/8 X 1/4 X 4.00 LG	
12	0050607		CABLE ASSY,10 GA,ORANGE,3/8 X #10 X 6.00	
13	0050608		CABLE ASSY,10 GA,RED,3/8 X #10 X 6.00 LG	
14	1653948	8	TIE,CABLE,NYLON PUSH MOUNT	
15	1696756		FUSE,AUTO,30 AMP	
16	0042301		BREAKER,CIRC,BUSM-400,MAN RESET,15A	
17	1587443		VALVE,DRAIN WATER,ECO2	

Models: L4RE
RAMP CONTROL MODULE INSTALLATION

Key	PartNumber	Qty	Description	Comment
-----	------------	-----	-------------	---------

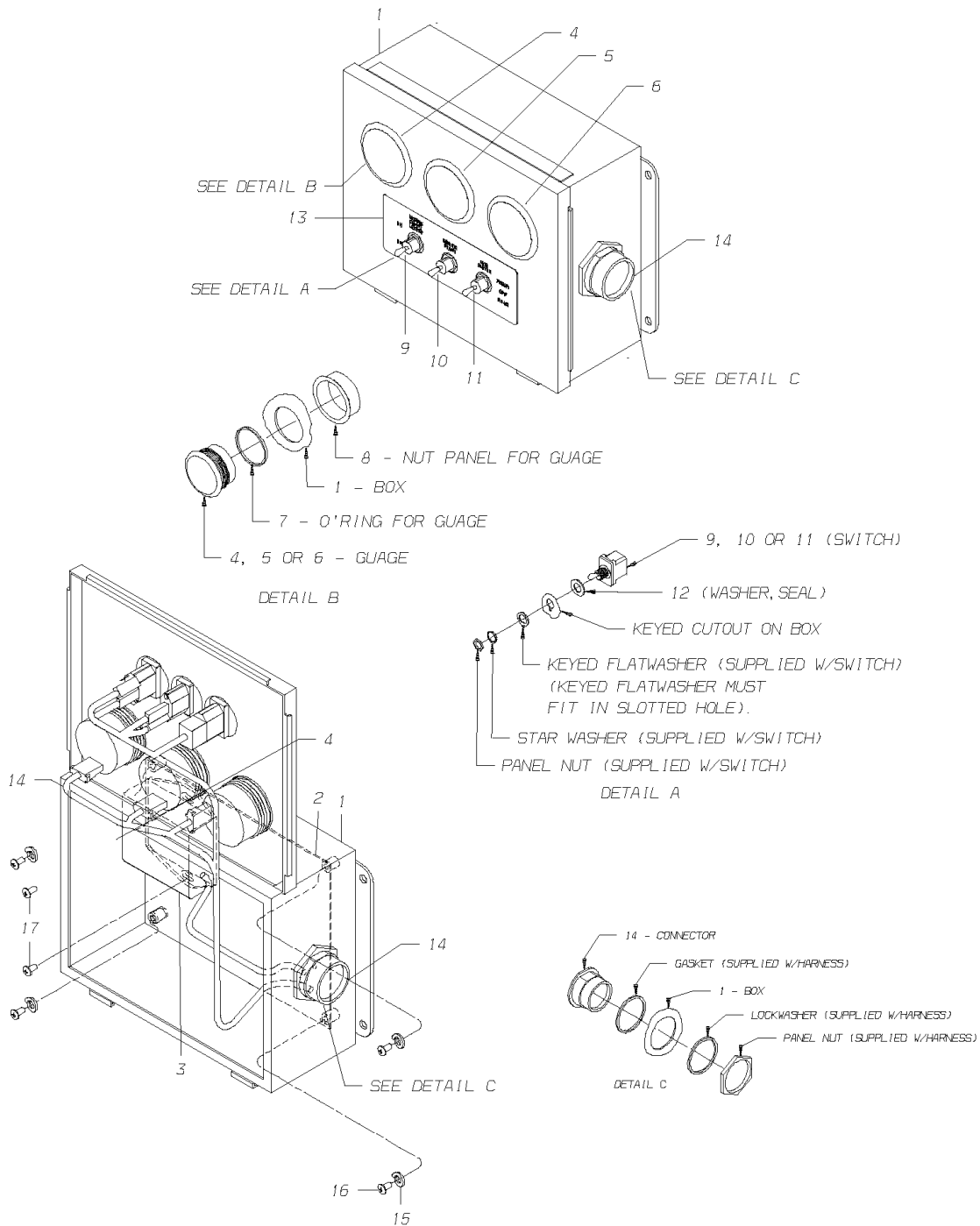


**Models: L4RE
RAMP CONTROL MODULE INSTALLATION**

Key	PartNumber	Qty	Description	Comment
1	3751492		TAPE,SJ 3537 LOOP 3M PRESS SENSITIVE,1 IN	
2	3751500		TAPE,SJ 3538 HOOK B 3M PRESSURE	
3	3751492		TAPE,SJ 3537 LOOP 3M PRESS SENSITIVE,1 IN	
4	3751500		TAPE,SJ 3538 HOOK B 3M PRESSURE	
5			CPU RAMP CONTROL MODULE	
6			BRACKET, RAMP CONTROL	
7			WIRE ASSEMBLY, RAMP CONTROL	
8			WIRE ASSEMBLY, RAMP CONTROL	
9			WIRE ASSEMBLY, RAMP CONTROL	

Models: L4RE
With: REAR CONTROL BOX
 FEATURE 40179-01, -02
 To CSN 40142580

Key	PartNumber	Qty	Description	Comment
-----	------------	-----	-------------	---------

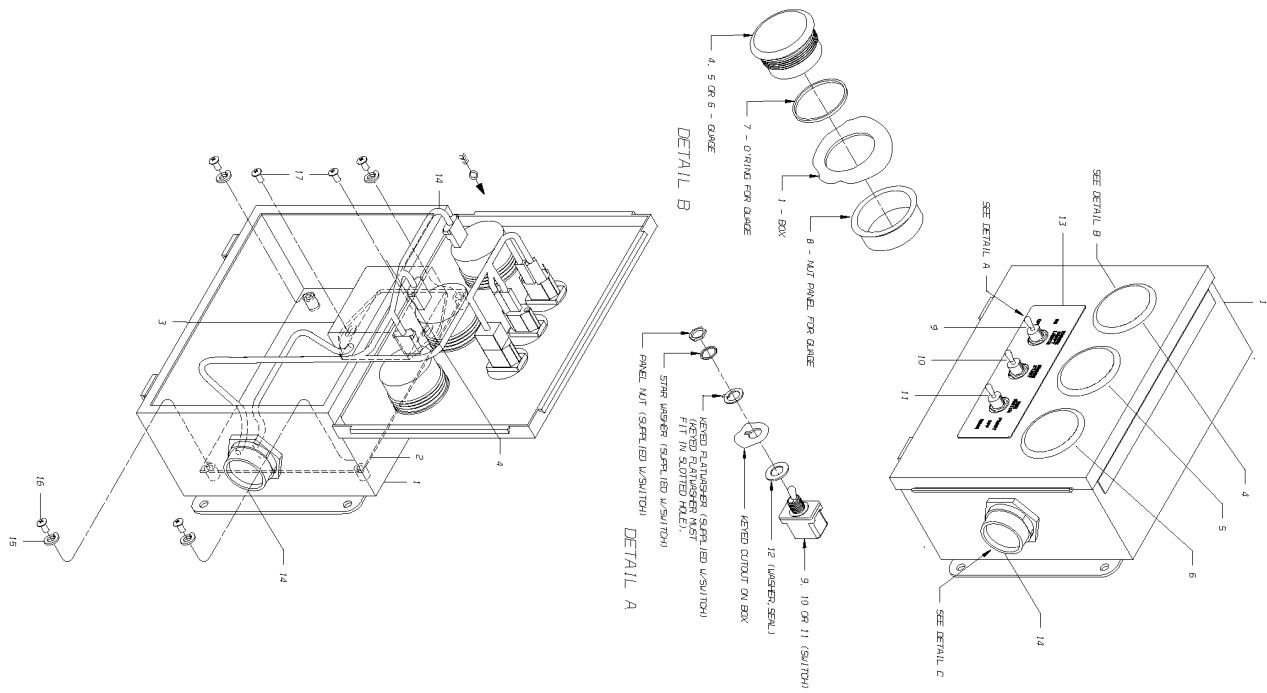


Models: L4RE
With: REAR CONTROL BOX
 FEATURE 40179-01, -02
 To CSN 40142580

Key	PartNumber	Qty	Description	Comment
	0048686		BOX ASSY,REAR,CONTROL, L4RE	
1	0042774		BOX,REAR,CONTROL, C4RE,H4RE	
2	0042255		PLATE,MTG,ELEC,COMP,RR CONTROL BX,C4RE,	
3	0041124		GAUGE,CONTROLLER MODULE	
4	0036899		GAUGE,OIL PRESSURE,DATA LINK,PI	
5	0036900		GAUGE,COOLANT TEMP,DATA LINK,PI	
6	0036901		GUAGE,HOURMETER,DATA LINK,PI	
7	2545325	3	O-RING,136	
8	0042122	3	RING,MTG,PI,2.375	
9	0004201		SWITCH,TOGGLE,DPST,MAINTAINED	
10	0004199		SWITCH,TOGGLE,SPST,MOMENTARY	
11	0044069		SWITCH,TOGGLE,DPDS,MAINTAINED,32NT91-1	
12	0039837	3	SEAL,WASHER,.53 ID X 1.50 OD X .08 THK	
13	0043086		DECAL,REAR,CONTROL,BOX, C4RE,H4RE	
14	0048685		HARNESS,WRG,REAR,CONTROL,MULTIPLEX,	
15	2001162	4	LOCKWASHER,SPLIT RING, 3/16,MED,YEL ZN	
16	3754728	4	SCREW,MACH,10-32 X 3/8,PH1,PAN HD,	
17	0019061	2	SCREW,10-32 X 1/2,F,PH1,PAN HD,BLACK ZINC	

Models: L4RE
With: REAR CONTROL BOX
BSN: FEATURE 40179-01, -02
From CSN: F40142581

Key	PartNumber	Qty	Description	Comment
-----	------------	-----	-------------	---------

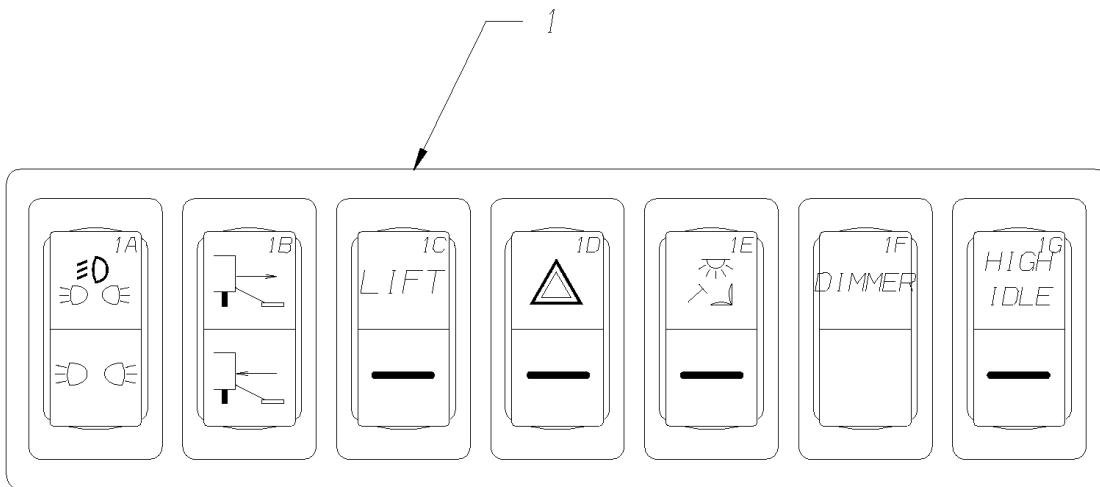


Models: L4RE
With: REAR CONTROL BOX
BSN: FEATURE 40179-01, -02
 From CSN F40142581

Key	PartNumber	Qty	Description	Comment
	0065098		BOX,ASSY,REAR,ENGINE CONTROL, L4RE	
1	0042774		BOX,REAR,CONTROL, C4RE,H4RE	
2	0042255		PLATE,MTG,ELEC,COMP,RR CONTROL BX,C4RE,	
3	0041124		GAUGE,CONTROLLER MODULE	
4	0061913		GAUGE,ASSY,OIL PRESS,DATA LK,PI,PRX	
5	0036900		GAUGE,COOLANT TEMP,DATA LINK,PI	
6	0036901		GUAGE,HOURMETER,DATA LINK,PI	
7	2545325	3	O-RING,136	
8	0042122	3	RING,MTG,PI,2.375	
9	0004201		SWITCH,TOGGLE,DPST,MAINTAINED	
10	0004199		SWITCH,TOGGLE,SPST,MOMENTARY	
11	0044069		SWITCH,TOGGLE,DPDS,MAINTAINED,32NT91-1	
12	0039837	3	SEAL,WASHER,.53 ID X 1.50 OD X .08 THK	
13	0043086		DECAL,REAR,CONTROL,BOX, C4RE,H4RE	
14	0048685		HARNES,WRG,REAR,CONTROL,MULTIPLEX,	
15	2001162	4	LOCKWASHER,SPLIT RING, 3/16,MED,YEL ZN	
16	3754728	4	SCREW,MACH,10-32 X 3/8,PH1,PAN HD,	
17	0019061	2	SCREW,10-32 X 1/2,F,PH1,PAN HD,BLACK ZINC	

Models: L4RE
SWITCH PANEL
DASH
To CSN F40142580

Key	PartNumber	Qty	Description	Comment
-----	------------	-----	-------------	---------

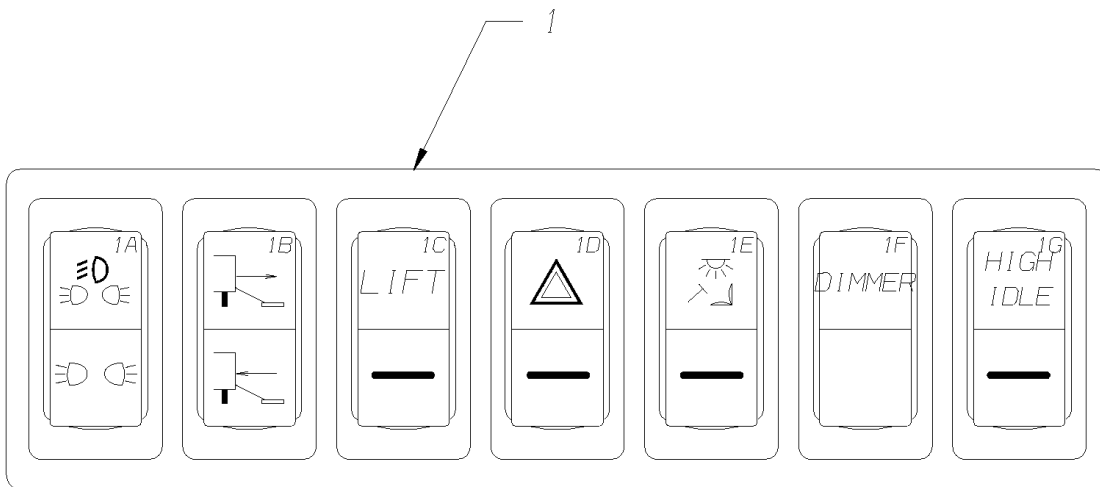


Models: L4RE
SWITCH PANEL
DASH
To CSN F40142580

Key	PartNumber	Qty	Description	Comment
	0053609		ASSEMBLY,SWITCH PANEL, L4RE	
1	0053532		PLATE,SWITCH PANEL, L4RE	
1A	0051021		SWITCH,BASE,NGR,DPDT,ON-OFF-ON	
	0051039		ROCKER,NGR,HEAD/PARK LIGHTS	
1B	0027294		SWITCH,BASE,NGR,SPST,ON-ON,EXT IND	
	0027323		ROCKER,BUTTON,NGR,CHIME	
1C	0027294		SWITCH,BASE,NGR,SPST,ON-ON,EXT IND	
	0027325		ROCKER,BUTTON,NGR,LIFT	
1D	0051027		SWITCH,BASE,NGR,DPST,ON-NONE-ON	
	0051041		ROCKER,NGR,HAZARD	
1E	0027294		SWITCH,BASE,NGR,SPST,ON-ON,EXT IND	
	0051046		ROCKER,NGR,DRIVERS LIGHT	
1F	0027933		SWITCH,SLIDE,DIMMER,PANEL,GANG	
1G	0027294		SWITCH,BASE,NGR,SPST,ON-ON,EXT IND	
	0051047		ROCKER,NGR,HIGH IDLE,OFF-ON	

Models: L4RE
SWITCH PANEL
DASH
BSN: From CSN F40142581

Key	PartNumber	Qty	Description	Comment
-----	------------	-----	-------------	---------



Models: L4RE
SWITCH PANEL
DASH
BSN: From CSN F40142581

Key	PartNumber	Qty	Description	Comment
	0053609		ASSEMBLY,SWITCH PANEL, L4RE	
1	0053532		PLATE,SWITCH PANEL, L4RE	
1A	0051021		SWITCH,BASE,NGR,DPDT,ON-OFF-ON	
	0051039		ROCKER,NGR,HEAD/PARK LIGHTS	
1B	0027296		SWITCH,BASE,NGR,SPDT,MOM ON-OFF-MOM	
	0051035		ROCKER,NGR,RAMP	
1C	0027294		SWITCH,BASE,NGR,SPST,ON-ON,EXT IND	
	0027325		ROCKER,BUTTON,NGR,LIFT	
1D	0051027		SWITCH,BASE,NGR,DPST,ON-NONE-ON	
	0051041		ROCKER,NGR,HAZARD	
1E	0027294		SWITCH,BASE,NGR,SPST,ON-ON,EXT IND	
	0051046		ROCKER,NGR,DRIVERS LIGHT	
1F	0027933		SWITCH,SLIDE,DIMMER,PANEL,GANG	
1G	0027294		SWITCH,BASE,NGR,SPST,ON-ON,EXT IND	
	0051047		ROCKER,NGR,HIGH IDLE,OFF-ON	

Models: **L4RE
SWITCHES**

Key	PartNumber	Qty	Description	Comment
	0027316		ROCKER,BUTTON,NGR,HEATER,FRONT	
	0051021		SWITCH,BASE,NGR,DPDT,ON-OFF-ON	
	0027317		ROCKER,BUTTON,NGR,HEATER,REAR	
	0051021		SWITCH,BASE,NGR,DPDT,ON-OFF-ON	
	0027321		ROCKER,BUTTON,NGR,MIRROR,HEATED	NIGHT COLOR - GREEN
	0027297		SWITCH,BASE,NGR,SPST,IND,OFF-MOM ON	
	0027323		ROCKER,BUTTON,NGR,CHIME	
	0027294		SWITCH,BASE,NGR,SPST,ON-ON,EXT IND	
	0051030		ROCKER,NGR,ROOF VENT	
	0027294		SWITCH,BASE,NGR,SPST,ON-ON,EXT IND	
	0027325		ROCKER,BUTTON,NGR,LIFT	
	0027294		SWITCH,BASE,NGR,SPST,ON-ON,EXT IND	
	0027327		ROCKER,BUTTON,NGR,BRAKE OVERRIDE	
	0051023		SWITCH,BASE,NGR,SPST,NONE-ON-MOM OFF	
	0051031		ROCKER,NGR,SPKR,INT-EXT	
	0051024		SWITCH,BASE,NGR,SPKR,ON-ON-ON	
	0051032		ROCKER,NGR,KNEEL	
	0027296		SWITCH,BASE,NGR,SPDT,MOM ON-OFF-MOM	
	0051033		ROCKER,NGR,TOUCH BAR,BYPASS	
	0027297		SWITCH,BASE,NGR,SPST,IND,OFF-MOM ON	
	0051034		ROCKER,NGR,OVERRIDE,STOP ENG	
	0051025		HARNESS,WRG,FRAME,150 WB, C4RE	
	0051035		ROCKER,NGR,RAMP	

Models: **L4RE
SWITCHES**

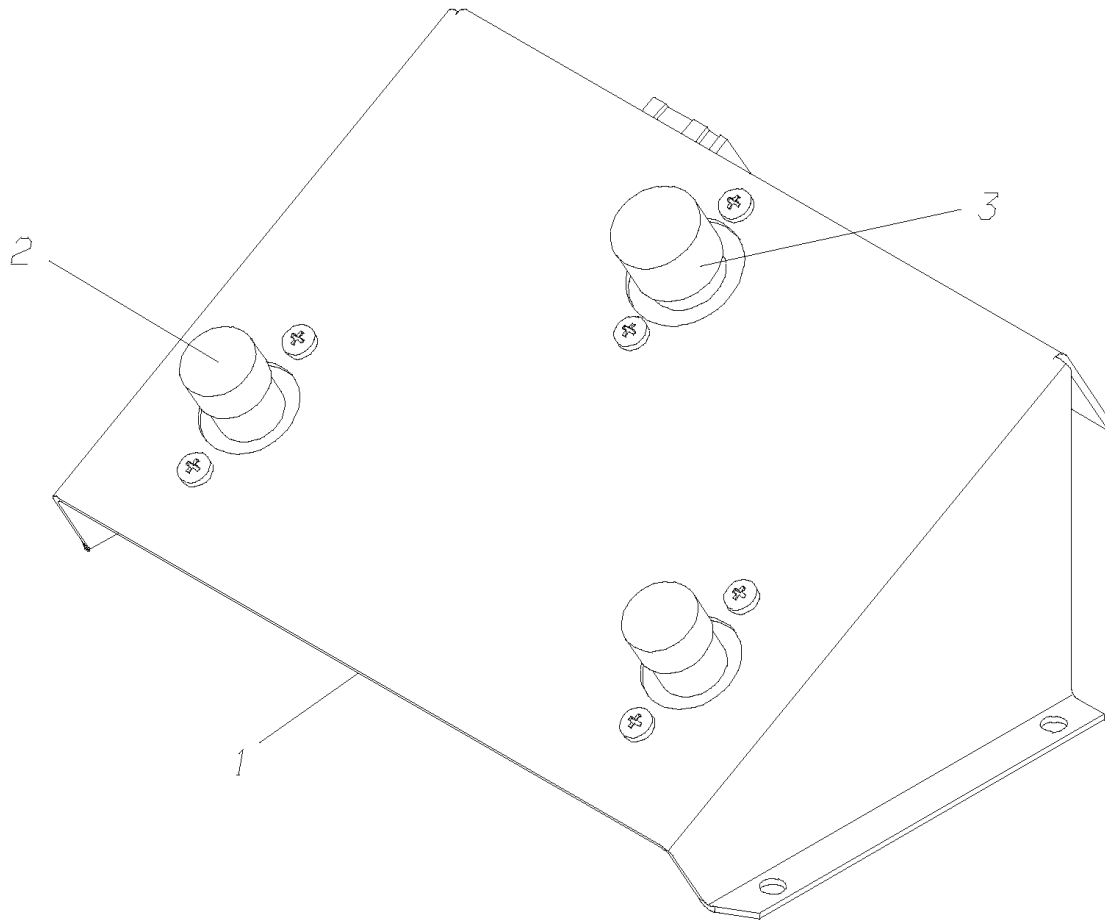
Key	PartNumber	Qty	Description	Comment
	0027296		SWITCH,BASE,NGR,SPDT,MOM ON-OFF-MOM	
	0051036		ROCKER,NGR,DOME,NORMAL,ALL	
	0051026		HARNES,WRG,FRAME,217 WB, C4RE	
	0051037		ROCKER,NGR,AISLE LTS	
	0051027		SWITCH,BASE,NGR,DPST,ON-NONE-ON	
	0051038		ROCKER,NGR,ENG BRK	
	0027287		SWITCH,BASE,NGR,SPST,IND,OFF-ON	
	0051039		ROCKER,NGR,HEAD/PARK LIGHTS	
	0051028		HARNES,WRG,FRAME,273 WB, C4RE	

Models: **L4RE
SWITCHES**

Key	PartNumber	Qty	Description	Comment
	0051040		ROCKER,NGR,MIRROR HEATED	NIGHT COLOR-RED
	0027297		SWITCH,BASE,NGR,SPST,IND,OFF-MOM ON	
	0051041		ROCKER,NGR,HAZARD	
	0051029		PANEL ASSY,SUPT,TANK,FRESH WATER,45H4RE	
	0051042		ROCKER,NGR,HYDRONIC HEAT	
	0027294		SWITCH,BASE,NGR,SPST,ON-ON,EXT IND	
	0051043		ROCKER,NGR,CRUISE CONTROL	
	0027287		SWITCH,BASE,NGR,SPST,IND,OFF-ON	
	0051044		ROCKER,NGR,CRUISE RESUME/ACCEL	
	0027297		SWITCH,BASE,NGR,SPST,IND,OFF-MOM ON	
	0051045		ROCKER,NGR,CRUISE SET/COAST	
	0027297		SWITCH,BASE,NGR,SPST,IND,OFF-MOM ON	
	0051046		ROCKER,NGR,DRIVERS LIGHT	
	0027294		SWITCH,BASE,NGR,SPST,ON-ON,EXT IND	
	0051047		ROCKER,NGR,HIGH IDLE,OFF-ON	
	0027294		SWITCH,BASE,NGR,SPST,ON-ON,EXT IND	
	0051048		ROCKER,NGR,DOOR MASTER	
	0027294		SWITCH,BASE,NGR,SPST,ON-ON,EXT IND	
	0051049		ROCKER,NGR,TRANS RETARDER	
	0027294		SWITCH,BASE,NGR,SPST,ON-ON,EXT IND	

Models: L4RE
SWITCHES
DIRECTIONAL LIGHT, FOOT CONTROLLED
With: FEATURE 30177-01

Key	PartNumber	Qty	Description	Comment
-----	------------	-----	-------------	---------

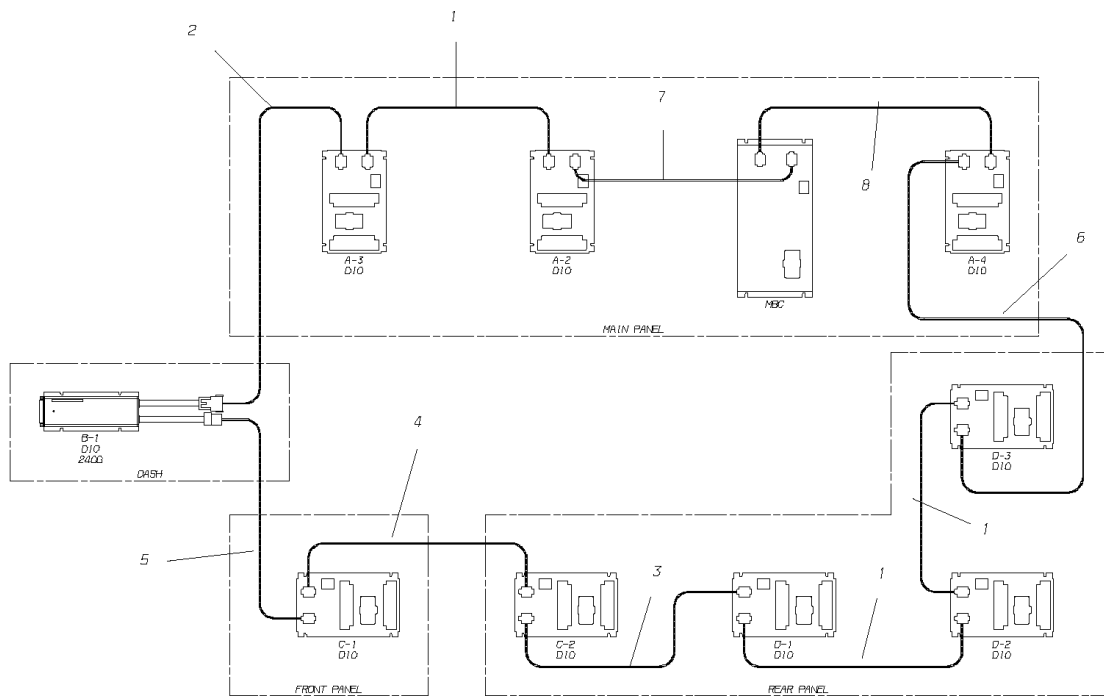


Models: L4RE
SWITCHES
DIRECTIONAL LIGHT, FOOT CONTROLLED
With: FEATURE 30177-01

Key	PartNumber	Qty	Description	Comment
1	0043582		BRACKET,MTG,FOOT CONTROL DIRECTIONAL	
2	0043612		SWITCH,FOOT,OPERATED,PRESTOLITE,SW	
	0050693		HARNESS,WRG,DIR,FOOT CONTROL,MULTIPLEX	
	2000826		SCREW,MACH,1/4X20X3/4,PH1,TRUSSHD,	
	0659979		NUT,HEX,FLANGE SER,1/4-20,BLACK ZINC	
3	0043612		SWITCH,FOOT,OPERATED,PRESTOLITE,SW	<i>WITH FEATURE 30260-11, -12, -13</i>
	2000826		SCREW,MACH,1/4X20X3/4,PH1,TRUSSHD,	<i>WITH FEATURE 30260-11, -12, -13</i>
	0659979		NUT,HEX,FLANGE SER,1/4-20,BLACK ZINC	<i>WITH FEATURE 30260-11, -12, -13</i>
NI	1876572		PLUG,BUTTON,BLACK,DP-1093,HEYCO 2723	<i>WITHOUT FEATURE 30260-11, -12, -13; 30177-01</i>

Models: **L4RE**
WIRING DIAGRAM, DATALOOPS

Key	PartNumber	Qty	Description	Comment
-----	------------	-----	-------------	---------



**Models: L4RE
WIRING DIAGRAM, DATA LOOPS**

Key	PartNumber	Qty	Description	Comment
1	0049246		HARNESS,WRG,DATA LOOP,TYPE A 16.00, L4RE	
2	0049247		HARNESS,WRG,DATA LOOP,TYPE A 100.00, L4RE	
3	0049248		HARNESS,WRG,DATA LOOP,TYPE A 48.00, L4RE	
4	0049249		HARNESS,WRG,DATA LOOP,TYPE A 300.00, L4RE	
5	0049250		HARNESS,WRG,DATA LOOP,TYPE A 330.00, L4RE	
6	0049251		HARNESS,WRG,DATA LOOP,TYPE A 720.00, L4RE	
7	0049252		HARNESS,WRG,DATA LOOP,TYPE B 16.00, L4RE	
8	0049253		HARNESS,WRG,DATA LOOP,TYPE B 36.00, L4RE	