

Chassis

110 Instruments

PANEL

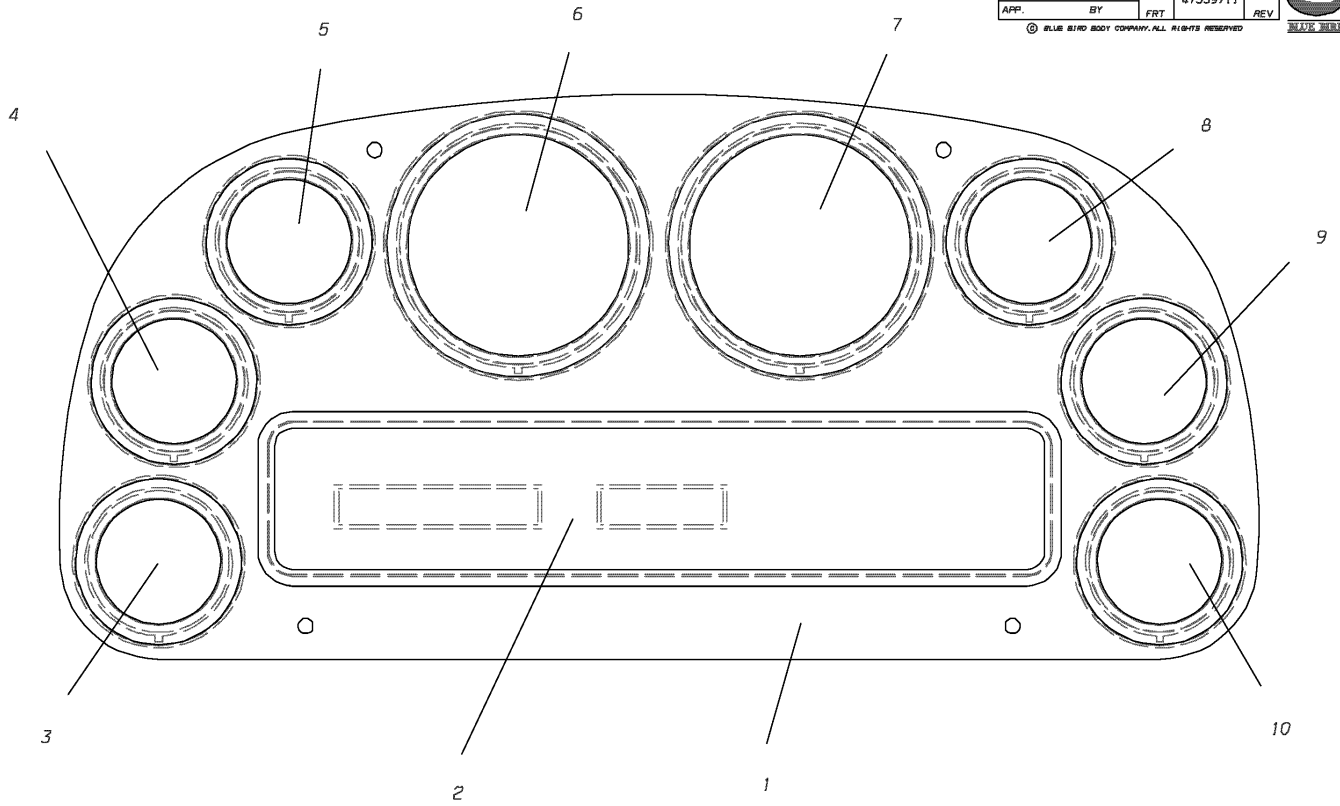

<i>To CSN 1/31/02</i>	<i>1</i>
<i>With: FEATURE 40280-04 From CSN 40110125 5-20-02 To CSN 40143014 8-17-03</i>	<i>2</i>
B5.9G	
<i>From CSN 40143015 8-18-03 To 11-28-04</i>	<i>3</i>
ISB02	
<i>From CSN 40143015 8-18-03 To 11-28-04</i>	<i>4</i>
<i>From CSN 40163435 4-30-04</i>	<i>5</i>

Models: **L4RE
PANEL
To CSN 1/31/02**

Key	PartNumber	Qty	Description	Comment
-----	------------	-----	-------------	---------

DR. 4-29-02	BY MC	47559711	REV.
APP.	BY	FRT	REV.

© BLUE BIRD BODY COMPANY. ALL RIGHTS RESERVED

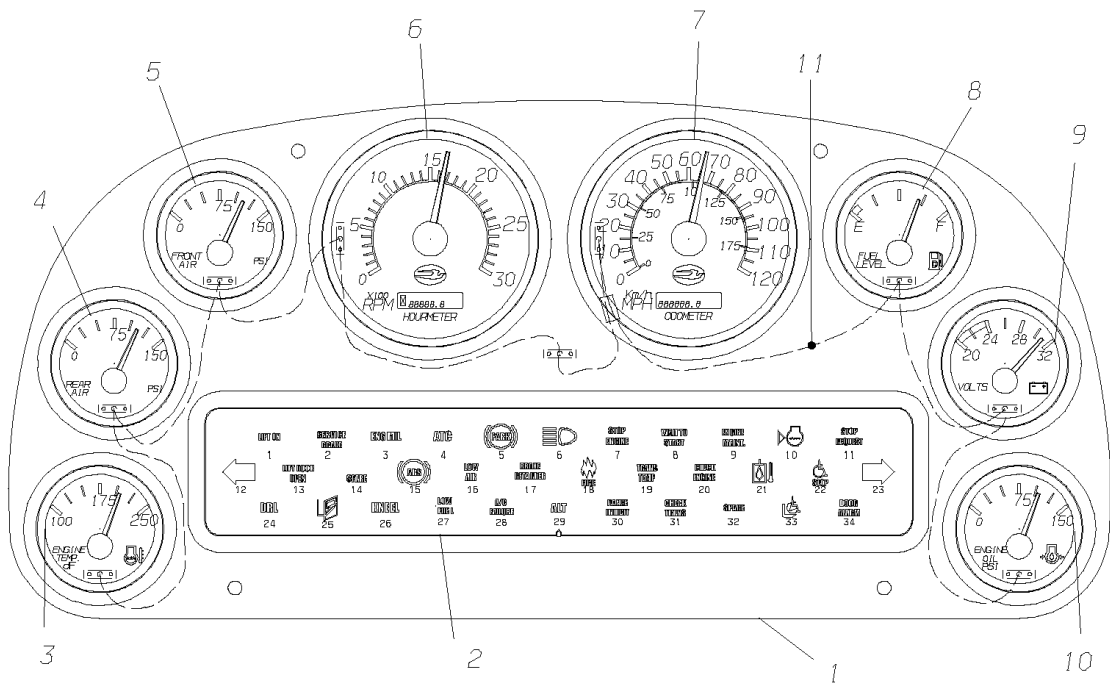


**Models: L4RE
PANEL
To CSN 1/31/02**

Key	PartNumber	Qty	Description	Comment
1	4759545		PANEL INSTRUMENT, L4RE	
2	0036905		INSTRUMENTATION,TELLTALE BAR,C4RE	
3	0036900		GAUGE,COOLANT TEMP,DATA LINK,PI	
4	0036897		GAUGE,AIR,REAR,DATA LINK,PI	
5	0036896		GAUGE,AIR,FRONT,DATA LINK,PI	
6	0036894		GAUGE,TACHOMETER,W/HOURMETER,DATA	
7	0036893		GAUGE,SPEEDOMETER,W/ODOMETER,DATA	
8	0036898		GAUGE,FUEL,DATA LINK,PI	
9	0036895		GAUGE,VOLTMETER,DATA LINK,PI	
10	0036899		GAUGE,OIL PRESSURE,DATA LINK,PI	

Models: L4RE
PANEL
With: FEATURE 40280-04
BSN: From CSN 40110125 5-20-02
 To CSN 40143014 8-17-03

Key	PartNumber	Qty	Description	Comment
-----	------------	-----	-------------	---------

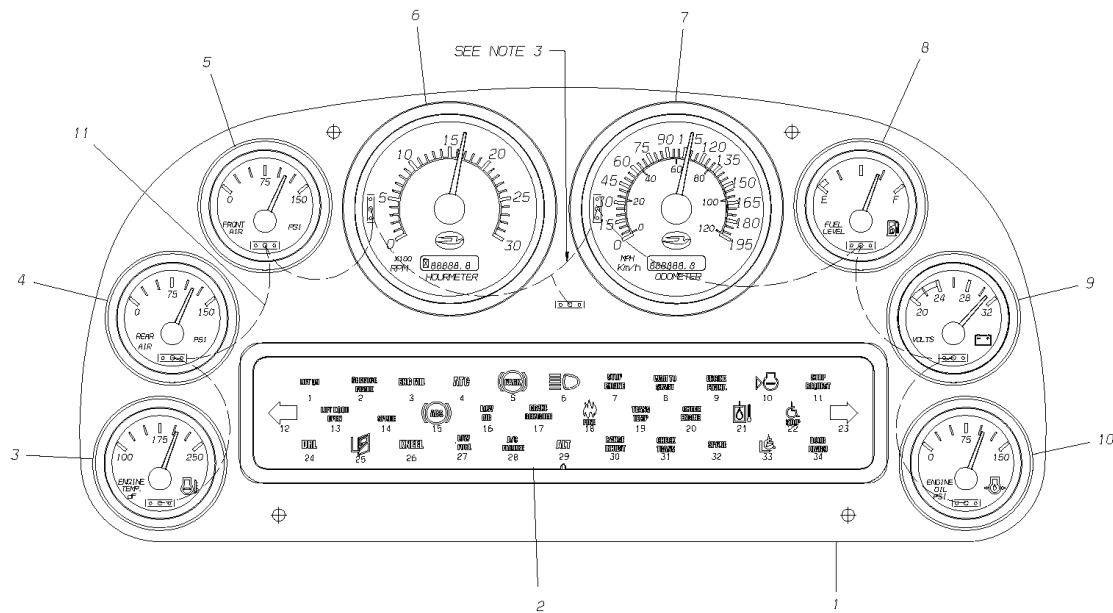


Models: L4RE
PANEL
With: FEATURE 40280-04
BSN: From CSN 40110125 5-20-02
 To CSN 40143014 8-17-03

Key	PartNumber	Qty	Description	Comment
	0051868		PANEL ASSY,INSTRUMENT, L4RE	
1	0051867		PANEL,INSTRUMENT, L4RE	PANEL ONLY
2	0036905		INSTRUMENTATION,TELLTALE BAR,C4RE	
3	0036900		GAUGE,COOLANT TEMP,DATA LINK,PI	
4	0036897		GAUGE,AIR,REAR,DATA LINK,PI	
5	0036896		GAUGE,AIR,FRONT,DATA LINK,PI	
6	0036894		GAUGE,TACHOMETER,W/HOURMETER,DATA	
7	0055307		GAUGE,SPEEDO,W/ODOMETER,BLACK BEZEL	
8	0036898		GAUGE,FUEL,DATA LINK,PI	
9	0049160		GUAGE,VOLTMETER,DATA LINK,PI,24V	
10	0036899		GAUGE,OIL PRESSURE,DATA LINK,PI	
11	0042383		HARNES,WRG,DATA LINK DAISY CHAIN,DASH,	
12	0042122		RING,MTG,PI,2.375	
13	0042125		RING,MTG,PI,3.750	

Models: L4RE
PANEL
B5.9G
BSN: From CSN 40143015 8-18-03
 To 11-28-04

Key	PartNumber	Qty	Description	Comment
-----	------------	-----	-------------	---------

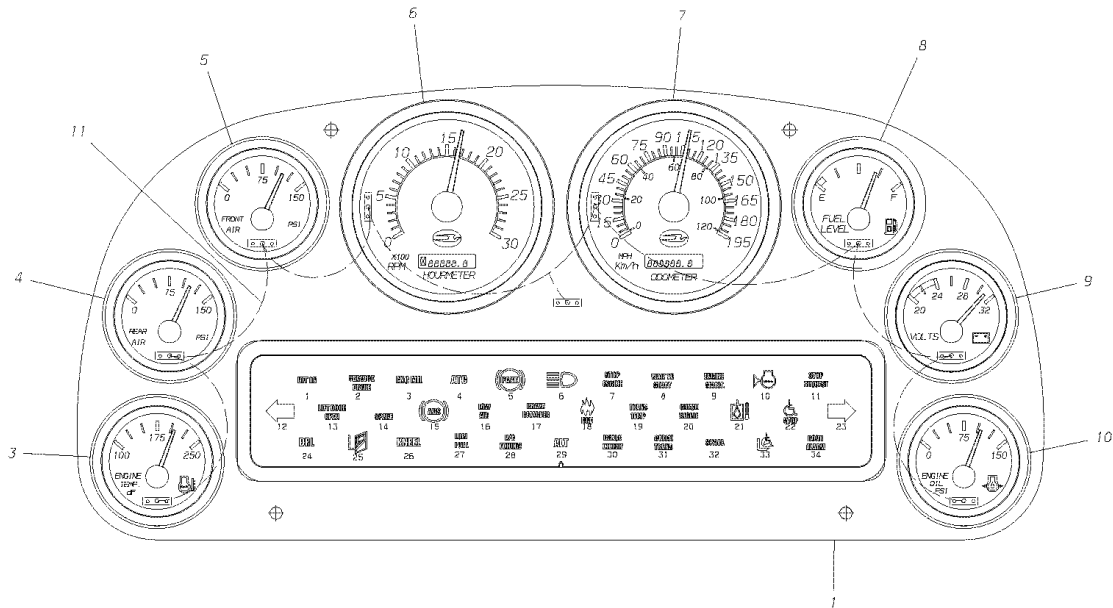


Models: L4RE
PANEL
B5.9G
BSN: From CSN 40143015 8-18-03
 To 11-28-04

Key	PartNumber	Qty	Description	Comment
	0063818		PANEL,ASSY,INSTRUMENT,B5.9G AMERICAN,	<i>INCLUDES THE FOLLOWING</i>
	0063996		PANEL,ASSY,INSTRUMENT,B5.9G CANADIAN,	<i>INCLUDES THE FOLLOWING</i>
1	0051867		PANEL,INSTRUMENT, L4RE	
2	0036905		INSTRUMENTATION,TELLTALE BAR,C4RE	
3	0036900		GAUGE,COOLANT TEMP,DATA LINK,PI	
4	0036897		GAUGE,AIR,REAR,DATA LINK,PI	
5	0036896		GAUGE,AIR,FRONT,DATA LINK,PI	
6	0036894		GAUGE,TACHOMETER,W/HOURMETER,DATA	
7	0055307		GAUGE,SPEEDO,W/ODOMETER,BLACK BEZEL	
7	0055309		GAUGE,SPEEDO,W/ODOMETER,BLACK	
8	0036898		GAUGE,FUEL,DATA LINK,PI	
9	0049160		GUAGE,VOLTMETER,DATA LINK,PI,24V	
10	0036899		GAUGE,OIL PRESSURE,DATA LINK,PI	
11	0042383		HARNES,WRG,DATA LINK DAISY CHAIN,DASH,	
11	0042122		RING,MTG,PI,2.375	
11	0042125		RING,MTG,PI,3.750	

Models: L4RE
PANEL
ISB02
BSN: From CSN 40143015 8-18-03
To 11-28-04

Key	PartNumber	Qty	Description	Comment
-----	------------	-----	-------------	---------

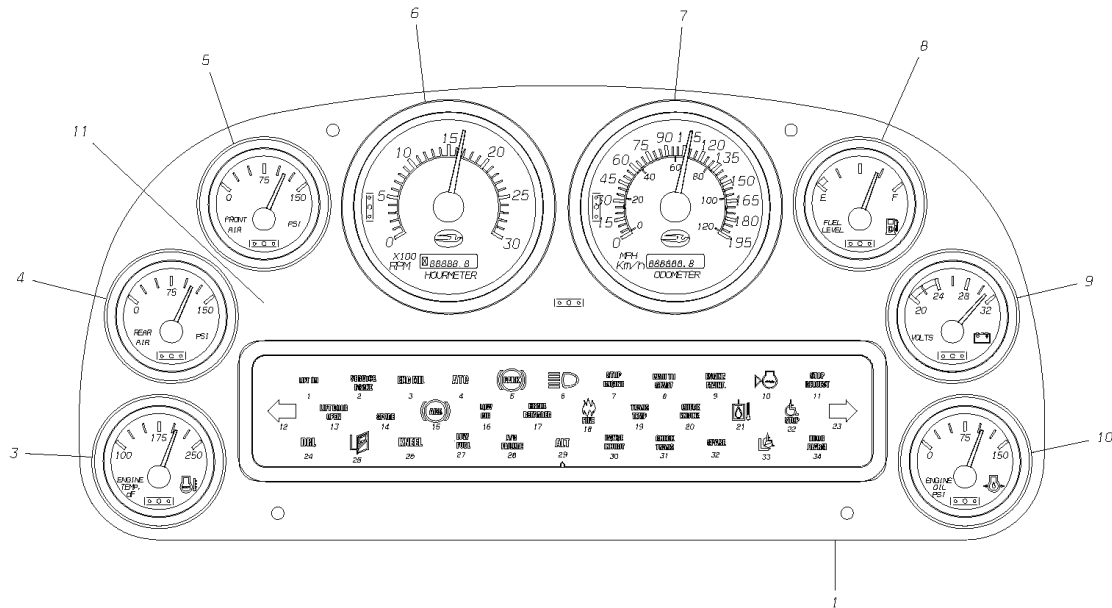


Models: L4RE
PANEL
ISB02
BSN: From CSN 40143015 8-18-03
To 11-28-04

Key	PartNumber	Qty	Description	Comment
	0063990		PANEL,ASSY,INSTRUMENT,ISBO2 AMERICAN,	<i>INCLUDES THE FOLLOWING</i>
1	0051867		PANEL,INSTRUMENT, L4RE	
2	0036905		INSTRUMENTATION,TELLTALE BAR,C4RE	
3	0036900		GAUGE,COOLANT TEMP,DATA LINK,PI	
4	0036897		GAUGE,AIR,REAR,DATA LINK,PI	
5	0036896		GAUGE,AIR,FRONT,DATA LINK,PI	
6	0036894		GAUGE,TACHOMETER,W/HOURMETER,DATA	
7	0055307		GAUGE,SPEEDO,W/ODOMETER,BLACK BEZEL	
8	0036898		GAUGE,FUEL,DATA LINK,PI	
9	0049160		GUAGE,VOLTMETER,DATA LINK,PI,24V	
10	0061913		GAUGE,ASSY,OIL PRESS,DATA LK,PI,PRX	
11	0042383		HARNES,WRG,DATA LINK DAISY CHAIN,DASH,	
11	0042122		RING,MTG,PI,2.375	
11	0042125		RING,MTG,PI,3.750	

Models: L4RE
PANEL
ISB02
BSN: From CSN 40163435 4-30-04

Key	PartNumber	Qty	Description	Comment
-----	------------	-----	-------------	---------



Models: L4RE
PANEL
ISB02
BSN: From CSN 40163435 4-30-04

Key	PartNumber	Qty	Description	Comment
	0055549		PANEL,ASSY,INSTRUMENT,ISBO2 CANADIAN,	INCLUDES THE FOLLOWING
	0083882		PANEL,ASSY,INSTRUMENT,ISBO2,AMERICAN,	INCLUDES THE FOLLOWING
1	0051867		PANEL,INSTRUMENT, L4RE	
2	0036905		INSTRUMENTATION,TELLTALE BAR,C4RE	
3	0036900		GAUGE,COOLANT TEMP,DATA LINK,PI	
4	0036897		GAUGE,AIR,REAR,DATA LINK,PI	
5	0036896		GAUGE,AIR,FRONT,DATA LINK,PI	
6	0036894		GAUGE,TACHOMETER,W/HOURMETER,DATA	
7	0055309		GAUGE,SPEEDO,W/ODOMETER,BLACK	
7	0036893		GAUGE,SPEEDOMETER,W/ODOMETER,DATA	
8	0036898		GAUGE,FUEL,DATA LINK,PI	
9	0049160		GUAGE,VOLTMETER,DATA LINK,PI,24V	
10	0061913		GAUGE,ASSY,OIL PRESS,DATA LK,PI,PRX	
11	0042383		HARNES,WRG,DATA LINK DAISY CHAIN,DASH,	
12	0042122	6	RING,MTG,PI,2.375	
13	0042125	2	RING,MTG,PI,3.750	