

**Chassis**

**130 Suspension**

AIR

FRONT

IFS BREAKDOWN

\_\_\_\_\_ 1

IFS INSTALLATION DIAGRAM

\_\_\_\_\_ 2

FRONT AND REAR

LEVELING VALVE SYSTEM

\_\_\_\_\_ 3

REAR

\_\_\_\_\_ 4

\_\_\_\_\_ 5

AIR PIPING DIAGRAM

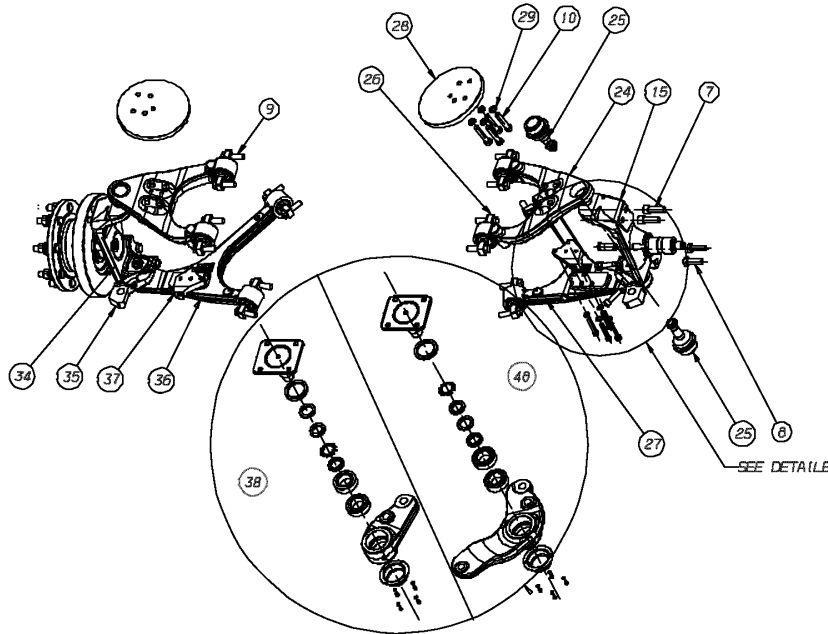
\_\_\_\_\_ 6

LEVELING VALVE SYSTEM

\_\_\_\_\_ 7

Models: **L4RE  
AIR  
FRONT  
IFS BREAKDOWN**

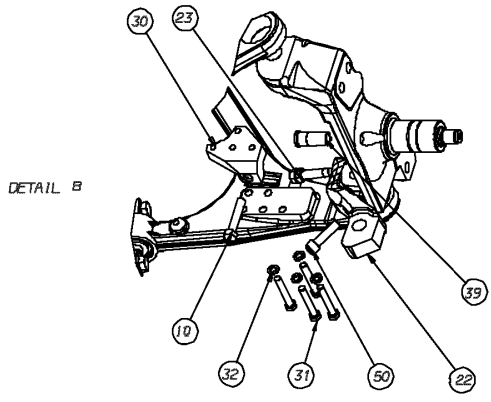
Key	PartNumber	Qty	Description	Comment
-----	------------	-----	-------------	---------



DR. 5-09-03	BY MR	4755828	REV
APP.	BY TL	FRT	



© BLUE BIRD BODY COMPANY. ALL RIGHTS RESERVED



**Models:** L4RE  
AIR  
FRONT  
IFS BREAKDOWN


Key	PartNumber	Qty	Description	Comment
7	0065291	4	SCREW, SOCKET HD, STEERING KNUCKLE	
8	0065292		CAPSCREW, HEX HD, STEERING KNUCKLE	
9	0065293		CAPSCREW, HEX HD, CONTROL ARM	
10	0065294		CAPSCREW, HEX HD, AIRBAG SUPPORT BRACKET	
15	0065308		STEERING KNUCKLE, LH, IFS	LH
22	0065296		LEVER, STEERING, LH	LH
23	0065308	2	STEERING KNUCKLE, LH, IFS	
24	0063299	2	ARM ASSY, CONTROL, UPPER, RH AND LH, IFS	
25	0063300	4	JOINT, BALL JOINT, 50MM, IFS	
NI	0089760	4	TOOL, BALL JOINT REMOVAL, L4RE	
26	0063301	8	BUSHING, BAR, PIN, IFS	
27	0063302		ARM ASSY, CONTROL, LOWER, LH, IFS	LH
28	0063303		BRACKET, SUPPORT, AIRBAG, IFS	
29	0065299		WASHER, SUPPORT, AIR SPRING	
30	0063305		BRACKET, SHOCK ABSORBER, LH, IFS	LH
31	0065300	8	CAPSCREW, HEX HD, SHOCK SUPPORT	
32	0065301	8	WASHER, SUPPORT, SHOCK ABSORBER	
34	0065309		STEERING KNUCKLE, RH, IFS	RH
35	0065302		LEVER, STEERING, RH	RH
36	0063038		CROSSBAR ASSY, SEAT BELT, FRAME, 45.00 SEAT	RH
37	0063310		BRACKET, SHOCK ABSORBER, RH, IFS	RH
38	4758925		RELAY LEVER & HOUSING ASSY RH	
39	0066154	2	BUSHING, SENSOR, ABS, IFS	

**Models:** L4RE  
AIR  
FRONT  
IFS BREAKDOWN

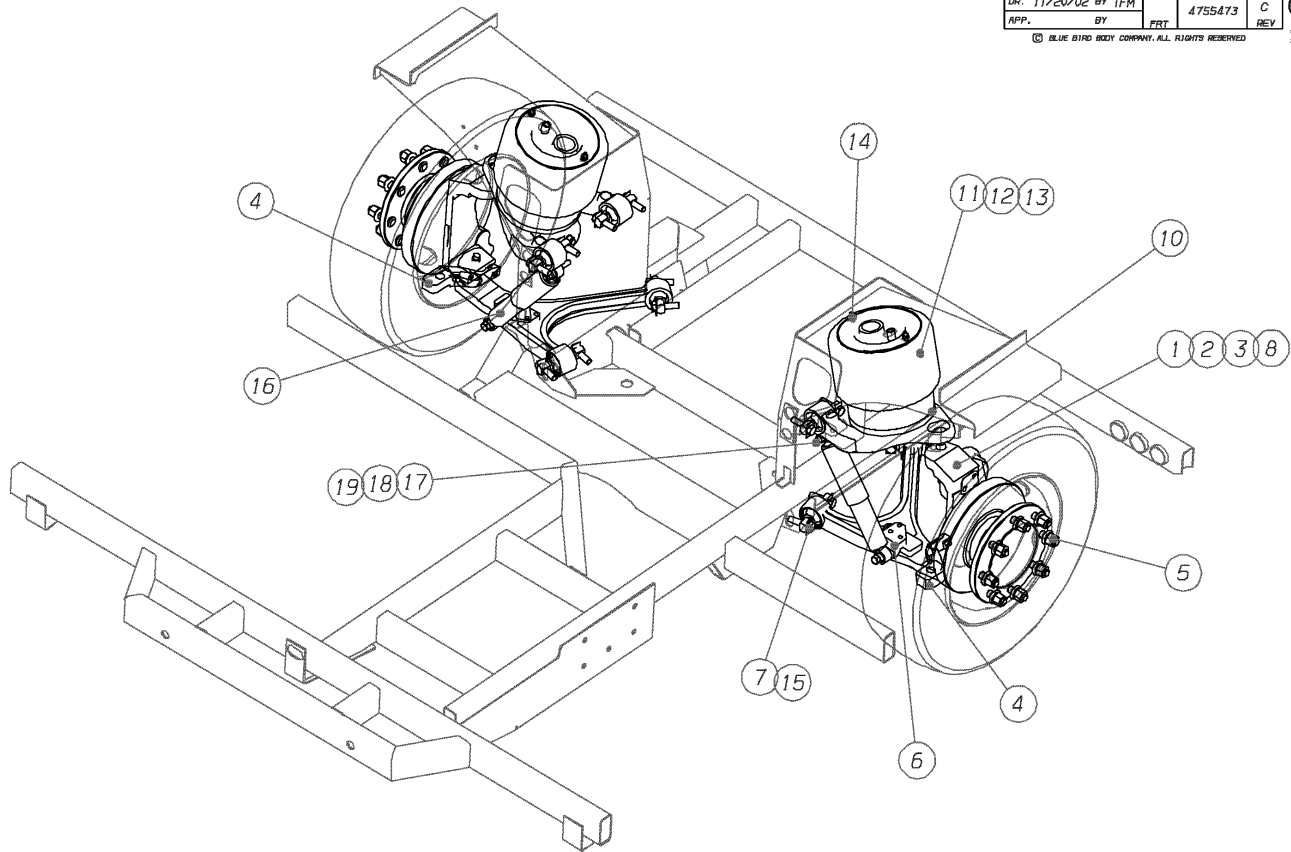
Key	PartNumber	Qty	Description	Comment
48	4758924		RELAY LEVER & HOUSING ASSY LH	
50	0065303	2	SCREW, SOCKET HD, RELAY ARM	
NI	0093758		CAPSCREW, HEX HD, IDLER ARM & STEERING	
NI	0093759		COVER, RELAY, STEERING, IDLER ARM, L4	
NI	0093760		WASHER, RELAY, STEERING, IDLER ARM, L4	

Models: L4RE  
AIR  
FRONT  
IFS INSTALLATION DIAGRAM

Key	PartNumber	Qty	Description	Comment
-----	------------	-----	-------------	---------

DR. 11/20/02 BY TFM	4755473	C	
APP. BY PRT	REV		

© BLUE BIRD BODY COMPANY. ALL RIGHTS RESERVED



**Models: L4RE  
AIR  
FRONT  
IFS INSTALLATION DIAGRAM**

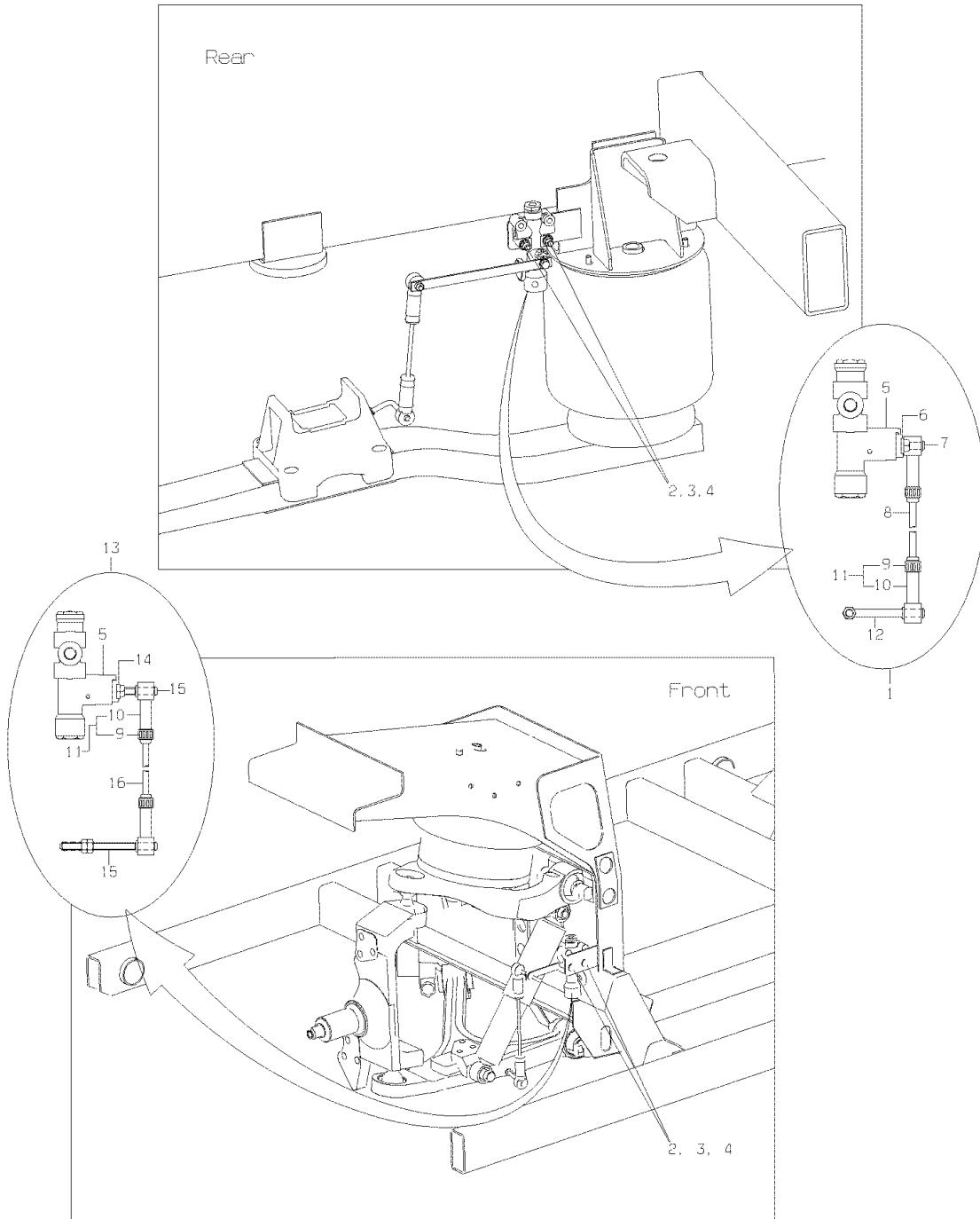
Key	PartNumber	Qty	Description	Comment
1	0075941		SUSPENSION ASSY,IFS,2004, L4RE	<i>CONSISTS OF THE FOLLOWING</i>
2		2	DISC BRAKE ASSEMBLY, MERITOR	
3		2	BRAKE ACTUATORS TYPE 20	
4		2	STEERING ARMS LH AND RH	
5	0072937	16	NUT,LUG,TWO PIECE,M22X1.5 GH THREADS	
6	0063305	2	BRACKET,SHOCK ABSORBER,LH,IFS	
6	0063310	2	BRACKET,SHOCK ABSORBER,RH,IFS	
7		16	SET SCREW M18 X 2.5 X 70 GRADE 10.9	
8		2	POLE WHEEL	
9	4758924	2	RELAY LEVER & HOUSING ASSY LH	
9	4758925	2	RELAY LEVER & HOUSING ASSY RH	
10	0063303	2	BRACKET,SUPPORT,AIRBAG,IFS	
	0063299		ARM ASSY,CONTROL,UPPER,RH AND LH,IFS	
	0063308		ARM ASSY,CONTROL,LOWER,RH,IFS	
	0063302		ARM ASSY,CONTROL,LOWER,LH,IFS	
	0063300		JOINT,BALL JOINT,50MM,IFS	
	0063301		BUSHING,BAR,PIN,IFS	
11	4760248	2	AIR SPRING ASSY,SUSPENSION,FRONT,L4RE"	
12	1310614	2	CAPSCREW,HXHD,M12-1.75X50,CL10.9,	
13	0990655	2	LOCKWASHER,SPLIT RING, 1/2 ,MED,YEL ZN	
14	4752564	4	NUT FLANGED HEX HD M10X1_5	
15	4759328	16	LOCKWASHER IFS	
16	0085458	2	SHOCK ABSORBER,FRONT,KONI 90-2685, L4RE	

**Models: L4RE  
AIR  
FRONT  
IFS INSTALLATION DIAGRAM**

Key	PartNumber	Qty	Description	Comment
17	0008068	2	CAPSCREW,HEX HD,3/4-10X3,GR8,YELZNDICH	
18	1422195	AR	SEALANT,LOCTITE,THREADLOCKER 242, BLUE	
19	0607036	6	WASHER,FLAT,13/16 X 1 3/8 X 7/64 ZP,HRD	
NI	0963322	2	CAPSCREW,HEX HD,3/4-10 X3 1/2,GR8,	
NI	0933879	2	NUT,HEX HD,3/4-10,PRVLG TORQ,GR8,CAD	

**Models:** L4RE  
AIR  
FRONT AND REAR  
LEVELING VALVE SYSTEM

Key	PartNumber	Qty	Description	Comment
-----	------------	-----	-------------	---------






**Models: L4RE  
AIR  
FRONT AND REAR  
LEVELING VALVE SYSTEM**

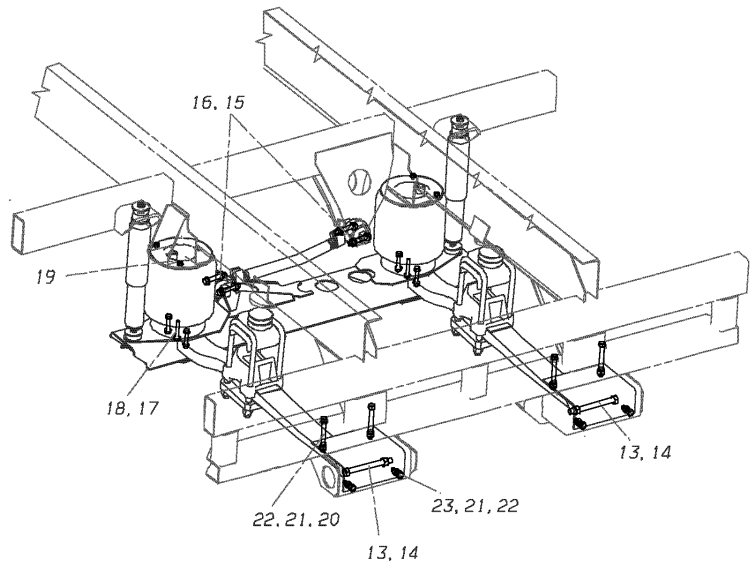
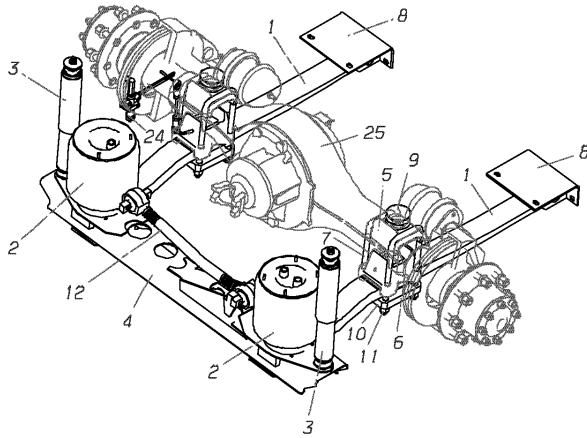
Key	PartNumber	Qty	Description	Comment
1	4760336		VALVE LEVELLING KIT REAR	
2	1032309		CAPSCREW,HEX HD,5/16-18X 2,GR 5,YEL ZN	
3	1465954		NUT,HEX HD,5/16-18,LK,NYLON INSERT,YEL	
4	2001048		WASHER,FLAT,11/32 X 11/16 X 1/16,YEL	
5	0071946		VALVE,LEVELING,SUSPENSION FRT & RR,LMB	
6			LEVER, LEVELING VALVE, REAR	
7			CON-ROD END ASSEMBLY, REAR LEVELING	
8			CON-ROD, REAR LEVELING VALVE	
9			HOSE CLIP	
10			ROD END	
11	0104336		KIT,SERVICE,BB LEVELING VALVE	
12			LOWER LINK ASSEMBLY	
13	4760335		KIT,VALVE,LEVELING,FRONT"	
14			LEVER, LEVELING VALVE, FRONT	
15			CON ROD BOLT, FRONT LEVELING VALVE	
16			CON-ROD, FRONT, LEVELING VALVE	

**Models:** L4RE  
AIR  
REAR

Key	PartNumber	Qty	Description	Comment
-----	------------	-----	-------------	---------

DR. 04/11/02	BY TFM			
APP.	BY	FRT	4753345	B REV.

© BLUE BIRD BODY COMPANY. ALL RIGHTS RESERVED. 



**Models:** L4RE  
AIR  
REAR


Key	PartNumber	Qty	Description	Comment
1	4752545	2	SPRING TAPER LEAF	
2	4752556	2	AIR SPRING ASSEMBLY 10 INCH	
3	0086697	2	SHOCK ABSORBER,REAR,KONI 90-2530, L4RE	
4	4759084		CROSSMEMBER ASSY REAR SUSPN	
5	4755805	2	SADDLE AXLE MACHINED	
6		2	SEAT AXLE	WELDED TO AXLE
7	4752551	4	BOLT U-TYPE REAR AXLE	
8	4758545	2	REAR SPRING MTG BRKT ASSY	
9	4755967	2	BUMP STOP	
10	4752548	2	PLATE CLAMP REAR AXLE	
11	4752552	8	NUT U BOLT M22X1.5 NYLOC GR10	
12	4752566		ROD ASSEMBLY PANHARD	
13	4752553	2	BOLT HEX HD FRONT SP EYE M20X2.5 L200	
14	4752554	2	NUT NYLOC FRONT SP EYE BOLT M20X2.5 GR10	
15	4759871	4	BOLT FLANGED HEX HD M16X2 L80	
16	4752570	4	NUT FLANGED HEX HD M16X2	
17	4752557	6	BOLT FLANGED HEX HD M12X1_75 L80	
18	4752558	4	NUT, FLANGED, HEX HD, M12 X 1-75	
19	4752564	4	NUT FLANGED HEX HD M10X1_5	
20	1946037	4	CAPSCREW,HEX HD,5/8-11 X 5 1/4,GR8,YEL	
21	0939827	8	NUT,HEX HD,5/8-11,GR 8,LOCK,CADMIUM WAX	
22	1082213	12	WASHER,FLAT,41/64 X 61/64 X 1/16,YEL	
23	1107879	4	CAPSCREW,HEX HD,5/8-11 X1 3/4,GR8,	

**Models:** L4RE  
AIR  
REAR

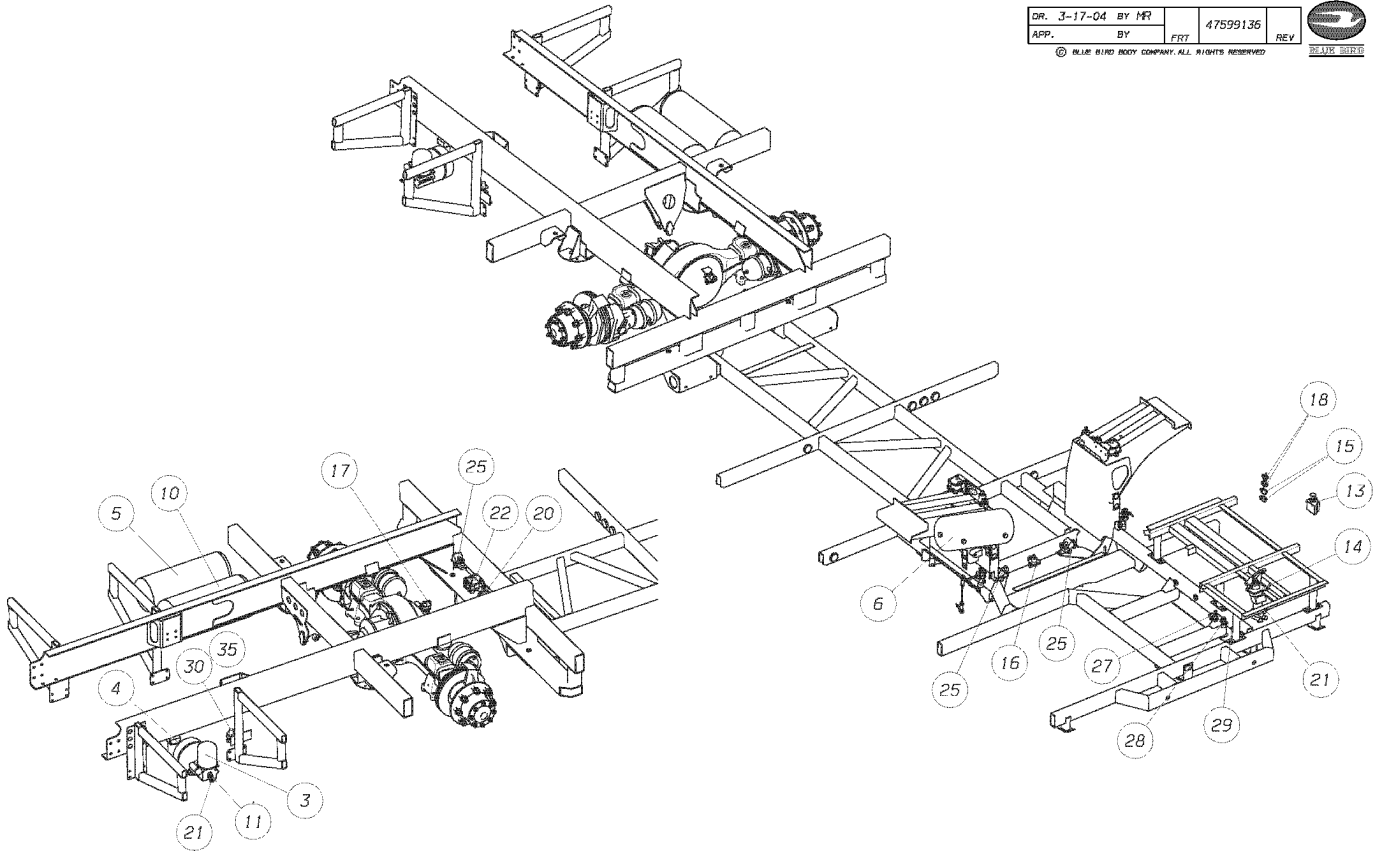
Key	PartNumber	Qty	Description	Comment
24	4760336		VALVE LEVELLING KIT REAR	
25			REAR DRIVE AXLE	REFERENCE ONLY
NI	0072937	16	NUT,LUG,TWO PIECE,M22X1.5 GH THREADS	

**Models:** L4RE  
AIR  
REAR

Key	PartNumber	Qty	Description	Comment
-----	------------	-----	-------------	---------

DR. 3-17-04	BY MR	47599135	REV	
APP.	BY	FTT	REV	

© BLUE BIRD BODY COMPANY. ALL RIGHTS RESERVED.

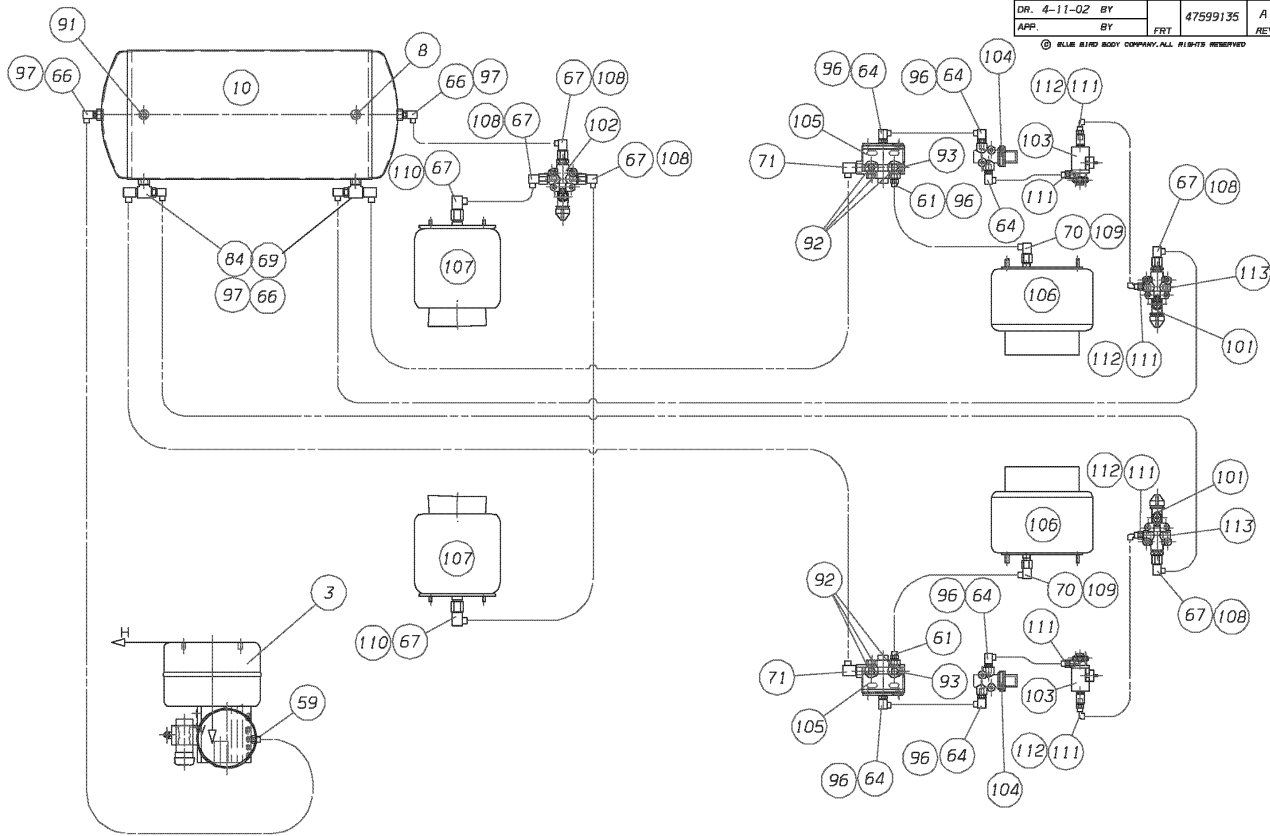


Models: **L4RE  
AIR  
REAR**

Key	PartNumber	Qty	Description	Comment
3	4755937		ADIS AIR DRYER MODULE	
4	6032239		TEE,UNION,0.50 FPT	
5	4755934		TANK AIR DUEL 9.50 OD	
6	4755940		TANK AIR FRONT SERVICE	
10	4755933		TANK AIR DUEL 12.00 OD	
11	0001135		VALVE,SINGLE CHECK,1/2 PIPE,90 DEGREE	
13	4758519		DASH CONTROL VALVE	
14	4760134		VALVE,BRAKE,DUAL,WITH BVA	
15	4758521	2	STOP LIGHT SWITCH	
16	4758522		QUICK RELEASE VALVE QR 1/QR N	
17	1220128		VALVE,SPRING BRAKE,RELAY,QR-1C	
18	0982918	2	INDICATOR,LOW PRESSURE,LP-3,30 PSI	
20	0654426		VALVE,SPRING BRAKE	
21	4758527	2	TIRE VALVE	
22	1995851		VALVE,RELAY,R12 W/DOUBLE CHECK,ABS	
25	0014460		MODULATOR,ABS,AIR BRAKE,BENDIX M-30	
27	4760130		VALVE DOUBLE CHECK DC4	
28	4760131		VALVE PRESSUR REDUCING,KNEELING VALVES,	
29	4760132		VALVE SOLENOID AIR	
30	4760133		VALVE PRESSURE PROTECTION	
35			RETARDER SOLENOID	ALLISON SUPPLIED

Models: L4RE  
AIR  
REAR  
AIR PIPING DIAGRAM

Key	PartNumber	Qty	Description	Comment
-----	------------	-----	-------------	---------



**Models:** L4RE  
AIR  
REAR  
AIR PIPING DIAGRAM

Key	PartNumber	Qty	Description	Comment
3	4755937		ADIS AIR DRYER MODULE	
8	4758514	3	DRAIN VALVE	
10	4755933		TANK AIR DUEL 12.00 OD	
45	1010065	2	TEE,STREET,3/8 PIPE 3750 X 6	
59	0009924	24	CONNECTOR,MALE,1868X6-Z,.25MPT X .38T"	
61	0009921	6	CONNECTOR,MALE,1868X8-Z,.38MPT X .50T"	
64	0017219	6	ELBOW,90 DEG MALE SWIVEL,1869X4S	
66	0009914	16	ELBOW,90 DEG,MALE1869X6-Z,.25MPT X .38T"	
67	1725837	10	ELBOW,PRESTOMATIC,SWIV,3/8T X	
69	0009906	2	ELBOW,90 DEG,MALE1869X8-Z,.38MPT X .50T"	
70	1724707	4	ELBOW,PRESTOMATIC,SWIV,1/2T X	
71	4760362	3	FITTING CONN SW ELBOW 1/2OD X 1/2 NPT	
88	0009918	2	CONNECTOR,MALE,1868X6X6-Z,.38MPT X .38T"	
91	4759631	2	FITTING PLUG SQ.HD.4	
92	4760373	11	FITTING PLUG SQUARE HD 6	
93	4760374	5	FITTING PLUG SQUARE HD 8	
96	2250363	10	BUSHING,HEX,BRASS,1/4 X 1/8	
97	2027134	24	BUSHING,PIPE,3/8 X 1/4,BRASS	
10	4760335	2	KIT,VALVE,LEVELING,FRONT"	
10	4760336		VALVE LEVELLING KIT REAR	
10	4758714	2	ELECTRO PNEUMATIC VALVE EDP26AA	
10	4758715	2	PRESSURE PROTECTION VALVE	
10	4758716	2	RELAY VALVE	



**Models:** L4RE  
 AIR  
 REAR  
 AIR PIPING DIAGRAM


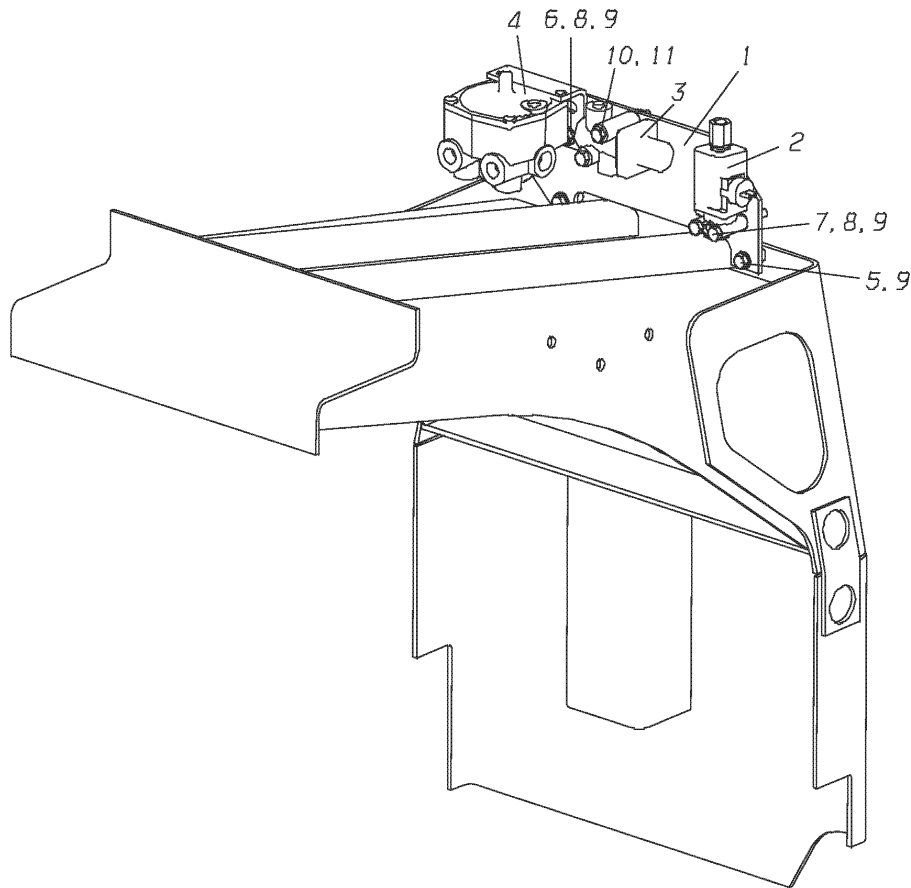
Key	PartNumber	Qty	Description	Comment
10	4760248		AIR SPRING ASSY,SUSPENSION,FRONT,L4RE"	
10	4752556		AIR SPRING ASSEMBLY 10 INCH	
10	4760375	5	FITTING ADAPTOR M12X1/4NPT	
10	4760376	2	FITTING ADAPTOR M16X3/8NPT	
11	4760377	2	FITTING ADAPTOR M22X1/2NPT	
11	4760378	6	FITTING CONN MALE M12X1/4OD	
11	4760379	4	FITTING UNION ELBOW 1/4OD	
11	4760380	2	FITTING PLUG M12	
11	0065463	4	CABLE,VALVE,DRAIN,LANYARD,50.00	

Models: **L4RE  
AIR  
REAR  
LEVELING VALVE SYSTEM**

Key	PartNumber	Qty	Description	Comment
-----	------------	-----	-------------	---------

DR. 12/03/02 BY TFM				
APP.	BY	PRT	4759345	B REV

© BLUE BIRD BODY COMPANY, ALL RIGHTS RESERVED

**Models:** **L4RE**  
**AIR**  
**REAR**  
**LEVELING VALVE SYSTEM**

Key	PartNumber	Qty	Description	Comment
1	4759346		PLATE MTG KNEELING SYSTEM	
2	4758714		ELECTRO PNEUMATIC VALVE EDP26AA	
3	4758715		PRESSURE PROTECTION VALVE	
4	4758716		RELAY VALVE	
5	1032283	2	CAPSCREW,HEX HD,5/16-18,X,3/4,GR5,	
6	0989145	2	CAPSCREW,HEX HD,5/16-18, X, 1, ,GR5,	
7	2028306	2	CAPSCREW,HEX HD,5/16-18X3,GR 5,YEL ZN	
8	1465954	4	NUT,HEX HD,5/16-18,LK,NYLON INSERT,YEL	
9	2001048	12	WASHER,FLAT,11/32 X 11/16 X 1/16,YEL	
10	1246651	2	CAPSCREW,HEX HD,1/4-20X2 3/4,GR5,YEL	
11	1339639	2	NUT,HEX HD,1/4-20,PRVLG TORQUE,FLG,YEL	