

Body

310 Structure

CENTER

INSULATION KIT, DUCTING
30' UNIT

_____ 1
35' UNIT

_____ 2

LH SIDE

30' UNIT

With: FEATURE 30977-08
_____ 3

35' UNIT

With: FEATURE 30977-08
_____ 4

LH FRONT WITH ARCH

With: FEATURE 30977-08 WITH FEATURE 31061-05
_____ 5

RH SIDE

30' UNIT

With: FEATURE 30977-08 WITH FEATURE 31061-04
_____ 6

WITH FRONT ENTRANCE DOOR ONLY

With: FEATURE 30977-08 WITH OUT FEATURE 31061-04
_____ 7

35' UNIT

With: FEATURE 30977-08 WITH FEATURE 31061-05
_____ 8

RH FRONT WITH ARCH

With: FEATURE 30977-08 WITH FEATURE 31061-05
_____ 9

WITH FRONT ENTRANCE DOOR ONLY

With: FEATURE 30977-08 WITH OUT FEATURE 31061-05
_____ 10

FLOOR

DRAWING 1 OF 2

_____ 11

DRAWING 2 OF 2

_____ 12

FRONT


To BSN F30050209
_____ 13

From BSN F30050210
_____ 14

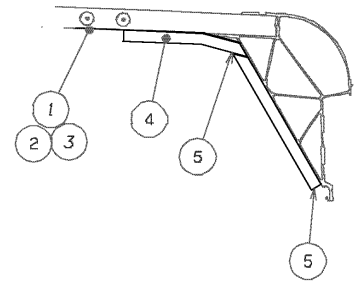
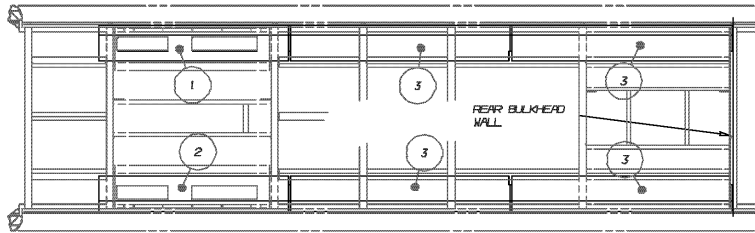
DRIVER'S PLATFORM	
FRONT WHEELARCH	15
LH	
LINERS	16
RH	17
REAR	
FRAME, REAR SUPPORT ASSY	18
ROOF	
CNG	
30' UNIT	19
35' UNIT	20
DIESEL	
30' UNIT	
<i>To BSN F30056004</i>	21
<i>From BSN F30056005</i>	22
35' UNIT	
<i>To BSN F30056004</i>	23
<i>From BSN F30056005</i>	24
	25

Models: **L4RE
CENTER
INSULATION KIT, DUCTING
30' UNIT**

Key	PartNumber	Qty	Description	Comment
-----	------------	-----	-------------	---------

DR: 02/05/03	BY: TB	4760579	A	
APP.	BY: FRT		REV	

© BLUE BIRD BODY COMPANY. ALL RIGHTS RESERVED



Models: **L4RE
CENTER
INSULATION KIT, DUCTING
30' UNIT**


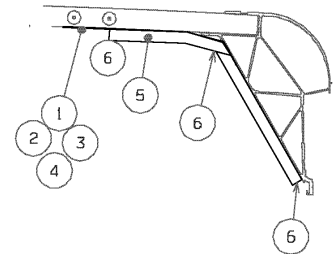
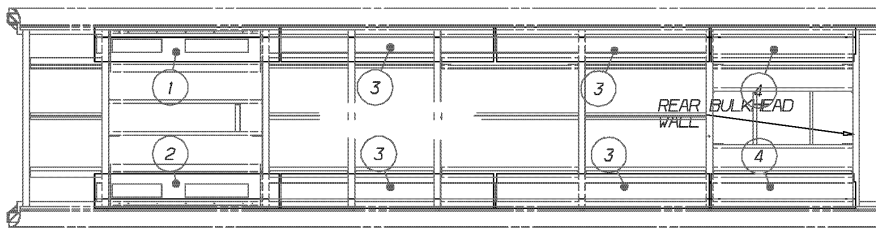
Key	PartNumber	Qty	Description	Comment
1	4759898		PANEL INSULATION BASE AC313 RH	
2	4759897		PANEL INSULATION BASE AC313 LH	
3	4759896	4	PANEL INSULATION BASE STD	<i>STANDARD</i>
4	4759844	4	INSULATION,SHEET,CELOTEX,48 X 96 X 1	
5	4759983	2	TAPE ALUMN FOIL ADHESIVE 75MMX50M	

Models: L4RE
 CENTER
 INSULATION KIT, DUCTING
 35' UNIT

Key	PartNumber	Qty	Description	Comment
-----	------------	-----	-------------	---------

DR. 02/05/03	BY TB		4760580	A
APP.	BY	FRT	REV	

© BLUE BIRD BODY COMPANY. ALL RIGHTS RESERVED

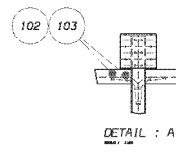
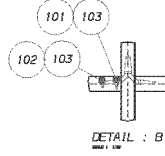
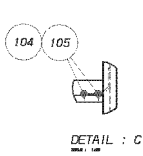



**Models: L4RE
CENTER
INSULATION KIT, DUCTING
35' UNIT**

Key	PartNumber	Qty	Description	Comment
1	4759898		PANEL INSULATION BASE AC313 RH	
2	4759897		PANEL INSULATION BASE AC313 LH	
3	4759896	4	PANEL INSULATION BASE STD	<i>STANDARD</i>
4	4759899	2	PANEL INSULATION BASE REAR	
5	4759844	5	INSULATION,SHEET,CELOTEX,48 X 96 X 1	
6	4759983	2	TAPE ALUMN FOIL ADHESIVE 75MMX50M	

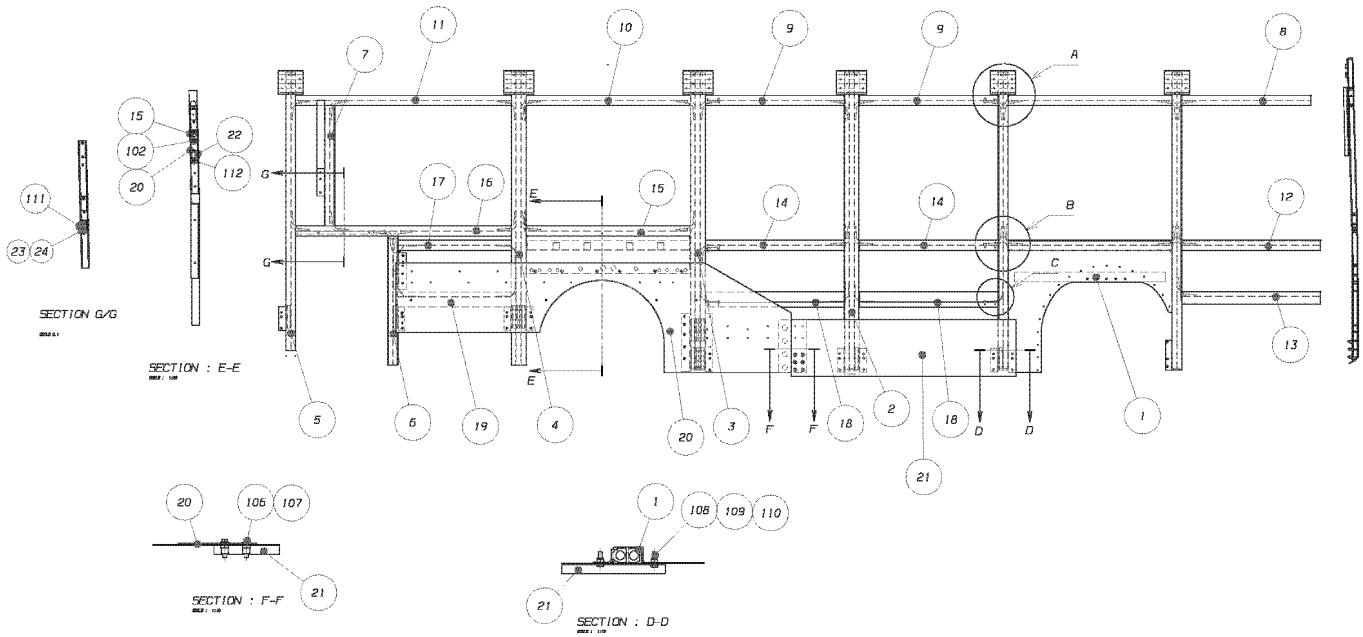
Models: **L4RE
CENTER
LH SIDE
30' UNIT**
With: **FEATURE 30977-08**

Key	PartNumber	Qty	Description	Comment
-----	------------	-----	-------------	---------



DR. 03/09/05	BY: TB	4755533	E
APP.	BY	FRT	RE:Y

© BLUE BIRD BODY COMPANY. ALL RIGHTS RESERVED



Models: L4RE
CENTER
LH SIDE
30' UNIT
With: FEATURE 30977-08


Key	PartNumber	Qty	Description	Comment
1	4759074		BAY ASSY LH FRONT W/ARCH	
2	4755518		PILLAR ASSEMBLY CENTRE 120 LH	
3	4752869		PILLAR ASSY LH REAR WARCH	
4	4755631		PILLAR ASSY LH REAR WARCH	
5	4755520		PILLAR ASSY REAR LH	
6	4755624		PILLAR ASSY STUMP 80H LH	
7	4755513		PILLAR ASSY WINDOW LH	
8	4755538		RAIL VENT 1021MM NOM	
9	4755543		RAIL VENT 1100MM NOM	
10	4755535		RAIL VENT 1300MM NOM	
11	4755630		RAIL VENT 1708 RH	
12	4755539		RAIL 80A 1100MM NOM	
13	4755540		RAIL 100A 1099	
14	4755542		RAIL H 1100MM NOM	
15	4755541		RAIL 80A 1300MM NOM	
16	4755628		RAIL H 1709MM NOM	
17	4753368		RAIL H 900MM NOM	
18	4755302		RAIL Y 1099	
19	4755664		RAIL Y 900MM RH NOM	
20	4759083		SOLEBAR ASSY REAR LH	
21	4755646		SOLEBAR CTR LH 30FT	
22	4752103		RAIL WINDOW ANGLE	
23	4763448		CHANNEL,ALUM, .125X1.25X1.375X28.0, L4RE	

Models: L4RE
 CENTER
 LH SIDE
 30' UNIT
With: FEATURE 30977-08

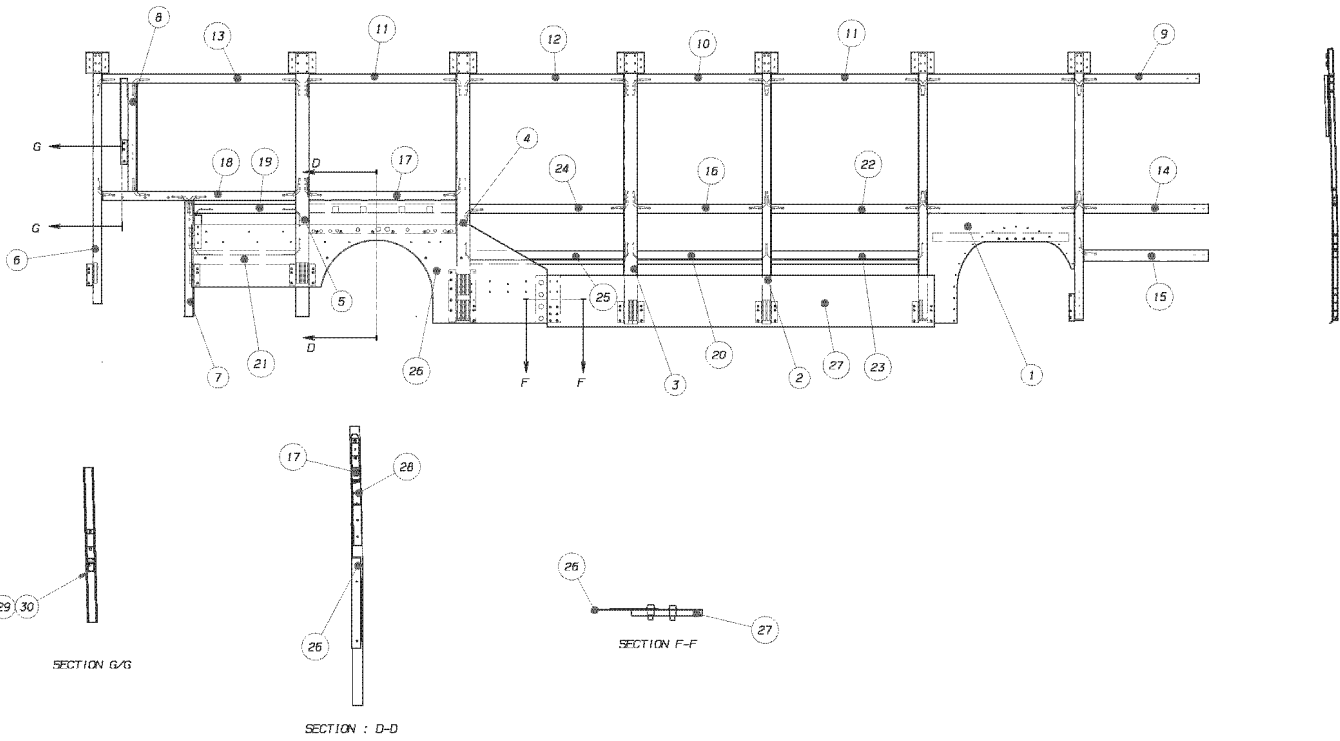
Key	PartNumber	Qty	Description	Comment
24	0069720		PLATE,ALUM,FLAT,.125X.75X28.0	
10	4759310		FASTENER,HUCK,.375,MAGNA-GRIP,MGPB-R12	
10	4759309		FASTENER,HUCK,.375,MAGNA-GRIP,MGPB-R12	
10	0069240		COLLAR,HUCK,3/8,MAGNAGRIP,MGC-R12UL	
10	1693340		FASTENER,HUCK,1/4,MAGNAGRIP,MGPB-R8-10	
10	1693357		FASTENER,HUCK,COLLAR,1/4,MAGNAGRIP,MGC-	
10	4759311		FASTENER,HUCK-FIT,M12,PIN,MHFF-DT12-10	
10	4759312		FASTENER,HUCK-FIT,M12,COLLAR,MHBH-R12	
10	2050839		CAPSCREW,HEX HD,3/8-16X1 1/2,GR5,YEL	
10	2021129		NUT,HEX HD,3/8-16,ELASTIC STOP,YEL ZN	
11	1078922		WASHER,FLAT,3/8 X 7/8 X 5/64,YEL ZN DICH	
11	4759308		FASTENER,HUCK,.25,MAGNA-LOK,MGL100-R8-8	
11	4759600		FASTENER,HUCK,MAGNA-LOK,.25,MGLP-R8-6	

Models: L4RE
CENTER
LH SIDE
35' UNIT
With: FEATURE 30977-08

Key	PartNumber	Qty	Description	Comment
-----	------------	-----	-------------	---------

DR. 03/24/05	RY TEB	4759791	C	
APP.	BY	FRT	REV	

© BLUE BIRD BODY COMPANY. ALL RIGHTS RESERVED



Models: L4RE
CENTER
LH SIDE
35' UNIT
With: FEATURE 30977-08


Key	PartNumber	Qty	Description	Comment
1	4759074		BAY ASSY LH FRONT W/ARCH	
2	4759537		PILLAR ASSY 80H MAIN LH	
3	4755518		PILLAR ASSEMBLY CENTRE 120 LH	
4	4752869		PILLAR ASSY LH REAR WARCH	
5	4755631		PILLAR ASSY LH REAR WARCH	
6	4755520		PILLAR ASSY REAR LH	
7	4755624		PILLAR ASSY STUMP 80H LH	
8	4755513		PILLAR ASSY WINDOW LH	
9	4755538		RAIL VENT 1021MM NOM	
10	4755543		RAIL VENT 1100MM NOM	
11	4755535		RAIL VENT 1300MM NOM	
12	4759380		RAIL,VENT,1360 NOM	
13	4755629		RAI, VENT, RH, 1709LG, NOM, 35 FT WIDE	
14	4755539		RAIL 80A 1100MM NOM	
15	4755540		RAIL 100A 1099	
16	4755542		RAIL H 1100MM NOM	
17	4755541		RAIL 80A 1300MM NOM	
18	4755628		RAIL H 1709MM NOM	
19	4755664		RAIL Y 900MM RH NOM	
20	4755302		RAIL Y 1099	
21	4755664		RAIL Y 900MM RH NOM	
22	4759815		RAIL H 1300 NOM	
23	4759535		RAIL Y 1300 NOM	

Models: L4RE
CENTER
LH SIDE
35' UNIT
With: FEATURE 30977-08

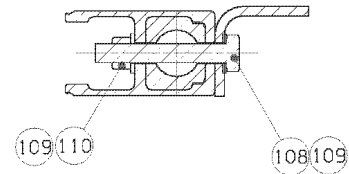
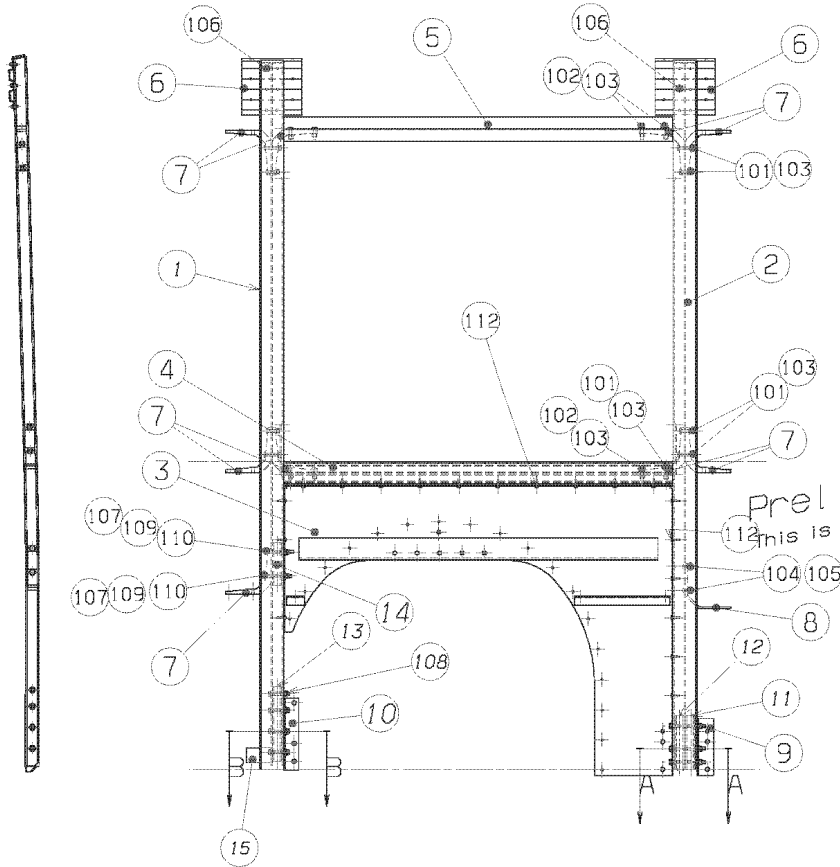
Key	PartNumber	Qty	Description	Comment
24	4759381		RAIL H 1360 NOM	
25	4759379		RAIL Y 1360 NOM	
26	4759083		SOLEBAR ASSY REAR LH	
27	4759376		SOLEBAR CTR LH 35FT	
28	4752103		RAIL WINDOW ANGLE	
29	4763448		CHANNEL,ALUM,.125X1.25X1.375X28.0, L4RE	
30	0069720		PLATE,ALUM,FLAT,.125X.75X28.0	
NI	4752103		RAIL WINDOW ANGLE	
NI	4759310		FASTENER,HUCK,.375,MAGNA-GRIP,MGPB-R12	
NI	4759309		FASTENER,HUCK,.375,MAGNA-GRIP,MGPB-R12	
NI	1693373		FASTENER,HUCK,COLLAR,3/8,MAGNAGRIP,MGC-	
NI	1693340		FASTENER,HUCK,1/4,MAGNAGRIP,MGPB-R8-10	
NI	1693357		FASTENER,HUCK,COLLAR,1/4,MAGNAGRIP,MGC-	
NI	4759311		FASTENER,HUCK-FIT,M12,PIN,MHFF-DT12-10	
NI	4759312		FASTENER,HUCK-FIT,M12,COLLAR,MHBH-R12	
NI	2050839		CAPSCREW,HEX HD,3/8-16X1 1/2,GR5,YEL	
NI	2021129		NUT,HEX HD,3/8-16,ELASTIC STOP,YEL ZN	
NI	1078922		WASHER,FLAT,3/8 X 7/8 X 5/64,YEL ZN DICH	
NI	4759309		FASTENER,HUCK,.375,MAGNA-GRIP,MGPB-R12	
NI	4759600		FASTENER,HUCK,MAGNA-LOK,.25,MGLP-R8-6	

Models: L4RE
 CENTER
 LH SIDE
 35' UNIT
 LH FRONT WITH ARCH
With: FEATURE 30977-08 WITH FEATURE 31061-05

Key	PartNumber	Qty	Description	Comment
-----	------------	-----	-------------	---------

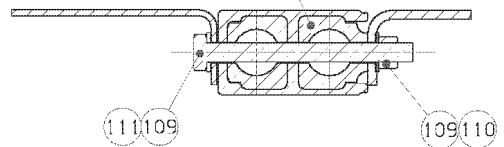
DR. 05/04/05 BY MFR	4759074	D	
APP. BY FRY	REV		

© BLUE BIRD BODY COMPANY, LLC. RIGHTS RESERVED



SECTION : B-B
 SCALE : 1:2

Preliminary Drawing
 This is an Uncontrolled Document



SECTION : A-A
 SCALE : 1:2

Models: L4RE
 CENTER
 LH SIDE
 35' UNIT
 LH FRONT WITH ARCH
With: FEATURE 30977-08 WITH FEATURE 31061-05

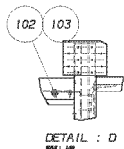
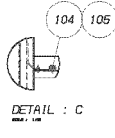
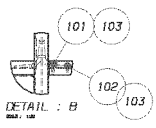
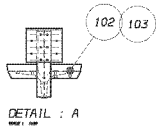
Key	PartNumber	Qty	Description	Comment
1	4752179		PILLAR MAIN 80A	
2	4755872		PILLAR WARCH LH 80A	
3	4759230		PANEL FRT WARCH LH	
4	4759230		PANEL FRT WARCH LH	
5	4755541		RAIL 80A 1300MM NOM	
6	4755044	2	BRACKET PILLAR CANT FIXING	
7	4751981	9	BRACKET CORNER EXTRUDED ALUM	
8	4755214		BRACKET CORNER	
9	4752763		BRACKET PILLAR CONNECTION RH	
10	4759438		BRACKET PILLAR CONNECTION WHEELARCH	
11	4752600		PILLAR INSERT 3 HOLE 80H	
12	4752601		PILLAR INSERT 3 HOLE 80A	
13	4759608		PILLAR INSERT 4 HOLE 80A	
14	4759615		PILLAR INSERT 2 HOLE 80A	
15	4762342		PLATE,STRIKER,BATTERY DOOR	
10		10	FASTENER, HUCK, .375, MAGNA-GRIP, MGPB-	
10		6	FASTENER, HUCK, .375, MAGNA-GRIP, MGPB-	
10		16	FASTENER, HUCK, COLLAR, .375, MAGNEGRIP,	
10		2	FASTENER, HUCK, .25, MAGNA-GRIP, MGPB-R8	
10		2	FASTENER, HUCK, COLLAR, .25 MAGNA-GRIP,	
10		12	FASTENER, HUCK, .25, BLIND, BOM-R8-4	
10	0544023	2	CAPSCREW,HEX HD,3/8-16X3 1/2,GR5,YEL	
10	0882811	4	CAPSCREW,HEX HD,3/8-16X2 1/2,GR5,YEL	

Models: L4RE
 CENTER
 LH SIDE
 35' UNIT
 LH FRONT WITH ARCH
With: FEATURE 30977-08 WITH FEATURE 31061-05

Key	PartNumber	Qty	Description	Comment
10	1078922	18	WASHER,FLAT,3/8 X 7/8 X 5/64,YEL ZN DICH	
11	2021129	9	NUT,HEX HD,3/8-16,ELASTIC STOP,YEL ZN	
11	0069274	3	CAPSCREW,HEX HD,3/8-16X4.25,GR5,YEL ZN	
11		19	FASTENER, HUCK, .25, MAGNA-BULB, MBP-R8-	

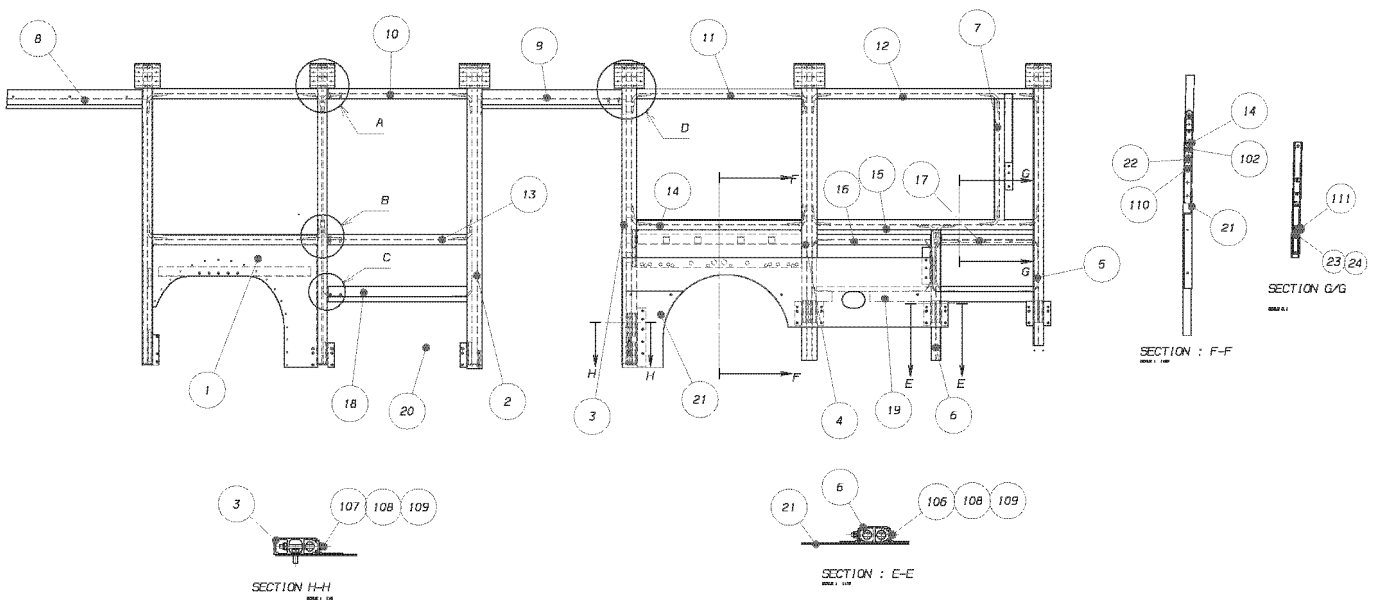
Models: L4RE
CENTER
RH SIDE
30' UNIT
With: FEATURE 30977-08 WITH FEATURE 31061-04

Key	PartNumber	Qty	Description	Comment
-----	------------	-----	-------------	---------



DR. 03/09/05 BY TD	4755532	11	
APP. BY FRY	REV.		

© BLUE BIRD BODY COMPANY. ALL RIGHTS RESERVED



Models: L4RE
CENTER
RH SIDE
30' UNIT
With: FEATURE 30977-08 WITH FEATURE 31061-04

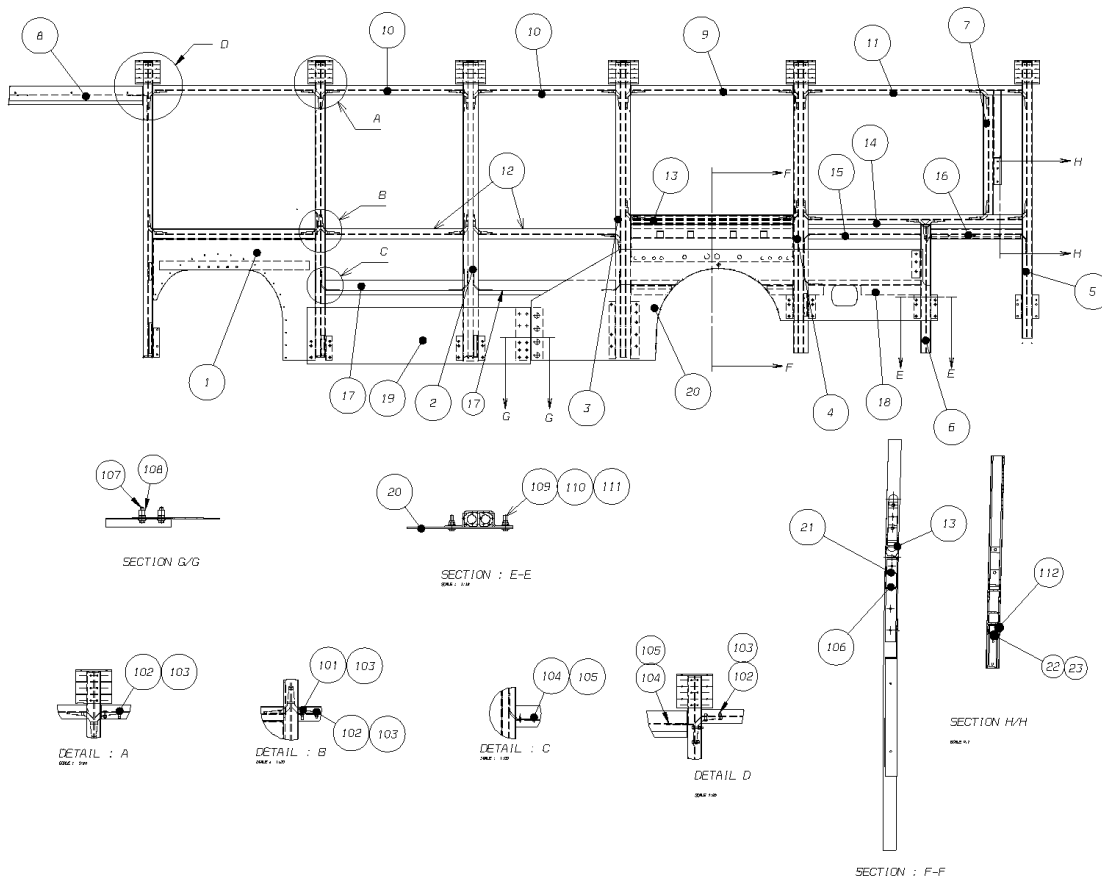
Key	PartNumber	Qty	Description	Comment
1	4759073		BAY ASSY RH FRONT W/ARCH	
2	4752921		PILLAR ASSY CTR DOOR	
3	4758666		PILLAR ASSY CENTRE DOOR REAR	
4	4755633		PILLAR ASSY RH REAR WARCH	
5	4755515		PILLAR ASSY REAR RH	
6	4755626		PILLAR ASSY STUMP 80H RH	
7	4755514		PILLAR ASSY WINDOW RH	
8	4755534		RAIL FRT DOOR APER LHD	
9	4755544		RAIL CTR DOOR APER LHD	
10	4755543		RAIL VENT 1100MM NOM	
11	4755535		RAIL VENT 1300MM NOM	
12	4755629		RAI, VENT, RH, 1709LG, NOM, 35 FT WIDE	
13	4755542		RAIL H 1100MM NOM	
14	4755541		RAIL 80A 1300MM NOM	
15	4755628		RAIL H 1709MM NOM	
16	4753368		RAIL H 900MM NOM	
17	4752883		RAIL,ALUM,H,728MM NOM	ENDING WITH BSN F30055395
17	4760780		RAIL,A,729MM NOM	BEGIN WITH BSN F30055396
18	4755302		RAIL Y 1099	
19	4755665		RAIL Y LH 899	
20	4755645		SOLEBAR CTR RH 30FT	
21	4759082		SOLEBAR ASSY REAR RH	
22	4752103		RAIL WINDOW ANGLE	

Models: L4RE
CENTER
RH SIDE
30' UNIT
With: FEATURE 30977-08 WITH FEATURE 31061-04

Key	PartNumber	Qty	Description	Comment
23	4763448		CHANNEL,ALUM,.125X1.25X1.375X28.0, L4RE	
24	0069720		PLATE,ALUM,FLAT,.125X.75X28.0	
10	4759310		FASTENER,HUCK,.375,MAGNA-GRIP,MGPB-R12	
10	4759309		FASTENER,HUCK,.375,MAGNA-GRIP,MGPB-R12	
10	0069240		COLLAR,HUCK,3/8,MAGNAGRIP,MGC-R12UL	
10	1693340		FASTENER,HUCK,1/4,MAGNAGRIP,MGPB-R8-10	
10	1693357		FASTENER,HUCK,COLLAR,1/4,MAGNAGRIP,MGC-	
10	2050839		CAPSCREW,HEX HD,3/8-16X1 1/2,GR5,YEL	
10	0882811		CAPSCREW,HEX HD,3/8-16X2 1/2,GR5,YEL	
10	2021129		NUT,HEX HD,3/8-16,ELASTIC STOP,YEL ZN	
10	1078922		WASHER,FLAT,3/8 X 7/8 X 5/64,YEL ZN DICH	
11	4759600		FASTENER,HUCK,MAGNA-LOK,.25,MGLP-R8-6	
11	4759308		FASTENER,HUCK,.25,MAGNA-LOK,MGL100-R8-8	

Models: **L4RE
CENTER
RH SIDE
30' UNIT
WITH FRONT ENTRANCE DOOR ONLY**
With: **FEATURE 30977-08 WITH OUT FEATURE 31061-04**

Key	PartNumber	Qty	Description	Comment
-----	------------	-----	-------------	---------



Models: L4RE
CENTER
RH SIDE
30' UNIT
WITH FRONT ENTRANCE DOOR ONLY
With: **FEATURE 30977-08 WITH OUT FEATURE 31061-04**


Key	PartNumber	Qty	Description	Comment
1	4759073		BAY ASSY RH FRONT W/ARCH	
2	4755518		PILLAR ASSEMBLY CENTRE 120 LH	
3	0065595		PILLAR ASSY,RH,REAR W ARCH	
4	4755633		PILLAR ASSY RH REAR WARCH	
5	4755515		PILLAR ASSY REAR RH	
6	4755626		PILLAR ASSY STUMP 80H RH	
7	4755514		PILLAR ASSY WINDOW RH	
8	4755534		RAIL FRT DOOR APER LHD	
9	4755535		RAIL VENT 1300MM NOM	
10	4755543		RAIL VENT 1100MM NOM	
11	4755629		RAI, VENT, RH, 1709LG, NOM, 35 FT WIDE	
12	4755542		RAIL H 1100MM NOM	
13	4755541		RAIL 80A 1300MM NOM	
14	4755628		RAIL H 1709MM NOM	
15	4753368		RAIL H 900MM NOM	
16	4752883		RAIL,ALUM,H,728MM NOM	
17	4755302		RAIL Y 1099	
18	4755665		RAIL Y LH 899	
19	4761663		SOLEBAR,CTR,RH,30FT,1-DOOR,ENTRANCE	
20	4761664		SOLEBAR,ASSY,REAR,30FT,1 DOOR,ENTRANCE	
21	4752103		RAIL WINDOW ANGLE	
22	4763448		CHANNEL,ALUM, .125X1.25X1.375X28.0, L4RE	
23	0069720		PLATE,ALUM,FLAT,.125X.75X28.0	

Models: L4RE
 CENTER
 RH SIDE
 30' UNIT
With: WITH FRONT ENTRANCE DOOR ONLY
 FEATURE 30977-08 WITH OUT FEATURE 31061-04

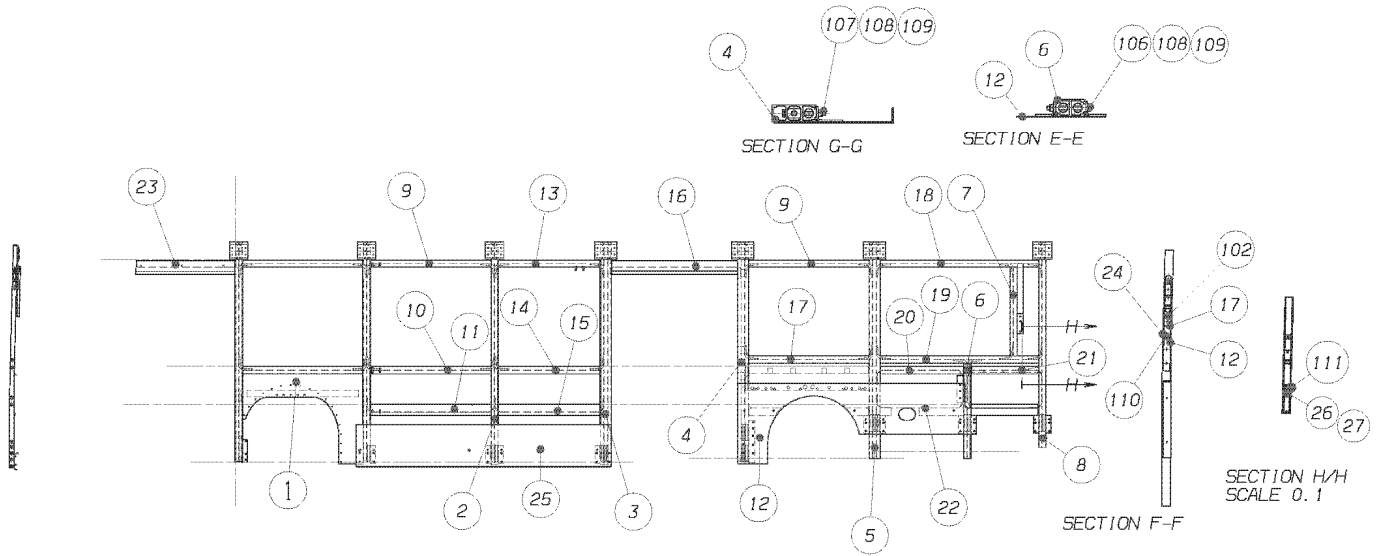
Key	PartNumber	Qty	Description	Comment
10	4759310		FASTENER,HUCK,.375,MAGNA-GRIP,MGPB-R12	
10	4759309		FASTENER,HUCK..375,MAGNA-GRIP,MGPB-R12	
10	0069240		COLLAR,HUCK,3/8,MAGNAGRIP,MGC-R12UL	
10	1693340		FASTENER,HUCK,1/4,MAGNAGRIP,MGPB-R8-10	
10	1693357		FASTENER,HUCK,COLLAR,1/4,MAGNAGRIP,MGC-	
10	4759600		FASTENER,HUCK,MAGNA-LOK,.25,MGLP-R8-6	
10	4759311		FASTENER,HUCK-FIT,M12,PIN,MHFF-DT12-10	
10	4759312		FASTENER,HUCK-FIT,M12,COLLAR,MHBH-R12	
10	2050839		CAPSCREW,HEX HD,3/8-16X1 1/2,GR5,YEL	
11	2021129		NUT,HEX HD,3/8-16,ELASTIC STOP,YEL ZN	
11	1078922		WASHER,FLAT,3/8 X 7/8 X 5/64,YEL ZN DICH	
11	4759308		FASTENER,HUCK,.25,MAGNA-LOK,MGL100-R8-8	

Models: L4RE
 CENTER
 RH SIDE
 35' UNIT
 With: FEATURE 30977-08 WITH FEATURE 31061-05

Key	PartNumber	Qty	Description	Comment
-----	------------	-----	-------------	---------

DR. 05/04/05	BY MFR	4759792	C	
APP.	BY FRT		REV	

© BLUE BIRD BODY COMPANY, ALL RIGHTS RESERVED



Models: L4RE
CENTER
RH SIDE
35' UNIT
With: FEATURE 30977-08 WITH FEATURE 31061-05

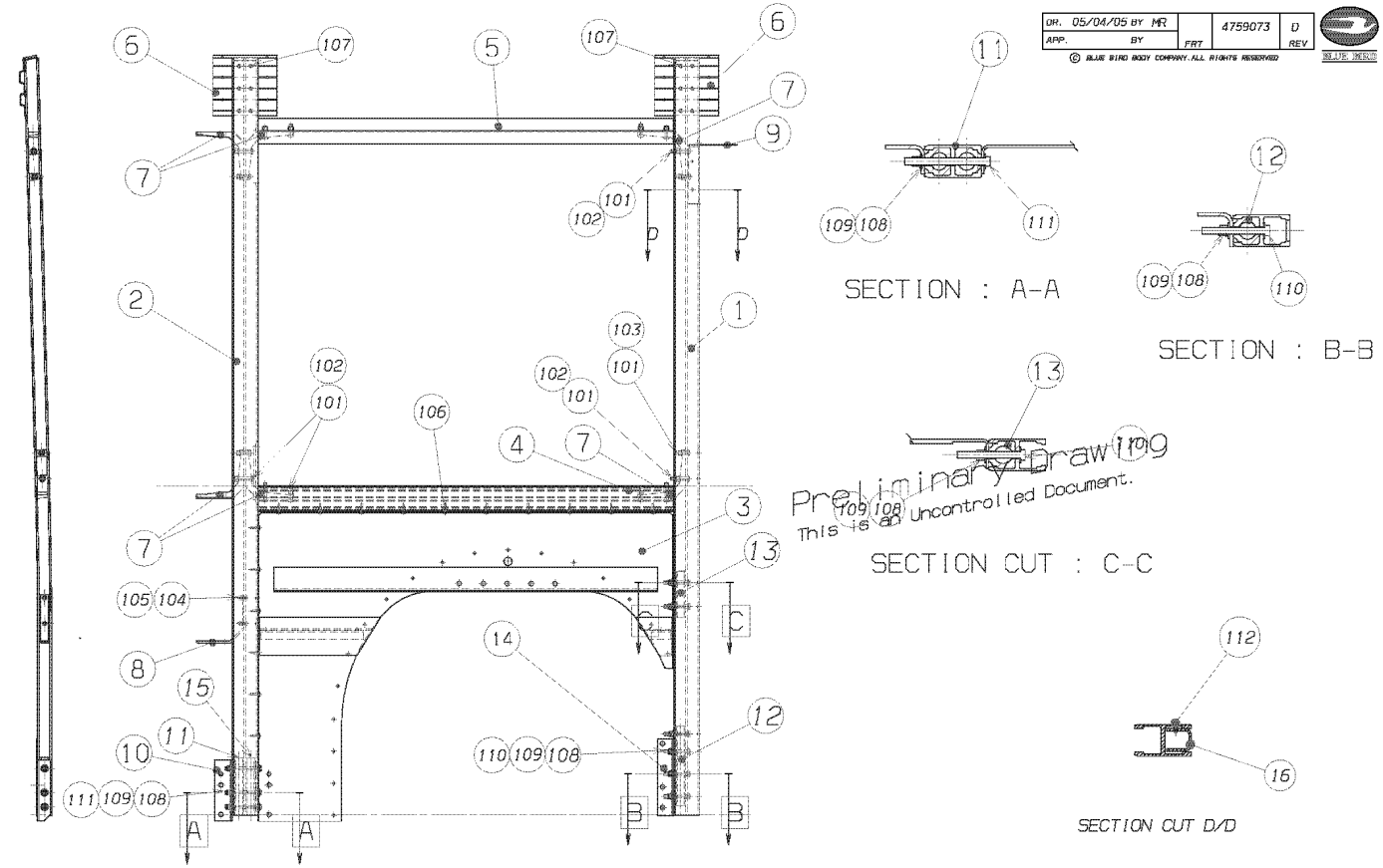
Key	PartNumber	Qty	Description	Comment
1	4759073		BAY ASSY RH FRONT W/ARCH	
2	4759537		PILLAR ASSY 80H MAIN LH	
3	4752921		PILLAR ASSY CTR DOOR	
4	4758666		PILLAR ASSY CENTRE DOOR REAR	
5	4755633		PILLAR ASSY RH REAR WARCH	
6	4755626		PILLAR ASSY STUMP 80H RH	
7	4755514		PILLAR ASSY WINDOW RH	
8	4755534		RAIL FRT DOOR APER LHD	
9	4755535		RAIL VENT 1300MM NOM	
10	4759815		RAIL H 1300 NOM	
11	4759535		RAIL Y 1300 NOM	
12	4759082		SOLEBAR ASSY REAR RH	
13	4755543		RAIL VENT 1100MM NOM	
14	4755542		RAIL H 1100MM NOM	
15	4755302		RAIL Y 1099	
16	4759383		RAIL CTR DOOR APER LHD - 42 DOOR	
17	4755541		RAIL 80A 1300MM NOM	
18	4755629		RAI, VENT, RH, 1709LG, NOM, 35 FT WIDE	
19	4755628		RAIL H 1709MM NOM	
20	4753368		RAIL H 900MM NOM	
21	4752883		RAIL,ALUM,H,728MM NOM	
22	4752885		RAIL Y 729MM NOM	
23	4755665		RAIL Y LH 899	

Models: L4RE
CENTER
RH SIDE
35' UNIT
With: FEATURE 30977-08 WITH FEATURE 31061-05

Key	PartNumber	Qty	Description	Comment
24	4752103		RAIL WINDOW ANGLE	
25	4759377		SOLEBAR CTR RH 35FT	
26	4763448		CHANNEL,ALUM,.125X1.25X1.375X28.0, L4RE	
27	0069720		PLATE,ALUM,FLAT,.125X.75X28.0	

Models: **L4RE
CENTER
RH SIDE
35' UNIT
RH FRONT WITH ARCH**
With: **FEATURE 30977-08 WITH FEATURE 31061-05**

Key	PartNumber	Qty	Description	Comment
-----	------------	-----	-------------	---------



Models: L4RE
CENTER
RH SIDE
35' UNIT
RH FRONT WITH ARCH
With: **FEATURE 30977-08 WITH FEATURE 31061-05**

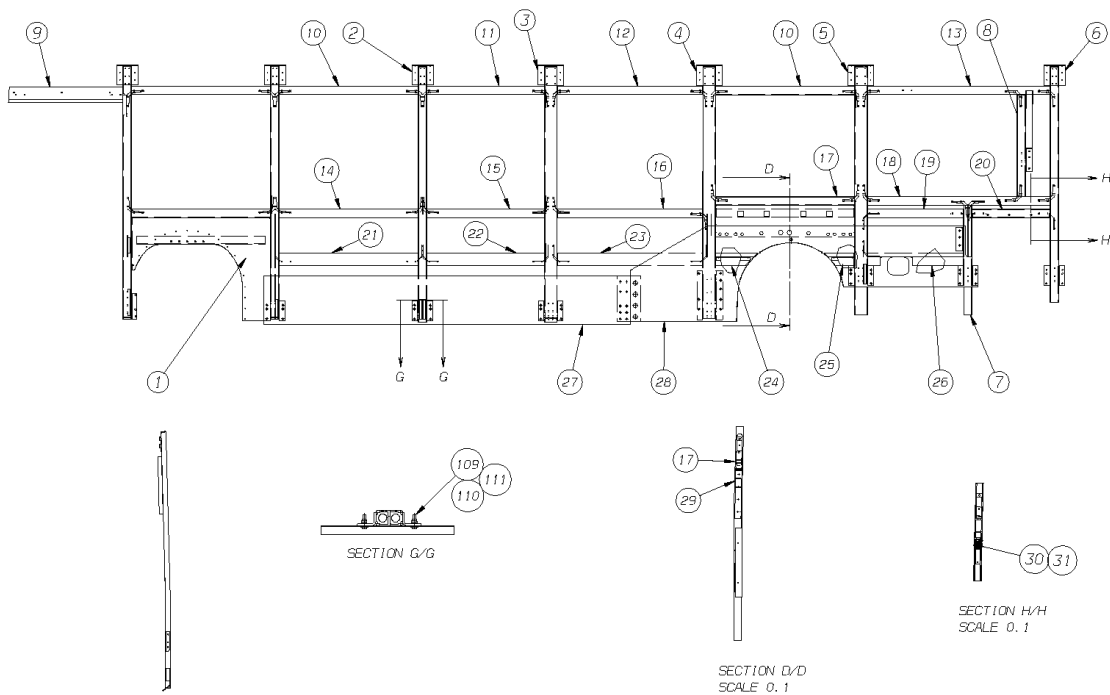
Key	PartNumber	Qty	Description	Comment
1	4752992		PILLAR ENT DR 80A	
2	4755873		PILLAR WARCH RH 80A	
3	4759231		PANEL FRT WARCH RH	
4	4755541		RAIL 80A 1300MM NOM	
5	4755535		RAIL VENT 1300MM NOM	
6	4755044	2	BRACKET PILLAR CANT FIXING	
7	4751981	6	BRACKET CORNER EXTRUDED ALUM	
8	4755214		BRACKET CORNER	
9	4753835		BRACKET ENT DOOR RAIL	
10	4752762		BRACKET PILLAR CONNECTION LH	
11	4752600		PILLAR INSERT 3 HOLE 80H	
12	4755336		PILLAR INSERT 4 HOLE 80H	
13	4755661		PILLAR INSERT 2 HOLE 80H	
14	4759366		BRACKET PILLAR CONNECTION WHEELARCH	
15	4752601		PILLAR INSERT 3 HOLE 80A	
16	0069714		CHANNEL,ALUM,.125X1.25X1.375X7.0"	
10		16	FASTENER, HUCK, COLLAR, 3/8, MAGNAGRIP,	
10		8	FASTENER, HUCK, .375, MAGNA-GRIP, MGPB-	
10		8	FASTENER, HUCK, .375, MAGNA-GRIP, MGPB-	
10		2	FASTENER, HUCK, COLLAR, 1/4, MAGNAGRIP,	
10		2	FASTENER, HUCK, 1/4, MAGNAGRIP, MGPB-R8	
10		16	FASTENER, HUCK, .25 MAGNA-BULB, MBP-R8-	
10		12	FASTENER, HUCK, .25, BLIND, BOM-R8-4	

Models: L4RE
 CENTER
 RH SIDE
 35' UNIT
With: RH FRONT WITH ARCH
 FEATURE 30977-08 WITH FEATURE 31061-05

Key	PartNumber	Qty	Description	Comment
10	2021129	9	NUT,HEX HD,3/8-16,ELASTIC STOP,YEL ZN	
10	1078922	18	WASHER,FLAT,3/8 X 7/8 X 5/64,YEL ZN DICH	
11	1063262	6	CAPSCREW,HEX HD,3/8-16 X 3,GR8,YEL ZN	
11	0069274	3	CAPSCREW,HEX HD,3/8-16X4.25,GR5,YEL ZN	
11	2217578	2	RIVET,BLIND,ALUM,1/8 DIA,W/ST M,251-312	

Models: L4RE
 CENTER
 RH SIDE
 35' UNIT
 WITH FRONT ENTRANCE DOOR ONLY
 With: FEATURE 30977-08 WITH OUT FEATURE 31061-05

Key	PartNumber	Qty	Description	Comment
-----	------------	-----	-------------	---------



Models: L4RE
CENTER
RH SIDE
35' UNIT
WITH FRONT ENTRANCE DOOR ONLY
With: **FEATURE 30977-08 WITH OUT FEATURE 31061-05**

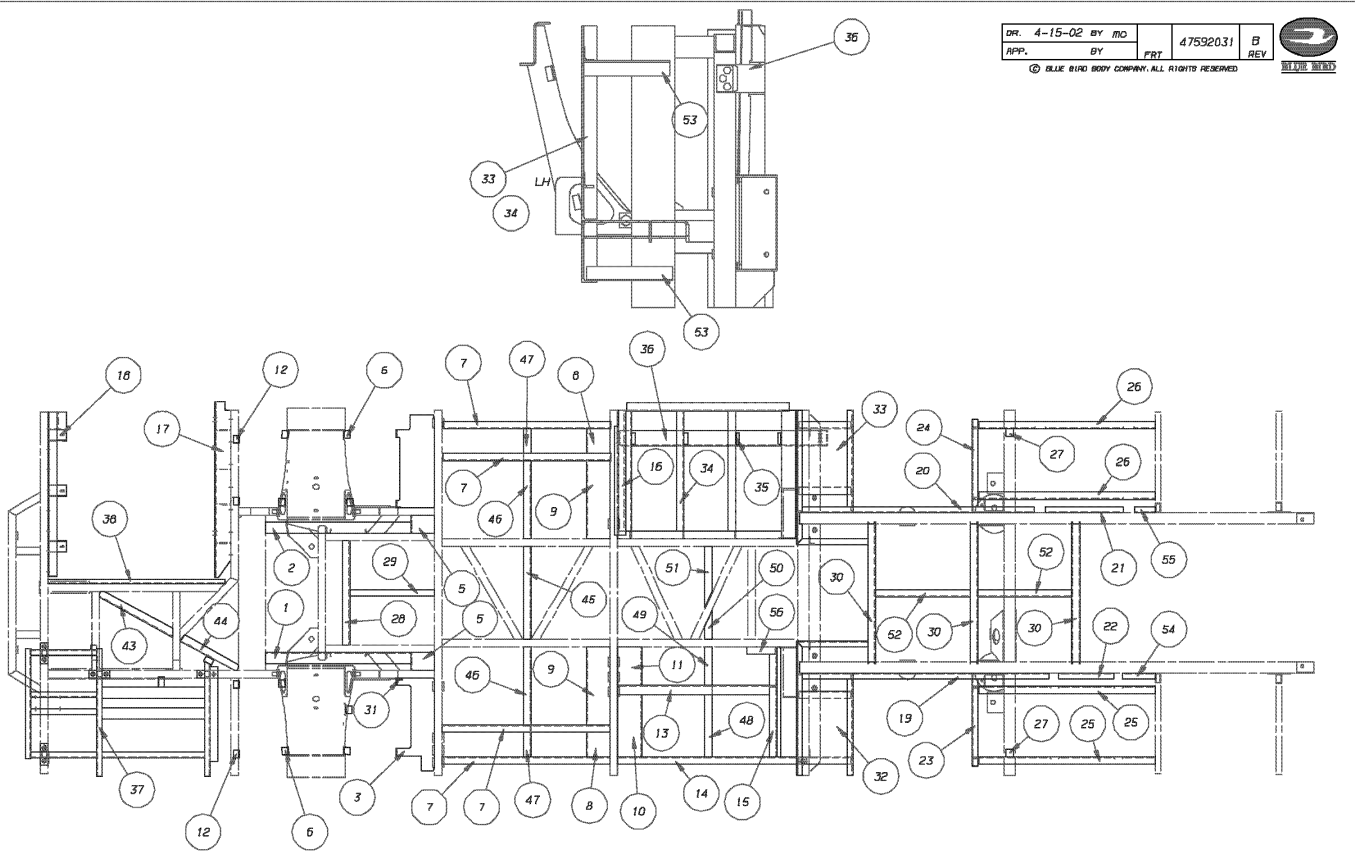
Key	PartNumber	Qty	Description	Comment
1	4759073		BAY ASSY RH FRONT W/ARCH	
2	4759537		PILLAR ASSY 80H MAIN LH	
3	4755518		PILLAR ASSEMBLY CENTRE 120 LH	
4	0065595		PILLAR ASSY,RH,REAR W ARCH	
5	4755633		PILLAR ASSY RH REAR WARCH	
6	4755515		PILLAR ASSY REAR RH	
7	4755626		PILLAR ASSY STUMP 80H RH	
8	4755514		PILLAR ASSY WINDOW RH	
9	4755534		RAIL FRT DOOR APER LHD	
10	4755535	2	RAIL VENT 1300MM NOM	
11	4755543		RAIL VENT 1100MM NOM	
12	4759380		RAIL,VENT,1360 NOM	
13	4755629		RAI, VENT, RH, 1709LG, NOM, 35 FT WIDE	
14	4759815		RAIL H 1300 NOM	
15	4755542		RAIL H 1100MM NOM	
16	4759381		RAIL H 1360 NOM	
17	4755541		RAIL 80A 1300MM NOM	
18	4755628		RAIL H 1709MM NOM	
19	4753368		RAIL H 900MM NOM	
20	4752883		RAIL,ALUM,H,728MM NOM	
21	4759535		RAIL Y 1300 NOM	
22	4755302		RAIL Y 1099	
23	4759379		RAIL Y 1360 NOM	

Models: L4RE
 CENTER
 RH SIDE
 35' UNIT
WITH FRONT ENTRANCE DOOR ONLY
With: FEATURE 30977-08 WITH OUT FEATURE 31061-05

Key	PartNumber	Qty	Description	Comment
24	4761119		RAIL,MOUNTING,RUB RAIL,RH,REAR	
25	4761120		RAIL,MOUNTING,RUB RAIL,RH,REAR	
26	4755665		RAIL Y LH 899	
27	0065909		SOLEBAR,CTR,RH 35FT 1DOOR ENTRANCE	
28	4761664		SOLEBAR,ASSY,REAR,30FT,1 DOOR,ENTRANCE	
29	4752103		RAIL WINDOW ANGLE	
30	4763448		CHANNEL,ALUM, .125X1.25X1.375X28.0, L4RE	
31	0069720		PLATE,ALUM,FLAT, .125X.75X28.0	
10	2050839	12	CAPSCREW,HEX HD,3/8-16X1 1/2,GR5,YEL	
11	2021129	12	NUT,HEX HD,3/8-16,ELASTIC STOP,YEL ZN	
11	1078922	24	WASHER,FLAT,3/8 X 7/8 X 5/64,YEL ZN DICH	
NI	2002756		SEALANT,SYNTHETIC,PUTTY,SIKA SLUG	

Models: L4RE
FLOOR
DRAWING 1 OF 2

Key	PartNumber	Qty	Description	Comment
-----	------------	-----	-------------	---------



**Models: L4RE
FLOOR
DRAWING 1 OF 2**

Key	PartNumber	Qty	Description	Comment
1	4759985		ANGLE FLOOR SUPPORT	
2	4759986		ANGLE FLOOR SUPPORT	
3	4759662		PLATE FLOOR LH FRT WHEELARCH	
4	4759663		PLATE FLOOR RH FRT WHEELARCH	
5	4759269		PLATE FLOOR INFILL FRONT	
6	4759726		ANGLE W/ARCH UPPER SUPPT	
7	4759288		ANGLE 2X1.5X0.187 - 44.438LG.	
8	4759283		PLATE FLOOR CTR 6.438	
9	4760014		PLATE FLOOR SUPPORT	
10	4759987		PLATE FLOOR SUPPORT	
11	4759988		PLATE FLOOR SUPPORT	
12	4759727		ANGLE W/ARCH LOWER SUPPT	
13	4760036		ANGLE FLOOR SUPPORT	
14	4759292		ANGLE SUPPORT SEATRAIL	
15	4759984		FLOOR SUPPORT ASSEMBLY	
16	4759653		PANEL EXIT DOOR FLOOR RISER	
17	4760242		BRACKET RAMP REAR SUPPT ASSY	
18	4760254		BRACKET RAMP FRT CHASSIS SUPPT ASSY	
19	4759989		ANGLE FLOOR SUPPORT	
20	4759990		ANGLE FLOOR SUPPORT	
21	4759991		ANGLE FLOOR SUPPORT	
22	4759992		ANGLE FLOOR SUPPORT	
23	4759205		ANGLE WARCH SUPPORT LH	

**Models: L4RE
FLOOR
DRAWING 1 OF 2**

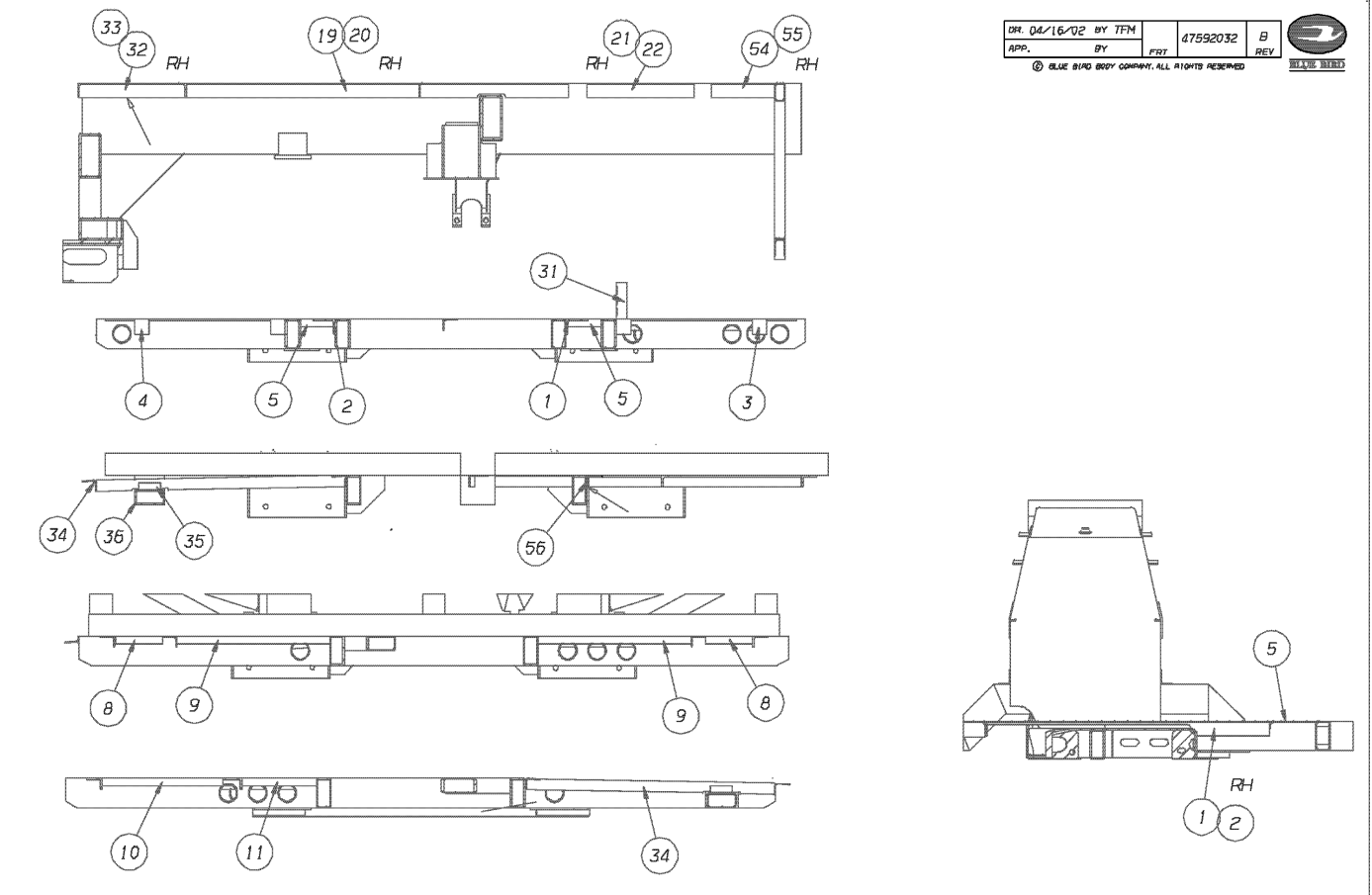
Key	PartNumber	Qty	Description	Comment
24	4759206		ANGLE WARCH SUPPORT RH	
25	4760140		ANGLE FLOOR SUPPORT	
26	4760141		ANGLE FLOOR SUPPORT	
27	4759289		ANGLE 2X1.5X0.187 - 2.0LG.	
28	4760143		ANGLE FLOOR JOINT	
29	4759993		ANGLE FLOOR SUPPORT	
30	4759324		ANGLE FLOOR SUPPORT REAR CTR	
31	4759728		ANGLE W/ARCH LH LWR INNER SUPPT	
32	4759916		FRAME FLOOR SUPPT UPPER SAL LH FRT ASSY	
33	4759917		FRAME FLOOR SUPPT UPPER SAL RH FRT ASSY	
34	4759534		FLOOR SUPPT EXIT DR 30FT ASSY	
35	4759563		ANGLE 1 X 1 X .125 FLOOR TIE	
36	4759530		BEAM CHASSIS FLOOR SUPPT ASSY	
37	4759763		FRAME DRIVERS PLATFORM ASSEMBLY	
38	4760263		ANGLE 1 X 1 X .125 X 46.75LG	
43	4759648		ANGLE 2 X 1.5 X .125 DRIVERS STEP SUPPORT	
44	4759649		ANGLE 2 X 1.5 X .125 DRIVERS STEP SUPPORT	
45	4758663		ANGLE 2 X 1,5 FLOOR SUPPORT	
46	4759995		ANGLE FLOOR JOINT	
47	4759996		ANGLE FLOOR JOINT	
48	4759997		ANGLE FLOOR JOINT	
49	4759998		ANGLE FLOOR JOINT	
50	4759999		ANGLE FLOOR JOINT	

Models: L4RE
FLOOR
DRAWING 1 OF 2

Key	PartNumber	Qty	Description	Comment
51	4760000		ANGLE FOOR JOINT	
52	4760001		ANGLE FLOOR SUPPORT	
53	4760002		ANGLE 2 X 1.5 X .1875 LTH 12	
54	4760003		ANGLE FLOOR JOINT	
55	4760004		ANGLE FLOOR JOINT	
56	4760013		ANGLE STEP SUPPORT	

Models: L4RE
FLOOR
DRAWING 2 OF 2

Key	PartNumber	Qty	Description	Comment
-----	------------	-----	-------------	---------



Models: **L4RE
FLOOR
DRAWING 2 OF 2**

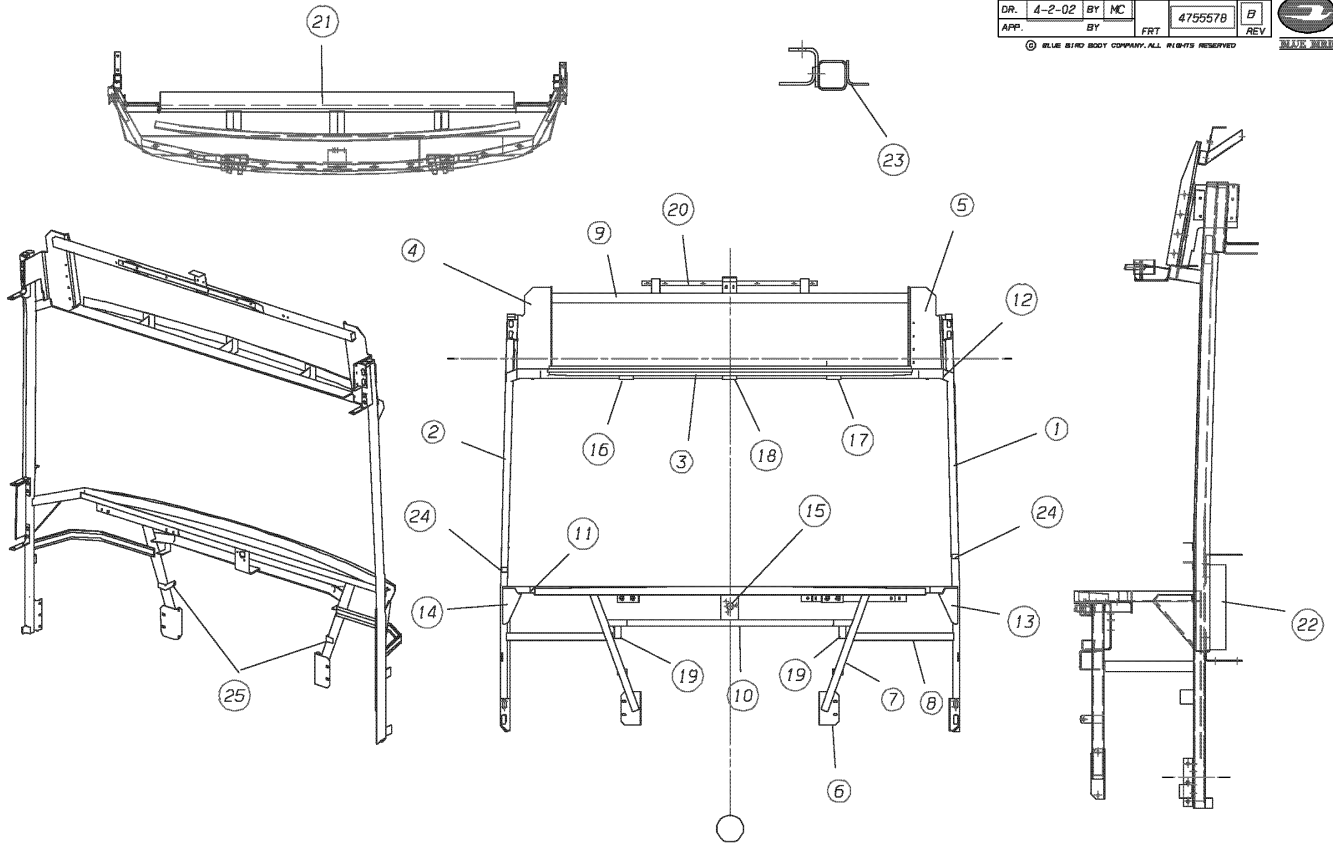
Key	PartNumber	Qty	Description	Comment
1	4759985		ANGLE FLOOR SUPPORT	
2	4759986		ANGLE FLOOR SUPPORT	
3	4759662		PLATE FLOOR LH FRT WHEELARCH	
4	4759663		PLATE FLOOR RH FRT WHEELARCH	
5	4759269		PLATE FLOOR INFILL FRONT	
8	4759283		PLATE FLOOR CTR 6.438	
9	4760014		PLATE FLOOR SUPPORT	
10	4759987		PLATE FLOOR SUPPORT	
11	4759988		PLATE FLOOR SUPPORT	
19	4759987		PLATE FLOOR SUPPORT	
20	4759990		ANGLE FLOOR SUPPORT	
21	4759991		ANGLE FLOOR SUPPORT	
22	4759992		ANGLE FLOOR SUPPORT	
31	4759728		ANGLE W/ARCH LH LWR INNER SUPPT	
32	4759916		FRAME FLOOR SUPPT UPPER SAL LH FRT ASSY	
33	4759917		FRAME FLOOR SUPPT UPPER SAL RH FRT ASSY	
34	4759534		FLOOR SUPPT EXIT DR 30FT ASSY	
35	4759563		ANGLE 1 X 1 X .125 FLOOR TIE	
36	4759530		BEAM CHASSIS FLOOR SUPPT ASSY	
54	4760003		ANGLE FLOOR JOINT	
55	4760004		ANGLE FLOOR JOINT	
56	4760013		ANGLE STEP SUPPORT	

**Models: L4RE
FRONT
To BSN F30050209**

Key	PartNumber	Qty	Description	Comment
-----	------------	-----	-------------	---------

DR.	4-2-02	BY	MC		
APP.		BY	FRT	475557B	B
					REV

© BLUE BIRD BODY COMPANY. ALL RIGHTS RESERVED



**Models: L4RE
FRONT
To BSN F30050209**

Key	PartNumber	Qty	Description	Comment
1	4754384		PILLAR FRONT LH LHD	
2	4754385		PILLAR FRONT RH LHD	
3	4752243		RAIL WINDSCREEN TOP	
4	4752603		PANEL CAB FRAME TO CANT RH	
5	4752602		PANEL CAB FRAME TO CANT LH	
6	4752405	2	ANGLE FRONT GRILLE PIVOT	
7	4752393	2	DIAGONAL LOWER CAB FRAME	
8	4753946	2	RAIL CAB QUARTER	
9	4753975		SUPPORT GRP FRT. TOP	
10	4755622		RAIL LOWER CAB FRAME	
11	4755627		WAIST ASSEMBLY FRONT LHD	
12	4755621		RAIL HEADERBOX BTM.	
13	4752615		PLATE GUSSET WAIST RAIL	
14	4752691		PLATE GUSSET WAIST RAIL RH	
15	4752948		BRACKET WIPER MOTOR MTG.	
16	4752841		BRACKET GLAZING RAIL SUPPORT RH	
17	4752840		BRACKET GLAZING RAIL SUPPORT LH	
18	4753340		BRACKET GLAZING RAIL SUPPORT CTR.	
19	4753394		BRACKET GRILLE LATCH	
20	4753344		HEADERBOX TOP ASSY	
21	4759915		RAIL HEADERBOX FIXING	
22	4759884		PLATE CAB LH MIRROR FIXING	
23	4759894		BRACKET ANGLE BATTERY DOOR LOCATION	

Models: L4RE
FRONT
To BSN F30050209


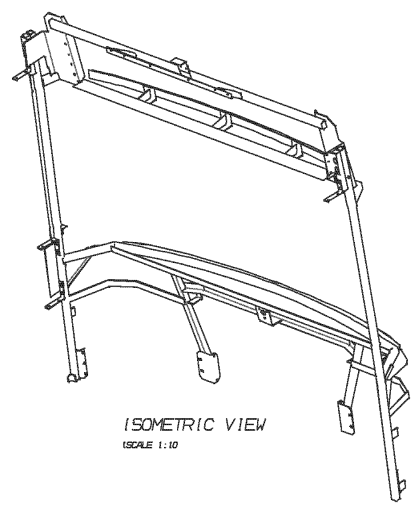
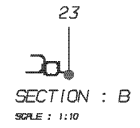
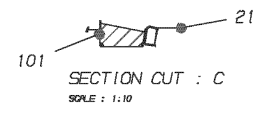
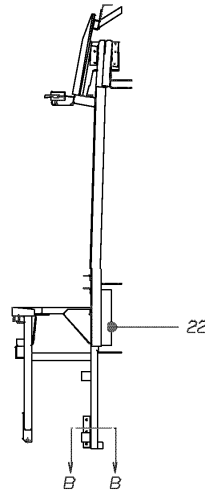
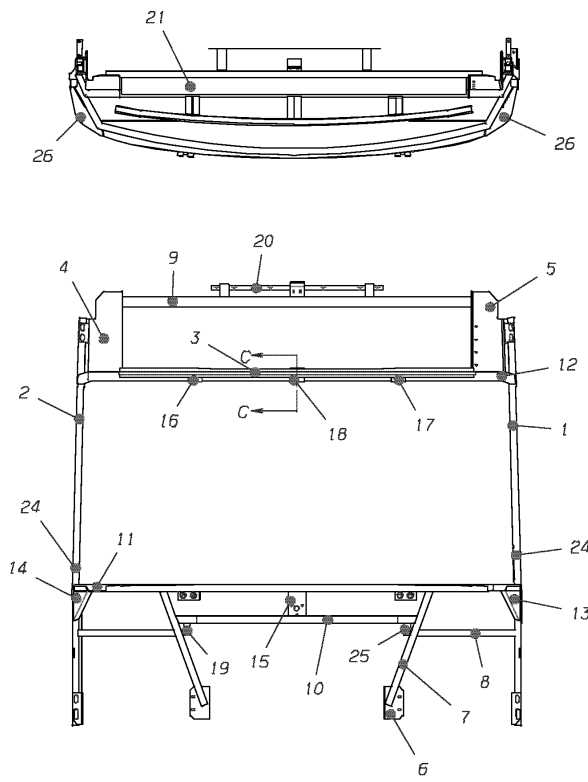
Key	PartNumber	Qty	Description	Comment
24	4759895	2	ANGLE FIXING DASH TOP FRONT FRAME	
25	4759767	2	ANGLE FRONT GRILLE PIVOT TRANSIT	

Models: L4RE
FRONT
BSN: From BSN F30050210

Key	PartNumber	Qty	Description	Comment
-----	------------	-----	-------------	---------

DR. 04/02/03	BY TB	4761156	B
APP.	BY	FRT	REV

© BLUE BIRD RECY COMPANY. ALL RIGHTS RESERVED

Models: L4RE
FRONT
BSN: From BSN F30050210

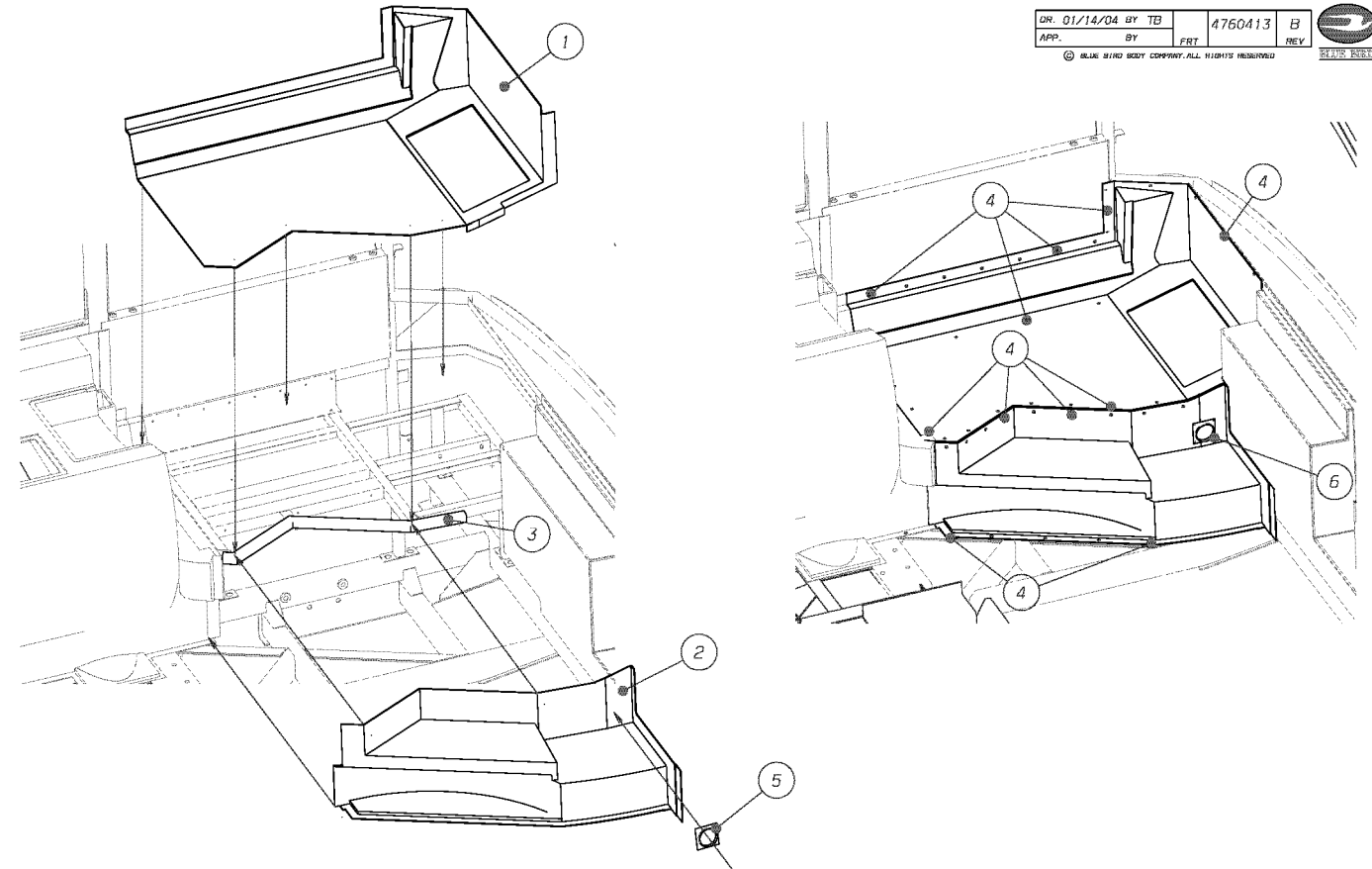
Key	PartNumber	Qty	Description	Comment
1	4761157		PILLAR,ASSY,FRONT,LH,L4RE	
2	4761158		PILLAR,ASSY,FRONT,RH,L4RE	
3	4761159		RAIL,WINDSCREEN,TOP,L4RE	
4	4761160		PANEL,CAB FRAME/CANT,RH,L4RE	
5	4761161		PANEL,CAB FRAME/CANT,LH,L4RE	
6	4761162	2	ANGLE,FRONT GRILLE,PIVOT,L4RE	
7	4761163	2	DIAGONAL,LOWER,CAB FRAME,L4RE	
8	4761164	2	RAIL,CAB QUARTER,L4RE	
9	4761165		SUPPORT,GRP,FRONT,TOP,L4RE	
10	4761166		RAIL,LOWER,CAB FRAME,L4RE	
11	4761167		WAIST,FRONT FRAME,ASSY,L4RE	
12	4761168		RAIL,HEADERBOX BTM,L4RE	
13	4761169		PLATE,GUSSET,WAIST RAIL,L4RE	
14	4761170		PLATE,GUSSET,WAIST RAIL,RH,L4RE	
15	4761171		BRACKET,WIPER MOTOR,MOUNTING,L4RE	
16	4761172		BRACKET,GLAZING RAIL,SUPPORT,RH,L4RE	
17	4761173		BRACKET,GLAZING RAIL,SUPPORT,LH,L4RE	
18	4761174		BRACKET,GLAZING RAIL,SUPPORT,CTRE,L4RE	
19	4761408		BRACKET,GRILLE,LATCH,RH,L4RE	
20	4761176		RAIL,HEADERBOX TOP,ASSY,L4RE	
21	4761177		RAIL,HEADERBOX,BOTTOM,L4RE	
22	4761178		PLATE,CAB,LH,MIRROR FIXING,L4RE	
23	4761179		BRACKET,ANGLE,BATTERY DOOR,L4RE	

Models: L4RE
FRONT
BSN: From BSN F30050210

Key	PartNumber	Qty	Description	Comment
24	4761180	2	ANGLE,DASH TOP,FIXING,CAB,L4RE	
25	4761175		BRACKET,GRILLE LATCH,LH,L4RE	
26	4761503	2	PLATE,SEALING,WAIST,FRONT FRAME,L4RE	
10	4759308	12	FASTENER,HUCK,.25,MAGNA-LOK,MGL100-R8-8	

Models: **L4RE
FRONT
DRIVER'S PLATFORM**

Key	PartNumber	Qty	Description	Comment
-----	------------	-----	-------------	---------

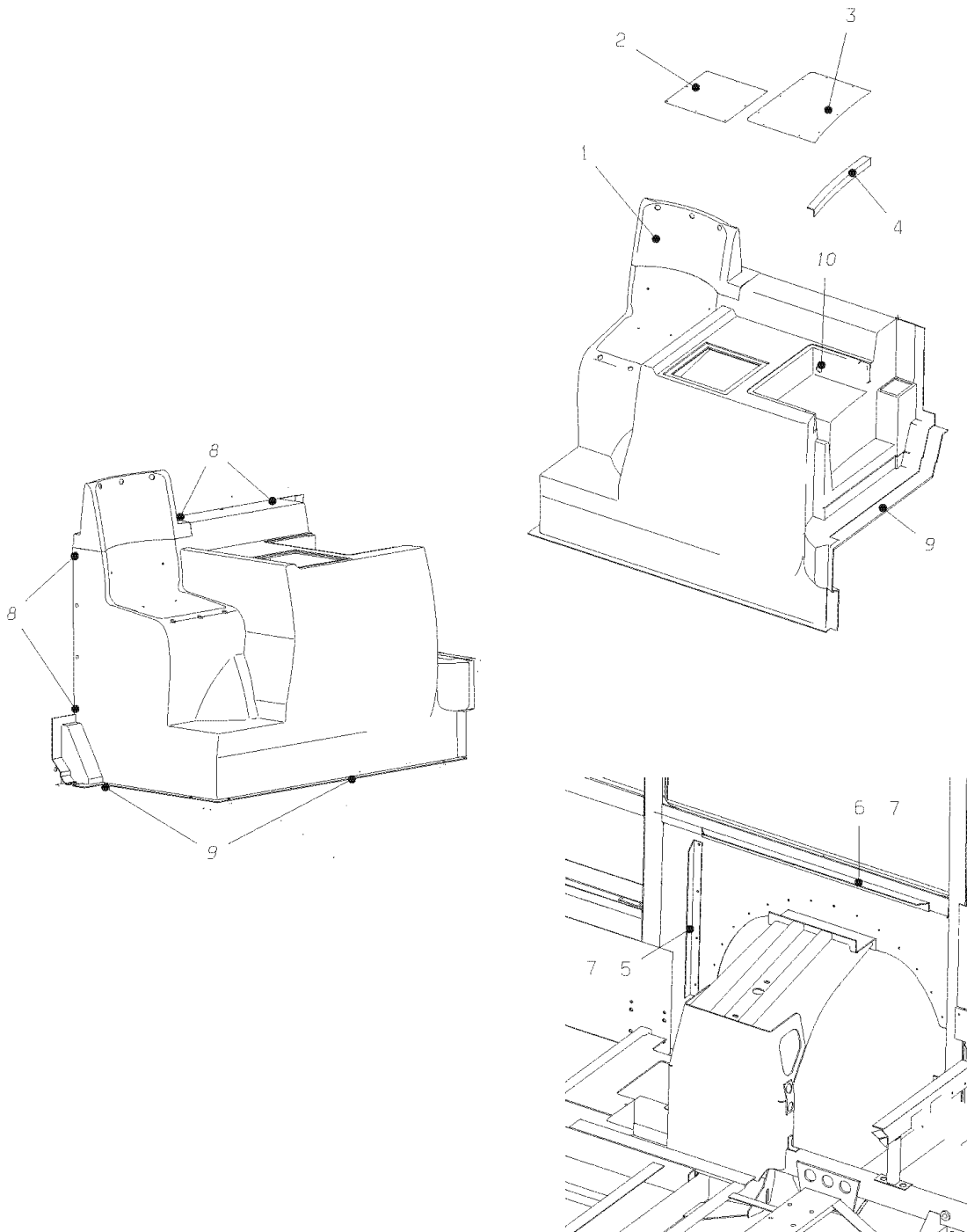


Models: L4RE
FRONT
DRIVER'S PLATFORM

Key	PartNumber	Qty	Description	Comment
1	4755468		PLATFORM DRIVERS LHD	
2	4760386		DRIVERS FLOOR,RISER ASSEMBLY	
3	4760284		SUPPORT ANGLE DRIVERS FLOOR	
4	4759308		FASTENER,HUCK,.25,MAGNA-LOK,MGL100-R8-8	
5	1226711		COLLAR,3IN AIR HOSE,SQUARE,W/O OFFSET	
6	4757114		RIVET POP 3.2MM ALUMINIUM PEEL BACK	

Models: L4RE
FRONT
FRONT WHEELARCH
LH

Key	PartNumber	Qty	Description	Comment
-----	------------	-----	-------------	---------

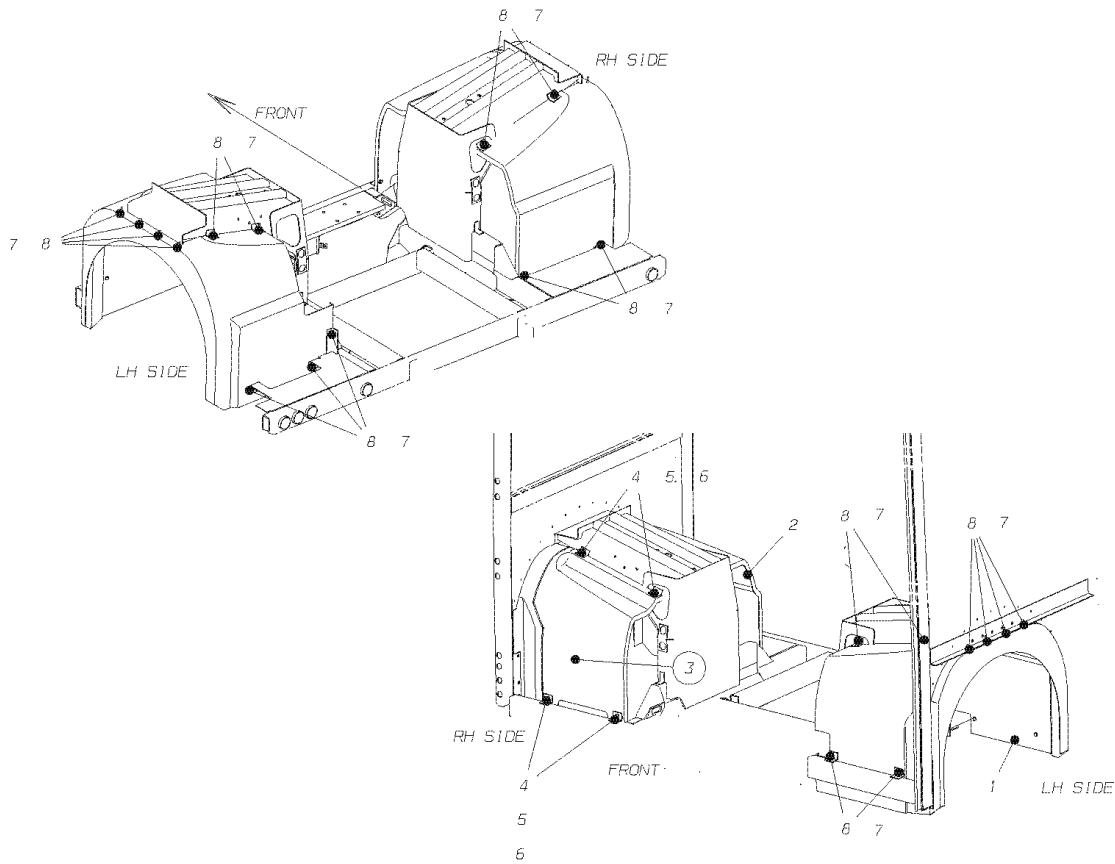


Models: **L4RE**
FRONT
FRONT WHEELARCH
LH

Key	PartNumber	Qty	Description	Comment
1	4761734	1	HOUSING,ASSY,WHEEL,FRONT LH	
2	4762479	1	PLATE,WHEEL,ARCH ACCESS LH	
3	4760701	1	COVER,ELECTRIC ACCESS,WHEELARCH,LH FRT	
4	4760702	1	RAIL,COVER SUPPORT,WHEELARCH,LH FRT	
5	4760461	1	ANGLE,FRT LH WHEELARCH MTG,TOP	
6	4760462	1	ANGLE,FRT LH WHEELARCH MTG,VERTICAL	
7	4759304	1	FASTENER,HUCK,.25,MAGNA-BULB,MBP-R8-M8	
8	0007614	10	FASTENER,HUCK,.25 BLIND,MAGNA-LOK,MGLP-	
9	4759308	8	FASTENER,HUCK,.25,MAGNA-LOK,MGL100-R8-8	
10	4761072	8	BUSHING,NYLON,1.000 HEYCO	

Models: **L4RE
FRONT
FRONT WHEELARCH
LINERS**

Key	PartNumber	Qty	Description	Comment
-----	------------	-----	-------------	---------

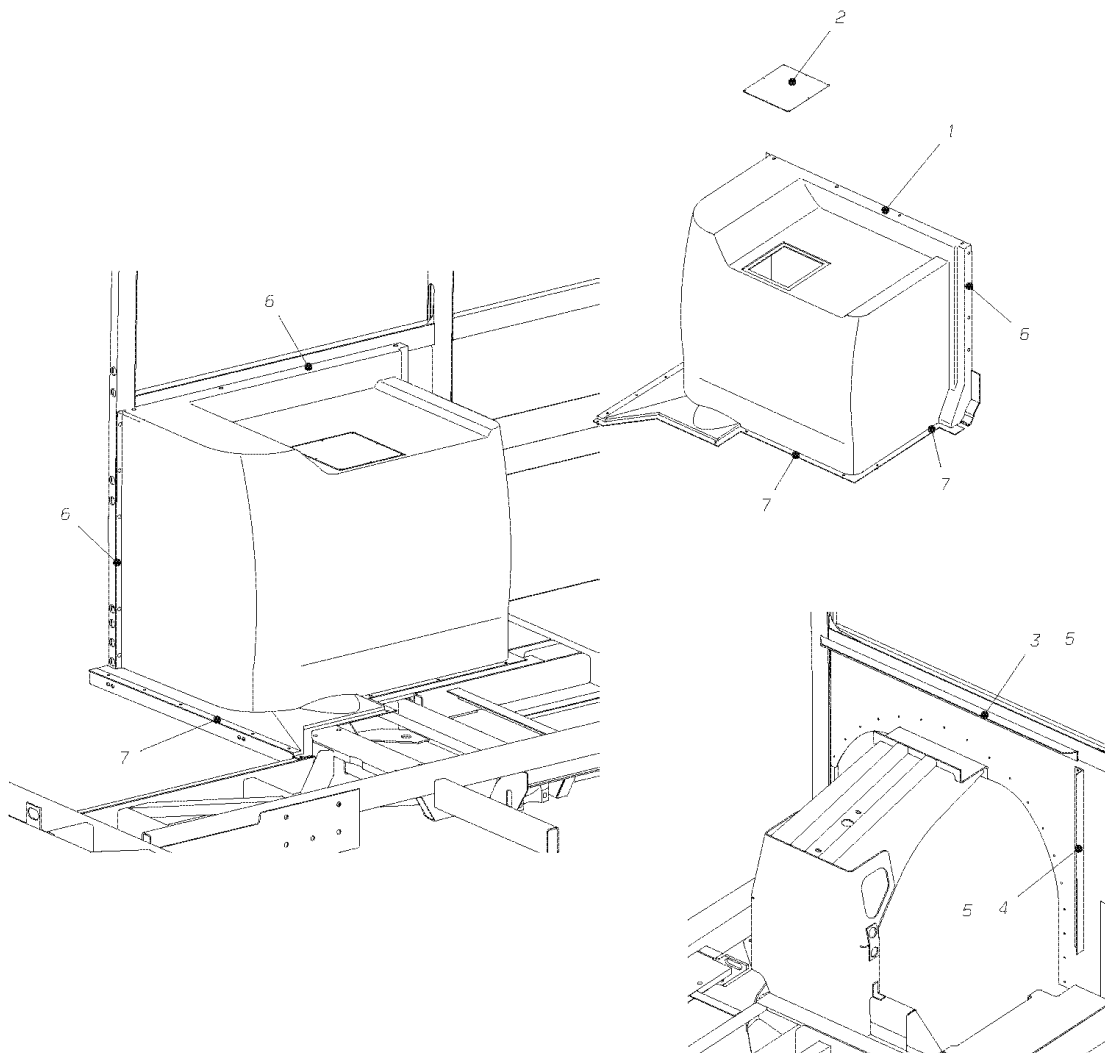


Models: **L4RE**
FRONT
FRONT WHEELARCH
LINERS

Key	PartNumber	Qty	Description	Comment
1	4759384		WHEELARCH INNER LH FRT	
2	4759385	1	WHEELARCH INNER RH FRT	
3	4759386	1	WHEELARCH INNER AIR TANK COVER	
4	4761496	1	THREAD INS,.31 UNC,AVDEL DLS-518-150	
5	0989145	4	CAPSCREW,HEX HD,5/16-18, X, 1, ,GR5,	
6	1078922	4	WASHER,FLAT,3/8 X 7/8 X 5/64,YEL ZN DICH	
7	1991108	4	WASHER,FLAT,17/64 ID X 3/4,YELLOW ZINC	
8	0007614	21	FASTENER,HUCK,.25 BLIND,MAGNA-LOK,MGLP-	

Models: L4RE
FRONT
FRONT WHEELARCH
RH

Key	PartNumber	Qty	Description	Comment
-----	------------	-----	-------------	---------




Models: L4RE
 FRONT
 FRONT WHEELARCH
 RH

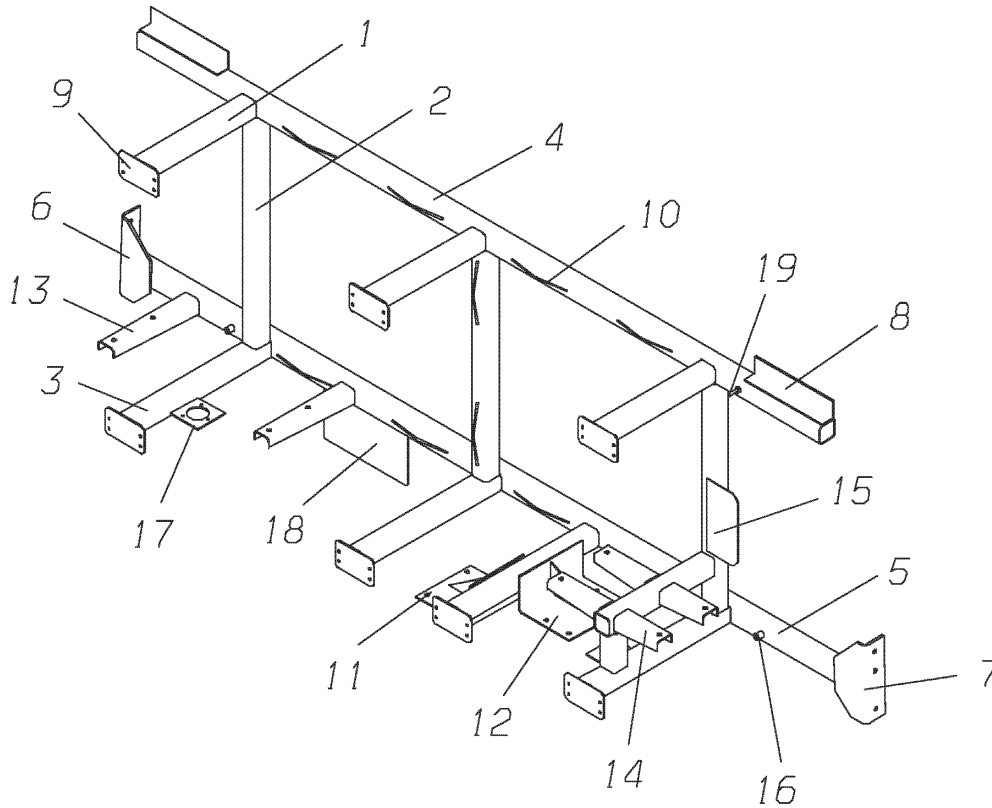
Key	PartNumber	Qty	Description	Comment
1	4761738	1	HOUSING,ASSY,WHEEL,FRONT RH	
2	4760432	1	COVER PANEL WHEELARCH ACCESS	
3	4760458	1	ANGLE WHEELARCH MOUNTING	
4	4760459	1	ANGLE WHEELARCH MOUNTING	
5	4759304	10	FASTENER,HUCK,.25,MAGNA-BULB,MBP-R8-M8	
6	0007614	14	FASTENER,HUCK,.25 BLIND,MAGNA-LOK,MGLP-	
7	4759308	13	FASTENER,HUCK,.25,MAGNA-LOK,MGL100-R8-8	

Models: **L4RE
REAR
FRAME, REAR SUPPORT ASSY**

Key	PartNumber	Qty	Description	Comment
-----	------------	-----	-------------	---------

DR. 08/19/02 BY TFM	4755512	A	
APP. BY FRT	REV		

© BLUE BIRD BODY COMPANY. ALL RIGHTS RESERVED

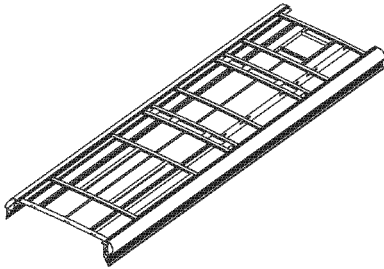



**Models: L4RE
REAR
FRAME, REAR SUPPORT ASSY**

Key	PartNumber	Qty	Description	Comment
1	4760005		BEAM 2 X 2 X 1/8 L14	
2	4760006		BEAM 2 X 2 X 1/8 L25.625	
3	4760007		BEAM 2 X 2 X 1/8 L17.75	
4	4760008		BEAM 2 X 2 X 1/8 L87.75	
5	4760009		BEAM 2 X 2 X 1/8 L96.625	
6	4760010		BRACKET LH REAR BULKHEAD FRAME MTG	
7	4760011		BRACKET RH REAR BULKHEAD FRAME MTG	
8	4760012		ANGLE 2 X 1 1/2 X 1/8 L10	
9	4760023		PLATE MOUNTING	
10	4760024		ROD CABLE MOUNTING	
11	4758740		BRACKET AIR CLEANER	
12	4758741		BRACKET HYDRAULIC TANK	
13	4758743		BRACKET EXHAUST MOUNTING	
14	4759603		BRACKET ASSY PREHEATER MTG	
15	4760129		PLATE HEAT SHIELD	
16	4758983		BOSS WELDED 5/16-18	
17	4760187		PLATE ENG BAY LIGHT MTG	
18	4760204		PLATE ENCLOSURE REAR CONTROL MTG	
19	2000156		CAPSCREW,HEX HD,5/16-24X 1,GR 5,YEL ZN	

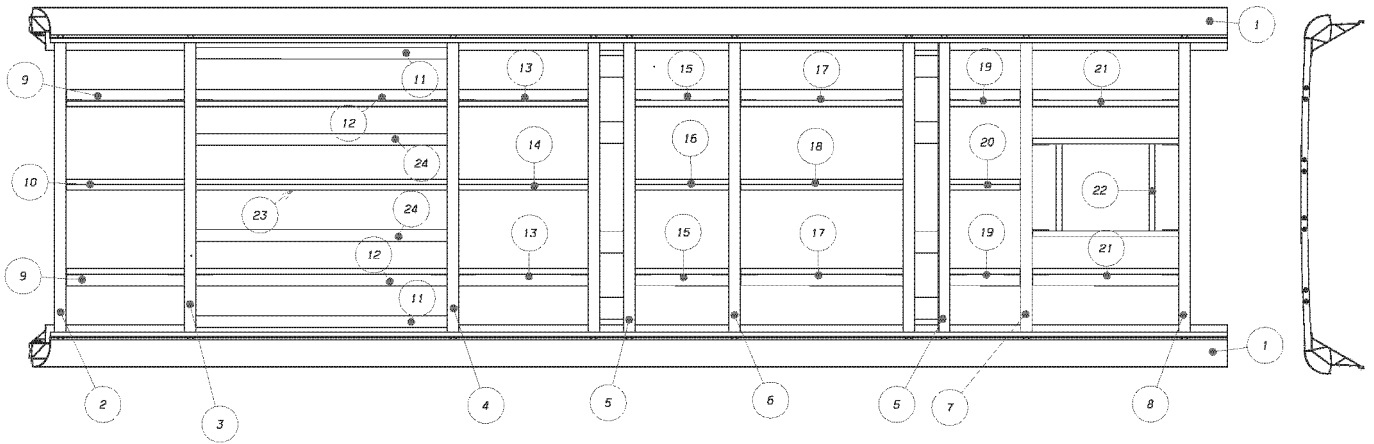
Models: L4RE
 ROOF
 CNG
 30' UNIT

Key	PartNumber	Qty	Description	Comment
-----	------------	-----	-------------	---------



DR. 05/20/05	BY TB	4760439	A	
APP.	BY	FRY	REV	

© BLUE BIRD BODY COMPANY, ALL RIGHTS RESERVED



**Models: L4RE
ROOF
CNG
30' UNIT**

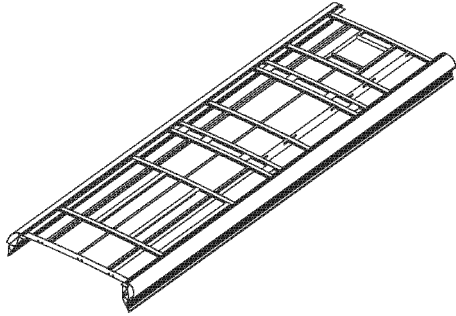
Key	PartNumber	Qty	Description	Comment
1	0060032		CANTRAIL ASSY,SET,30 FT, L4RE	
2	4755491		ROOFSTICK, ASSY FRONT	
3	4760515		BOW ASSY,ROOF,FRT,AC136, L4RE	
4	4760516		BOW ASSY,ROOF,RR,AC136, L4RE	
5	4760442		BOW ASSY,ROOF,CNG, L4RE	
6	4755490		ROOFSTICK ASSY MAIN	
7	4755493		ROOF STICK ASSY HATCH	
8	4755492		ROOFSTICK ASSY REAR	
9	4755552		RAIL Y 820MM NOM	
10	4755553		RAIL Z 820MM NOM	
11	4760553		SUPPORT ASSY,RAIL,AC136, L4RE	
12	4755555		RAIL Y 1740MM NOM	
13	4755554		RAIL Y 895MM NOM	
14	4755570		RAIL Z 895MM NOM	
15	4760514		RAIL,Y,650 NOM	
16	4760513		RAIL,Z,650 NOM	
17	4760512		RAIL,EXTRUDED,Y,1125MM, L4RE	
18	4760511		RAIL,EXTRUDED,Z,1125MM, L4RE	
19	4760510		RAIL,EXTRUDED,Y,489MM, L4RE	
20	4760509		RAIL,EXTRUDED,Z,489MM, L4RE	
21	4760210		RAIL,Y,1015 NOM	
22	4760446		FRAME ASSY,ROOF HATCH,CNG, L4RE	
23	4760484		RAIL,EXTRUDED,Z,1740MM, L4RE	

Models: L4RE
ROOF
CNG
30' UNIT

Key	PartNumber	Qty	Description	Comment
24	4761283		RAIL ASSY,ROOF,AC136 MTG,INNER	


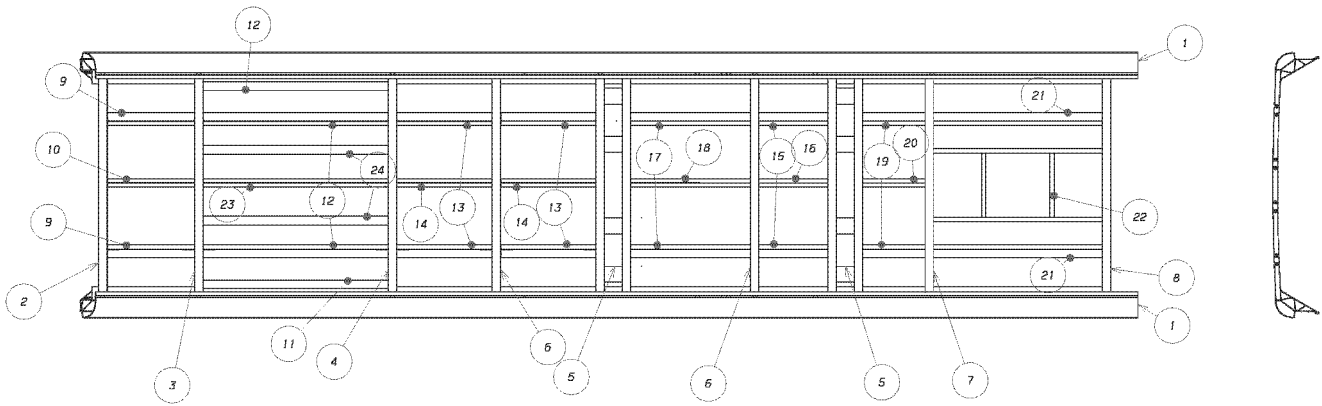
Models: L4RE
 ROOF
 CNG
 35' UNIT

Key	PartNumber	Qty	Description	Comment
-----	------------	-----	-------------	---------



DR. 05/20/05	BY: TB	4761271	A
APP.	BY: FBT	REV.	

© BLUE BIRD BODY COMPANY. ALL RIGHTS RESERVED

**Models: L4RE
ROOF
CNG
35' UNIT**

Key	PartNumber	Qty	Description	Comment
1	0060031		CANTRAIL ASSY,SET,35 FT, L4RE	
2	4755491		ROOFSTICK, ASSY FRONT	
3	4760515		BOW ASSY,ROOF,FRT,AC136, L4RE	
4	4760516		BOW ASSY,ROOF,RR,AC136, L4RE	
5	4760442		BOW ASSY,ROOF,CNG, L4RE	
6	4755490		ROOFSTICK ASSY MAIN	
7	4755493		ROOF STICK ASSY HATCH	
8	4755492		ROOFSTICK ASSY REAR	
9	4755552		RAIL Y 820MM NOM	
10	4755553		RAIL Z 820MM NOM	
11	4760553		SUPPORT ASSY,RAIL,AC136, L4RE	
12	4755555		RAIL Y 1740MM NOM	
13	4755554		RAIL Y 895MM NOM	
14	4755570		RAIL Z 895MM NOM	
15	4760514		RAIL,Y,650 NOM	
16	4760513		RAIL,Z,650 NOM	
17	4760512		RAIL,EXTRUDED,Y,1125MM, L4RE	
18	4760511		RAIL,EXTRUDED,Z,1125MM, L4RE	
19	4761274		RAIL Y,585 NOM	
20	4761273		RAIL Z,585 NOM	
21	4759626		RAIL Y 1584	
22	4752951		FRAME ROOF HATCH	
23	4760484		RAIL,EXTRUDED,Z,1740MM, L4RE	


Models: L4RE
ROOF
CNG
35' UNIT

Key	PartNumber	Qty	Description	Comment
24	4761283		RAIL ASSY,ROOF,AC136 MTG,INNER	

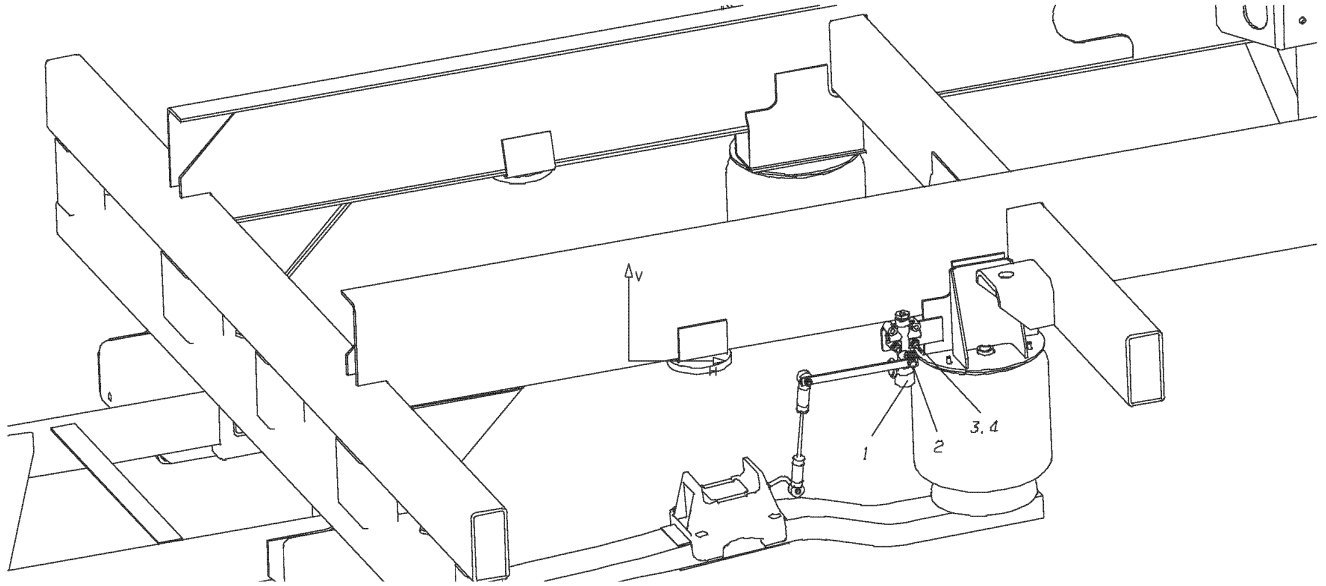
Models: **L4RE
ROOF
DIESEL
30' UNIT
To BSN F30056004**

Key	PartNumber	Qty	Description	Comment
-----	------------	-----	-------------	---------

4755523-2D

DR. 0-29-02	BY INC	4759333	0	 <small>© BLUE BIRD BODY COMPANY. ALL RIGHTS RESERVED</small>
APP.	BY	FRY	REV	

ME 1 APRIL 26, 2002 13.34.24

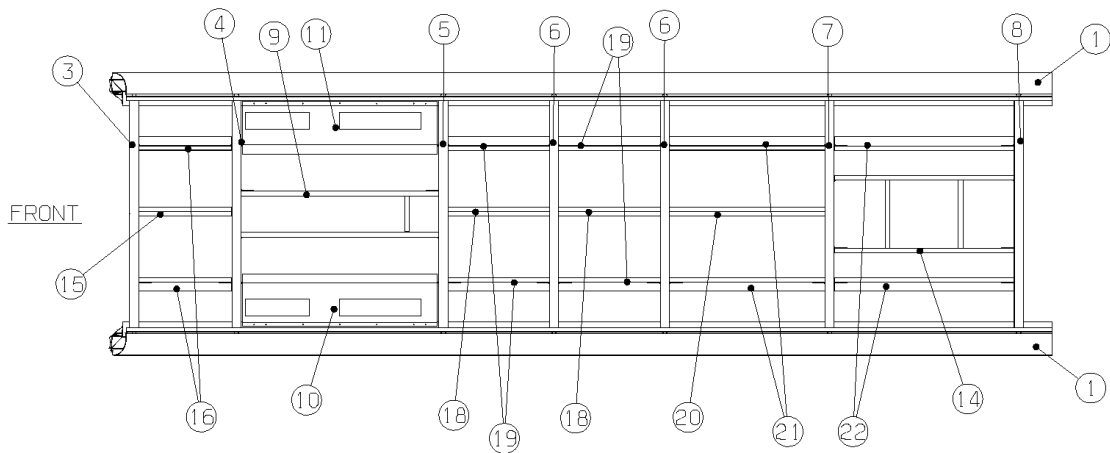
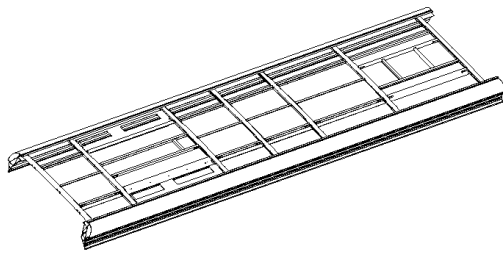


Models: **L4RE**
ROOF
DIESEL
30' UNIT
To BSN F30056004

Key	PartNumber	Qty	Description	Comment
1	0060032		CANTRAIL ASSY,SET,30 FT, L4RE	<i>TWO PIECE CANTRAIL</i>
2	0060032		CANTRAIL ASSY,SET,30 FT, L4RE	<i>TWO PIECE CANTRAIL</i>
3	4755491		ROOFSTICK, ASSY FRONT	
4	4755494		ROOFSTICK ASSY FRONT AC	
5	4755511		ROOFSTICK ASSY REAR AC	
6	4755490		ROOFSTICK ASSY MAIN	
7	4755493		ROOF STICK ASSY HATCH	
8	4755492		ROOFSTICK ASSY REAR	
9	4755484		FRAME AIRCON INLET	
10	4759299		PLATE ASSY AIR CON MOUNTING LH	
11	4759273		PLATE ASSY AIR CON MOUNTING RH	
14	4752951		FRAME ROOF HATCH	
15	4755553		RAIL Z 820MM NOM	
16	4755552		RAIL Y 820MM NOM	
18	4755570		RAIL Z 895MM NOM	
19	4755554		RAIL Y 895MM NOM	
20	4755551		RAIL Z 1370MM NOM	
21	4755550		RAIL Y 1370MM NOM	
22	4759626		RAIL Y 1584	

Models: L4RE
 ROOF
 DIESEL
 30' UNIT
BSN: From BSN F30056005

Key	PartNumber	Qty	Description	Comment
-----	------------	-----	-------------	---------

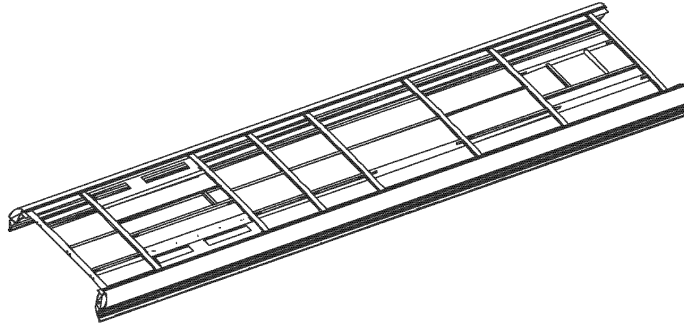


Models: L4RE
ROOF
DIESEL
30' UNIT
BSN: From BSN F30056005

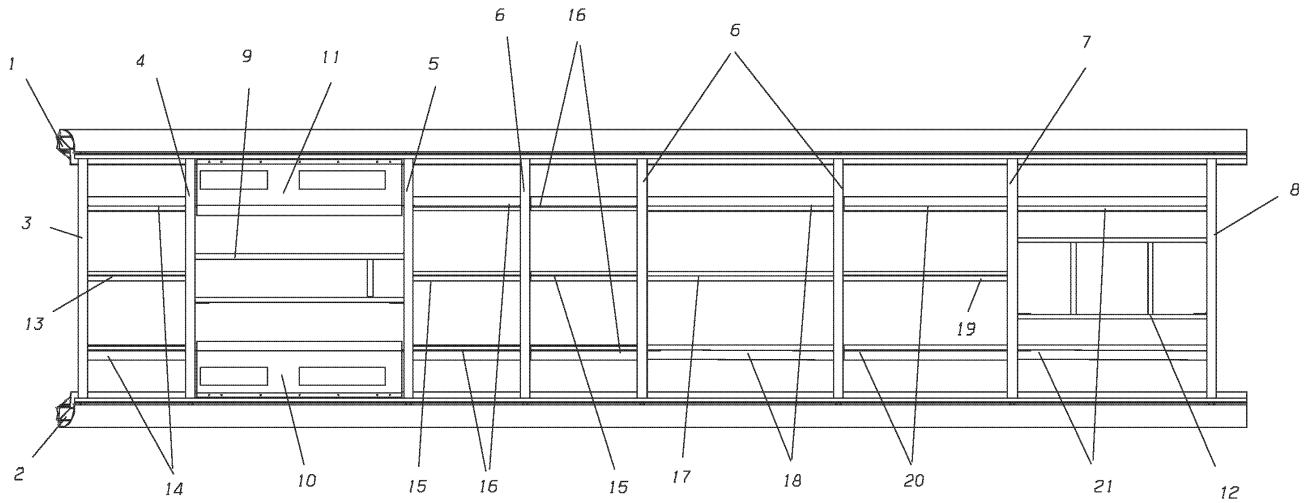
Key	PartNumber	Qty	Description	Comment
1	0060032		CANTRAIL ASSY,SET,30 FT, L4RE	<i>TWO PIECE CANTRAIL</i>
3	4755491		ROOFSTICK, ASSY FRONT	
4	4755494		ROOFSTICK ASSY FRONT AC	
5	4755511		ROOFSTICK ASSY REAR AC	
6	4755490		ROOFSTICK ASSY MAIN	
7	4755493		ROOF STICK ASSY HATCH	
8	4755492		ROOFSTICK ASSY REAR	
9	4755484		FRAME AIRCON INLET	
10	4759299		PLATE ASSY AIR CON MOUNTING LH	
11	4759273		PLATE ASSY AIR CON MOUNTING RH	
14	4752951		FRAME ROOF HATCH	
15	4755553		RAIL Z 820MM NOM	
16	4755552		RAIL Y 820MM NOM	
18	4755570		RAIL Z 895MM NOM	
19	4755554		RAIL Y 895MM NOM	
20	4755551		RAIL Z 1370MM NOM	
21	4755550		RAIL Y 1370MM NOM	
22	4759626		RAIL Y 1584	

Models: **L4RE
ROOF
DIESEL
35' UNIT
To BSN F30056004**

Key	PartNumber	Qty	Description	Comment
-----	------------	-----	-------------	---------



DR. 4-15-02	BY MC			
APP:	BY	FRT	4755547	REV
© BLUE BIRD BODY COMPANY, P.L.L. ALL RIGHTS RESERVED				

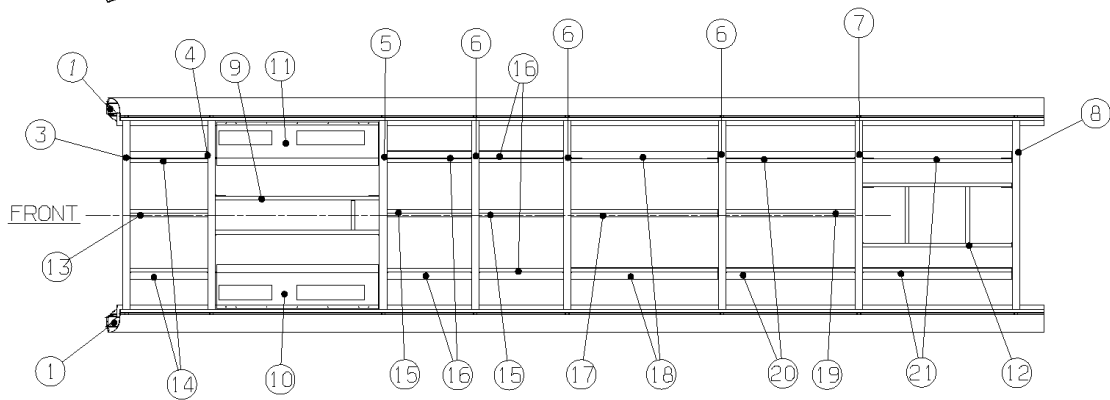
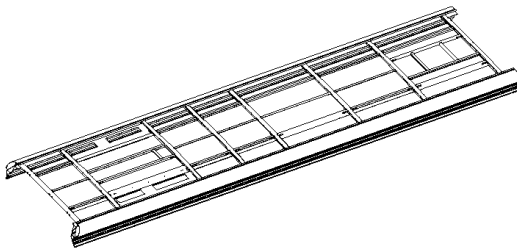


Models: L4RE
 ROOF
 DIESEL
 35' UNIT
 To BSN F30056004

Key	PartNumber	Qty	Description	Comment
1	0060031		CANTRAIL ASSY,SET,35 FT, L4RE	TWO PIECE CANTRAIL
2	0060031		CANTRAIL ASSY,SET,35 FT, L4RE	TWO PIECE CANTRAIL
3	4755491		ROOFSTICK, ASSY FRONT	
4	4755494		ROOFSTICK ASSY FRONT AC	
5	4755511		ROOFSTICK ASSY REAR AC	
6	4755490	3	ROOFSTICK ASSY MAIN	
7	4755493		ROOF STICK ASSY HATCH	
8	4755492		ROOFSTICK ASSY REAR	
9	4755484		FRAME AIRCON INLET	
10	4759299		PLATE ASSY AIR CON MOUNTING LH	
11	4759273		PLATE ASSY AIR CON MOUNTING RH	
12	4752951		FRAME ROOF HATCH	
13	4755553		RAIL Z 820MM NOM	
14	4755552	2	RAIL Y 820MM NOM	
15	4755570	2	RAIL Z 895MM NOM	
16	4755554	4	RAIL Y 895MM NOM	
17	4759632		RAIL Z 1560	
18	4759625	2	RAIL Y 1560	
19	4755551		RAIL Z 1370MM NOM	
20	4755550	2	RAIL Y 1370MM NOM	
21	4759626	2	RAIL Y 1584	

Models: L4RE
ROOF
DIESEL
35' UNIT
BSN: From BSN F30056005

Key	PartNumber	Qty	Description	Comment
-----	------------	-----	-------------	---------



Models: L4RE
ROOF
DIESEL
35' UNIT
BSN: From BSN F30056005

Key	PartNumber	Qty	Description	Comment
1	0060031		CANTRAIL ASSY,SET,35 FT, L4RE	
3	4755491		ROOFSTICK, ASSY FRONT	
4	4755494		ROOFSTICK ASSY FRONT AC	
5	4755511		ROOFSTICK ASSY REAR AC	
6	4755490	3	ROOFSTICK ASSY MAIN	
7	4755493		ROOF STICK ASSY HATCH	
8	4755492		ROOFSTICK ASSY REAR	
9	4755484		FRAME AIRCON INLET	
10	4759299		PLATE ASSY AIR CON MOUNTING LH	
11	4759273		PLATE ASSY AIR CON MOUNTING RH	
12	4752951		FRAME ROOF HATCH	
13	4755553		RAIL Z 820MM NOM	
14	4755552	2	RAIL Y 820MM NOM	
15	4755570	2	RAIL Z 895MM NOM	
16	4755554	4	RAIL Y 895MM NOM	
17	4759632		RAIL Z 1560	
18	4759625	2	RAIL Y 1560	
19	4755551		RAIL Z 1370MM NOM	
20	4755550	2	RAIL Y 1370MM NOM	
21	4759626	2	RAIL Y 1584	